

Futura Series  
Slimline Fully Integrated Dishwasher

DIMENSION SLIMLINE G 4760 SCVi





### Features:

- Cutlery tray
- Slimline design
- AutoSensor technology
- 6 wash programs
- Perfect GlassCare system
- China & Crystal program
- Water softening unit
- ADA compliant
- 46 dBA
- 10 place settings

### SPECIFICATIONS

G 4760 SCVi - Item 21476062USA

Overall Unit Width	17 <sup>5</sup> / <sub>8</sub> " (448mm)
Overall Unit Height	32 <sup>1</sup> / <sub>16</sub> " - 34 <sup>2</sup> / <sub>3</sub> " (814 - 880mm)
Overall Unit Depth	22 <sup>7</sup> / <sub>16</sub> " (570mm)

### Niche

Cabinet Opening Width	17 <sup>11</sup> / <sub>16</sub> " (450mm)
Minimum Cabinet Opening Height	32 <sup>1</sup> / <sub>8</sub> " (816mm)
Minimum Cabinet Opening Depth	22 <sup>7</sup> / <sub>16</sub> " (570mm)

### Plumbing

Water Supply Requirements	May be connected to a cold or hot water supply up to a maximum of 140°F/60°C. Must be connected to a shut-off valve with a 3/4" GHT. The water shut-off valve must be accessible after installation. The water pressure must be between 4.35 psi (0.3 bar) and may not exceed 145 psi (10 bar). If the pressure is higher than 145 psi (10 bar), a pressure reducing valve must be installed. Please see additional information for mounting of the water proof box.
---------------------------	--

Water Connection Line	4' 11" (1.5m) flexible water intake hose is supplied with a 3/4 GHT connection.
Drain Hose	4' 11" (1.5m) flexible drain hose is supplied.

### Electrical

Electrical Requirements - Volts/Amps	110V / 120V, 60Hz, 15 Amps
Power Cord - Plug and length	Yes - NEMA 5-15 plug, 4' (1.2m), Convertible to Hardwire

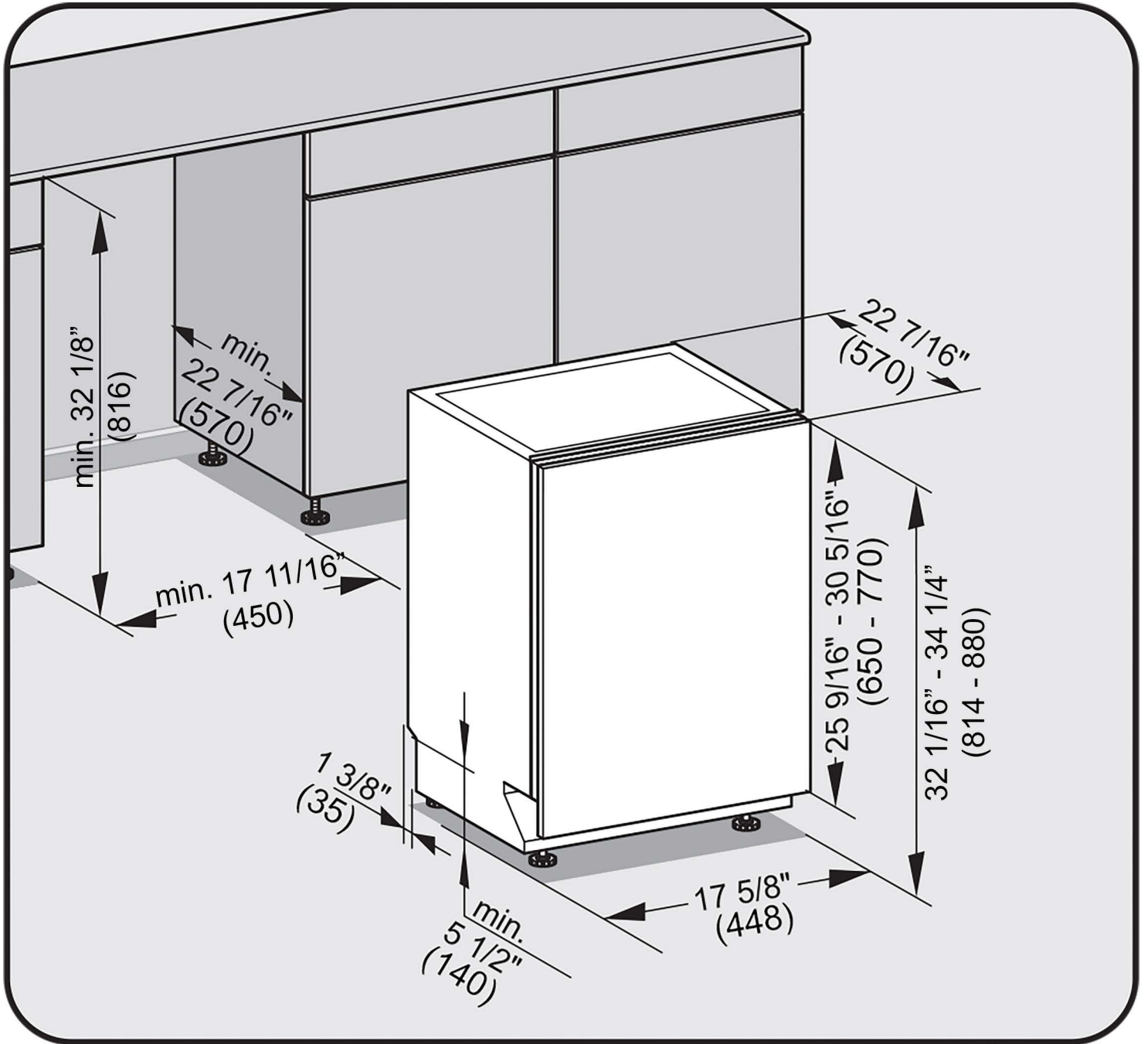
### Shipping

Shipping Weight	107 lbs (48.5 kg)
-----------------	-------------------

### Support

Call Miele	800.843.7231
Miele Website	🌐www.mieleusa.com
20/20 Link	🌐2020technologies.com

INSTALLATION SPECIFICATIONS



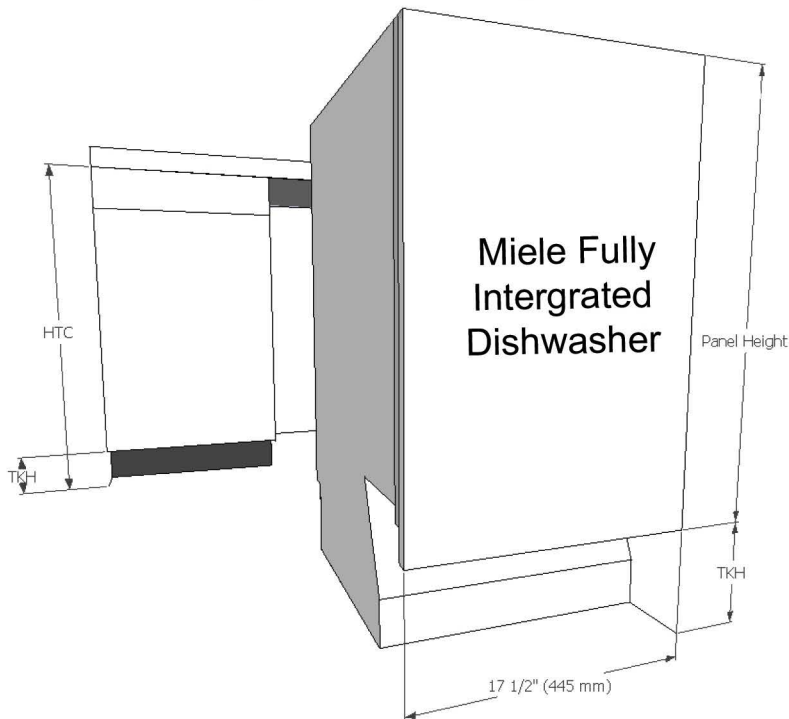
# Futura Series

## Slimline Fully Integrated Dishwasher



### Custom Panel Installation

Some Miele dishwashers do not come equipped with a front panel. These dishwashers are designed to accept a custom door panel supplied by the cabinet maker. Miele has a unique panel integration system which allows the dishwasher to align with the surrounding cabinets.



- Width:** 17 1/2" (445 mm) in all cases
- Thickness:** 3/4" (19 mm) in all cases
- Height:** Determined using the following calculation:  
**Panel Height = HTC – TKH**

**HTC** = Height to the underside of countertop  
**TKH** = Toe kick height

**Note:** Control panel is along the top edge of the unit. It is not visible when the unit is closed. A handle **MUST** be located on front of panel in order to open unit.

- Maximum panel height:** 30 5/16" (770 mm)
- Minimum panel height:** 25 9/16" (650 mm)
- Maximum panel weight:** 21 Pounds (9.5 kg)

### GDU Kit Installations

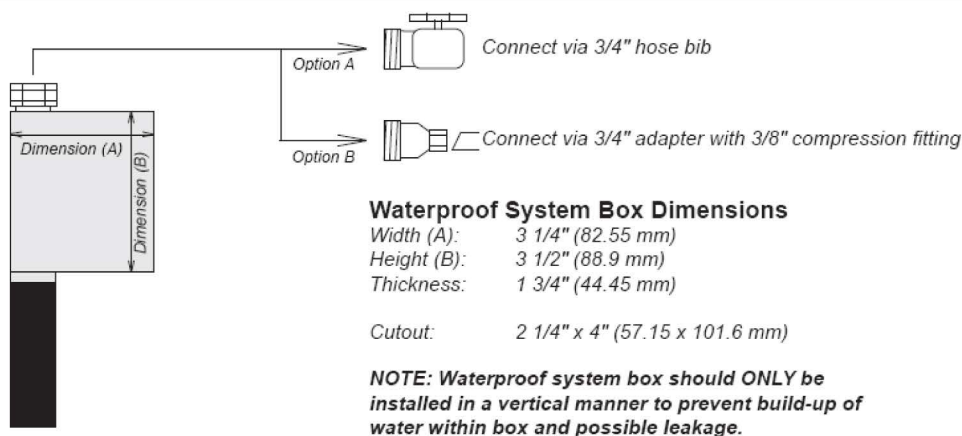
Miele offers pre-fabricated panels for all integrated units called GDU kits. These panels are designed for various toe-kick heights and include a black plastic toe kick cover. See Miele Product Brochure for more info.

Height to underside of countertop

	32 1/2	33	33 1/2	34	34 1/2	35	35 1/2	36	36 1/2
2 1/2									
3									
3 1/2									
4									
4 1/2									
5									
5 1/2									
6									
6 1/2									
7									
7 1/2									
8									
8 1/2									
9									

- Acceptable combinations
- Typical American installation
- With extension feet

### Water Connection



### Waterproof System

Temperature: 110° - 140° F (43° - 60° C)  
 Pressure: 4.35 - 145 psi (0.3 - 10 bar)  
 Drain hose: 7/8" ID - 5 ft (1.5 m) long