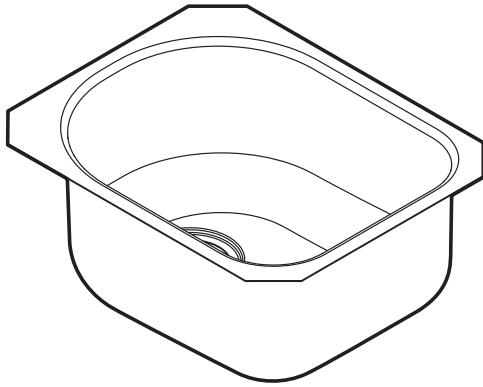




Buy it for looks. Buy it for life.®



**SINK DESCRIPTION**

- 18 gauge stainless steel
- 1800 series undermount bar sink
- Rear drain location
- Mounting brackets included, other standard mounting hardware and silicone sealant not included
- SoundSHIELD sound absorbing system

**CUT OUT DIMENSIONS**

- Cut out template available to download at moen.com
- Template included - template number 22514

**STANDARDS**

- Third party certified by IAPMO to meet ASME A112.19.3/CSA B45.4 and all applicable specifications referenced

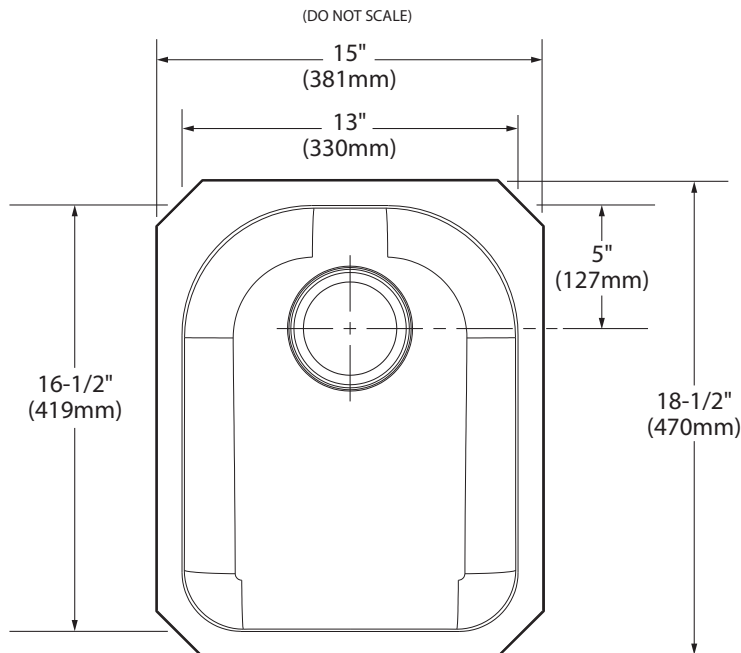
**WARRANTY**

- Limited lifetime warranty against material or manufacturing defects to the original consumer purchaser

# Specifications

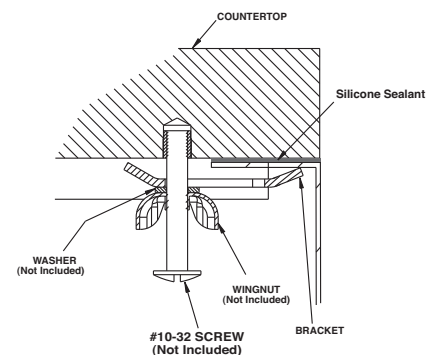
Model Number	Depth-Inches	Drain Placement	Model Specified
G18461	8	Rear	

**CRITICAL DIMENSIONS**



**MADE IN THE USA**

**Installation Detail**



FOR MORE INFORMATION CALL: 1-800-BUY-MOEN

www.moen.com