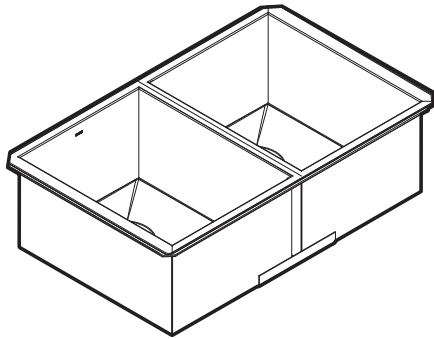




Buy it for looks. Buy it for life.®



Specifications

Model Number	Depth-Inches	Drain Placement	Model Specified
G18288	8.5	Rear	

SINK DESCRIPTION

- 18 gauge stainless steel
- 1800 series double bowl undermount sink
- Rear drain location
- Mounting brackets included, other standard mounting hardware and silicone sealant not included
- SoundSHIELD sound absorbing system

CUT OUT DIMENSIONS

- Cut out template available to download at moen.com
- Template included - template number 22518

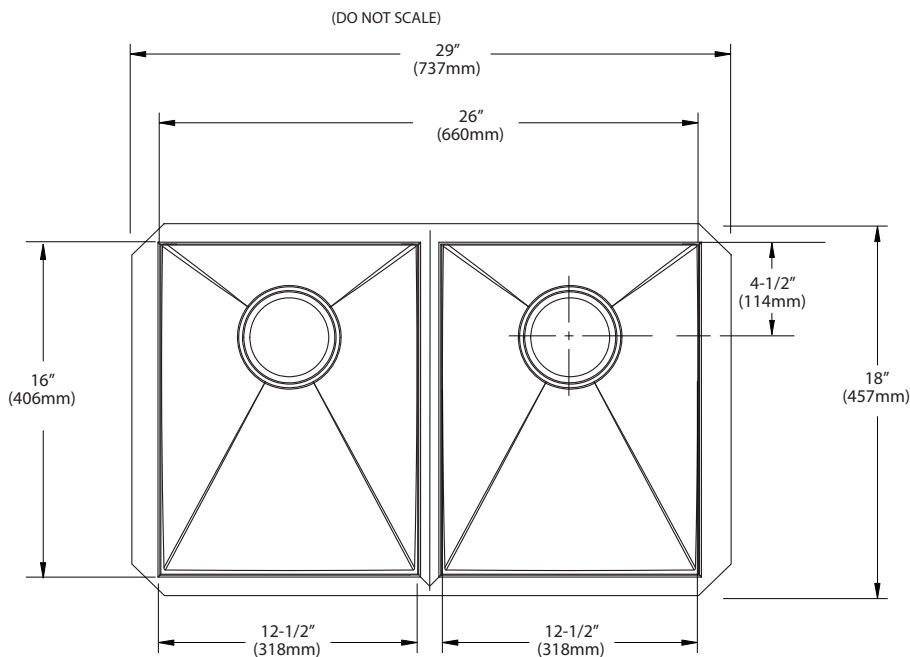
STANDARDS

- Third party certified by IAPMO to meet ASME A112.19.3/CSA B45.4 and all applicable specifications referenced

WARRANTY

- Limited lifetime warranty against material or manufacturing defects to the original consumer purchaser

CRITICAL DIMENSIONS



MADE IN THE **USA**

Installation Detail

