



Register your new Bosch now:
www.bosch-home.com/welcome



B18IF800SP
B30IR800SP



BOSCH

en Installation instructions
fr Instructions d'installation

es Instrucciones de instalación

en Table of Contents	3
fr Table des matières	29
es Índice	55

en Table of Contents


Important Safety Instructions	4
IMPORTANT	4
General	4
Definition	4
Installation options	5
Individual appliance	5
Side-by-Side.....	5
Individual appliances with partition	5
Individual appliance at the end of the kitchen.....	5
Installation	6
Installation room	6
Climatic classes.....	6
Stable installation	6
Installation niche.....	6
Furniture	6
Floor	6
Aligning the appliance.....	6
Connecting the power	7
Connecting the water	7
Dimensions of the installation niche	8
Required accessories and tools	9
Supplied accessories	9
Optional accessories	9
Other required accessories	9
Miscellaneous	9
Tools	9
Installation instructions	10
1. Checking the installation niche	10
2. Removing the packaging	10
3. Transport of the appliance	11
4. Installation preparation	11
5. Special installation	11

A	1. Attaching the anti-tip-brackets	12
	2. Attaching an alternative anti-tip device ..	13
	3. Attaching an edge protection	13

B	1. Pushing the appliance into the installation niche	14
	2. Aligning the appliance in the installation niche	15
	3. Attaching the appliance to the installation niche.....	16

C	1. Attaching the toe kick panel	17
	2. Aligning the base panel	17
	3. Switching the appliance ON	18
	4. Preparing the door panels	18
	5. Loading the appliance door	18
	6. Removing the installation support part .	18
	7. Attaching the adjusting rail to the door panel	18
	8. Attaching the fixation strips to the door panel	19
	9. Attaching the door panel	20
	10. Attaching the lower bracket	21
	11. Attaching the strips	22
	12. Mounting the air separator	22
	13. Adjusting the door spring	22

Special installation..... 23

	Changing over the door hinges.....	23
	Removing/changing over the sealing mat ...	26
	Side-by-Side installation	26
	Preparing to connect the water	28
	Connecting the water to the appliance	28
Adjusting the door opening angle.....	28	

Important Safety Instructions

READ AND SAVE THESE INSTRUCTIONS!

These mounting instructions are designed to help you install your new appliance.

The manufacturer cannot be held liable for mounting which has been improperly carried out. We recommend that you allow a qualified specialist to set up and switch the appliance on for the first time.

Following all information and keeping to the instructions are preconditions for mounting and switching the appliance on safely for the first time.

Keep the mounting instructions safe for use later on.

Before setting up and switching the appliance on for the first time, read the mounting instructions fully and thoroughly.



WARNING:

These appliances are top-heavy and must be secured to prevent the possibility of tipping forward.

Anti-tip protection is required.

Keep doors closed until the appliance is completely installed and secured per installation instructions.

Due to the weight and size of this appliance, and to reduce the risk of personal injury or damage to the product – TWO PEOPLE ARE REQUIRED FOR PROPER INSTALLATION.

This appliance must be properly grounded. See chapter “Connecting the power”.

Use this appliance only for its intended purpose.

Immediately repair or replace electric service cords that become frayed or damaged.

Unplug the appliance or switch off the fuse before cleaning or making repairs.

Repairs should be made by a qualified service technician.



CAUTION:

Installation of this appliance requires basic mechanical, carpentry and plumbing skills.

Proper installation is the responsibility of the installer.

Product failure due to improper installation is not covered under the Appliance Warranty.

See the Owner's Manual for warranty information.

IMPORTANT

Save these instructions for local inspector's use.

Observe all governing codes and ordinances.

Note to Installer – Be sure to leave these instructions with the Consumer.

Note to Consumer – Keep these instructions with your Owner's Manual for future reference.

General

These installation instructions are intended for use by qualified installers. All connections for water, electrical power and grounding must comply with local codes and ordinances and be made by licensed personnel when required. In the absence of a local code:

- In the U.S.A., in accordance with the National Electric Code, ANSI/NFPA70 – latest edition/State and Municipal codes and/or local codes.
- In Canada, in accordance with the Canadian Electric Code C22.1 – latest edition/Provincial and Municipal codes and/or local codes.

Note:

This is used to draw the user's attention to something in particular.

Definition



WARNING:

This indicates that serious injury or death may result due to non-observance of this warning.



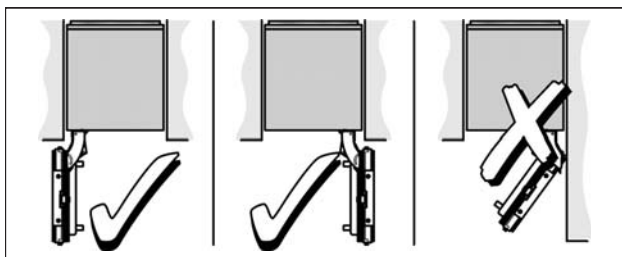
CAUTION:

This indicates that minor or moderately severe injury may result due to non-observance of this warning.

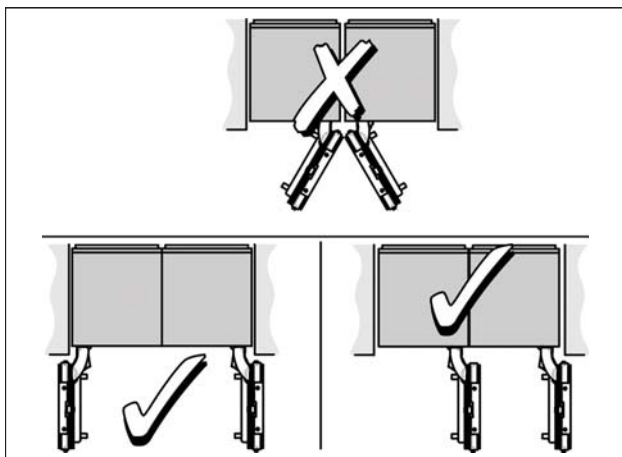
Installation options

There are many different installation options. These are limited only by the design of the kitchen. See also "Kitchen Design Quick Reference".

Individual appliance

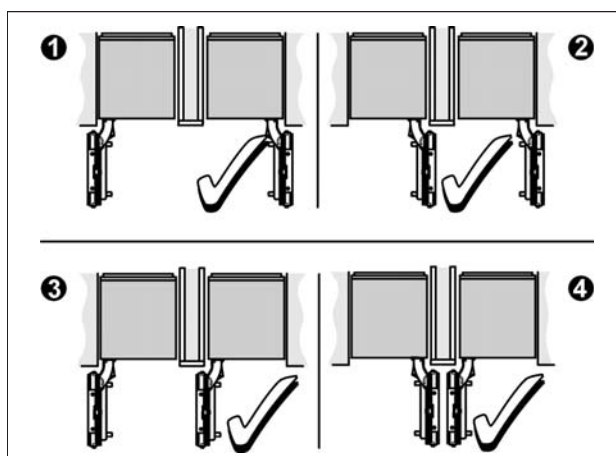


Side-by-Side



If two appliances are set up next to each other, a sealing kit for Side-by-Side combination should be used in order to guarantee a stable connection. For further information see chapter "Required accessories and tools".

Individual appliances with partition



- When dimensioning the partition for model 4, note the thickness of the door panels to prevent damage if the doors are opened at the same time.
- Use the Heater Kit for Side-by-Side Installation if the gap between the appliances is less than 6" (160 mm).
- See chapter "Required accessories and tools", section "Optional accessories".
- Minimum thickness of the partition $\frac{5}{8}$ " (16 mm).

Individual appliance at the end of the kitchen

If one side of the appliance is visible, a side panel must be used.

The side panel must be connected firmly to the wall, the floor and overhead cabinet/fixtures before the appliance is placed in the installation niche.

The dimensions of the side panel are taken from the opposite installation niche wall. During installation ensure that the installation niche is square and the proper size.

Installation



WARNING:

Do not install the appliance:

- outdoors,
- in an environment with dripping water,
- in rooms which are less than 32 °F (0 °C).
- A fully-loaded appliance is very heavy.

Refrigerator 30"	approx. 1110 lbs/500 kg
Freezer 18"	approx. 560 lbs/250 kg

Installation room

The appliance should be installed in a dry, well ventilated space.

The location should not be exposed to the direct sunlight and should not lie next to a source of heat such as a cooker or a radiator etc. If installation next to a source of heat cannot be avoided, either a suitable insulating plate should be used or you should keep to the following minimum distances:

- 1 1/4" (3 cm) to electric or gas cookers.
- 12" (30 cm) to an oil or coal-fired cooker.

The floor of the installation location must not give way; if required, reinforce floor. To ensure that the ice maker functions correctly, the appliance must be upright.

Climatic classes

The climate class can be found on the rating plate. The climate class indicates within which ambient temperatures the appliance can be operated.

Climatic class	Permitted ambient temperature
SN	50 °F to 90 °F (+10 °C to 32 °C)
N	61 °F to 90 °F (+16 °C to 32 °C)
ST	61 °F to 100 °F (+16 °C to 38 °C)
T	61 °F to 110 °F (+16 °C to 43 °C)

Stable installation

The appliance is very heavy and has a tendency to tilt forwards when the appliance door is opened.

The appliance must not be switched on until there is no possibility of the appliance tilting over.

The safest method of installing the appliance in a stable position is to use the supplied anti-tilt brackets.

If the installation niche is adequately stable and the appliance can be attached securely to the upper and side walls of the niche, it may be possible to dispense with the anti-tilt brackets. A prerequisite for this is always a firm connection between the niche and back wall!

In the case of doubt, the help of architect or specialist builder should be enlisted.

Installation niche

It is important to keep to the stated dimensions of the installation niche with a view to trouble-free fitting, and the subsequent appearance of the kitchen furniture frontage.

Special care should be taken that the niche has right angles. The side walls should not exhibit areas that stick out, projections or unevenness.

You should determine the right angles of the installation niche with appropriate means, e.g. by measuring diagonally and by using a spirit level.

The side walls and the upper end of the installation niche must be at least 5/8" (16 mm) thick.

Furniture

The new appliance is screwed down tightly using parts of the cabinet and the upper cabinet.

Care should therefore be taken, that all upper cabinets to which something has been fastened are securely connected to the subsurface or wall by appropriate means.

The minimum thickness of the base should be a minimum of 3/4" (19 mm).

Floor

The subsurface must be level and even in order to ensure that the appliance is securely installed and works correctly.

The subsurface must be made from a hard, non-flexible material.

The floor of the installation space must have the same height as the rest of the space.

On account of the weight of a fully-laden appliance, it is necessary to have a bearing subsurface. In the case of doubt, the help of architect or specialist builder should be enlisted.

Aligning the appliance

To ensure that the appliance functions correctly, it must be levelled properly.

If the appliance is not level, water may flow out of the ice maker, ice cubes may be irregular or the doors may not close properly.

Connecting the power

WARNING:

- Avoid the risk of an electric shock!
- Insert into a grounded 3-phase socket. Never remove grounding phase. Do not use any adapters. Do not use any extension cables.
- Non-compliance with these instructions may result in death, fire or an electric shock. Improper connection of the protective conductor may result in an electric shock. If you are in doubt whether the appliance has been grounded properly, have the appliance tested by a qualified electrician or service technician.

The socket must be near the appliance and also freely accessible following installation of the appliance.

The appliance complies with protection class I.

Connect the appliance to 115 V/60 Hz alternating current via a correctly installed socket with protective conductor. The socket must be fused with a 10 to 16 A fuse.

The appliance comes with a UL registered 3-wire power cord. The appliance requires a 3-pole socket. Please observe the following table with regard to this:

Appliance	Maximum Simultaneous Load
Refrigerator 30"	2.0 Ampere
Freezer 18" (*)	3.5 Ampere

(*) incl. Ice Maker

Check on the rating plate whether the indicated voltage and current type correspond with the values of your power supply. The location of the rating plate can be found in the chapter "Customer service".

WARNING:

Never connect the appliance to electronic energy saver plugs. Our appliances can be used with mains and sine-controlled inverters. Mains-controlled inverters are used for photovoltaic systems which are connected directly to the national grid. Sine-controlled inverters must be used for isolated applications (e.g. on ships or in mountain lodges) which are not connected directly to the national grid.

Connecting the water

CAUTION:

Only connect the appliance to drinking water!

The water may be connected only by a competent fitter according to the local regulations of the appropriate water supply company.

A cold water connection is necessary for operating the automatic ice maker. The water pressure must be between 25 and 120 p.s.i. (1,72 and 8,25 bar).

The installation must correspond to the local plumbing regulations.

A separate shut-off valve should be installed in the cold water inflow. The shut-off valve should not be located behind the appliance. It is recommended that you mount the shut-off valve directly next to the appliance or at another place which is easily accessible. When installing the water connection, pay attention to the permissible installation area for the water mains.

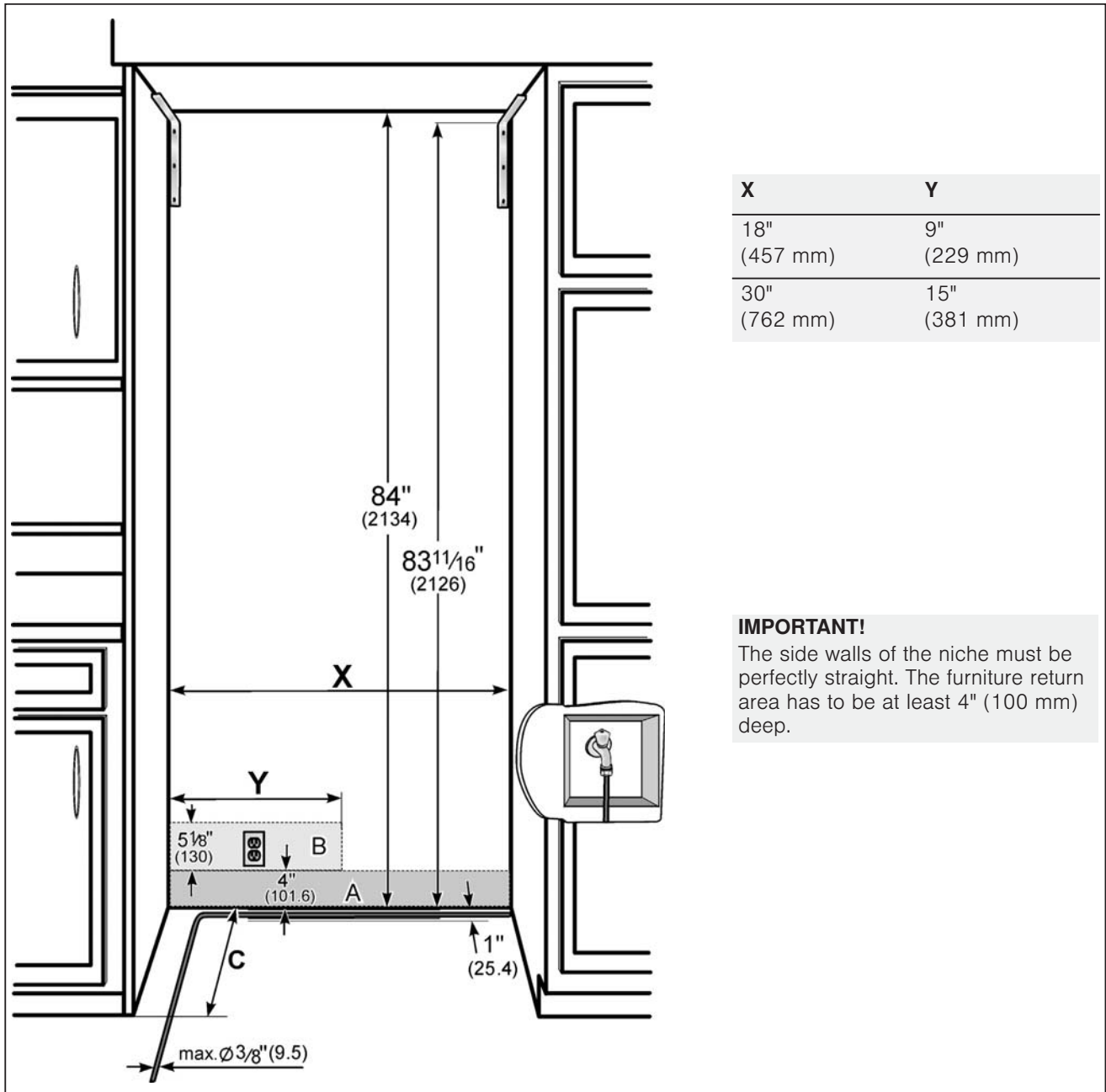
For connection to the drinking water mains use only water pipes which are suitable for drinking water.

Observe national regulations and the connection conditions of the local water supply companies.

When installing the water connection, observe the permitted installation areas for the pipe. For the permitted installation areas and dimensions see "Dimensions of the installation niche".

Maximum outer diameter of the water pipe (without fittings): $\frac{3}{8}$ " (9.5 mm).

Dimensions of the installation niche



Legend:

- A** Area for installation of the water connection
It is recommended the water-box be placed adjacent to the installation niche, so that it can be accessed for service without uninstalling the appliance. If this is not possible, place the recessed water box within the shaded area.
- B** Area for installation of the power connection
- C** Opening depth of niche, depending on kitchen design
C = 24" (610 mm) minimum

Required accessories and tools

Supplied accessories

- Installation instructions
- Operating instructions
- Installation kit

Optional accessories

Freedom Heater Kit for Side-by-Side Installation HEATKITB80

If the gap between the appliances is less than 6" (160 mm).

Other required accessories

Ice maker installation kit 1/4" OD copper line

For connecting appliances which require water, e.g. for an ice maker.

Maximum outer diameter of the water pipe (without fittings): 3/8" (9.5 mm).

Miscellaneous

- Stepladder
- Dolly, hand truck
- Hammer drill for drilling holes in wall or floor
- Bits according suitable for material and in different sizes
- Wooden beam (cross section min. 3" x 4") as an alternative tip protection, length according to the width of the installation niche
- Wooden screws in different sizes
- Thin plywood sheet, particle board or cardboard to protect the floor from damage
- Suitable material for covering and protecting furniture (e.g. protective sheets)
- Adhesive tape

Note:

Before using, check whether the removed adhesive tape leaves adhesive residue on the work surfaces! Otherwise do not use on high-quality work surfaces.

Tools



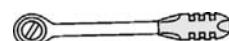
Cordless screwdriver



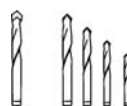
Torx bit T20 / T30 + magnetic holder



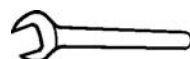
Torx screwdriver T20



5/16" (8 mm) hex nut driver



Wood drills in different sizes



Open end wrench 1/2" (SW 13 mm)



Multigrip pliers



Adjustable wrench



Cutter with adjustable blade



Metal tape measure, folding rule



Square



Level, length 2' (60 cm) and 4' (1.2 m)



Level, min. 4' (1.2 m) long

Installation instructions

The following installation instructions describe the installation steps for various appliance types:

- Refrigerator units
- Freezer units
- Freezer units with ice maker

Therefore the diagrams may be a general representation of your appliance.

Particular reference is made to special installation steps for individual appliance types.

1. Checking the installation niche

⚠ CAUTION:

Use the following check list for a safe and trouble free installation.

1. Check the floor.
See chapter "Installation", section "Floor".
2. Check the dimensions of the installation niche, see chapter "Dimensions of the installation niche".
3. Check that the installation niche is square.
4. Check location of the socket.
See chapter "Connecting the power" and chapter "Dimensions of the installation niche".
5. Check location of the water connection (only for appliances with ice maker).
See chapter "Connecting the water" and chapter "Dimensions of the installation niche".
6. Check attachment of the adjacent cabinet/fixtures. All cabinet parts in the vicinity of the appliance must be connected securely to the wall.
7. Check that adjacent cabinet/fixtures have adequate clearance (door opening angle).

2. Removing the packaging

⚠ WARNING:

Be careful, otherwise people who are helping may be injured or the appliance may be damaged!

- The appliance may tip over while it is being unpacked or if the doors are opened.
- The appliance is very heavy.

Data relating to the weight when empty is found in the following table:

Refrigerator 30"	approx. 350 lbs/158 kg
Freezer 18"	approx. 255 lbs/115 kg

Note:

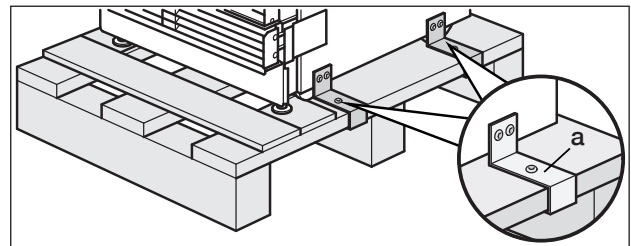
Check appliance for damage in transit.

Do not install the appliance if it is visibly damaged.

If in doubt, contact your dealer.

To avoid floor damage:

1. Remove the packaging carton and be careful not to damage the surface of appliance.
2. Place packaging cardboard or plywood under the appliance.
3. Remove accessories from the outside of the appliance.
Save adhesive tape which was used to attach the supplied accessories to the appliance.
It can be used subsequently for attaching an edge protection to the installation niche walls (see chapter "A / 3. Attaching an edge protection").
4. Remove transportation protection devices (a) and lift appliance off the pallet – appliance is very heavy!



5. Carefully open the appliance – risk of tipping over – and remove accessories and installation materials from inside the appliance. Close the door again.

Note:

Do not remove transportation safety devices which protect the shelves and storage compartments inside the appliance until the installation is complete, otherwise the parts may be damaged.

3. Transport of the appliance

⚠ WARNING:

Be careful, otherwise people who are helping may be injured or the appliance may be damaged!

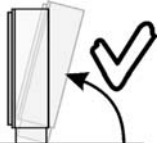
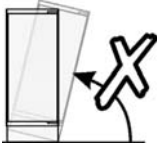
The appliance is very heavy.

The appliance is 83 1/8" (2126 mm) tall. If the appliance cannot be transported in an upright position, the appliance can be transported horizontally.

Note:

Do not raise up the appliance via the side panels. Risk of damage to the appliance!

When raising up the appliance, observe the required minimum height at the installation location according to the following table:

Raise up via appliance rear	Do not raise up from appliance side
	
Minimum height 86"/2185 mm	Do not raise up the appliance via the side panels!

Note:

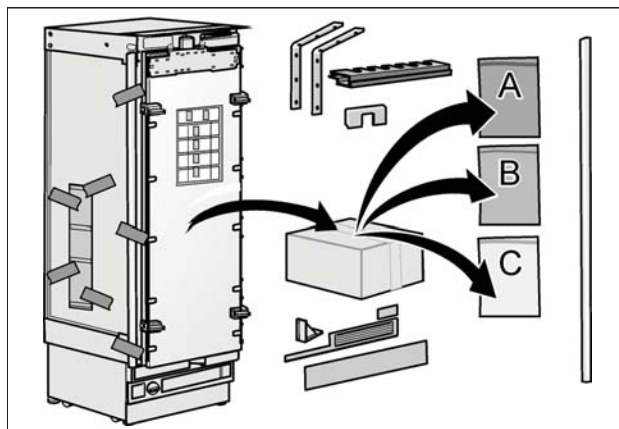
Always use the appliance dolly from the rear side of the appliance. Never push it in from the front under the appliance. Risk of damage to the appliance!



1. Transport the appliance to a suitable installation location with suitable means of transportation (trolley, lifting truck or hand).
2. Secure the appliance during transportation to prevent it from tipping.

4. Installation preparation

Unpack installation materials and accessories. To simplify installation, the packages are identified with labels A, B and C corresponding with the manual chapters.



5. Special installation

Special installation steps are described after chapter C. The following symbol indicates that additional steps need to be taken before proceeding to the next chapter.



- The appliance may tip over while it is being unpacked or if the doors are opened.
- Sealing mat, see "Removing/ changing over the sealing mat"
- Side-by-Side installation, see "Side-by-Side installation".
- Connecting the water, see "Preparing to connect the water" and "Connecting the water to the appliance".
- Door limitation pin, see "Adjusting the door opening angle".

A

1. Attaching the anti-tip-brackets

⚠ WARNING:

Risk of injury and damage!
Assure that there are no electrical wires or plumbing in the area which the screws could penetrate.

⚠ WARNING:

Risk of injury! Always wear safety glasses and other necessary protective devices or apparel when installing or working with dowels.

Important note:

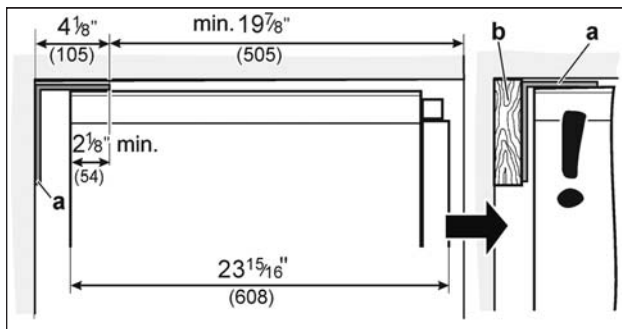
If a Side-by-Side set up of two appliances is envisaged, the anti-tip brackets are needed as installation aid. Connect the appliances before the anti-tip brackets are fixed to the wall, see "Side-by-Side installation".

Note:

- 2 anti-tip-brackets are required for each appliance.
- The supplied set contains fastening screws for various applications. Select the fastening screws according to the local conditions.
- If the anti-tip brackets, and therefore the appliance, cannot be securely attached with the supplied fastening screws, another suitable method must be used to attach the appliance securely.

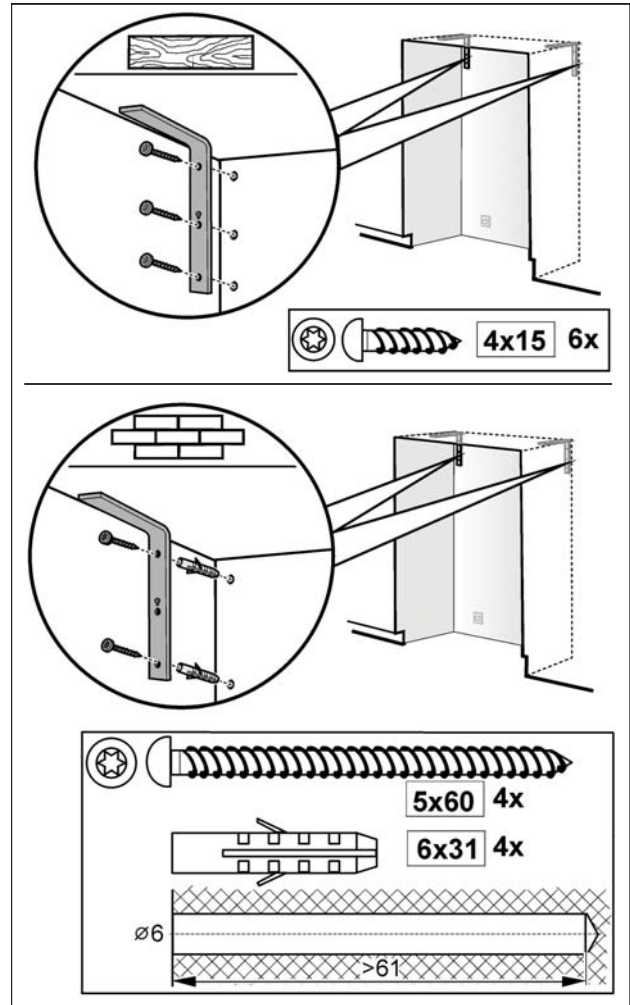
The anti-tip-brackets (**a**) must overlap a minimum of 2 1/8" (54 mm) over the appliance to secure the appliance.

If this minimum length cannot be observed for structural conditions it is possible to do this by fastening a spacer (**b**) behind the anti-tip angle, e.g. a sufficiently dimensioned wood board.



The length of the plank should correspond to the width of the installation niche!

1. Specify the attachment points of the anti-tip-brackets according to the chapter on "Dimensions of the installation niche".
2. Attach the anti-tip-brackets completely. Be sure screws hold tight.



Important notes for fastening with dowels and screws:

Not recommended for use in light-weight masonry material such as cinder block.

Not recommended for use in new concrete which has not had time to cure.

2. Attaching an alternative anti-tip device

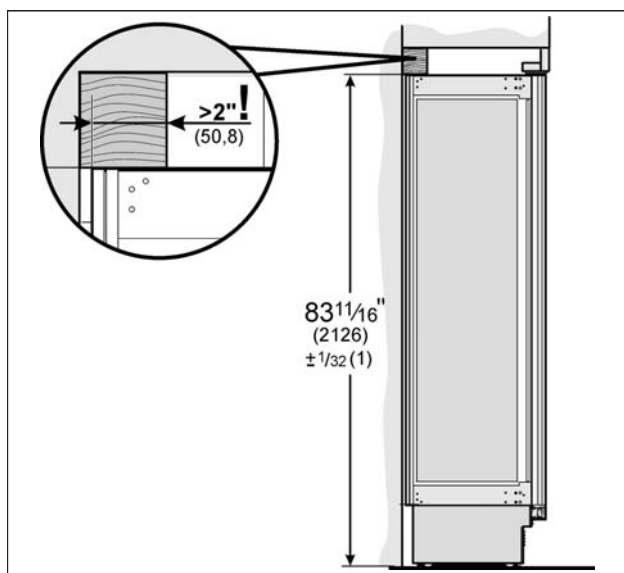
Important note:

If the anti-tip brackets cannot be attached securely, an alternative anti-tip-device can be attached. However, ensure that there is no play between the appliance and the anti-tip-device. If possible, always screw the wooden beam to existing studs on the rear panel of the installation niche.

- Specify the attachment points of the anti-tip-brackets according to the chapter on "Dimensions of the installation niche".

Note:

- If the installation niche is deeper than the appliance, select a beam which has a larger cross section or attach 2 beams.
- The beam must cover the appliance by at least 2" (50.8 mm).



- Mark the installation height (lower edge of the beam) on the rear panel of the installation niche.
- Select screws according to the thickness of the wooden beam: length = min. 2.5 x beam thickness, diameter #12 or #14.

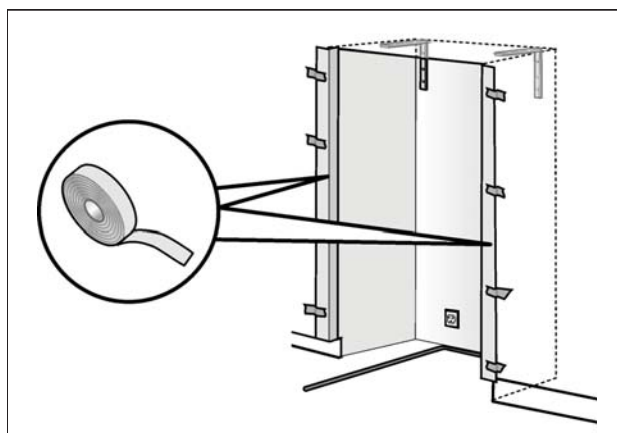
Note:

Choose the number of screws according to the installation niche width, thereby ensuring that the beam can be attached securely.

- Depending to the subsurface:
Locate wall studs in the rear of the installation niche and accordingly transfer their location to the wooden beam
or fasten suitable dowel into the rear wall.
- Predrill the wooden beam.
- Attach the wooden beam to the rear panel of the installation niche.

3. Attaching an edge protection

To protect the edges of the installation niche, it is recommended to attach edge protection made of a suitable material.

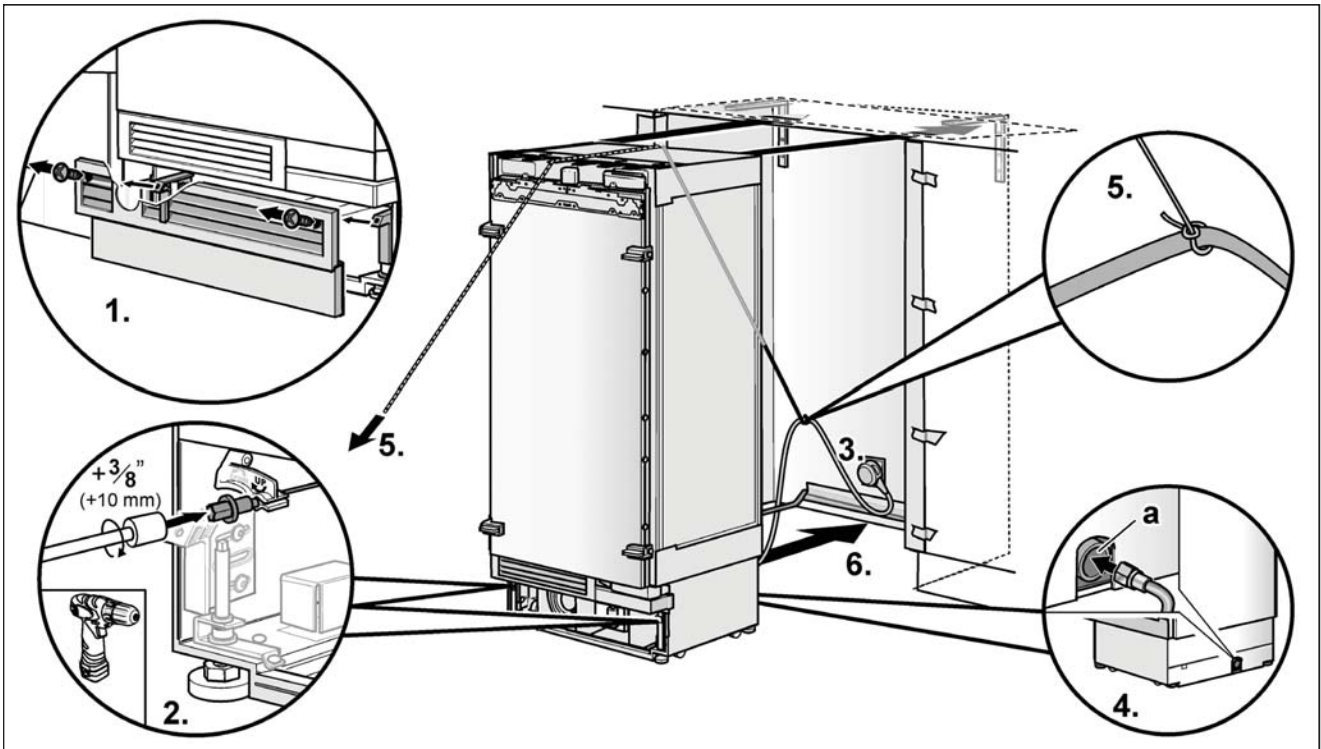


The following are special installation steps. Instructions are provided after chapter C.

- Change over door hinge, see "Changing over the door hinges".
- Sealing mat, see "Removing/ changing over the sealing mat"
- Side-by-Side installation, see "Side-by- Side installation".
- Connecting the water, see "Preparing to connect the water".

B

1. Pushing the appliance into the installation niche



⚠ CAUTION:
Caution when pushing the appliance into the installation niche. Do not damage the water line or power cord.

Note:
When the floor or the appliance is not leveled in comparison to the installation niche adjust height adjustable wheels before you move the appliance into the installation niche.

1. Remove the base panel.
2. Raise the height-adjustable wheels at the back by approx. $\frac{3}{8}$ " (10 mm).
3. Put the electric plug into the socket.
4. Push the water line into the guard tube (a) at the rear of the appliance.

⚠ WARNING:
Be careful, otherwise people who are helping may be injured or the appliance may be damaged.
The appliance may tip over while the water line is pushing into the guard tube (a).

5. To prevent the power cord from becoming caught, tie a piece of string to the middle of the power cord and feed forwards over the top of the appliance. When pushing in the appliance, pull the cable upwards. Take care not to pinch the power cord or
using adhesive tape, tape the power cord to the floor centrally behind the appliance approx. 15" (380 mm) away from the rear panel of the installation niche.
6. Carefully push the appliance into the installation niche.
7. Remove edge protection (if attached).

2. Aligning the appliance in the installation niche

Note:

To ensure that the appliance functions correctly, it must be set perfectly levelled.

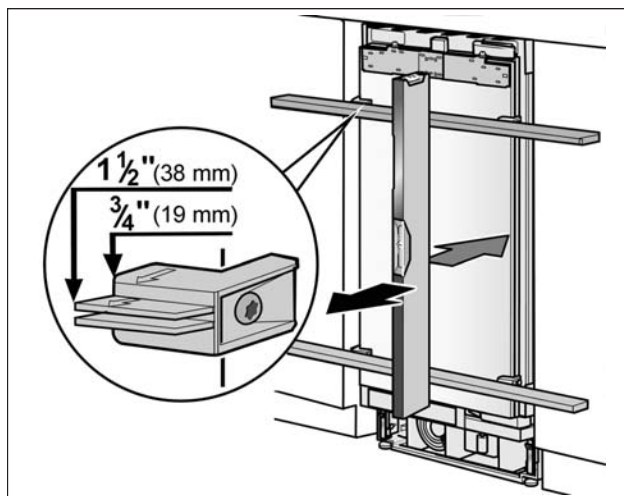
Depth alignment

The positioning aid on the door have been designed for the following total thickness of door panels:

- $\frac{3}{4}$ " (19 mm)
- $1\frac{1}{2}$ " (38 mm)

Always take account of the possible differing thickness of the panel fronts which are to be fitted subsequently.

1. Align the appliance with the cabinet fronts using the positioning aid.
- Place level over the positioning aid on the door.



Height alignment

Note:

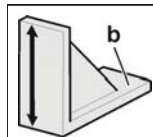
- Do not twist or jam the appliance inside the installation niche! When adjusting the heightadjustable feet, proceed gradually: Always alternate between left and right, etc.
- For easier adjustment of the rear feet take the weight off by slightly tilting the appliance forward.
- When using a wooden beam as an alternative antitip mechanism, turn the appliance as far as it will go against the wooden beam. Do not bend against the wooden beam.

The height-adjustable feet at the front and rear can all be adjusted from the front.

Front:	with open-ended wrench $\frac{1}{2}$ " (Width across flats 13 mm)
Rear:	with $\frac{5}{16}$ " (8 mm) hex nut driver via flexible shaft.

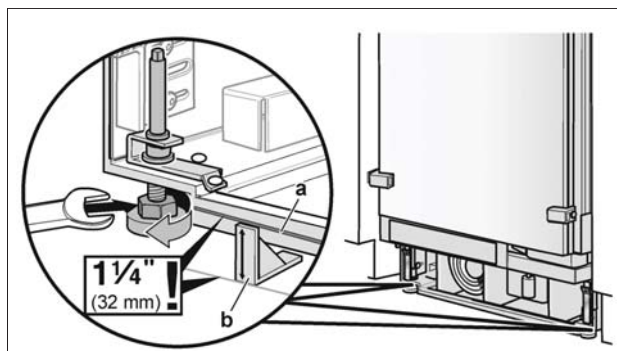
The mark (a) attached at the appliance base is used as a standard gage for height adjustment. When adjusting the height, align this mark at a height of $1\frac{1}{4}$ " (32 mm) above the floor.

It is very important to comply with this dimension for the subsequent alignment of the furniture fronts.

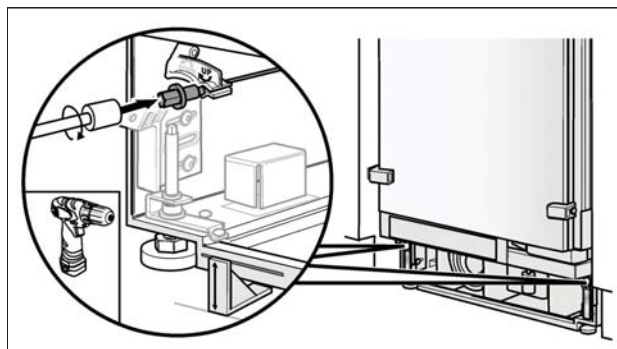


The height adjustment gauge (b) is used to set this height correctly. The upper edge of the gauge must be in alignment with the mark on the appliance.

2. Unscrew the feet at the front of the appliance until the mark (a) on the appliance is in alignment with the upper edge of the height adjustment gauge (b).



3. Align the appliance vertically using the feet at the back. Use a level!

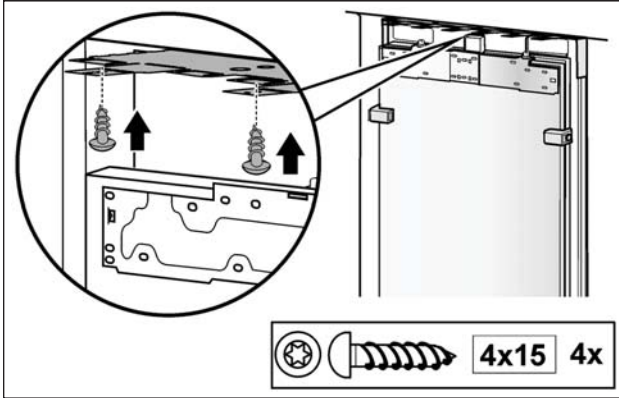

B

B

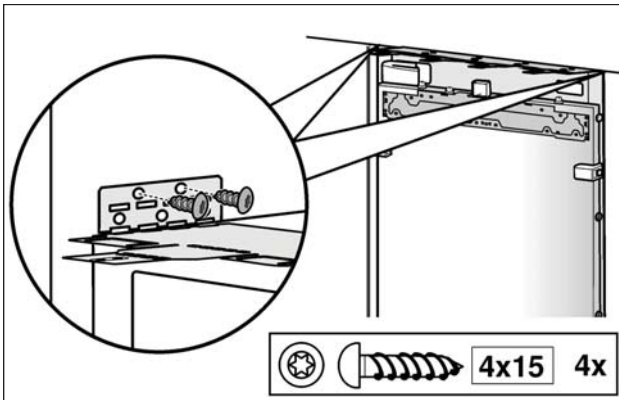
3. Attaching the appliance to the installation niche

It is essential to attach the appliance to the top of the installation niche.

1. Screw the attachment plate lugs (top) to the overhead furniture.
2. If there is a fairly large gap above the appliance, fit a wooden beam above the appliance, ensuring that the wooden beam fits the gap exactly.



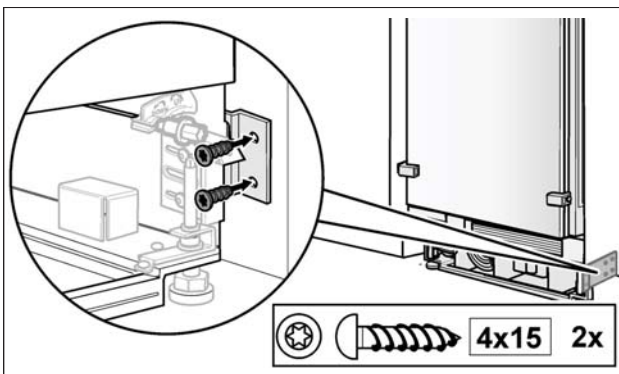
3. If there is enough room on the top of the appliance, fix the attachment plate side lugs (top) to the side of the niche.



4. Screw on the bars of the fastening sheets (lateral) with the cabinet parts located next to them.

Note:

In the case of a Side-by-Side installation this installation step is not possible. These parts have been removed.

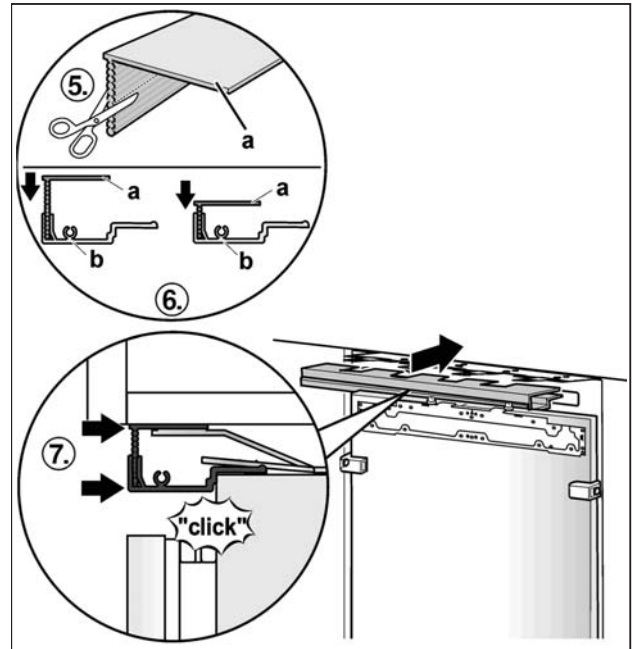


5. Shorten the fitting strip (a) to fill the gap.

Note:

The appliance will be damaged if the fitting strip (a) is too long.

6. Press the fitting strip (a) into the cover strip (b).
7. Attach the cover strip (b) to the attachment plate (top).



Note:

In the case of a side-by-side installation connect both cover rails to the bolt included in the installation accessories for side-by-side installation.



The following are special installation steps. Instructions are provided after chapter C.

- Connecting the water, see "Connecting the water to the appliance".

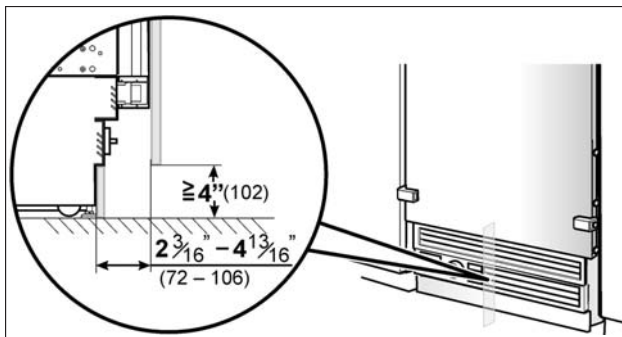


1. Attaching the toe kick panel

Note:

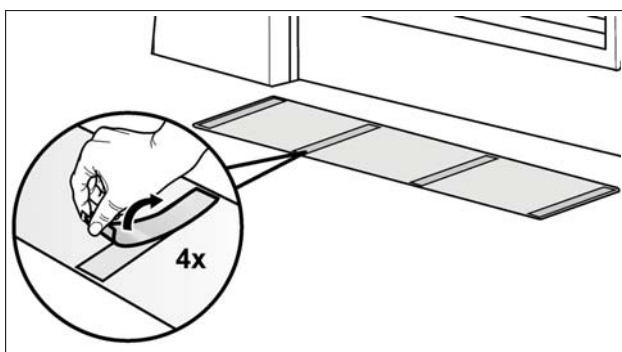
Risk of damage to the appliance. Do not cover ventilation slots in the base panel.

Nominal dimensions to be observed:

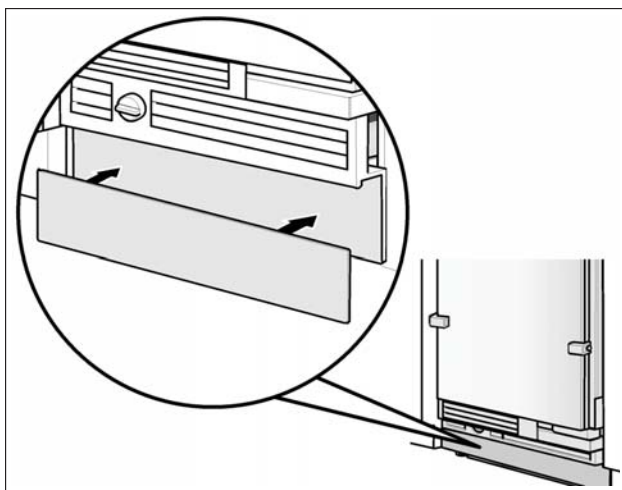


Stainless steel panel (accessory)

1. Attach the base panel to the appliance (do not screw on).
2. Remove the protective film from the adhesive pads.



3. Fit the toe kick panel to the base panel and press firmly into place.

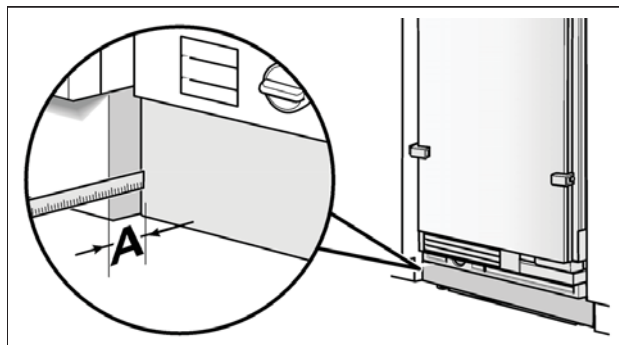


Wooden panel

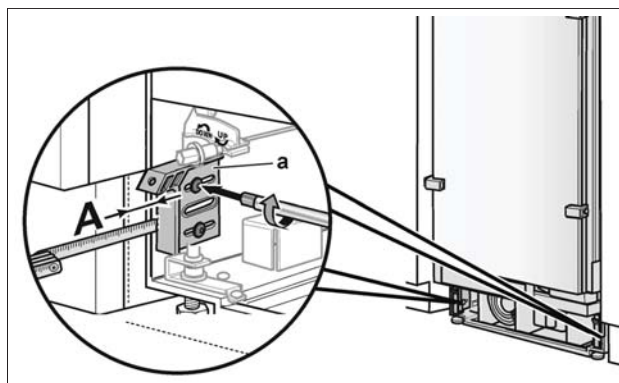
1. If required, shorten wooden panel to the required length.
2. Screw wooden panel to the base panel from behind. There are already screw holes in the base panel.

2. Aligning the base panel

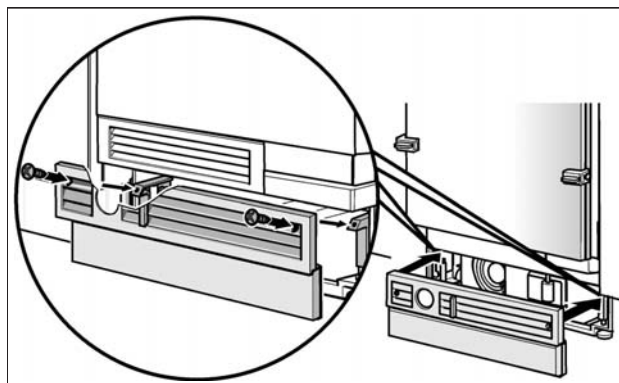
1. Put on the base panel (do not screw on) and measure the difference in depth **A** between the base panel and toe kick panel of the adjacent cabinet.



2. Remove the base panel.
3. Adjust the brackets (**a**) to the dimensions **A** and tighten.



4. Attach the base panel.





3. Switching the appliance ON

To guarantee the accuracy of the following working steps and thus the appearance of the overall kitchen front later on, the appliance should now be operated.

1. Open the appliance door.
2. Press the POWER button.
3. Press the POWER button again to shut off.

Only for appliances with a water connection:

In order to avoid the risk of damage caused by leaking water from damage possibly caused to the water pipe feeding the appliance, keep the shut-off valve closed.

4. Preparing the door panels

Important note:

When performing any work on the door panels, always observe the following:

- Always screw into the best load-bearing material of the door panel.
- Never screw into fillers, decorative strips or similar.
- Select a screw length which is always shorter than the thickness of the door panel.
- To prevent damage, protect surfaces of the door panels during installation.

The total weight of the door panel must not exceed the following values:

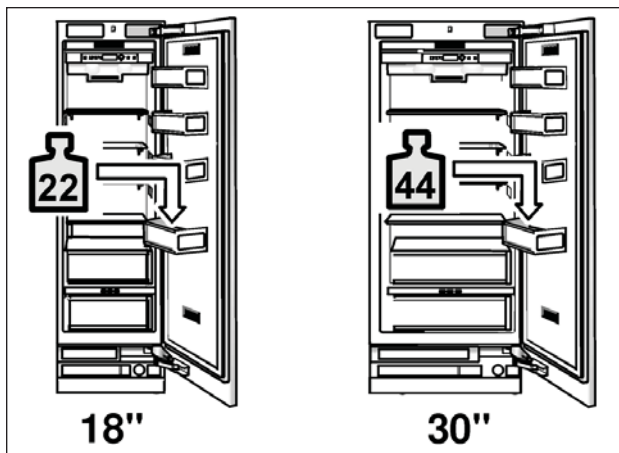
18" Appliance	44 lbs/20 kg
30" Appliance	64 lbs/29 kg

5. Loading the appliance door

When attaching the door panels, it is recommended to load the door storage compartments in the appliance with weights in order to ensure that the gap width is as precise as possible.

Recommendations:

18" Appliance	22 lbs/ 10 kg
30" Appliance	44 lbs/20 kg

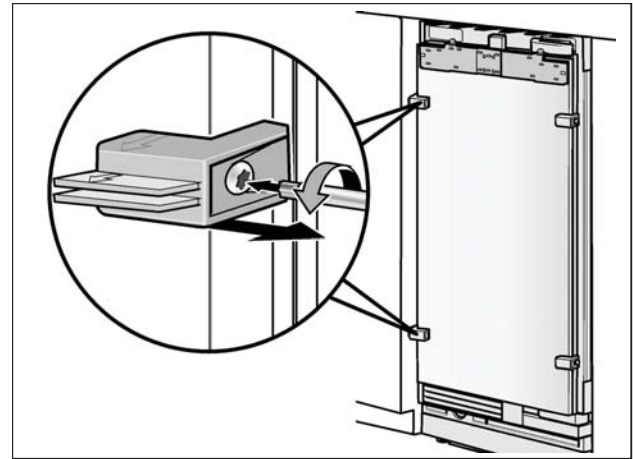


6. Removing the installation support part

Unscrew the positioning aid from the appliance door.

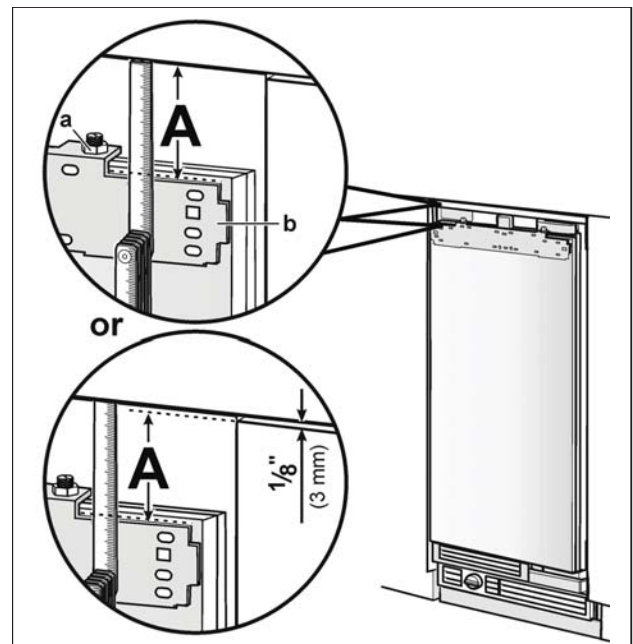
Note:

Store the positioning aids, there will be used in an installation step later.



7. Attaching the adjusting rail to the door panel

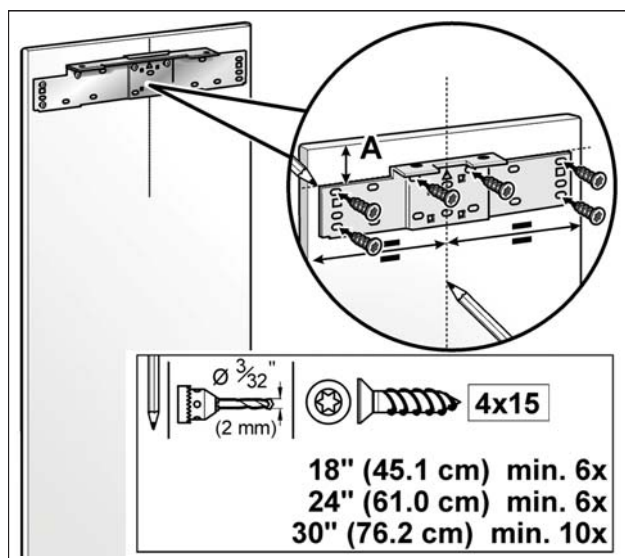
1. Measure the distance **A** between the adjusting rail and the overhead cabinet/fixtures.



2. Loosen the 2 nuts (**a**) and remove the adjusting rail (**b**).
3. Mark this amount **A** on the rear of the door panel.
4. Determine and mark the centerline of the door panel.
5. Put on the adjusting rail and align along the marks. Mark the drill holes.
6. Drill the holes.



7. Screw on the adjusting rail tightly.



Note:

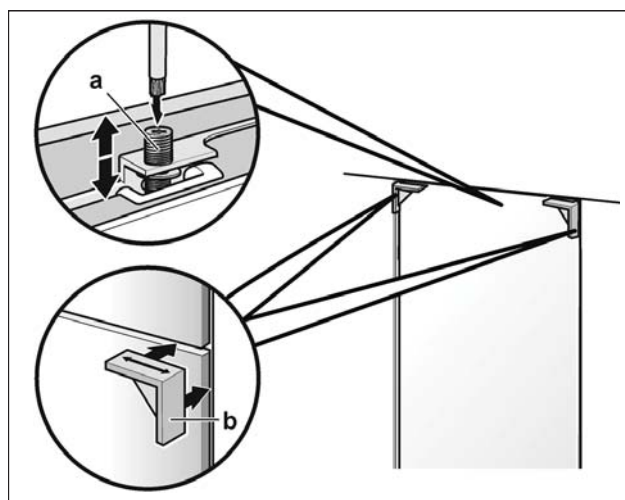
- Attach the adjusting rail to the door panel with at least 10 screws. One screw should be inserted under each double threaded bolt.
- The adjusting rail features a variety of holes for the many different design options of door panels.
- Always screw into the best load-bearing material of the door panel.

8. Attaching the fixation strips to the door panel

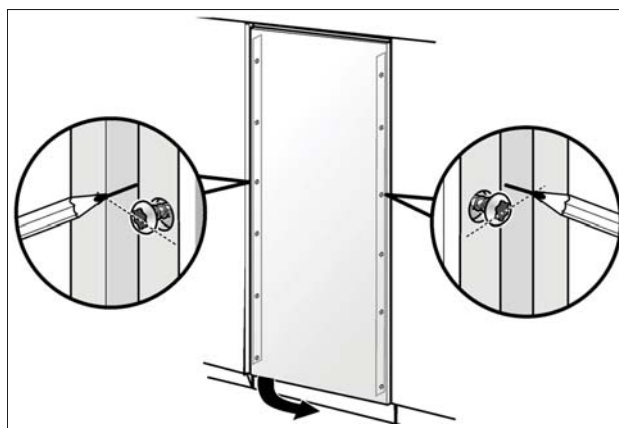
Note:

The fixation strips are pre-assembled for stainless steel doors. In this case continue with the next installation step ("C / 9. Attaching the door panel").

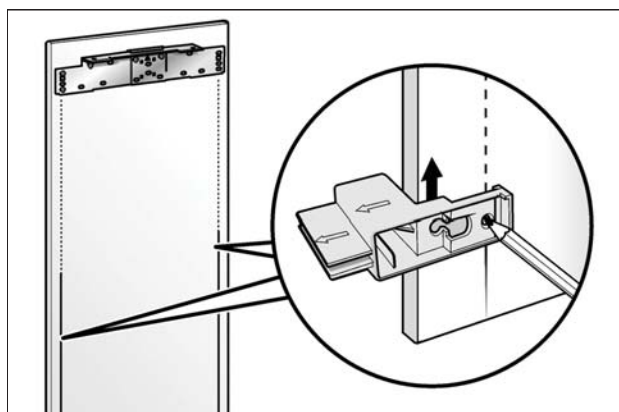
1. Hang the door panel on the double threaded bolt (a).
2. Align the door panel with the double threaded bolts (Torx screwdriver).
Re-examine the dimensions of the gap continuously.
Use the height adjustment gauge (b).



3. Transfer the middle drill holes along the outer edge of the appliance door to the door panel and mark.



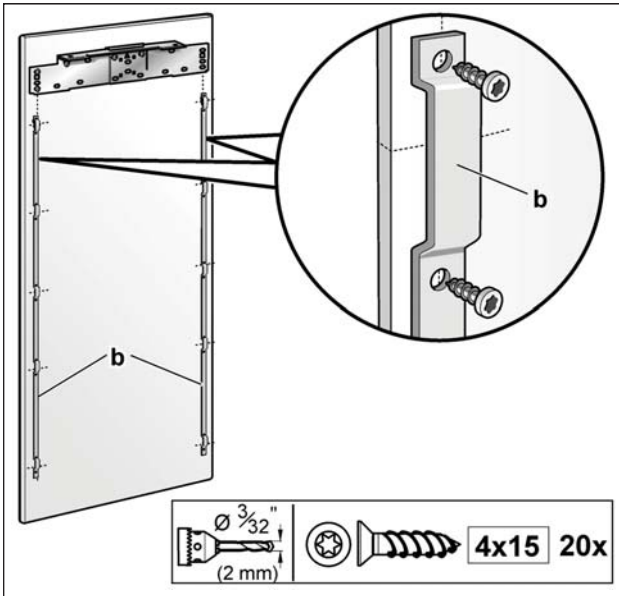
4. Remove the door panel.
5. Using the positioning aid, mark the vertical sides of the door panel parallel.



6. Using a square, extend the drill hole marks which you have just made to the vertical marks.
7. Apply the fixation strip and mark out the holes.
8. Pre-drill the holes.



9. Screw on the fixation strips.

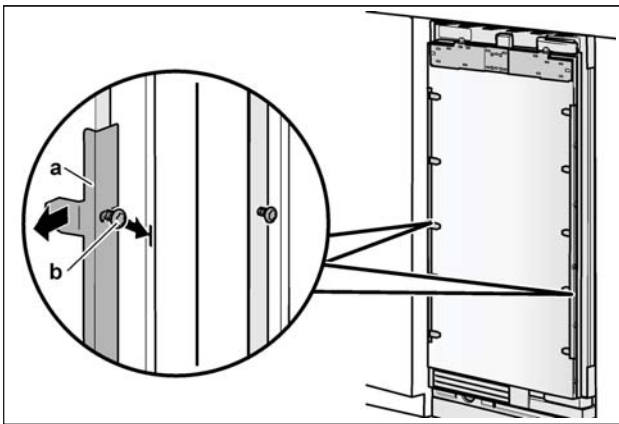


9. Attaching the door panel

Note:

Now attach the furniture handles which are screwed from behind!

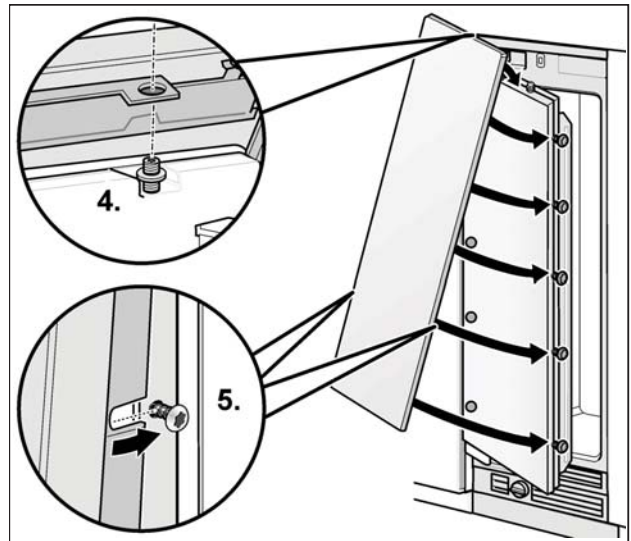
1. Remove the fixing brackets (a) from the appliance door. To do this, loosen the bracket screws (b) only.



2. Insert removed fixing brackets (a) into the adjusting rails (b) on the door panel.



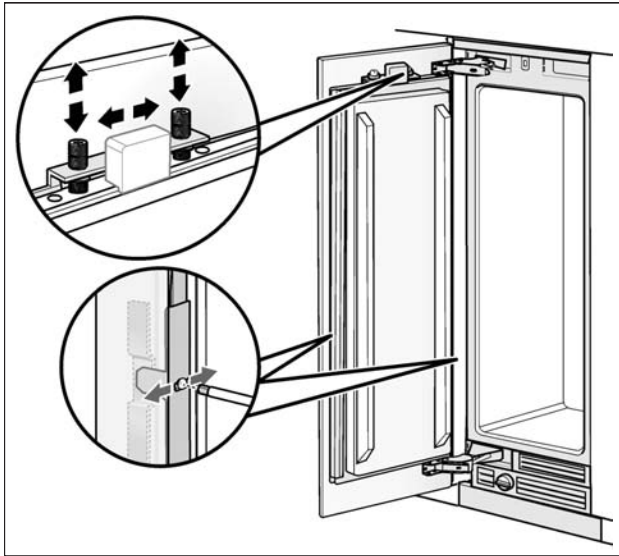
3. Open the appliance door.
4. Hang the door panel with adjusting rail over the double threaded bolts.
5. Lower door panel and push the fixing brackets down over the fastening screws.



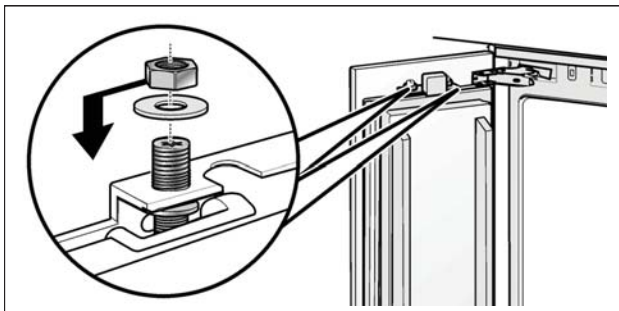
6. Adjust the door panel using the double threaded bolts (Torx screwdriver). Re-examine the dimensions of the gap continuously.
7. Close the door and check that the depth of the door panel is aligned with the adjacent fronts. If required, correct.
8. Tighten the bracket screws to fix the depth alignment.



9. Close the door and check the side alignment. Correct by gently tapping the edge of the open door panel with your hand.



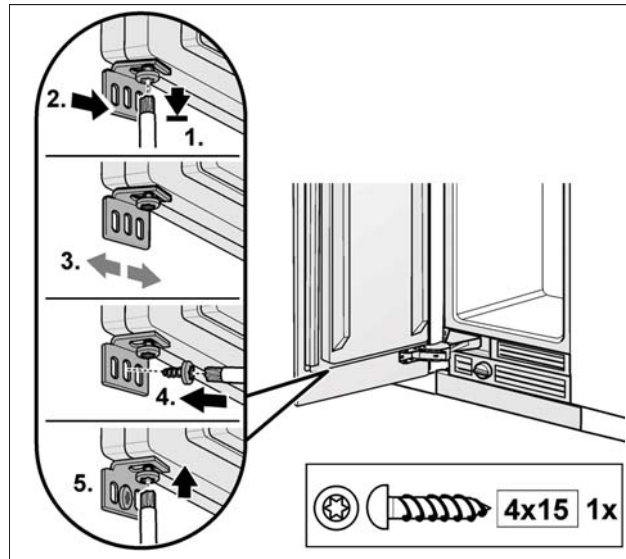
10. Screw nuts onto the double threaded bolts and tighten. This will fix the side alignment of the door.



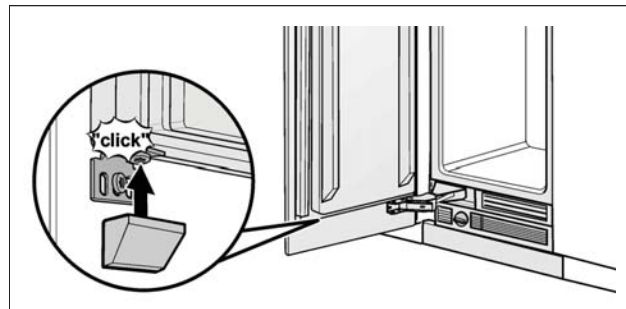
10. Attaching the lower bracket

The lower bracket fixes the side position of the door. The number of lower brackets depends on the width and the design of the door panel. Screw on the lower brackets (Installation kit). Predrill holes in the door panel!

1. Loosen the screw.
2. Push the bracket over the screw.
3. Check the side position of the door.
4. Screw in the screw.
5. Tighten the screw.



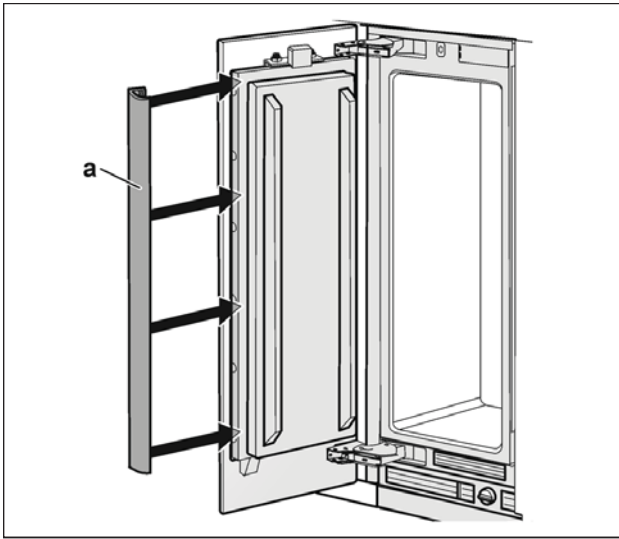
6. Put the cover on the brackets.



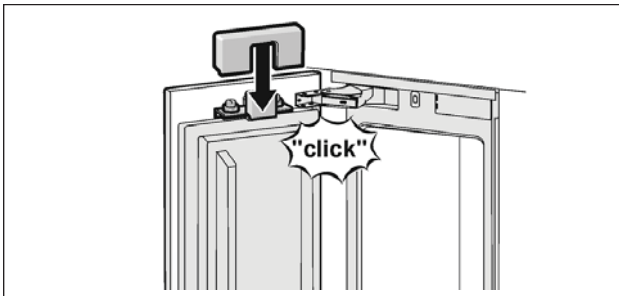


11. Attaching the strips

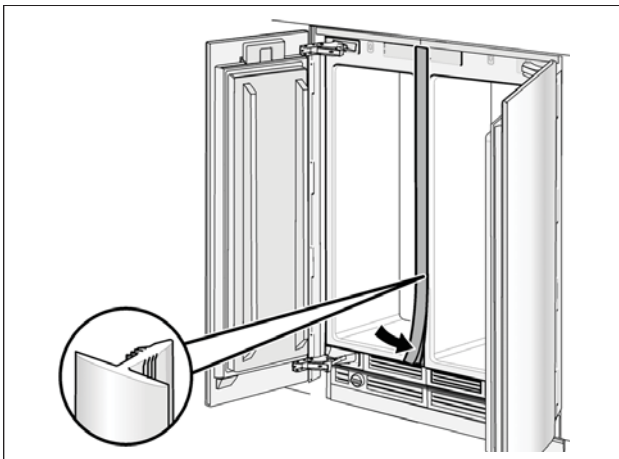
1. Attach the cover strip (a) on the door.



2. Attach the light switch cover.
The cover can be screwed to the door.



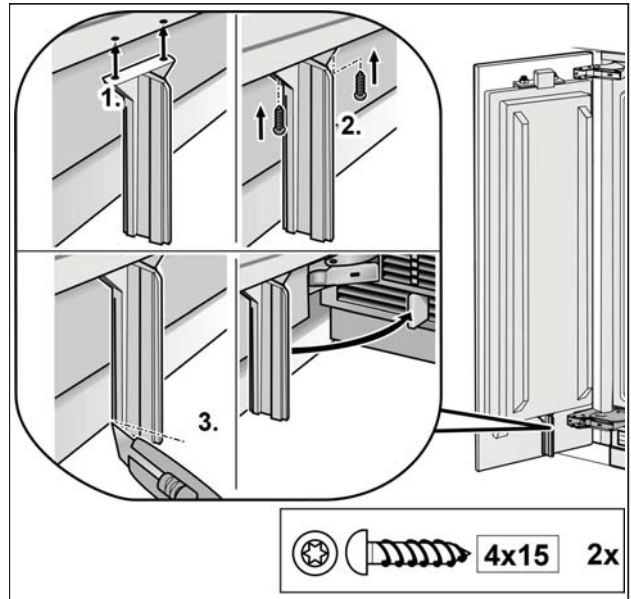
Side-by-Side installation only:



Insert the cover strip into the space between the appliances.
The cover rail is included in the installation accessories for side-by-side installation.

12. Mounting the air separator

Using the air separator, air which is supplied and drawn from the appliance is fed separately, in order to avoid reduced operating capacity.

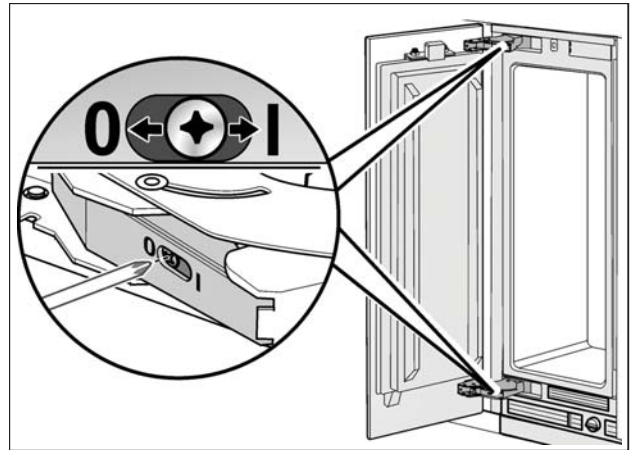


13. Adjusting the door spring

Rotate the adjusting screw with a cross-head screwdriver.

I = maximum spring tension

0 = no spring tension



The following are special installation steps. Instructions are provided after chapter C.

- Door limitation pin, see "Adjusting the door opening angle".

Installation of the appliance is now complete.

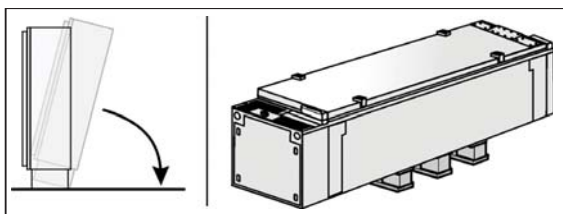
Special installation

Changing over the door hinges

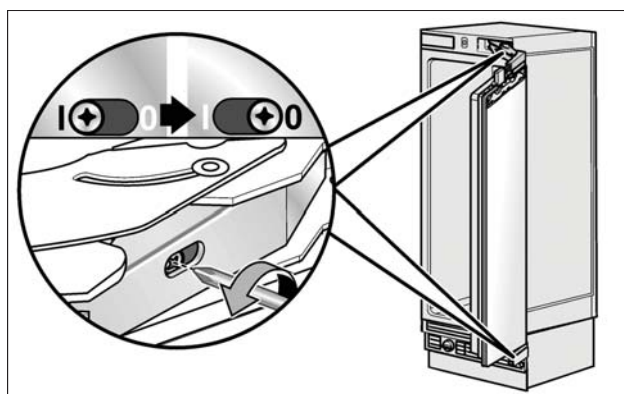
⚠ WARNING:
Risk of injury!
Before working on the hinge, release the spring.

Note:

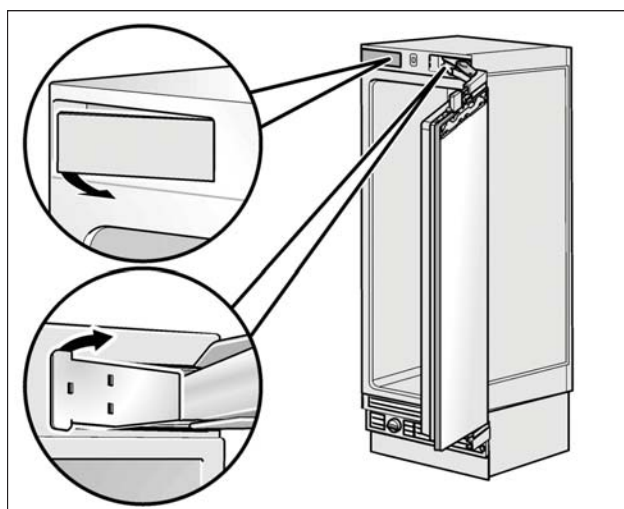
- The door hinges cannot be exchanged in the case of freezers with ice and water dispensers.
- Switching the door hinge is made easier if the appliance is stored here on the back (put the pallet underneath).



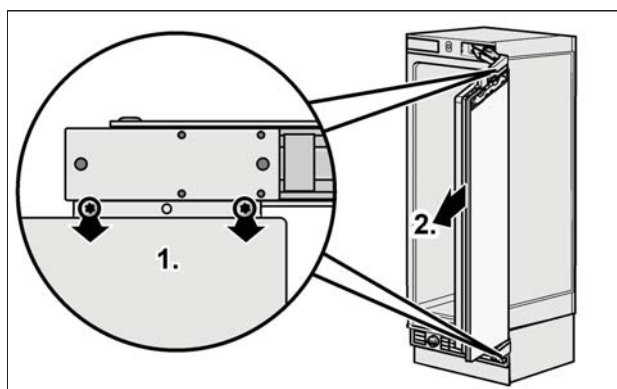
1. Release the spring on the hinge. Loosen the screw from I to 0.



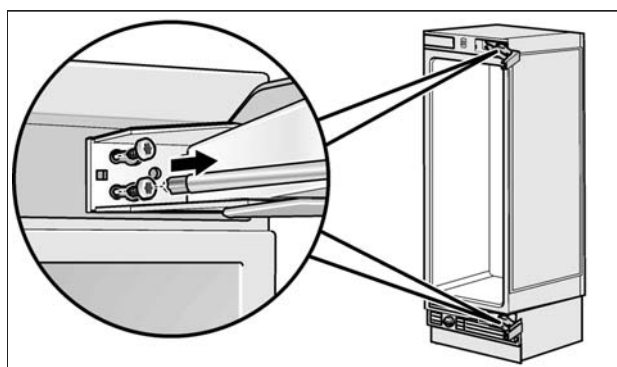
2. Remove the hinge box covers.



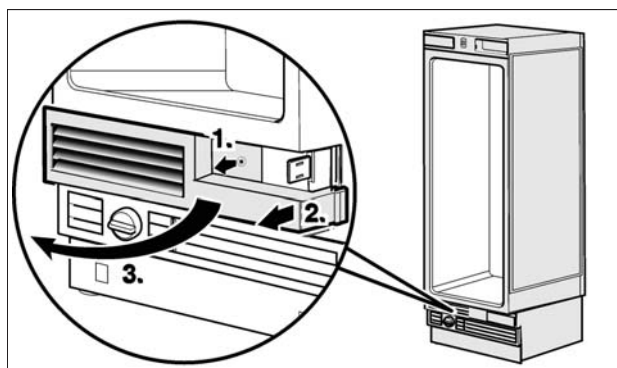
3. Unscrew (1.) and remove (2.) the door.



4. Remove the hinges.

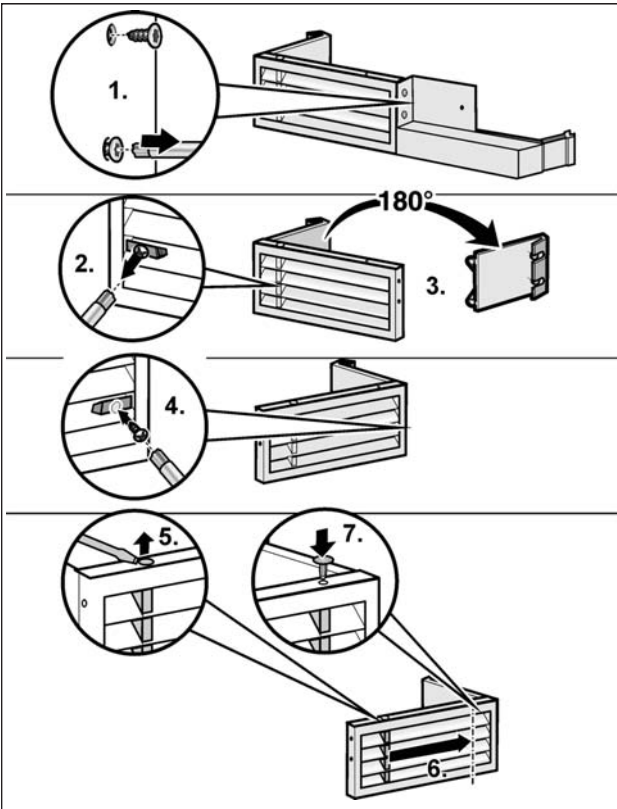


5. Remove the ventilation grille.

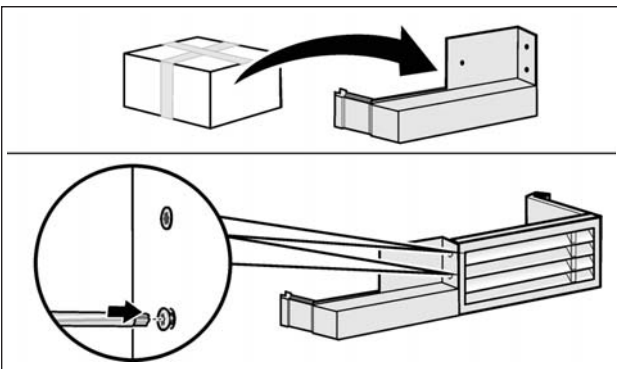




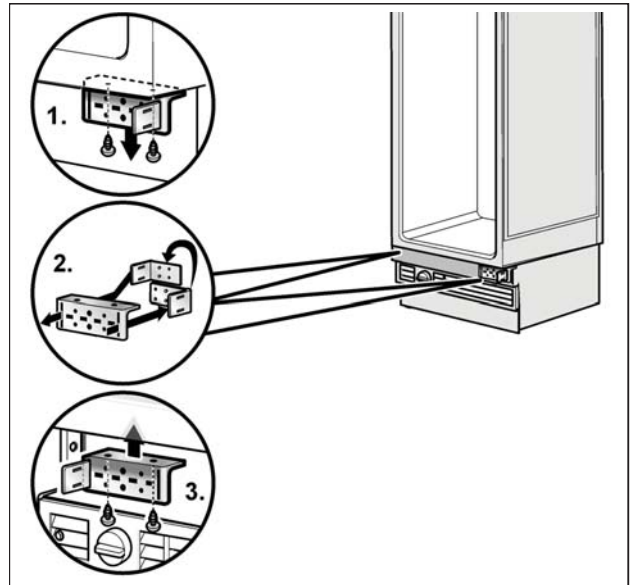
6. Mount new the ventilation grill.



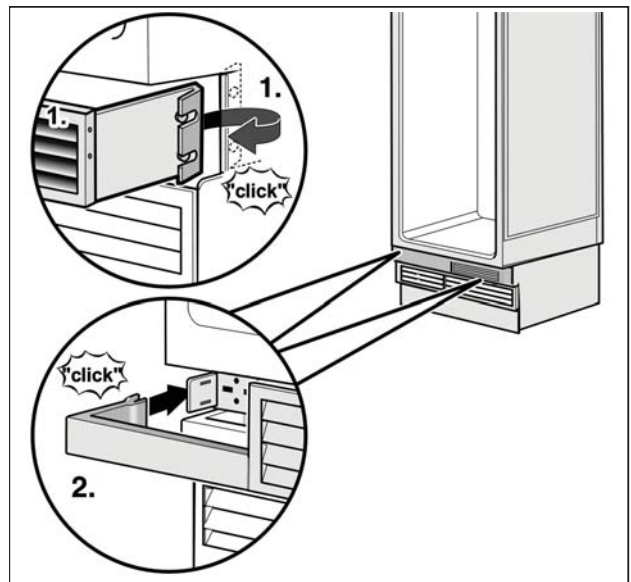
A replacement part for the ventilation grille to adapt to the modified door hinge is included in the installation materials and accessories.



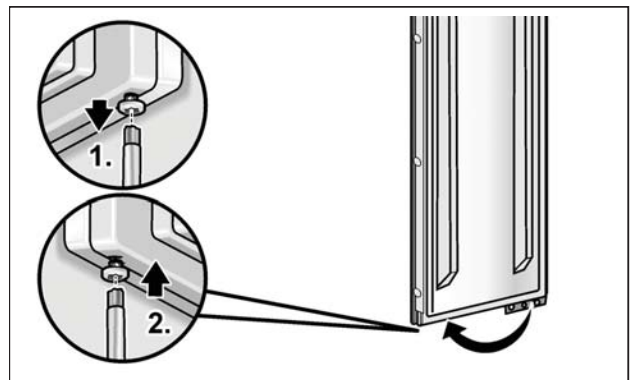
7. Change over the hinge angle.



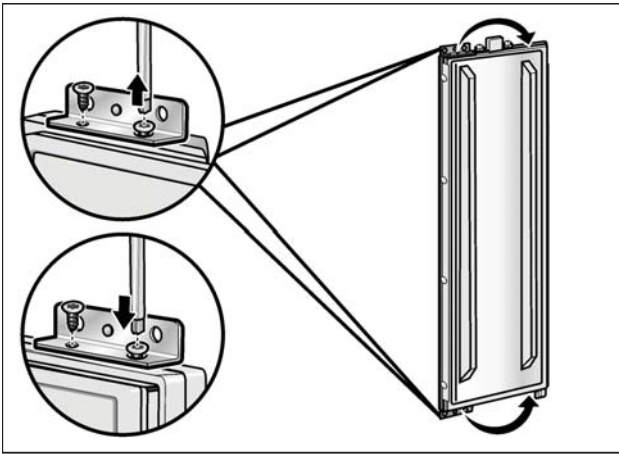
8. Attach the ventilation grille.



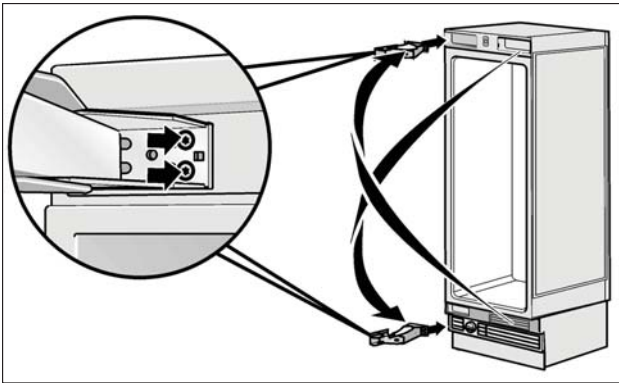
9. Change over the screw for the lower bracket.



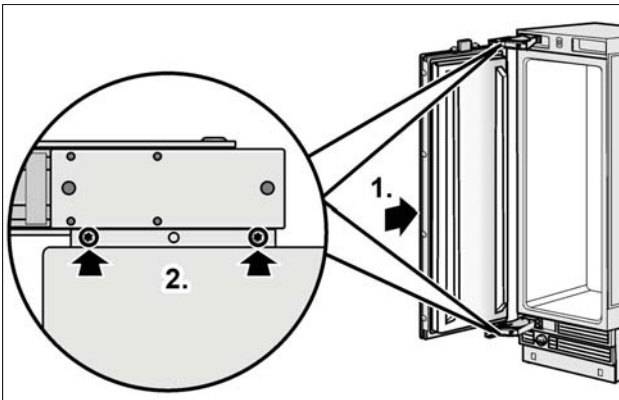
10. Change over the fixation parts on the door.



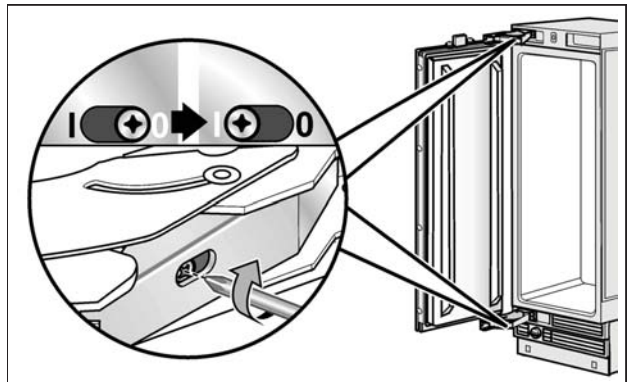
11. Fix the hinges on the appliance. Change the hinges crosswise!



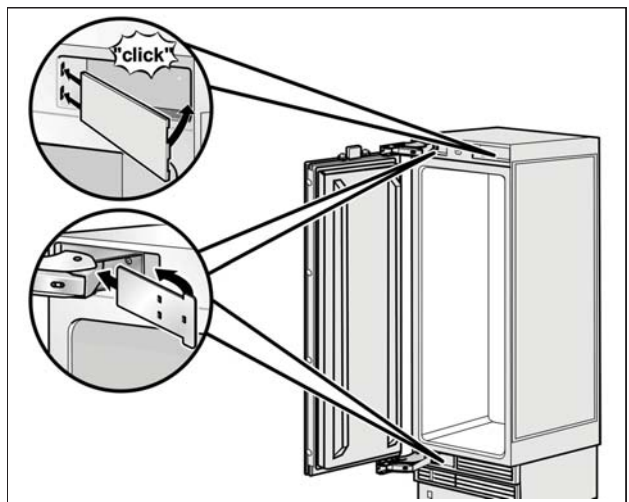
12. Fix the door.



13. Span the spring on the hinge. Tighten the screw from 0 to I.



14. Fix the hinge box cover.

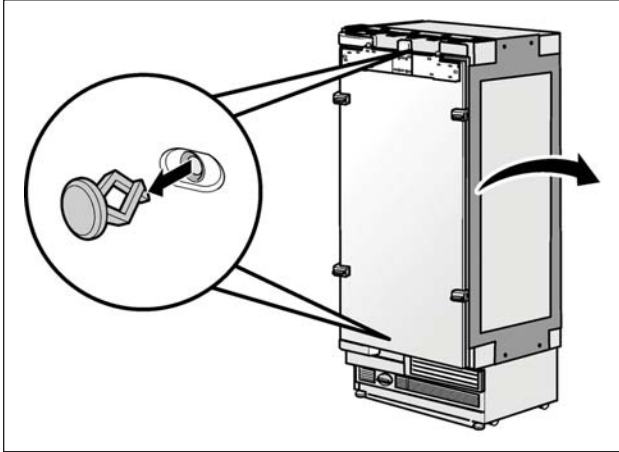




Removing/changing over the sealing mat

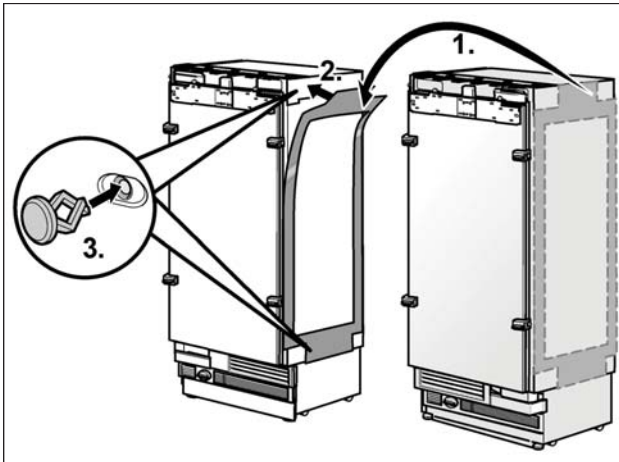
Freezers are fitted with a sealing mat at the factory for side-by-side installation.

If a single appliance is installed, the sealing mat is not required and can be removed.



The sealing mat is essential for side-by-side installation. If the door hinges were fitted to the other side of the door, the sealing mat must be attached to the other appliance.

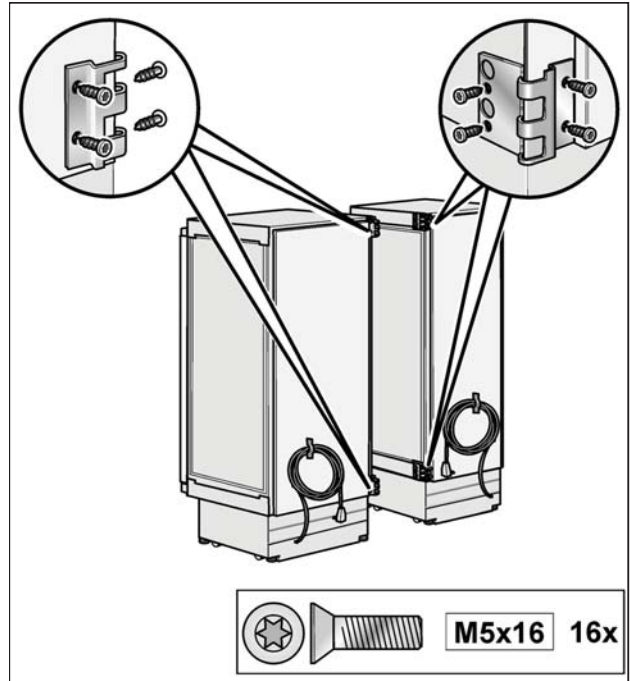
Always attach sealing mat to the right side of the appliance situated on the left.



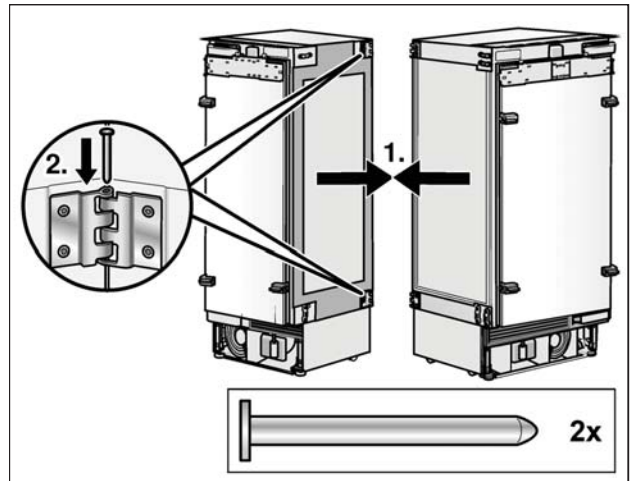
Side-by-Side installation

If a Side-by-Side installation is intended, now connect the two appliances together.

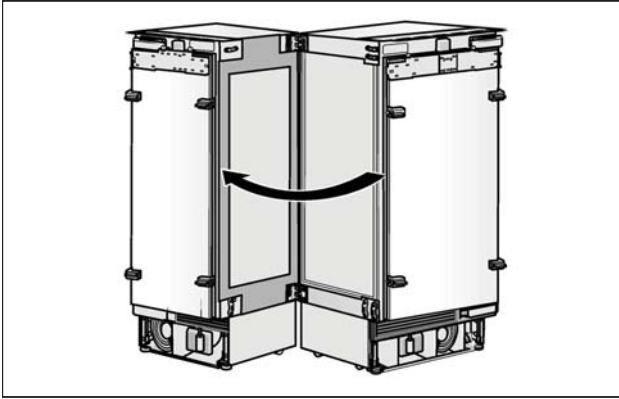
1. Screw the hinge halves in the Side-by-Side kit to both appliances.



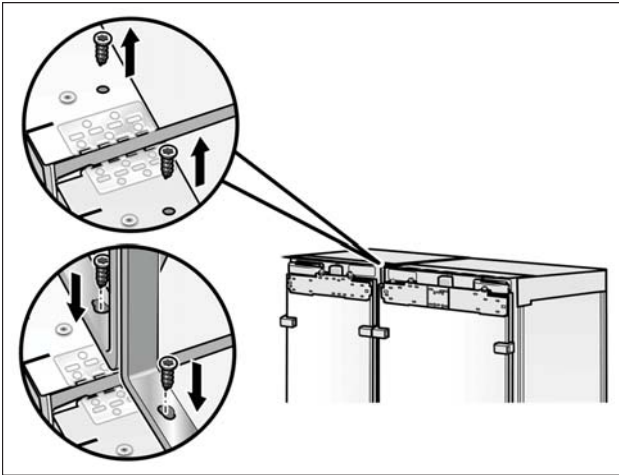
2. Push the appliances together until the hinge halves interlock.
3. Insert pins into the hinges.



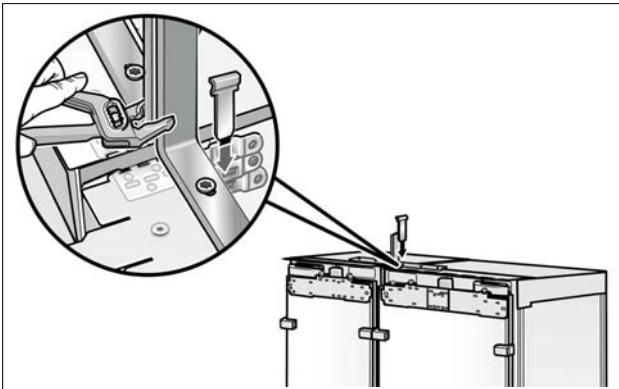
4. Push the appliances together at the front as far as possible.



5. Loosen the screws on the top of the appliance and in their place screw on the anti-tip brackets as installation aid.

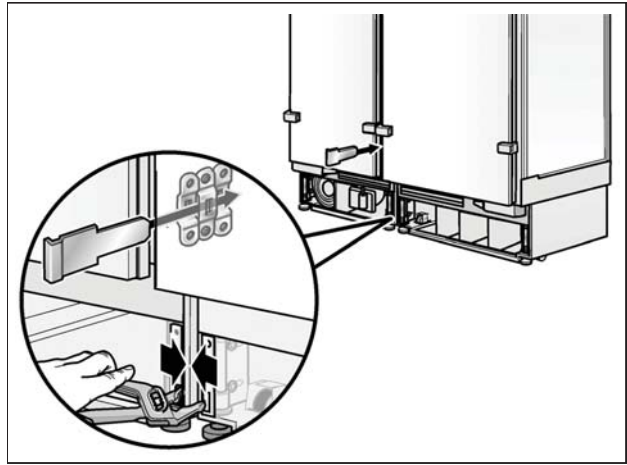


6. Pull the appliances together at the top with Water pump pliers.
 7. When the appliances have been completely pulled together, insert the bar into the upper plates.

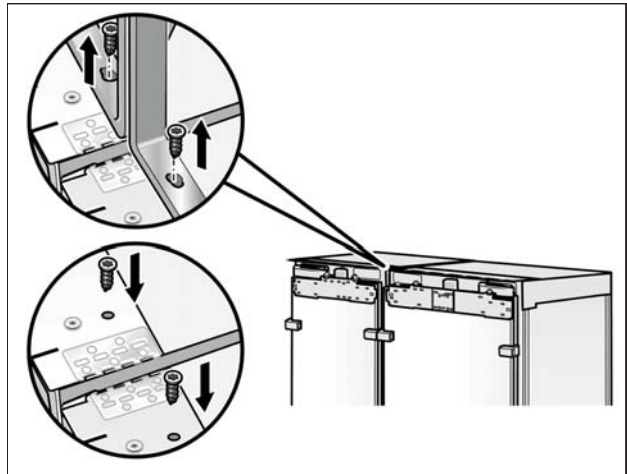


8. Pull the appliances together at the bottom with Water pump pliers.

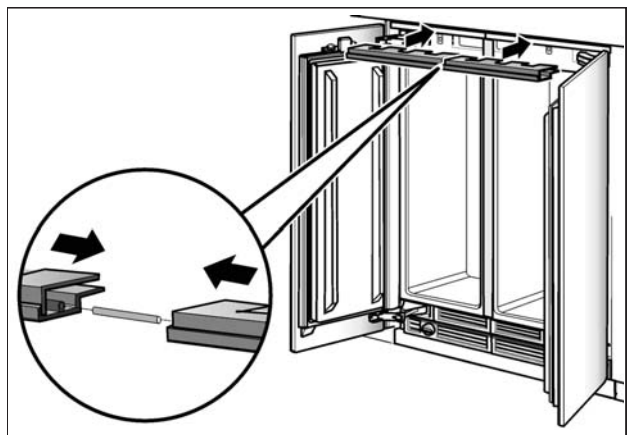
9. When the appliances have been completely pulled together, insert the bar into the lower plates. Use a tool to push the bar in all the way.



10. Remove the installation aids.



11. To attach the cover strip to the attachment plate (top):
 Connect both cover rails to the bolt included in the Side-by-Side kit.





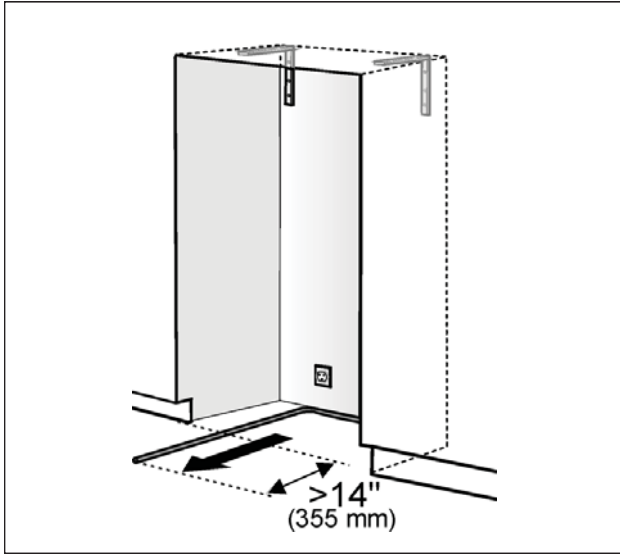
Preparing to connect the water

(only for appliances which require a water connection)

Note:

Turn off the main water tap to prevent damage caused by leaking water.

1. Attach the water line to the shut-off valve according to the instructions supplied by the manufacturer of the ice maker installation kit.
2. Install the water line.
Always observe the indicated dimensions to prevent damage to the water line when pushing in the appliance.



Connecting the water to the appliance

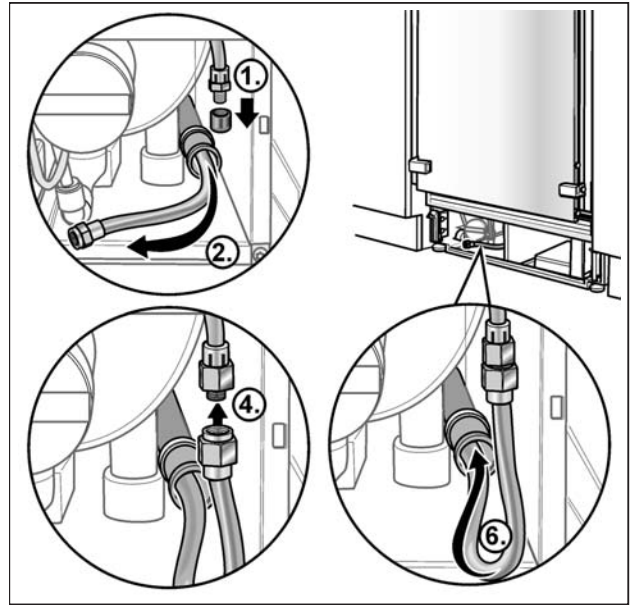
(only for appliances which require a water connection)

Note:

When bending the water line, do not kink it, otherwise there is a **risk of leaks and water damage**.

1. Remove the cap from the appliance connection.
2. Bend the water line according to the location of the connection on the appliance.
3. Push the union nut and seal onto the water line.
4. Push the end of the water line into the appliance connection and screw on the union nut.
5. Using the open-ended wrench, tighten the union nut.
Do not overturn!

6. Push back the water line into the guard tube as far as possible.

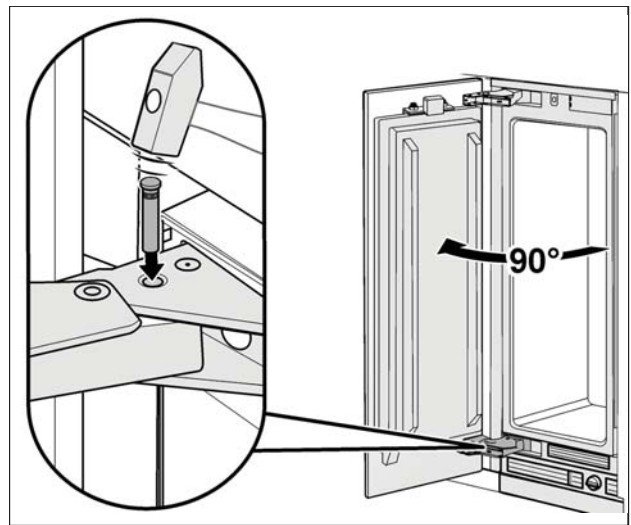


7. Open the shut-off valve and main water tap.
8. Check the connection on the shut-off valve and on the appliance for leaks.
9. Close the shut-off valve.

Adjusting the door opening angle

Depending on the installation situation, it may be necessary to adjust the door opening angle. A door opening angle of 115° has been set at the factory. To adjust the door opening angle to 90°:

1. Open door to 90°.
2. Insert the banking pin through the boreholes which are now vertically aligned and drive in with a hammer.



fr Table des matières


Consignes de sécurité et avertissements.....	30
IMPORTANT	30
Générale.....	30
Définition	30
Options d'installation.....	31
Appareil individuel.....	31
Côte à côte.....	31
Appareils individuels avec séparation.....	31
Appareils individuels à l'extrémité des cuisines intégrées	31
Installation	32
Local d'installation.....	32
Catégories climatiques.....	32
Installation sans risque de renversement.....	32
Cavité d'installation	32
Meubles.....	32
Sol	32
Alignement de l'appareil	32
Raccordement à l'alimentation électrique	33
Raccordement de l'eau	33
Dimensions de la cavité d'installation.....	34
Accessoires et outillage requis	35
Accessoires fournis	35
Accessoires en option	35
Autres accessoires requis	35
Autres	35
Outils.....	35
Instructions d'installation.....	36
1. Vérification de la cavité d'installation	36
2. Enlèvement de l'emballage	36
3. Transport de l'appareil	37
4. Préparation du montage	37
5. Installation spéciale.....	37

A	1. Fixation des cornières antirenversement	38
	2. Fixation d'un dispositif antirenversement alternatif	39
	3. Fixation du protège-bords	39

B	1. Pousser l'appareil dans la cavité d'installation	40
	2. Alignement de l'appareil dans la cavité d'installation	41
	3. Fixation de l'appareil dans la cavité d'installation	42

C	1. Fixation du bandeau de socle.....	43
	2. Alignement du bandeau de socle	43
	3. Mise en service de l'appareil	44
	4. Préparation des portes de meubles	44
	5. Application d'une charge à la porte de l'appareil	44
	6. Enlever l'accessoire de positionnement	44
	7. Fixation du rail d'ajustage contre la porte du meuble	44
	8. Montage des bandes de fixation contre le panneau de porte	45
	9. Fixation de la porte de meuble	46
	10. Fixation des brides inférieures	47
	11. Fixation des couvercles	48
	12. Montage du séparateur d'air	48
	13. Changement du ressort de porte	48

Installation spéciale

	Inversion du sens d'ouverture des portes....	49
	Enlèvement/transfert du tapis d'étanchéité..	52
	Installation côte à côte	52
	Préparation du raccordement de l'eau	54
	Raccordement de l'eau à l'appareil.....	54
	Ajustage de l'angle d'ouverture de porte.....	54



Consignes de sécurité et avertissements

VEUILLEZ LIRE ET CONSERVER CES INSTRUCTIONS !

Cette notice de montage est destinée à vous aider lors de l'incorporation de votre nouvel appareil.

Toutefois, le fabricant ne pourra pas être tenu responsable d'un montage incorrect.

Nous recommandons de confier l'implantation et la mise en service à un spécialiste qualifié.

Le respect de toutes les consignes et instructions figurant dans cette notice de montage est le préalable d'un montage et d'une mise en service sûrs de cet appareil.

Rangez la notice de montage dans un endroit sûr en vue de sa réutilisation future.

Avant l'implantation et la mise en service, lisez cette notice de montage attentivement et entièrement.



AVERTISSEMENT :

Le centre de gravité de cet appareil se trouve assez haut dans celui-ci. Il faut donc sécuriser l'appareil pour l'empêcher de basculer en avant.

Une protection anti-renversement est nécessaire.

Maintenez les portes de l'appareil fermées jusqu'à ce qu'il ait été installé et sécurisé conformément aux instructions d'installation.

Vu le poids et la taille de l'appareil et pour réduire le risque de dommages corporels et d'endommagement du produit, IL FAUT DEUX PERSONNES POUR RÉALISER L'INSTALLATION CORRECTEMENT.

Cet appareil doit être correctement relié à la terre. Voir le chapitre « Raccordement à l'alimentation électrique ».

Veillez n'utiliser cet appareil qu'aux fins pour lesquelles il a été prévu.

Réparez ou remplacez immédiatement les cordons d'alimentation électrique qui se sont usés ou sont endommagés.

Débranchez l'appareil ou ramenez le disjoncteur en position éteinte avant de nettoyer ou d'effectuer des réparations.

Les réparations sont réservées à un technicien qualifié du service après-vente.



ATTENTION :

L'installation de cet appareil oblige à détenir des connaissances de bases en mécanique, en menuiserie et en plomberie.

La responsabilité d'une installation adéquate revient à l'installateur.

Une défaillance du produit due à son installation incorrecte n'est pas couverte par la garantie dont bénéficie l'appareil.

Veillez vous reporter au manuel de l'utilisateur pour connaître les informations sur la garantie.

IMPORTANT

Veillez conserver ces instructions pour usage par l'inspecteur local. Veuillez observer tous les règlements et ordonnances.

Remarque à l'intention de l'installateur – Veuillez bien à laisser les présentes instructions au client.

Remarque à l'intention du consommateur – Veuillez conserver les présentes instructions avec votre manuel de l'utilisateur. Ils vous permettront de vous y reporter ultérieurement.

Générale

Les présentes instructions d'installation sont destinées à être utilisées par des installateurs qualifiés. Tous les raccordements de l'eau, de l'électricité et à la terre doivent se conformer aux règlements et ordonnances locaux, ils doivent être réalisés par du personnel sous licence lorsque nécessaire. En l'absence de réglementation locale :

- Aux USA : en conformité avec le National Electric Code, ANSI/NFPA70 en son édition la plus récente, avec les règlements des États et municipaux et/ou les règlements locaux.
- Au Canada : en conformité avec le Code canadien de l'électricité C22.1 en son édition la plus récente, avec les règlements des provinces et municipaux et/ou les règlements locaux.

Remarque :

Cette mention sert à attirer votre attention sur un aspect particulier.

Définition



AVERTISSEMENT :

Ceci signifie qu'un danger de mort ou de blessure grave peut surgir si cet avertissement n'est pas respecté.



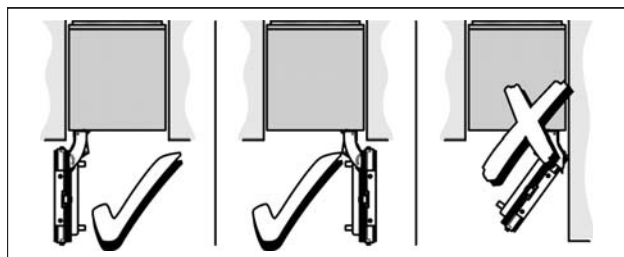
ATTENTION :

Ceci signifie qu'un risque de blessures légères à moyennement graves peut surgir si cet avertissement n'est pas respecté.

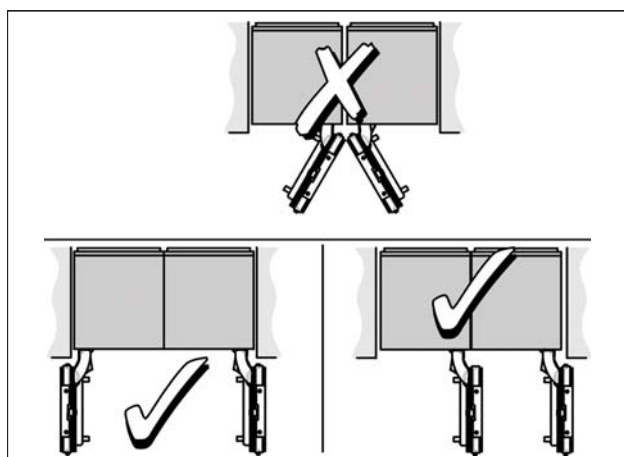
Options d'installation

Il y a plusieurs options d'installation différentes. Elles sont limitées seulement par l'agencement de votre cuisine et par la fonction du bandeau protège-doigts. Voir également « Conseils succincts pour la conception de la cuisine (Kitchen Design Quick Reference) ».

Appareil individuel



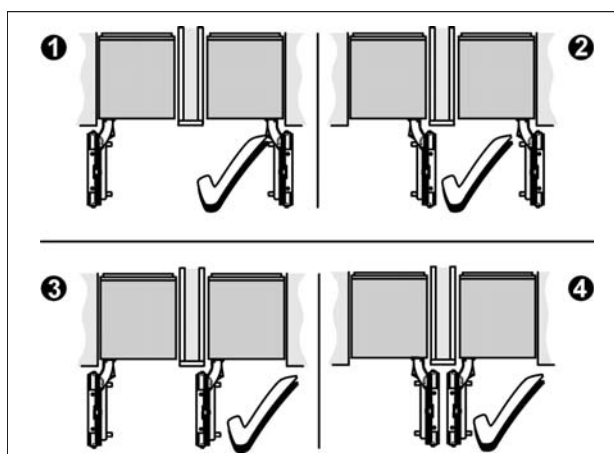
Côte à côte



Si vous installez 2 appareils directement l'un à côté de l'autre, il faudra utiliser le kit d'étanchéité pour la combinaison côte à côte, ceci afin de garantir une jonction robuste.

Détails à ce sujet : voir le chapitre « Accessoires et outillage requis ».

Appareils individuels avec séparation



- Lorsque vous dimensionnez la séparation affectée à la configuration 4 ci-dessus, notez l'épaisseur de la façade des meubles pour empêcher des dégâts lors de l'ouverture simultanée des portes.
- Utilisez le kit de chauffage pour combinaison extrême, si l'espace vide entre les appareils est inférieur à 6" (160 mm). Voir le chapitre « Accessoires et outillage requis », section « Accessoires en option ».
- Épaisseur minimum de la séparation $\frac{5}{8}$ " (16 mm).

Appareils individuels à l'extrémité des cuisines intégrées

Si un côté de l'appareil est visible, il faudra utiliser un panneau latéral.

Le panneau latéral doit être fermement fixé contre le mur, le sol ou un placard/le appareillages situés au-dessus avant de placer l'appareil dans la cavité.

Pour dimensionner le panneau latéral, basez-vous sur les dimensions du panneau opposé formant la cavité. Pendant l'installation, veillez à ce que la cavité reste à angles droits et qu'elle ait la taille exacte.

Installation



AVERTISSEMENT :

N'installez pas cet appareil :

- en plein air,
- dans un environnement où de l'eau goutte,
- dans des locaux où règne une température inférieure à 32 °F (0 °C).
- Un appareil plein est très lourd.

Réfrigérateur 30"	env. 1110 lbs/500 kg
Congélateur 18"	env. 560 lbs/250 kg

Local d'installation

Il faudra installer l'appareil dans une pièce sèche et bien aérée.

Il faudra que le site ne soit pas exposé à un ensoleillement direct et qu'il ne se trouve pas à côté d'une cuisinière, d'un radiateur, etc. Si l'installation à côté d'une source de chaleur est inévitable, il faudra utiliser une plaque isolante appropriée, ou respecter les écarts minimums suivants par rapport à la source de chaleur :

- 1 1/4" (3 cm) d'une cuisinière électrique.
- 12" (30 cm) par rapport à un appareil de chauffage au fuel ou au charbon.

Sur l'emplacement, le sol ne doit pas s'affaisser. Renforcez-le le cas échéant. Afin que le distributeur de glaçons fonctionne impeccablement, l'appareil doit se trouver parfaitement à la verticale.

Catégories climatiques

La catégorie climatique à laquelle appartient l'appareil figure sur sa plaque signalétique. Elle indique dans quelles plages de température il est possible de faire fonctionner l'appareil.

Catégorie climatique	Température ambiante admissible
SN	50 °F to 90 °F (+10 °C to 32 °C)
N	61 °F to 90 °F (+16 °C to 32 °C)
ST	61 °F to 100 °F (+16 °C to 38 °C)
T	61 °F to 110 °F (+16 °C to 43 °C)

Installation sans risque de renversement

L'appareil est très lourd et tend à basculer en avant lorsque vous ouvrez la porte.

N'ouvrez jamais la porte tant qu'un moyen empêchant l'appareil de se renverser n'a pas été installé.

La méthode la plus sûre pour installer l'appareil dans une position stable consiste à utiliser les dispositifs antirenversement livrés d'origine.

Si la cavité d'installation est suffisamment solide et si l'appareil a été fixé de manière sûre contre les parois supérieure et latérales de cette cavité, cela lui apportera une stabilité additionnelle. Prérequis indispensable à cela : il faut que la cavité d'installation soit fermement fixée contre le mur arrière !

En cas de doute, contactez un architecte ou un expert en bâtiment.

Cavité d'installation

Il est important de respecter les dimensions indiquées de la cavité d'installation afin de permettre l'incorporation sans problème de l'appareil et de respecter l'aspect ultérieur de la façade des meubles de cuisine.

Il faut veiller en particulier à ce que les parois de la cavité soient perpendiculaires. Les parois latérales ne doivent pas comporter de garnitures en surépaisseur, saillies ou défauts de planéité.

La perpendicularité des parois de la cavité est vérifiable à l'aide de moyens appropriés, par exemple niveau à bulle, mesures en diagonales, etc.

Les parois latérales et le plafond supérieur de la cavité doivent faire au moins 5/8" (16 mm) d'épaisseur.

Meubles

Vissez le nouvel appareil fermement contre les parties latérales du placard et les placards supérieurs.

Pour cette raison, il faut veiller à ce que tous les placards supérieurs contre lesquels il faut fixer quelque chose soient fermement reliés à la surface porteuse ou au mur par des moyens appropriés.

Le bandeau de socle doit faire au minimum 3/4" (19 mm) d'épaisseur.

Sol

Pour être sûr que l'appareil a été installé de façon sûre et qu'il fonctionne correctement, le sol doit être plat et horizontal.

Le sol doit être constitué d'un matériau dur et rigide. La surface d'installation doit se trouver au même niveau que le reste de la pièce.

Compte tenu du poids élevé de l'appareil lorsqu'il est plein, il faut que le sol offre la portance nécessaire. En cas de doute, contactez un architecte ou un expert en bâtiment.

Alignement de l'appareil

Pour assurer que l'appareil fonctionne correctement, il faut le niveler de façon correcte.

Si l'appareil n'est pas nivelé, de l'eau risque de couler du distributeur de glace, les glaçons risquent d'être irréguliers ou les portes risquent de ne pas se fermer correctement.

Raccordement à l'alimentation électrique

AVERTISSEMENT :

- Évitez le risque de choc électrique !
- Connectez avec une prise femelle tripolaire reliée à la terre. N'enlevez jamais la phase de terre. N'utilisez aucun adaptateur. N'utilisez aucun prolongateur.
- Une erreur dans l'exécution de ces instructions peut entraîner la mort, un incendie ou un choc électrique. La connexion incorrecte du fil de terre peut entraîner un choc électrique. Si vous n'êtes pas certain(e) que l'appareil a été correctement connecté à la terre, faites-le vérifier par un électricien qualifié ou par un technicien du service après-vente.

La prise doit être proche de l'appareil et demeurer librement accessible même après avoir installé ce dernier. L'appareil est conforme à la classe de protection I. Connectez l'appareil au courant alternatif 115 Hz / 60 Hz, via une prise femelle installée réglementairement et comportant un fil de terre. La prise doit être protégée par un fusible supportant un ampérage de 10 A à 16 A.

L'appareil est livré équipé d'un cordon de raccordement au réseau à trois fils homologué UL. L'appareil requiert une prise à trois pôles. Veuillez dans ce contexte tenir compte du tableau suivant :

Appareil	Ampérage instantané maximal
Réfrigérateur 30"	2.0 ampères
Congélateur 18" (*)	3.5 ampères

(*) avec distributeur d'eau

Vérifiez sur la plaque signalétique si la tension indiquée et le type de courant correspondent au paramétrage de votre réseau électrique. La position de la plaque signalétique est indiquée au chapitre « Service après-vente ».

AVERTISSEMENT :

Il ne faut en aucun cas raccorder l'appareil à des fiches électroniques d'économie d'énergie. Nos appareils peuvent être alimentés via des onduleurs pilotés par le secteur ou à pilotage sinusoïdal. Directement raccordées au secteur public, les installations photovoltaïques font appel à des onduleurs pilotés par le secteur. Dans les solutions en îlots (p. ex. sur les bateaux ou les refuges de montagne), ne disposant pas d'un raccordement direct au secteur électrique public, il faut utiliser des onduleurs à pilotage sinusoïdal.

Raccordement de l'eau

ATTENTION :

Ne raccordez l'appareil qu'à l'eau potable !

Le raccordement de l'eau est une opération exclusivement réservée à un installateur professionnel qui respectera ce faisant les prescriptions publiées par la compagnie distributrice d'eau dans votre localité.

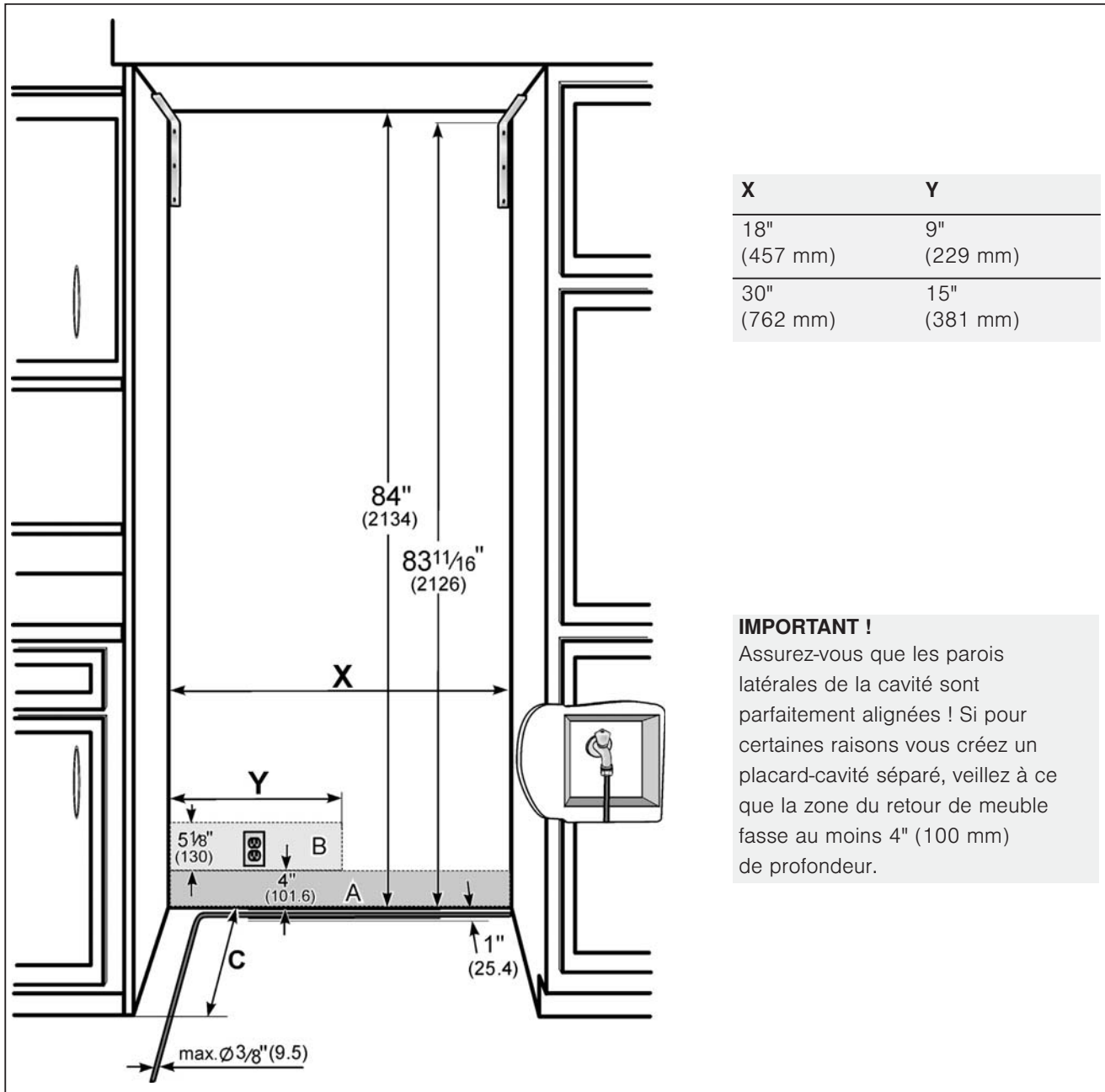
Le fonctionnement du distributeur automatique de glaçons demande la présence d'une arrivée d'eau froide terminée par un raccord. La pression de l'eau doit être comprise entre 25 et 120 p.s.i. (1,72 et 8,25 bars). L'installation doit avoir lieu en respectant la réglementation appliquée par les installateurs d'équipements sanitaires.

Sur la conduite d'arrivée d'eau froide, il faut intercaler un robinet de fermeture à part. Ce robinet ne doit pas se trouver derrière l'appareil. Il est recommandé de monter ce robinet directement à côté de l'appareil ou dans un autre endroit facilement accessible.

Au moment d'installer le raccordement de l'eau, respectez bien les zones admettant le passage de la conduite d'eau. Pour réaliser le raccordement au réseau d'eau potable, il ne faut utiliser que des conduites d'eau adaptées à l'eau potable. Il faut respecter la réglementation nationale et les conditions de raccordement publiées par les compagnies distributrices d'eau locales.

Lors du raccordement de l'eau, examinez les zones d'installation admises pour la conduite. En ce qui concerne les zones d'installation permises et les dimensions, reportez-vous à le chapitre intitulée « Dimensions de la cavité d'installation ». La conduite d'eau (sans les pièces de jonctions) doit faire au maximum $\frac{3}{8}$ " (9,5 mm) de diamètre extérieur.

Dimensions de la cavité d'installation



Légende :

- A** Représente la zone où installer le raccordement de l'eau.
Nous recommandons de placer la boîte à eau à côté de la cavité d'installation de façon à pouvoir l'atteindre, lors d'activités de maintenance, sans devoir désinstaller l'appareil. Si ce n'est pas possible, placez la boîte à eau dans la zone foncée.
- B** Représente la zone où installer le raccordement de l'électricité.
- C** Profondeur d'ouverture de la cavité, ceci dépendant de la configuration de la cuisine.
C = 24" (610 mm) minimum

Accessoires et outillage requis

Accessoires fournis

- Instructions d'installation
- Instructions d'utilisation
- Kit d'installation

Accessoires en option

Kit de chauffage pour combinaison de base côte à côte HEATKITB80

Si l'espace vide entre les appareils est inférieur à 6" (160 mm).

Autres accessoires requis

Kit d'installation de distributeur de glaçons, conduite en cuivre de 1/4" de diamètre extérieur

Ce kit sert à raccorder les appareils qui ont besoin d'eau, par exemple pour alimenter un distributeur de glaçons.

La conduite d'eau (sans les pièces de jonctions) doit faire au maximum 3/8" (9,5 mm) de diamètre extérieur.

Autres

- Escabeau
- Socle mobile, diable brouette
- Perceuse à percussion pour percer des trous dans le mur ou le sol
- Forets adaptés aux matériaux et de différentes dimensions
- Madrier (section minimum 3" x 4") à titre de protection alternative contre le renversement, d'une longueur correspondant à la cavité d'installation
- Vis à bois de différentes tailles
- Matériau mince pour protéger le revêtement de sol (en linoléum par exemple) contre les dégâts
- Matériau approprié pour recouvrir et protéger les meubles (par ex. feuilles protectrices).
- Ruban adhésif

Remarque :

Avant l'utilisation, vérifiez si le ruban adhésif laisse des traces de colle sur les surfaces des pièces ! S'il en laisse, ne l'utilisez pas sur les surfaces de haute qualité.

Outils



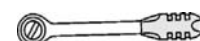
Visseuse sans cordon



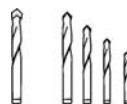
Embout Torx T20 / T30 + support magnétique



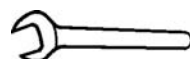
Tournevis Torx T20



Clé à pipe 5/16" (8 mm) pour écrou hexagonal



Forets à bois de différentes tailles



Clé à fourche 1/2", (calibre 13 mm)



Pince multiprises



Clé anglaise



Cutter à lame ajustable



Mètre pliant, mètre à ruban métallique



Équerre



Niveau à bulle de 2' (60 cm) et 4' (1,2 m)



Règle d'alignement, longueur minimum 4' (1,2 m)

Instructions d'installation

La notice de montage suivante décrit les étapes de montage pour différents types d'appareils :

- Unités de réfrigération
- Unités de congélation
- Unités de congélation avec distributeur de glaçons

Pour cette raison et selon les circonstances, il peut arriver que le contenu des illustrations ne corresponde pas exactement avec les appareils réels.

La notice décrit les étapes de montage spécifiques à certains types d'appareils.

1. Vérification de la cavité d'installation

⚠ ATTENTION :

Pour une installation sûre et sans contretemps, utilisez la check-list suivante :

1. Vérifiez le sol.
Voir le chapitre « Installation », section « Sol ».
2. Vérifiez la dimension de la cavité.
Voir le chapitre « Dimensions de la cavité d'installation ».
3. Vérifiez que la cavité présente des angles droits.
4. Vérifiez l'emplacement de la prise.
Voir le chapitre « Raccordement à l'alimentation électrique », et le chapitre « Dimensions de la cavité d'installation ».
5. Vérifiez l'emplacement du branchement de l'eau (uniquement pour les appareils équipés d'un distributeur de glaçons).
Voir le chapitre « Raccordement de l'eau », et le chapitre « Dimensions de la cavité d'installation ».
6. Vérifiez la fixation des meubles/appareillages adjacents. Toutes les pièces constitutives d'un meuble à proximité de l'appareil doivent être fixées de manière sûre contre le mur.
7. Vérifiez que les meubles/appareillages adjacents n'entreront pas en collision (angle d'ouverture de porte).

2. Enlèvement de l'emballage

⚠ AVERTISSEMENT :

Soyez prudent, sinon les personnes qui vous aident risquent de se blesser et l'appareil risque quant à lui de s'endommager !

- L'appareil risque de se renverser pendant son déballage ou si vous ouvrez ses portes.
- L'appareil est très lourd. Les poids à vide :

Réfrigérateur 30"	env. 350 lbs/158 kg
Freezer 18"	env. 255 lbs/115 kg

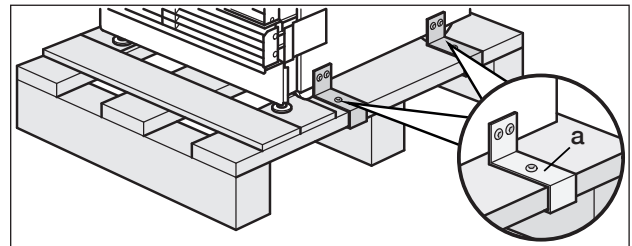
Remarque :

Vérifiez si l'appareil présente des dégâts dus au transport.

Si l'appareil présente des dégâts visibles, ne l'installez pas. En cas d'incertitudes, veuillez prendre contact avec le revendeur.

Pour protéger le sol contre les dégâts pendant l'installation :

1. Enlevez le carton. Utilisez le cutter avec prudence pour ne pas endommager les surfaces de l'appareil.
2. Placez sous l'appareil du carton d'emballage ou du contreplaqué.
3. Retirez les accessoires fixés contre l'extérieur de l'appareil. Conservez les rubans adhésifs avec lesquels les accessoires d'origine étaient fixés contre l'appareil. Ils serviront plus tard à fixer les protège-bords contre les parois de cavité (voir le chapitre « A / 3. Fixation du protège-bords »).
4. Détachez la cale de transport (a) et soulevez l'appareil de la palette – Attention, il est très lourd !



5. Ouvrez prudemment l'appareil – Attention, il risque de se renverser – et retirez les accessoires ainsi que la quincaillerie de montage présente à l'intérieur. Refermez la porte.

Remarque :

N'enlevez les cales de transport, servant à protéger les tiroirs et casiers de rangement dans l'appareil, qu'après avoir achevé l'installation, car ces pièces risquent sinon d'être endommagées.

3. Transport de l'appareil

⚠ **AVERTISSEMENT :**

Soyez prudent sinon les assistants risquent de se blesser ou l'appareil de s'endommager.

L'appareil est très lourd !

L'appareil fait 83 1/8" (2126 mm) de haut. Si le transport en position debout n'est pas possible du fait de la configuration du lieu, il est possible de le transporter couché.

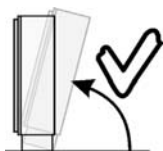
Remarque :

Ne soulevez pas l'appareil par les panneaux latéraux ! Risque d'endommagement !

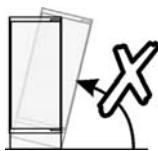
Au moment de redresser l'appareil, respectez la hauteur minimum nécessaire sur le lieu d'installation, ainsi que le contenu du tableau suivant :

Redressement via le dos de l'appareil

Redressement via les panneaux latéraux de l'appareil



Hauteur minimum
86"/2185 mm



Ne soulevez pas l'appareil
par les panneaux
latéraux !

Remarque :

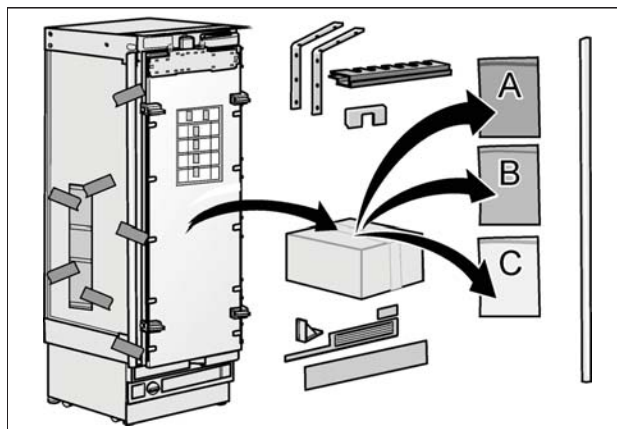
Appliquez toujours le moyen de transport au dos de l'appareil. Ne le passez jamais sous l'avant ou sous un côté de l'appareil. Vous risquez sinon d'endommager l'appareil.



1. Transportez l'appareil avec un moyen de transport approprié au lieu d'installation et à l'appareil (diable, chariot élévateur ou chariot à roulettes).
2. Sécurisez l'appareil pour empêcher son renversement pendant le transport.

4. Préparation du montage

Déballez la quincaillerie de montage et les accessoires. Pour simplifier l'installation, les paquets sont identifiés par les étiquettes A, B et C qui renvoient aux chapitres correspondantes du manuel.



5. Installation spéciale

Les étapes d'installation spéciales sont décrites au-delà de le chapitre C.

Le symbole suivant indique des étapes de travail supplémentaires à effectuer avant de passer au chapitre suivant.



- Inversion du sens d'ouverture de porte, voir « Inversion du sens d'ouverture des portes ».
- Tapis d'étanchéité, voir « Enlèvement/transfert du tapis d'étanchéité »
- Installation côte à côte, voir « Installation côte à côte ».
- Raccordement de l'eau, voir « Préparation du raccordement de l'eau » et « Avec une clé à vis, desserrez les écrous des 4 vis de réglage. ».
- Tige butée de porte, voir « Ajustage de l'angle d'ouverture de porte ».

fr-ca

A

1. Fixation des cornières anti-renversement



AVERTISSEMENT :

Risque de blessures et d'endommagement !
Veillez à ce qu'il n'y ait aucun fil électrique ou conduite dans lesquels les vis risqueraient de pénétrer.



AVERTISSEMENT :

Risques de blessures !
Portez toujours des lunettes enveloppantes ou d'autres dispositifs et équipements de protection nécessaires lorsque vous installez des ancrages ou travaillez avec des ancrages.

Remarque important :

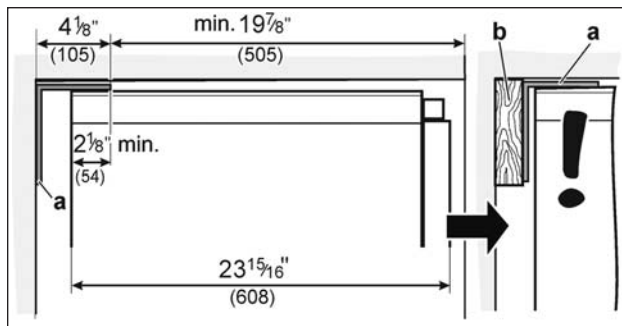
S'il a été prévu d'installer deux appareils côte-à-côte, les cornières anti-renversement sont nécessaires en tant qu'accessoires de montage. Pour cette raison, reliez les deux appareils entre eux avant de fixer les cornières anti-renversement voir « Installation côte à côte ».

Remarque :

- Chaque appareil requiert 2 cornières anti-renversement.
- Le kit fourni contient des vis de fixation destinées à différentes applications. Sélectionnez les vis de fixation conformément aux conditions locales.
- Si les vis livrées d'origine ne permettent pas de fixer de manière sûre les cornières anti-renversement, donc l'appareil, il faudra choisir une autre méthode appropriée pour fixer l'appareil sans risquer qu'il se renverse.

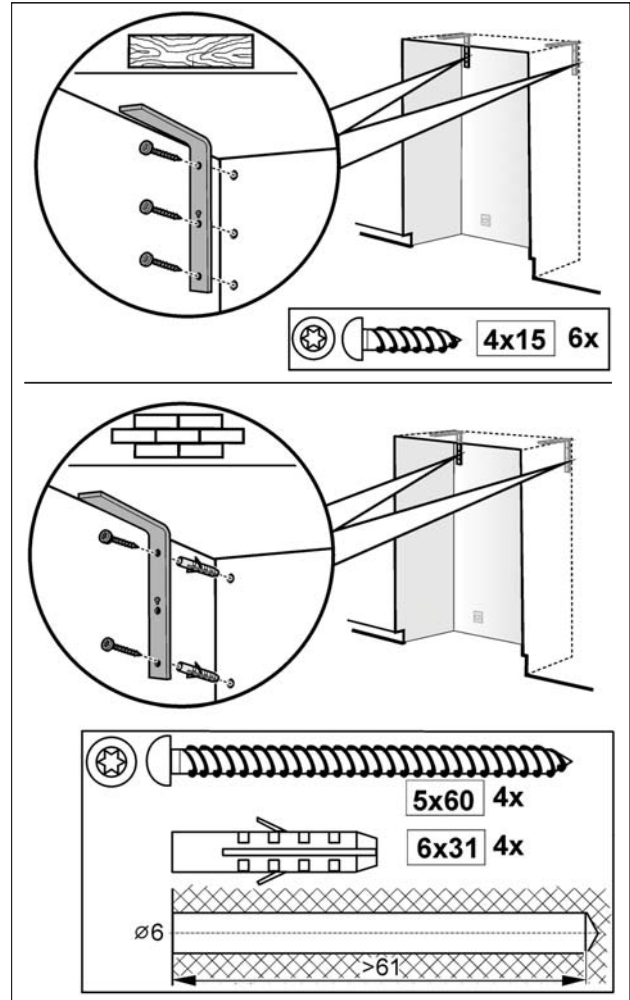
Pour retenir les appareils sûrement à la verticale, les cornières anti-renversement (**a**) doivent les retenir par une longueur d'au minimum 2 1/8" (54 mm).

Si les impératifs structurels empêchent de respecter cette longueur minimum, il est malgré tout possible d'y parvenir en intercalant un dispositif compensateur derrière la cornière anti-renversement, une planche suffisamment épaisse (**b**) par exemple.



Il faudrait que la longueur de la planche corresponde à la largeur de la cavité d'installation !

1. Définissez les points de fixation des cornières anti-renversement.
Déterminez les dimensions détaillées conformément à le chapitre « Dimensions de la cavité d'installation ».
2. Fixez complètement les cornières anti-renversement. Assurez-vous que les vis tiennent fermement.



Remarques importantes visant la fixation par chevilles et vis :

Ancres déconseillées dans la maçonnerie légère ou dans des matériaux tels que les parpaings ou les briques.

Ancres déconseillées dans le béton neuf qui n'a pas encore eu le temps de prendre.

2. Fixation d'un dispositif anti-renversement alternatif

Remarque important :

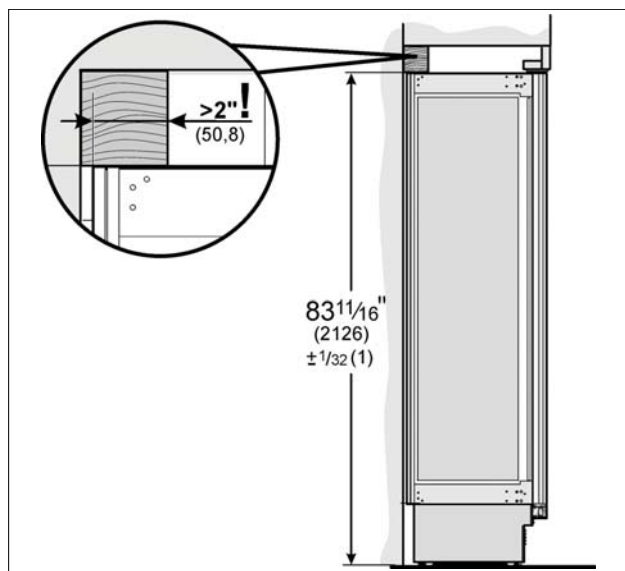
S'il n'est pas possible de fixer les cornières antirenversement de manière sûre, vous pouvez fixer un dispositif anti-renversement alternatif. Toutefois, veillez à ce qu'il n'y ait pas de jeu entre l'appareil et le dispositif anti-renversement. Si possible, vissez toujours le madrier contre les tenons préexistants situés sur le panneau arrière de la cavité.

1. Définissez les points de fixation des cornières antirenversement.

Déterminez les dimensions détaillées conformément à le chapitre « Dimensions d'installation ».

Remarque :

- Si la cavité d'installation est plus profonde que l'appareil, sélectionnez un madrier qui présente une plus forte section ou fixez 2 madriers l'un contre l'autre.
- Le madrier doit recouvrir l'appareil sur au moins 2" (50,8 mm).



2. Sur le panneau arrière de la cavité, marquez la hauteur de l'installation (bord inférieur du madrier).
3. Sélectionnez les vis conformément à l'épaisseur du madrier : longueur = 2,5 min. x épaisseur du madrier, diamètre #12 ou #14.

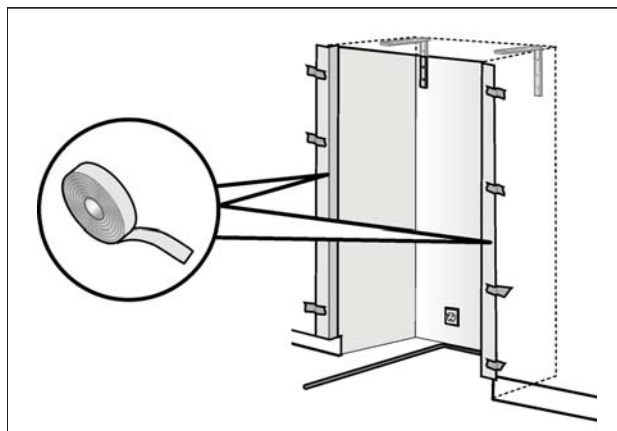
Remarque :

Déterminez le nombre de vis en fonction de la largeur de la cavité, en veillant à ce que le madrier puisse être fixée de manière sûre.

4. Suivant la nature de la surface support :
Recherchez des supports dans la paroi arrière de la cavité et percez les trous dans le madrier en fonction de la position de ces supports ou bien fixez des chevilles appropriées dans la paroi arrière.
5. Percez des trous préparatoires dans le madrier.
6. Fixez le madrier contre le panneau arrière de la cavité.

3. Fixation du protège-bords

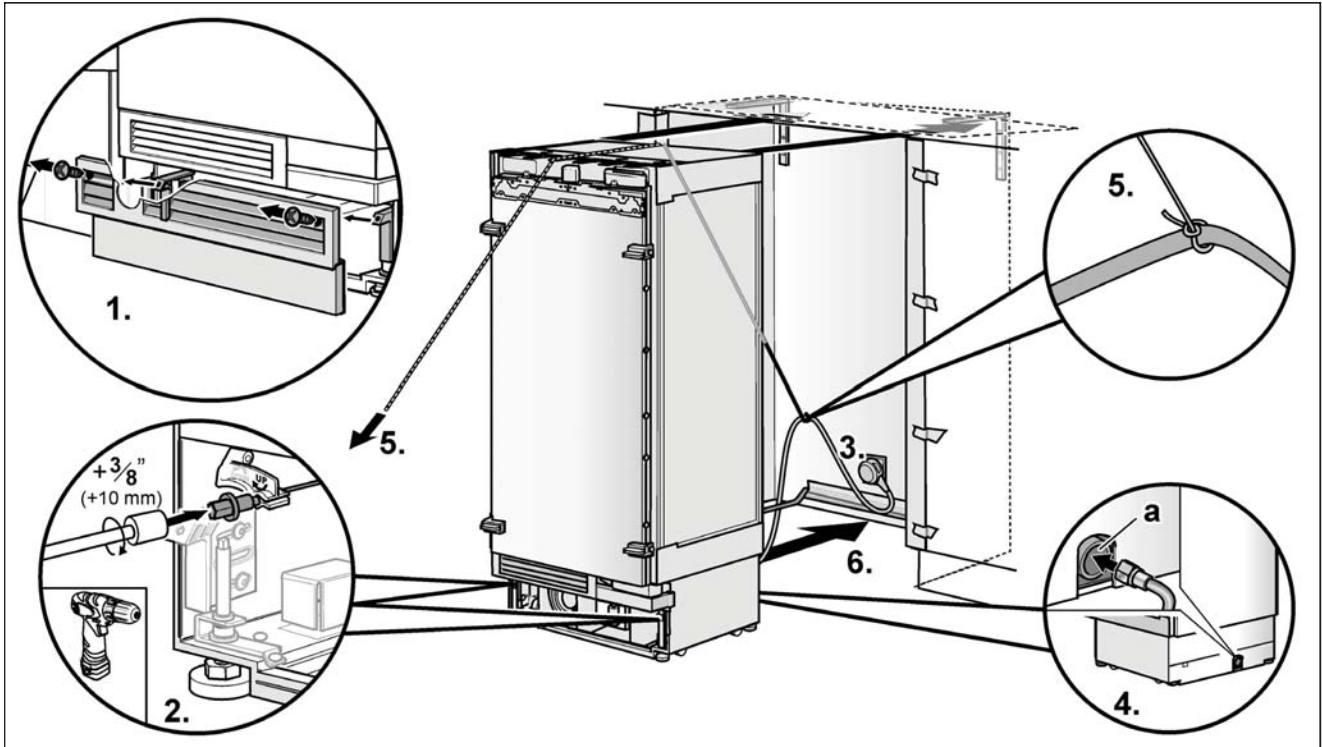
Pour protéger les arêtes de la cavité d'installation, il est recommandé d'utiliser des protège-bords en matériau approprié.



Des étapes de montage spéciales suivent. Des instructions sont fournies au-delà de le chapitre C.

- Inversion du sens d'ouverture de porte, voir « Inversion du sens d'ouverture des portes ».
- Tapis d'étanchéité, voir « Enlèvement/transfert du tapis d'étanchéité »
- Installation côte à côte, voir « Installation côte à côte ».
- Raccordement de l'eau, voir « Préparation du raccordement de l'eau ».

1. Pousser l'appareil dans la cavité d'installation



ATTENTION :

Prudence lorsque vous poussez l'appareil dans la cavité d'installation. Veillez bien à ne pas endommager la conduite d'eau ou le cordon d'alimentation électrique.

Remarque :

Si le plancher ou l'appareil n'est pas horizontal par rapport à la cavité d'installation, ajustez les roues réglables en hauteur avant d'introduire l'appareil dans la cavité d'installation.

1. Retirez le bandeau de socle.
2. A l'arrière, soulevez d'environ $\frac{3}{8}$ " (10 mm) les roues ajustables en hauteur.
3. Branchez la fiche mâle dans la prise de courant.
4. Au dos de l'appareil, poussez le flexible à eau dans le tube de protection (a).



AVERTISSEMENT :

Opérez prudemment car les gens qui aident risquent d'être blessés ou l'appareil risque de s'endommager.

L'appareil risque de se renverser tandis que le flexible à eau pousse dans le tube de protection.

5. Pour empêcher que le cordon électrique ne se coince, nouez une corde à mi-chemin du cordon puis faites passer la corde par dessus l'appareil. Au moment de pousser l'appareil, tirez le cordon électrique vers le haut. Veillez bien à ne pas pincer le cordon électrique ou bien prenez du ruban adhésif, collez le cordon d'alimentation électrique contre le plancher, au centre derrière l'appareil, à env. 15" (380 mm) du panneau arrière de la cavité.
6. Poussez doucement l'appareil dans la cavité d'installation.
7. Retirez les protège-bords (s'ils avaient été fixés).

2. Alignement de l'appareil dans la cavité d'installation

Remarque :

Pour assurer que l'appareil fonctionne correctement, il faut le niveler impeccablement.

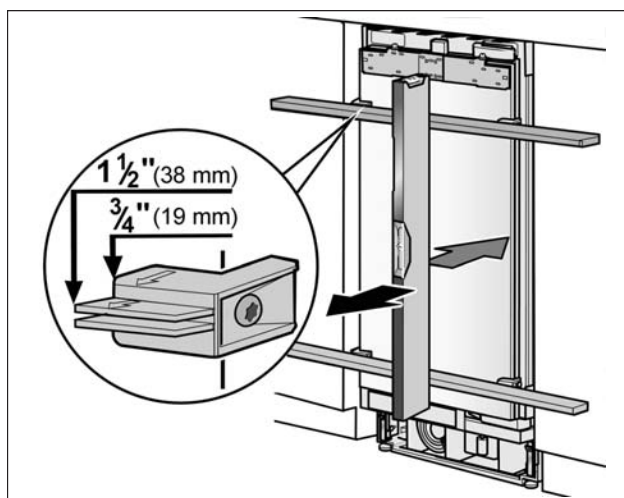
Alignement en profondeur

Ces pièces d'aide à l'installation ont été conçues pour des portes de meuble faisant l'épaisseur totale suivante :

- $\frac{3}{4}$ " (19 mm)
- $1\frac{1}{2}$ " (38 mm)

Tenez toujours compte de l'épaisseur, peut-être différente, des façades de meuble qui devront être installées par la suite.

1. Alignez l'appareil sur la façade des meubles. Placez le niveau à bulle sur les règles situées sur la porte et servant d'aide à l'installation.



Alignement en hauteur

Remarque :

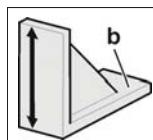
- Ne voilez pas ni ne poussez pas l'appareil de force dans la cavité ! Lorsque vous dévissez les pieds réglables en hauteur, procédez graduellement : alternez en permanence entre les côtés gauche et droit, etc.
- Si vous délestez l'arrière de l'appareil, l'ajustage de ses pieds arrière réglables est plus facile.
- En cas d'utilisation d'un madrier en bois comme sécurité anti-renversement alternative, tournez les pieds réglables en hauteur jusqu'à ce que l'appareil vienne buter contre le madrier. Ne le coinciez pas contre le madrier !

Les pieds réglables en hauteur équipant l'avant et l'arrière de l'appareil se laissent régler depuis l'avant de l'appareil.

Avant :	A l'aide d'une clé à fourche $\frac{1}{2}$ " (calibre 13 mm).
Arrière :	A l'aide d'un tournevis à douille $\frac{5}{16}$ " (8 mm) via une queue flexible.

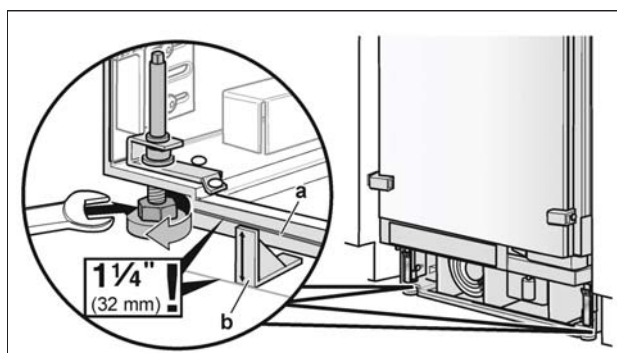
A titre de cote de référence pour l'ajustage en hauteur, une marque (a) a été apposée contre la base de l'appareil. Lors de l'ajustage, il faudra amener cette marque sur une hauteur de $1\frac{1}{4}$ " (32 mm) au-dessus du sol.

Il est très important de respecter cette dimension pour pouvoir ensuite aligner les façades des meubles.

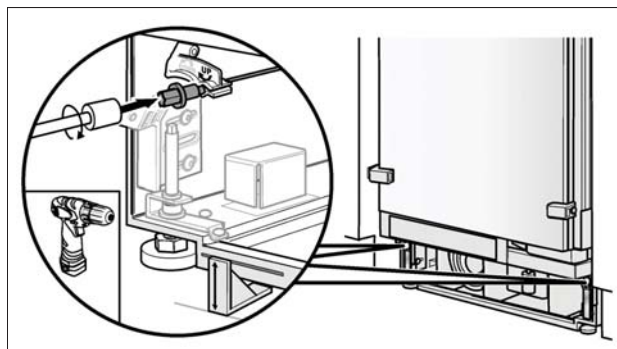


Le gabarit d'ajustage en hauteur (b) sert à régler la hauteur correctement. Il faut que le bord supérieur du gabarit soit aligné sur le marquage figurant sur l'appareil.

2. Dévissez un peu les pieds à l'avant de l'appareil jusqu'à ce que le repère (a) sur ce dernier soit aligné sur le bord supérieur du gabarit d'ajustage en hauteur (b).



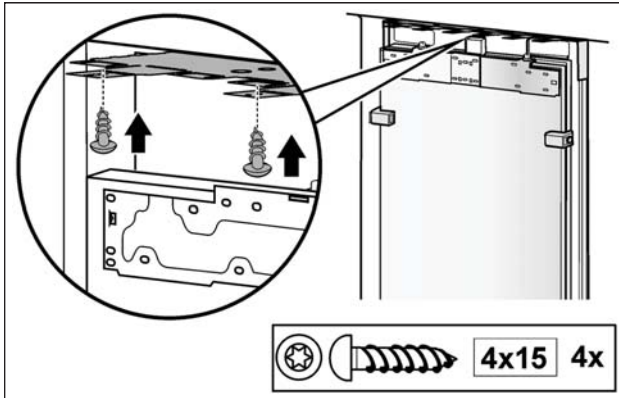
3. Alignez verticalement l'appareil par ses pieds arrière. Utilisez un niveau à bulle !



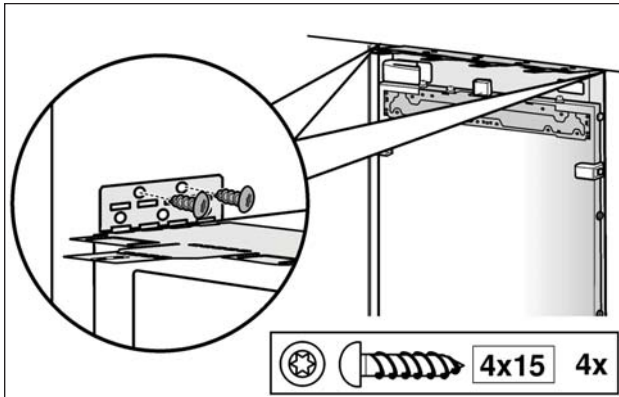
B**3. Fixation de l'appareil dans la cavité d'installation**

Il est d'une importance cruciale de fixer l'appareil contre le plafond de la cavité d'installation.

1. Vissez les pattes de fixation (en haut) contre le meuble/les appareillages du dessus.
2. En présence d'une cavité assez importante au dessus de l'appareil, montez impérativement un madrier aux dimensions adaptées et sans jeu au dessus de l'appareil.



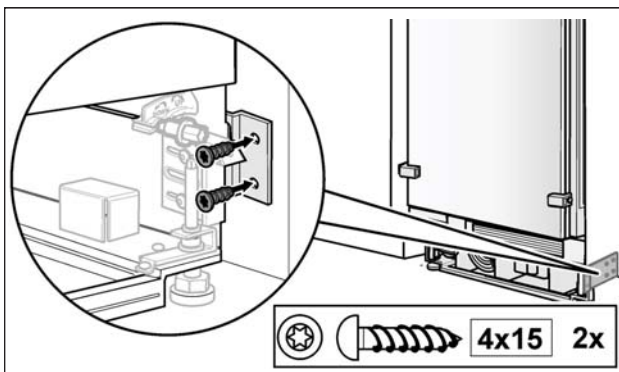
3. S'il y a suffisamment de place au dessus de l'appareil, fixez les pattes latérales (supérieures) de la plaque de montage contre chaque côté de la cavité.



4. Vissez les pattes de fixation (latérales) contre le meuble/les appareillages adjacents (uniquement dans le cas d'un appareil individuel).

Remarque :

Dans un montage côte à côte, cette étape de montage. Ces pièces sont démontées.

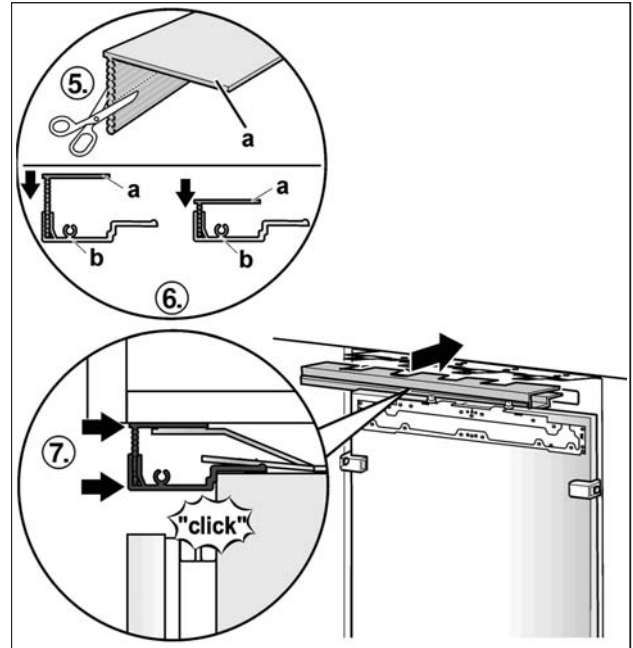


5. Raccourcissez le bandeau d'ajustage (a) pour combler l'interstice.

Remarque :

L'appareil peut être endommagé si le dispositif d'ajustage (a) est trop long.

6. Enfoncez le bandeau d'ajustage (a) dans la baguette couvre-joints.
7. Fixez la baguette couvre-joints (b) contre la plaque de montage (en haut).

**Remarque :**

Dans le cas d'une installation côte à côte, connectez les deux profilés de recouvrement au boulon compris dans les accessoires destinés à l'installation côte à côte.



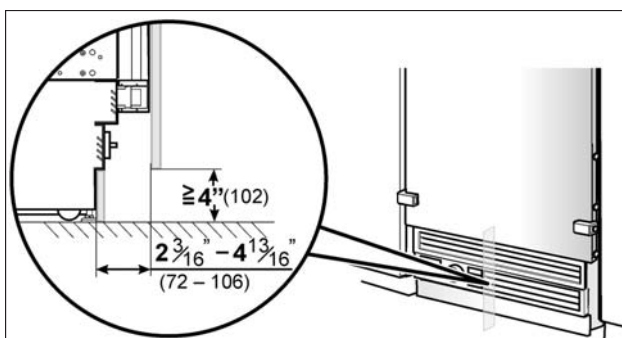
Une étape de montage spéciale suit. Des instructions sont fournies au-delà de le chapitre C.

- Raccordement de l'eau, voir « Avec une clé à vis, desserrez les écrous des 4 vis de réglage ».

1. Fixation du bandeau de socle

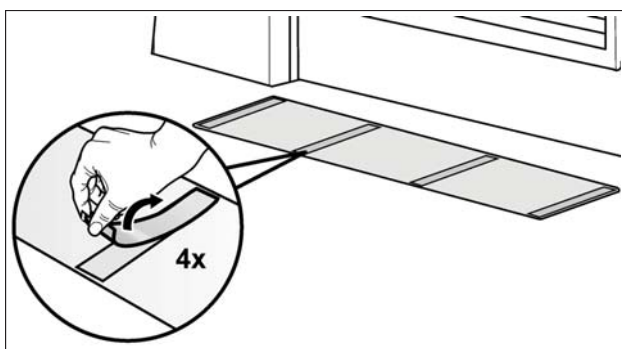
Remarque :

Risque d'endommager l'appareil. Ne recouvrez pas les ouïes de ventilation que comporte le panneau de base. Dimensions nominales à respecter :

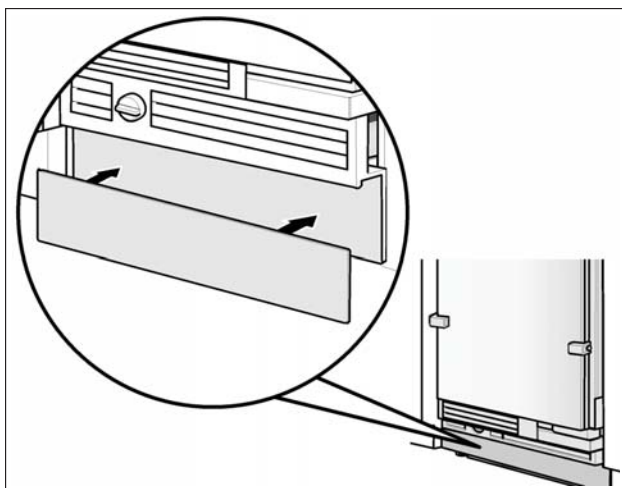


Panneau en acier inoxydable (accessoire)

1. Fixez le panneau de base contre l'appareil (ne le vissez pas dessus).
2. Retirez la pellicule protectrice des bandes adhésives.



3. Présentez le panneau de socle devant le panneau de base et poussez fermement pour le fixer.

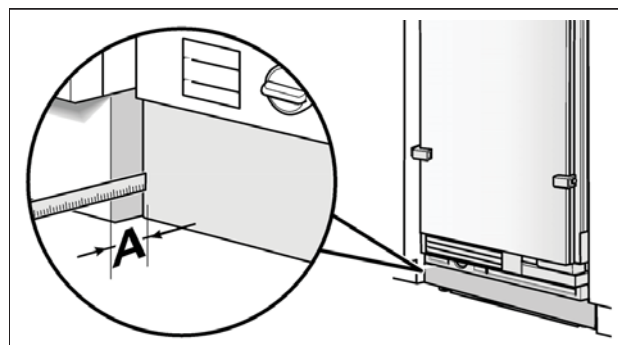


Panneau en bois

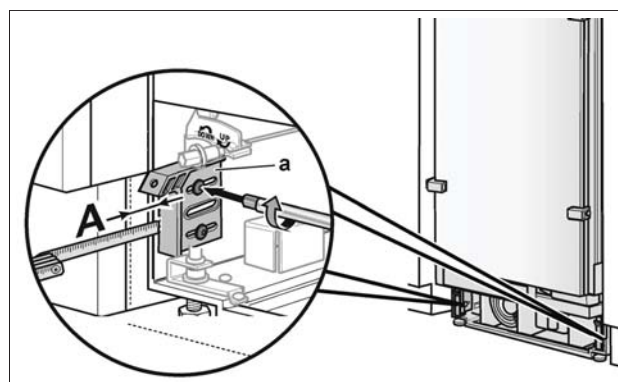
1. Si nécessaire, raccourcissez le panneau de bois à la longueur requise.
2. Par l'arrière, vissez le panneau de bois contre le panneau de base. Des trous taraudés ont été prévus à cette fin dans le panneau de base.

2. Alignement du bandeau de socle

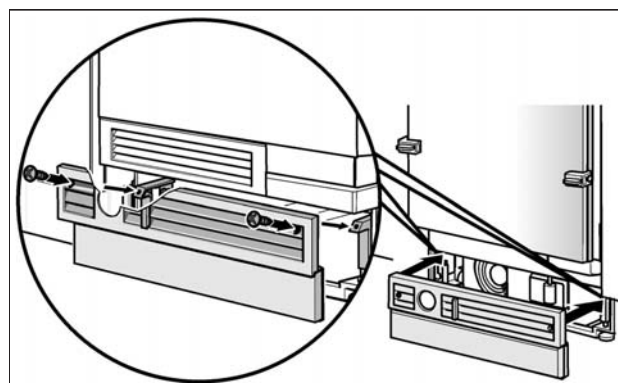
1. Placez le panneau de base (sans visser) puis mesurez la différence de profondeur A entre le panneau de base et le bandeau de socle sur le meuble adjacent.



2. Retirez le panneau de base.
3. Ajustez les brides (a) aux dimensions A puis vissez à fond.



4. Fixez le bandeau de socle contre l'appareil.





3. Mise en service de l'appareil

Pour garantir la précision des étapes de travail suivantes et donc de l'ensemble de la physionomie ultérieure de la façade de la cuisine, il faut mettre l'appareil en service maintenant.

1. Ouvrez la porte de l'appareil.
2. Appuyez sur le bouton POWER.
3. Appuyez à nouveau sur le bouton POWER pour éteindre.

Seulement pour les appareils qui requièrent un raccordement à l'eau courante :

Pour éviter tout risque de dégâts des eaux en cas d'endommagement de la conduite d'arrivée d'eau, le robinet d'obturation doit rester en position fermée.

4. Préparation des portes de meubles

Remarque important :

Lorsque vous effectuez tous travaux sur les portes des meubles, veuillez tenir compte de ceci :

- Vissez toujours dans le matériau, constitutif de la porte, le mieux capable de supporter la charge.
- Sélectionnez toujours une longueur de vis inférieure à l'épaisseur de la façade du meuble.
- Ne vissez jamais dans les garnitures de remplissage, baguettes enjoliveuses ou assimilées.
- Pour prévenir les dégâts, protégez les surfaces du meuble pendant l'installation.

Le poids total de la façade de meuble ne doit pas dépasser les valeurs suivantes :

Appareil de 18" : 44 lbs/20 kg

Appareil de 30" : 64 lbs/29 kg

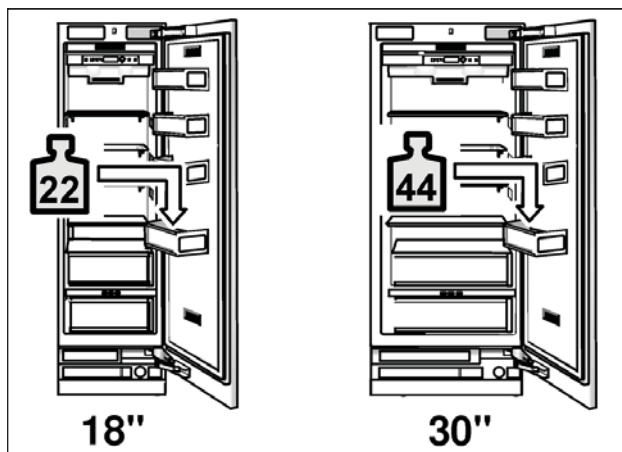
5. Application d'une charge à la porte de l'appareil

Pour parvenir à la plus haute précision possible des cotes interstitielles lors de la fixation des portes de meuble, nous recommandons de mettre des poids dans les casiers en contre-porte.

Recommandations :

Appareil de 18" : 22 lbs/10 kg

Appareil de 30" : 44 lbs/20 kg

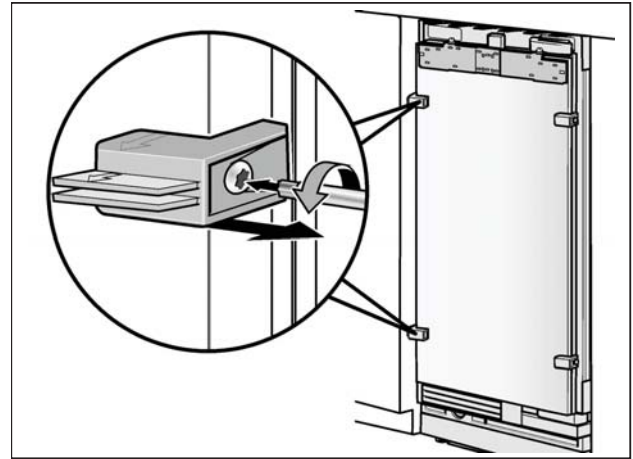


6. Enlever l'accessoire de positionnement

De la porte de l'appareil, dévissez la pièce support d'installation.

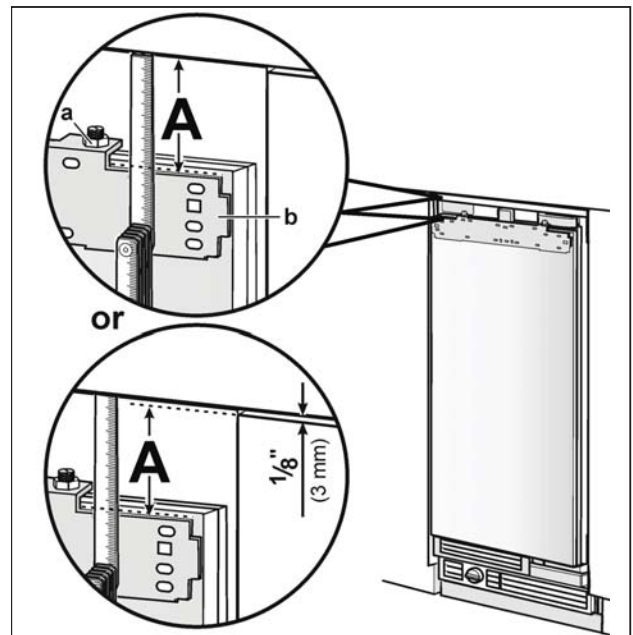
Remarque :

Conservez les accessoires d'aide au positionnement, vous en aurez encore besoin dans la suite du montage.



7. Fixation du rail d'ajustage contre la porte du meuble

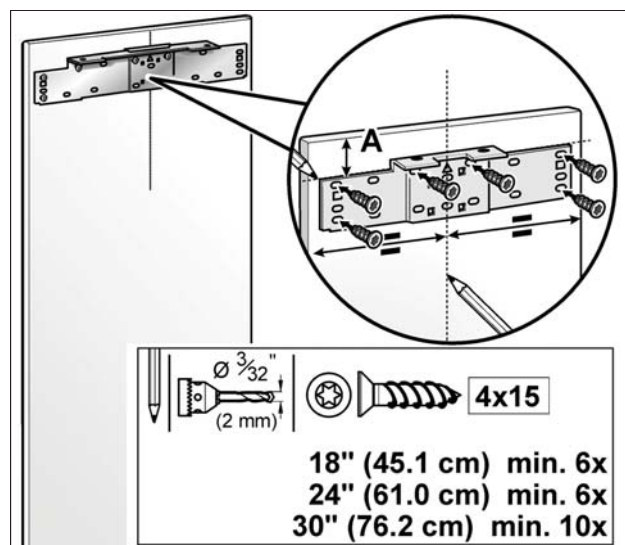
1. Mesurez la distance **A** entre le rail d'ajustage et le meuble/les appareillages situés au-dessus.



2. Desserrez les 2 écrous (a) et retirez le rail d'ajustage (b).
3. Marquez cette distance **A** au dos de la porte du meuble.
4. Déterminez et marquez le centre de la porte du meuble.
5. Montez le rail d'ajustage et alignez le long des marquages. Marquez les emplacements des trous de perçage.
6. Percez les trous.



7. Vissez à fond le rail d'ajustage.



Remarque :

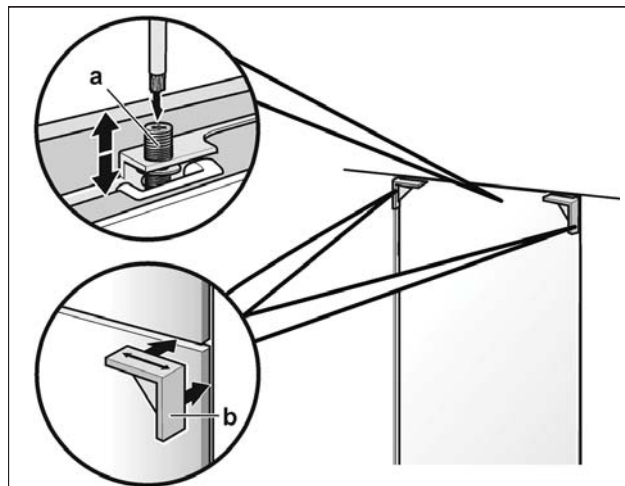
- Vissez le rail d'ajustage contre la porte du meuble à l'aide d'au moins 10 vis. Il faudrait insérer chaque vis sous chaque boulon à double filetage.
- Le rail d'ajustage comporte un ensemble de trous adaptés à différentes options de configuration des portes de meuble.
- Vissez toujours dans le matériau de la porte de meuble le mieux en mesure de supporter la charge.

8. Montage des bandes de fixation contre le panneau de porte

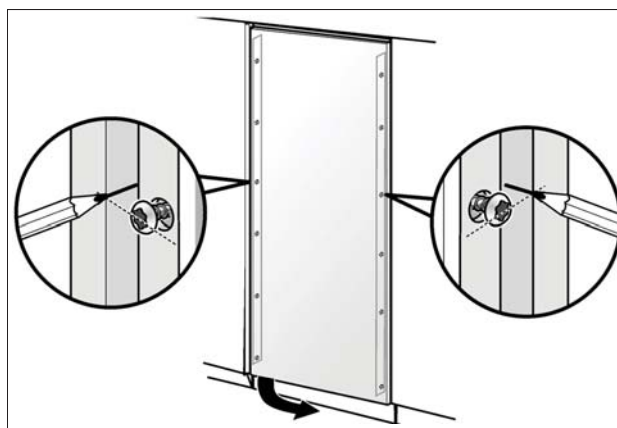
Remarque :

Les bandes de fixation sont préassemblées pour les portes en acier inoxydable. Dans ce cas, passez à l'étape d'installation suivante (« C / 9. Fixation de la porte de meuble »).

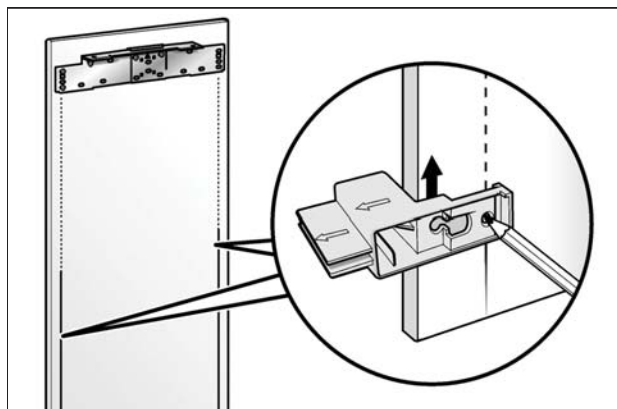
1. Accrochez la porte du meuble contre le boulon à double filetage (a).
2. Alignez la porte du meuble à l'aide des boulons à double filetage (tournevis Torx). Vérifiez continuellement les dimensions de l'interstice. Utilisez le gabarit d'ajustage en hauteur (b).



3. Reportez les trous de perçage médians, situés le long du bord extérieur de la porte de l'appareil, contre la façade du meuble et marquez-les.

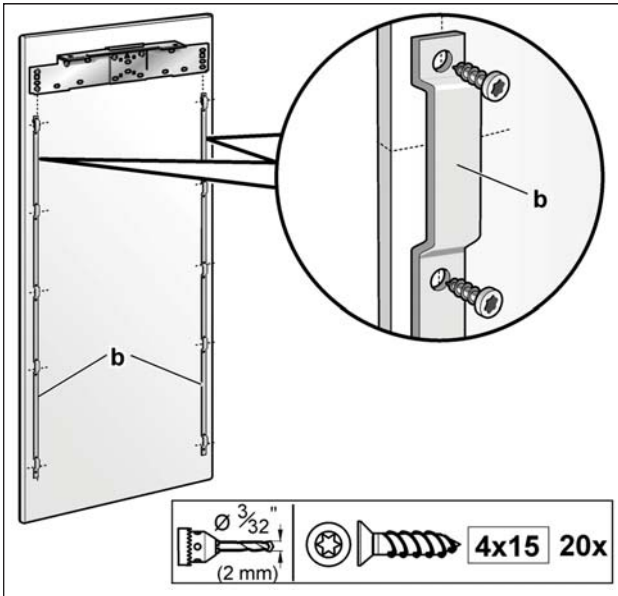


4. Retirez la porte du meuble.
5. A l'aide de l'accessoire d'aide au positionnement, tracez une ligne parallèle à chaque côté longitudinal de la porte du meuble.



6. A l'aide d'une équerre, reliez les marquages (que vous venez d'effectuer) des trous de perçage avec les marquages verticaux.
7. Appliquez la baguette de fixation et marquez l'emplacement des trous.
8. Percez les trous de fixation.

9. Dans les trous, vissez les baguettes de fixation.

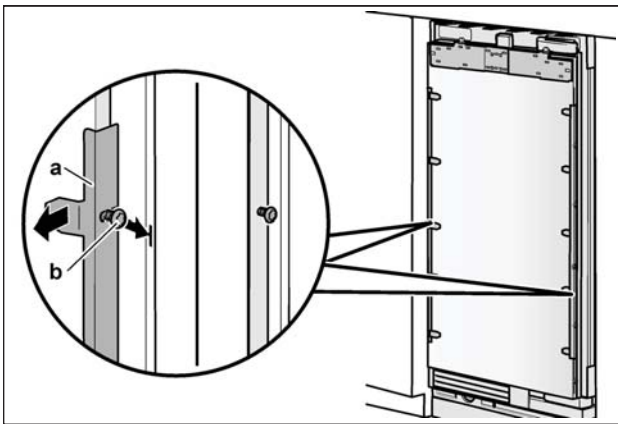


9. Fixation de la porte de meuble

Remarque :

Maintenant, fixez les poignées du meuble. Elles se vissent par l'arrière !

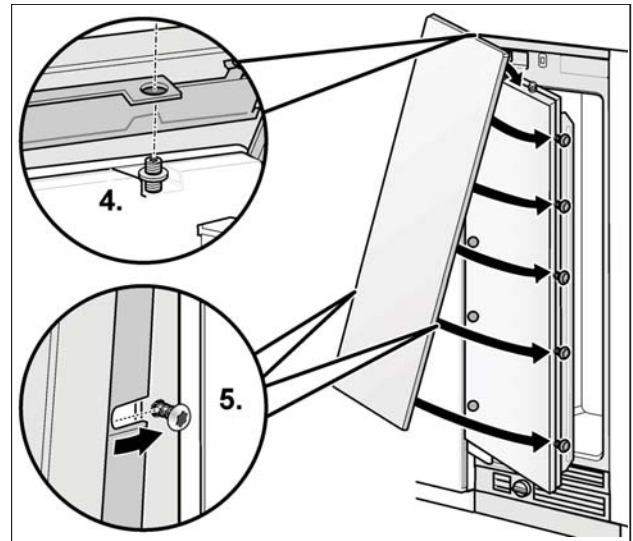
1. Retirez les brides de fixation (a) de la porte de l'appareil. Pour cela, dévissez uniquement les vis (b) des brides.



2. Insérez les brides de fixation (a), que vous venez de retirer, dans les profilés d'ajustage (b) sur le panneau de porte.

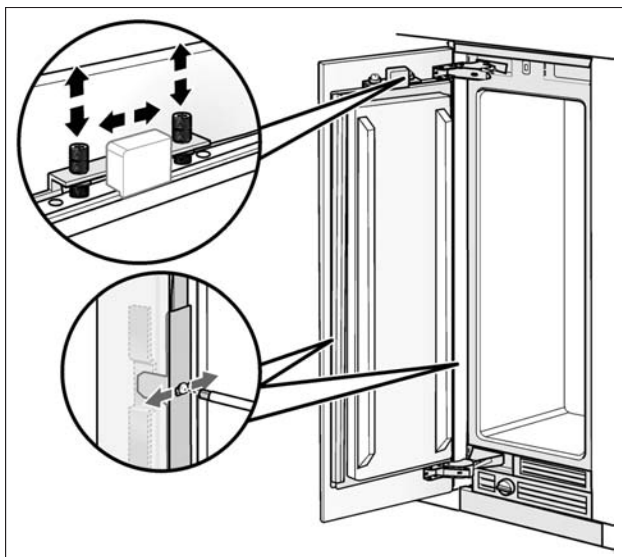


3. Ouvrez la porte de l'appareil.
4. Accrochez la porte de meuble aux goujons filetés.
5. Soulevez légèrement la porte du meuble et faites descendre la baguette de fixation sur les pattes de fixation.

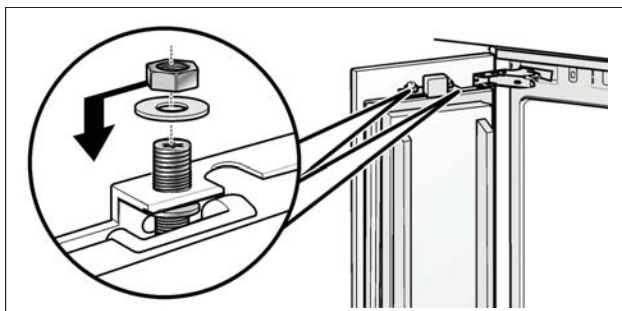


6. Alignez la porte du meuble à l'aide des goujons filetés (utilisez le tournevis Torx). Vérifiez l'interstice sur tout son périmètre.
7. Fermez la porte et vérifiez que la profondeur de la façade de meuble est alignée sur les façades adjacentes. Corrigez si nécessaire.
8. Serrez les vis des brides pour figer la profondeur d'alignement.

9. Refermez la porte et vérifiez l'alignement latéral. Corrigez en tapant légèrement avec la main sur le bord de la porte ouverte du meuble.



10. Serrez les écrous sur le rail d'ajustage. Cette action fixe l'alignement latéral de la porte.

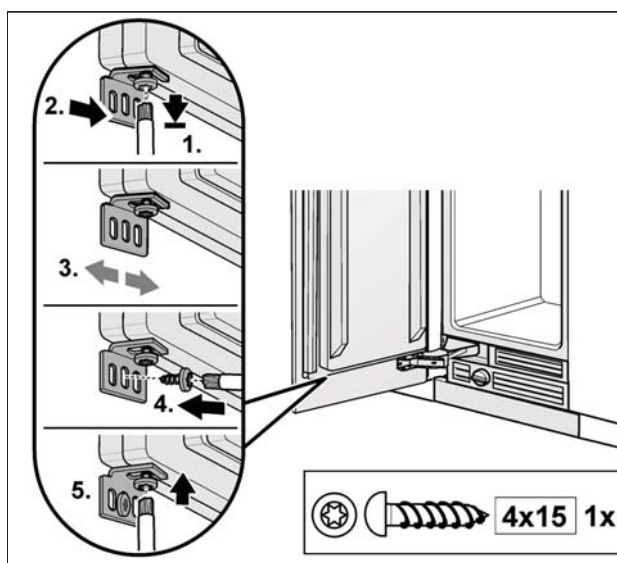


10. Fixation des brides inférieures

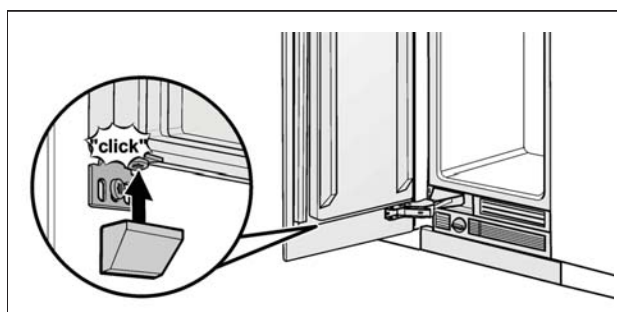
Les brides inférieures servent à bloquer la façade du meuble et empêcher un mouvement latéral. Le nombre de brides inférieures dépend de la largeur et de la conception de la porte du meuble.

Vissez les brides inférieures (elles se trouvent dans le kit d'accompagnement). Percez des trous préparatoires dans la porte du meuble !

1. Desserrez la vis.
2. Poussez la bride inférieure sur la vis.
3. Vérifiez la position latérale de la porte.
4. Vissez la vis à bois.
5. Serrez la vis.



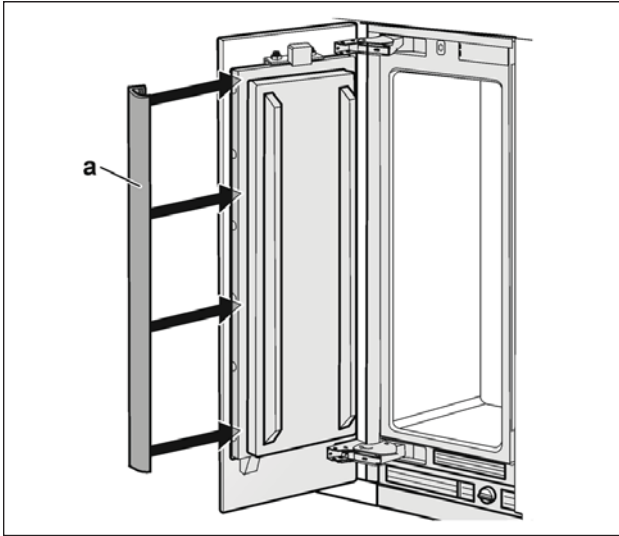
6. Fixez le couvercle sur les brides.



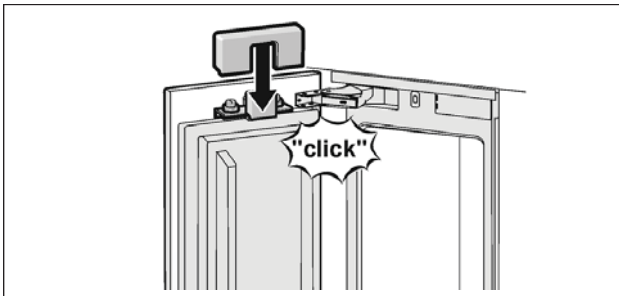


11. Fixation des couvercles

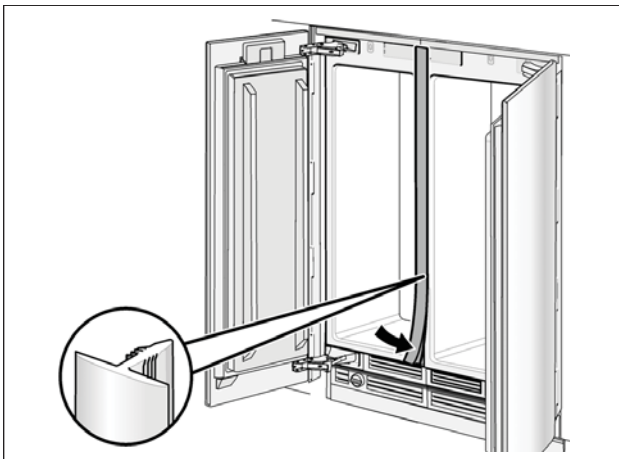
1. Emboîtez les profilés de recouvrement (a) sur la porte.



2. Placez les bandes couvercles contre la porte. Le couvercle de l'interrupteur d'éclairage peut se visser contre la porte.



Installation côte à côte uniquement :

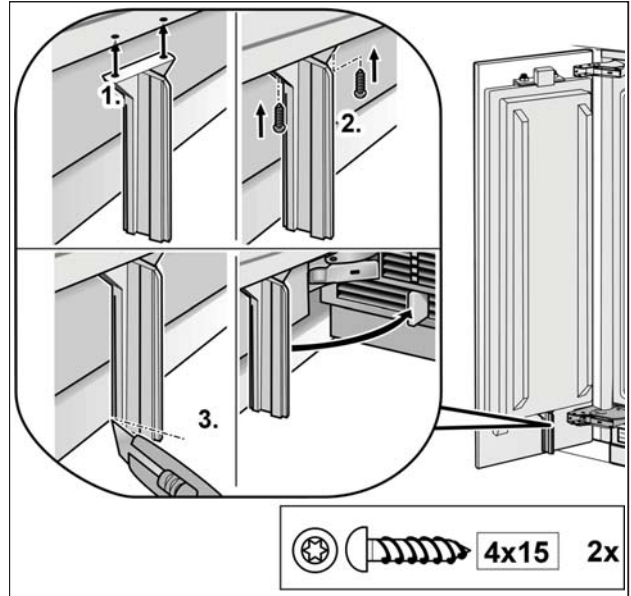


Insérez la bande couvercle dans l'interstice situé entre les appareils.

Le profilé de recouvrement est compris dans les accessoires nécessaires en cas d'installation côte à côte.

12. Montage du séparateur d'air

Montez le séparateur d'air contre la porte du meuble afin de séparer l'air entrant et l'air sortant.

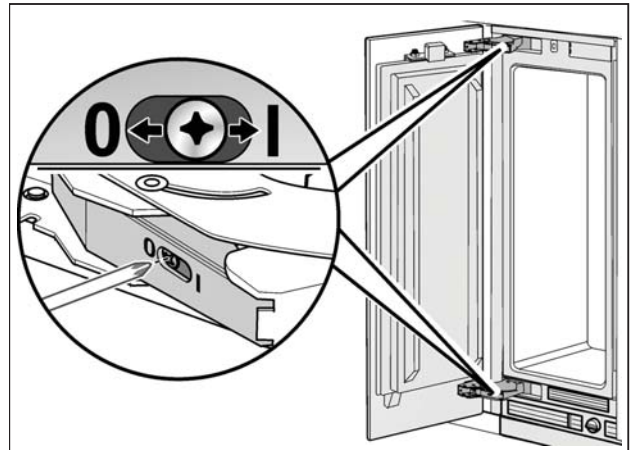


13. Changement du ressort de porte

Tournez la vis de réglage à l'aide d'un tournevis à empreinte cruciforme.

I = Plus forte tension possible du ressort

0 = Pas de tension ressort



Des étapes de montage spéciales suivent. Des instructions sont fournies au-delà de le chapitre C.

- Tige butée de porte, voir « Ajustage de l'angle d'ouverture de porte ».

Avec cette opération prend fin l'incorporation de l'appareil.

Installation spéciale

Inversion du sens d'ouverture des portes

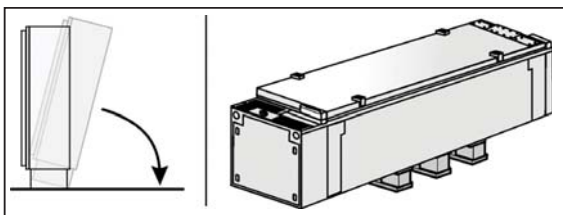
⚠ AVERTISSEMENT :

Risque de blessure !

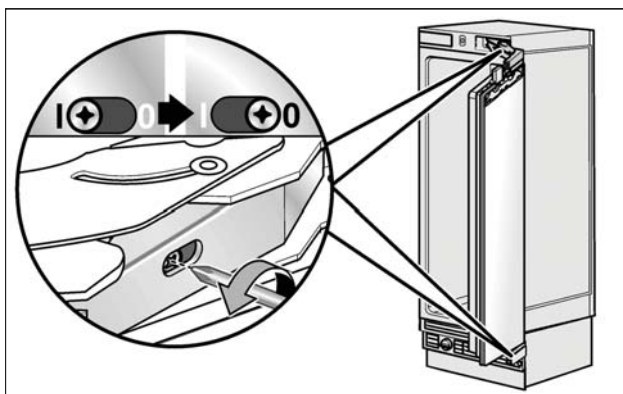
Avant de travailler sur les charnières, détendez le ressort.

Remarque :

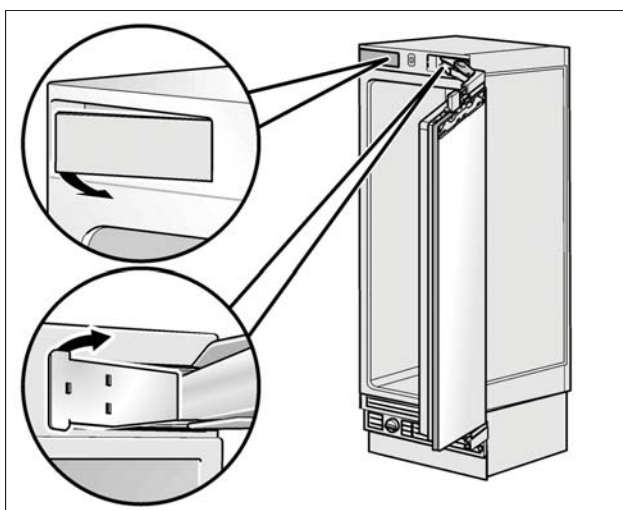
- Sur les congélateurs équipés d'un distributeur de glaçons et d'eau, il n'est pas possible de changer le sens d'ouverture de porte.
- Changer le sens d'ouverture de porte est plus facile si l'appareil se trouve sur le dos au moment de cette opération (placez la palette dessous).



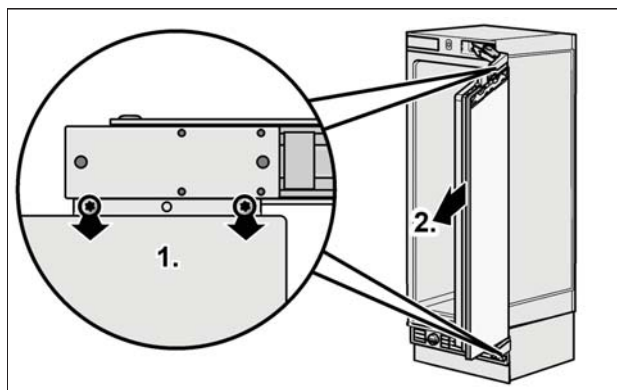
1. Détendez le ressort sur la charnière. Desserrez la vis en l'amenant de **I** à **0**.



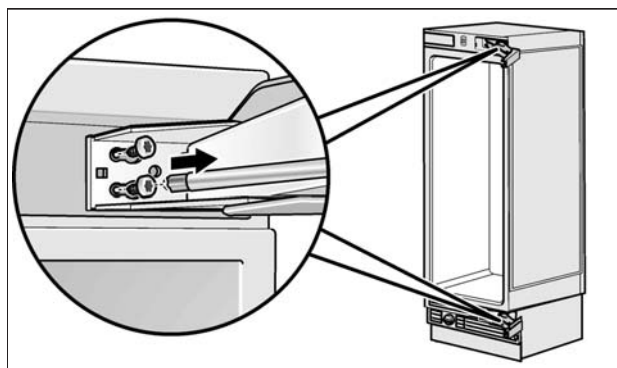
2. Enlevez les couvercles des charnières.



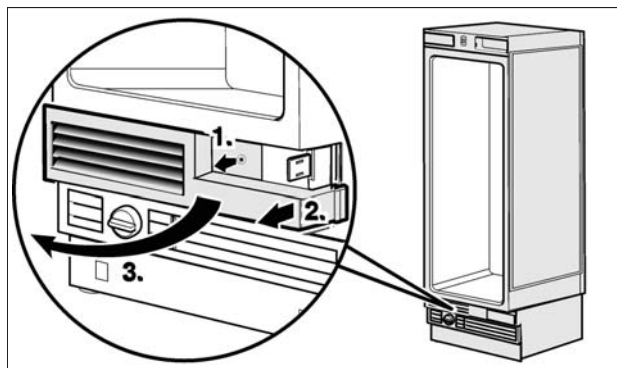
3. Dévissez (1.) puis retirez (2.) la porte.



4. Enlevez les charnières.



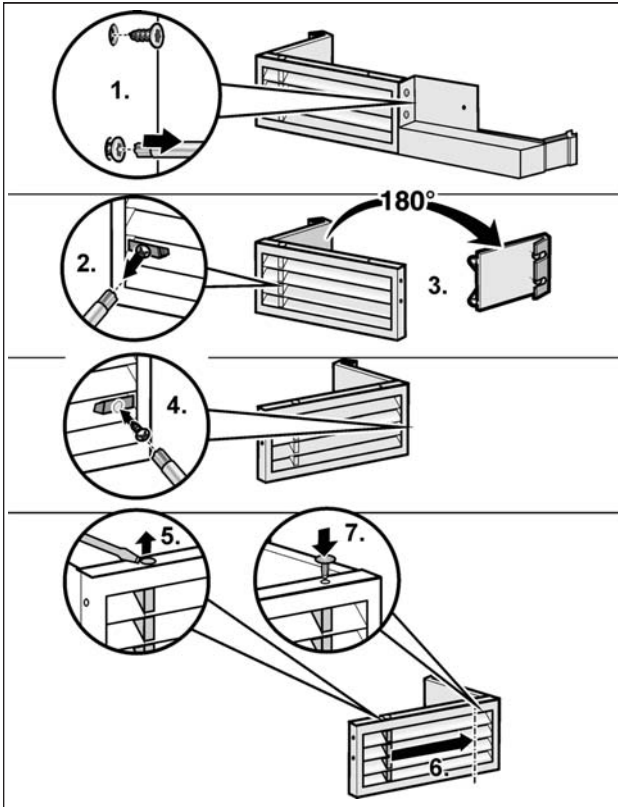
5. Retirez la grille d'aération.



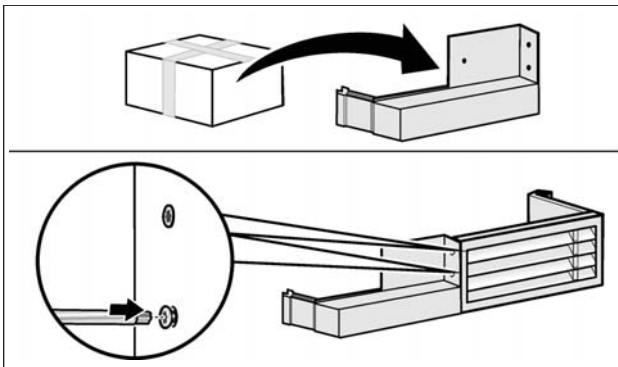
fr-ca



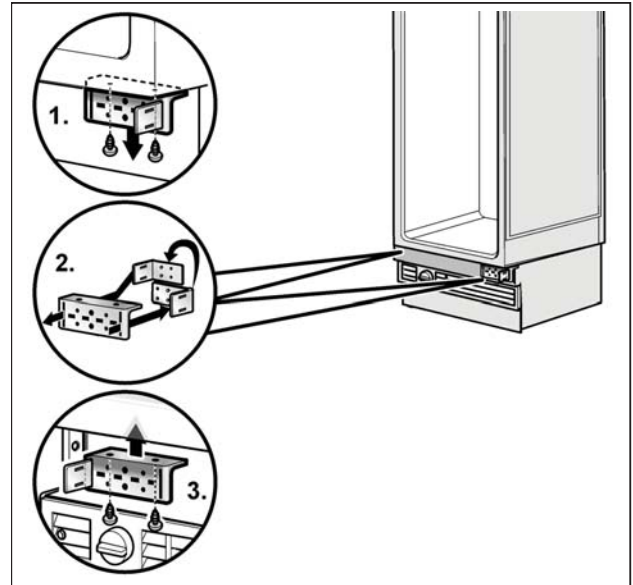
6. Montez à nouveau la grille d'aération en tenant compte du nouveau sens d'ouverture de porte.



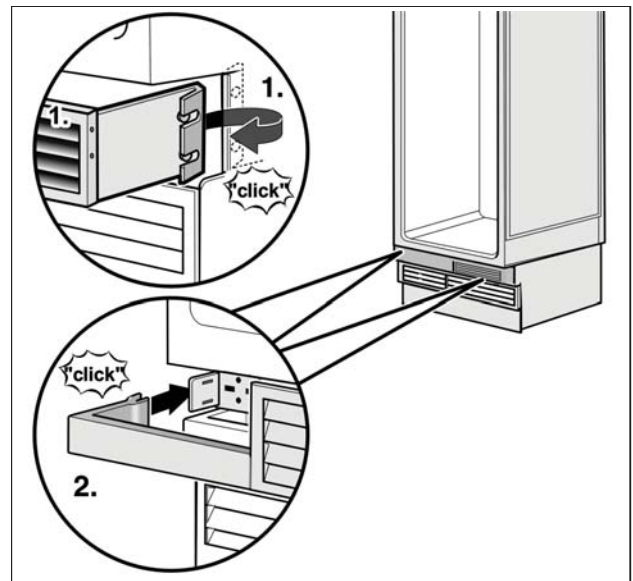
Pour adapter l'appareil au nouveau sens d'ouverture de porte, une pièce de rechange pour la grille d'aération a été livrée d'origine avec l'appareil.



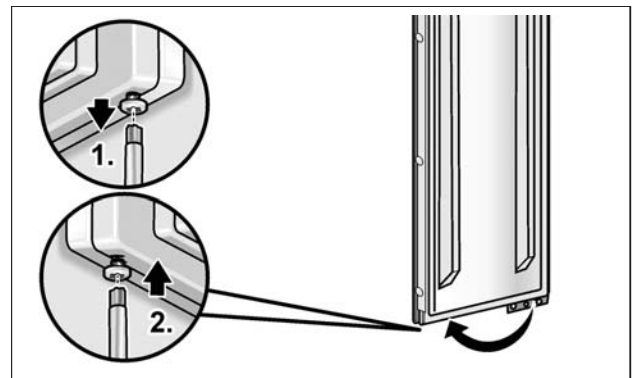
7. Transférez les cornières de charnière de l'autre côté.



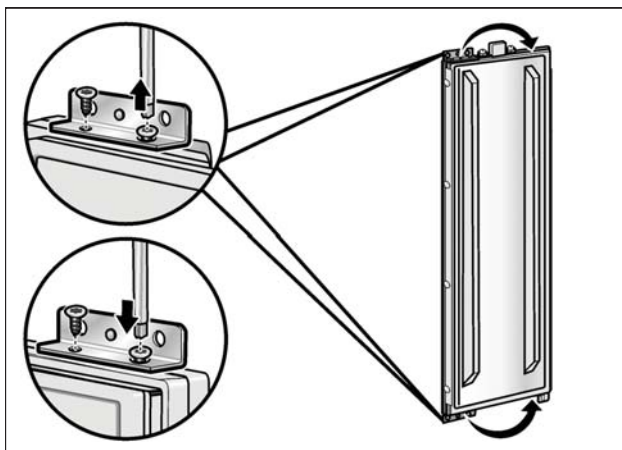
8. Fixez la grille d'aération.



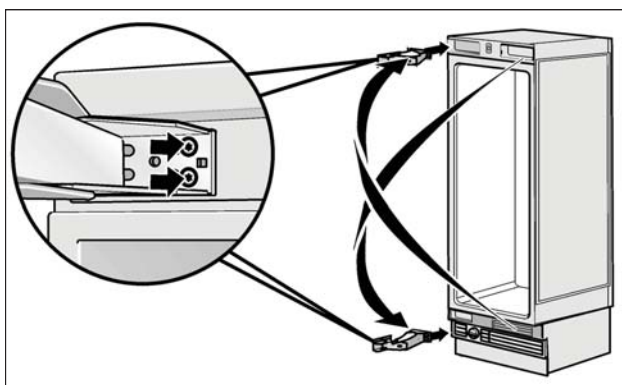
9. Transférez la vis affectée à la bride inférieure.



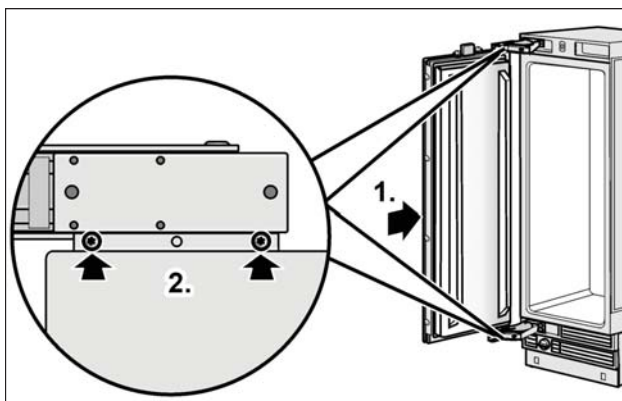
10. Transférez de l'autre côté les pièces de fixation situées contre la porte.



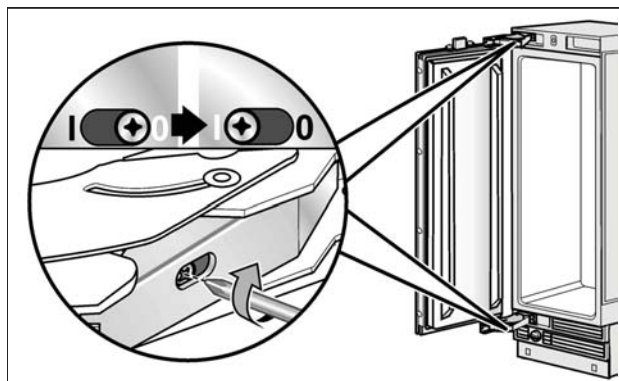
11. Fixez les charnières sur l'appareil. Permutez les charnières selon un ordre croisé !



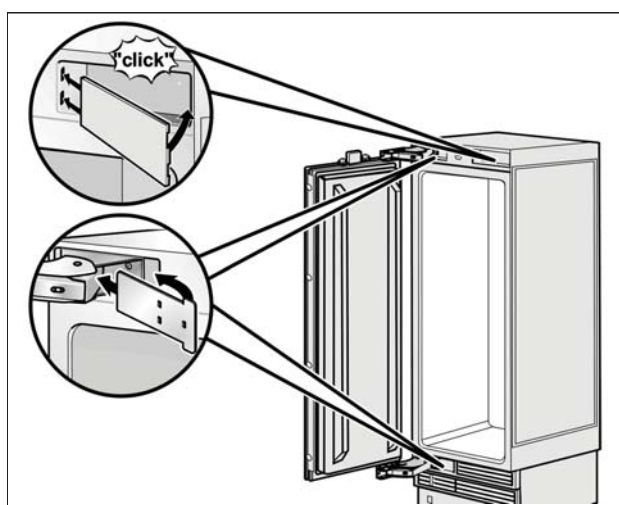
12. Vissez la porte contre les charnières.



13. Tendez le ressort de la charnière. Pour ce faire, amenez la vis de la position 0 sur la position I.



14. Fixez les couvercles des charnières.

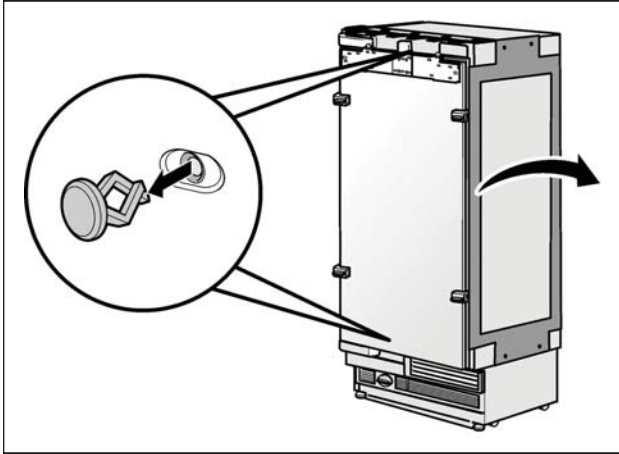


fr-ca

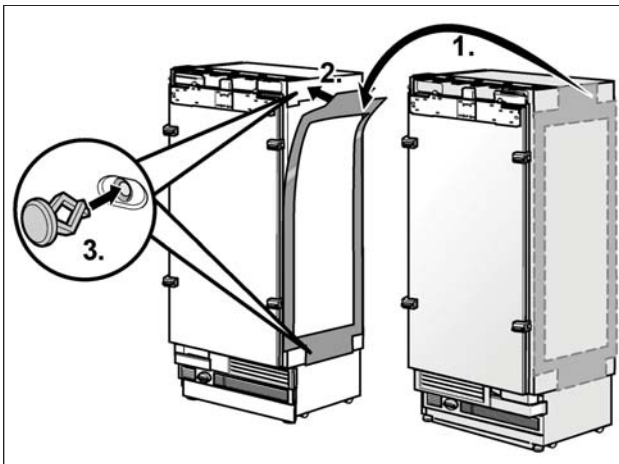


Enlèvement/transfert du tapis d'étanchéité

Les congélateurs ont été équipés en usine d'un tapis d'étanchéité en vue de l'installation côte à côte. S'il est prévu d'installer l'appareil seul, le tapis d'étanchéité n'est pas nécessaire et il est possible de l'enlever.



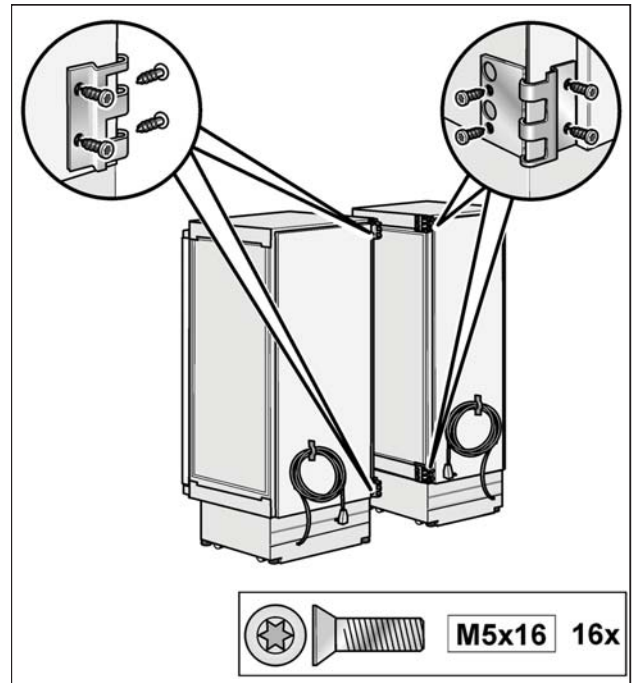
En cas d'installation côte à côte, le tapis d'étanchéité est absolument nécessaire. Si le sens d'ouverture de porte a été inversé, il faut fixer le tapis d'étanchéité sur l'autre appareil. Fixez toujours le tapis d'étanchéité sur le côté droit de l'appareil qui se trouve à gauche !



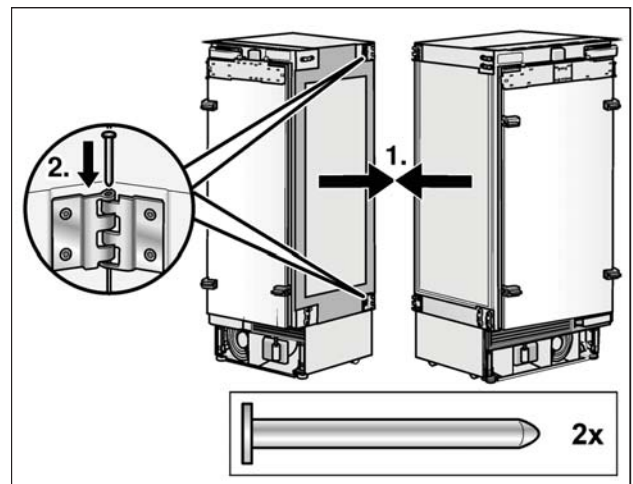
Installation côte à côte

Si vous prévoyez une installation côte à côte, il faut relier maintenant les deux appareils l'un avec l'autre.

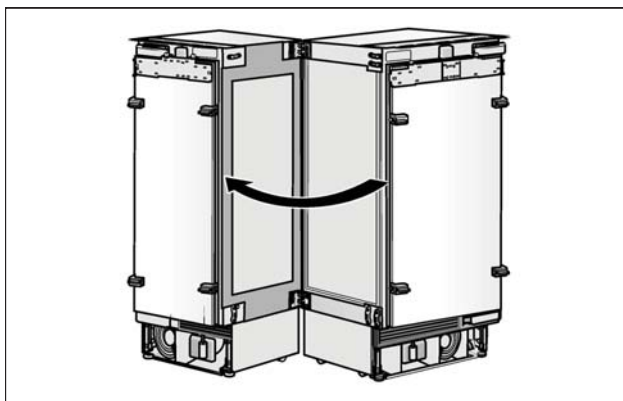
1. Vissez les demi-charnières fournies dans le kit côte à côte dans les deux appareils.



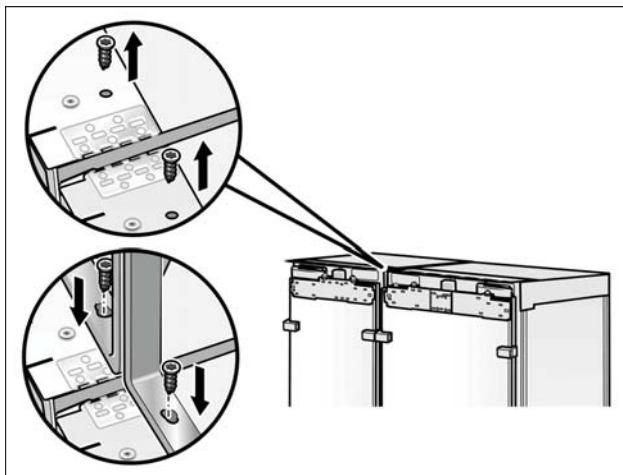
2. Poussez les appareils pour les rapprocher jusqu'à ce que les demi-charnières s'entrecroisent.
3. Insérez les goujons dans les charnières.



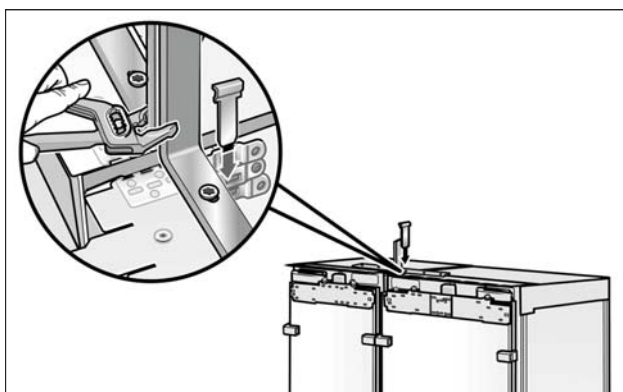
4. Poussez l'avant des appareils pour les rapprocher le plus possible.



5. Desserrez les vis situées sur le dessus de l'appareil puis vissez les accessoires d'installation contre la partie supérieure des deux appareils.

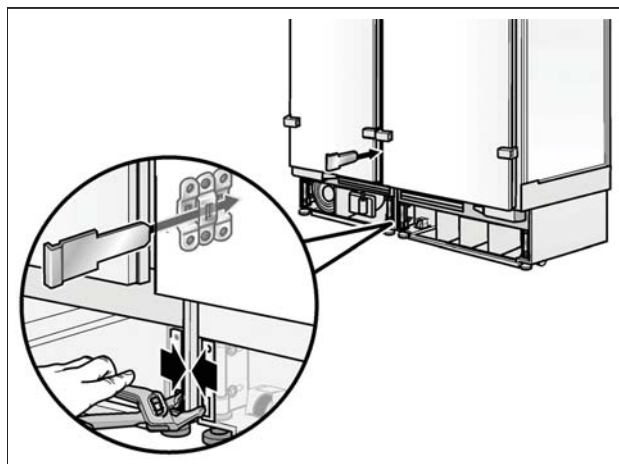


6. Rapprochez les appareils en les tirant à l'aide d'une pince multiprise.
7. Une fois que les appareils sont complètement joints, insérez la barre dans les plaques supérieures.

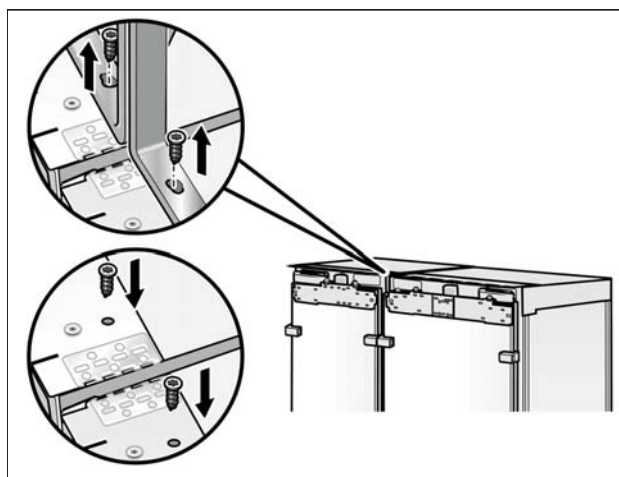


8. Rapprochez le bas des appareils en les tirant à l'aide d'une pince multiprise.

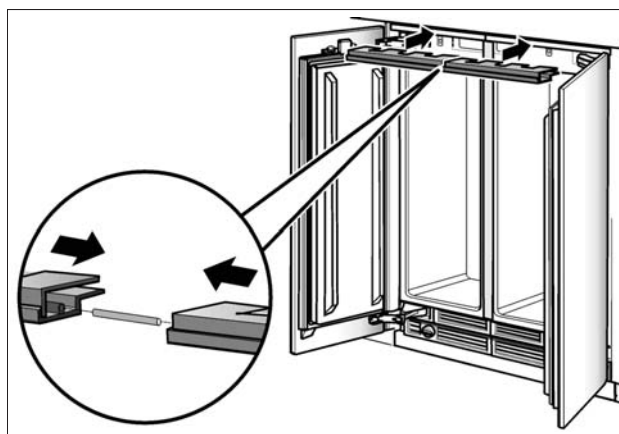
9. Une fois que les appareils sont complètement joints, insérez la barre dans les plaques inférieures. Enfoncez complètement la barre à l'aide d'un outil.



10. Retirez les accessoires d'installation.



11. Pour monter la baguette couvre-joints contre la plaque de montage (en haut) : Connectez les deux profilés de recouvrement au boulon figurant dans le kit d'installation côte à côte.



fr-ca



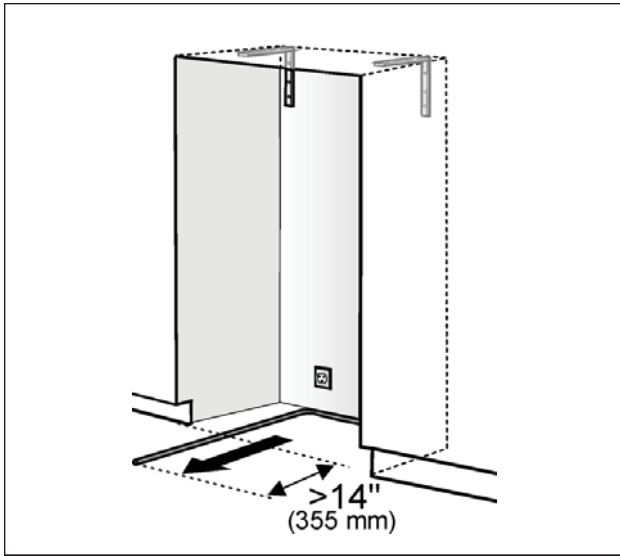
Préparation du raccordement de l'eau

(seulement pour les appareils qui requièrent un raccordement à l'eau courante)

Remarque :

Refermez le robinet d'eau principal pour empêcher que l'eau, en fuyant, ne provoque des dégâts.

1. Branchez la conduite de raccordement contre la vanne de fermeture en respectant les instructions fournies par le fabricant du kit destiné à l'installation du distributeur de glaçons.
2. Installez la conduite de raccordement. Respectez toujours les dimensions spécifiées pour l'espace libre, ceci pour empêcher d'endommager la conduite de raccordement lorsque vous poussez l'appareil.



Raccordement de l'eau à l'appareil

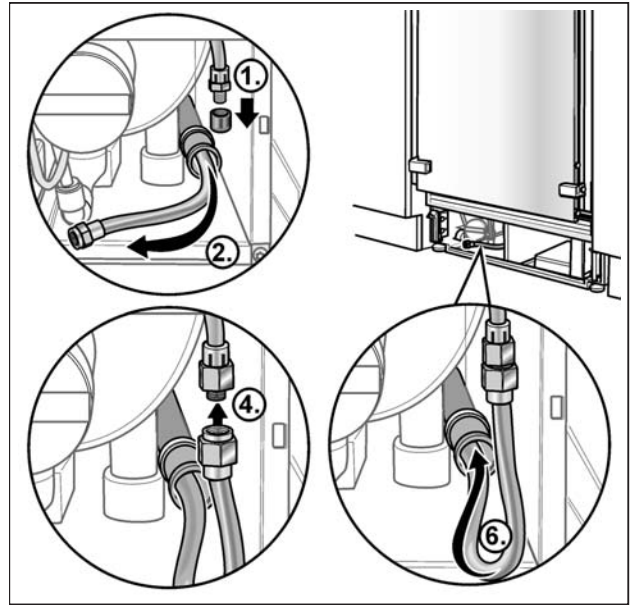
(seulement pour les appareils qui requièrent un raccordement à l'eau courante)

Remarque :

Lorsque vous recourbez une conduite d'eau, ne la pliez pas, sinon **il y a risque que de l'eau fuie et provoque des dégâts.**

1. Retirez le capuchon du raccord de l'appareil.
2. Coudez la conduite conformément à l'emplacement du raccord sur l'appareil.
3. Poussez l'écrou de jonction et le joint contre la conduite d'eau.
4. Poussez l'extrémité de la conduite d'eau dans le raccord de l'appareil et vissez l'écrou. Serrez à fond mais à la main.
5. A l'aide d'une clé à fourche, serrez l'écrou de jonction. Veillez à ne pas serrer à l'excès !

6. Renforcez le flexible à eau le plus loin possible dans le tube de protection.



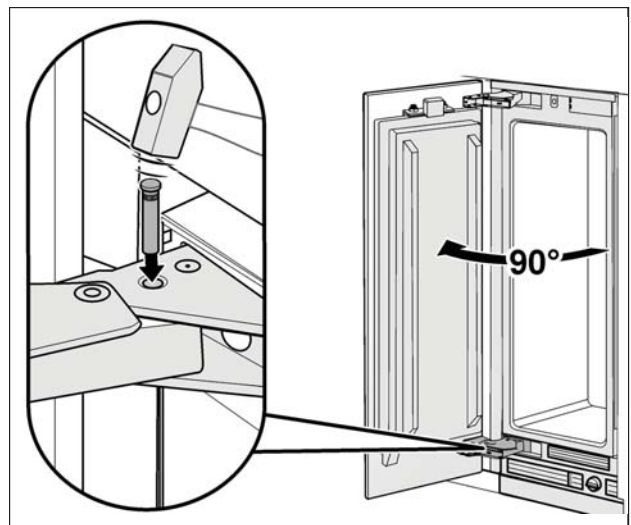
7. Ouvrez la vanne de fermeture et le robinet d'eau principal.
8. Vérifiez si le raccord de la vanne de fermeture et celui de l'appareil présentent des fuites.
9. Fermez la vanne de fermeture.

Ajustage de l'angle d'ouverture de porte

Suivant les conditions d'installation, il pourra être nécessaire d'ajuster l'angle d'ouverture de la porte. Un angle d'ouverture de 115° a été ajusté en usine.

Pour conférer à la porte un angle d'ouverture de 90° :

1. Ouvrez la porte à 90°.
2. Introduisez la tige de limitation à travers les deux alésages superposés puis enfoncez-la à l'aide d'un marteau.



es Índice

Consejos y advertencias de seguridad	56
IMPORTANT	56
General	56
Definición	56
Opciones de instalación	57
Unidad individual	57
Side-by-Side (lado a lado)	57
Electrodomésticos individuales con separación	57
Electrodomésticos individuales en el final de las unidades de cocina	57
Instalación	58
Ambiente de emplazamiento	58
Clases climáticas.....	58
Instalación estable	58
Cavidad de instalación.....	58
Muebles adyacentes.....	58
Base.....	58
Nivelar el aparato	58
Conexión a la red de alimentación	59
Conexión del agua	59
Medidas de instalación	60
Accesorios y herramientas necesarias	61
Accesorios que forman parte volumen de entrega	61
Accesorios opcionales	61
Otros accesorios necesarios	61
Otros	61
Herramientas	61
Instrucciones de instalación	62
1. Control de la cavidad para la instalación	62
2. Desembalaje	62
3. Transporte del electrodoméstico	63
4. Preparativos para el montaje	63
5. Instalación especial	63

A

1. Colocación de los ángulos antivuelco .. 64
2. Montaje de un dispositivo antivuelco
adicional
3. Protección de las esquinas


B

1. Colocando el electrodoméstico en la
cavidad de instalación
2. Alineación del electrodoméstico
3. Sujetando el electrodoméstico a la
cavidad

C

1. Sujeción del panel de protección
2. Alineación del panel de protección
3. Puesta en marcha del electrodoméstico
4. Preparación de las puertas mueble
5. Carga admisible en la puerta
electrodoméstico
6. Quitar el elemento auxiliar para el
posicionamiento
7. Montaje del riel de ajuste en la puerta
del mueble
8. Sujeción de los listones
correspondientes al panel puerta
9. Sujeción de la puerta del mueble
10. Montaje de los soportes inferiores
11. Montaje de las cubiertas
12. Montaje del separador de aire
13. Cambio del muelle de la puerta

Instalación especial

- | | | |
|---|--|----|
|  | Cambiando las bisagras..... | 75 |
| | Quitado / cambio de la esterilla de sellado | 78 |
| | Instalación Side-by-Side (lado a lado)..... | 78 |
| | Preparación para conectar el agua | 80 |
| | Conexión del agua al electrodoméstico | 80 |
| | Ajuste del ángulo de apertura de la puerta . | 80 |

Consejos y advertencias de seguridad

¡LEA Y GUARDE ESTAS INSTRUCCIONES!

Las presentes instrucciones de montaje pretenden facilitar los trabajos de instalación y montaje de su nuevo aparato.

El fabricante, sin embargo, no incurre en responsabilidad alguno en caso de un montaje defectuoso o incorrecto. Por ello se aconseja encargar la instalación y puesta en funcionamiento del aparato a un técnico especialista del ramo.

El cumplimiento estricto de las indicaciones y observaciones que figuran en las presentes instrucciones de montaje son los requisitos indispensables para un montaje y puesta en funcionamiento seguros del aparato.

Guardar las instrucciones de montaje para un posible propietario posterior.

¡Léanse las presentes instrucciones de montaje detenidamente antes de proceder al montaje y la puesta en funcionamiento del aparato!



AVISO:

La parte superior de este electrodoméstico es más pesada que la de abajo, por lo que se lo debe asegurar a fin de evitar que vuelque hacia delante.

Se requiere de una protección antivuelco.

Mantenga las puertas cerradas hasta que el electro-doméstico esté completamente instalado y asegurado según las instrucciones de instalación.

Debido al peso y las dimensiones del electrodoméstico y a fin de reducir el riesgo de lesiones personales o de daños al producto – SE REQUIERE DE DOS PERSONAS PARA UNA INSTALACIÓN ADECUADA.

Este electrodoméstico debe conectarse correctamente a tierra. Véase el capítulo «Conexión a la red de alimentación».

Utilice el electrodoméstico exclusivamente para lo que ha sido previsto.

Repáre o cambie inmediatamente los cables eléctricos si están gastados o dañados.

Desenchufe el electrodoméstico o desactive el fusible antes de limpiar o efectuar reparaciones.



ATENCION:

Una instalación adecuada de este electrodoméstico requiere de conocimientos específicos básicos en mecánica, carpintería y fontanería.

Fallos en el producto debido a una instalación inadecuada no está cubiertos por la garantía.

Consulte el manual del usuario por la información concerniente a la garantía.

IMPORTANT

Guarde estas instrucciones para el uso del inspector local. Tenga en cuenta todas las disposiciones y ordenanzas gubernamentales.

Nota para instalador – Asegúrese de dejar estas instrucciones al usuario.

Nota para el usuario – Guarde estas instrucciones con su manual para el propietario.

General

Las reparaciones debe efectuarlas un técnico calificado. Estas instrucciones de instalación se entienden para se usadas por instaladores calificados. Todas las conexiones de agua, alimentación eléctricas y conexión a tierra, deben cumplir con las prescripciones y ordenanzas locales y deben ser realizadas por personal con las licencias correspondientes si así se lo requiere. En ausencia de prescripciones locales:

- En los E.E.U.U., de acuerdo con el National Electric Code, ANSI/NFPA70 – última edición/ prescripciones municipales y/o locales.
- En Canadá, de acuerdo con el Canadian Electric Code C22.1 – última edición prescripciones municipales y/o locales.

Nota:

Este símbolo se utiliza para llamar la atención del usuario respecto de algo en particular.

Definición



AVISO:

indica que existe peligro de lesiones graves y aún de muerte, que pueden ocurrir como resultado de la inobservancia de esta advertencia.



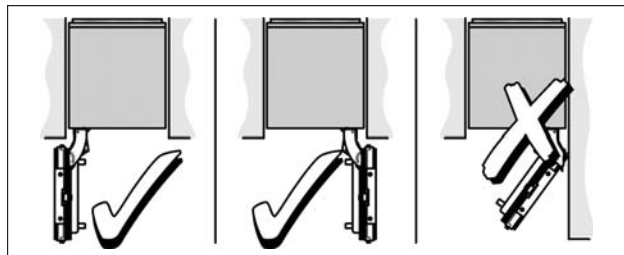
ATENCION:

indica que pueden producirse lesiones menores o daños que pueden ocurrir como resultado de la inobservancia de esta advertencia.

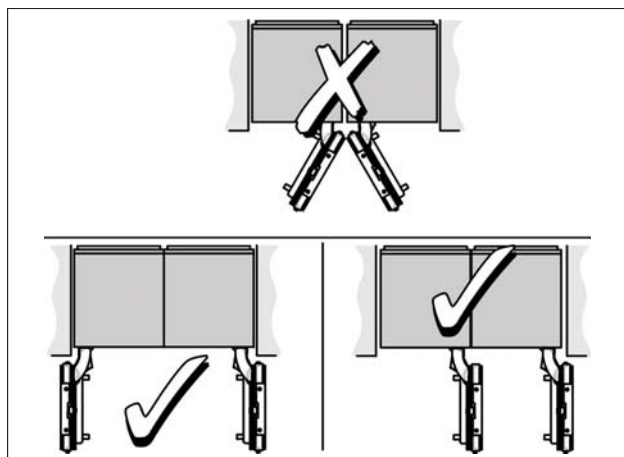
Opciones de instalación

Existen diversas opciones de instalación. Están limitadas exclusivamente por el diseño de la cocina. Ver también «Breve referencia para diseño de cocina (Kitchen Design Quick Reference)».

Unidad individual

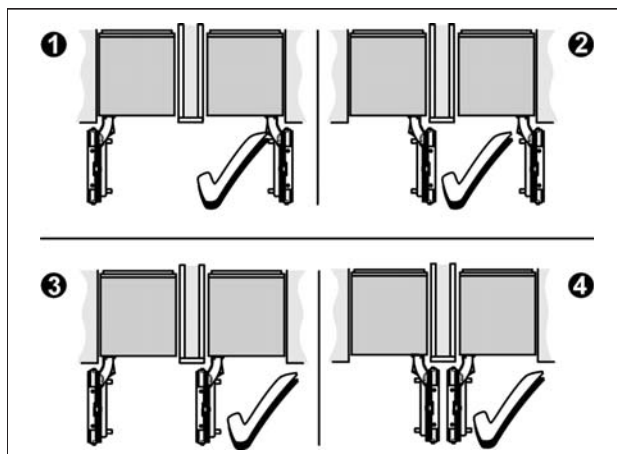


Side-by-Side (lado a lado)



En caso de colocarse dos aparatos directamente uno junto al otro, hay que utilizar el kit de estanqueización para su instalación Side-by-Side a fin de garantizar la estabilidad de la unión de los dos aparatos. Más detalles a este respecto figuran en el capítulo «Accesorios y herramientas necesarias».

Electrodomésticos individuales con separación



- Si dimensiona los espacios para el modelo 4, tenga en cuenta el espesor de los paneles frontales de los muebles, a fin de evitar daños si se abren las dos puertas simultáneamente.
- Utilice el «Heating kit» (combinación y calentamiento) si el espacio entre los dos electrodomésticos es menor que 6" (160 mm). Véase el capítulo «Accesorios y herramientas necesarias», sección «Accesorios opcionales».
- La separación mínima debe ser de $\frac{5}{8}$ " (16 mm).

Electrodomésticos individuales en el final de las unidades de cocina

Si uno de los lados del electrodoméstico está a la vista, debe colocarse un panel lateral.

El panel lateral debe sujetarse firmemente en la pared, el piso y el mueble o adorno superpuesto antes de colocar el electrodoméstico en la cavidad.

Las dimensiones del panel lateral, deben tomarse en la pared opuesta de la cavidad. Controle durante la instalación que la cavidad esté a escuadra y que tenga las dimensiones adecuadas.

Instalación



AVISO:

No instale el electrodoméstico:

- a la intemperie,
- en un sitio con presencia de agua,
- en ambientes a temperaturas inferiores a los 32 °F (0 °C).
- El electrodoméstico es muy pesado.

Refrigerador de 30" aprox.. 1110 lbs/500 kg

Congelador de 18" aprox. 560 lbs/250 kg

Ambiente de emplazamiento

Emplazar el aparato en una habitación seca y fresca, dotada de una buena ventilación.

Recuerde además que el aparato no debe instalarse de forma que reciba directamente los rayos del sol, ni encontrarse tampoco próximo a un foco activo de calor tal como cocinas, calefacciones, etc. En caso necesario se protegerá la unidad con un panel aislante adecuado o bien se observarán las siguientes distancias mínimas de separación con respecto a la fuente de calor en cuestión:

- Cocinas eléctricas o de gas: 1 1/4" (3 cm).
- Cocinas de gas-oil o de carbón: 12" (30 cm).

El suelo en el lugar de emplazamiento del aparato deberá poseer una suficiente capacidad de sustentación. En caso necesario deberá reforzarse adecuadamente. Para asegurar el funcionamiento correcto del dispensador de hielo, el aparato tiene que encontrarse en posición vertical.

Clases climáticas

La clase climática a la que pertenece el aparato figura en la placa de características del mismo e indica a qué temperatura del entorno (recinto) puede funcionar el aparato.

Clase climática	Temperatura del entorno admisible
SN	50 °F hasta 90 °F (+10 °C hasta 32 °C)
N	61 °F hasta 90 °F (+16 °C hasta 32 °C)
ST	61 °F hasta 100 °F (+16 °C hasta 38 °C)
T	61 °F hasta 110 °F (+16 °C hasta 43 °C)

Instalación estable

El electrodoméstico es muy pesado y presenta la tendencia de volcar hacia adelante cuando se abre la puerta del mismo.

No abrir la puerta hasta tanto el electrodoméstico no pueda volcar mas.

La manera mas segura de instalar el electrodoméstico en una posición estable, es utilizando los elementos antivuelco que forman parte del volumen de entrega.

Si el sitio de instalación es suficientemente estable y el electrodoméstico puede asegurarse firmemente en las paredes laterales y superior, se logra una mayor estabilidad del mismo. ¡Es una condición previa, que el

encerramiento de instalación presente una sujeción firme en la pared posterior!

Si tiene dudas, consulte a un arquitecto o experto en construcción.

Cavidad de instalación

Es imprescindible tener en cuenta las medidas exactas de la cavidad de instalación a fin de poder realizar una instalación sin problemas el aparato y conservar la óptica del frontal del mueble.

Hay que prestar una atención particular a que la cavidad de instalación tenga forma rectangular. Las paredes laterales de la cavidad de instalación no deberán tener salientes, escalones ni irregularidades.

La forma rectangular de la cavidad se puede comprobar mediante un nivel de burbuja, una medición en diagonal, etc.

Las paredes laterales y el remate superior del mueble deberán tener un espesor mínimo de 5/8" (16 mm).

Muebles adyacentes

Atornillar fijamente el aparato nuevo a los armarios laterales y superiores.

Por ello deberá prestarse atención a que los armarios superiores a los que se vayan fijar muebles, se encuentren a su vez fijamente sujetos a la pared o base de soporte correspondiente.

El zócalo deberá tener un espesor mínimo de 3/4" (19 mm).

Base

Para asegurar que el electrodoméstico esté firmemente montado y funcione correctamente, la base de apoyo debe ser plana y horizontal. La base debe ser de material duro y rígido.

La zona de instalación deben presentar la misma altura que el resto del ambiente.

Para dar cuenta del elevado peso del electrodoméstico plenamente cargado, se requiere que la base resista la carga en cuestión. Si tiene dudas, consulte a un arquitecto o experto en construcción.

Nivelar el aparato

Para que el aparato funcione correctamente, tiene que estar colocado en posición perfectamente horizontal. Alinearlo con ayuda de un nivel de burbuja.

La instalación desnivelada del aparato puede dar lugar a fugas de agua en el dispensador de hielo, a la producción de cubitos de hielo de forma irregular o a que las puertas no cierren correctamente.

Conexión a la red de alimentación

AVISO:

- ¡Evite el peligro de una descarga eléctrica!
- Conectar a un tomacorrientes tripolar con toma de tierra. Nunca eliminar la toma de tierra. No utilizar adaptadores. No utilizar cables de prolongación.
- Un fallo en la ejecución de estas determinaciones, pueden ser causa de la muerte, incendios o descargas eléctricas. En caso de una conexión incorrecta del conductor de protección, pueden producirse descargas eléctricas. Haga controlar el equipo por un electricista calificado o por un técnico del servicio técnico, si existen dudas respecto de la correcta conexión a tierra del equipo.

La toma de corriente tiene que estar situada en las proximidades del aparato y ser libremente accesible tras su instalación. El aparato corresponde al tipo de protección I.

Conectar el aparato a una red de 115 V/60 Hz de corriente monofásica (corriente alterna) a través de una toma de corriente instalada correctamente y provista de conductor de protección. La toma de corriente debe estar protegida con un fusible de 10–16 amperios.

El equipo se entrega con un conductor de conexión a la red registrado en UL de 3 conductores. El equipo requiere de un tomacorrientes de 3 polos. Favor de tener en cuenta la tabla siguiente en combinación con este aspecto:

Electrodoméstico	Carga simultánea máxima
Refrigerador 30"	2.0 amperios
Congelador de 18" (*)	3.5 amperios

(*) con equipo de producción de hielo

Controlar que las indicaciones contenidas en la chapa de características concuerden con la tensión y el tipo de corriente de su red en cuanto a sus valores. La ubicación de la chapa de características se encuentra en el capítulo «Servicio de Asistencia Técnica».

AVISO:

El aparato no se podrá conectar en ningún caso a conectores electrónicos para ahorro energético. Nuestros aparatos se pueden conectar a rectificadores de corriente por onda sinusoidal o conmutados por red. Los rectificadores conmutados por red se emplean en las instalaciones fotovoltaicas conectadas directamente a la red pública de abastecimiento de corriente eléctrica. Para aplicaciones aisladas, como por ejemplo en buques o albergues de montaña que no disponen de conexión a la red eléctrica, tienen que emplearse rectificadores de onda sinusoidal.

Conexión del agua

ATENCION:

Acoplar el aparato a una tubería de alimentación de agua potable.

La conexión a la red de agua sólo puede ser efectuada por un fontanero especialista, de conformidad a las normas y disposiciones de la empresa local de abastecimiento de agua.

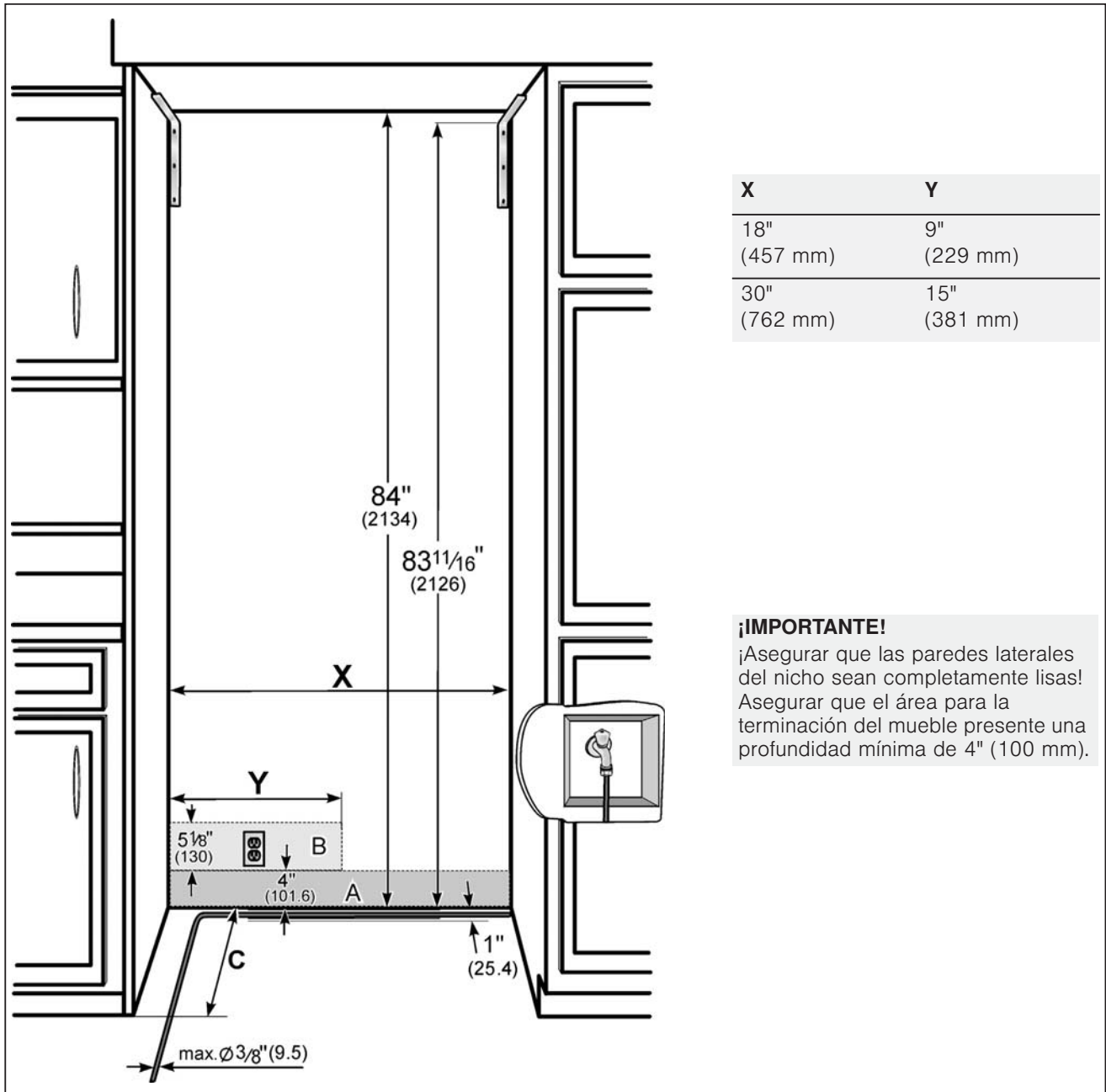
El funcionamiento del dispensador automático de hielo requiere la conexión a una tubería de alimentación de agua fría. La presión de la red de agua deberá ser de 25 a 120 p.s.i. (1,72 a 8,25 bares). La instalación deberá cumplir las normas y disposiciones locales sobre fontanería.

En la tubería de alimentación de agua fría deberá montarse un dispositivo (válvula) de bloqueo antiretorno. A válvula de bloqueo no deberá estar situada detrás del aparato. Se aconseja situar la válvula de bloqueo bien junto al aparato, bien en cualquier otro lugar perfecta y libremente accesible. Al realizar la instalación de la conexión a la red de agua deberán observarse las medidas y cotas de instalación prescritas.

Para la conexión del aparato a la red pública de agua potable sólo se podrán utilizar las tuberías específicas aptas para la red de agua potable, debiéndose observar estrictamente las normas nacionales vigentes, así como las disposiciones de la empresa local de abastecimiento de agua.

Al realizar la instalación de la conexión a la red de agua deberán observarse las medidas y cotas de instalación prescritas. Más detalles a este respecto figuran en el capítulo «Medidas de instalación». El diámetro exterior máximo admisible de la tubería de agua (sin elementos de unión) es de $\frac{3}{8}$ " (9,5 mm).

Medidas de instalación



Leyenda:

- A** Zona para la instalación de la conexión de agua.
 Recomendamos que el depósito de agua se instale al lado abertura de instalación, por razones de servicio, de modo que pueda accederse al mismo sin desinstalar el electrodoméstico. Si no fuera posible, colocar el depósito de agua en la zona sombreada.
- B** Zona para la conexión a la red de potencia.
- C** Altura de la abertura, según el diseño de la cocina.
 C = 24" (610 mm) como mínimo

Accesorios y herramientas necesarias

Accesorios que forman parte volumen de entrega

- Instrucciones para el montaje
- Instrucciones de funcionamiento
- Juego de instalación

Accesorios opcionales

Combinación y calentamiento HEATKITB80

Si el espacio entre los electrodomésticos es menor que 6" (160 mm).

Otros accesorios necesarios

Juego para la instalación de un generador de hielo con línea de 1/4" de cobre

Para electrodomésticos que requieren agua. P. ej. para un generador de hielo.

El diámetro exterior máximo admisible de la tubería de agua (sin elementos de unión) es de $\frac{3}{8}$ " (9,5 mm).

Otros

- Escalera
- Carro de mano
- Perforadora para practicar orificios en paredes o pisos
- Bits de diferentes tamaños y materiales
- Viguetas de madera (sección transversal mínima de 3" x 4") como protección alternativa contra vuelcos, de longitud adecuada al ancho de la cavidad
- Tornillos de madera de diferentes tamaños
- Material delgado, adecuado para evitar daños en el piso (p. ej. linóleo)
- Material adecuado para cubrir y proteger los muebles (p. ej. láminas de protección)
- Cinta adhesiva

Nota:

Verificar antes de usar la cinta adhesiva si ésta deja restos de adhesivo en las superficies de los componentes. En caso de que así fuera, no deberá usarse en aparatos con superficies delicadas y de alta calidad.

Herramientas



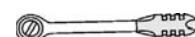
Destornillador a batería



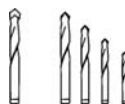
Bit tipo Torx T20 y T30 + un soporte magnético



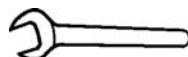
Destornillador tipo Torx T20



Destornillador de ranura en cruz 5/16" (8 mm)



Brocas para madera de diversas medidas



Llave de boca 1/2" (13 mm)



Pinza universal



Llave ajustable



Cuchilla de hoja ajustable



Regla metálica, cinta métrica



Escuadra



Nivel de agua de 2' (60 cm) y 4' (1,2 m)



Reglas de nivelar, longitud mínima 4' (1,2 m)

Instrucciones de instalación

Las instrucciones de montaje siguientes describen los pasos a seguir para el montaje de los diferentes tipos de equipos:

- Unidades de refrigeración
- Unidades de congelación
- Unidades de congelación con procesador para hielo

Por ello puede ocurrir que las representaciones en las figuras diverjan de la realidad.

Se advierte especialmente respecto de pasos de montaje especiales para tipos de equipos individuales.

1. Control de la cavidad para la instalación



ATENCIÓN:

Utilizar la lista de control siguiente a fin de proceder a una instalación sin problemas:

1. Controle la base.
Véase el capítulo «Instalación», sección «Base».
2. Controle las medidas de la cavidad.
Véase el capítulo «Medidas de instalación».
3. Controle que la cavidad esté a escuadra.
4. Controle la ubicación del tomacorriente.
Véase el capítulo «Conexión a la red de alimentación» y el capítulo «Medidas de instalación».
5. Controle la ubicación de la conexión del agua (únicamente en caso de electrodomésticos con generador de hielo).
Véase el capítulo «Conexión del agua» y el capítulo «Medidas de instalación».
6. Controle la sujeción de los muebles o adornos adyacentes. Todos los muebles en las cercanías del electrodoméstico deben estar firmemente sujetos a las paredes.
7. Controle que los muebles o adornos adyacentes no colisionen (ángulo de apertura de las puertas).

2. Desembalaje



AVISO:

Pueden producirse lesiones en personas y daños o desperfectos en el aparato!

- El aparato puede volcar al desembalarlo.
- El aparato puede volcar hacia adelante en caso de abrir la puerta.

Refrigerador de 30"	aprox. 350 lbs/158 kg
---------------------	-----------------------

Congelador de 18"	aprox. 255 lbs/115 kg
-------------------	-----------------------

Nota:

Controle si el electrodoméstico presenta daños de transporte.

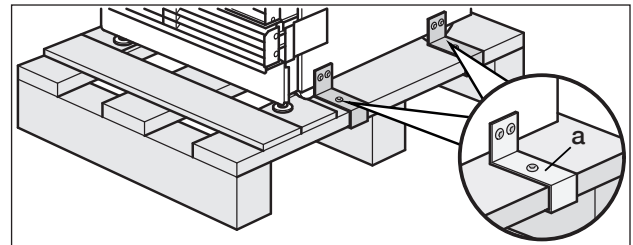
No instale el electrodoméstico si presenta daños visibles. En caso de dudas, consulte con su vendedor.

Para proteger la base de daños durante la instalación:

1. Quite el cartón. Utilice la cuchilla con cuidado para no rayar el electrodoméstico.
2. Colocar la placa de cartón o madera del embalaje debajo del electrodoméstico.
3. Retirar los accesorios sujetos al cuerpo exterior del aparato.

Guardar las tiras adhesivas de los accesorios sujetos al aparato. Servirán posteriormente para fijar las protecciones de los bordes en las paredes del hueco de montaje (véase el capítulo «A / 3. Protección de las esquinas»).

4. Soltar los seguros de transporte (**a**) y retirar el aparato del palet de transporte, alzándolo a tal efecto – ¡prestar atención al elevado peso del aparato!



5. Abrir las puertas del aparato cuidadosamente – ¡existe peligro de vuelco! – y retirar los accesorios y el material de montaje de su interior. Cerrar la puerta.

Nota:

Retirar los seguros de transporte de las bandejas y cajones del aparato sólo una vez que se ha instalado éste en su emplazamiento definitivo, de lo contrario podrían sufrir daños.

3. Transporte del electrodoméstico

⚠ AVISO:

Por ello debe tenerse especial cuidado, ya que eventuales colaboradores pueden verse lesionados o el equipo puede sufrir daños.

El electrodoméstico es extremadamente pesado.

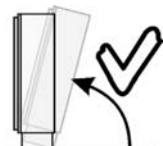
El equipo presenta una altura de 83 1/8" (2126 mm). Si no se puede transportar el equipo en posición vertical, debido a las características constructivas del sitio, puede transportárselo acostado.

Nota:

¡No erigir el electrodoméstico sujetándolo de las paredes laterales! Existe riesgo de daños en el electrodoméstico.

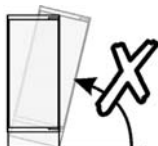
Tener en cuenta la altura mínima necesaria en el sitio de emplazamiento cuando se quiere parar el equipo, siguiendo los datos de la tabla siguiente:

Parar el equipo por la pared posterior



La altura mínima 86"/2185 mm

Parar el equipo por la pared lateral



¡No erigir el electrodoméstico sujetándolo de las paredes laterales!

Nota:

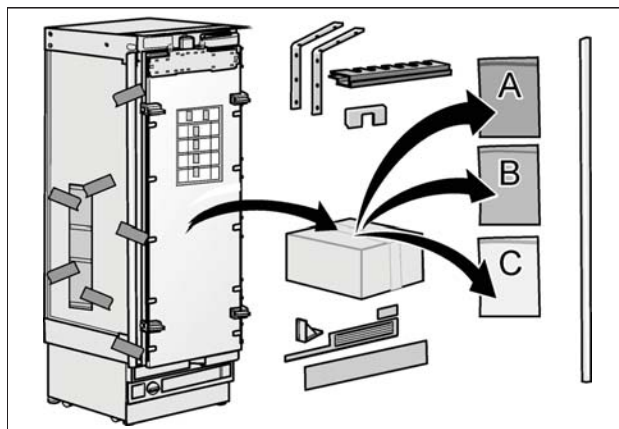
Aplicar la carretilla de transporte siempre en el centro de la parte posterior del aparato. ¡No aplicarla nunca en la parte frontal o en uno de los laterales! ¡El aparato puede sufrir daños o desperfectos!



1. Transportar el equipo con elementos de transporte adecuados al sitio de emplazamiento y al equipo mismo (carretilla para sacos, elevador a horquillas o carro).
2. Asegurar el electrodoméstico para que no pueda volcarse durante el transporte.

4. Preparativos para el montaje

Desembalar el material de montaje y los accesorios. A fin de simplificar la instalación, el embalaje se identifica mediante etiquetas A, B y C, correspondientemente a los capítulos del manual.



5. Instalación especial

Los pasos de instalación especiales se describen después del capítulo C.

El siguiente símbolo indica que deben cumplimentarse pasos adicionales antes de pasar al capítulo siguiente.



- Por el cambio de la bisagra de la puerta superior, ver «Cambiando las bisagras».
- Por la esterilla selladora, ver «Quitado / cambio de la esterilla de sellado»
- Por la instalación lado a lado, ver «Instalación Side-by-Side (lado a lado)».
- Por la conexión del agua, ver «Preparación para conectar el agua» an «Conexión del agua al electrodoméstico».
- Por el tope para la puerta, ver «Ajuste del ángulo de apertura de la puerta».

A

1. Colocación de los ángulos antivuelco



AVISO:

¡Existe peligro de lesiones y daños! Asegure que no existan cables eléctricos o tuberías en las zonas donde deben penetrar los tornillos.



AVISO:

¡Peligro de lesiones! Utilice siempre gafas y otros dispositivos de protección cuando instala o trabaja con tarugos.

Nota importante:

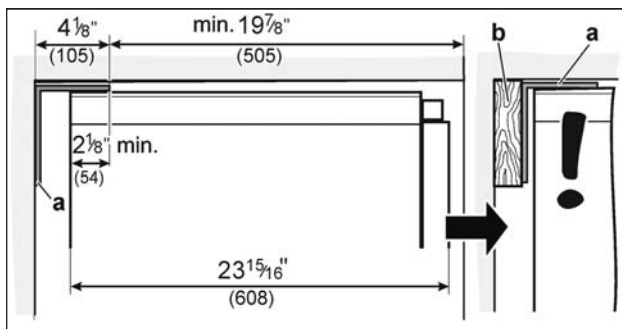
En caso de colocarse dos aparatos directamente uno junto al otro hay que utilizar los ángulos antivuelco como soportes de montaje. Unir a tal efecto los dos aparatos con los ángulos antivuelco antes fijarlos en su emplazamiento, véase «Instalación Side-by-Side (lado a lado)».

Nota:

- Se requiere de dos ángulos antivuelco para cada electrodoméstico.
- El juego suministrado comprende diversos tronillos para diferentes instalaciones. Seleccione los tornillos de acuerdo a las condiciones.
- En caso de no poder efectuar un montaje seguro de los ángulos antivuelco y del aparato con los tornillos de fijación suministrados, deberá elegirse otro método para asegurar una fijación segura contra vuelco del aparato.

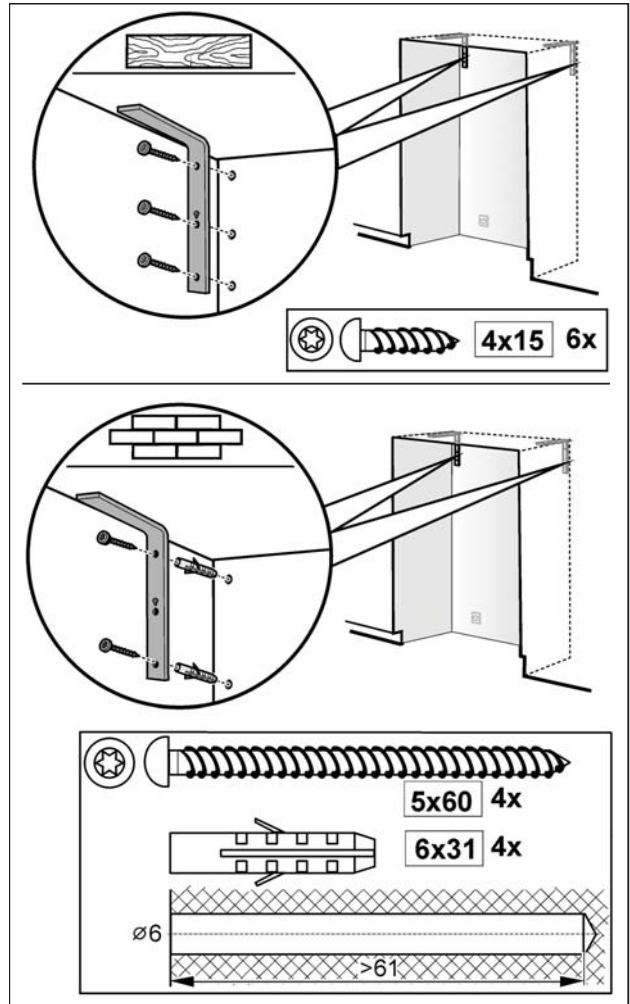
Los ángulos antivuelco (**a**) deben presentar una longitud mínima sobre el electrodoméstico de 2 1/8" (54 mm) a fin de asegurar un emplazamiento seguro del equipo.

Si no se puede dar cumplimiento a esta longitud mínima debido a condiciones estructurales, puede lograrse ésto, sujetando un espaciador (**b**) detrás del ángulo antivuelco, es decir un trozo de madera de dimensiones suficientes.



¡La longitud de la madera debe estar de acuerdo con el ancho del espacio disponible para la instalación!

1. Determine los puntos de sujeción para los ángulos antivuelco. Determine las medidas en detalle, consultando el capítulo «Medidas de instalación».
2. Sujete completamente los ángulos antivuelco. Asegúrese que los tornillos estén firmes.



Notas importantes para la sujeción mediante tarugos y tornillos:

No recomendado par ser usado en material de mampostería liviana como bloques y ladrillos.
 No recomendado para ser usado en cemento fresco que no ha tenido tiempo de fraguar.

2. Montaje de un dispositivo antivuelco adicional

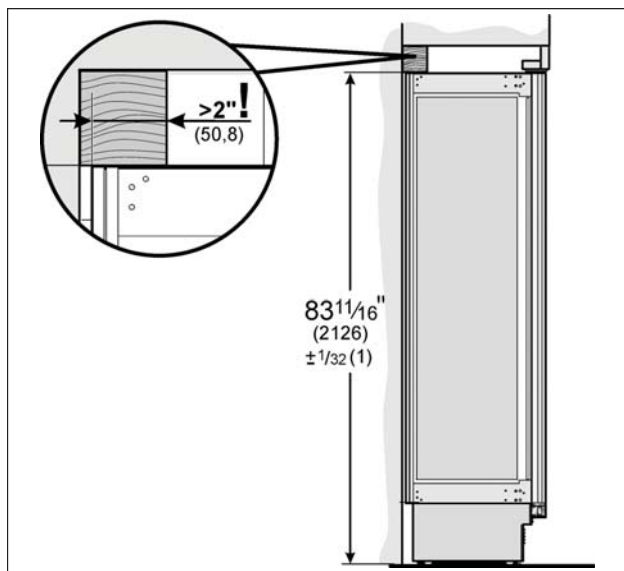
Importante:

Si no se pueden montar los ángulos antivuelco con la firmeza requerida, puede montarse un dispositivo antivuelco alternativo. Sin embargo, debe asegurarse, de que no exista juego entre el electrodoméstico y el dispositivo antivuelco. Si es posible, atornille las viguetas de madera sobre monturas ya existentes en la pared de la cavidad.

- Determine los puntos de sujeción para los ángulos antivuelco. Determine las medidas en detalle, consultando el capítulo «Medidas de instalación».

Nota:

- Si la cavidad de instalación es más profunda que el electrodoméstico, seleccione una vigueta que presente una sección transversal mayor, o monte dos viguetas.
- La vigueta debe exceder el electrodoméstico en un mínimo de 2" (50,8 mm).



- Marque la altura de instalación (esquina inferior de la madera) sobre el panel posterior de la cavidad.
- Seleccione los tornillos de acuerdo al espesor de la vigueta de madera: longitud = mín. 2,5 x el espesor de la vigueta, diámetro # 12 o # 14.

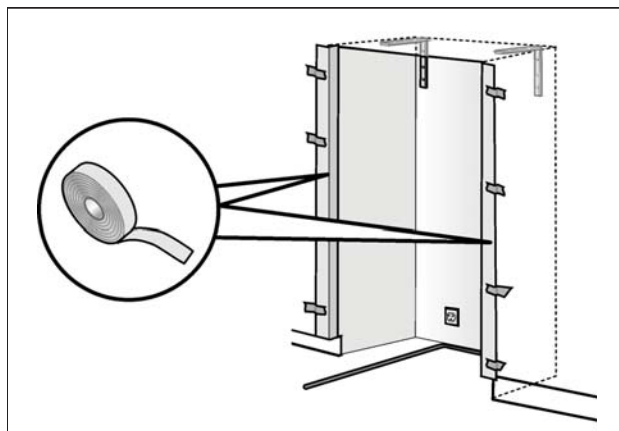
Nota:

Especifique la cantidad de tornillos, de acuerdo al ancho de la cavidad, asegurando que la vigueta quede montada firmemente.

- Según el tipo de piso:
Ubique la pared vertical cerca de la pared posterior de la cavidad y marque las perforaciones en la vigueta o fije unos tacos adecuados en el panel posterior del hueco de montaje.
- Perfore previamente la vigueta de madera.
- Sujete la vigueta de madera en la pared posterior de la cavidad

3. Protección de las esquinas

A fin de proteger las esquinas del encerramiento de instalación, es recomendable colocar protección confeccionadas de un material adecuado.

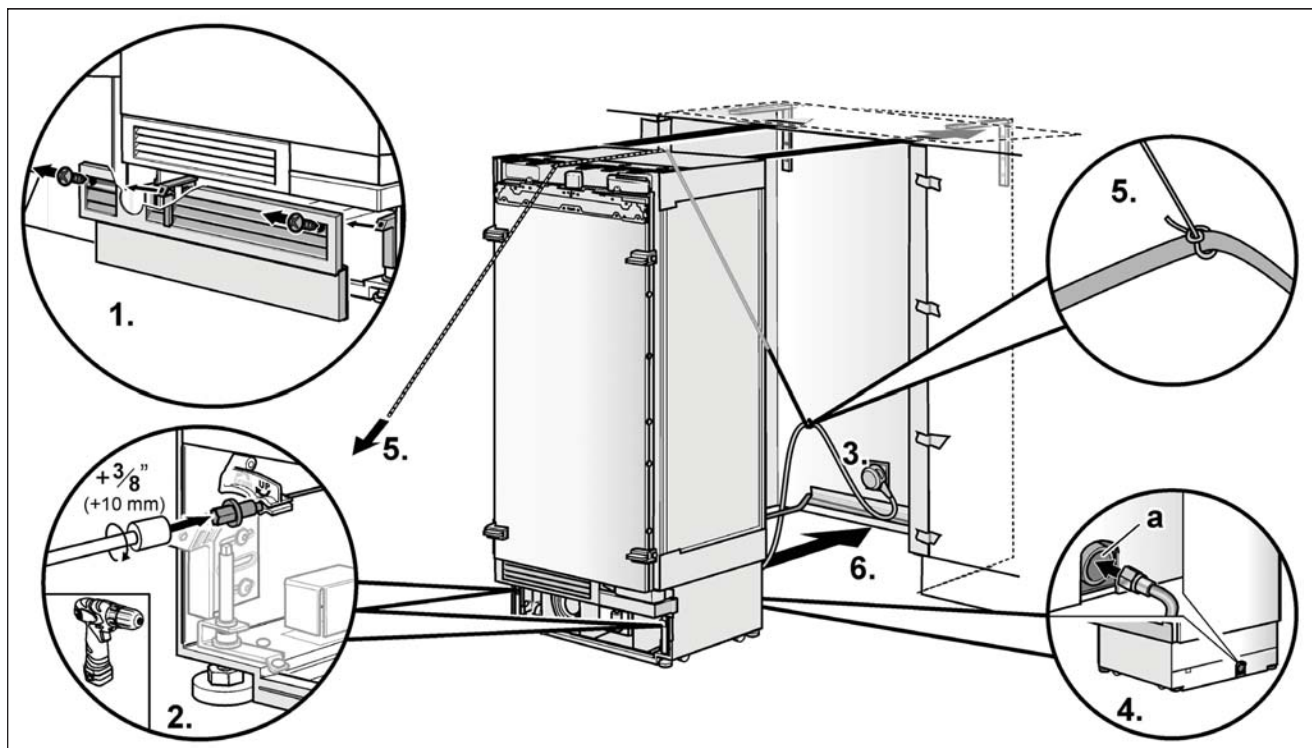


A continuación se detallan los pasos de instalación especiales. Las instrucciones del caso se dan después del capítulo C.

- Por el cambio de la bisagra de la puerta superior, ver «Cambiando las bisagras».
- Por la esterilla selladora, ver «Quitado / cambio de la esterilla de sellado»
- Por la instalación lado a lado, ver «Instalación Side-by-Side (lado a lado)».
- Por la conexión del agua, ver «Preparación para conectar el agua».

B

1. Colocando el electrodoméstico en la cavidad de instalación



⚠ ATENCION:
Tenga cuidado al empujar el electrodoméstico al interior de la cavidad. No dañe la tubería de agua o el cable de alimentación.

Nota:
Si el piso o el electrodoméstico es inclinado respecto de la cavidad de instalación, ajuste las ruedas ajustables en altura, antes de introducir el electrodoméstico en la cavidad.

1. Quitar el panel base.
2. Subir las ruedas ajustables en altura posteriores en aprox. $\frac{3}{8}$ " (10 mm).
3. Conecte el enchufe en el tomacorriente.
4. Introducir la alimentación de agua en el tubo de protección (a) que se encuentra en la parte posterior del electrodoméstico.

⚠ AVISO:
Obrar con cuidado para que no se lastimen las personas que ayudan en la instalación ni evitar que se produzcan daños en el electrodoméstico.
El electrodoméstico puede volcar mientras se conecta la alimentación de agua al tubo de conexión.

5. A fin de evitar daños en el cable de alimentación, favor de sujetar un trozo de hilo en el medio del mismo, pasando a éste último por encima del electrodoméstico. Al empujar el equipo, favor de tirar el cable hacia arriba. Cuidar de no magullar el cable de conexión o bien pegue el cable mediante cinta adhesiva en el suelo detrás del electrodoméstico a una distancia aprox. de 15" (380 mm) de la pared posterior de la cavidad.
6. Empuje cuidadosamente el electrodoméstico hacia el interior de la cavidad.
7. Quitar la protección de las esquinas (de existir).

2. Alineación del electrodoméstico

Nota:

A fin de asegurar que el electrodoméstico funcione correctamente debe estar perfectamente nivelado.

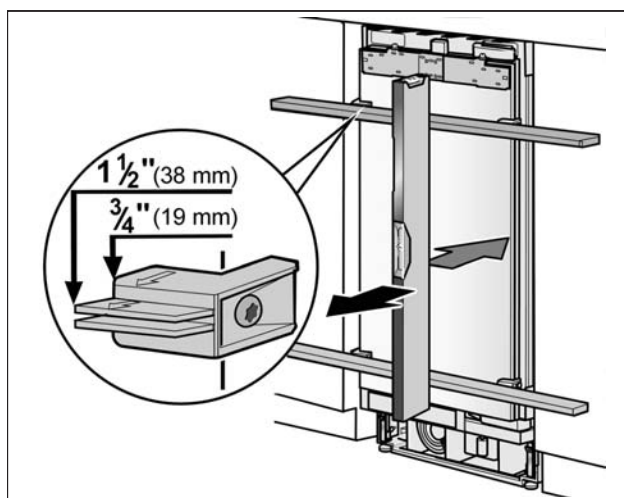
Alineación en profundidad

Las piezas auxiliares sobre la puerta fueron diseñadas para un espesor total de las puertas de los muebles:

- 3/4" (19 mm)
- 1 1/2" (38 mm)

Tenga siempre en cuenta los espesores eventualmente diferentes de los frentes de los muebles que se sujetarán.

1. Alinee el electrodoméstico con los frentes de los muebles.
Coloque el nivel de marcar o las piezas auxiliares para la instalación sobre la puerta.



Alineación en altura

Nota:

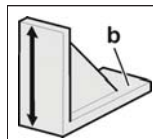
- ¡No gire o presione el electrodoméstico dentro de la cavidad! Cuando desenrosque las patas de altura ajustable, proceda de modo gradual: alterne siempre entre la derecha y la izquierda, repitiendo el proceso alternativamente.
- El ajuste de las patas posteriores se facilita si se descarga la parte posterior del equipo.
- En caso de utilizar una tabla de madera como protección antivuelco alternativa, girar el aparato hasta el tope contra la tabla con ayuda de los soportes de altura regulable. ¡No torsionar el aparato contra la tabla de madera!

Las ruedas de altura ajustable tanto del frente como de la parte posterior, pueden ajustarse desde el frente.

Frente:	Llave de boca de 1/2" (SW 13 mm)
Fondo:	Destornillador en cruz 5/16" (8 mm) con vástago flexible.

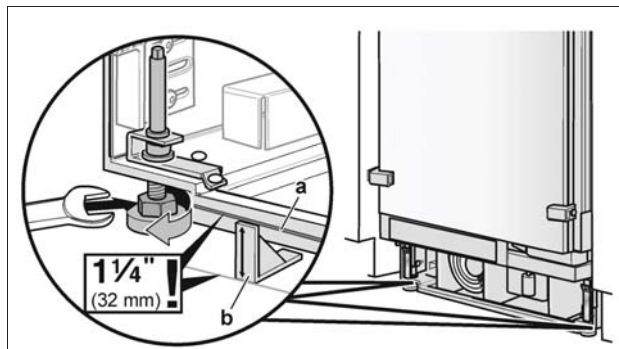
Como medida sugerida para el ajuste de la altura, se ha practicado una marca (a) en la pata del equipo. Durante el ajuste, esta marca (a) debe ajustarse esta marca a una altura de 1 1/4" (32 mm) sobre el nivel del suelo.

¡Es sumamente importante cumplir con estas medidas, para lograr una buena alineación de los frentes de los muebles!

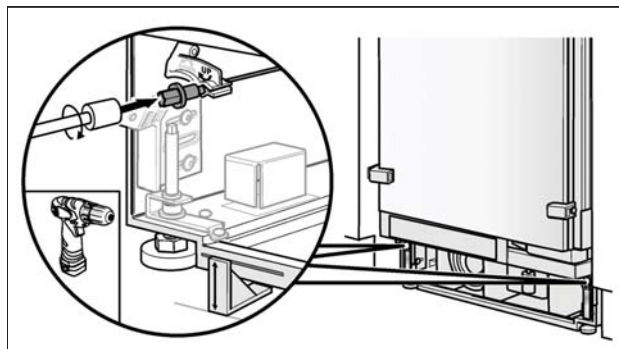


El elemento de ajuste de altura (b) se utiliza para el ajuste correcto de la misma. La esquina superior del elemento debe estar alineada con la marca que se encuentra en el equipo.

2. Desatornillar las patas anteriores del electrodoméstico hasta que la marca (a) que se encuentra en el electrodoméstico se encuentra alineada con la esquina superior del elemento de ajuste (b).



3. Alinear el electrodoméstico en sentido vertical, haciendo uso de las patas posteriores. ¡Utilizar un nivel!

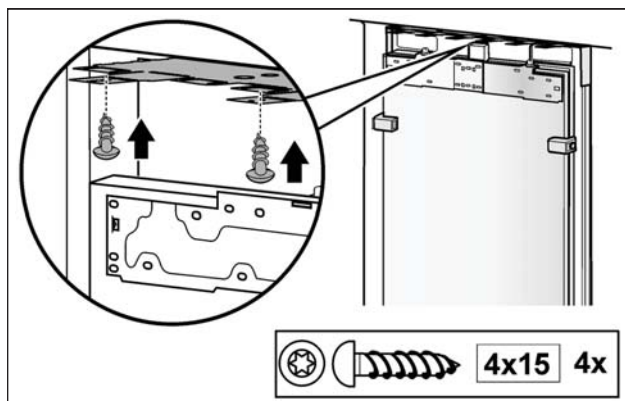


B

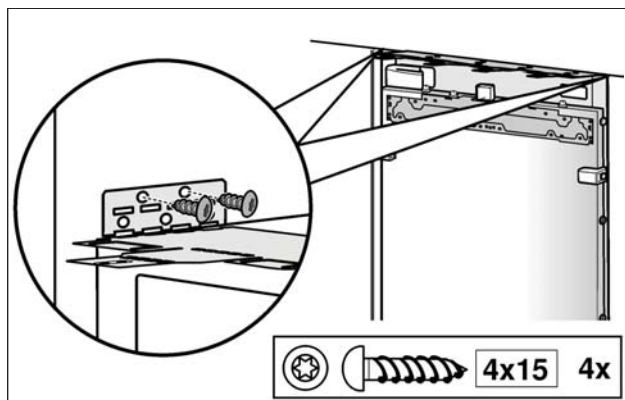
3. Sujutando el electrodoméstico a la cavidad

Es indispensable sujetar el electrodoméstico en la parte superior del encerramiento.

1. Atornille las placas de las eclisas de sujeción (superiores) al mueble o adorno superpuesto.
2. Si en la parte superior del electrodoméstico existe un espacio mayor, es indispensable montar una vigueta de madera de medidas adecuadas, libre de juego sobre el equipo.



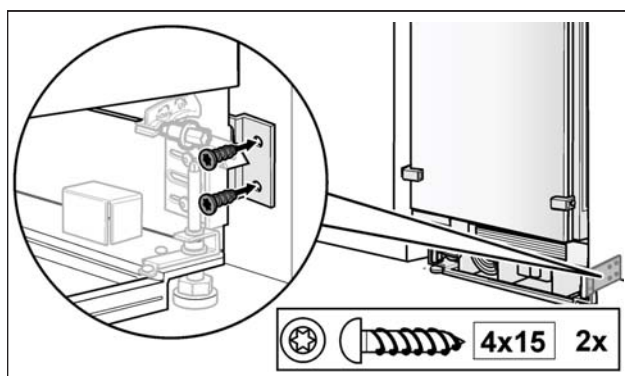
3. Si existe suficiente espacio en la parte superior del electrodoméstico, sujetar la las piezas de conexión de las placas de sujeción (superiores) en la pared lateral del encerramiento.



4. Atornille las placas de sujeción (laterales) a los muebles o adornos laterales.

Nota:

En un montaje lado a lado, esta operación no es posible. Estas piezas están desarmadas.

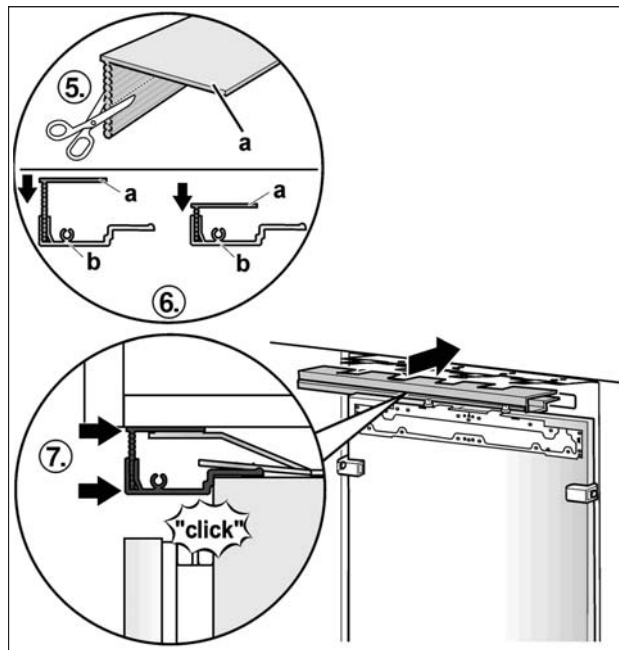


5. Cortar el listón de sujeción (a) para cerrar el espacio libre.

Nota:

El aparato se dañaría si el listón de sujeción (a) es demasiado larga.

6. Presionar el listón de sujeción (a) contra el listón de cobertura (superior).
7. Sujete el listón de cobertura (b) en la placa de montaje (arriba).



Nota:

En caso de una instalación lado a lado, conectar ambos rieles de cobertura en el perno separador que forma parte de los accesorios para este tipo de instalación.



A continuación se detalla un paso de instalación especial. Las instrucciones del caso se dan después del capítulo C.

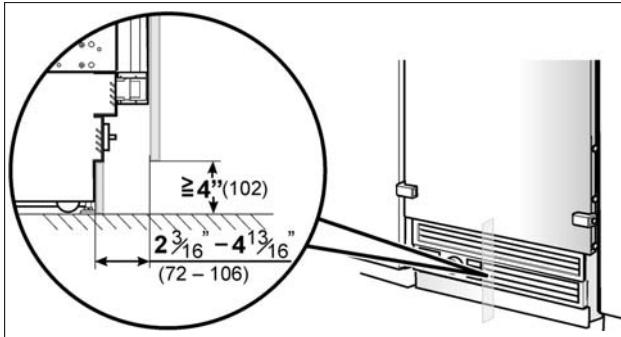
- Por la conexión del agua, ver «Conexión del agua al electrodoméstico».



1. Sujeción del panel de protección

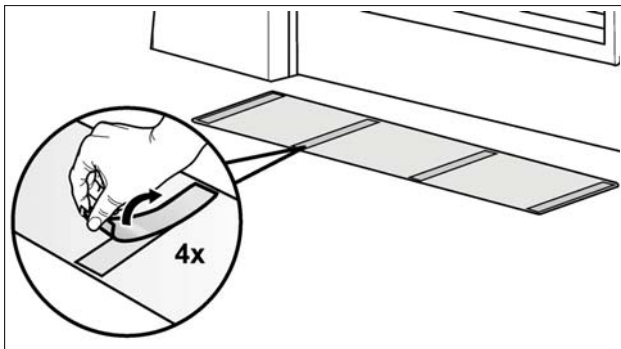
Nota:

No obture las aberturas de ventilación en el base del panel. Existe riesgo de daños en el electrodoméstico. Medidas nominales a tener en cuenta:

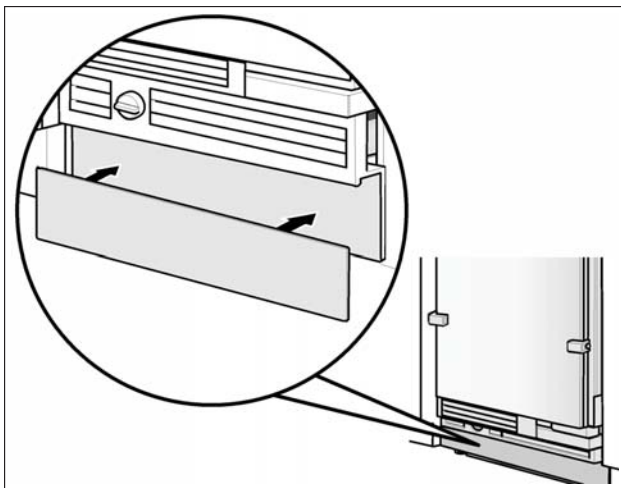


Panel de acero inoxidable (accesorio)

1. Sujetar el panel base en el electrodoméstico (no atornillar).
2. Quitar la película de protección de las bandas adhesivas.



3. Sujetar el panel de protección contra golpes en el panel base y presionarlo firmemente en su sitio.

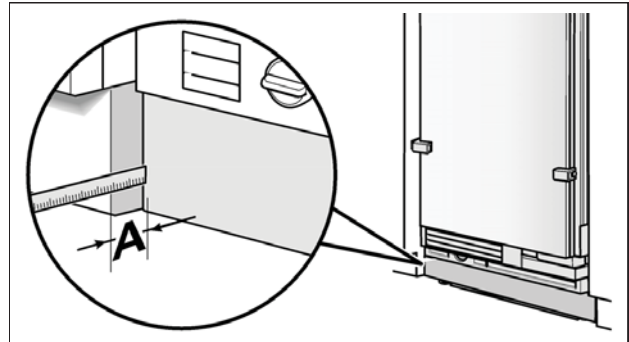


Panel de madera

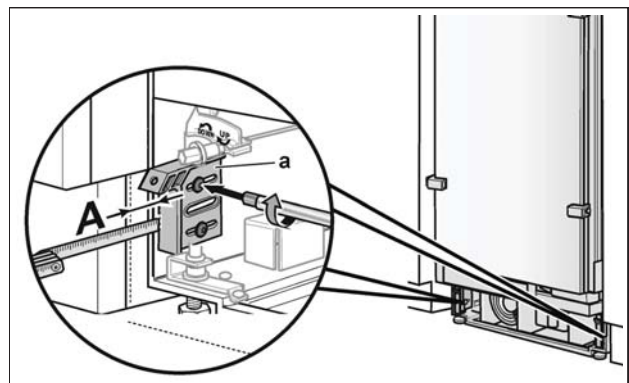
1. Si hiciera falta, cortar el panel de madera a la longitud necesaria.
2. Atornillar el panel de madera en el panel base desde la parte posterior. También hay perforaciones para los tornillos en el panel base.

2. Alineación del panel de protección

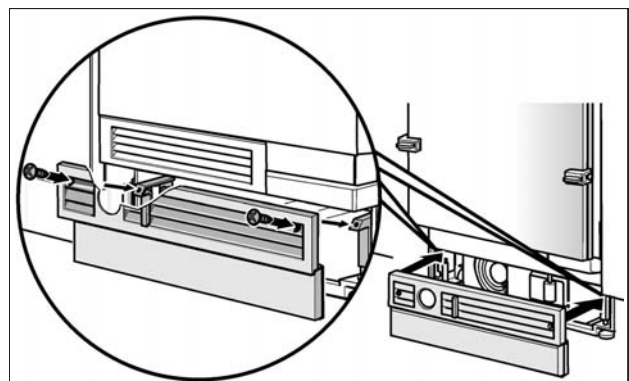
1. Aplique el panel base (sin atornillar) y mida la diferencia **A** entre el panel base y el panel de protección del mueble adyacente.



2. Quite el panel base.
3. Ajustar los topes (**a**) a la medida **A** y sujetarlos.



4. Monte el panel base.





3. Puesta en marcha del electrodoméstico

A fin de garantizar la exactitud de los pasos a realizar a continuación ya que tendrán influencia en la imagen de apariencia de todo el frente de la cocina, ahora debe ponerse en marcha el equipo.

1. Abra la puerta del electrodoméstico.
2. Accione el pulsador POWER.
3. Volver a accionar el pulsador POWER a fin de cerrar.

Únicamente para equipos que disponen de una conexión de agua:

A fin de evitar eventuales daños debidos al agua que pueda surgir en caso de una avería de la tubería correspondiente, debe dejarse todavía cerrado el grifo del agua.

4. Preparación de las puertas mueble

Importante:

Si realiza cualquier trabajo en las puertas de los muebles, tenga siempre en cuenta:

- Atornille siempre en el material que mejor soporta la carga en la puerta del mueble.
- Nunca colocar tornillos en los paneles de las puertas, listones decorativos o similar.
- Seleccione siempre una longitud de los tornillo que sea inferior al espesor de la puerta.
- Proteja las superficies de las puertas durante el trabajo, a fin de evitar daños.

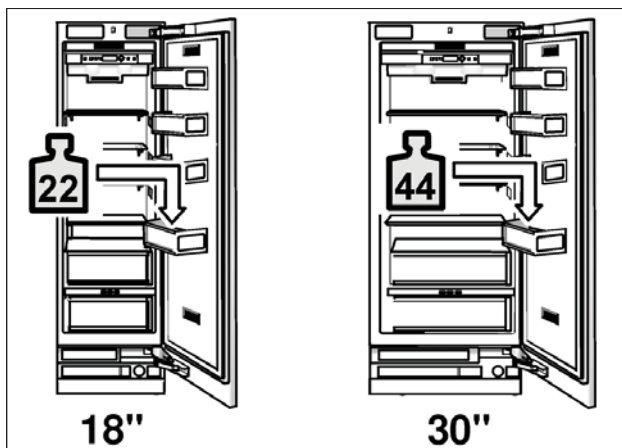
El peso total del frente de mueble, no debe exceder los valores siguientes:

Electrodoméstico de 18":	44 lbs/20 kg
Electrodoméstico de 30":	64 lbs/29 kg

5. Carga admisible en la puerta electrodoméstico

A fin de lograr una exactitud máxima en las medidas de las ranuras de las puertas de los muebles, se recomienda aplicar pesas en las gavetas de la puerta. Se recomienda:

Electrodoméstico de 18":	22 lbs/10 kg
Electrodoméstico de 30":	44 lbs/20 kg

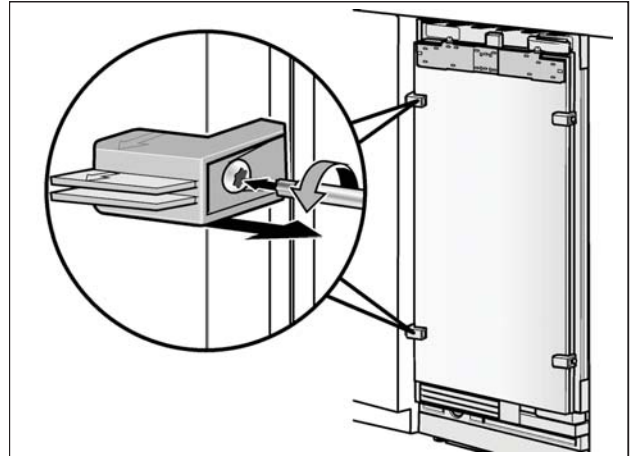


6. Quitar el elemento auxiliar para el posicionamiento

Desatornille el soporte de instalación de la puerta del electrodoméstico.

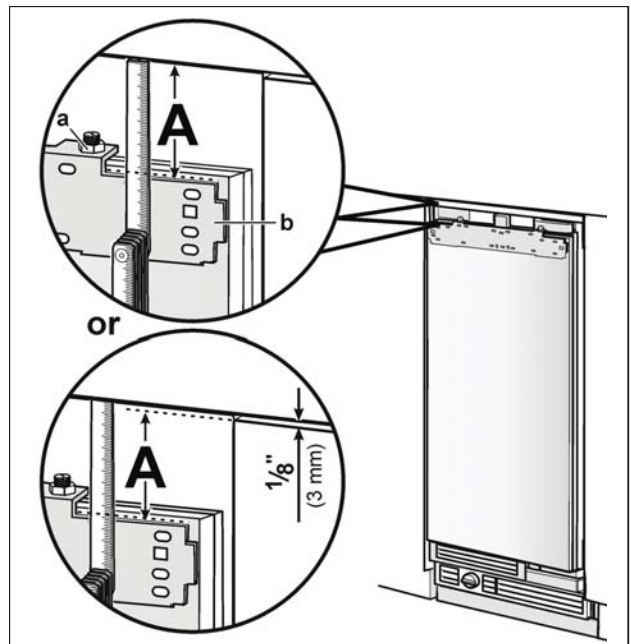
Nota:

Los elementos auxiliares para el posicionamiento son necesarios para el montaje ulterior.



7. Montaje del riel de ajuste en la puerta del mueble

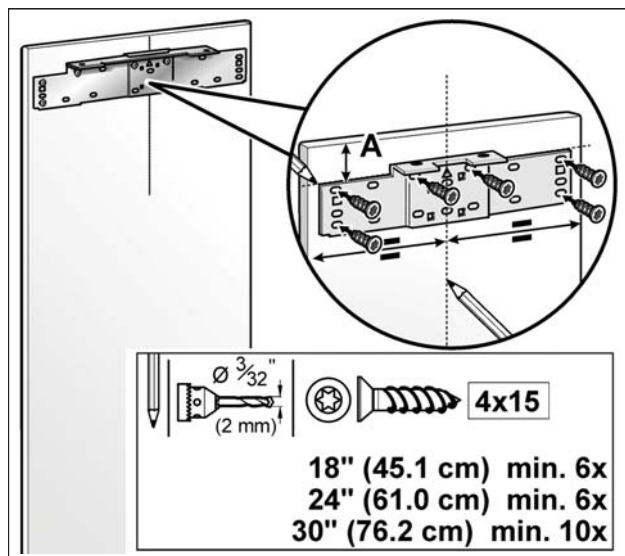
1. Mida la distancia **A** entre el riel de ajuste (**b**) y la parte superior del mueble.



2. Afloje las 2 tuercas (**a**) y quite el riel de ajuste (**b**).
3. Marque la medida **A** sobre la parte posterior de la puerta del mueble.
4. Determine y marque el centro de la puerta del mueble.
5. Aplique el riel de ajuste, alineando a lo largo de las marcas. Marque los orificios.
6. Perfore en estas marcas.



7. Atornille el riel de ajuste firmemente.



Nota:

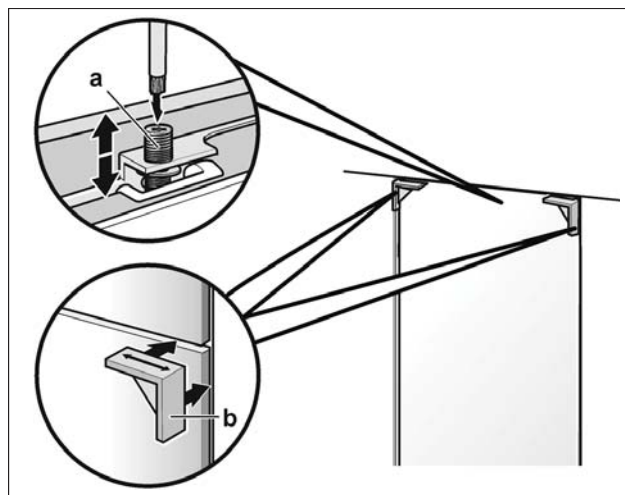
- Sujete el riel de ajuste con un mínimo de 10 tornillos a la puerta del mueble. Debe insertarse un tornillo debajo de cada perno de doble rosca.
- El riel de ajuste presenta una gran variedad de perforaciones, para cubrir las diversas posibilidades de puertas de los muebles.
- Atornille siempre en las partes donde la puerta del mueble presente la mejor capacidad de porte.

8. Sujeción de los listones correspondientes al panel puerta

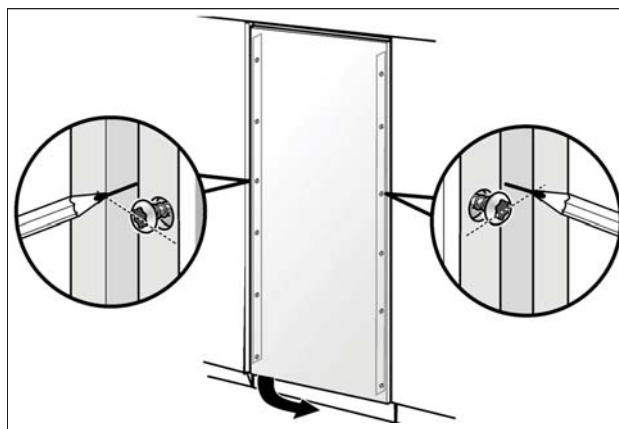
Nota:

Los listones de sujeción están preensamblados para puertas de acero inoxidable. Continuar con el paso de instalación siguiente en este caso («C / 9. Sujeción de la puerta del mueble»).

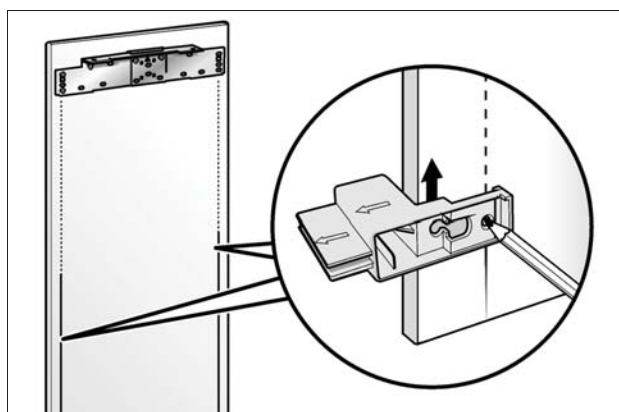
1. Cuelgue la puerta de lo pernos de doble rosca (a).
2. Alinee la puerta mediante los pernos de doble rosca (destornillador Torx). Controlar repetidamente las medidas del espacio. Utilizar el elemento de control (b) a tal fin.



3. Transfiera la posición de los tornillos centrales a través del borde exterior de la puerta del mueble, a la parte frontal del mueble, practicando una marca.



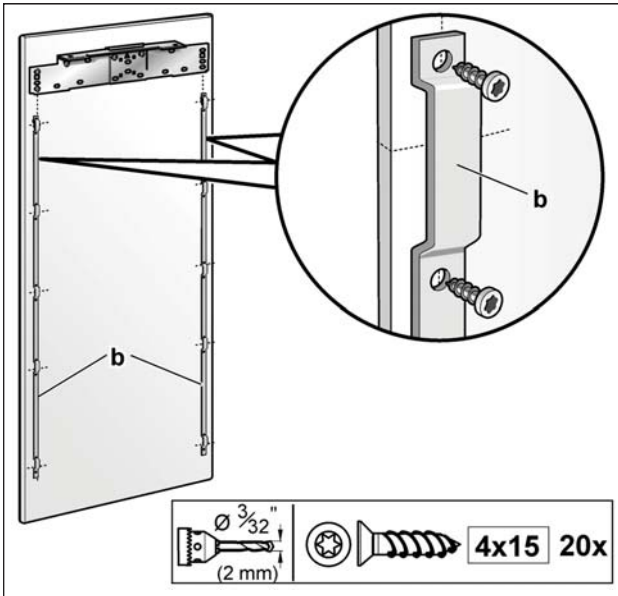
4. Quite la puerta del mueble.
5. Trazar sendas paralelas en los dos lados largos de la puerta del mueble con ayuda del soporte de instalación.



6. Extienda las marcas de los orificios que acaba de hacer, a las marcas verticales mediante una escuadra.
7. Aplique el riel de sujeción y marque los orificios.
8. Perfore en estas marcas.



9. Atornille los rieles de sujeción.

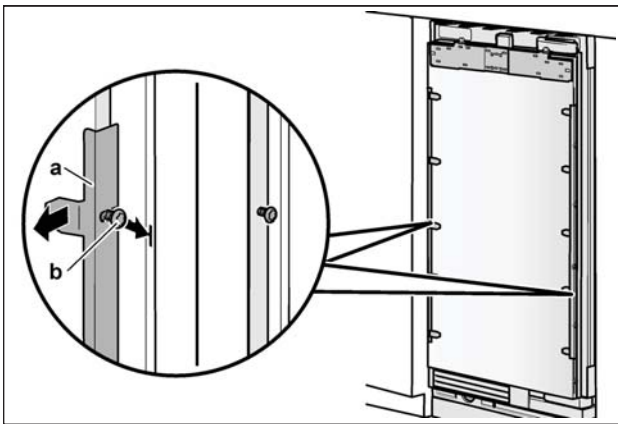


9. Sujeción de la puerta del mueble

Nota:

Atornille ahora las manijas del mueble que ha quitado anteriormente!

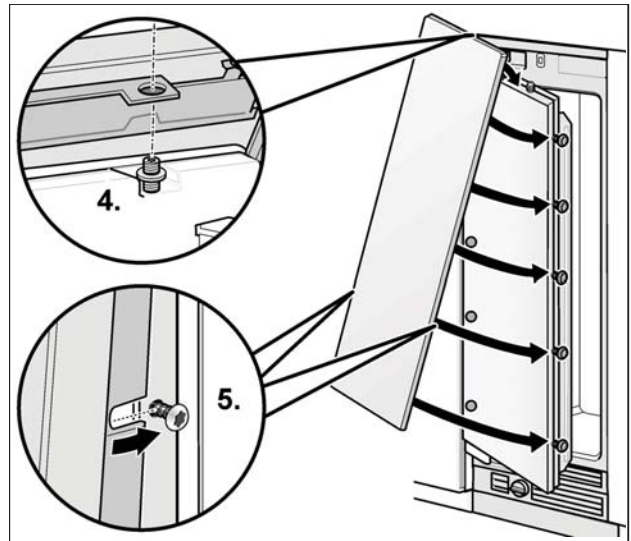
1. Quitar los soportes de sujeción (a) de la puerta del electrodoméstico. Para lograrlo, aflojar solamente los tornillos (b) del listón.



2. Insertar los soportes de sujeción quitados (a) en los rieles de ajuste (b) del panel de la puerta.



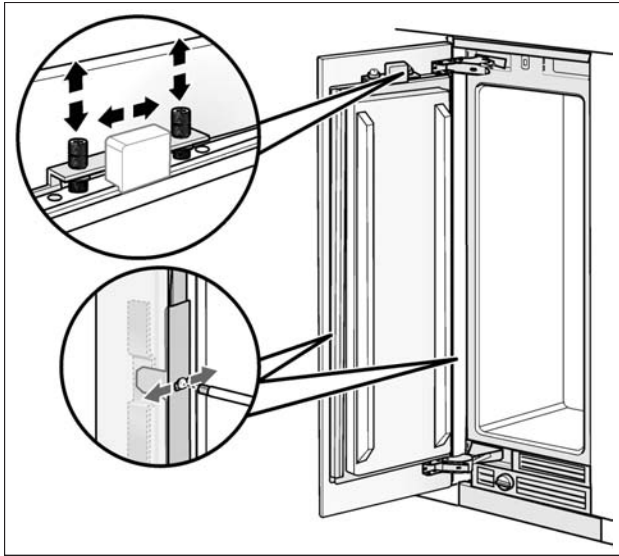
3. Abrir la puerta del aparato.
4. Cuelgue la puerta con el riel de ajuste sobre los pernos de doble rosca.
5. Eleve levemente la puerta del mueble, empujando luego el riel de sujeción hacia abajo sobre las grampas de sujeción.



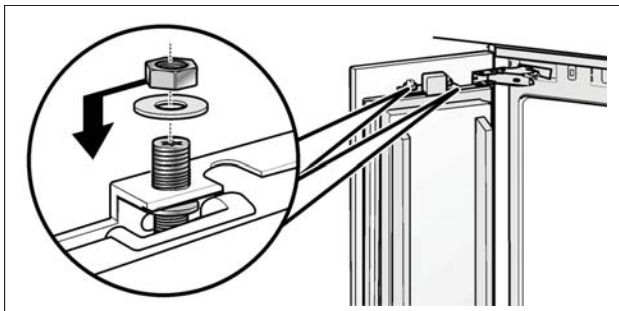
6. Alinear la puerta del mueble mediante los pernos de doble rosca (y un destornillador Torx). Controlar la holgura.
7. Cierra la puerta y controle que la profundidad del frente del mueble esté alineado con los frentes adyacentes. Corrija si hace falta.
8. Ajuste los tornillos de los soportes, a fin de fijar la profundidad de alineación.



9. Cierre la puerta y controle la alineación. Corrija golpeando suavemente en el borde de la puerta con la mano.



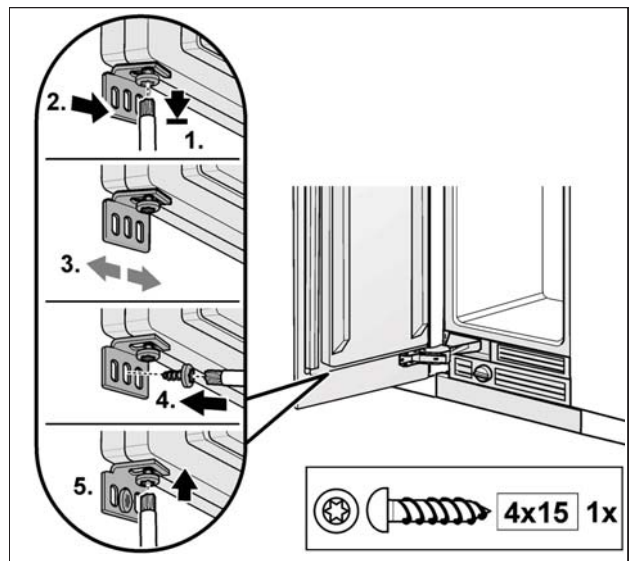
10. Ajuste las tuercas en el riel de ajuste. Esto fijará el ajuste lateral de la puerta.



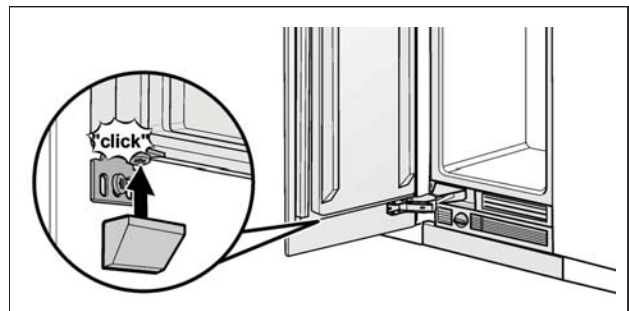
10. Montaje de los soportes inferiores

Los soportes inferiores ajustan la alineación lateral de la puerta. La cantidad de soportes inferiores depende del ancho y el diseño de la puerta del mueble. Atornille los soportes inferiores (correspondiente al juego de elementos auxiliares). ¡Practique orificios preparativos en la puerta del mueble!

1. Afloje los tornillos.
2. Desplazar el soporte sobre el tornillo.
3. Controle la posición lateral de la puerta.
4. Atornille los tornillos de madera.
5. Ajuste los tornillos.



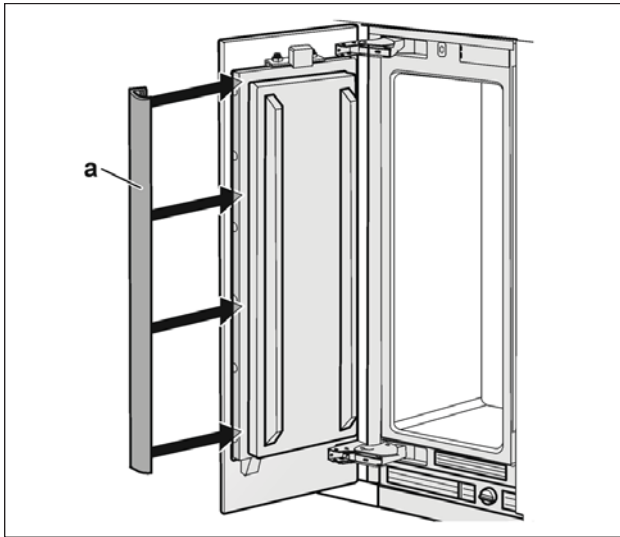
6. Coloque la cubierta sobre los soportes.



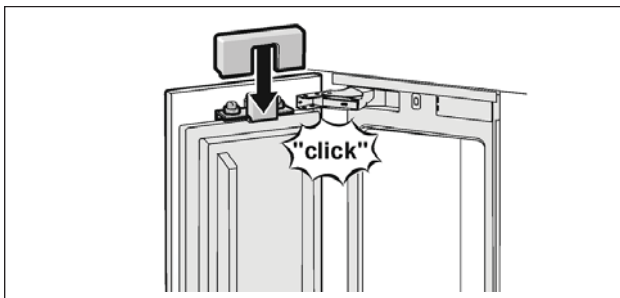


11. Montaje de las cubiertas

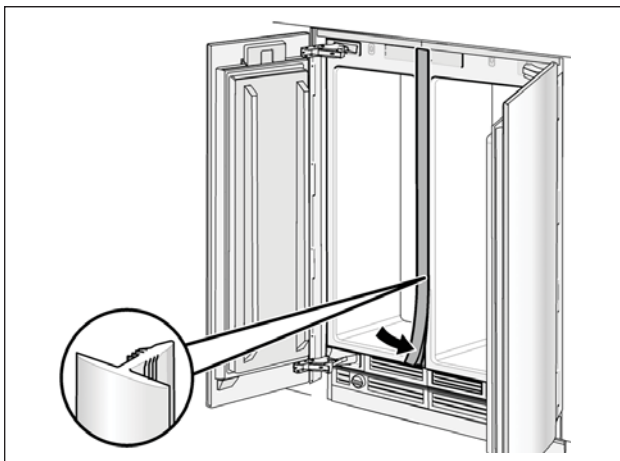
1. Monte el riel de cobertura (a).



2. Monte la cubierta para el conmutador de la luz. La cubierta pueden atornillarse en la puerta.



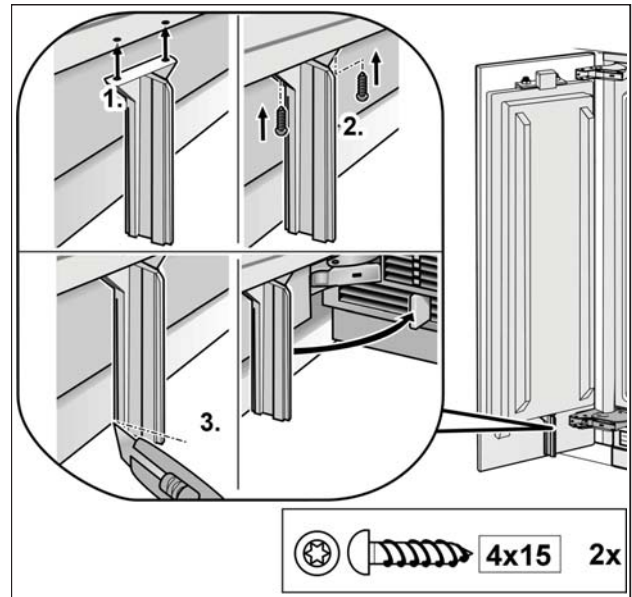
Únicamente en caso de instalación Side-by-Side (Lado a lado):



Inserte el listón de cobertura en el espacio comprendido entre los electrodomésticos. El listón de cobertura está incluido en el kit estanqueizador para la instalación lado a lado.

12. Montaje del separador de aire

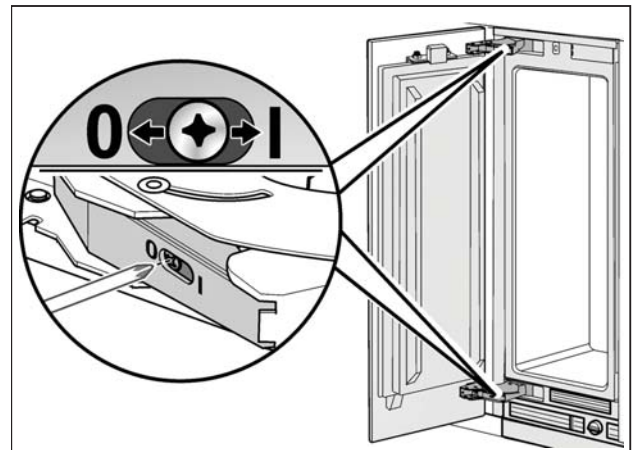
Montar el separador de aire a la puerta del mueble a fin de separar el aire de entrada y salida.



13. Cambio del muelle de la puerta

Girar del tornillo de ajuste mediante un destornillador para ranura en cruz.

I = aumenta la tensión del muelle
0 = disminuye la tensión del muelle



A continuación se detallan los pasos de instalación especiales. Las instrucciones del caso se dan después del capítulo C.

- Por el tope para la puerta, ver «Ajuste del ángulo de apertura de la puerta».

Con esto, el montaje del aparato ha concluido.

Instalación especial

Cambiando las bisagras



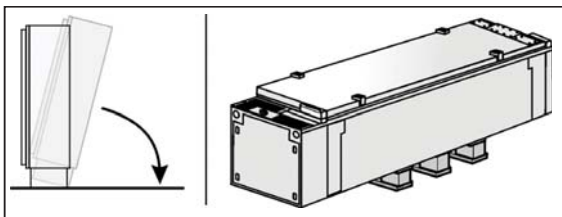
AVISO:

¡Hay peligro de lesiones!

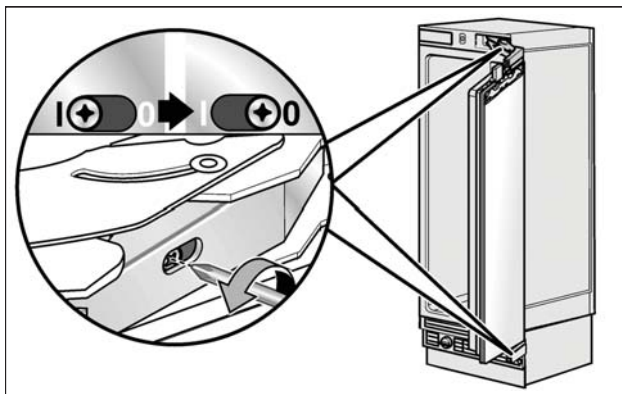
¡Antes de trabajar en las bisagras, quite los muelles!

Nota:

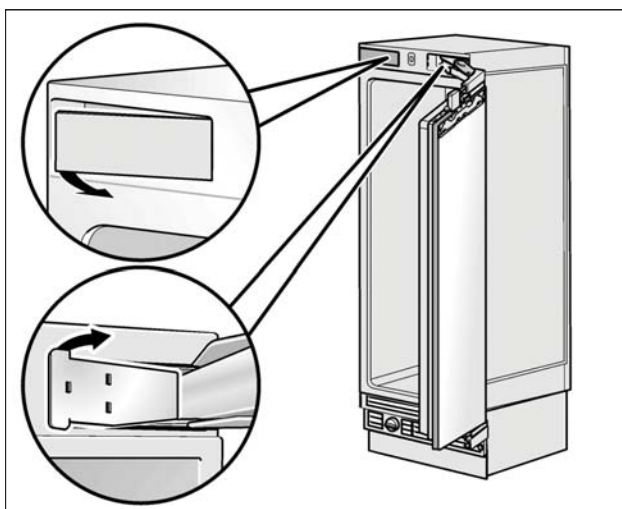
- En los congeladores equipados con dispensador de agua/hielo, no puede modificarse el sentido de apertura de la puerta.
- El cambio de la bisagra de la puerta se hace con mayor facilidad, si el electrodoméstico está acostado sobre su parte posterior (colocar la paleta debajo del mismo).



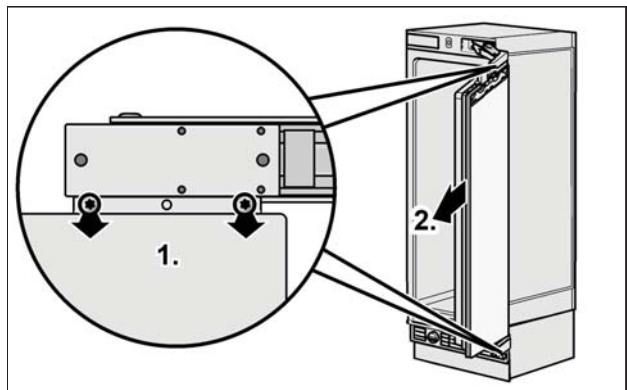
1. Afloje el muelle de la bisagra.
Afloje el tornillo **I** a **0**.



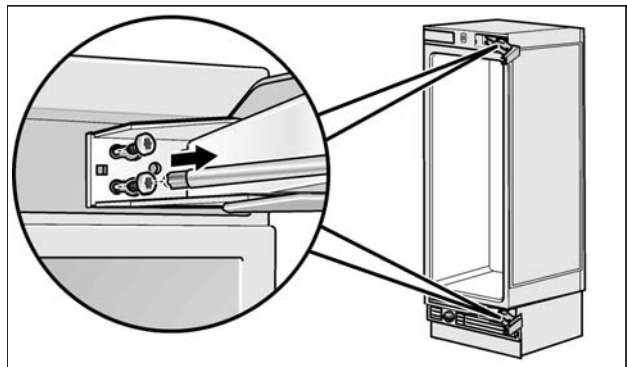
2. Quite la caja de protección de la bisagra.



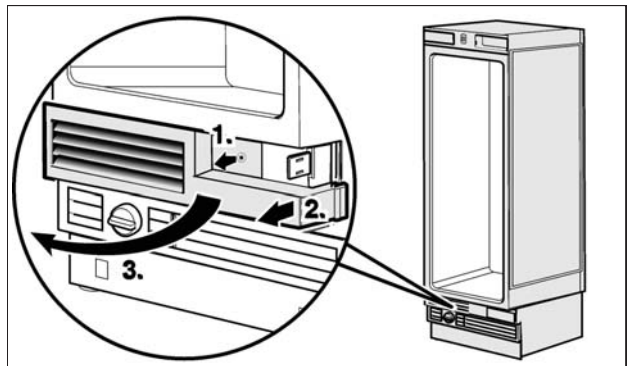
3. Desatornillar (1.) y quitar (2.) la puerta.



4. Quite las bisagras.

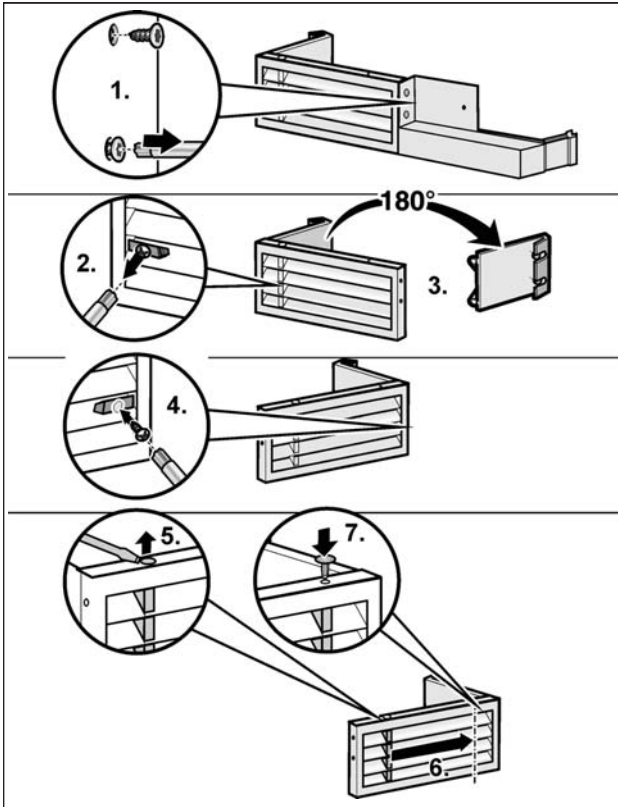


5. Retirar la rejilla de ventilación.

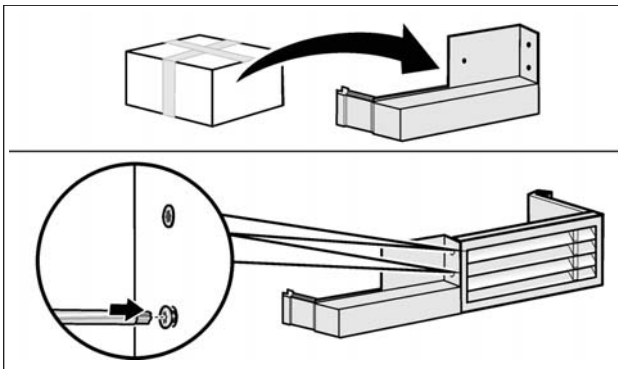




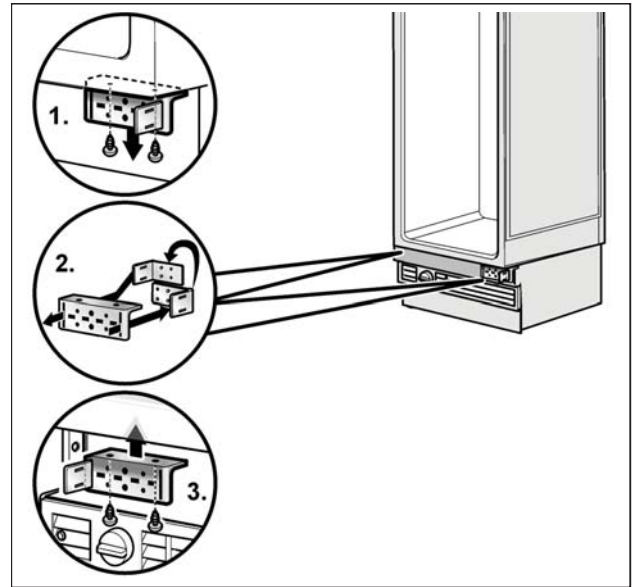
6. Montar la rejilla para el cambio del sentido de apertura de la puerta.



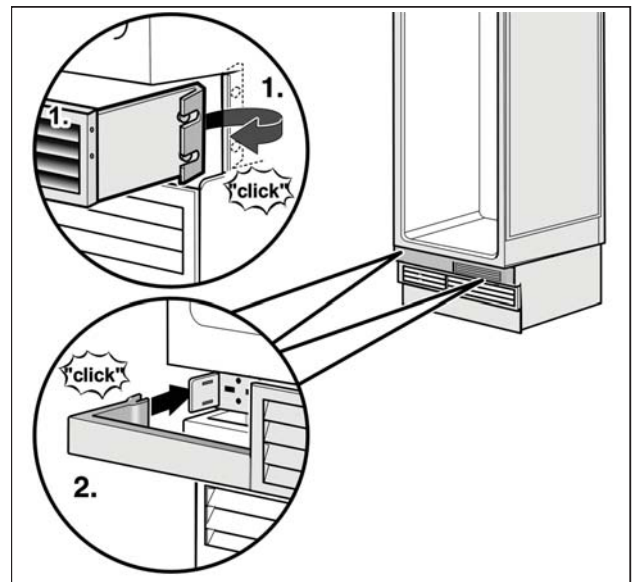
Para adaptar el aparato al cambio del sentido de apertura de la puerta, el volumen de suministro del aparato incluye una pieza de repuesto para la rejilla de ventilación.



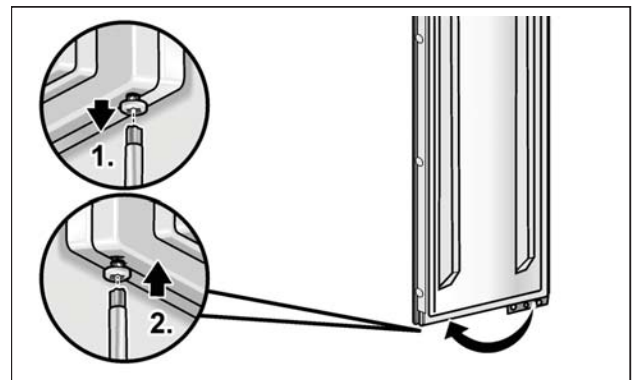
7. Cambie de lado el ángulo de la bisagra.



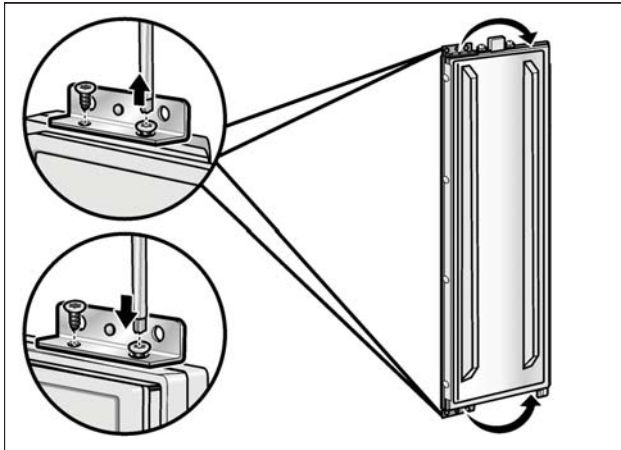
8. Fijar la rejilla de ventilación.



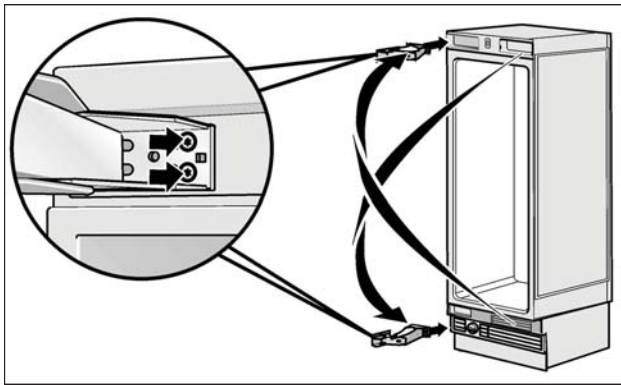
9. Cambiar de sitio el tornillo en el tope superior.



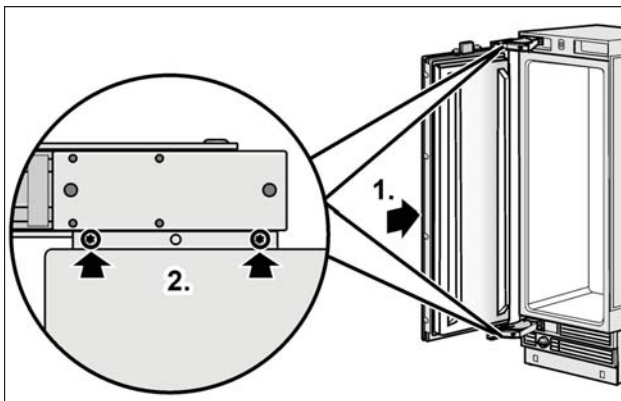
10. Cambie de lado las piezas de sujeción en la puerta.



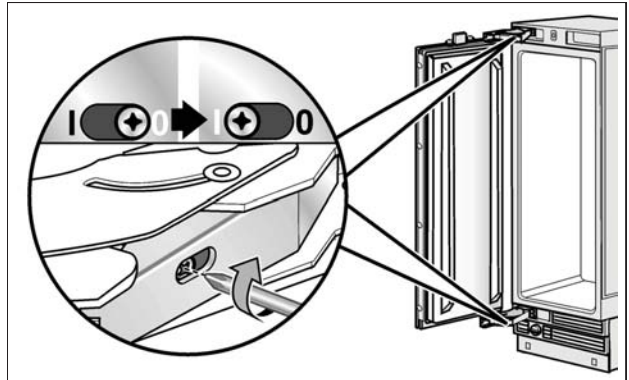
11. Sujete las bisagras en el electrodoméstico.
¡Cambie las bisagras cruzadas!



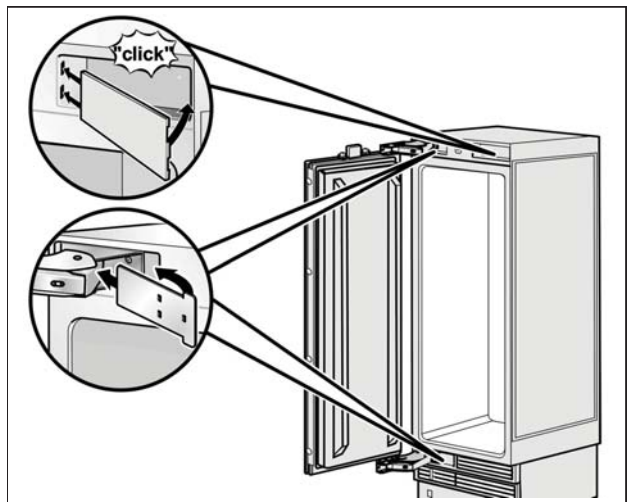
12. Sujete la puerta.



13. Tensione el muelle de la bisagra. Ajuste el tornillo de 0 a I. Sujete luego la caja de cobertura de la bisagra.



14. Sujete luego la caja de cobertura de la bisagra.

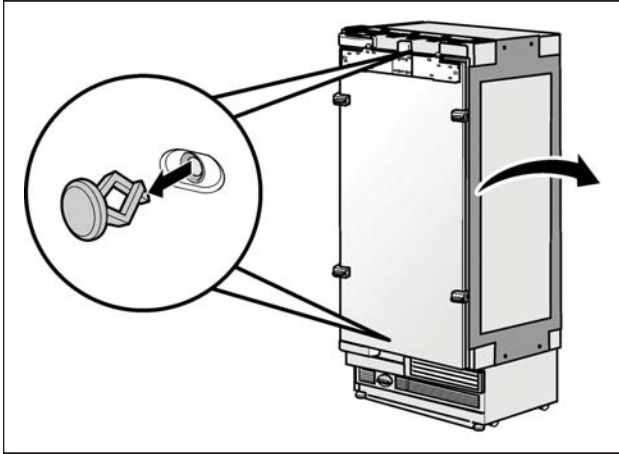




Quitado / cambio de la esterilla de sellado

Los congeladores se entregan de fábrica, acompañados por una esterilla de sellado, para su instalación lado a lado.

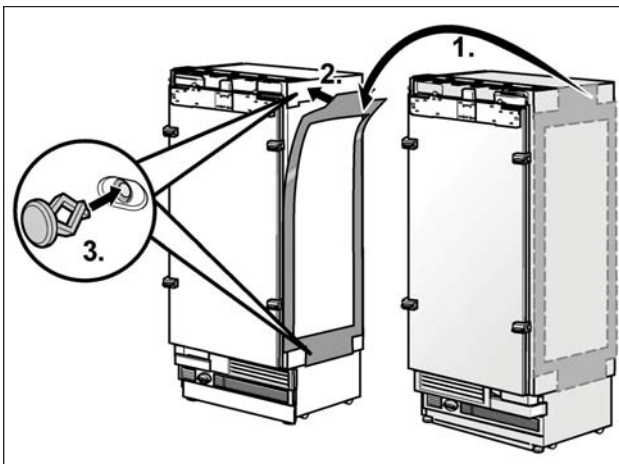
Si se planea una instalación individual de la unidad, no se necesita la esterilla de sellado, pudiéndosela quitar.



Para una instalación lado a lado, la presencia de la esterilla de sellado es indispensable.

En caso de haber cambiado el sentido de apertura de la puerta, deberá fijarse la esterilla de sellado en el otro aparato.

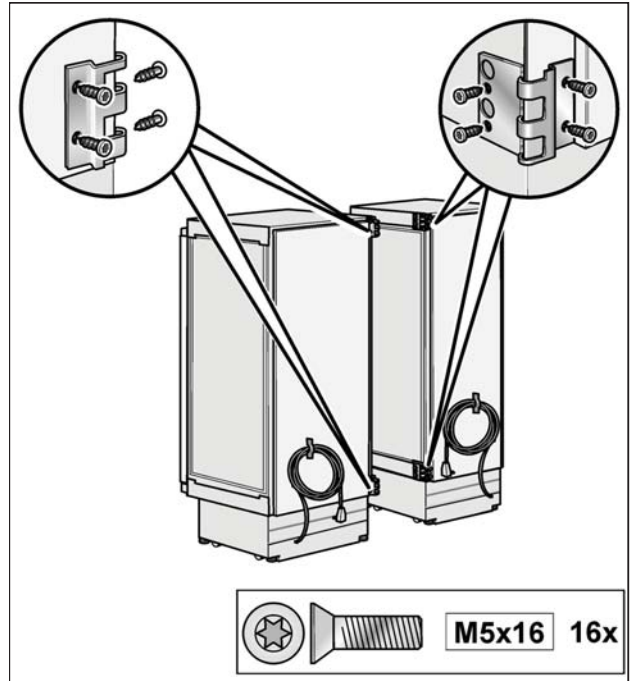
¡Fijar la esterilla de sellado siempre en el lateral derecho del aparato situado a la izquierda!



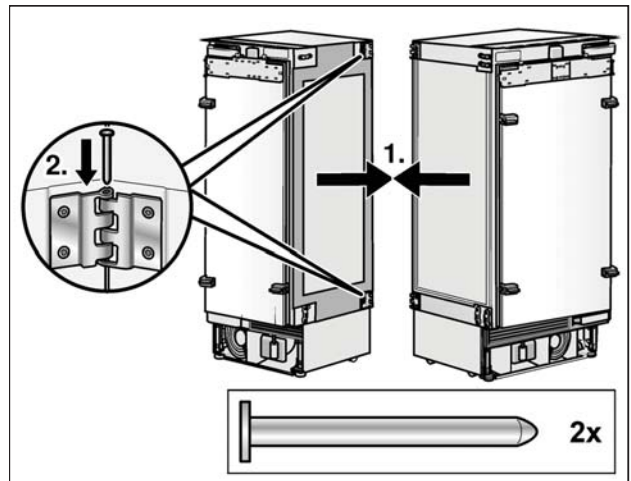
Instalación Side-by-Side (lado a lado)

Si ha previsto un emplazamiento lado a lado, debe ahora unir ambos equipos.

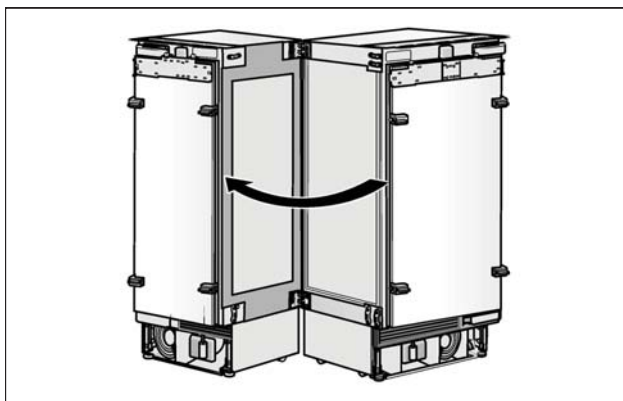
1. Atornille las mitades de las bisagras del juego lado a lado en ambos electrodomésticos.



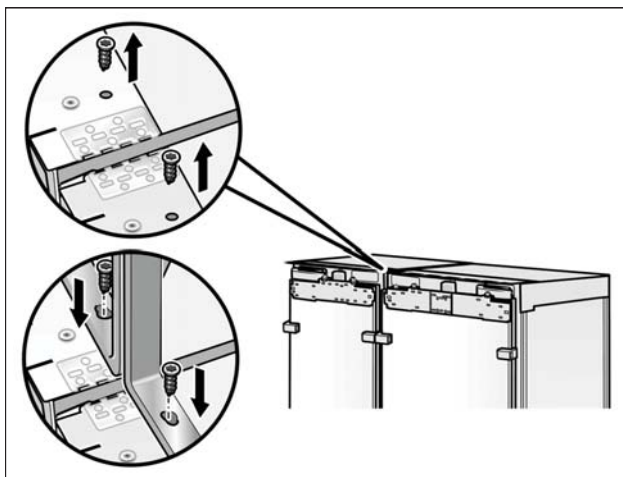
2. Junte los electrodomésticos empujándolos, hasta que las mitades de las bisagras penetren una en otra.
3. Coloque los pernos en las bisagras.



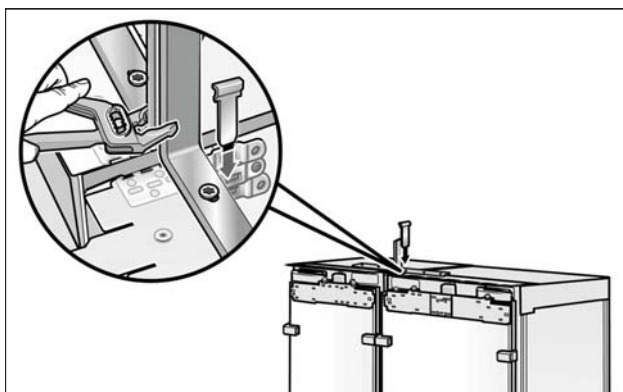
4. Junte la parte anterior de los electrodomésticos, empujándolos hasta donde sea posible.



5. Afloje los tornillos en la parte superior del electrodoméstico y atornille los elementos auxiliares de instalación en el lado superior de ambos electrodomésticos.

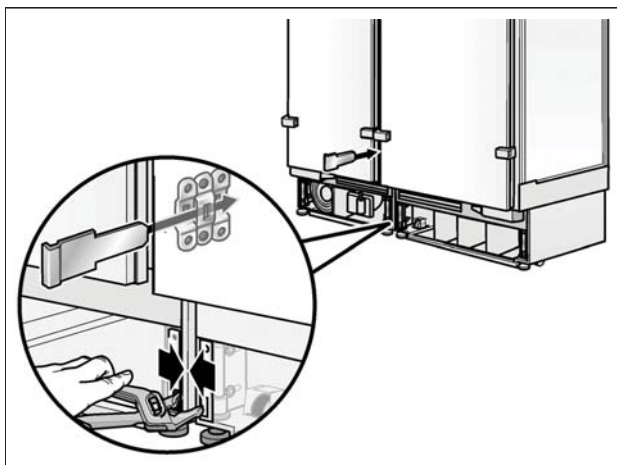


6. Junte la parte superior de los electrodomésticos mediante al pinza corrediza cocodrilo.
7. Una vez completamente juntados los electrodomésticos, inserte la barra en las placas superiores.

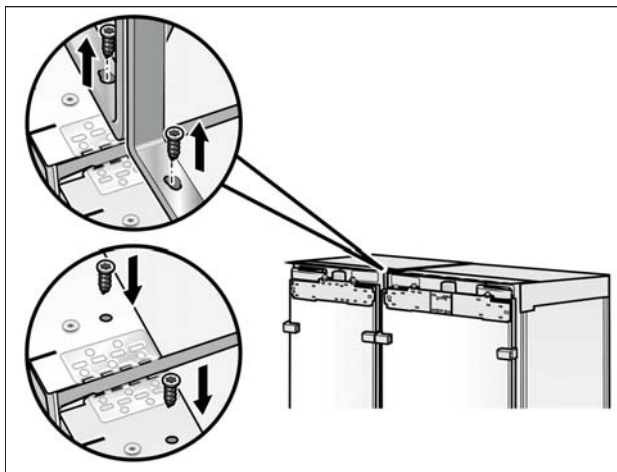


8. Junte la parte inferior de los electrodomésticos mediante una pinza corrediza cocodrilo.

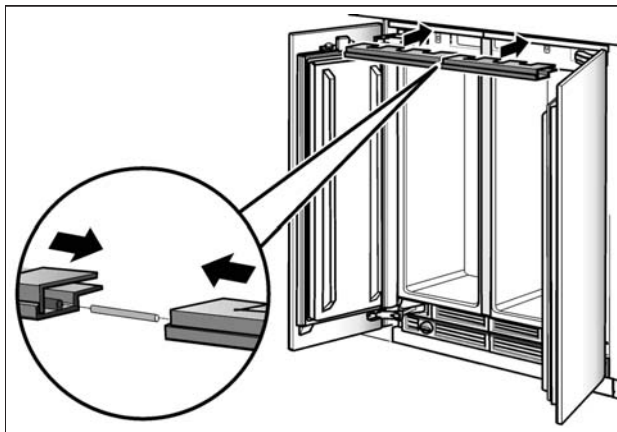
9. Una vez completamente juntas las partes inferiores de los electrodomésticos, inserte la barra en las placas inferiores. Utilice una herramienta para empujar la barra en toda su longitud.



10. Quite los elementos auxiliares de instalación.



11. Para sujete el listón de cobertura (b) en la placa de montaje (arriba):
Conectar ambos rieles de cobertura en el perno separador que forma parte de los accesorios para este tipo de instalación.





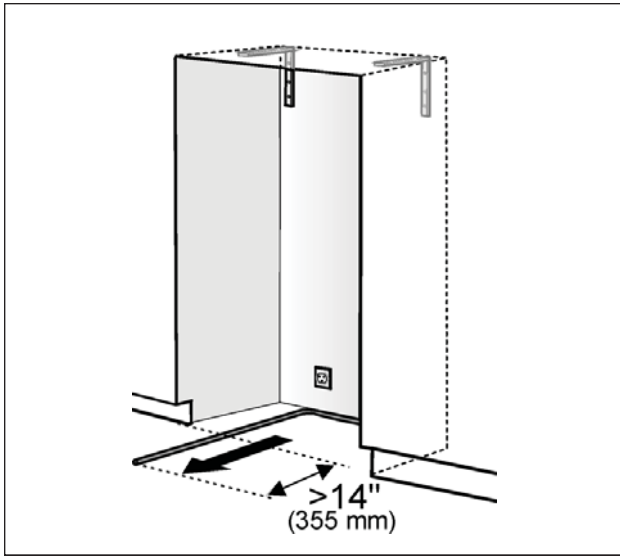
Preparación para conectar el agua

(solamente si el electrodoméstico requiere de una conexión de agua)

Nota:

Cierre la llave principal de agua, a fin de evitar daños debidos a la pérdida de agua.

1. Monte la tubería de conexión a la válvula de cierre, según las instrucciones suministradas por el fabricante de la instalación generadora de hielo.
2. Instale la tubería de conexión. Observe siempre las medidas de separación indicadas, a fin de evitar daños en la tubería de conexión, cuando coloca el electrodoméstico en su sitio.



Conexión del agua al electrodoméstico

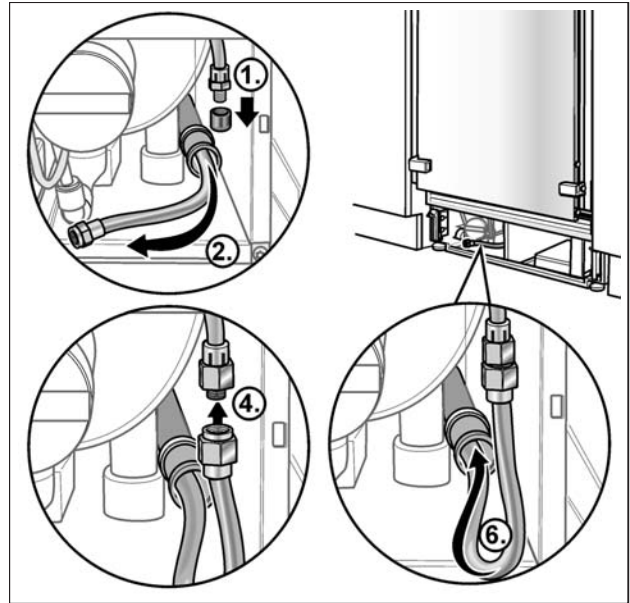
(solamente si el electrodoméstico requiere de una conexión de agua)

Nota:

Cuando conecte la tubería de agua, no la retuerza. De lo contrario existe **el riesgo que se produzcan pérdidas de agua.**

1. Quite la capa de la conexión del electrodoméstico.
2. Doble la tubería de agua de acuerdo con la ubicación de la conexión del electrodoméstico.
3. Empuje la tuerca de unión, sellando la unión sobre la tubería de agua.
4. Empuje el extremo de la tubería de agua, hasta que penetre en la conexión del electrodoméstico y enrosque la tuerca de unión.
5. Ajuste la tuerca de unión mediante la llave de boca.
¡No fuerce la rosca!

6. Volver a conectar la línea de conexión de agua en el tubo correspondiente tan rápido como sea posible.



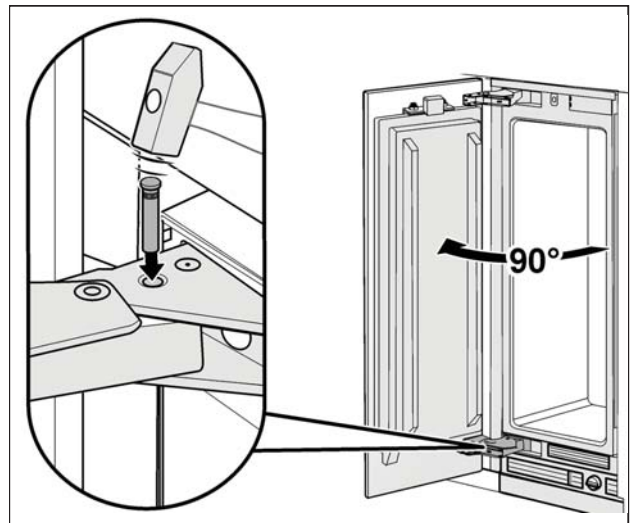
7. Abra la válvula de cierre y la llave general.
8. Controle la válvula de cierre y la conexión en el electrodoméstico, para localizar eventuales pérdidas.
9. Cierre la llave general de agua.

Ajuste del ángulo de apertura de la puerta

Dependiendo de las condiciones de instalación, puede ser necesario ajustar el ángulo de apertura de la puerta. En fábrica se ha ajustado un ángulo de apertura de 115°.

A fin de ajustar el ángulo de apertura a 90°:

1. Abrir la puerta a 90°.
2. Introducir el perno limitador a través de las dos perforaciones ahora enfrentadas, golpeando con un martillo.





BSH Home Appliances Corporation

1901 Main Street, Suite 600,

Irvine CA 92614, USA

www.bosch-home.com



8001069778 (9704)

en-us, fr-ca, es-mx