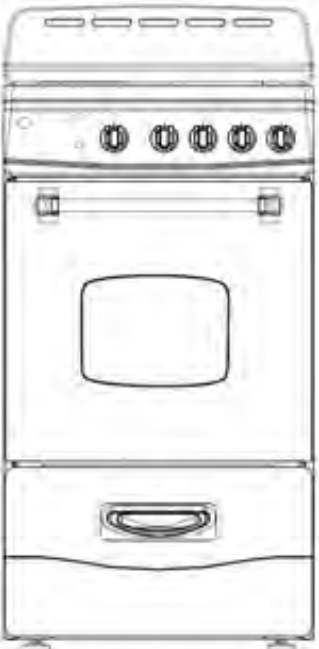
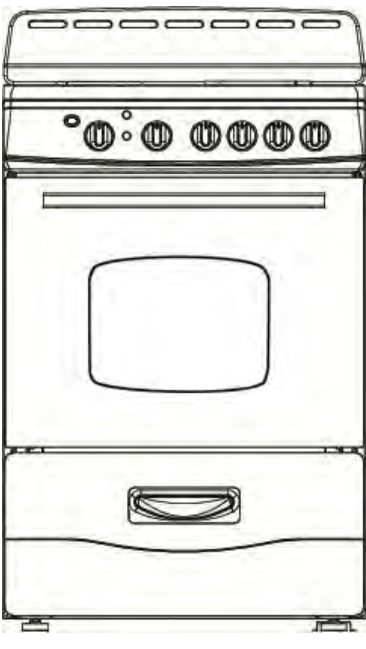
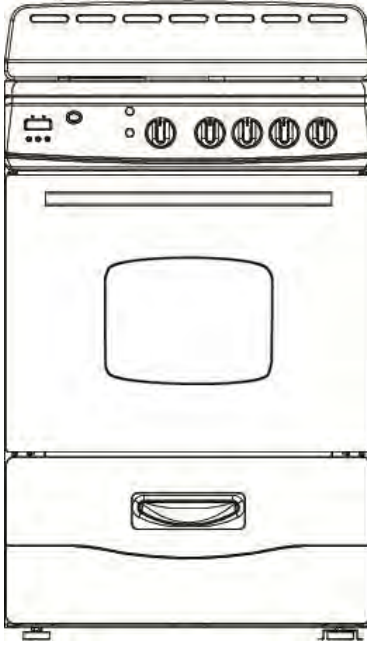




| ELECTRIC RANGES COCINAS ELECTRICAS CUISINIÈRES ÉLECTRIQUES | | INSTRUCTION MANUAL MANUAL DE INSTRUCCIONES MANUEL D'INSTRUCTIONS | |
|--|--|--|--|
|  |  |  | |
| Models / Modelos / Modelés: ER20P0W ER20P3SG | Models / Modelos / Modelés: ER24P0WG ER24P1BG | Model / Modelo / Modelé: ER24P3SG | |

Actual design / color may vary./Diseño / color real puede variar. / Design / Couleur peut varier

BEFORE USE, PLEASE READ AND FOLLOW ALL SAFETY RULES AND OPERATING INSTRUCTIONS.

Avanti has a policy of continuous improvement on its products and reserves the right to change materials and specifications without notice.

**Avanti Products LLC
P.O. Box 520604
Miami, FL 33152
www.avantiproducts.com**

TABLE OF CONTENTS

| | |
|--|-----------|
| Help Us Help You ... | 3 |
| Range Safety | 4 |
| Important Safeguides | 5 |
| The Anti-tip Bracket | 6 |
| Parts and Features | 7 |
| Important Safety Instructions | 8 – 9 |
| Installation Instructions | 10 |
| Before Using Your Electric Range | 10 |
| Important Precautions and Recommendations | 11 |
| Installation of Your Electric Range | 12 – 13 |
| Electrical Connection | 14 |
| Leveling the Range | 15 |
| Anti-tip Bracket Installation | 15 |
| Operating Your Electric Range | 16 |
| Control Panel | 16 |
| Using the Surface Unit | 17 |
| Cookware Tips | 17 |
| Using the Oven | 18 – 19 |
| Care and Maintenance | 20 |
| General Information | 20 |
| Cleaning Your Range | 20 |
| Cleaning Surface Units and Reflector Bowls | 20 |
| Lift-up Cooktop | 21 |
| Removable Storage Drawer | 21 |
| Replacing the Oven Light | 21 |
| Troubleshooting Guide | 22 |
| Service for Your Appliance | 23 |
| Wiring Diagram | 23 |
| Your Avanti Products Warranty | 24 |
| Instrucciones en Español | 25 – 36 |
| Instructions en Français | 37 - 61 |
| Registration Information and Registration Card | Last Page |

HELP US HELP YOU...

Read this guide carefully.

It is intended to help you operate and maintain your new appliance properly.

Keep it handy to answer your questions. If you don't understand something or you need more help, please call:

**Avanti Customer Service
800-220-5570**

Keep proof of original purchase date (such as your sales slip) with this guide to establish the warranty period.

CAUTION:

**THIS APPLIANCE IS NOT
DESIGNED FOR THE STORAGE
OF MEDICINE OR OTHER
MEDICAL PRODUCTS.**

Write down the model and serial numbers.

You'll find them on a plate located on the rear outside wall of the appliance.

Please write these numbers here:

Date of Purchase

Model Number

Serial Number

Use these numbers in any correspondence or service calls concerning your appliance.

If you received a damaged appliance, immediately contact the dealer (or builder) that sold you the appliance.

Save time and money. Before you call for service, check the Troubleshooting Guide. It lists causes of minor operating problems that you can correct yourself.

IF YOU NEED SERVICE

We're proud of our service and want you to be pleased. If for some reason you are not happy with the service you receive, here are some steps to follow for further assistance. FIRST, contact the people who serviced your appliance. Explain why you are not pleased. In most cases, this will solve the problem.

NEXT, if you are still not pleased, write all the details, including your telephone number, and send it to:

**Customer Service
Avanti Products
10880 NW 30 Street
Miami, FL 33172 USA**

RANGE SAFETY

Your safety and the safety of others are very important.

We have provided many important safety messages in this manual and on your appliance. Always read and obey all safety messages.



This is the Safety Alert Symbol. This symbol alerts you to potential hazards that can kill or injure you and others. All safety messages will follow the Safety Alert Symbol and either the words "DANGER", "WARNING" or "CAUTION". These words mean:



Danger means that failure to heed this safety statement may result in severe personal injury or death.



Warning means that failure to heed this safety statement may result in extensive product damage, serious personal injury, or death.



Caution means that failure to heed this safety statement may result in minor or moderate personal injury, or property or equipment damage.

All safety messages will alert you to what the potential hazard is, tell you how to reduce the chance of injury, and let you know what can happen if the instructions are not followed.

IMPORTANT SAFEGUIDES



Before the appliance is used, it must be properly positioned and installed as described in this manual, so read the manual carefully. To reduce the risk of fire, electrical shock or injury when using the appliance, follow basic precaution, including the following:

DANGER

- It is recommended that a separate circuit, serving only your appliance be provided. Use receptacles that cannot be turned off by a switch or pull chain.
- Never clean appliance parts with flammable fluids. These fumes can create a fire hazard or explosion. And do not store or use gasoline or other flammable vapors and liquids in the vicinity of this or any other appliance. The fumes can create a fire hazard or explosion.
- Before proceeding with cleaning and maintenance operations, make sure the power line of the unit is disconnected.
- Unplug the appliance or disconnect power before cleaning or servicing. Failure to do so can result in electrical shock or death.
- Do not attempt to repair or replace any part of your appliance unless it is specifically recommended in this manual. All other servicing should be referred to a qualified technician.

WARNING

- This appliance shall not be used for space heating. The surface unit should not be operated without cookware. This information is based on safety considerations.
- All openings in the wall behind the appliance and in the floor under the appliance shall be sealed.
- Keep appliance area clear and free from combustible materials, gasoline, and other flammable vapors.
- Do not obstruct the flow of ventilation air.
- Disconnect the electrical supply to the appliance before servicing.
- When removing appliance for cleaning and/or service:
 - Disconnect AC power supply.
 - Carefully remove the range by pulling outward.
- **CAUTION:** Range is heavy. Use care in handling.
- The misuse of oven door (e.g. stepping, sitting, or leaning on them) can result in potential hazards and /or injuries.
- When installing or removing the range for service, a rolling life jack should be used. Do not push against any of the edges of the range in an attempt to slide it into or out of the installation. Pushing or pulling a range (rather than using a lift jack) also increases the possibility of bending the leg spindles or the internal coupling connectors.
- It is important for the appliance to be leveled in order to work properly. You may need to make several adjustments to level it.
- Never allow children to operate, play with or crawl inside the appliance.
- Electrical Grounding Instructions - The appliance must be installed and grounded by a qualified technician in accordance with the National Electrical Code ANSI/NFPA No. 70 (Latest Edition) and local electrical code requirements.
- Replacement Parts – Only authorized replacement parts may be used in performing service on the range. Replacement parts are available from factory authorized parts distributors. Contact the nearest Avanti service center in your area.
- Take care to prevent aluminum foil and meat probes from contacting the heating elements.

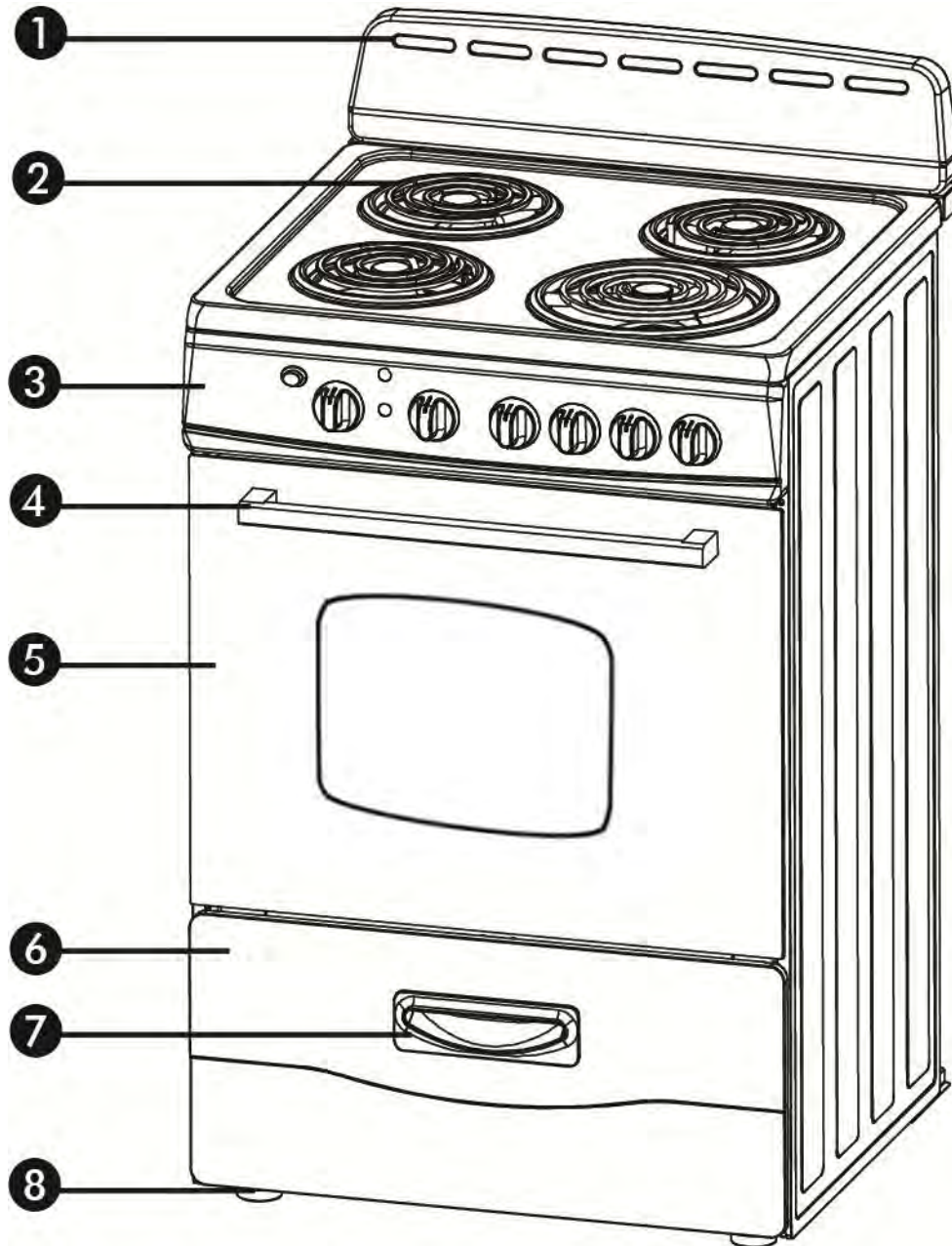
THE ANTI-TIP BRACKET

The range will not tip during normal use. However, the range can tip if you apply too much force or weight to the open door without the anti-tip bracket fastened down properly.

To reduce the risk of tipping the appliance, the appliance must be secured by properly installed anti-tip device packed with the appliance.

| | |
|--|---|
|  | <p> WARNING</p> <p><u>Tip-Over Hazard</u></p> <p>A child or adult can tip the range and be killed.</p> <p>Install the anti-tip device to the range and/or structure per installation instructions.</p> <p>Engage the range to the Anti-tip device installed on the structure.</p> <p>Re-engage the anti-tip device if the range is removed.</p> <p>Failure to follow these instructions can result in death or serious burns to children and adults</p> |
|  <p>Rear foot of range Anti-Tip Device</p> | <p><u>Making sure the anti-tip device is installed:</u></p> <ul style="list-style-type: none">• Slide the range forward.• Look for the anti-tip device, ensure it is attached securely to the floor.• Slide the range back into place so that the rear foot is under the anti-tip device. |

PARTS & FEATURES



1. Backsplash with integrated oven vents
2. Cooktop
3. Control panel
4. Oven Handle
5. Oven Door
6. Storage Drawer
7. Storage Drawer Handle
8. Leveling Legs (4)

IMPORTANT SAFETY INSTRUCTIONS



WARNING

To reduce the risk of fire, electrical shock, or injury when using the range, follow these basic precautions:

- Read all instructions before using the range.
- **WARNING:** TO REDUCE THE RISK OF TIPPING OF THE RANGE, THE RANGE MUST BE SECURED BY PROPERLY INSTALLED ANTI-TIP DEVICE. TO CHECK IF THE DEVICE IS INSTALLED PROPERLY, SLIDE RANGE FORWARD, LOOK FOR ANTI-TIP BRACKET SECURELY ATTACHED TO FLOOR, AND SLIDE RANGE BACK SO REAR RANGE FOOT IS UNDER ANTI-TIP BRACKET.
- **CAUTION:** Do not store items of interest to children in cabinets above a range or on the backsplash of a range – children climbing on the range to reach items could be seriously injured.
- Proper Installation - Be sure the range is properly installed and grounded by a qualified technician.
- Never use your appliance for warming or heating the room.
- Do Not Leave Children Alone - Children should not be left alone or unattended in area where the appliance is in use. They should never be allowed to sit or stand on any part of the appliance.
- Wear Proper Apparel - Loose fitting or hanging garments should never be worn while using the appliance.
- User Servicing - Do not repair or replace any part of the appliance unless specifically recommended in the manual. All other servicing should be referred to a qualified technician.
- Storage in or on Appliance - Flammable materials should not be stored in an oven or near the surface units.
- Do Not Use Water on Grease Fires - Smother fire or flame or use dry chemical or foam-type extinguisher.
- Use Only Dry Potholders - Moist or damp potholders on hot surfaces may result in burns from steam. Do not let potholder touch hot heating elements. Do not use a towel or other bulky cloth.
- Use Proper Pan Size - This appliance is equipped with one or more surface units of different size. Select utensils having flat bottoms large enough to cover the surface unit heating element. The use of undersized utensils will expose a portion of the heating element to direct contact and may result in ignition of clothing. Proper relationship of utensil to burner will also improve efficiency.
- Never Leave Surface Units Unattended at High Heat Settings – Boil over causes smoking and greasy spillovers that may ignite.
- Make Sure Reflector Pans or Drip Bowls Are in Place - Absence of these pans or bowls during cooking may subject wiring or components underneath to damage.
- Protective Liners - Do not use aluminum foil to line surface unit drip bowls or oven bottoms, except as suggested in the manual. Improper installation of these liners may result in a risk of electric shock, or fire.
- Glazed Cooking Utensils - Only certain types of glass, glass/ceramic, ceramic, earthenware, or other glazed utensils are suitable for range top service without breaking due to sudden change in temperature.
- Utensil Handles Should Be turned Inward and Not Extend Over Adjacent Surface Units – To minimize burns, ignition of flammable materials, and spillage due to unintentional contact with the utensil, the handle of a utensil should be positioned so that it is turned inward, and does not extend over adjacent surface units.

- Do Not Soak Removable Heating Elements – Heating elements should never be immersed in water.
- Do Not Cook on Broken Cook-top – If cook-top should break, cleaning solutions and spillovers may penetrate the broken cook-top and create a risk of electric shock. Contact a qualified technician immediately.
- Clean Cook-top With Caution – If a wet sponge or cloth is used to wipe spills on a hot cooking area, be careful to avoid steam burn. Some cleaners can produce noxious fumes if applied to a hot surface.
- Use Care When Opening Door – Let hot air or steam escape before removing or replacing food.
- Do Not Heat Unopened Food Containers – Build-up of pressure may cause container to burst and result in injury.
- Keep Oven Vent Ducts Unobstructed.
- Placement of Oven Racks – Always place oven racks in desired location while oven is cool. If rack must be moved while oven is hot, do not let potholder contact hot heating element in oven.
- Do Not Touch Surface Units, Heating Elements, Interior Surfaces of Oven or Areas Near Units - Surface units and heating elements may be hot even though they are dark in color. Area near surface and interior surfaces of an oven become hot enough to cause burns. During and after use, do not touch, or let clothing or other flammable materials contact surface units, areas near units or interior surfaces of oven until they have had sufficient time to cool. Other surfaces of the appliance may become hot enough to cause burns – among these surfaces are oven vent openings and surfaces near these openings, oven doors, and window of oven doors.

**This Unit Is For Indoor Use Only
-SAVE THESE INSTRUCTIONS-**

INSTALLATION INSTRUCTIONS



HAVE THIS RANGE INSTALLED BY A QUALIFIED INSTALLER.

Improper installation, adjustment, alteration or maintenance can cause injury or property damage. Consult a qualified installer or service agency.

IMPORTANT – SAVE FOR THE LOCAL ELECTRICAL INSPECTOR’S USE.

➤ **BEFORE USING YOUR ELECTRIC RANGE**

- Remove the exterior and interior packing.
- Check to be sure you have all of the following parts:
 - 3 Six Inch Coiled Burners with Reflector Bowls(Pre-installed)
 - 1 Eight Inch Coiled Burner with Reflector Bowls(Pre-installed)
 - 2 Oven Racks
 - 1 Broiler Tray and Grid
 - 1 Anti-tip Bracket
(Packed in the Styrofoam packing above the range – DO NOT DISCARD)
 - 1 Instruction Manual
 - 1 Backsplash Assembly (Backsplash and (5) five screws)
(Packed in the Styrofoam packing above the range – DO NOT DISCARD)
- Clean the interior surface with lukewarm water using a soft cloth.
- Have your range installed and properly grounded by a qualified installer in accordance with the installation instructions.
- Do not attempt to repair or replace any part of your range unless it is specifically recommended in this manual.
- Do not remove permanently affixed labels, warnings, or plates from the product. This may void the warranty.
- The installer should leave these instructions with the consumer who should retain for local inspector’s use and for future reference.
- Please observe all local and national codes and ordinances.

NOTICE

Before you use this range for the first time: The heating elements have a protective coating, which must be burned off before use. To do this, open the oven door and set the temperature control knob to 450°F. Turn the function selector to the Bake element and the Broil element separately to approximately 15 minutes. It is important to ensure adequate ventilation during this period.

The burners also have a protective coating, which must be burned off before use. To do this, set the burner selector to the maximum setting 5 minutes. It is important to ensure adequate ventilation. Switch off the burners and allow cooling completely.

IMPORTANT:

This range is designed and manufactured solely for the cooking of domestic (household) food and is not suitable for any non-domestic application and therefore should not be used in a commercial environment.

The range warranty will be void if the range is used within a non-domestic environment i.e. a semi commercial, commercial or communal environment.

➤ **IMPORTANT PRECAUTIONS AND RECOMMENDATIONS**

After having unpacked the range, check to ensure that it is not damaged and the oven door closes correctly. In case of doubt, do not use it and consult your supplier or a professionally qualified technician.

Packing elements (i.e. plastic bags, polystyrene foam, packing straps, etc.) should not be left around within easy reach of children, as these may cause serious injuries.

The range has been thoroughly tested for safe and efficient operation. However, as with any appliance, there are specific installation and safety precautions that must be followed to ensure safe and satisfactory operation.

- Do not attempt to modify the technical characteristics of the appliance as this may become dangerous to use.
- Do not carry out cleaning or maintenance operations on the appliance without having previously disconnected it from the electric power supply.
- After use, ensure that the knobs are in **OFF** position.
- Never touch the appliance with wet hands or feet.
- Do not operate the appliance barefooted.
- Do not allow children or other incapable people to use the appliance without supervision.
- During and after use of the range, certain parts will become very hot. Do not touch hot parts.
- Keep children away from the range when it is in use.
- **Fire Risk!** Do not store flammable materials in the oven or in the bottom drawer.
- **Fire Risk!** Do not attempt to dry clothing or any other type of textile in the oven or in the bottom drawer.
- Make sure that electrical cables connecting other appliances in the proximity of the range cannot come into contact with the hob or become entrapped in the oven door.
- Do not line the oven walls with aluminum foil. Do not place shelves, pans, backing trays, broil tray or other cooking utensils on the base of the oven chamber.
- The manufacturer declines all liability for injury to persons or damage to property caused by incorrect or improper use of the range.
- To avoid any possible hazard, the appliance must be installed by qualified personnel only. Any repairs by unqualified persons may result in electric shock or short circuit. In order to avoid possible injuries to your body or to the range, do not attempt any repairs by yourself. Such work should be carried out by qualified service personnel only.
- **Burn Hazard!** The oven and cooking accessories may become very hot during operation. Make sure children are kept out of reach and warn them accordingly. To avoid burns use clothes and gloves when handling hot parts or utensils.
- Stand away from the range when operating oven door. Hot air or steam which escapes can cause burns to hands, face, and/or eyes.
- Never clean the oven with any high-pressure steam cleaning devices, as it may provoke a short circuit.
- Do not leave anything on the top of oven vent. Never cover the oven vent opening with aluminum foil or any other material.
- This range is intended for household use. Never use the appliance for any other purpose.
- If you should decide not to use the range any longer (or decide to substitute an older model), before disposing of it, it is recommended that it be made inoperative in an appropriate manner in accordance to health and environmental protection regulations, ensuring in particular that all potentially hazardous parts be made harmless, especially in relation to children who could play with old appliances. Remove the door before disposal to prevent entrapment.

➤ INSTALLATION OF ELECTRIC RANGE

- The electric range must be installed by a qualified technician. Make sure you have everything necessary for correct installation. It is the installer's responsibility to comply with installation clearances specified in the manual.
- Cabinet opening dimensions that are shown above must be used. Given dimensions are minimum clearances. The minimum spacings must be maintained between the appliance cooking surface and the horizontal surface above the cooking top.
- 30 inches is the minimum clearance between the top of the cooking surface and the bottom of an unprotected wood or metal cabinet
- To eliminate the risk of burns or fire by reaching over heated surface units, cabinet storage space located above the surface units should be avoided. If cabinet storage is to be provided, the risk can be reduced by installing a range hood that projects horizontally a minimum of 5 inches beyond the bottom of the cabinets.
- Place your electric range on a floor that is strong enough to support it when it is fully assembled as above picture. To level your electric range, adjust the leveling legs at the bottom of the unit.
- Avoid locating the unit in moist areas. As this may result in the risk of electrical shock.

➤ ELECTRICAL CONNECTION



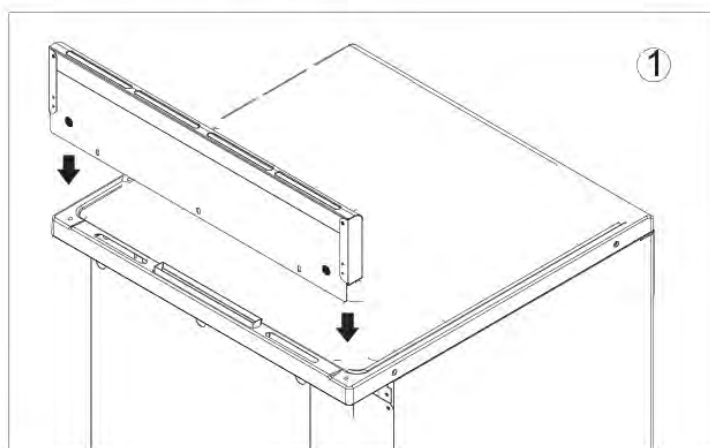
WARNING

Improper grounding can result in the risk of electrical shock. If the power cord is damaged, have it replaced by an authorized Avanti Products service center.

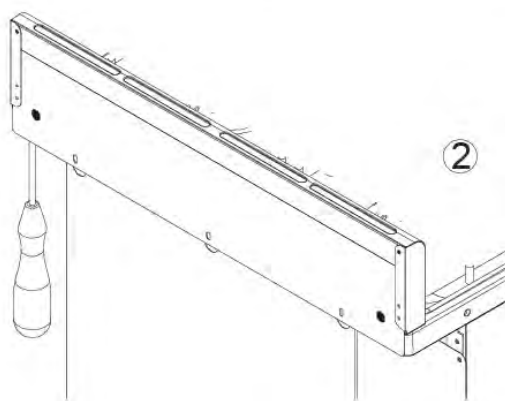
- The appliance must be properly installed and grounded by a qualified technician in accordance with the National Electrical Code ANSI/NFPA No. 70 (Latest Edition) and local electrical code requirements. Installation should be made by a licensed electrician.
- The range may be connected by means of permanent "Hard Wiring" or "Power Supply Cord Kit". Power supply cord is not supplied, but is available through your local electric supplyhouse.
- Use only 3-conductor or 4-conductor UL listed range cord rated at 40 amps with 125/250V minimum voltage range. These cords may be provided with strain relief or conduit connector.
- The range must be connected to the proper electrical voltage and frequency as specified on the rating label.
- The range can be connected directly to the fused disconnect (or circuit breaker box) through flexible, armored or non-metallic sheathed, copper cable (with grounding wire). Allow two to three feet of slack in the line so that it can be moved if servicing is ever necessary.
- **For personal safety, the range must be properly grounded.**
- Remove house fuse or open circuit breaker before beginning installation.
- Do not attempt to repair or replace any part of the appliance unless it is specifically recommended in this manual. All other servicing should be referred to a qualified technician.
- To minimize the possibility of electric shock, disconnect this appliance from the A/C power supply before attempting any maintenance.

NOTE: *Turning the appliance off does not disconnect the appliance from the power supply. We recommend having a qualified technician service your appliance.*

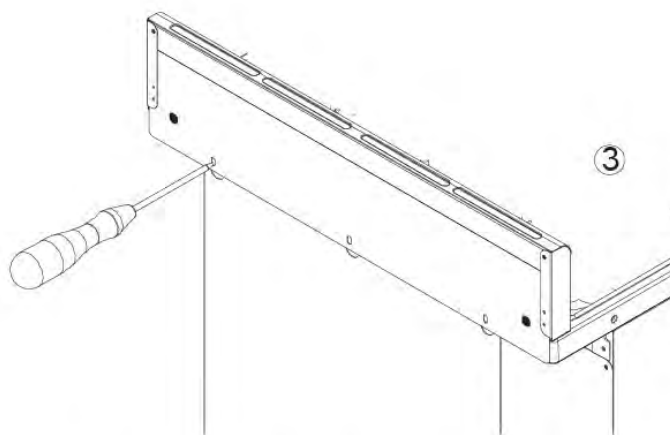
Installation of the Backsplash



Step 1.: Sit the backsplash on the rear part of the range.(see diagram above)



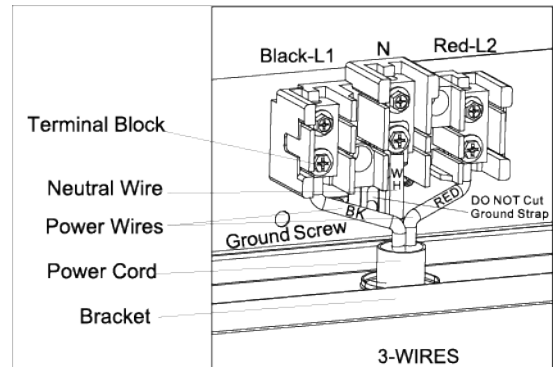
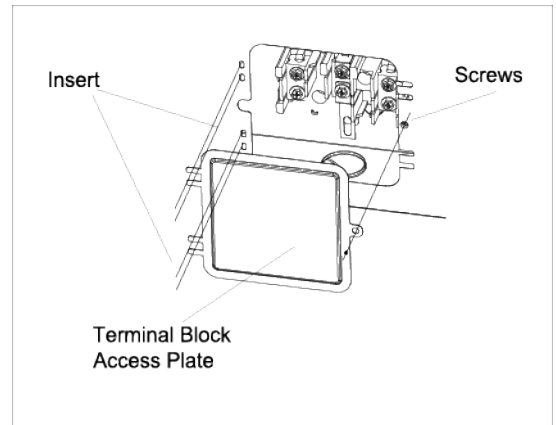
Step 2.: Secure the backsplash to the range from the bottom with the (2) two screws included.



Step 3.: Secure the backsplash to the range from the back using the (3) three screws included.
(See diagram above)

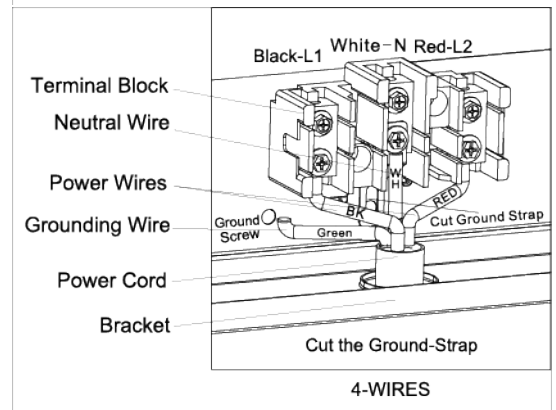
3-Wire Power Cord Installation

- Remove the Terminal Block Access Plate on the back of range by removing the 1 fixing screws.
- Assemble the strain relief in the hole on bracket.
- Insert the power cord through the strain relief and tighten.
- Allow enough slack to easily attach the cord terminals to the terminal block.
- Remove the 3 wire terminal nuts and washers from the terminal block.
- Plug the terminal holes of power cord. The neutral or ground wire of the power cord must be connected to the neutral terminal located in the center of terminal block. The power leads must be connected to L1 and L2.
- Plug washers and tighten nuts securely.
- Assemble the Terminal Block Access Plate.



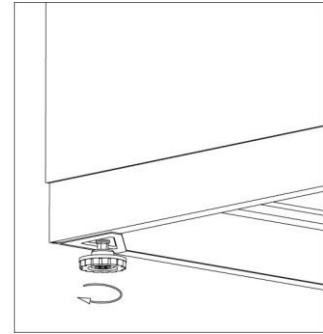
4-Wire Power Cord Installation

- Remove the Terminal Block Access Plate on the back of range by removing the 1 fixing screws.
- Assemble the strain relief in the hole on bracket.
- Insert the power cord through the strain relief and tighten.
- Allow enough slack to easily attach the cord terminals to the terminal block.
- Remove the 3 wire terminal nuts and washers from the terminal block.
- Remove the ground strap from the frame of range and terminal by removing its screw and cutting is as shown.
- Plug the terminal holes of power cord. The neutral wire of the power cord must be connected to the neutral terminal located in the center of terminal block. The ground wire of the power supply cord must be attached to the frame of range by using the green colored grounding screw. The power leads must be connected to L1 and L2.
- Plug washers and tighten nuts securely.
- Assemble the Terminal Block Access Plate.



➤ **LEVELING THE RANGE**

The range must be level to obtain proper operating. The four screws type leveling legs located on the corners at the bottom of range should be adjusted by turning them clockwise to make the range higher or counter-clockwise to lower the range until the range is level. Use a level on surface units to check the leveling of the range.

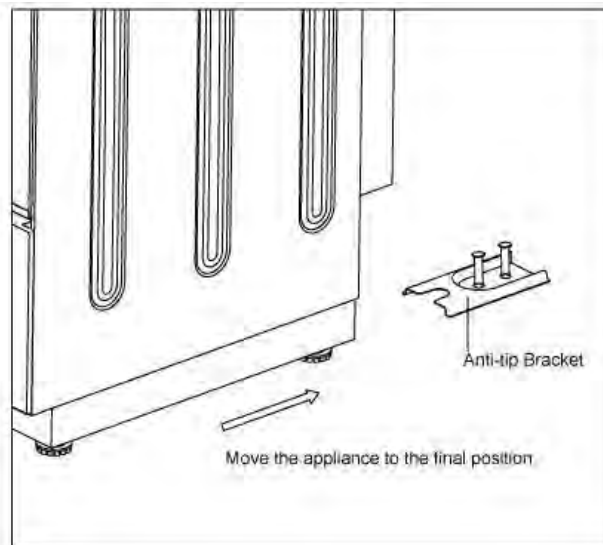
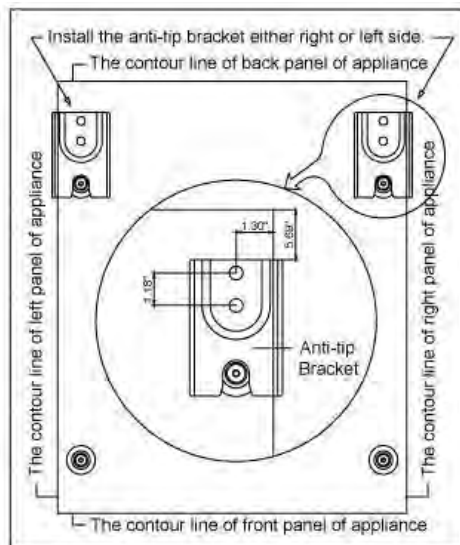


➤ **ANTI-TIP BRACKET INSALLATION**

To reduce the risk of tipping the range by abnormal usage or improper door loading, the range must be secured by properly installing the anti-tip device packed with the appliance.

- Place the anti-tip bracket on the floor as shown figure. Anti-tip bracket can be installed on either right or left side.
- Make the locations of 2 holes of ant-tip bracket on the floor.
- Use a 5/16" masonry drill bit and insert plastic anchor.
- Secure bracket to floor using screws supplied.
- Slide appliance into position.

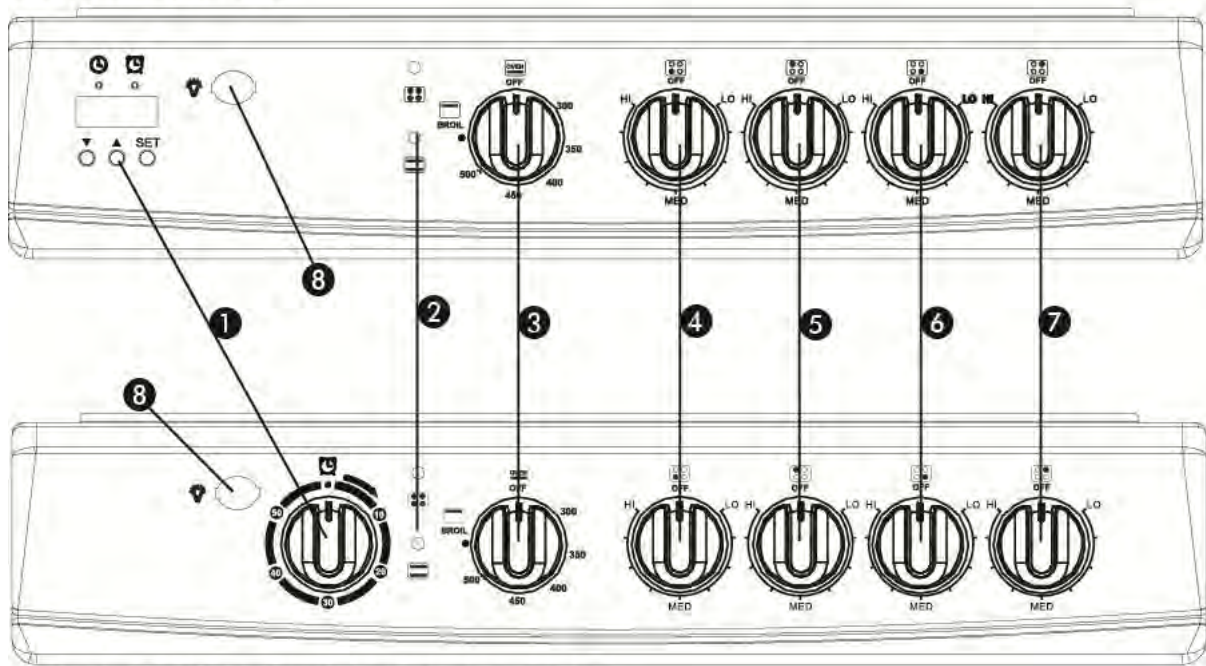
NOTE: If range is relocated, the bracket must be removed and installed in new location.



OPERATING YOUR RANGE

➤ CONTROL PANEL

MODEL: ER24P3SG



MODELS: ER20P0W / ER20P3SG / ER24P0WG / ER24P1B

- | | |
|--|------------------------------------|
| 1. Kitchen Timer (Digital or Mechanical Knob depending on your specific model.) Only available on 24" models. | 5. Rear Left Burner Control Knob |
| 2. Indicator Lights | 6. Front Right Burner Control Knob |
| 3. Oven Temperature Knob | 7. Rear Right Burner Control Knob |
| 4. Front Left Burner Control Knob | 8. Oven Light Switch |

OVEN THERMOSTAT CONTROL KNOB

Push and turn the knob clockwise to select the desired temperature up to 500° F. To switch off the oven turn the thermostat control to the **OFF** setting position.

BURNER CONTROL KNOB

The range comes with four burners. To operate the burners simply push in and turn the knob to the desired position. These controls go from low to high power output, having a number of positions. To switch off the Burner, turn the burner control knob to the **OFF** setting position.

KITCHEN TIMER SELECTOR KNOB

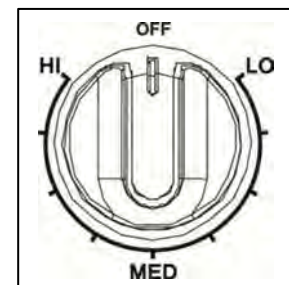
You can set a reminder time up to 60 minutes. At the end of the time selected you will hear the sound of a bell. To set times less than 30 minutes, turn the knob to the 30 minute mark and then turn to the desired time.

OPERATING INDICATOR LIGHTS

The OVEN and BURNERS indicating lights will come **ON** separately when oven and top burners are in use.

➤ USING THE SURFACE UNITS

Your range is equipped with four surface units with two different sizes. Three of them are 6" and one of them is 8" in size. The surface controls are easily operated. Simply push in and turn the knob to the desired position. When the element is energized, the indicator light will be lit regardless of the setting when one or more of the elements are turned on. The control has a variable of power output from LO to HI with a number of positions. The range of heat is increased by turning the knob to HI, decreased by turning the knob to LO.



The solid dot in the surface unit mark shows which surface unit is activated by that knob.

IMPORTANT: To switch on, always lightly press the control knob inwards then turn.

➤ COOKWARE TIPS

The physical characteristics of pots and pans influence the performance of any cooking systems. Therefore, emphasis must be placed on the importance of using proper cookware.

- Use cooking vessels with flat bottoms and tight fitting lids to conserve energy and shorten cooking times.
- Only certain types of glass, glass/ceramic, ceramic, earthenware or other glazed utensils are suitable for cooktop. Manufacturers suggest using low to medium heat selections when using glass cookware.
- Pan size should match the element size. A slightly larger pan covers the entire element and prevents spillovers from contacting the heat surface and burning in. Using a smaller pan than the element is a waste of energy.
- To avoid spattering and to maximize efficiency, pan bottoms should be clean and dry before coming in contact with the elements.
- Wipe spills off the elements with a damp cloth as soon as they cool to cut down on clean up time. Be sure the control is **OFF**.

If a surface unit stays red for a long time, the bottom of the pan is not flat enough or is too small for the surface unit. Prolonged usage of incorrect utensils could result in damage to the surface unit, cooktop, wiring and surrounding areas. To prevent damage use correct utensil, start cooking on position HI and turn control down to continue cooking.

Never leave an empty utensil, or one which has boiled dry, on a hot surface unit. The utensil could overheat and damage the utensils or surface unit.

Always be sure that all control knobs are turned to **OFF** and the indicator lights are **OFF** when you are not cooking.



WARNING

Make sure that the handles of cookware do not stick out over the edge of the range, to avoid them being knocked over by accident. This also makes it more difficult for children to reach the cooking pots/pans.

➤ USING THE OVEN

You can use your range for Bake and Broil. For that reason, the oven has two different heating elements which are:

- Bake element 2100W (Lower heating element)
- Broil element 2000W (Upper heating element)

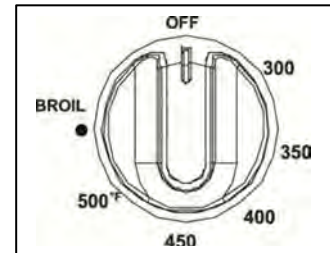
CAUTION: The oven door becomes very hot during operation. Keep children well out of reach.

WARNING: The door is hot, use the handle.

OVEN THERMOSTAT

Rotate clockwise until the required temperature is reached (From OFF to 500° F).

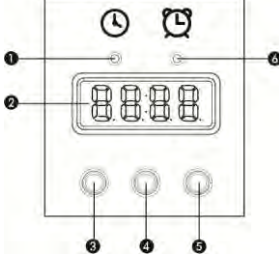
The power indicator light signals when the heat elements are switched **ON** or switched **OFF**.



Oven Light

The oven is equipped with a light that illuminates the oven to enable visually controlling the food that is cooking. By turning the switch on / off to light the oven cavity.

Digital Kitchen Timer

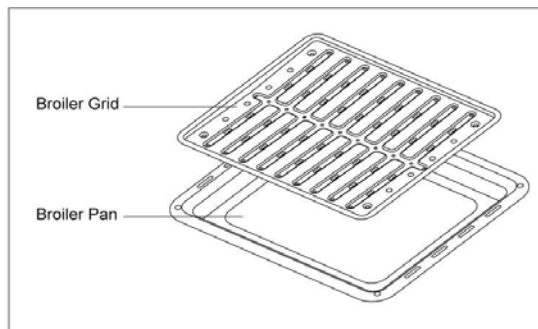
| | |
|--|---|
|  | <p>When you first plug in the range or power has returned after 10 hours you will see 12:00 in the display and hear an alarm tone.</p> |
| <p>1: Clock Time Indicator 2: Digital Display 3: Down Button 4: Up Button 5: Set/Quit Button 6: Cook Timer Indicator</p> | <p><u>Clock:</u> To set the clock, press and hold the SET button for once, clock indicator will light, when the hour position flash adjust the hour by pressing the up or down button, press SET when done repeat the steps for the minutes and press SET to enter Cook Timer setting or just confirm by waiting for 5 seconds.</p> <p><u>Cook Timer:</u> Press the SET button three times and the cook timer indicator will light. Press the up or down buttons to choose the except cook-time (1 – 99 minutes, default is 1 minute). After 5 seconds, the Setting will be confirmed and the countdown will begin. Once the selected time has elapsed, the indicator light will turn off and the alarm will sound 15 times or until a button is pressed.</p> |

Broil

In this setting only the upper element is switched **ON**. Heat is distributed by radiation.

In order to broil, use the following steps:

1. Place the meat on the broil grid in broiler pan.
Always use the grid so that the fat drips into the broiler pan, otherwise the juices may catch on fire. **Do not broil without using the broiler pan.**
2. Position the broiler pan on the second level from the top.
3. Turn the thermostat control knob to the BROIL temperature.
4. When broiling is completed, turn the function selector knob and thermostat control knob to the **OFF** position, open door fully and remove the food.



Always remember that when the oven is hot, outside surfaces of the range get hot.

IMPORTANT:

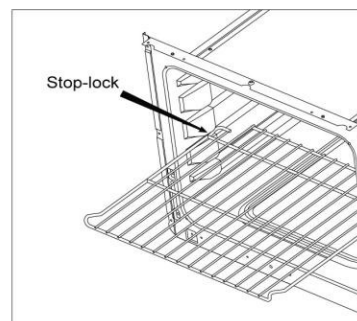
Always use suitable protective gloves when inserting/removing the broiler pan, shelves, pans and other cooking utensils from the oven.

OVEN RACK

The rack is designed with stop-locks so that when placed correctly on the rack supporters, they will stop before coming completely out from the oven, and will not tilt when removing food from or placing food on them.

When placing cookware on the rack, pull the rack out to the bump on the rack support. Place the cookware on the rack, then slide the rack back into the oven.

To remove the rack from the oven, pull it towards you, tilt the front end upward and pull it out.



CARE AND MAINTENANCE

➤ GENERAL INFORMATION

- **CAUTION: Before any operation of cleaning and maintenance disconnect the appliance from the electrical supply.**
- It is advisable to clean when the appliance is cold and especially for cleaning the enameled parts.
- Avoid leaving alkaline or acidic substances (lemon juice, vinegar, etc.) on the surfaces.
- Avoid using cleaning products with a chlorine or acidic base.
- The oven must always be cleaned after every use, using suitable products and keeping in mind that its operation for 30 minutes on the highest temperature eliminates most grime reducing it to ashes.

➤ CLEANING YOUR RANGE

- Disconnect the A/C from the main power box or designated circuit breaker, turn off the range, make sure all surface units are off and cool before removing anything, then remove all items including shelves and rack.
- Wash the inside surfaces with a warm water and baking soda solution. The solution should be about 2 tablespoons of baking soda to a quart of water.
- Wash the shelves and rack with a mild detergent solution.
- The outside of the range should be cleaned with mild detergent and warm water.
- Wring excess water out of the sponge or cloth when cleaning area of the controls, or any electrical parts.
- Wash the outside cabinet with warm water and mild liquid detergent. Rinse well and wipe dry with a clean soft cloth.
- Do not use steel wool or steel brush on the cook-top.

➤ CLEANING SURFACE UNITS AND REFLECTOR BOWLS

- Disconnect the A/C from the main power box or designated circuit breaker and turn off the range to make sure that burners are off and cool before removing burners and reflector bowls.

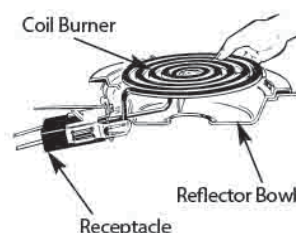
- Removing the burners and reflector bowls as following:

- Lift the edge of the unit opposite from the receptacle, just enough to clear the reflector bowl.
- Pull the surface unit gently out of the mounting receptacle.
- After the unit has been removed, the reflector bowl can be lifted out of their mounting.

- Clean the burners and reflector bowls with mild detergent and warm water. Wring excess water out of the sponge or cloth when cleaning them.

- Replace the burners and reflector bowls as following:

- Line up the opening of the reflector bowls with the burners receptacle, hold the surface unit as level as possible with the terminal just positioned into the receptacle, then push the surface units' terminal into the receptacle.
- When the terminal is pushed into the receptacles as far as it will go, push down the edge of the surface unit opposite the receptacle.



To remove the surface unit, lift it about 1 inch above the reflector bowl and pull it out.



Replace the reflector bowl into the recess in the cooktop.

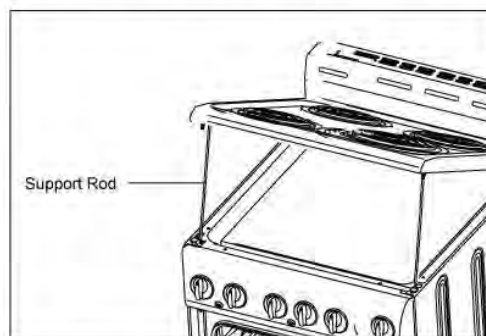
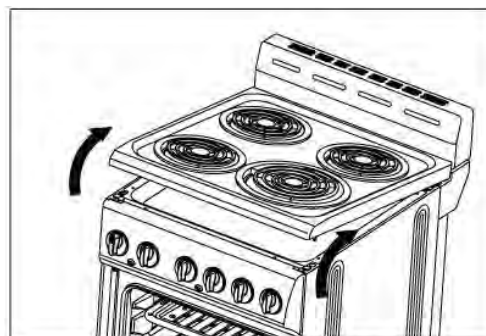
NOTE: Do not immerse burners in water or any other liquids.

➤ **LIFT-UP COOKTOP**

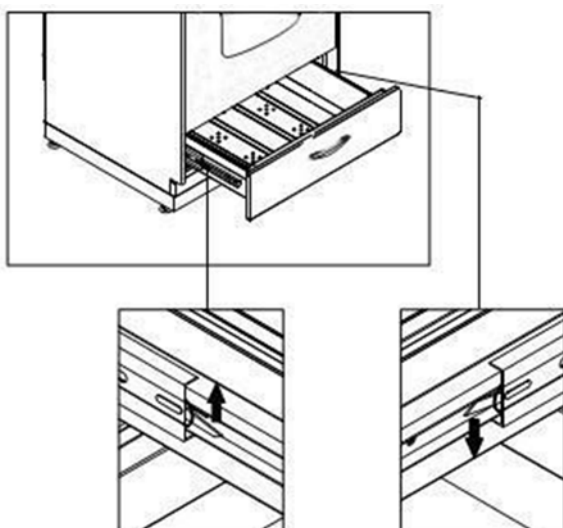
You can access the area beneath of the cooktop for cleaning purposes by lifting up the cooktop. In order to do:

- Hold the cooktop from front left and right corners of cooktop and pull it up.
- After lifting up the cooktop high enough, set the support rod into place as shown.
- Leave the cooktop on the tip of support rod.
- Wipe with warm soapy water. Use a soapy steel-wool pad on heavily soiled areas.
- To lower the cooktop, lift the cooktop holding from the front edge. Replace the support rod to its previous place. Lower the cooktop in its place. During replacement of the cooktop, be sure that the front edge of cooktop covers the upper edge of control panel.

NOTE: Do not drop the cooktop. Personal injury or damage to the cooktop frame could result.



➤ **REMOVABLE STORAGE DRAWER**



① Lift the left small hook upward, at the same time, push the right small hook downward. (See the picture)

② Pull the drawer out.

③ To replace the drawer, align the drawer with the rails and push inward.

Do not store flammable material in the oven or in the bottom drawer.

➤ **REPLACING THE OVEN LIGHT**

Before any maintenance is started involving electrical parts of the appliance, it must be disconnected from the power supply.

- Let the oven cavity and broil burner cool down.
- Switch off the electric supply.
- Remove the protective cover.
- Unscrew and replace the bulb with a new one suitable for high temperature (300°C ~ 570°C) having the same specifications: 240V 60Hz, 15W, E14.
- Replace the protective cover.

NOTE: Oven bulb replacement is not covered by your guarantee.

PROBLEMS WITH YOUR ELECTRIC RANGE?

You can solve many common appliance problems easily, saving you the cost of a possible service call. Try the suggestions below to see if you can solve the problem before calling the servicer.

TROUBLESHOOTING GUIDE

| PROBLEM | POSSIBLE CAUSE |
|--|--|
| Surface units will not maintain a rolling boil or frying rate is not fast enough | <ul style="list-style-type: none"> • You must use pans that are absolutely flat. • Pan bottoms should closely match the diameter of the surface unit selected. |
| Foods cook slowly | <ul style="list-style-type: none"> • Improper cookware being used. |
| Surface units do not operate | <ul style="list-style-type: none"> • You have blown a household fuse or tripped a circuit breaker. • The surface units are not plugged in all the way. • You have not set the control knobs correctly. |
| Control knobs will not turn | <ul style="list-style-type: none"> • If it is a surface unit control knob, you are not pushing in before turning. • If it is oven control knob, you are trying to turn the knob to wrong direction. |
| Oven light does not work | <ul style="list-style-type: none"> • Light bulb is loose or defective. • Switch operating oven light is broken. |
| Oven does not work | <ul style="list-style-type: none"> • You have blown a household fuse or tripped a circuit breaker. • You have not set the control knobs correctly. |
| Food does not broil properly | <ul style="list-style-type: none"> • The oven control knob is not set at Broil. • Improper rack position being used. • Cookware is not suited for broiling. • Oven thermostat is defective. |
| Food does not bake properly | <ul style="list-style-type: none"> • The oven control knob is not set properly. • Rack position is incorrect. • Incorrect cookware or cookware of improper size is being used. • Oven thermostat is defective. |

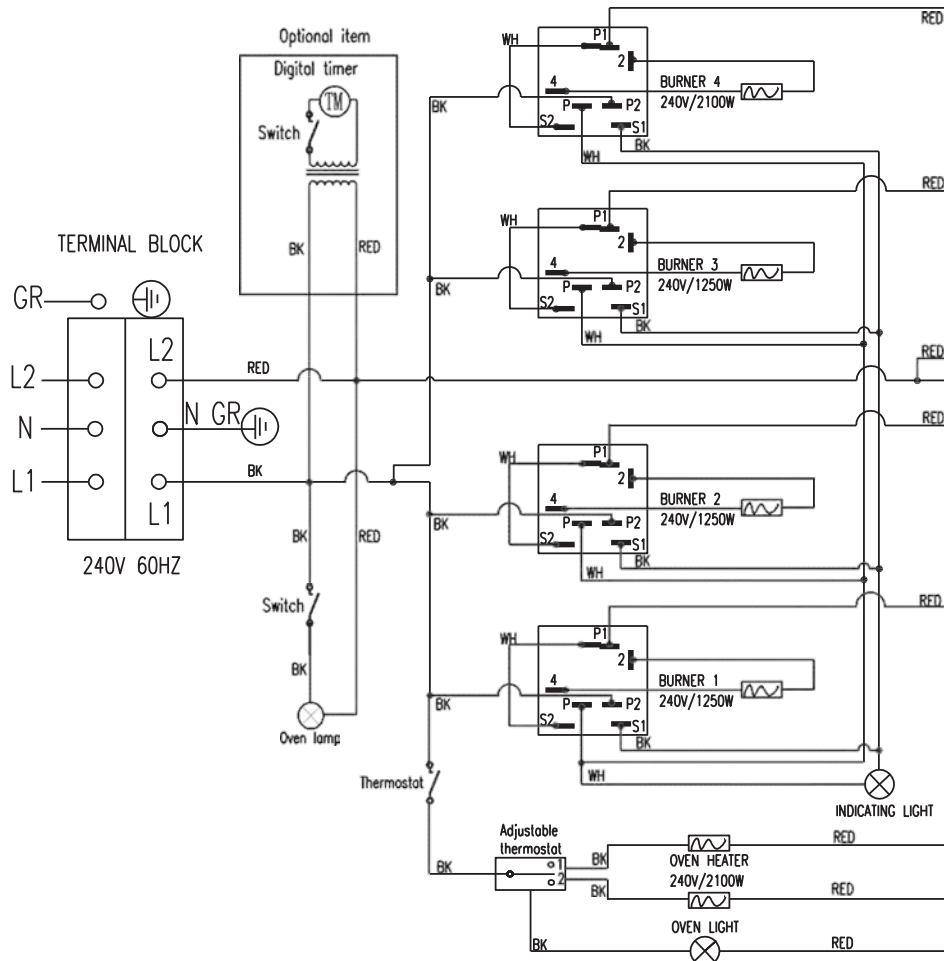
SERVICE FOR YOUR APPLIANCE

We are proud of our customer service organization and the network of professional service technicians that provide service on your Avanti appliances. With the purchase of your Avanti appliance, you can have the confidence that if you ever need additional information or assistance, the Avanti Products Customer Service team will be here for you. Just call us toll-free.

AVANTI PRODUCTS CUSTOMER SERVICES

| | |
|--|--|
| Product Information 800-323-5029 | Whatever your questions are about our products, help is available. |
| Part Orders 800-220- 5570 | You may order parts and accessories that will be delivered directly to your home by personal check, money order, Master Card, or Visa. |
| In-Home Repair Service 800-220-5570 | An Avanti Products authorized service center will provide expert repair service, scheduled at a time that is convenient for you. Our trained servicers know your appliance inside and out. |

WIRING DIAGRAM



| | |
|---|--|
| YOUR AVANTI PRODUCTS WARRANTY | Staple your sales receipt here. Proof of original purchase date is needed to obtain service under warranty. |
| <p><u>WHAT IS COVERED – LIMITED ONE-YEAR WARRANTY</u> Avanti Products warrants that the product is free from defects in materials and/or workmanship for a period of twelve (12) months from the date of purchase by the original owner. The foregoing timeline begins to run upon the date of purchase, and shall not be stalled, tolled, extended, or suspended for any reason whatsoever unless described in detail in the warranty document. For one year from the date of purchase by the original owner, Avanti products will, at its option, repair or replace any part of the product which proves to be defective in material or workmanship under normal use. Avanti Products will provide you with a reasonably similar product that is either new or factory refurbished. During this period Avanti Products will provide all parts and labor necessary to correct such defects free of charge, so long as the product has been installed and operated in accordance with the written instructions in this manual. In rental or commercial use, the warranty period is 90 days. All Avanti appliances of 3.5 cubic feet capacity or less must be brought/sent to the appliance service center for repair.</p> | |
| <p><u>FULL 30 – DAY WARRANTY</u> From the date of purchase on glass parts and finish of porcelain enamel, painted, or bright metal finished parts.</p> | |
| <p><u>WARRANTY EXCLUSIONS / WHAT IS NOT COVERED:</u> The warranty coverage described herein excludes all defects or damage that are not the direct fault of Avanti Products, including without limitation, one or more of the following:</p> | |
| <ul style="list-style-type: none"> ● A failure to comply with any applicable state, local, city, or county electrical, plumbing and/or building codes, regulations, or laws, including failure to install the product in strict conformity with local fire and building codes and regulations. ● Any external, elemental and/or environmental forces and factors, including without limitation, rain, wind, sand, floods, fires, mud slides, freezing temperatures, excessive moisture or extended exposure to humidity, lightning, power surges, structural failures surrounding the appliance, and acts of God. | |
| <ul style="list-style-type: none"> ● Content losses of food or other content due to spoilage. ● Incidental or consequential damages ● Parts and labor costs for the following will not be considered as warranty: <ul style="list-style-type: none"> ● Door springs, and/or frames. ● Inner door panels, door shelves, door rails, and/or door supports. ● Light bulbs and/or plastic housing. | <ul style="list-style-type: none"> ● Shipping and handling costs associated with the replacement of the unit. ● Repairs performed by unauthorized servicers. ● Service calls that are related to external problems, such as abuse, misuse, inadequate electrical power, accidents, fire, floods, or any other acts of God. ● Failure of the product if it is used for other than its intended purpose. ● The warranty does not apply outside the Continental USA. ● Surcharges including but not limited to, any after hour, weekend, or holiday service calls, tolls, ferry trip charges, or mileage expense for service calls to remote areas. |
| <p>In no event shall Avanti Products have any liability or responsibility whatsoever for damage to surrounding property, including cabinetry, floors, ceilings, and other structures and/or objects around the product. Also excluded from this warranty are scratches, nicks, minor dents, and other cosmetic damages on external surfaces and exposed parts; Products on which the serial numbers have been altered, defaced or removed; service visits for customer education, or visits where there is nothing wrong with the product; correction of installation problems (you are solely responsible for any structure and setting for the product, including all electrical, plumbing and/or other connecting facilities, for proper foundation/flooring, and for any alterations including without limitation cabinetry, walls, floors, shelving etc., as well as the resetting of breakers or fuses.</p> | |
| <p><u>OUT OF WARRANTY PRODUCT</u> Avanti Products is under no obligation, at law or otherwise, to provide you with any concessions, including <u>repairs, pro-rates, or product replacement, once this warranty has expired.</u></p> | |

WARRANTY – RANGES / TOASTER OVENS

INSTRUCCIONES EN ESPAÑOL

Antes de usar su artefacto, debe posicionarlo correctamente e instalarlo tal como se describe en este manual, así que lea el manual cuidadosamente. Para reducir el riesgo de incendio, choque eléctrico o daño cuando use la cocina, siga las precauciones básicas, incluyendo las siguientes:

DANGER

- Se recomienda usar un circuito separado, que sirva solamente para esta cocina. Use receptáculos que no se puedan apagar con un interruptor o cadena.
- Nunca limpie la cocina o sus partes con líquidos inflamables. Los vapores de estos podrían ocasionar un incendio o explosión. No almacene o use gasolina u otros líquidos o gases inflamables cerca a éste u otro artefacto eléctrico. Los vapores podrían ocasionar un incendio o explosión.
- Asegúrese que el enchufe del artefacto este desconectado de la electricidad antes de empezar a limpiarlo o repararlo.
- Si no desconecta el artefacto de la electricidad, podría ocasionar un choque eléctrico o muerte.
- No intente reparar o reemplazar ninguna parte de su artefacto a no ser que esté específicamente recomendado en este manual. Cualquier otro mantenimiento debe ser realizado por un técnico calificado.

WARNING

- Este artefacto no se debe usar como calentador de ambiente. La superficie de la unidad se deber operar solamente cuando tenga recipientes sobre ella. Esta información está basada en consideraciones de seguridad.
- Todas las aperturas en la pared detrás de este artefacto y en el piso debajo, deben estar selladas.
- Mantenga el área de este artefacto despejada y libre de materiales combustibles, gasolina, y otros vapores o líquidos inflamables.
- No obstruya el flujo de ventilación del aire.
- Desconecte el suministro eléctrico del artefacto antes de darle mantenimiento.
- Cuando mueva el artefacto para limpiarlo o darle mantenimiento:
 - Desconecte el suministro de electricidad.
 - Hale la cocina hacia Ud. cuidadosamente.
PRECAUCION: La cocina es muy pesada. Sea cuidadoso cuando la manipule.
- El uso descuidado de la puerta del horno (ej. Pararse, sentarse o apoyarse contra él) puede ocasionar peligros potenciales y/o daños.
- Use una carretilla para movilizar la cocina cuando la instale o retire. No empuje los lados o esquinas de la cocina para instalarla o empujarla en el sitio de instalación. Empujarla o jalarla (en lugar de usar una carretilla) también aumenta la posibilidad de doblar las patas o los conectores internos.
- Es importante que la cocina esté nivelada para que funcione apropiadamente. Tal vez sea necesario hacer unos cuantos ajustes para poder nivelarla.
- Nunca permita que los niños operen, jueguen o gateen dentro de la cocina.
- Instrucciones para electricidad a tierra – El artefacto debe ser instalado y conectado a tierra por un técnico calificado, de acuerdo con los Códigos Eléctricos Nacionales ANSI/NFPA No. 70 (última edición) y los códigos eléctricos locales establecidos.
- Partes de reemplazo – Solo use partes de reemplazo autorizadas cuando de mantenimiento a esta cocina. Las partes de reemplazo autorizadas se pueden

conseguir en los distribuidores de partes autorizados. Contacte el centro de servicio de Avanti más cercano.

EL SOPORTE PARA EVITAR QUE LA COCINA SE VOLTEE

La cocina no se inclinará durante el uso normal. Sin embargo, la cocina se podría inclinar si aplica mucha fuerza o peso para abrir la puerta, si es que el soporte para evitar que la cocina se voltee no esté ajustado correctamente.

Para reducir el riesgo de que la cocina se voltee, el soporte para evitar que la cocina se voltee deberá estar correctamente instalado.

ADVERTENCIA

- TODAS LAS COCINAS SE PUEDEN VOLTEAR
- PERSONAS PODRIAN RESULTAR HERIDAS
- INSTALE EL SOPORTE (VIENE INCLUIDO) PARA EVITAR QUE LA COCINA SE VOLTEE.
- LEA LAS INSTRUCCIONES DE INSTALACION

Asegúrese que el soporte para evitar que la cocina se voltee esté instalado:

- Hale la cocina hacia adelante.
- Verifique que el soporte para evitar que la cocina se voltee esté instalado en la parte del piso.
- Empuje la cocina hacia atrás para que las patas posteriores queden sobre el soporte para evitar que la cocina se voltee.

CONEXIÓN ELECTRICA

ADVERTENCIA

Conexión a tierra incorrecta puede ocasionar el riesgo de choque eléctrico. Si el cordón eléctrico se encuentra dañado, haga que un Centro de Servicio autorizado por Avanti Products lo reemplace.

- El electrodoméstico debe ser propiamente instalado y conectado a tierra por un técnico calificado, de acuerdo a los Códigos Nacionales Eléctricos ANSI/NFPA No.70 (última edición) y los códigos eléctricos locales requeridos. La instalación debe ser hecha por un electricista licenciado.
- La cocina debe ser conectada de forma permanente con Cables Fijos o un Juego de Cables de Suministro Eléctrico. El cable de suministro eléctrico no se incluye, pero está disponible a través de las casas de suministro eléctrico locales.
- Use solamente cables de 3-conductores o 4-conductores, aprobados por UL, de ratio de 40amps con 125/250V mínimos de rango de voltaje. Estos cables pueden ser provistos con un interruptor o con un conector de conducto.
- La cocina debe estar conectada al voltaje eléctrico correcto y a la frecuencia especificada en la etiqueta de especificaciones.
- La cocina puede ser conectada directamente a la caja de fusibles usando un cable de cobre (con cable a tierra) que sea flexible, blindado o enfundado sin metal. Permita 2 o 3 pies de distancia en la línea para que se pueda mover si alguna vez necesita servicio.
- Para seguridad personal, la cocina debe estar correctamente conectada a tierra.
- Remueva el fusible o apague el interruptor antes de empezar la instalación.

- No intente reparar o reemplazar cualquier pieza o parte de la cocina a no ser que sea recomendado específicamente en este manual. Cualquier otro tipo de servicio o mantenimiento debe ser referido a un técnico calificado.
- Para minimizar la posibilidad de choque eléctrico, desconecte la cocina del suministro eléctrico A/C, antes de empezar el mantenimiento.

NOTA:

Apagar la cocina no la desconecta del suministro eléctrico. Recomendamos que llame un técnico calificado para dar mantenimiento a su cocina.

INSTALACION DEL CORDON DE 3 ALAMBRES

- Retire la placa de acceso del bloque terminal que se encuentra en la parte de atrás de la cocina, removiendo los 2 tornillos.
- Ensamble el interruptor en el agujero del soporte.
- Inserte el cordón eléctrico al interruptor y ajuste.
- Deje suficiente espacio para conectar las terminales de cordón al bloque terminal fácilmente.
- Retire las 3 arandelas y tuercas de alambre del bloque terminal.
- Coloque el cordón por los agujeros del terminal. El cable a tierra o neutral del cordón eléctrico debe estar a la terminal neutral, que se encuentra en el centro del bloque terminal. Las puntas deben ser conectadas a los terminales exteriores.
- Coloque las arandelas y tuercas y ajústelas.
- Ensamble la placa de acceso del bloque Terminal.

INSTALACION DEL CORDON DE 4 ALAMBRES

- Retire la placa de acceso del bloque terminal que se encuentra en la parte de atrás de la cocina, removiendo los 2 tornillos.
- Ensamble el interruptor en el agujero del soporte.
- Inserte el cordón eléctrico al interruptor y ajuste.
- Deje suficiente espacio para conectar fácilmente las terminales de cordón al bloque terminal.
- Retire las 3 arandelas y tuercas de alambre del bloque terminal.
- Retire el sostén del marco de la cocina y la terminal, removiendo el tornillo y cortando como se indica en la página 14.
- Coloque el cordón por los agujeros del terminal. El cable a tierra o neutral del cordón eléctrico debe estar a la terminal neutral, que se encuentra en el centro del bloque terminal. Las puntas deben ser conectadas a los terminales exteriores.
- Coloque las arandelas y tuercas y ajústelas.
- Ensamble la placa de acceso del bloque terminal.

NIVELANDO LA COCINA

La cocina debe estar nivelada para que opere óptimamente. Las cuatro patas niveladoras tienen tornillos para nivelar y se encuentran en las esquinas inferiores de la cocina. Gírelas en el sentido horario para subir la cocina o en sentido anti-horario para bajar la cocina hasta que esté nivelada. Use un nivel en la superficie para verificar que la cocina esté nivelada.

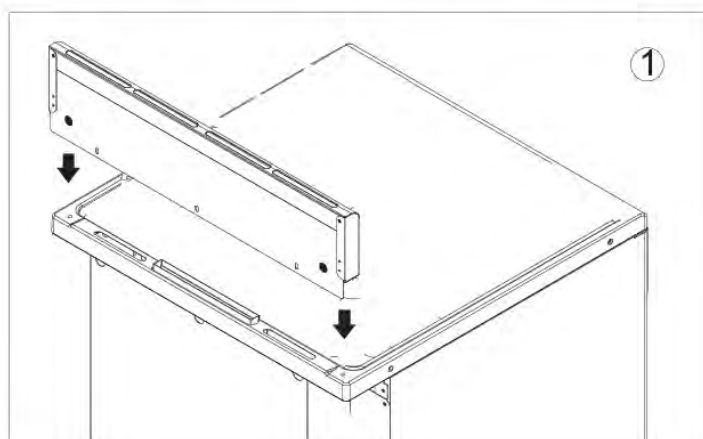
INSTALACION DEL SOPORTE PARA EVITAR QUE LA COCINE SE VOLTEE

Para reducir el riesgo que la cocina se voltee o voltee debido al uso inapropiado o al poner demasiado peso sobre la puerta del horno, la cocina debe estar asegurada e instalada correctamente con el soporte para evitar que la cocina se voltee, el cual viene incluido con la cocina.

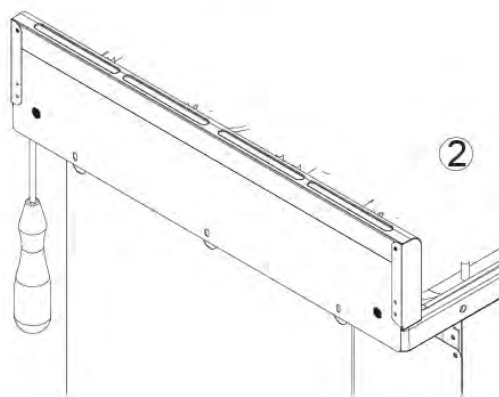
- Coloque el soporte para evitar que la cocina se voltee en el piso, tal como se muestra en la página 18. El soporte puede ser instalado tanto en el lado derecho como en el izquierdo.
- Marque en el piso, el lugar donde coincidirán los dos agujeros del soporte.
- Use un taladro de 5/16" e inserte un ancla de plástico.
- Asegure el soporte al piso usando los tornillos incluidos.
- Coloque la cocina en su sitio.

NOTA: si la cocina se cambia de ubicación, el soporte deberá ser removido e instalado en el nuevo lugar.

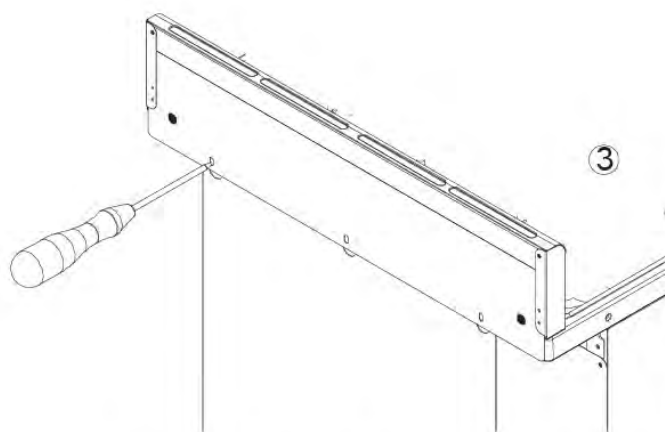
INSTALACION DEL PANEL ANTI-SALPICADURAS



Paso 1.: Alinee el panel con la parte trasera de la cocina (ver imagen arriba)



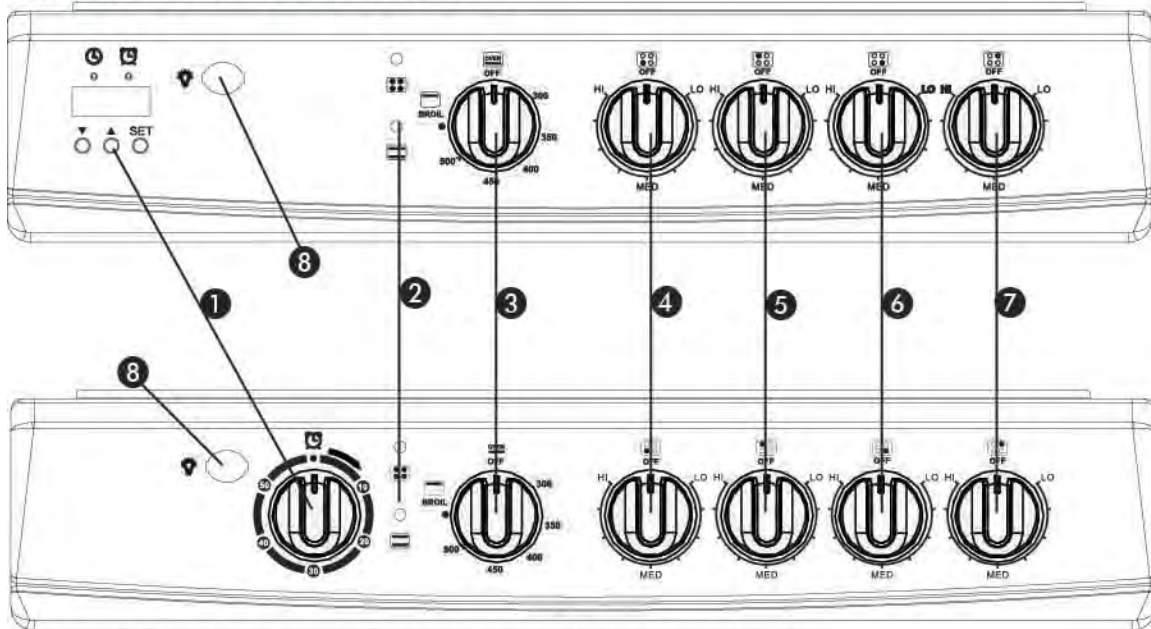
Paso 2.: Utilizando los (2) dos tornillos incluidos, fija el panel a la cocina desde la parte inferior. (ver imagen arriba)



Paso 3.: Utilizando los (3) tres tornillos incluidos, fija el panel a la parte trasera de la cocina. (ver imagen arriba).

OPERANDO SU COCINA

MODELO: ER24P3SG - SOLAMENTE



MODELOS: ER20P0W / ER20P3SG / ER24P0WG / ER24P1B

- | | |
|--|--|
| <ul style="list-style-type: none"> 1. Reloj de cocina (Digital o mecánico – depende de su modelo respectivo) Solo disponible en los modelos de 24" de ancho 2. Luces indicadoras 3. Perilla de control del horno 4. Perilla de control del quemador – Frente - Izquierda | <ul style="list-style-type: none"> 5. Perilla de control del quemador – Trasero - Izquierda 6. Perilla de control del quemador – Frente - Derecha 7. Perilla de control del quemador – Trasero - Derecha 8. Control de luz del horno |
|--|--|

Reloj / Contador de tiempo digital

| | |
|---|---|
| | <p>La primera vez que enchufe la cocina o cuando regrese la electricidad después de un apagón, verá que la pantalla electrónica mostrará 12:00 y oirá una alarma.</p> <p>Reloj: Para programar el reloj, apriete el botón SET por 3 segundos, la pantalla mostrará 12:00. Cuando la posición de Hora destelle, ajuste la hora presionando los botones de arriba / abajo. Cuando llegue a la hora correcta presione SET. Repite los mismos pasos para los minutos. Presione SET o espere 5 segundos.</p> <p>Contador de tiempo para cocinar: Presione el botón SET tres (3) veces, la luz indicadora alumbrará. Presione los botones de arriba / abajo para ajustar el tiempo de cocinar seleccionado (1 – 99 minutos, el default es de 1 minuto) Después de 5 segundos, el conteo regresivo empezará. Una vez que el tiempo seleccionado haya terminado, la luz indicadora se apagará y la alarma sonará 15 veces o hasta que presione algún botón.</p> |
| <ul style="list-style-type: none"> 1: Luz indicadora – Reloj 2: Pantalla electrónica 3: Botón - Abajo 4: Botón - Arriba 5: Botón - Programar 6: Luz indicadora – Contador de tiempo | |

- Perilla de temperatura del horno
Gire la perilla en sentido horario para seleccionar la temperatura deseada hasta un máximo de 500°F. Para apagar el horno, gire el control de temperatura a la posición OFF.
- Perilla de control de las hornillas
La cocina cuenta con cuatro hornillas. Para operar las hornillas simplemente presione y gire la perilla a la posición deseada. Estos controles van desde baja a alta temperatura, teniendo una serie de posiciones numéricas. Para apagar la hornilla, gire la perilla de control a la posición OFF.
- Luces indicadoras
La luz del horno o la de las hornillas se encenderán independientemente cuando el horno o las hornillas respectivamente se enciendan.

USANDO LAS HORNILLAS

Su cocina está equipada con cuatro hornillas de dos tamaños diferentes. Tres de ellas tienen 6" pulgadas y una de ellas tiene 8" pulgadas de tamaño. Los controles de estas hornillas son fácilmente operables. Simplemente presione y gire la perilla a la posición deseada. Cuando la hornilla reciba energía, la luz indicadora TOP se encenderá, no importa la temperatura que haya elegido o cuantas hornillas haya encendido a la vez. El control tiene un rango variable que va desde LO (baja temperatura) a HI (alta temperatura) con una serie de posiciones numéricas entre la alta y la baja. El nivel de temperatura se incrementa al girar la perilla hacia la temperatura HI y se baja al girar la perilla hacia la temperatura LO.

El punto sólido en la superficie de la cocina indica cuál de las hornillas está siendo activada por cada perilla.

IMPORTANTE:

Para encender, siempre presione ligeramente la perilla de control y luego gírela.

CONSEJOS PARA USAR LA COCINA

Las características físicas de las ollas y sartenes influyen en el desempeño de cualquier cocina. Por tanto, debe enfatizar la importancia de usar el equipo de cocina apropiado.

- Use equipo de cocina con fondos planos y tapas que ajusten bien, para conservar energía y acortar los tiempos de cocción.
- Solamente ciertos tipos de ollas de vidrio, vidrio/cerámica, cerámica, arcilla u otros esmaltados son recomendables para uso en esta cocina. Los fabricantes recomiendan que se usen temperaturas bajas a medianas cuando use ollas de vidrio.
- El tamaño de la olla debe ser adecuado para el tamaño de la hornilla. Una olla ligeramente más grande que la hornilla cubre todo el calentador y previene derrames y salpicaduras que podrían llegar a la hornilla y quemarse. Usar una olla más pequeña que la hornilla es un desperdicio de energía.
- Para evitar salpicaduras y maximizar la eficiencia, los fondos de las ollas deberán estar limpios y secos antes de calentar las hornillas.

- Limpie las salpicaduras en las hornillas con un trapo húmedo tan pronto como se hayan enfriado, para acortar el tiempo de limpieza. Asegúrese que las perillas de control estén en la posición OFF.
- Si una hornilla permanece roja por mucho tiempo, probablemente el fondo de la olla no sea lo suficientemente plano o sea muy pequeño para la hornilla. El uso prolongado de los utensilios incorrectos podría resultar en daño a la hornilla, la cocina, los cables y alambres, y las áreas que los rodean. Para prevenir el daño use el utensilio correcto, empiece la cocción en la posición HI y luego baje la temperatura para seguir cocinando.
- Nunca deje en las hornillas calientes una olla vacía o una que se le evaporó el contenido.
La olla podría sobrecalentarse y dañarse o dañar la hornilla y la cocina.
- Asegúrese de siempre dejar las perillas de control en la posición OFF y que las luces indicadoras estén apagadas cuando no esté cocinando.

ADVERTENCIA

Asegúrese que las manijas de las ollas no sobresalgan del borde de la cocina, para evitar voltearlas por accidente. Esto también dificultará que los niños alcancen las ollas y/o sartenes.

USANDO EL HORNO

Puede usar el horno para BAKE (hornear) y BROIL (asar). Por ese motivo, el horno tiene dos calentadores diferentes, los cuales son:

- Calentador de BAKE 2100 W (calentador inferior)
- Calentador de BROIL 2000 W (calentador superior)

PRECAUCION:

La puerta del horno se calienta mucho durante la operación. Mantenga a los niños lejos del alcance de la puerta.

ADVERTENCIA:

La puerta está caliente, use la manija para abrirla o cerrarla.

TERMOSTATO DEL HORNO

Esta perilla sólo controla la temperatura de cocción y no enciende el horno. Gírela en sentido horario hasta alcanzar la temperatura deseada (desde 300°F hasta 500°F). La luz indicadora de encendido se enciende cuando el calentador está funcionando.

Luz del Horno

El horno está equipado con una luz que ilumina el horno para que pueda controlar visualmente los alimentos que está preparando.

Al mover la perilla a la posición indicada, la luz del horno se encenderá.

La luz del horno se mantiene encendida mientras cualquiera de las funciones esté en ON.

Usando su horno

El control de temperatura puede ir desde 300°F hasta 500°F. Mientras esté en uso, la luz indicadora está encendida. La luz indicadora se mantendrá encendida mientras que el horno está en operación.

Para hornear, siga los siguientes pasos:

1. Coloque la rejilla en la posición correcta antes de encender el horno.
2. Gire la perilla de control a la posición BAKE
3. Gire la perilla de control de temperatura a la deseada
4. El calentador se encenderá y apagará continuamente para mantener la temperatura deseada. Verifique si los alimentos están listos al tiempo que indique la receta. Cocine un poco más si es necesario.
5. Cuando termine de hornear, gire la perilla de función y la perilla de temperatura a la posición OFF, abra la puerta completamente y luego retire los alimentos.

Para obtener mejores resultados, recuerde siempre que el aire caliente debe circular alrededor de los recipientes que estén dentro del horno para que el aire caliente sea uniforme y alcance todas las partes del horno. Por tanto, coloque los recipientes en el centro del horno y deje por lo menos 2" pulgadas de espacio entre los recipientes y el horno.

Broil (asar)

En esta función, solamente el calentador de arriba se encenderá. El calor redistribuye por radiación. Asegúrese que la puerta del horno esté cerrada.

Para asar, siga los siguientes pasos:

Coloque la carne en la rejilla de asar y está en la bandeja. Siempre use la rejilla para que la grasa caiga en la bandeja, de otra forma los jugos podrían encenderse. No ase sin usar la bandeja.

1. Coloque la bandeja en el segundo nivel contando desde arriba).
2. Gire el control de función a la posición BROIL.
3. El calentador se encenderá y apagará continuamente para mantener la temperatura deseada. Para mejores resultados, el horno deberá ser precalentado por 5 minutos antes de colocar la comida que será asada. Déle vuelta a la comida cuando llegue a la mitad del tiempo de cocción. Asegúrese que la puerta del horno esté cerrada.
4. Cuando termine de asar, gire la perilla de temperatura a la posición OFF, abra la puerta completamente y luego retire los alimentos.

Recuerde que cuando el horno esté caliente, las superficies externas también estarán calientes.

IMPORTANTE

Siempre use guantes de cocina protectores cuando coloque o retire la bandeja de asar, las rejillas, recipientes u otros utensilios de cocina fuera del horno.

REJILLA DEL HORNO

La rejilla está diseñada con un dispositivo que permite que, cuando colocada correctamente, la rejilla parará antes de ser sacada completamente del riel del horno y no se volteará cuando saque los alimentos del horno, o los coloque.

Cuando coloque recipientes en la rejilla, hálala hasta el tope en el riel. Coloque el recipiente en la rejilla y luego empuje la rejilla dentro del horno. Para sacar la rejilla del horno, hálala hacia Ud., levante el frente y hálalo.

CUIDADO Y MANTENIMIENTO

INFORMACION GENERAL

- **PRECAUCION:** antes de empezar cualquier operación de limpieza y mantenimiento, desconecte la cocina artefacto del suministro eléctrico.
- Le aconsejamos que limpie la cocina cuando se encuentre fría, especialmente cuando vaya a limpiar las partes esmaltadas.
- Evite dejar sustancias alcalinas o ácidas (jugo de limón, vinagre, etc.) en las superficies.
- Evite usar productos de limpieza con cloro o base ácida.
- El horno debe ser siempre limpiado después de cada uso, usando productos adecuados y recordando que al usarlos por 30 minutos en la temperatura más alta, elimina la mayoría de residuos reduciéndolos a cenizas.

LIMPIANDO SU COCINA

- Desconecte el suministro eléctrico A/C de la caja general o interruptor, verifique que la cocina esté apagada y que todas las hornillas estén apagadas y frías antes de mover nada. Luego retire todas las piezas incluyendo las rejillas.
- Limpie las superficies interiores con una solución de agua tibia y polvo de hornear. La solución deber ser aproximadamente 2 cucharadas de polvo de hornear por cada litro de agua.
- Limpie las rejillas con una solución de detergente suave.
- La parte externa de la cocina se debe limpiar con una solución de detergente suave y agua tibia.
- Exprima el exceso de agua de la esponja o trapo cuando limpie el área de las perillas de control, o cualquier parte eléctrica.
- Limpie la superficie con una solución de agua tibia y detergente suave. Enjuague bien y seque con un trapo limpio que sea suave.
- No use esponjas de metal o cepillo de metal en las superficies.

LIMPIANDO LA SUPERFICIE DE LA UNIDAD Y LOS PLATILLOS REFLECTORES

- Desconecte el suministro eléctrico A/C de la caja general o interruptor, verifique que la cocina esté apagada y que todas las hornillas estén apagadas y frías antes de mover nada. Luego retire todas las piezas incluyendo las hornillas y platillos reflectores.
- Para retirar las hornillas y los platillos reflectores haga lo siguiente:

- Levante ligeramente la hornilla por el lado opuesto a la conexión, lo justo para que sobresalga al platillo.
- Hale la hornilla suavemente hasta que se desconecte del receptáculo.
- Una vez retirada la hornilla, el platillo se puede levantar.
- Limpie las hornillas y los platillos reflectores con una solución de detergente suave y agua tibia. Exprima el exceso de agua de la esponja o trapo cuando las limpie.
- Coloque nuevamente las hornillas y los platillos reflectores de la manera siguiente:
 - Alinee la abertura del platillo reflector y la conexión de la hornillas, mantenga la hornilla lo más nivelada posible con el Terminal colocado dentro del receptáculo, luego empuje la hornilla dentro del receptáculo.
 - Cuando la Terminal sea empujada dentro del receptáculo lo más adentro posible, presione el lado opuesto de la hornilla hasta que quede en su lugar.

NOTA:

No sumerja las hornillas en agua u otros líquidos.

TAPA DE LA COCINA

Ud. puede acceder el área debajo de la superficie de la cocina para efectos de limpieza, al levantar la tapa. Para hacerlo:

- Sostenga la tapa por ambas esquinas delanteras y tire hacia arriba.
- Una vez que haya levantado, coloque las varillas de soporte en su lugar.
- Coloque la tapa sobre la varillas de soporte.
- Limpie con una solución de agua jabonosa. Use una esponja de metal en áreas muy manchadas.
- Para bajar la tapa, levante la tapa sosteniéndola de la parte delantera. Guarde las varillas de soporte en su lugar. Baje la tapa a su lugar. Mientras lo haga, asegúrese que la parte delantera de la tapa cubra la parte superior del panel de control.

NOTA: no tire o suelte la tapa bruscamente. De hacerlo, podría herirse o causar daño a la cocina.

GAVETA DE ALMACENAJE REMOVIBLE

Para efectos de limpieza, puede remover la gaveta al halarlo hacia fuera hasta que ceda más, entonces levántelo.

Nunca almacene ningún material inflamable en la gaveta.

REEMPLAZANDO LA LUZ DEL HORNO

Antes de empezar cualquier mantenimiento de las partes eléctricas, debe desconectar la cocina del suministro eléctrico.

- Deje que el horno y los calentadores se enfríen.
- Desconecte el suministro eléctrico.
- Retire la cubierta protectora.
- Desenrosque y reemplace el bombillo con uno nuevo que sea adecuado para uso en altas temperaturas (300°C – 570°C) y que cuente con las mismas especificaciones: 250V 60Hz, 15W, E14.
- Coloque la cubierta protectora.

NOTA:

El bombillo de reemplazo del horno no está cubierto por la garantía.

PROBLEMAS CON SU COCINA ELECTRICA?

Ud. Puede resolver muchos problemas comunes a los electrodomésticos fácilmente, ahorrándose el costo de una posible llamada al servicio técnico. Pruebe las sugerencias mencionadas abajo para ver si puede resolver el problema antes de llamar al servicio técnico.

GUIA DE PROBLEMAS

| PROBLEMA | CAUSA POSIBLE |
|--|--|
| <ul style="list-style-type: none">Las hornillas no mantienen el hervor o las frituras demoran mucho. | <ul style="list-style-type: none">Debe usar ollas y/o sartenes que tengan los fondos completamente planos.Los fondos de las ollas y/o sartenes deben ser del tamaño de la hornilla que use. |
| <ul style="list-style-type: none">Los alimentos tardan mucho en cocinarse. | <ul style="list-style-type: none">Está usando ollas y/o sartenes inapropiados. |
| <ul style="list-style-type: none">Las hornillas no funcionan. | <ul style="list-style-type: none">Puede tener un fusible quemado o el interruptor apagado.La hornilla no está bien conectada al receptáculo.No uso la perilla de control correctamente. |
| <ul style="list-style-type: none">Los controles de temperatura no giran. | <ul style="list-style-type: none">Si es una perilla de control de hornillas, presiónela antes de girarla.Si es una perilla de control del horno, debe girarla en sentido horario. |
| <ul style="list-style-type: none">La luz del horno no funciona. | <ul style="list-style-type: none">El bombillo está suelto o está quemado.El interruptor de encender la luz del horno está roto. |
| <ul style="list-style-type: none">El horno no funciona. | <ul style="list-style-type: none">Puede tener un fusible quemado o el interruptor apagado.No usa la perilla de control correctamente. |
| <ul style="list-style-type: none">Los alimentos no se asan correctamente. | <ul style="list-style-type: none">La perilla de control del horno no está en BROIL.La rejilla está en la posición incorrecta.El recipiente no es apropiado para asar.El termostato del horno está defectuoso. |
| <ul style="list-style-type: none">Los alimentos no se hornean correctamente. | <ul style="list-style-type: none">La perilla de control del horno no está en BAKE.La rejilla está en la posición incorrecta.El recipiente no es apropiado para asar.El termostato del horno está defectuoso. |

AIDEZ NOUS À VOUS AIDER ...

Lisez attentivement ce guide.

Il est destiné à vous aider à utiliser et à maintenir votre nouvel appareil correctement.

Gardez-le à portée de main pour répondre à vos questions.

Si vous ne comprenez pas quelque chose ou vous avez besoin de plus d'aide, s'il vous plaît appelez:

**Avanti Service à la clientèle
800-220-5570**

Gardez preuve de la date d'achat d'origine (tel que votre bordereau de vente) avec ce guide pour établir la période de garantie.

PRUDENCE:

**CET APPAREIL EST PAS
CONÇU POUR LE STOCKAGE
DE MÉDECINE OU D'AUTRES
PRODUITS MÉDICAUX.**

Notez le modèle et le numéro de série.

Vous les trouverez sur une plaque située sur la paroi extérieure arrière de l'appareil.

S'il vous plaît écrire ces chiffres ici:

Date d'achat

Numéro de modèle

Numéro de série

Utilisez ces numéros dans toute correspondance ou appels de service concernant votre appareil.

Si vous avez reçu un appareil endommagé, contactez immédiatement le revendeur (ou le constructeur) qui vous a vendu l'appareil.

Gagnez du temps et de l'argent. Avant d'appeler le service, consultez le Guide de dépannage. Il énumère les causes des problèmes de fonctionnement mineurs que vous pouvez vous corriger.

SI VOUS AVEZ BESOIN DE SERVICE

Nous sommes fiers de notre service et nous voulons que vous soyez heureux. Si pour une raison quelconque vous n'êtes pas satisfait du service que vous recevez, voici quelques étapes à suivre pour obtenir de l'aide.

FIRST, contacter les gens qui ont réparé votre appareil. Expliquez pourquoi vous n'êtes pas satisfait. Dans la plupart des cas, cela va résoudre le problème.

Ensuite, si vous n'êtes toujours pas satisfait, écrivez tous les détails, y compris votre numéro de téléphone, et l'envoyer à:

**Service Clients
Avanti Produits
10880 NW 30 Street
Miami, FL 33172 USA**

APPAREIL SÉCURITÉ

Votre sécurité et celle des autres sont très importantes.

Nous avons fourni de nombreux messages de sécurité importants dans ce manuel et sur votre appareil. Toujours lire et obéir à tout message de sécurité.



C'est le symbole d'alerte de sécurité. Ce symbole vous signale les dangers potentiels peut tuer ou blesser vous et d'autres. Tout sécurité messages suivra la sécurité symbole d'alerte et soit les quartiers" DANGER", "ATTENTION" ou "PRUDENCE".



Danger signifie que le non-respect de cette déclaration de sécurité peut entraîner des blessures ou la mort.



Attention signifie que le non-respect de cette déclaration de sécurité peut entraîner des dommages importants du produit, des blessures graves ou la mort.



Attention signifie que le non-respect de cette déclaration de sécurité peut entraîner des mineures ou modérées blessures, ou des biens ou des dommages matériels.

Tout message de sécurité vous alertera à quel est le danger potentiel et vous disent comment réduire le risque de blessure, et vous permettent de savoir ce qui peut arriver si les instructions ne sont pas suivies.

APPAREIL SÉCURITÉ



Avant le appareil est utilisé, il doit être correctement positionné et installé comme décrit dans ce manuel, afin de lire attentivement le manuel. Pour réduire le risque d'incendie, choc ou de blessure électrique lors de l'utilisation du l'appareil, Suivez les précautions de bases, comprenant les éléments suivants:



- Brancher sur une 3 broches mise à la terre sortie, faire pas enlever la terre broches, faire pas utiliser un adaptateur, et ne pas utiliser une rallonge
- Remplacer tous les panneaux avant exploitation
- Il est recommandé d'utiliser un circuit distinct, qui sert uniquement votre refroidisseur de breuvages, fournir. Utilisez des récipients cette ne peut pas être désactivé par une chaîne de traction interrupteur ou
- Ne jamais nettoyer appareil pièces avec des liquides inflammables. Ces vapeurs peuvent créer un risque d'incendie or explosion. Et ne pas stocker ou utiliser de l'essence ou d'autres vapeurs et liquides inflammables à proximité de cet appareil ou de tout autre appareil. Les vapeurs peuvent créer un risque d'incendie ou d'explosion.
- Avant de procéder à des opérations de nettoyage et d'entretien, assurez-vous que la ligne d'alimentation de l'appareil est débranchée.
- Faire pas brancher ou débrancher la prise électrique lorsque vos mains sont humides
- Débranchez le appareil ou déconnecter la alimentation avant le nettoyage ou l'entretien. Ne pas le faire peut entraîner un choc électrique ou la mort.
- Faire pas tenter de réparer ou de remplacer une partie de votre appareil à moins qu'il ne soit spécifiquement recommandé dans ce matériau. Toutes les autres réparations doivent être confiées à un technicien qualifié.



- Utilisation deux personnes ou plus pour déplacer et installer l'appareil. Ne pas le faire peut entraîner dans le dos ou d'autres blessures.
- Pour assurer une bonne ventilation de votre appareil, l'appareil doit être complètement dégagé. Choisissez un endroit bien aéré avec des températures supérieures à 55°F (13°C) et au-dessous 90°F (32°C). Cet appareil doit être installé dans une zone protégée de l'élément, Comme le vent, la pluie, de l'eau pulvérisée ou lumière du soleil.
- l'appareil ne doit pas être situé à côté de fours, grilles ou autres sources de chaleur élevée.
- L'appareil doit être installé avec toutes les connexions électriques, d'eau et d'évacuation, conformément à codes étatiques et locaux. Une alimentation électrique standard (115 V CA seulement, 60 Hz), mise à la terre conformément au Code national de l'électricité et les codes et règlements locaux est nécessaire.
- Faire pas plier ou pincer le cordon d'alimentation du appareil.
- Le fusible (ou disjoncteur) doit être de 15 ampères.
- Il est important pour l'appareil soit à niveau afin de fonctionner correctement. Vous devrez peut-être faire plusieurs ajustements à niveler.
- Toute installation doit être conforme aux exigences du code de plomberie locale.
- Assurez-vous que les tuyaux ne sont pas pincés ou pliés ou endommagés au cours installation.
- Vérifier les fuites après connexion.
- Ne jamais laisser les enfants utiliser, jouer avec ou crawl à l'intérieur de l'appareil
- Faire pas utiliser de produits de nettoyage à base de solvants or abrasifs sur l'intérieur. Ces nettoyeurs peuvent endommager ou décolorer l'intérieur.
- Ne pas utiliser cet appareil pour d'autres fins que celles prévues.

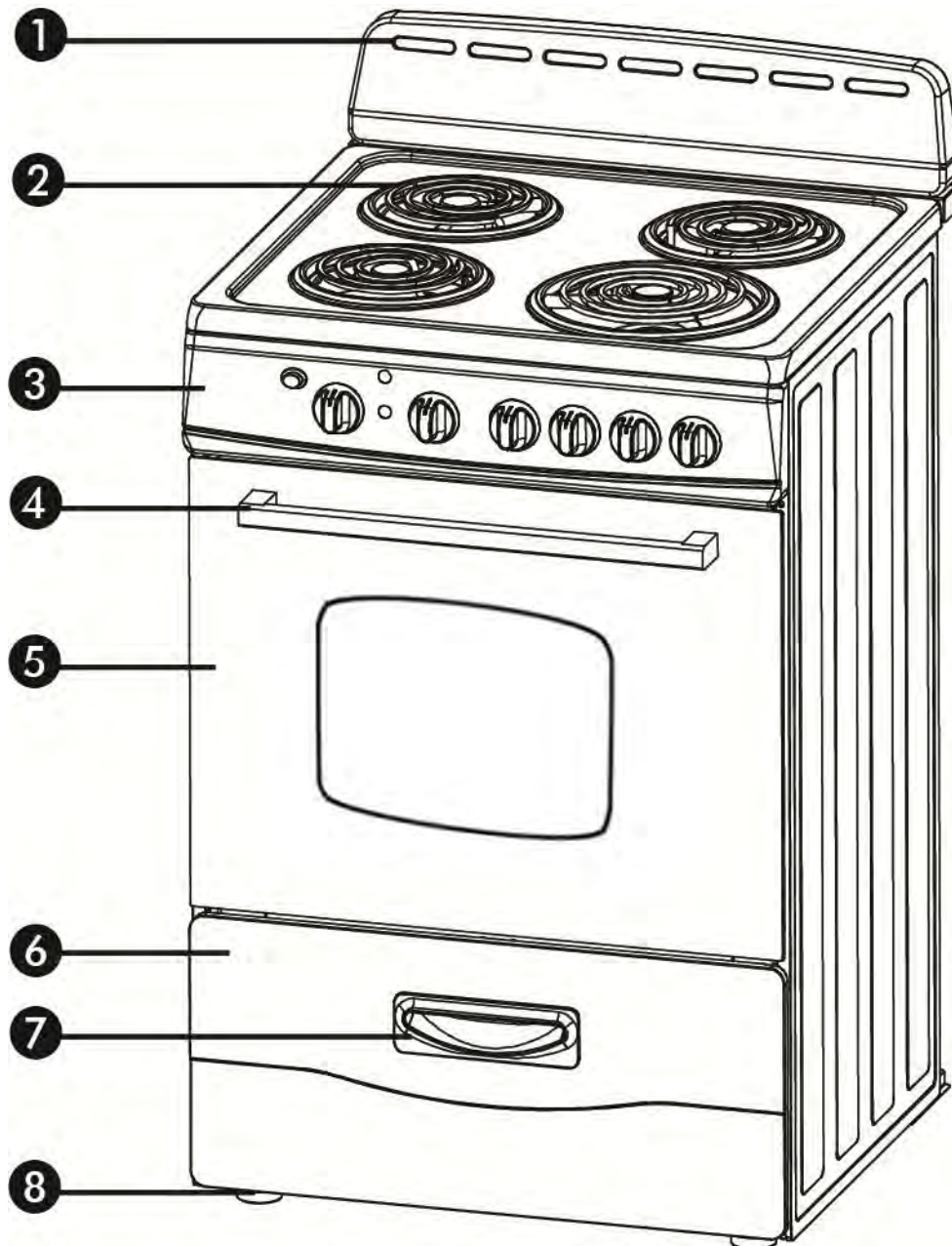
LE SUPPORT ANTI-TIP

La cuisinière ne bascule pas pendant une utilisation normale. Cependant, la gamme peut basculer si vous appliquez trop de force ou de poids à la porte ouverte sans le support anti-renversement convenablement fixée.

Pour réduire le risque de basculement de l'appareil, l'appareil doit être garanti par correctement installer dispositif anti-renversement inclus avec l'appareil.

| | | |
|---|---|------------------------|
|  |  | <h1>AVERTISSEMENT</h1> |
|  | <h3><u>Risque de renversement</u></h3> | |
| <p>Un enfant ou un adulte peut faire basculer la cuisinière ce qui peut entraîner des blessures graves ou la mort.</p> | | |
| <p>Installer le dispositif anti-basculement de la cuisinière et / ou de la structure par les instructions d'installation Engager la gamme vers le dispositif anti-basculement installé à la structure.</p> | | |
| <p>Re-enclencher le dispositif anti-bascule si la plage est supprimée.</p> | | |
| <p>Le non-respect de ces instructions peut entraîner la mort ou des blessures graves et / ou des brûlures aux enfants et aux adultes.</p> | | |
|  <p>Pied arrière</p> <p>Dispositif anti-basculement</p> | <p>Faire en sorte que le dispositif anti-basculement est installé:</p> | |
| <ul style="list-style-type: none">• Glisser la cuisinière vers l'avant• Recherchez le dispositif anti-basculement, assurez-vous qu'il est bien fixé au plancher• Faire glisser la cuisinière en place afin que le pied arrière est sous le dispositif anti-basculement. | | |
| <p>RENSEIGNEMENTS POUR LE CONSOMMATEUR - INSTALLATEUR NE DOIT PAS ENLEVER</p> | | |
| <p>RENSEIGNEMENTS POUR LE CONSOMMATEUR - INSTALLATEUR NE DOIT PAS ENLEVER</p> | | |

PIÈCES ET CARACTÉRISTIQUES



1. **Dosseret avec orifice du four intégré**
2. **Table de cuisson**
3. **Panneau de contrôle**
4. **Poignée four**
5. **porte du four**
6. **tiroir de rangement**
7. **Poignée tiroir de rangement**
8. **Pieds de nivellement (4)**

CONSIGNES DE SÉCURITÉ IMPORTANTES



ATTENTION

Pour réduire le risque d'incendie, d'électrocution ou de blessure lors de l'utilisation de la gamme, suivre ces précautions de base:

- Lisez toutes les instructions avant d'utiliser la gamme.
- **ATTENTION:** POUR REDUIRE LE RISQUE DE BASCULEMENT DE LA CUISINIÈRE, LA DOIT ÊTRE BIEN PAR DISPOSITIF ANTI-TIP INSTALLÉ CORRECTEMENT. POUR VÉRIFIER SI LE DISPOSITIF EST INSTALLÉ CORRECTEMENT, FAITES GLISSER L'APPAREIL VERS L'AVANT, REGARDEZ POUR BRIDE ANTIBASCULEMENT FIXÉE AU PLANCHER, ET GLISSER L'APPAREIL RETOUR ARRIÈRE EST SOUS LA BRIDE ANTIBASCULEMENT.
- **PRUDENCE:** Ne pas stocker les articles d'intérêt pour les enfants dans les armoires au-dessus d'une cuisinière ou sur le dossier d'une gamme - les enfants grimper sur la plage pour atteindre ces objets pourraient être gravement blessés.
- Installation appropriée - Assurez-vous que la cuisinière est correctement installée et mise à la terre par un technicien qualifié.
- Ne jamais utiliser votre appareil pour réchauffer ou chauffer la pièce.
- Ne pas laisser les enfants seuls - Les enfants ne doivent pas être laissés seuls ou sans surveillance dans la zone où l'appareil est en cours d'utilisation. Ils ne devraient jamais être autorisés à rester assis ou debout sur une partie quelconque de l'appareil.
- Porter des vêtements appropriés - raccord desserré ou vêtements suspendus ne doivent jamais être portés pendant l'utilisation de l'appareil.
- Entretien par l'utilisateur - Ne pas réparer ou remplacer une partie quelconque de l'appareil à moins spécifiquement recommandé dans le manuel. Toutes les autres réparations doivent être confiées à un qualifié technicien.
- Stockage dans ou sur du matériel - Des matériaux inflammables ne doit pas être stocké dans un four ou à proximité des unités de surface.
- Ne pas utiliser l'eau sur un feu de graisse - Éteindre le feu ou les flammes ou utiliser un produit chimique sec ou à mousse.
- Utilisez seulement des mitaines sèches - Moist de maniques humides sur des surfaces chaudes peuvent causer des brûlures par la vapeur. Ne laissez pas manique toucher les éléments chauffants. Ne pas utiliser une serviette ou un tissu épais.
- Utilisez Pan bonne taille - Cet appareil est équipé d'une ou plusieurs unités de taille différente de la surface. Choisissez les ustensiles ayant un fond plat assez grand pour couvrir l'élément chauffant de l'unité de surface. L'utilisation d'ustensiles trop petits exposera une partie de l'élément de chauffage à contact direct et peut entraîner l'inflammation des vêtements. L'utilisation d'ustensiles de brûleur permettra également d'améliorer l'efficacité.
- Ne jamais laisser les éléments de surface allumés à haute chaleur - Faire bouillir à cause de la fumée et des projections de graisse qui peuvent prendre feu.
- Assurez-vous que les cuvettes réfléchissantes ou coupelles sont en place - L'absence de ces cuvettes au cours de la cuisson peut câblage ou des composants sous des dommages.
- Garnissages protecteurs - Ne pas utiliser du papier d'aluminium pour l'unité de surface les cuvettes ou le fond du four, sauf tel que suggéré dans le manuel. Une mauvaise installation de ces revêtements peut entraîner un risque de choc électrique ou d'incendie.
- Ustensiles de cuisine émaillés - Seuls certains types de verre, verre / céramique, céramique, terre cuite, ou autres ustensiles émaillés peuvent être utilisés pour la gamme de service supérieure sans rupture à cause du changement brusque de température.
- Les poignées des ustensiles doivent être tournées vers l'intérieur et non vers le dessus des éléments adjacents
 - Pour minimiser les brûlures, inflammation de matériaux inflammables et de renversement par contact accidentel avec l'ustensile, la poignée d'un ustensile doit être positionné de telle sorte qu'il est tourné vers l'intérieur, et ne se prolonge pas sur les unités de surface adjacentes.

- Ne pas tremper les éléments de chauffage amovibles - Les éléments de chauffage ne doivent jamais être immergés dans l'eau.
- Ne pas faire cuire sur table de cuisson brisée - Si cuisinier-haut doit briser, les solutions de nettoyage et les éclaboussures peuvent pénétrer le cuisinier haut cassé et créer un risque de choc électrique. Contactez immédiatement un technicien qualifié.
- Nettoyez la table de cuisson avec prudence - Si une éponge ou un chiffon humide est utilisé pour essuyer les renversements sur une surface de cuisson chaude, faire attention à éviter la consommation de vapeur. Certains nettoyeurs peuvent produire des vapeurs nocives si elle est appliquée sur une surface chaude.
- Utilisez soins Lorsque ouverture de la porte - Laisser l'air chaud ou de la fuite de vapeur avant de retirer ou de remplacer la nourriture.
- Ne pas faire chauffer des aliments, Les récipients fermés- L'accumulation de pression peut faire exploser le contenant et causer des blessures.
- Gardez l'évent du four Conduits Dégagée.
- Placement des grilles du four - Toujours placer les grilles du four à l'emplacement désiré lorsque le four est froid. Si la grille doit être déplacée pendant que le four est chaud, ne pas laisser de manique élément chauffant dans le four.
- Ne pas toucher les unités de surface, les éléments de chauffage, les surfaces intérieures du four ou les zones proches de parts - unités de surface et les éléments chauffants peuvent être chauds même si elles sont de couleur foncée. Zone près de la surface et les surfaces intérieures d'un four deviennent assez chaudes pour causer des brûlures. Pendant et après l'utilisation, ne pas toucher ou laisser des vêtements ou d'autres unités de surface des matériaux inflammables de contact, les zones proches des unités ou des surfaces intérieures du four jusqu'à ce qu'ils aient eu suffisamment de temps pour refroidir. D'autres surfaces de l'appareil peuvent devenir assez chaudes pour causer des brûlures - parmi ces surfaces sont des ouvertures d'aération du four et les surfaces près de ces ouvertures, les portes du four et la fenêtre des portes du four.

Cette unité est à usage intérieur uniquement
-GARDES CES CONSIGNES

INSTRUCTIONS D'INSTALLATION



ATTENTION

AVEZ CETTE GAMME INSTALLÉE PAR UN INSTALLATEUR QUALIFIÉ.

L'INSTALLATION, L'AJUSTEMENT, LA MODIFICATION OU L'ENTRETIEN INCORRECTS PEUVENT CAUSER DES BLESSURES OU DES DOMMAGES MATÉRIELS.

CONSULTER UN INSTALLATEUR QUALIFIÉ OU UNE AGENCE DE SERVICE.

IMPORTANT - CONSERVER POUR L'UTILISATION DU INSPECTEURS LOCAUX.

➤ **AVANT D'UTILISER VOTRE CUISINIÈRE ÉLECTRIQUE**

- Retirez l'emballage extérieur et intérieur.
- Vérifiez que vous avez toutes les pièces suivantes:
 - 3 six pouces brûleurs en spirale avec réflecteur Bols (pré-installé)
 - 1 Huit pouces Enroulé Brûleur avec réflecteur Bol (pré-installé)
 - 2 grilles de four
 - 1 Broiler Plateau et Grille
1 Anti-tip Bracket
(Emballé dans l'emballage de styromousse dessus de la plage - NE PAS JETER)
 - 1 Mode d'emploi
 - 1 Assemblée dossier (dossier et cinq (5) vis)
(Emballé dans l'emballage de styromousse dessus de la plage - NE PAS JETER)
- Nettoyer la surface intérieure à l'eau tiède avec un chiffon doux.
- Demandez à votre gamme installé et correctement mis à la terre par un installateur qualifié en conformité avec les instructions d'installation.
- Ne tentez pas de réparer ou de remplacer une partie de votre gamme à moins qu'il ne soit spécifiquement recommandé dans ce manuel.
- Ne pas enlever les étiquettes apposées de façon permanente, des avertissements ou des plaques à partir du produit. Cela peut annuler la garantie.
- L'installateur doit laisser ces instructions au consommateur qui doit conserver pour l'inspecteur local et pour référence future.
- S'il vous plaît respecter tous les codes et règlements locaux et nationaux.

IMPORTANTS

Avant vous utiliser cette plage pour la première fois: Til chauffage élémentsun revêtement protecteur, qui doit être brûlé avant utilisation. Pour ce faire, ouvrez la porte du four et réglez le bouton de contrôle de la température à 450 ° F. Tournez le sélecteur de fonction à l'élément de cuisson et l'élément Broil séparément à environ 15 minutes. Il est important d'assurer une ventilation adéquate au cours de cette période.

Til brûleursont également un revêtement protecteur, qui doit être brûlé avant utilisation. Pour ce faire, réglez le sélecteur de brûleur à la mise en 5 minutes maximum. Il est important d'assurer une ventilation adéquate. Eteindre les brûleurs et laisser refroidir complètement.

IMPORTANT:

Cette gamme est conçue et fabriquée uniquement pour la cuisson des domestiques (ménage) nourriture et ne convient pas pour une application non-domestique et ne doit donc pas être utilisé dans un environnement commercial.

La garantie de la gamme sera annulée si la plage est utilisé dans un environnement non domestique soit un environnement commercial, commercial ou communautaire demi.

➤ **PRÉCAUTIONS ET RECOMMANDATIONS IMPORTANTES**

Après avoir déballé la plage, vérifiez qu'il ne soit pas endommagé et la porte du four ferme correctement. En cas de doute, ne pas l'utiliser et de consulter votre fournisseur ou un technicien professionnel qualifié.

éléments d'emballage (par exemple des sacs en plastique, mousse de polystyrène, sangles d'emballage, etc.) ne doivent pas être laissés autour facilement la portée des enfants, car ils peuvent causer des blessures graves.

La gamme a été soigneusement testé pour un fonctionnement sûr et efficace. Cependant, comme avec tout appareil, il y a des précautions d'installation et de sécurité spécifiques qui doivent être suivies pour assurer un fonctionnement sûr et satisfaisant.

- Ne pas essayer de modifier les caractéristiques techniques de l'appareil, car cela pourrait devenir dangereux à utiliser.
- Ne pas effectuer des opérations de nettoyage ou d'entretien sur l'appareil sans avoir préalablement il déconnecté de l'alimentation électrique.
- Après utilisation, veiller à ce que les boutons sont en **OFF** position.
- Ne jamais toucher l'appareil avec les mains ou les pieds mouillés.
- Ne pas faire fonctionner l'appareil pieds nus.
- Ne laissez pas les enfants ou d'autres personnes incapables d'utiliser l'appareil sans surveillance.
- Pendant et après l'utilisation de la gamme, certaines parties deviennent très chauds. Ne pas toucher les pièces chaudes.
- Gardez les enfants loin de la plage quand il est en cours d'utilisation.
- **Risque d'incendie!** Ne stockez pas de matériaux inflammables dans le four ou dans le tiroir du bas.
- **Risque d'incendie!** Ne pas tenter de sécher les vêtements ou tout autre type de textile dans le four ou dans le tiroir du bas.
- Assurez-vous que les câbles électriques reliant d'autres appareils à proximité de la plage ne peuvent pas entrer en contact avec la table de cuisson ou de rester coincé dans la porte du four.
- Ne pas aligner les parois du four avec du papier d'aluminium. Ne pas placer des étagères, des casseroles, des plateaux de support, plateau de cuisson au grill ou autres ustensiles de cuisine sur la base de la chambre du four.
- Le fabricant décline toute responsabilité pour les dommages aux personnes ou des dommages matériels causés par une utilisation incorrecte de la gamme.
- Pour éviter tout risque possible, l'appareil doit être installé par un personnel qualifié. Toute réparation par des personnes non qualifiées peuvent entraîner un choc électrique ou un court-circuit. Afin d'éviter d'éventuelles blessures à votre corps ou à la plage, ne pas essayer de réparer fourni par vous-même. Ce travail doit être effectué par un personnel qualifié.
- **Risque de brûlure!** Le four de cuisson et accessoires peuvent devenir très chaud pendant le fonctionnement. Assurez-vous que les enfants sont gardés hors de la portée et de les avertir en conséquence. Pour éviter les brûlures utilisent des vêtements et des gants lors de la manipulation des pièces chaudes ou des ustensiles.
- Tenez loin de la cuisinière lorsque vous utilisez la porte du four. L'air chaud ou de la vapeur qui échappe peut causer des brûlures aux mains, le visage et / ou les yeux.
- Ne jamais nettoyer le four avec tous les appareils de nettoyage à la vapeur à haute pression, car il peut provoquer un court-circuit.
- Ne laissez rien sur le dessus de l'évent du four. Ne jamais couvrir l'ouverture de l'évent du four avec du papier d'aluminium ou tout autre matériau.
- Cette gamme est destinée à un usage domestique. Ne jamais utiliser l'appareil à d'autres fins.
- Si vous décidez de ne pas utiliser la gamme plus longtemps (ou décider de remplacer un ancien modèle), avant de les éliminer, il est recommandé qu'il soit rendu inopérant d'une manière appropriée, conformément à la réglementation en matière de santé et de protection de l'environnement, en veillant notamment à que toutes les parties potentiellement

dangereuses soient rendues inoffensives, en particulier en ce qui concerne les enfants qui pourraient jouer avec de vieux appareils. Retirez la porte avant de l'éliminer pour éviter l'emprisonnement.

➤ **INSTALLATION DE L'CUISINIÈRE ÉLECTRIQUE**

- La gamme électrique doit être installée par un technicien qualifié. Assurez-vous que vous avez tout le nécessaire pour une installation correcte. Il est de la responsabilité de l'installateur de respecter les autorisations d'installation spécifiées dans le manuel.
- Dimensions de l'ouverture du Cabinet qui sont présentés ci-dessus doivent être utilisés. Ces dimensions sont les distances minimales. Les distances minimales doivent être maintenues entre la surface de cuisson de l'appareil et la surface horizontale au-dessus de la table de cuisson.
- 30 pouces est la distance minimale entre le sommet de la surface de cuisson et le fond d'un bois non protégé ou armoire métallique
- Pour éliminer le risque de brûlures ou d'incendie en atteignant plus des unités de surface chauffées, un espace de stockage de l'armoire située au-dessus des unités de surface doit être évitée. Si une armoire de rangement doit être fourni, le risque peut être réduit en installant une hotte qui projette horizontalement un minimum de 5 pouces au-delà du fond des armoires.
- Placez votre cuisinière électrique sur un plancher qui est assez solide pour supporter quand il est entièrement assemblé comme image ci-dessus. Pour le niveau de votre cuisinière électrique, ajuster les pieds de nivellement au bas de l'appareil.
- Éviter de placer l'appareil dans les zones humides. Comme cela peut entraîner un risque de choc électrique.

➤ CONNEXION ÉLECTRIQUE

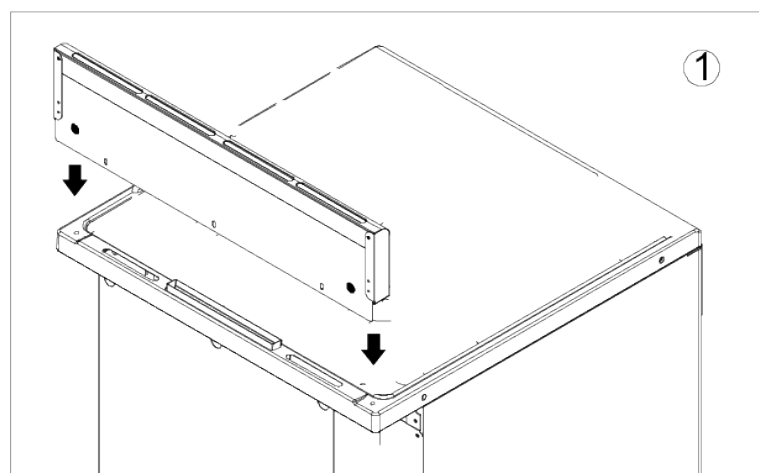
▲ **AVERTISSEMENT**

Non conforme échouage pouvez résultat dans ee risque de électrique sjarret. Si la banger cord jes endommagé, faites-le remplacer par un centre de service Avanti Produits autorisé.

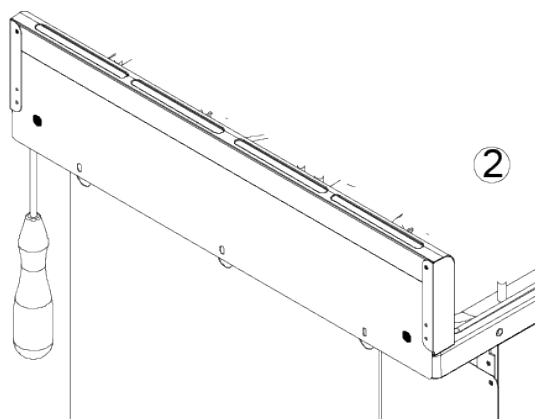
- Til appareil must be correctement jenstallée et garrondie by une qualifié technicianen conformité avec le National Electrical Code ANSI / NFPA n ° 70 (dernière édition) et les exigences locales du code électrique. L'installation doit être faite par un électricien agréé.
- La gamme peut être connecté au moyen de permanent "Hard câblage" ou "Kit de cordon d'alimentation".
Le cordon d'alimentation ne sont pas fournies, mais il est disponible dans votre maison d'alimentation électrique local.
- Utilisez seulement 3 conducteurs ou 4 conducteurs UL cordon de gamme évalué à 40 ampères avec 125 / 250V Plage de tension minimum. Ces cordons peuvent être fournis avec décharge de traction ou connecteur de conduit.
- La plage doit être connecté à la tension électrique et la fréquence comme indiqué sur l'étiquette signalétique.
- La gamme peut être connecté directement à la (ou la boîte de disjoncteur) à fusible par flexible, blindé ou non métallique gainé, câble de cuivre (avec fil de mise à la terre). Autoriser deux à trois pieds de mou dans la ligne de sorte qu'il peut être déplacé si le service est toujours nécessaire.
- **Pour votre sécurité personnelle, la plage doit être correctement mise à la terre.**
- Retirer le fusible ou disjoncteur ouvert avant de commencer l'installation.
- Ne tentez pas de réparer ou de remplacer une partie de l'appareil à moins qu'il ne soit spécifiquement recommandé dans ce manuel. Toutes les autres réparations doivent être confiées à un technicien qualifié.
- Afin de minimiser le risque de choc électrique, débranchez cet appareil de l'alimentation A / C avant l'entretien.

REMARQUE: *Tourner l'appareil ne déconnecte pas l'appareil de l'alimentation électrique. Nous vous recommandons d'avoir un service de technicien qualifié de votre appareil.*

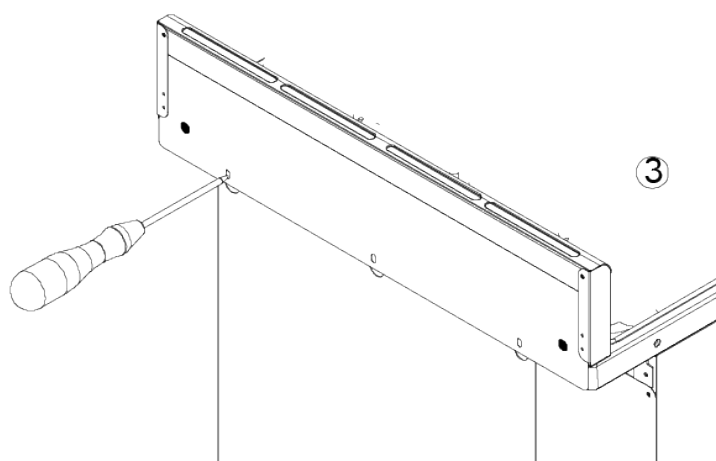
Installation du dossieret



Étape 1: Aligner le panneau avec la partie arrière de la cuisinière (Voir image)



Étape 2: À l'aide des (2) vis incluses, fixez le panneau à la cuisinière par le bas. (Voir image)

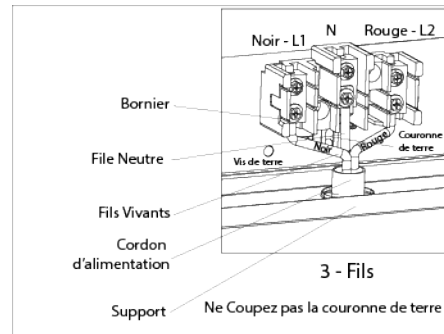
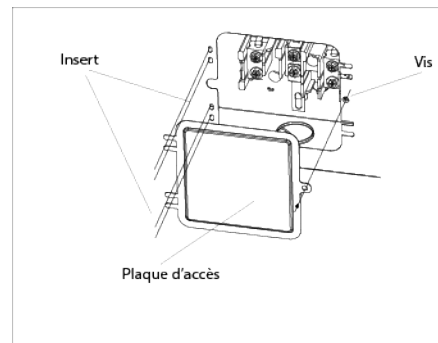


Étape 3: À l'aide des (3) vis fournies, fixer le panneau à la partie arrière de la cuisinière (voir image)

3 FILS CORDON INSTALLATION

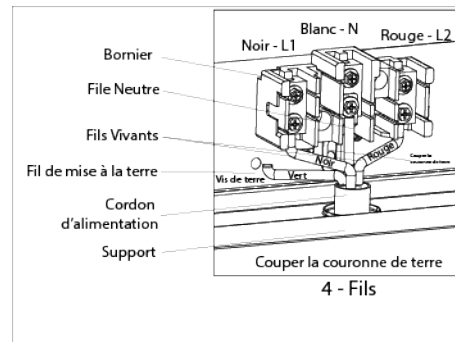
Retirer la plaque Bornier accès à l'arrière de la plage en retirant les vis de fixation 1.

- Assembler la décharge de traction dans le trou sur le support.
- Insérez le cordon d'alimentation à travers la décharge de traction et serrer.
- Laissez suffisamment de mou pour fixer facilement les bornes du cordon sur le bornier.
- Retirer les écrous et les rondelles de borne 3 fils du bornier.
- Branchez les trous terminaux du cordon d'alimentation. Le fil neutre ou la terre du cordon d'alimentation doit être connecté à la borne neutre située dans le centre du bloc terminal. Les câbles d'alimentation doivent être connectés à L1 et L2.
- Branchez les rondelles et serrer les écrous.
- Assembler la plaque Bornier Access.



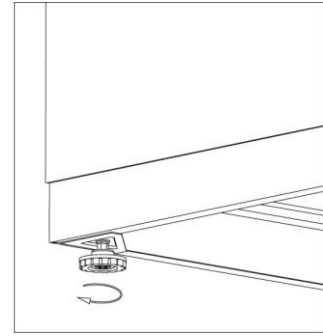
4 FILS CORDON INSTALLATION

- Retirer la plaque Bornier accès à l'arrière de la plage en retirant les vis de fixation 1.
- Assembler la décharge de traction dans le trou sur le support.
- Insérez le cordon d'alimentation à travers la décharge de traction et serrer.
- Laissez suffisamment de mou pour fixer facilement les bornes du cordon sur le bornier.
- Retirer les écrous et les rondelles de borne 3 fils du bornier.
- Retirez le câble de masse du châssis de la gamme et le terminal en enlevant sa vis et coupe comme indiqué.
- Branchez les trous terminaux du cordon d'alimentation. Le fil neutre du cordon d'alimentation doit être connecté à la borne neutre située dans le centre du bloc terminal. Le fil de terre du cordon d'alimentation doit être fixée au châssis de la gamme en utilisant le vert de couleur vis de terre. Les câbles d'alimentation doivent être connectés à L1 et L2.
- Branchez les rondelles et serrer les écrous.
- Assembler la plaque Bornier Access.



➤ **MISE À NIVEAU DE LA APPAREIL**

La plage doit être de niveau pour obtenir fonctionnement. Les quatre vis de type pieds de nivellement situés sur les coins en bas de gamme doivent être ajustés en les tournant dans le sens horaire pour rendre la gamme supérieure ou antihoraire pour abaisser la gamme jusqu'à ce que la plage est de niveau. Utilisez un niveau sur les unités de surface pour vérifier la mise à niveau de la gamme.

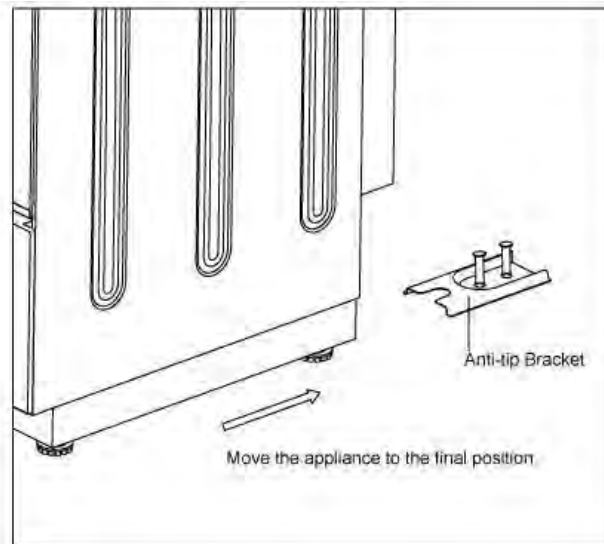
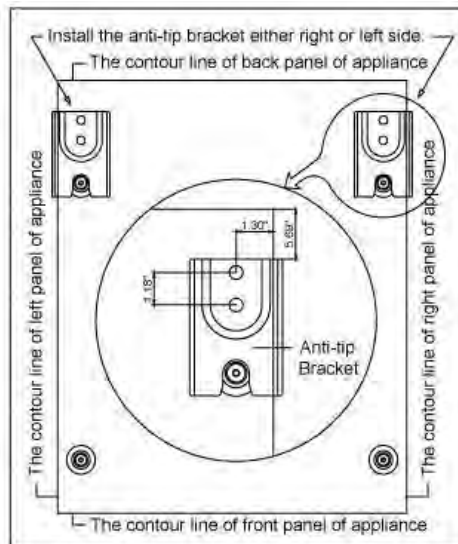


➤ **BRIDE ANTIBASCULEMENT INSALLATION**

Pour réduire le risque de basculement de l'appareil par une utilisation anormale ou inappropriée du chargement de la porte, la plage doit être fixé en installant correctement le dispositif anti-basculement emballé avec l'appareil.

- Placez le support anti-renversement sur le sol comme le montre la figure. Anti-tip support peut être installé sur côté droit ou gauche.
- Faire les emplacements des 2 trous de fournis-tip support sur le plancher.
- Utiliser un foret de 5/16 "de maçonnerie et insérer l'ancre en plastique.
- Fixer le support au sol à l'aide des vis fournies.
- Faites glisser l'appareil en position.

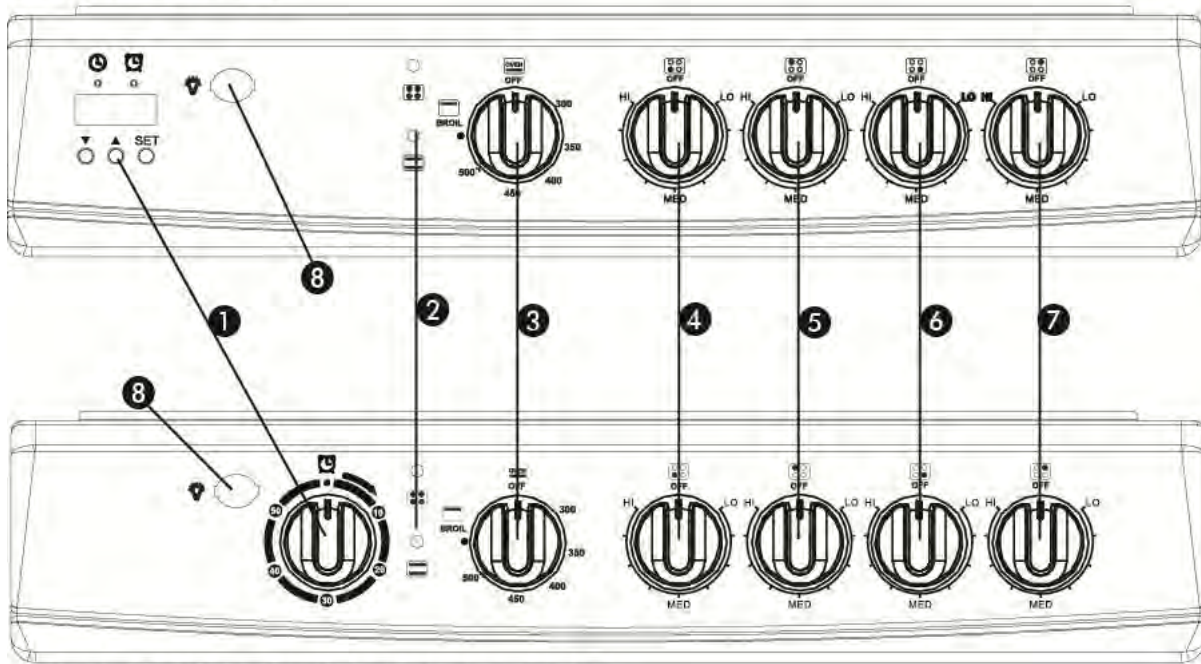
REMARQUE: Si la cuisinière est déplacée, le support doit être retiré et installé dans nouvel emplacement.



UTILISATION DE VOTRE APPAREIL

➤ PANNEAU DE CONTRÔLE

Modèle: ER24P3SG



MODELS: ER20P0W / ER20P3SG / ER24P0WG / ER24P1B

- | | |
|--|---|
| 1. Minuterie de cuisine (Numérique ou mécanique Bouton en fonction de votre modèle spécifique.) Disponible uniquement sur les modèles 24 " | 5. Arrière gauche Brûleur Bouton de commande |
| 2. Indicateurs lumineux | 6. Avant droite Bouton de commande du brûleur |
| 3. Four Bouton de température | 7. Arrière droit Brûleur Bouton de commande |
| 4. Brûleur avant à gauche Bouton de | 8. Interrupteur |

THERMOSTAT DU FOUR

Poussez et tournez le bouton vers la droite pour sélectionner la température désirée jusqu'à 500 ° F. Pour éteindre le four tourner la commande du thermostat sur la **OFF** position de réglage.

CONTRÔLE DU BRÛLER

La gamme est livré avec quatre brûleurs. Pour faire fonctionner les brûleurs simplement pousser et tourner le bouton à la position désirée. Ces contrôles vont de faible à puissance de sortie élevée, ayant un certain nombre de positions

Pour éteindre le brûleur, tournez le bouton de commande du brûleur à la **OFF** position de réglage.

MINUTEUR

Vous pouvez définir un temps de rappel jusqu'à 60 minutes. A la fin du temps sélectionné, vous entendrez le son d'une cloche. Pour régler les temps de moins de 30 minutes, tourner le bouton à la marque de 30 minutes, puis tourner à l'heure souhaitée.

FEUX DE FONCTIONNEMENT DE L'INDICATEUR

Les lampes du four et les brûleurs indiquant viendront **ON** séparément lorsque les brûleurs du four et supérieur sont en cours d'utilisation.

➤ UTILISATION DES UNITÉS DE SURFACE

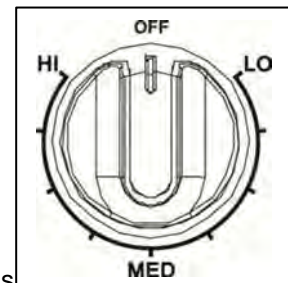
Votre gamme est équipé de quatre unités de surface avec deux tailles différentes. Trois d'entre eux 6 "et l'un d'eux est de 8" en taille. Les commandes de surface sont facilement exploités. Il suffit de pousser et tourner le bouton à la position désirée.

Lorsque l'élément est sous tension, le voyant est allumé

quel que soit le paramètre lorsque l'un ou plusieurs des éléments sont activés

Le contrôle a une variable de puissance de sortie de LO HI avec un certain nombre d' positions. La gamme de chaleur est augmentée en tournant le bouton de HI, a diminué en tournant le bouton de LO.

Le point solide dans la marque de l'unité de surface montre quelle unité de surface est activé par ce bouton.



IMPORTANT: Pour allumer, toujours appuyer légèrement le bouton de commande vers l'intérieur puis tourner.

➤ CONSEILS DE CUISINE

Les caractéristiques physiques des pots et des casseroles influencent les performances de tous les systèmes de cuisson. Par conséquent, l'accent doit être mis sur l'importance d'utiliser des ustensiles appropriés.

- Utilisez des récipients de cuisson à fond plat et de couvercles étanches pour économiser l'énergie et réduire la cuisson fois.
- Seuls certains types de verre, verre / céramique, céramique, terre cuite ou autres ustensiles vitrifiés sont adaptés à la table de cuisson. Les fabricants suggèrent d'utiliser faible pour les sélections de chaleur moyenne lors de l'utilisation ustensiles de cuisine en verre.
- taille Pan doit correspondre à la taille de l'élément. Un peu plus grand pan couvre tout l'élément et empêche les retombées de prendre contact avec la surface de la chaleur et de brûlure. À l'aide d'un moule plus petit que l'élément est un gaspillage d'énergie.
- Pour éviter les éclaboussures et de maximiser l'efficacité, fonds de casseroles doivent être propres et secs avant entrer en contact avec les éléments.
- Essayez les déversements au large des éléments avec un chiffon humide dès qu'ils refroidissent pour réduire le temps de nettoyage. Assurez-vous que le contrôle est **OFF**.

Si une unité de surface reste rouge pendant une longue période, le fond de la casserole ne suffit pas à plat ou trop petite pour l'unité de surface. L'utilisation prolongée d'ustensiles incorrects peut

entraîner des dommages à l'unité de surface, plaque de cuisson, le câblage et les régions avoisinantes. Pour éviter d'endommager l'utilisation correcte ustensile, commencer la cuisson sur la position HI et tournez la commande vers le bas pour continuer la cuisson.

Ne laissez jamais un ustensile vide, ou qui a bouilli à sec, sur une unité de surface chaude.

L'ustensile pourrait surchauffer et endommager les ustensiles ou unité de surface.

Assurez-vous toujours que tous les boutons de commande sont tournés vers **OFF** et les voyants sont **OFF** lorsque vous êtes

pas de cuisson.



AVERTISSEMENT

Make-vous que les poignées de batterie de cuisine ne dépassent pas sur le bord de la plage, pour éviter qu'ils ne soient renversés par accident. Cela rend également plus difficile pour les enfants d'atteindre les cuisine casseroles / poêles.

➤ UTILISATION DU FOUR

Vous pouvez utiliser votre gamme de cuisson et de gril. Pour cette raison, le four comporte deux éléments de chauffage différentes qui sont:

- Élément de cuisson 2100W (élément inférieur de chauffage)
- Griller élément 2000W (élément de chauffage supérieur)

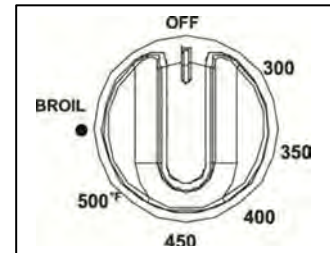
ATTENTION: La porte du four devient très chaud pendant le fonctionnement. Gardez les enfants hors de portée.

AVERTISSEMENT: La porte est chaude, utilisez la poignée.

THERMOSTAT FOUR

Tourner dans le sens horaire jusqu'à ce que la température désirée est atteinte (De OFF à 500 ° F).

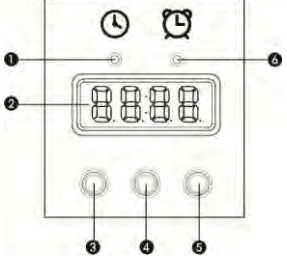
Les signaux lumineux de l'indicateur de puissance lorsque les éléments chauffants sont commutés **ON** ou commutées **OFF**.



Four Lumière

Le four est équipé d'une lumière qui illumine le four pour permettre visuellement le contrôle de la nourriture qui est cuit. En tournant le bouton marche / arrêt pour allumer la cavité du four.

Numérique Minuteur

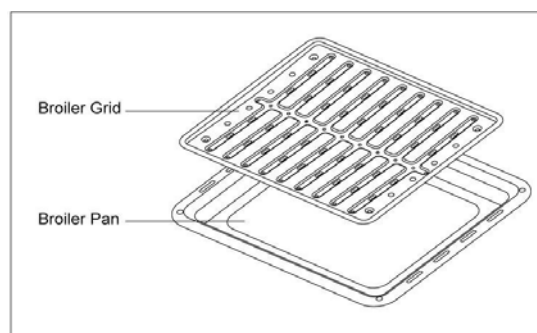
| | |
|--|--|
|  | <p>Lors de la première prise dans la plage ou de la puissance est de retour après 10 heures, vous verrez 12h00 dans l'écran et</p> |
| <p>1: Témoin Heure 2: Affichage numérique 3: Bouton vers le bas 4: Up Bouton 5: Set / Quitter Bouton 6: Cuire Indicateur de compteur</p> | <p>Horloge: Pour régler l'horloge, appuyez sur le bouton SET pour une fois, l'indicateur d'horloge s'allume, lorsque la position heure éclair régler l'heure en appuyant sur la presse SET vers le haut ou vers le bas bouton, lorsque vous avez terminé répétez les étapes pour les minutes et appuyez sur SET pour entrer réglage de la minuterie</p> <p>Cuire Timer: Appuyez sur le bouton SET trois fois et l'indicateur de minuterie de cuisson s'allume. Appuyez sur les boutons vers le haut ou vers le bas pour choisir le temps, sauf cuisson (1 - 99 minutes, par défaut est de 1 minute). Au bout de 5 secondes, le réglage est confirmé et le compte à rebours commence.</p> <p>Une fois le temps sélectionné est écoulé, le voyant s'éteint et l'alarme 15 fois son ou jusqu'à ce qu'un bouton est enfoncé.</p> |

Griller

Dans ce cadre que l'élément supérieur est activé **ON**. La chaleur est distribuée par rayonnement.

Pour griller, utiliser les étapes suivantes:

5. Placez la viande sur la grille de cuisson au grill dans la lèchefrite. Toujours utiliser la grille de sorte que les gouttes de graisse dans la lèchefrite, sinon les jus peuvent prendre feu. Ne pas griller sans utiliser la lèchefrite.
6. Placez la lèchefrite sur le deuxième niveau de la partie supérieure.
7. Tournez le bouton de commande du thermostat à la température de BROIL.
8. Lorsque le grillage est terminé, tournez le bouton de sélection de fonction et le bouton de commande du thermostat à la **OFF** la position, la porte ouverte supprimer complètement et la nourriture.



Rappelez-vous toujours que lorsque le four est chaud, les surfaces extérieures de la gamme deviennent chauds.

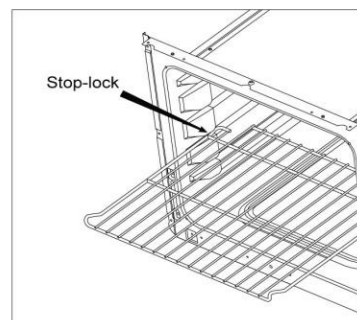
IMPORTANT:

Toujours utiliser des gants de protection appropriés lors de l'insertion / suppression de la lèchefrite, des étagères, des casseroles et autres ustensiles de cuisine du four.

ÉTAGÈRE DU FOUR

Le rack est conçu avec stop-serrures de telle sorte que lorsqu'il est placé correctement sur les partisans du rack, ils vont arrêter avant de sortir complètement du four, et ne seront pas basculer pour retirer les aliments ou de placer la nourriture sur eux. Lorsque vous placez une batterie de cuisine sur la grille, tirez la grille jusqu'à la bosse sur le support de grille. Placez la casserole sur la grille, puis faites glisser la grille dans le four.

Pour retirer la grille du four, tirez-le vers vous, inclinez l'extrémité avant vers le haut et retirez-le.



SOINS ET ENTRETIEN

➤ **INFORMATIONS GÉNÉRALES**

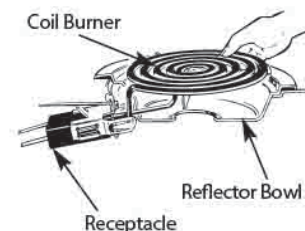
- **ATTENTION: Avant toute opération de nettoyage et d'entretien débrancher l'appareil de l'alimentation électrique.**
- Il est conseillé de nettoyer lorsque l'appareil est froid et en particulier pour le nettoyage des pièces émaillées.
- Évitez de laisser des substances alcalines ou acides (jus de citron, le vinaigre, etc.) sur les surfaces.
- Évitez d'utiliser des produits de nettoyage avec un atome de chlore ou de base acide.
- Le four doit toujours être nettoyé après chaque utilisation, en utilisant des produits et en gardant à l'esprit que son fonctionnement pendant 30 minutes sur la plus haute température élimine la plus crasse réduire en cendres appropriés.

➤ NETTOYAGE DE VOTRE APPAREIL

- Déconnecter le A / C dans la zone d'alimentation principale ou disjoncteur désigné, éteignez la cuisinière, assurez-vous que toutes les unités de surface sont éteintes et refroidir avant de retirer quoi que ce soit, puis supprimer tous les éléments, y compris des étagères et rack.
- Laver les surfaces intérieures avec une solution d'eau et de bicarbonate de soude chaude. La solution devrait être d'environ 2 cuillères à soupe de bicarbonate de soude à un litre d'eau.
- Lavez les tablettes et la grille avec une solution de détergent doux.
- L'extérieur de la plage doit être nettoyé avec un détergent doux et de l'eau chaude.
- Essorez l'excès d'eau de l'éponge ou d'un chiffon lorsque la zone des commandes ou des pièces électriques de nettoyage.
- Lavez l'extérieur avec de l'eau chaude et un détergent liquide doux. Rincez bien et séchez avec un chiffon doux et propre.
- Ne pas utiliser de laine d'acier ou d'une brosse en acier sur la cuisinière-top.

➤ NETTOYAGE DES UNITÉS DE SURFACE ET RÉFLECTEUR BOWLS

- Déconnecter le A / C dans la zone d'alimentation principale ou disjoncteur désigné et éteindre la gamme pour vous assurer que les brûleurs sont éteints et laisser refroidir avant de retirer les brûleurs et les bols de réflecteur.
- Retrait des brûleurs et des bols de réflecteur
Suivant:
 - Soulever le bord de l'unité en face du réceptacle, juste assez pour vider la cuve du réflecteur.
 - Retirez l'unité de surface doucement hors du réceptacle de montage.
 - Après que l'appareil a été retiré, la cuvette de réflecteur peut être soulevé hors de leur montage.
- Nettoyer les brûleurs et les bols de réflecteur avec un détergent doux et de l'eau chaude. Essorez l'excès d'eau de l'éponge ou d'un chiffon lors de leur nettoyage.
- Remplacer les brûleurs et les bols réflecteurs comme suivant:
 - Alignez l'ouverture du réflecteur bols avec les brûleurs récipient, maintenir l'unité de surface aussi plane que possible avec le terminal juste positionné dans le réceptacle, puis appuyez sur le terminal de l'unité de surface dans le réceptacle.
 - Lorsque le terminal est poussé dans les récipients dans la mesure où il ira, pousser vers le bas le bord de l'unité en face du réceptacle de la surface.



To remove the surface unit, lift it about 1 inch above the reflector bowl and pull it out.



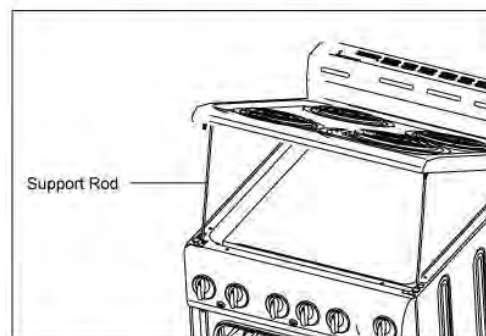
Replace the reflector bowl into the recess in the cooktop.

REMARQUE: Ne pas immerger les brûleurs dans l'eau ou tout autre liquide.

➤ **RELEVER L'TABLE DE CUISSON**

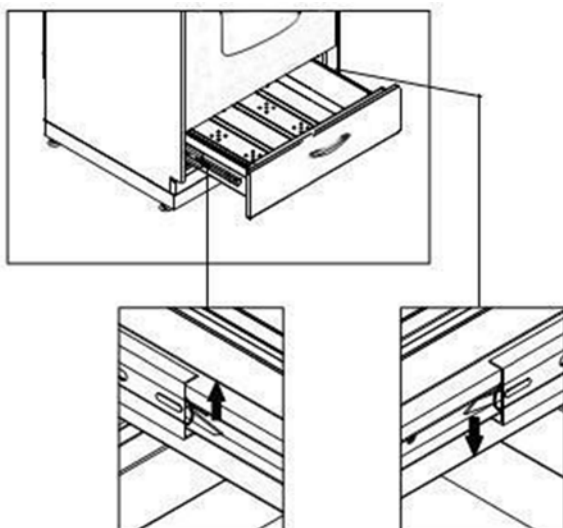
Vous pouvez accéder à la zone sous la table de cuisson à des fins de nettoyage en soulevant la table de cuisson. Pour faire:

- Maintenir la surface de cuisson à partir des coins avant gauche et droite table de cuisson et de tirer vers le haut.
- Après avoir soulevé la table de cuisson assez haut, mettre la tige de support en place comme indiqué.
- Laissez la table de cuisson sur le bout de la tige de support.
- Essuyer avec de l'eau chaude savonneuse. Utilisez un tampon de laine d'Steel- savonneuse sur les zones très sales.
- Pour abaisser la table de cuisson, soulever la table de cuisson tenant du bord avant. Remplacer la tige de support à sa place précédente. Abaisser la table de cuisson à sa place. Lors du remplacement de la table de cuisson, assurez-vous que le bord avant de la table de cuisson recouvre le bord supérieur du panneau de commande.



REMARQUE: Ne pas laisser tomber la table de cuisson. Des blessures ou des dommages à la structure de la table de cuisson peuvent en résulter.

➤ **TIROIR DE STOCKAGE AMOVIBLE**



① Soulevez le petit crochet gauche vers le haut, en même temps, appuyez sur le petit crochet droit vers le bas. (regarder la photo)

② Tirez le tiroir.

③ Pour remplacer le tiroir, aligner le tiroir avec les rails et pousser vers l'intérieur.

Ne stockez pas de matériaux inflammables dans le four ou dans le tiroir du bas.

➤ **REPLACEMENT DE LA LAMPE DU FOUR**

Avant toute opération de maintenance est démarré impliquant des parties électriques de l'appareil, il doit être débranché de l'alimentation électrique.

- Laissez la cavité et broil brûleur du four refroidir.
- Coupez l'alimentation électrique.
- Retirez le couvercle de protection.
- Dévissez et remplacer l'ampoule par un nouveau adapté à haute température (300 ° C ~ 570 ° C) ayant les mêmes spécifications: 240V 60Hz, 15W, E14.
- Replacer le couvercle de protection.

REMARQUE: le remplacement de l'ampoule du four ne sont pas couverts par votre garantie.

PROBLÈMES AVEC VOTRE GAMME ÉLECTRIQUE?

Vous pouvez résoudre de nombreux problèmes de l'appareil commun facilement, vous permet d'économiser le coût d'un appel de service possible. Essayez les suggestions ci-dessous pour voir si vous pouvez résoudre le problème avant d'appeler le réparateur.

GUIDE DE DÉPANNAGE

| PROBLÈME | CAUSE POSSIBLE |
|---|--|
| Les éléments de surface ne seront pas maintenir une ébullition ou le taux de friture est pas assez rapide | <ul style="list-style-type: none"> • Vous devez utiliser des casseroles qui sont absolument plat. • fonds Pan doivent correspondre |
| Les aliments cuisent lentement | <ul style="list-style-type: none"> • ustensiles de cuisine incorrecte utilisé. |
| Les éléments de surface ne fonctionnent pas | <ul style="list-style-type: none"> • Vous avez soufflé un fusible ou déclenché un disjoncteur. • Les unités de surface ne sont pas branchés tout le chemin. • Vous ne l'avez pas réglé correctement les |
| Les boutons de commande ne seront pas tourner | <ul style="list-style-type: none"> • Si elle est un bouton de commande de l'unité de surface, vous n'êtes pas pousser en avant de tourner. • Si elle est le bouton de commande du |
| L'éclairage du four ne fonctionne pas | <ul style="list-style-type: none"> • L'ampoule est lâche ou défectueux. • Commutateur d'exploitation lumière du four est |
| Le four ne fonctionne pas | <ul style="list-style-type: none"> • Vous avez soufflé un fusible ou déclenché un disjoncteur. • Vous ne l'avez pas réglé correctement les |
| Les aliments ne broil pas correctement | <ul style="list-style-type: none"> • Le bouton de commande du four ne soit pas fixé à Broil. • la position de grille incorrecte utilisée. • Casseroles ne convient pas pour la cuisson au grill. |
| Les aliments ne cuire pas correctement | <ul style="list-style-type: none"> • Le bouton de commande du four est pas réglé correctement. • Position de la grille est incorrecte. • ustensiles de cuisine ou ustensiles de cuisine de mauvaise taille incorrecte est |

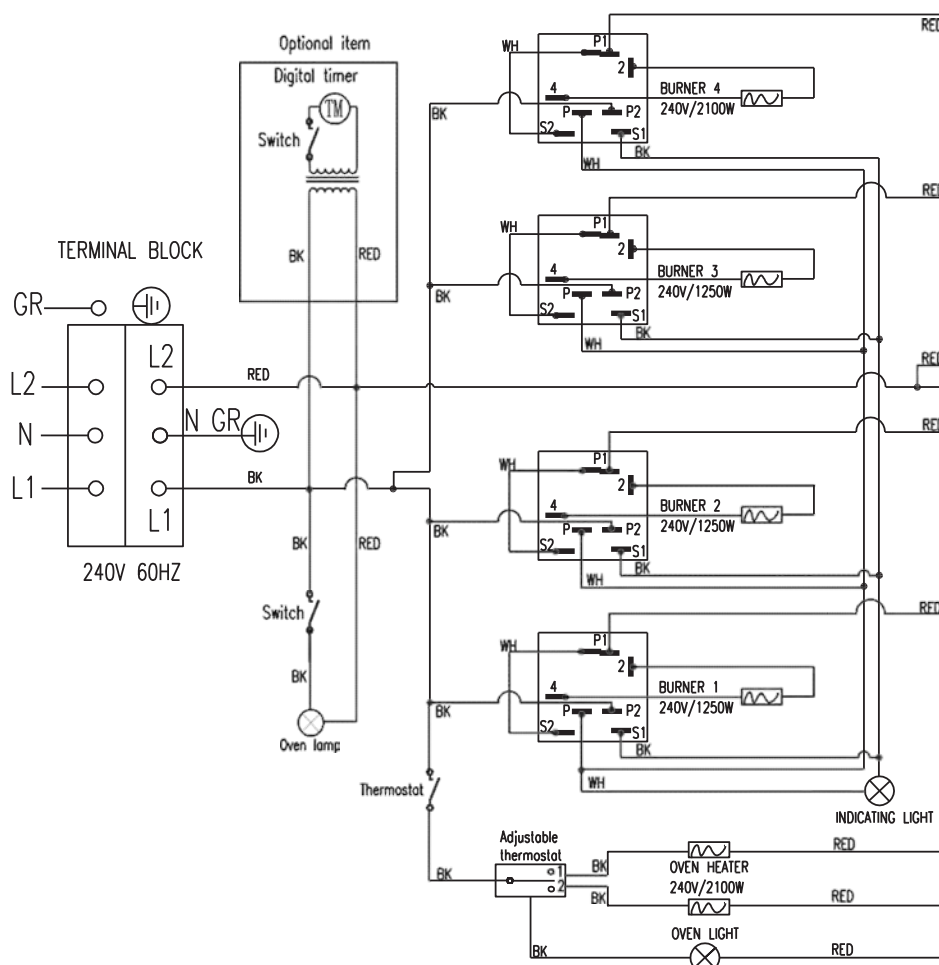
SERVICE POUR VOTRE APPAREIL

nous sont fiers de notre organisation de service à la clientèle et le réseau de techniciens de services professionnels qui offrent des services sur vos appareils Avanti. Avec l'achat de votre appareil Avanti, vous pouvez avoir la certitude que si vous avez besoin d'informations ou de l'aide, l'équipe du service à la clientèle Avanti Products sera là pour vous. Appelez-nous sans frais.

AVANTI PRODUITS SERVICES CLIENTS

| | |
|--|---|
| Information sur le produit 1- 800-323-5029 | Quelles que soient vos questions sur nos produits, l'aide est disponible. |
| Parties (Orders) 1-800-220-5570 | Vous pouvez commander des pièces et accessoires qui seront livré directement à votre domicile par chèque personnel, mandat, Master Card ou Visa. |
| In-Home Service de reparations : 1-800-220-5570 | Un centre de service Avanti Produits autorisé fournira un service de réparation expert, prévue à un moment qui vous convient. Nos réparateurs formés connaître votre appareil à l'intérieur et à l'extérieur. |

SCHEMA




| | |
|---|---|
| <p align="center">VOTRE GARANTIE AVANTI PRODUITS</p> | <p>Staple votre reçu de vente ici. Preuve de la date d'achat originale est nécessaire pour obtenir un service sous garantie.</p> |
| <p><u>CE QUI EST COUVERT - GARANTIE LIMITÉE D'UN AN</u></p> | |
| <p>Avanti Products garantit que le produit est exempt de défauts de matériaux et / ou de fabrication pour une période de douze (12) mois à compter de la date d'achat par le propriétaire initial. La durée commence à courir à la date d'achat, et ne sera pas retardée, restreinte, prolongée ou suspendu pour quelque raison que ce soit, sauf si décrit en détail dans le document de garantie. Pendant un an à compter de la date d'achat par le propriétaire d'origine, les produits Avanti seront, à sa discrétion, réparer ou remplacer toute partie du produit qui se révèle être un défaut de matériau ou de fabrication dans une utilisation normale. Avanti Products vous fournira un produit raisonnablement semblable nouveau ou remis à neuf. Au cours de cette période Avanti Products fournira toutes les pièces et la main-d'œuvre nécessaires pour corriger ces défauts gratuitement, aussi longtemps que le produit a été installé et utilisé conformément aux instructions écrites dans ce manuel. En usage locatif ou commercial, la période de garantie est de 90 jours. Tous les appareils Avanti de 3,5 pieds cubes la capacité ou moins doivent être traduits / envoyé au centre de service de l'appareil pour la réparation.</p> | |
| <p><u>COMPLET 30 - GARANTIE DU JOUR</u></p> | |
| <p>De la date d'achat sur les pièces de verre et la finition de porcelaine émaillée, peint, ou des pièces métalliques fini</p> | |
| <p><u>EXCLUSIONS DE LA GARANTIE / NON COUVERTS:</u></p> | |
| <p>La couverture de la garantie décrite ici exclut tous les défauts ou les dommages qui ne sont pas la faute directe de Avanti Products. y compris, sans limitation, un ou plusieurs des éléments suivants:</p> | |
| <ul style="list-style-type: none"> ● Un non-respect de tout État applicable, local, ville, ou du comté électricité, plomberie et / ou des codes du bâtiment, des règlements ou des lois, y compris le défaut d'installer le produit en stricte conformité avec le feu et les codes du bâtiment et les règlements locaux. ● Les forces externes, élémentaires et / ou l'environnement et les facteurs, y compris, sans s'y limiter, la pluie, le vent, le sable, les inondations, les incendies, les coulées de boue, des températures de congélation, l'humidité excessive ou à une exposition prolongée à l'humidité, la foudre, les surtensions, les défaillances | |
| <ul style="list-style-type: none"> ● les pertes de contenu de la nourriture ou d'autres contenus en raison de la détérioration. ● Les dommages accessoires ou consécutifs ● Pièces et coûts de main-d'œuvre pour les éléments suivants ne seront pas considérés comme garantie: <ul style="list-style-type: none"> ● ressorts de porte, et / ou des cadres. ● panneaux intérieurs de portes, des étagères de porte, rails de porte, et / ou supports de porte. ● Les ampoules et / ou boîtier en plastique. | <ul style="list-style-type: none"> ● Les frais de transport et de manutention associés au remplacement de l'unité. ● Les réparations effectuées par réparateurs non autorisés. ● Les appels de service qui sont liés à des problèmes externes, tels que l'abus, l'alimentation électrique inadéquate, les accidents, les incendies, les inondations, ou tout autre acte de Dieu. ● Une panne du produit si elle est utilisée pour autre chose que son intention but. ● La garantie ne couvre pas en dehors de la Continental USA. ● Surtaxes, y compris mais sans s'y limiter, toute après heure, les appels week-end, ou de services |
| <p>En aucun cas, Avanti Products toute responsabilité ou responsabilité pour les dommages aux biens environnants, y compris les armoires, les planchers, les plafonds, et d'autres structures et / ou des objets autour du produit. Sont également exclus de cette garantie sont les égratignures, les entailles, les bosses mineures, et d'autres dommages esthétiques sur les surfaces externes et les parties exposées; Produits dont les numéros de série ont été modifiés, effacés ou supprimés; visites de service pour l'éducation à la clientèle, ou des visites où il n'y a rien de mal avec le produit; correction des problèmes d'installation (vous êtes seul responsable de toute structure et réglage pour le produit, y compris tous les systèmes électriques, de plomberie et / ou d'autres installations de raccordement, pour le bon plancher / fondation, et pour toute modification, y compris sans s'y</p> | |
| <p><u>HORS DE LA GARANTIE DU PRODUIT</u></p> | |
| <p>Avanti Products est soumis à aucune obligation, en droit ou autrement, de vous fournir toutes les concessions, y compris les réparations, les pro-taux, ou le remplacement du produit, une fois la garantie expirée.</p> | |
| <p align="right"><small>GARANTIE - Gammes / FOURS TOASTER</small></p> | |

AVANTI ELECTRIC RANGE
MODEL: ER24P3SG

RATED VOLTAGE: 240V
RATED POWER:7.95 KW RATED
FREQUENCY: 60 Hz

IN THE EVENT OF SERVICE NEEDS,
CALL CUSTOMER HOTLINE
1 - 800 - 220 - 5570

2015-08-20




4009900
CONFORMS WITH
UL STD. 858
CERTIFIED TO CSA
STD C22.2 NO.61

AVANTI ELECTRIC RANGE
MODEL: ER20P3SG

RATED VOLTAGE: 240V
RATED POWER:7.95 KW RATED
FREQUENCY: 60 Hz

IN THE EVENT OF SERVICE NEEDS,
CALL CUSTOMER HOTLINE
1 - 800 - 220 - 5570

2015-08-20




4009900
CONFORMS WITH
UL STD. 858
CERTIFIED TO CSA
STD C22.2 NO.61

AVANTI ELECTRIC RANGE
MODEL: ER24P0WG

RATED VOLTAGE: 240V
RATED POWER:7.95 KW RATED
FREQUENCY: 60 Hz

IN THE EVENT OF SERVICE NEEDS,
CALL CUSTOMER HOTLINE
1 - 800 - 220 - 5570

2015-08-20




4009900
CONFORMS WITH
UL STD. 858
CERTIFIED TO CSA
STD C22.2 NO.61

AVANTI ELECTRIC RANGE
MODEL: ER20P0WG

RATED VOLTAGE: 240V
RATED POWER:7.95 KW RATED
FREQUENCY: 60 Hz

IN THE EVENT OF SERVICE NEEDS,
CALL CUSTOMER HOTLINE
1 - 800 - 220 - 5570

2015-08-20




4009900
CONFORMS WITH
UL STD. 858
CERTIFIED TO CSA
STD C22.2 NO.61

AVANTI ELECTRIC RANGE
MODEL: ER24P1BG

RATED VOLTAGE: 240V
RATED POWER:7.95 KW
RATED FREQUENCY: 60 Hz

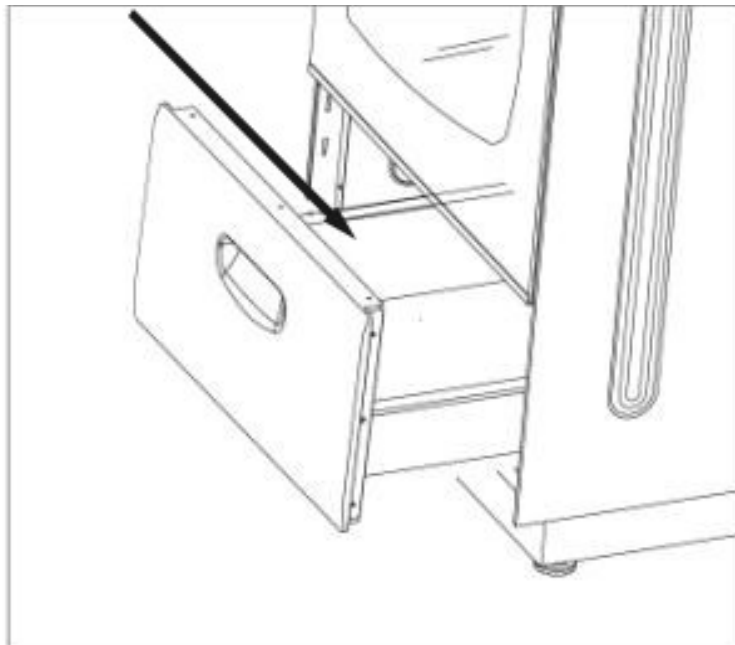
IN THE EVENT OF SERVICE NEEDS,
CALL CUSTOMER HOTLINE
1 - 800 - 220 - 5570

2015-08-20



4009900
CONFORMS WITH
UL STD. 858
CERTIFIED TO CSA
STD C22.2 NO.61

Rating label location



Registration Information

Thank you for purchasing this fine Avanti product. Please fill out this form and return it to the following address within 100 days from the date of purchase and receive these important benefits:

Avanti Products LLC
P.O.Box 520604 – Miami, Florida 33152

➤ **Protect your product:**

We will keep the model number and date of purchase of your new Avanti product on file to help you refer to this information in the event of an insurance claim such as fire or theft.

➤ **Promote better products:**

We value your input. Your responses will help us develop products designed to best meet your future needs.

------(detach here)-----

Avanti Registration Card

| | | |
|---|---|---------------------|
| Name | Model # | Serial # |
| Address | Date Purchased | Store / Dealer Name |
| City State Zip | E-mail Address | |
| Area Code Phone Number | Occupation | |
| Did You Purchase An Additional Warranty | As your Primary Residence, Do You: | |
| <input checked="" type="checkbox"/> Extended <input checked="" type="checkbox"/> None | <input checked="" type="checkbox"/> Own <input checked="" type="checkbox"/> Rent | |
| Reason for Choosing This Avanti Product: Please indicate the most important factors That influenced your decision to purchase this product: | Your Age: | |
| <input checked="" type="checkbox"/> Price <input checked="" type="checkbox"/> Product Features <input checked="" type="checkbox"/> Avanti Reputation <input checked="" type="checkbox"/> Product Quality <input checked="" type="checkbox"/> Salesperson Recommendation <input checked="" type="checkbox"/> Other: _____ <input checked="" type="checkbox"/> Friend / Relative Recommendation <input checked="" type="checkbox"/> Warranty <input checked="" type="checkbox"/> Other: _____ | <input checked="" type="checkbox"/> under 18 <input checked="" type="checkbox"/> 18-25 <input checked="" type="checkbox"/> 26-30 <input checked="" type="checkbox"/> 31-35 <input checked="" type="checkbox"/> 36-50 <input checked="" type="checkbox"/> over 50 | |
| Comments: | Marital Status: | |
| | <input checked="" type="checkbox"/> Married <input checked="" type="checkbox"/> Single | |
| | Is This Product Used In The: | |
| | <input checked="" type="checkbox"/> Home <input checked="" type="checkbox"/> Business | |
| | How Did You Learn About This Product: | |
| | <input checked="" type="checkbox"/> Advertising <input checked="" type="checkbox"/> In-Store Demo <input checked="" type="checkbox"/> Personal Demo | |
| | | |
| | | |

