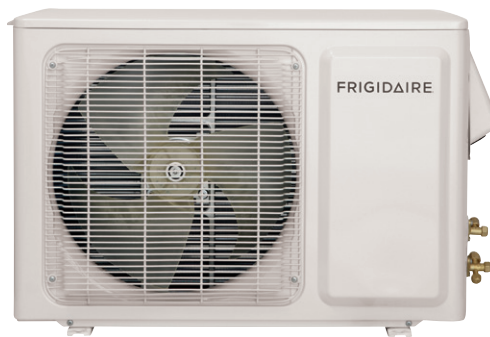
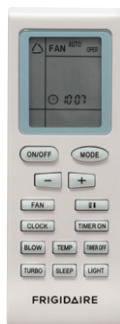


Home Comfort FFHP122SQ2

Ductless Mini-Split Air Conditioner/Heat Pump



FFHP122WQ2¹ Indoor



FFHP122CQ2¹ Outdoor

Product Dimensions Evaporator (Indoor) Model

| | |
|--------|----------|
| Height | 10-7/8" |
| Width | 33-5/16" |
| Depth | 7-1/8" |

Product Dimensions Condenser (Outdoor) Model

| | |
|--------|----------|
| Height | 23-1/4" |
| Width | 33-7/16" |
| Depth | 12-5/8" |

More Easy-To-Use Features

Multi-Speed Fan

Features three different fan speeds, for more cooling flexibility.

Effortless™ Restart

Automatically resumes operating at its previous settings when power is restored to your unit.

Effortless™ Clean Filter

Our antibacterial filter reduces bacteria, room odors and other airborne particles for a healthier, more comfortable environment.

Ready-Select® Controls

Easily select options with the touch of a button.

Electronic Controls

Allow you to set the comfort level to your preference, while a convenient temperature readout displays the set temperature.

Signature Features

Quick Cool & Quick Warm

When you need to cool down quickly or warm up faster, use the quick cool/warm mode to speed up the fan.

Programmable 24-Hour On/Off Timer

Customize times to fit your schedule for immediate comfort when you get home. The built-in timer allows you to preset the unit to turn on and off in half-hour increments.

Effortless™ Temperature Control

Our air conditioners maintain the preset room temperature, so you will remain comfortable at all times.

Sleep Mode

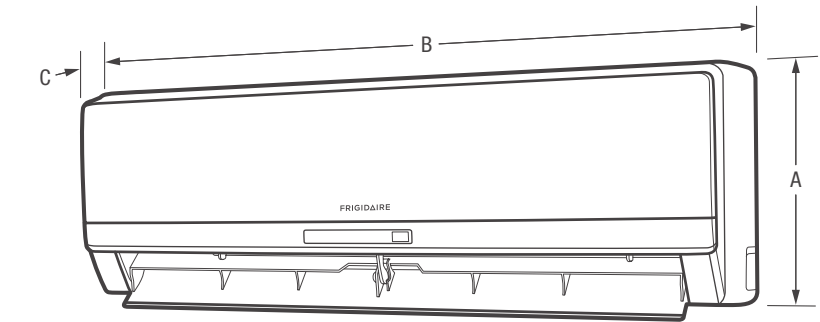
Maximum comfort throughout the evening hours with the added benefit of energy savings. With Sleep Mode, the temperature gradually increases a few degrees over the evening.

| Performance | BTUs |
|-------------|--------|
| Cool | 12,000 |
| Heat | 13,000 |

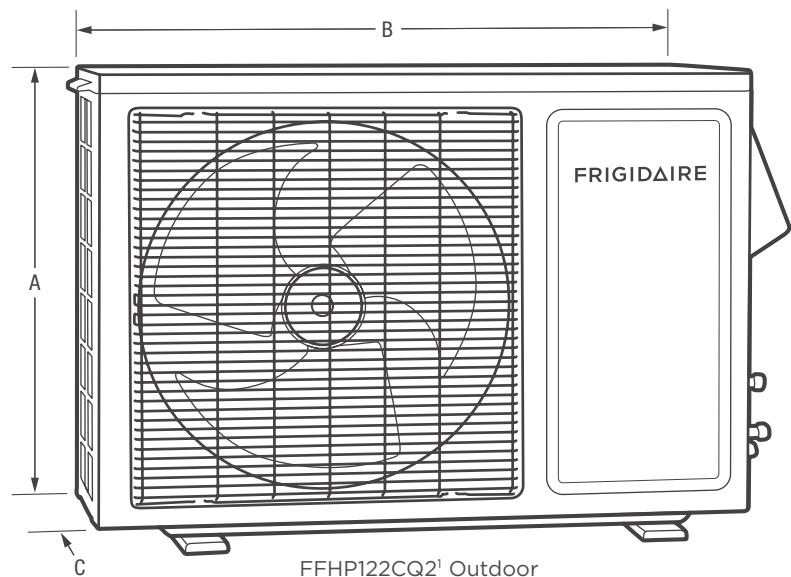
¹Photo may not represent actual model.

| Model Numbers | |
|---------------------------------------|------------------------|
| Set Model Number | FFHP122SQ2 |
| Indoor Unit Part Number | FFHP122WQ2 |
| Outdoor Unit Part Number ¹ | FFHP122CQ2 |
| Performance | |
| BTU (Cool) | 12,000 |
| BTU (Heat Pump) | 13,000 |
| Cooling Area (Sq. Ft.) | 550 |
| SEER (Air Conditioner) | 20.0 |
| HSPF (Heat Pump) | 9.2 |
| Inverter Technology | Yes |
| COP | 3.18 |
| Electrical | |
| Volts | 230V/208V |
| Min Circuit Ampacity | 10 A |
| Maximum Circuit Breaker | 15 A |
| Rated Amps (Cool) | 4.5 |
| Rated Watts (Cool) | 1,000 |
| Rated Amps (Heat) | 5.4 |
| Rated Watts (Heat) | 1,200 |
| Features | |
| Controls | Ready-Select® Controls |
| Fan Speeds (Cool/Fan/Heat) | 4/3/4 |
| Low Voltage Start-Up | Yes |
| Turbo Fan | Yes |
| Auto Fan | Yes |
| Energy Saver | |
| Sleep Mode | Yes |
| 24-Hour On/Off Timer | Yes |
| Remote Control | Full-Function |
| Air CFM (High/Med/Low) Indoor | (335/277/253) 217 |
| Air Direction Control (Vert./Horz.) | Swing/Manual |
| Air Discharge (Full-Width) | Bottom |
| Filter Type | Antimicrobial Mesh |
| Filter Access | Slide-Out |
| dB Indoor (Turbo)(High/Med/Low) | (44)(39/36/33) |
| dB Outdoor | 52 |
| Warranty ² | Yes |
| Included Accessories | |
| Drain Kit (Outdoor Unit) | Yes |
| Installation Plate (Indoor Unit) | Yes |
| Line Set Kit (Indoor Unit) | Yes |
| Remote Holder (Indoor Unit) | Yes |

¹Includes 25 ft. line set
²5 year parts only



FFHP122WQ2¹ Indoor



FFHP122CQ2¹ Outdoor

NOTE: For planning purposes only. Always consult local and national electric codes. Refer to Product Installation Guide for detailed installation instructions on the web at frigidaire.com.



| Product Dimensions | |
|--------------------|----------|
| Indoor - | |
| A - Height | 10-7/8" |
| B - Width | 33-5/16" |
| C - Depth | 7-1/8" |
| Outdoor - | |
| A - Height | 23-1/4" |
| B - Width | 33-7/16" |
| C - Depth | 12-5/8" |

¹Illustration may not represent actual model.

All refrigeration and electrical work must be performed by a certified and licensed refrigeration technician for parts warranty validation. Insulated line sets and control wires are required and available for Frigidaire split systems in 25 ft. length. Each line set is equipped with flare nuts on both ends. Each system requires one line set for each indoor unit installed.

Accessories information available on the web at frigidaire.com

Ductless Mini-Split System Air Conditioner/Heat Pump Submittal Sheet

FRIGIDAIRE

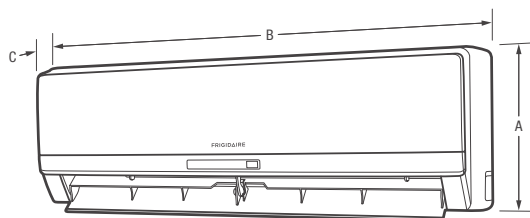
FFHP122SQ2

Job: _____ Reference: _____ Construction: _____
 Location: _____ Approval: _____ Unit Number: _____
 Engineer: _____ Date: _____ Drawing Number: _____
 Submitted to: _____ Submitted by: _____

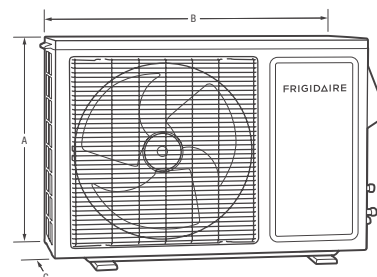
| Power | |
|-------------------------|----------------------|
| Min Circuit Ampacity | 10 A |
| Maximum Circuit Breaker | 15 A |
| Capacities | |
| Cooling | 12,000 BTU |
| Cooling Watts | 1,000 W |
| Min/Max Cooling | 3,100 BTU/13,000 BTU |
| Heatpump Capacity (BTU) | 13,000 BTU |
| HSPF | 9.2 |
| Outdoor Sound Rating | 52 dB (A) |
| SEER | 20.0 |
| EER | 12.0 |
| Low Ambient Cooling | -5° - 110°F |
| Low Ambient Heating | 5¢ 75 |
| Voltage/Frequency/Phase | 230/208/60Hz |
| Dehumidification | 2.9 PT/H |

| Indoor Unit | FFHP122WQ2 |
|--------------------------|-----------------------------|
| Dimensions (H x W x D) | 10-7/8" X 33-5/16" X 7-1/8" |
| Max. Wall Thickness | 18" |
| Sound Rating | (44)/39/36/33 |
| Net Weight | 22 lb |
| Shipping Weight | 29 lb |
| Fan Motor Load | .2 A |
| Number of Fan Speeds | 4 |
| Fan Type | Cross-flow |
| RPM at High Speed (cool) | 1,330 RPM |
| Coil Type | aluminum fin & copper tube |
| Fin Type | coated fin |
| Pipe Type | copper internal thread |
| Fin Rows (FPI) | 2 |
| Tube Diameter | ¢ 7mm (9/32") |
| Drain Connection Size | ¢ 16mm (5/8") |
| Compressor | |
| Compressor Type | Twin Rotary |
| Compressory Control | DC Inverter |
| Compressor Load | 6.47 A |
| Locked Rotor Amps | 13.8 A |

| Outdoor Unit | FFHP122CQ2 |
|---------------------------------------|------------------------------|
| Dimensions (H x W x D) | 23-1/4" X 33-7/16" X 12-5/8" |
| Sound Rating | 52 dB (A) |
| Net Weight | 89 lb |
| Shipping Weight | 97 lb |
| Fan Motor Load | .14 A |
| Drive Type | inverter |
| CFM (high) | 1,600 |
| Fan Type | Axial-flow |
| Fan Diameter/Number of Speeds | 15-3/4"/2 |
| Number of Poles and RPM | DC/680/900 |
| Coil Type | aluminum fin & copper tube |
| Fin Type | coated fin |
| Pipe Type | copper internal thread |
| Fin Rows (FPI) | 2 |
| Tube Size | ¢ 9.52mm (3/8") |
| Features | |
| Controls | microprocessor |
| Remote Control | lcd wireless |
| Temperature Control | 61-86°F (16-30°C) |
| Timer | 24 hr |
| Air Louvers | 2 pieces |
| Horizontal | manual |
| Vertical | swing |
| Low Voltage Restart | built-in |
| Self-Diagnosis | yes |
| Air Filter | washable, anti-mold |
| Refrigerant System | |
| Refrigerant | R410A |
| Ounces | 45.86 |
| Lineset | 25 ft |
| Maximum Height | 33 ft |
| Maximum Line Length | 66 ft |
| Discharge Vapor Line (od) | 6 mm (1/4") |
| Suction (od) | 9 mm (3/8") |
| Operating Range | |
| Indoor Air Cooling Intake Temp Range | >= 61°F |
| Indoor Air Heating Intake Temp Range | <= 86°F |
| Outdoor Air Cooling Intake Temp Range | -5¢ 110°F |
| Outdoor Air Heating Intake Temp Range | -5¢ 75°F |



FFHP122WQ2¹ Indoor



FFHP122CQ2¹ Outdoor

¹Illustration may not represent actual model.

FRIGIDAIRE

USA • 10200 David Taylor Drive • Charlotte, NC 28262 • 1-800-FRIGIDAIRE • frigidaire.com
 CANADA • 5855 Terry Fox Way • Mississauga, ON L5V 3E4 • 1-800-265-8352 • frigidaire.ca

FFHP122SQ2 02/16

© 2016 Electrolux Home Products, Inc.



Specifications
subject to change.