



FRIGIDAIRE

Factory Parts Catalog

Product No.	FGID2479SF0A
Series	91199003000
Color	stainless
Owner's Guide English	117886650
Owner's Guide Spanish	117886660
Owner's Guide French	117886640
Service Data Sheet	808936686
Energy Guide	808936691
Installation Instructions	808936695
Market	North America

Frigidaire

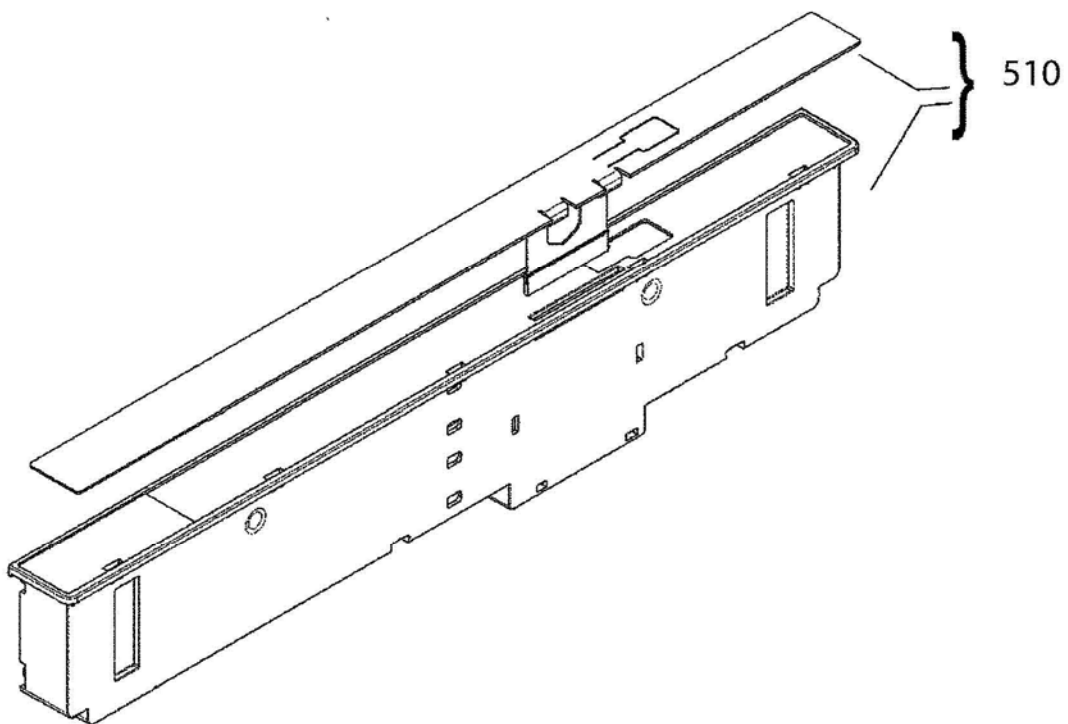
P.O. BOX 8020
CHARLOTTE, NC 28262

Publication No.
5995683082
17/01/10
(EN/SERVICE/ECL)
821

24-INCH BUILT-IN DISHWASHER

Model No.
FGID2479S

CONTROL PANEL

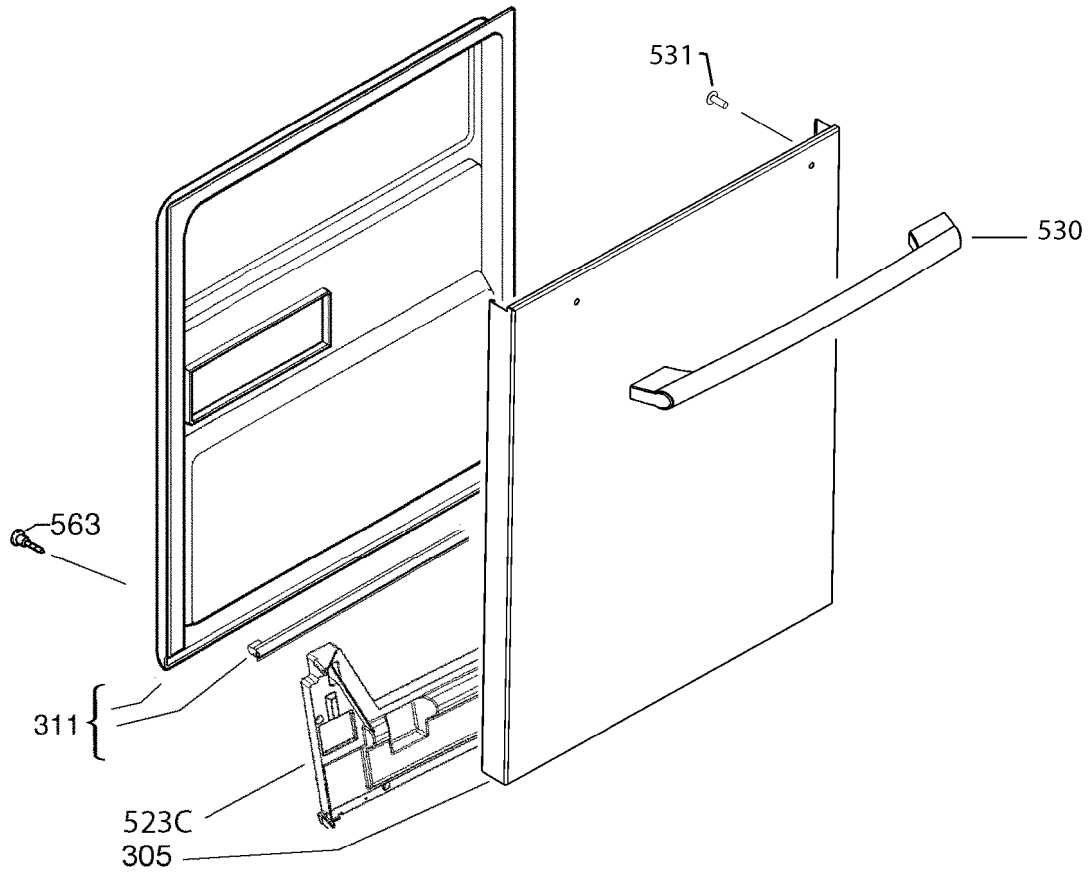


P09113178986

CONTROL PANEL

POS. NO	PART NO.	DESCRIPTION
510#	117494801	Control Panel, assembly, black, complete

DOOR

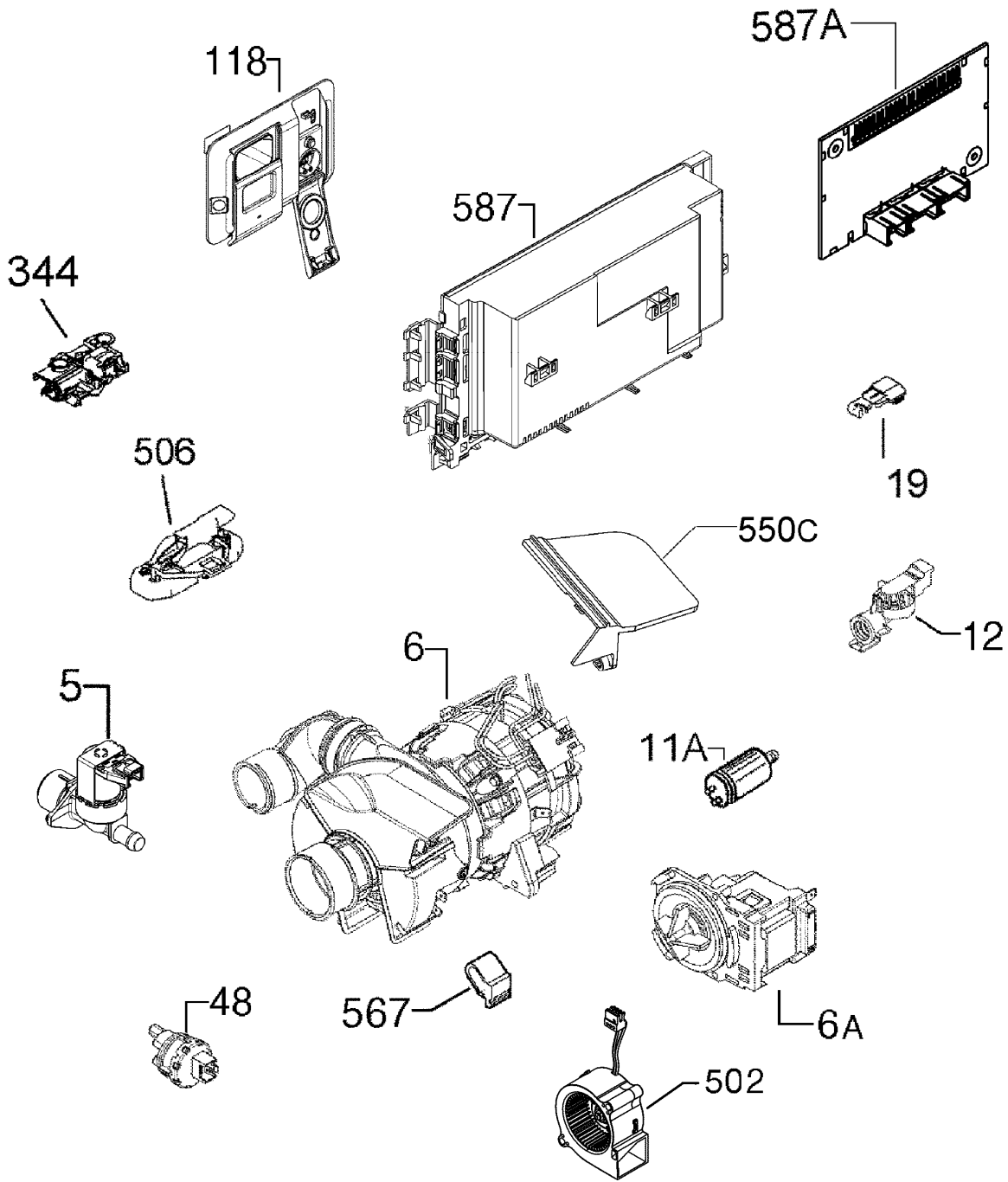


P09113215984

DOOR

POS. NO	PART NO.	DESCRIPTION
305	117495101	Outer Door, stainless
311	A00010702	Liner, door
523C	807194801	Support, kickplate
530	154724905	Handle, towel bar, stainless
531	405537692	Screw, door handle, M4 x 10mm PH
563	405535304	Screw, kit, 6x3/5x13+6x4, door, 2x1
*	405530675	Plate, door handle, (2)
*	405530684	Nut, door handle, (2)
*	405530674	Screw, kickplate, 3-5 x 9, (2)

ELECTRICAL PARTS

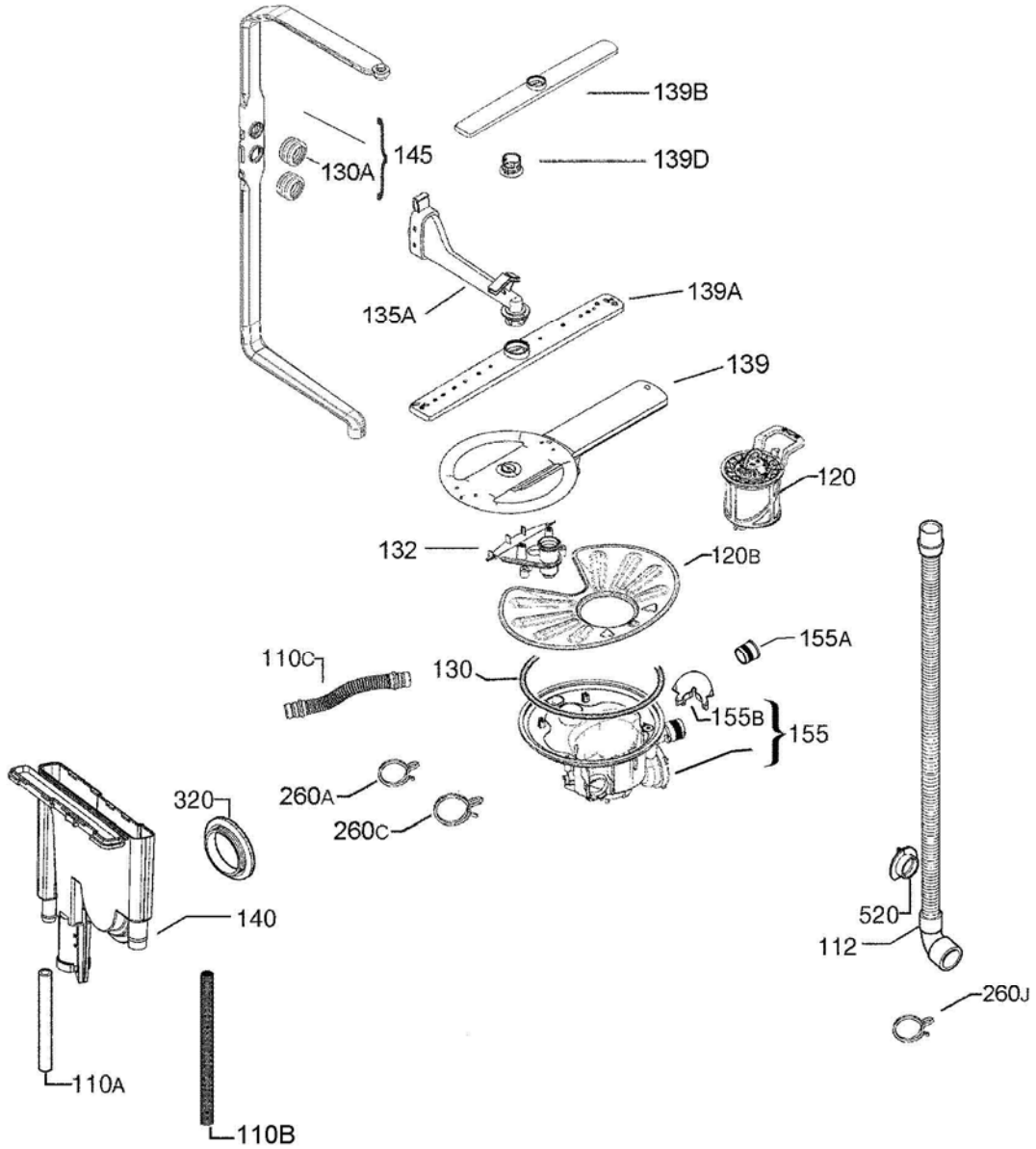


P09113217144

ELECTRICAL PARTS

POS. NO	PART NO.	DESCRIPTION
5 #	807445904	Valve, fill
6 #	A00210627	Pump, circulation, complete, 120V, w/heater
6A #	A00044305	Drain Pump, 60HZ
11A#	A00194401	Capacitor, motor, 8 uF
12 #	A00055406	Switch, pressure
19 #	117452801	Lamp, door indicator
48 #	A00040101	Sensor, turbidity
118#	A00130305	Dispenser, detergent
344#	111315040	Door Lock, assembly
502#	A05660401	Blower Assembly, radial
506#	A00056504	Switch Assembly, float
550C	808089001	Cover, motor, drip protection
567	117193401	Buffer, motor bracket, rubber
587#	117499430	Control Assembly, configured, PB200
587A	A06115601	Board, use interface, UI2491
* #	A05193103	Harness, wiring, pcb, main
* #	A00233006	Harness, wiring, pcb, door
* #	807556302	Harness, wiring, pcb, heater

WASH SYSTEM

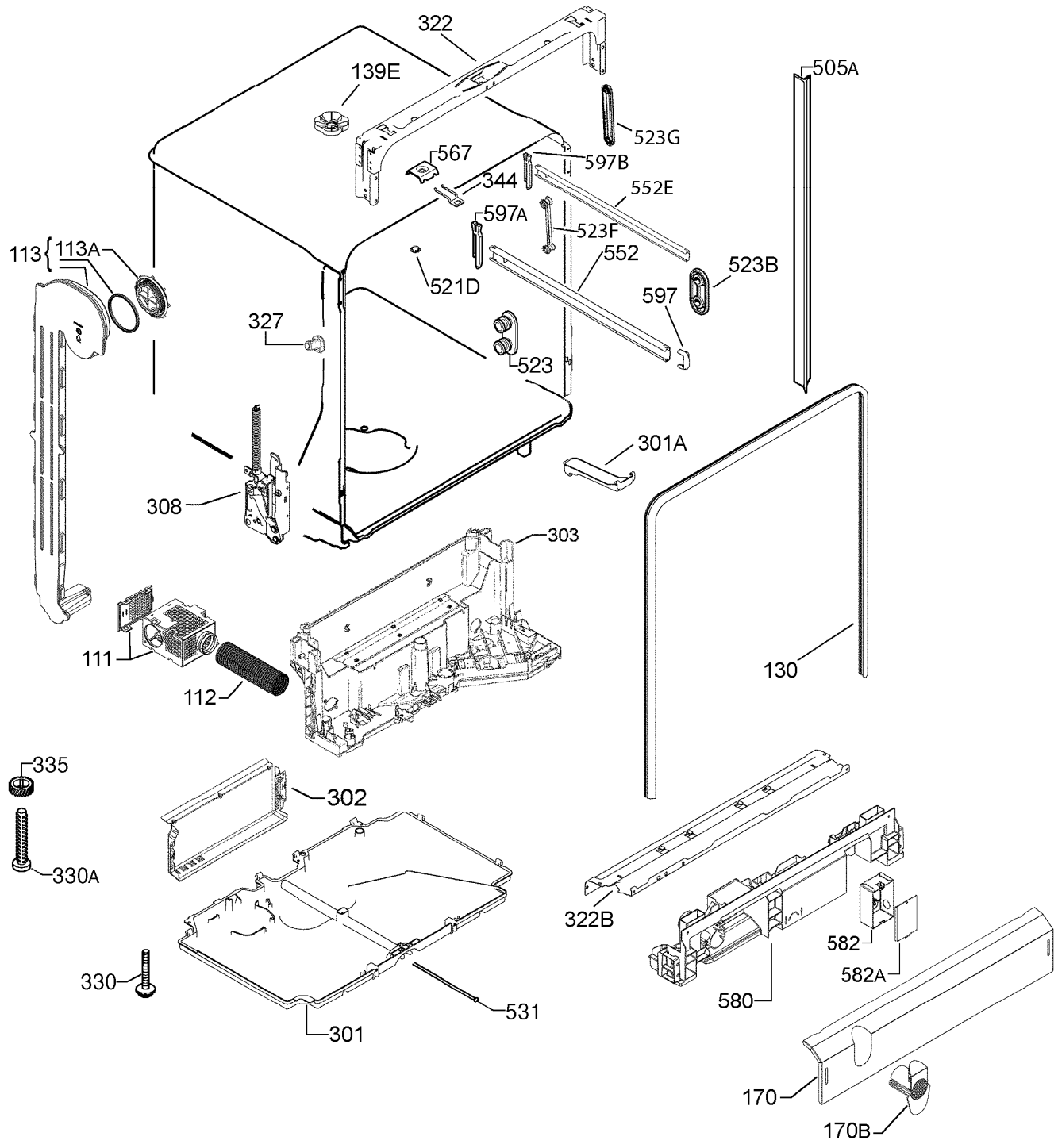


P09113195873

WASH SYSTEM

POS. NO	PART NO.	DESCRIPTION
110A	807526501	Tubing, container cup, to fill valve
110B	117281425	Hose, water tank, L=380 mm, basement
110C	A01256402	Hose, sump, L=361 mm, water tank
112	807032601	Hose, drain
120	A00201402	Drain Filter, assembly, w/glass trap
120B	808429704	Filter, flat, indicator
130	111918600	O-ring, sump
130A	A00045701	Seal, channel, drainage
132	111915817	Support, spray arm, lower
135A	A00060301	Duct, grey
139	111920832	Spray arm, lower, grey/blue
139A	A05814601	Spray arm, middle, dark grey
139B	807382106	Spray arm, grey, upper
139D	807035801	Bearing, spray arm, upper
140	A01087405	Water Tank, small
145	A00023201	Manifold, delivery tube, inner
155#	A00049441	Sump Assembly, water
155A	A00053601	Flapper, valve, D23, 2mm, water sump
155B	111917701	Screen, sump
260A	807868902	Clamp, pump, flow regulator
260C	807868903	Clamp, pump, sump
260J	807868901	Clamp, drain hose
320	152627221	Grill, vapor outlet, dark grey
520	807201901	Flange, discharge hose
*	405530686	Screw, sump, 4 x 15, (4), & spray arm

TUB & FRAME

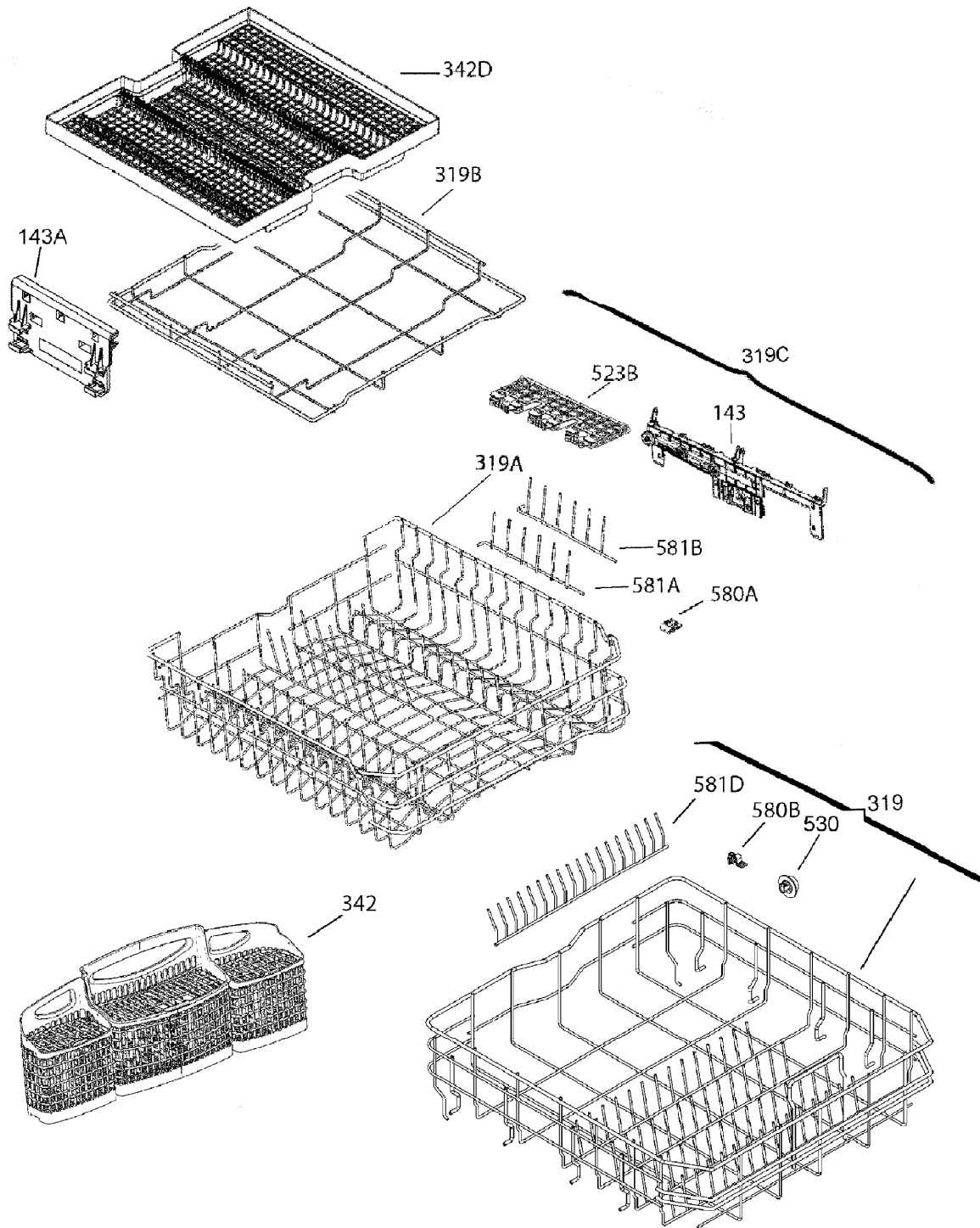


P09113215980

TUB & FRAME

POS. NO	PART NO.	DESCRIPTION
111	5304509259	Housing Assembly, ventilator, complete
112	A05660501	Hose, air channel
113	405537600	Air duct, assembly, drying
113A	A06525801	Outlet, ventilation, dark grey, tub
130	117158011	Seal, door
139E	807240301	Nut, spray arm, upper
170	405537597	Insulation Kit, kickplate
170B	A05936001	Outlet, ventilation, kickplate
301	807104203	Tray, bottom
301A	405513837	Overflow hose, kit
302	A00075002	Cover, electronics
303	A01868606	Base, lower, rear
308	405517992	Hinge Assembly, kit, RH and LH
322	A00166801	Crossbar, front, zinc, top
322B	117156109	Cross Piece, front, bottom
327	117427700	Clip, rivet
330	117368700	Foot, adjustable, front
330A	117363200	Foot, adjustable, central
335	152714200	Cog, wheel
344	152234405	Latch
505A	808470401	Trim, side, L=648mm
521D	152657610	Plug, latch hole
523	405526079	Roller Assembly, kit, tub
523B	152122010	Holder, roller, stiffening
523F	405526164	Roller Kit, tub, top LH-RH
523G	A00204701	Holder, stiffening, top, roller
531	A00021003	Screw, foot adjusting, central
552	A00212701	Rail, upper rack
552E	807085001	Rail, top rack
567	152323603	Bracket, latch
580	A04472903	Cover, bottom, front
582	A03987801	Box, junction
582A	A03337103	Cover, junction box
597	152047941	Stop, rack rail, dark grey, front
597A	646123406	Stop, rack rail, dark grey, rear
597B	807070701	Stop, rack, rear, top rack
*	405531515	Mounting Kit, built-in, w/screws, & brackets
*	405530687	Screw, holder, (8), & roller

RACKS

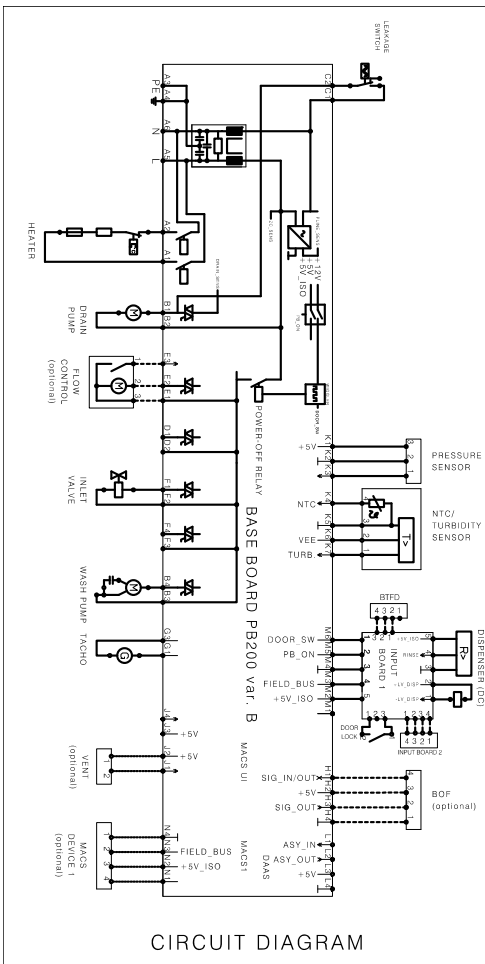


P09113217153

RACKS

POS. NO	PART NO.	DESCRIPTION
143	808092517	Adjustment, upper rack, LH
143	808092518	Adjustment, upper rack, RH
143A	A00008103	Holder, basket, grey, top
319	A06629603	Rack Assembly, lower, silver
319A	A00239833	Rack Assembly, upper, silver
319B	A00004305	Rack, top, silver
319C	117492580	Rack Assembly, complete, silver, upper, w/adjustments
342	A00173206	Cutlery Basket, assembly, grey
342D	A02899201	Basket, Cutlery, grey, shelf
523B	808124102	Shelf, cup, grey
530	405507213	Rack Roller, kit, lower
580A	A00141702	Fixing Clamp, partition, upper
580B	807282902	Clip, partition, lower rack
581A	A00237001	Partition, upper rack, LH
581B	807077101	Partition, upper rack, RH
581D	A06542001	Partition, lower rack

WIRING DIAGRAM



WIRE COLOR

Color	Code
Black	00
Brown	01
Blue	02
White	03
Red	04
Purple/White	05
Green/White	06
Grey	07
White/Black	08
White/Blue	09
White/Red	10

NOTE: = Component is currently not in use
 (00B) = Component is optional

Connections Included in Wireharness

Wireharness	Connection	Wirecolor	Wirelength	Wireharness	Wirecolor	Wirelength
A	NET	00/00	0	NET	00/00	0
A	TUB	00/00	0	TUB	00/00	0
A	WASH PUMP	00/00	0	WASH PUMP	00/00	0
A	HEATER	00/00	0	HEATER	00/00	0
A	PB200	00/00	0	PB200	00/00	0
A	PCB COVER	00/00	0	PCB COVER	00/00	0
A	JBOX	00/00	0	JBOX	00/00	0
A	HEATER	00/00	0	HEATER	00/00	0
A	DOOR	00/00	0	DOOR	00/00	0
B	OPERATOR 1	Standard	Standard	OPERATOR 1	Standard	Standard
B	OPERATOR 2	Standard	Standard	OPERATOR 2	Standard	Standard
B	OPERATOR 3	Standard	Standard	OPERATOR 3	Standard	Standard
B	OPERATOR 4	Standard	Standard	OPERATOR 4	Standard	Standard
B	OPERATOR 5	Standard	Standard	OPERATOR 5	Standard	Standard
B	OPERATOR 6	Standard	Standard	OPERATOR 6	Standard </tr	

