



# FRIGIDAIRE

## Factory Parts Catalog

Product No.	FGID2466QD0A
Series	Built-in 24"
Color	dark stainless
Owner's Guide English	A05788501
Owner's Guide Spanish	A05788503
Owner's Guide French	A05788502
Service Data Sheet	808463501
Energy Guide	808612219
Installation Instructions	154427301
Market	North America

### **Frigidaire**

P.O. BOX 8020  
CHARLOTTE, NC 28262

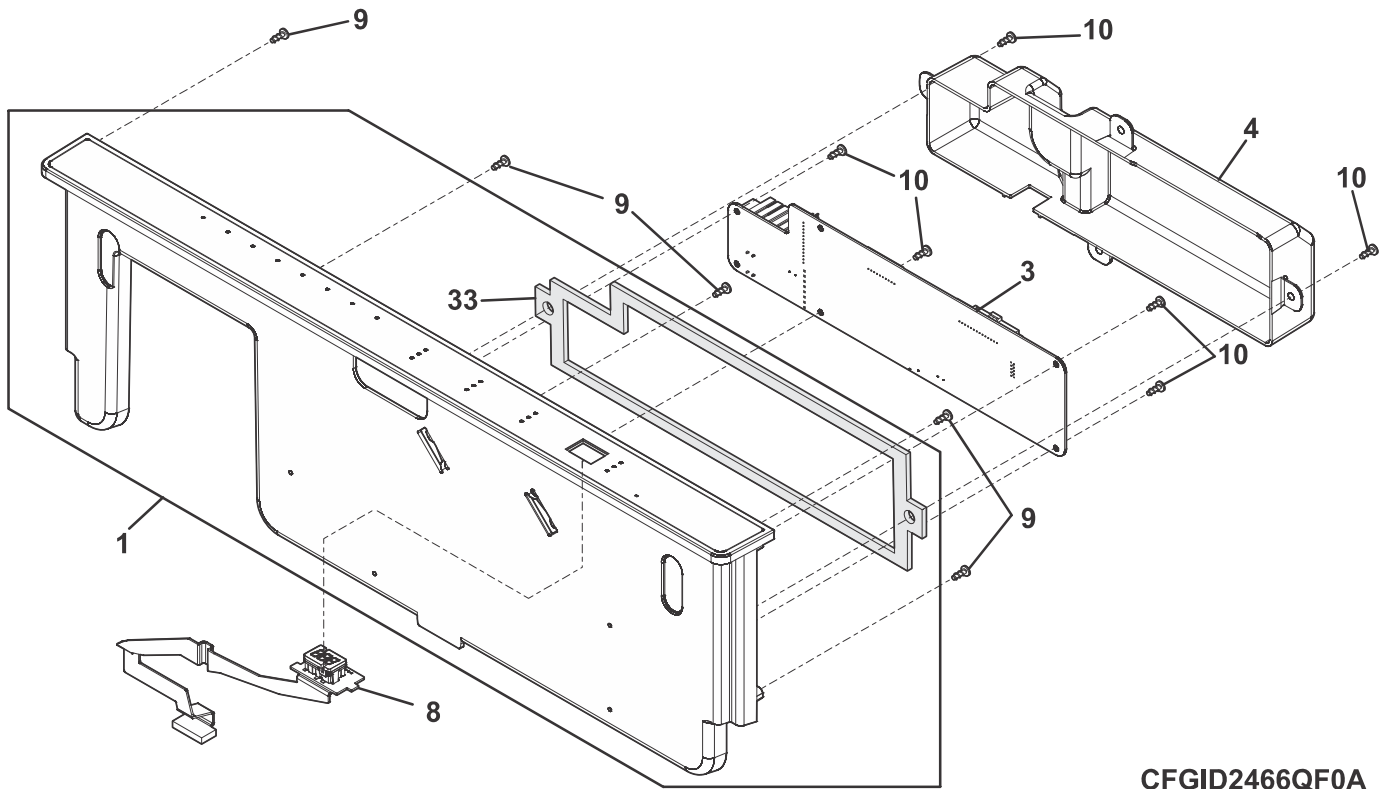
Publication No.  
**5995684957**  
17/02/23  
(EN/SERVICE/ECL)  
821

### **24-INCH BUILT-IN DISHWASHER**

Model No.  
**FGID2466Q**

**CONTROL PANEL**

---



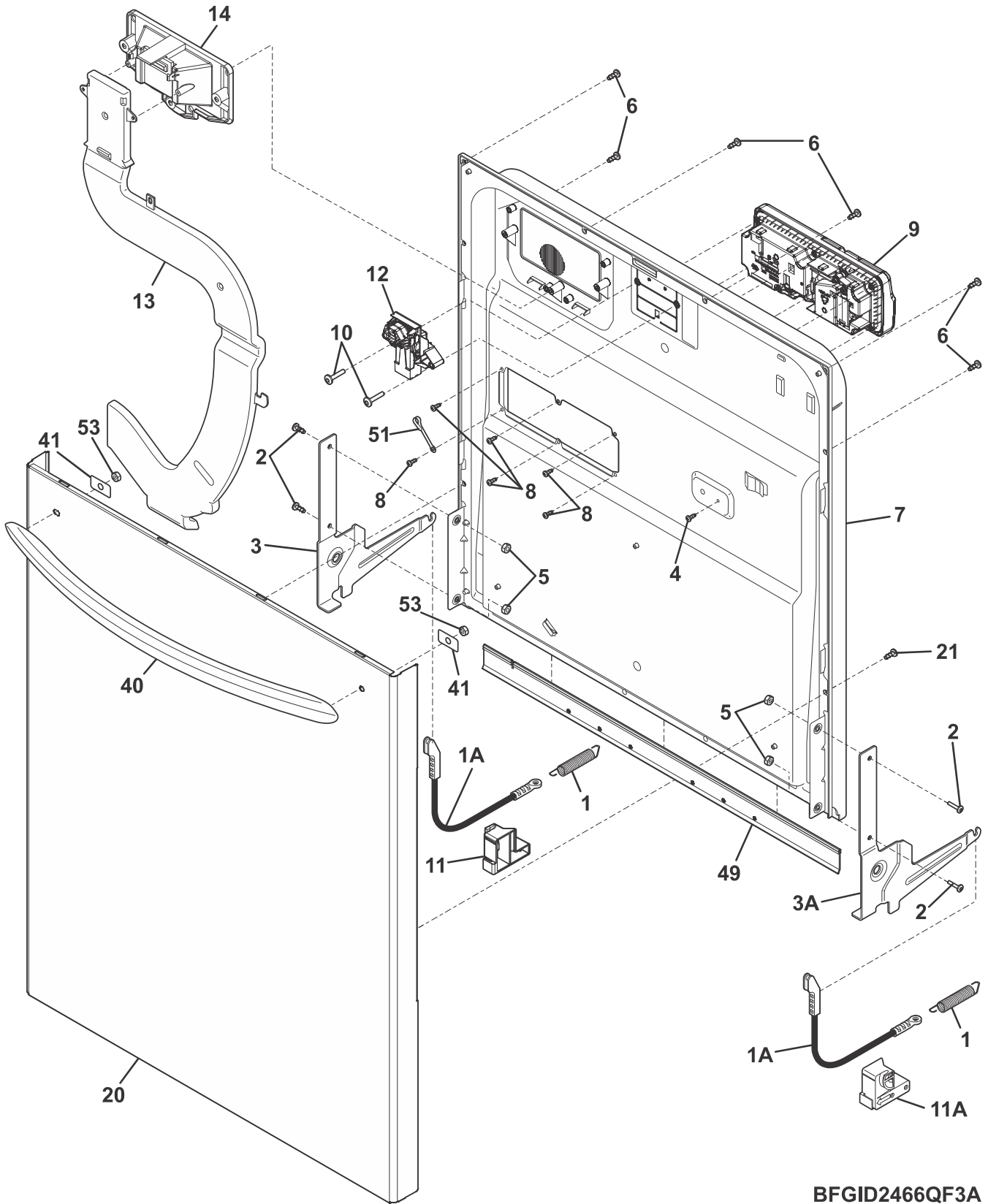
CFGID2466QF0A

**CONTROL PANEL**

---

POS. NO	PART NO.	DESCRIPTION
1 #	5304506663	Console Assembly, w/overlay, black, & cover gasket
3 #	5304506317	Board, control
4	808950401	Cover, control
8 #	807144701	Display Assembly
9	154783101	Screw, PLT, 8-10
10	154294701	Screw, #7 plas .375, (6), disp. assy.
33	154478901	Gasket, cover
* #	154870101	Harness, wiring, main
*	808612219	Energy Guide

**DOOR**



**BFGID2466QF3A**

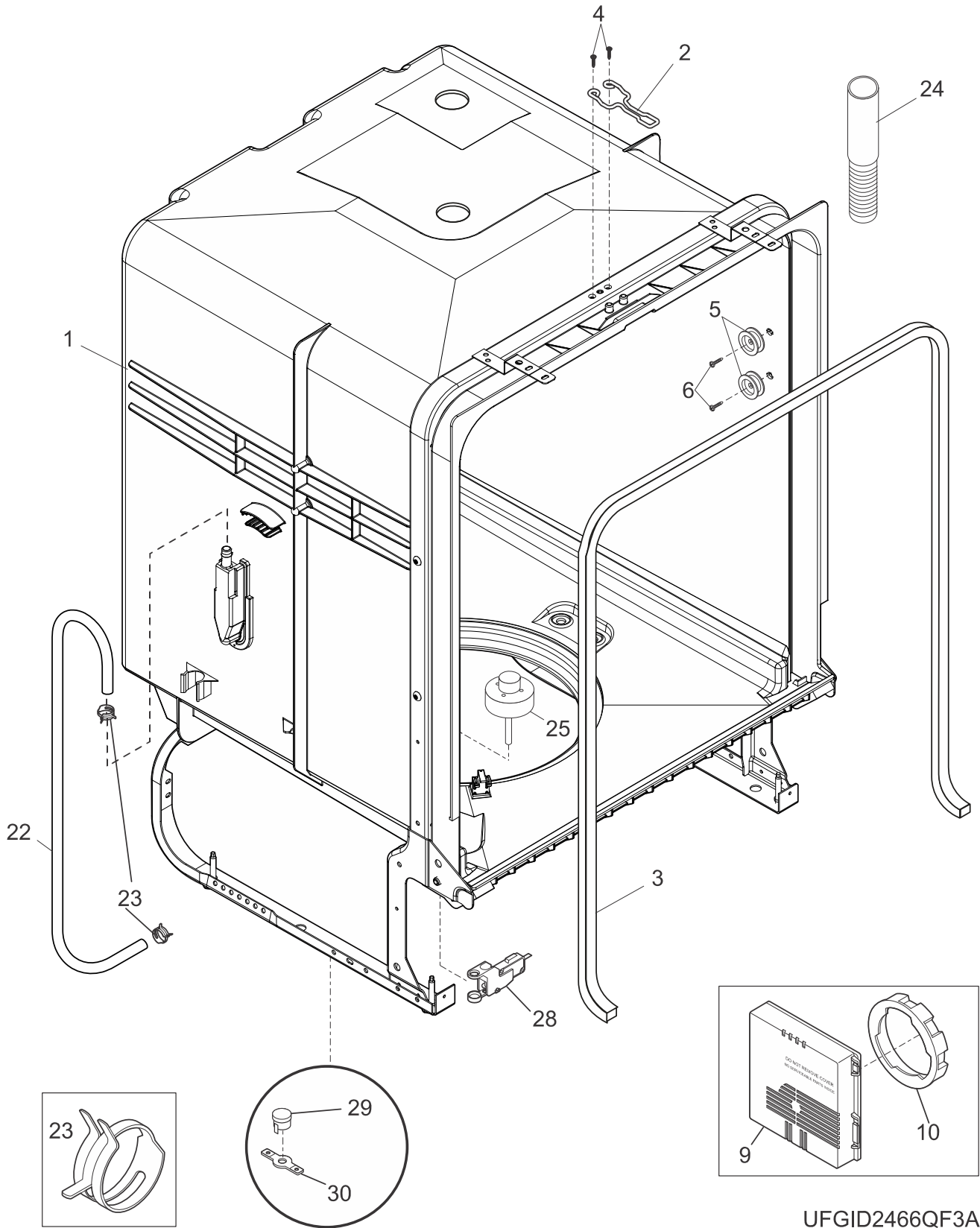
---

**DOOR**


---

POS. NO	PART NO.	DESCRIPTION
1	154579101	Spring, friction pulley, (2)
1A	154578801	Cable, friction pulley, (2)
2	154093301	Screw, arm assy, (4)
3	154691201	Arm Assy, LH
3A	154691101	Arm Assy, RH
*	154647101	Hinge Pin, arm assy
*	154686401	Bearing, hinge pin
4	154825401	Screw, hex hd, 8-18 x .4, w/washer
5	154079601	Nut, arm assy, and handle mtg.
6	154783101	Screw, PLT, 8-10
7	5304496934	Liner, door assembly, dark grey, complete
8	154294701	Screw, #7 plas .375, (6), disp. assy.
9 #	5304506521	Dispenser, det/rinse aid, w/level ind.
9*	154719301	Shield, dispenser assy
10	154103702	Screw, latch mtg, (2)
11	154579201	Pulley, friction, LH
11A	154579202	Pulley, friction, RH
12 #	154722401	Latch Assembly, door
13	154755801	Duct Assembly, vent, w/tape
14	154784401	Vent assy, dry, w/gaskets
14*	154793401	Screw, dry duct, (3)
20	5304510159	Door Assembly, w/insulation, dark stainless
20*	154253201	Insulation, door
21	154754701	Screw, truss hd, 8-18 type AB
40	154724906	Handle, towel bar, dark stainless
41	154760101	Bracket, handle support, (2)
49	5304500204	Gasket, door, bottom
51	154320301	Clamp, drip loop, wire
53	154425001	Nut, Keps, (2), handle mtg.

TUB



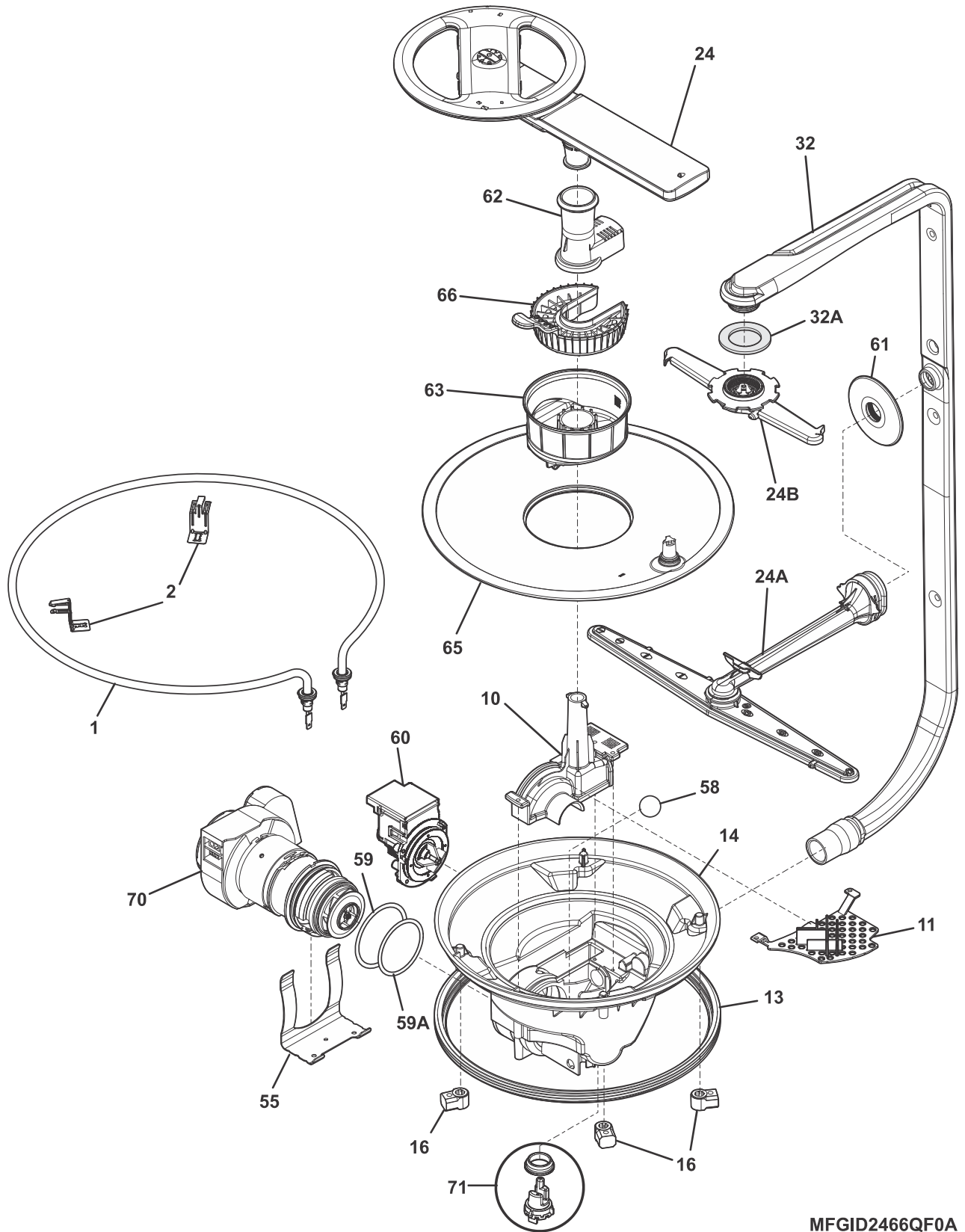
UFGID2466QF3A

## TUB

---

POS. NO	PART NO.	DESCRIPTION
1	5304502973	Tub assy, w/frame parts, grey DF, & vent hole
2	5304502435	Strike, door
3 #	154827601	Gasket, tub
4	808326801	Screw, hex head, 8-18 x .400, (2)
5	154767502	Roller Assembly, tub, (8), w/screw-washer
6	5303943103	Screw, w/washer, (8)
9 #	154861101	Vent assy, blower
9*	154691601	Cover, connector, vent assy
10	154562902	Bezel, vent, gray
22	154446002	Tubing, water inlet
23	5303318539	Clamp, tubing, (2)
24	807117001	Hose, drain
*	154380601	Clamp, hose, 1.5" open, worm gear, (5)
25	5304506520	Float
28 #	154773201	Switch Assy, float
29 #	154642901	Thermostat, hi limit
30	154241101	Retainer, thermostat
30*	154297701	Screw, retainer-thermo
*	5304500768	Insualtion, blanket
*	154406801	Bracket Kit, countertop mtg, w/scrws & instr
*	154041001	Screw, plask #1, 10-10 x 9/16
*	5300807270	Screw, (2), countertop mtg.

MOTOR & PUMP



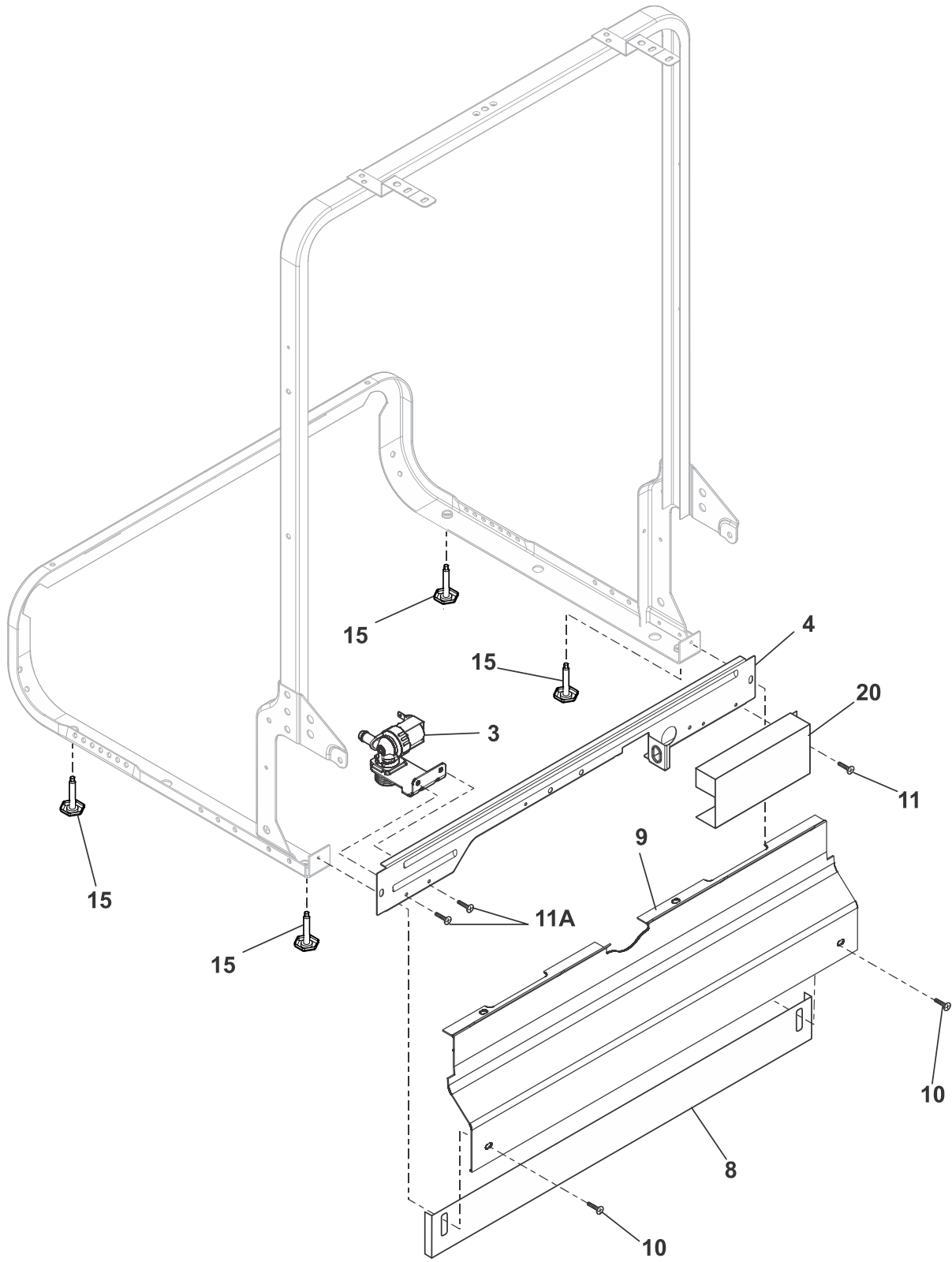
MFGID2466QF0A



**MOTOR & PUMP**

POS. NO	PART NO.	DESCRIPTION
1 #	154825001	Heater, round
1*	154289801	Shield, heater terminal
1*	154106202	Nut, heater, (2)
2	154465101	Bracket, heater, (2)
10	807145201	Cover, volute
*	154783101	Screw, PLT, 8-10
11	807111601	Plate, pump inlet
13	154246801	Gasket, sump
14	154723801	Sump Assembly
16	154246502	Retainer, sump
16*	154754901	Screw, sump mtg, 8-16, (4)
24 #	5304507158	Spray arm, assembly, ocean blue, lower, Orbit Clean
24A#	5304506740	Spray arm, center
24B#	5304506516	Spray arm, assembly, upper
32	5304507087	Tube, delivery
32*	154106801	Clamp, hose, 1.29" open, worm gear, (2)
32*	154491101	Screw, delivery tube
32A	154406401	Gasket, delivery tube
55	154595901	Bracket, motor
55*	154779601	Screw, PH, 8-10, (2)
58	154246402	Check ball
59	154246901	O-ring, rear
59A	154247001	O-ring, front
60 #	5304492415	Drain Pump Assy
60*	807048001	Flapper, valve
60*	154741501	Screw, drain motor mtg, (3)
61	5304506517	Grommet, delivery tube
62	5304506515	Support, spray arm, lower
63	5304506533	Base, soil director
65	154283005	Filter Assy, grey
66	5304506518	Trap, glass
70 #	154853801	Motor & Pump Assy, variable speed
71 #	154762601	Sensor, turbidity, snap-in, w/seal

**FRAME**



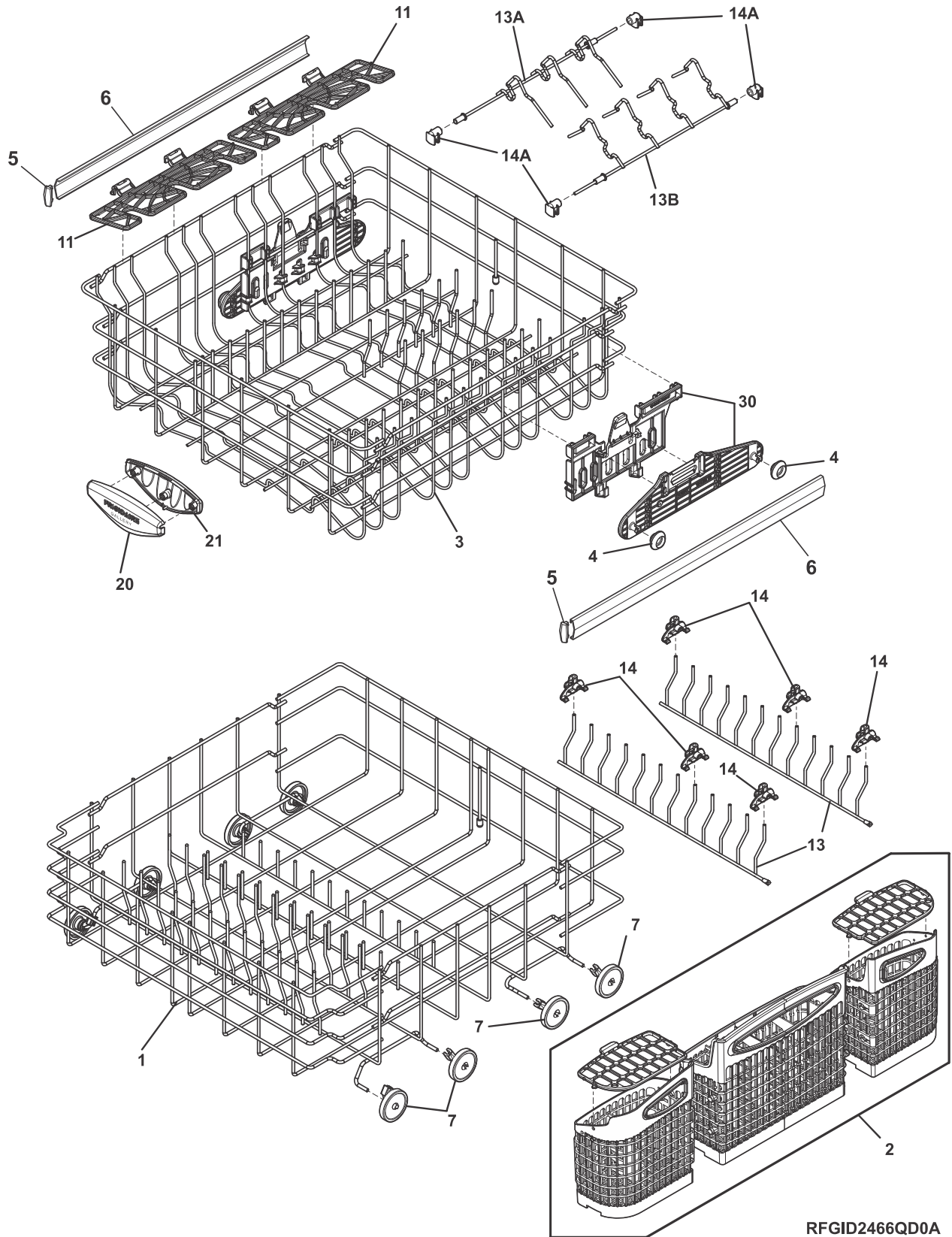
**FFFBD2406NB6A**

**FRAME**

---

POS. NO	PART NO.	DESCRIPTION
3 #	807047901	Valve, water
3*	154106801	Clamp, hose, 1.29" open, worm gear, (2)
4	5304508587	Brace, front frame
8	154745503	Toeplate, adjustable, black
9	5304501484	Kickplate Assy, PVC, black, w/label
9*	5304501485	Insulation, kickplate
10	154754801	Screw, toeplate mtg, 8-18 AB hex hd, black, (2)
11	154200701	Screw, #10-32 x 3/8
11A	154825401	Screw, hex hd, 8-18 x .4, w/washer
15	5304506540	Leg, leveling, 1/4-20
20	154758501	Cover, junction box, w/label
*	154041001	Screw, plask #1, 10-10 x 9/16

### RACKS



## RACKS

---

POS. NO	PART NO.	DESCRIPTION
1	808602402	Rack Assembly, lower, silver
2	5304506522	Basket Assembly, silverware, w/2 lids
3	5304498205	Rack Assembly, upper
4	154494502	Wheel assy., upper rack, (4)
4	5304507440	Wheel assy., upper rack, (4)
5	5304506510	Cap, rack slide
6	154597801	Slide, rack, upper, (2)
7	154174503	Wheel & bracket assy, grey, lower rack, (8)
11	5304506507	Cup Shelf, stemware
13	5304507394	Fence, fold down, lower rack, (2), full length
13A	5304506534	Fence, multi, 3 wire, grey, LH
13B	5304506535	Fence, multi, 4 wire, grey, RH
14	5304507395	Bracket, fold down fence, lower rack, (6)
14A	5304506508	Bracket, multifence, upper rack
20	5304506509	Handle, front, upper rack
21	5304504913	Handle, rear, upper rack
30	5304506530	Rack Adjustment, assembly, grey, RH, w/rollers
30*	5304506531	Rack Adjustment, assembly, grey, LH, w/rollers

### WIRING DIAGRAM

