



2016 HOME APPLIANCE CATALOG



Every day, care.TM

Every meal you cook, every dish you wash, every shirt you clean—that's caring. And every act of care you give, day in and day out, helps the people you love become people who love. That's why at Whirlpool, we believe that helping you care for the ones you love is the most important thing we can do.



Whirlpool®





Whirlpool
Corporation
Cycle Operation



Investing in the U.S.

For over a century, Whirlpool Corporation has been helping America's families care for each other. It starts by investing in the thousands of employees working in our headquarters here in the U.S. and our nine U.S. manufacturing sites. We're proud to employ more appliance manufacturing employees in the U.S. than any of our major competitors.



Caring for our communities

Whirlpool brand is dedicated to helping families thrive. That's why we support the efforts of Habitat for Humanity® to provide affordable housing and have donated a range and a refrigerator to every Habitat for Humanity® home built in North America since 1999.







Care for your clothes, whether you're home or away

Our smart top load laundry pair and mobile app* help you care for your family. Learn more on pages 36 and 44.



WTW8700E

WE/GD8700E



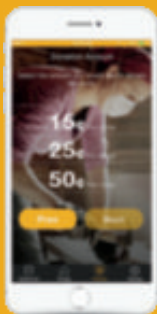
Remotely start cycles and receive push notifications when they're done



Customize your care with specialty cycles, available as free downloads



Integrate with your Nest Learning Thermostat to help save energy with the dryer**



When you care for your family, you can care for others

Our mobile app with the Connect to care™ program allows you to make a donation to help families in need each time you wash a load of laundry.*

*Requires WiFi and account creation. App features and functionality subject to change. Subject to terms of service available at whirlpool.com/connect. Data rates may apply. **Savings may vary across load type or cycle.

Leading the way with innovation

Inspired by the way families care for each other, these smart, sustainable appliances are all CES Innovation Award Honorees.



2016 HONOREE IN
TECH FOR A BETTER WORLD



2015 HONOREE IN
SMART HOME

Our smart top load washer and dryer* help you care for families in need and do laundry at home or away.

WTW8700E & WE/GD8700E

Learn more on pages 36 and 44.



2016 HONOREE IN
ECO-DESIGN & SUSTAINABLE TECHNOLOGIES

The shallow-depth fit of this front load washer allows for more flexible installation in your laundry space.**

WFW9290F

Learn more on page 21.



The CES Innovation Awards are based upon descriptive materials submitted to the judges. CEA did not verify the accuracy of any submission or of any claims made and did not test the item to which the award was given.



2016 HONOREE IN
SMART HOME†



2016 HONOREE IN
HOME APPLIANCES

Our pantry-inspired layout with a unique shelving system makes these the industry's easiest refrigerators to organize.††

WRF992FIF, WRF993FIF & WRF995FIF

Learn more on pages 79 through 81.



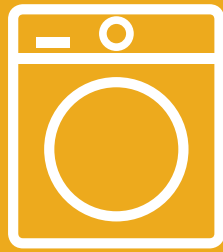
2016 HONOREE IN
HOME APPLIANCES

Our combination wall oven uses True convection cooking to brown and cook recipes faster.‡

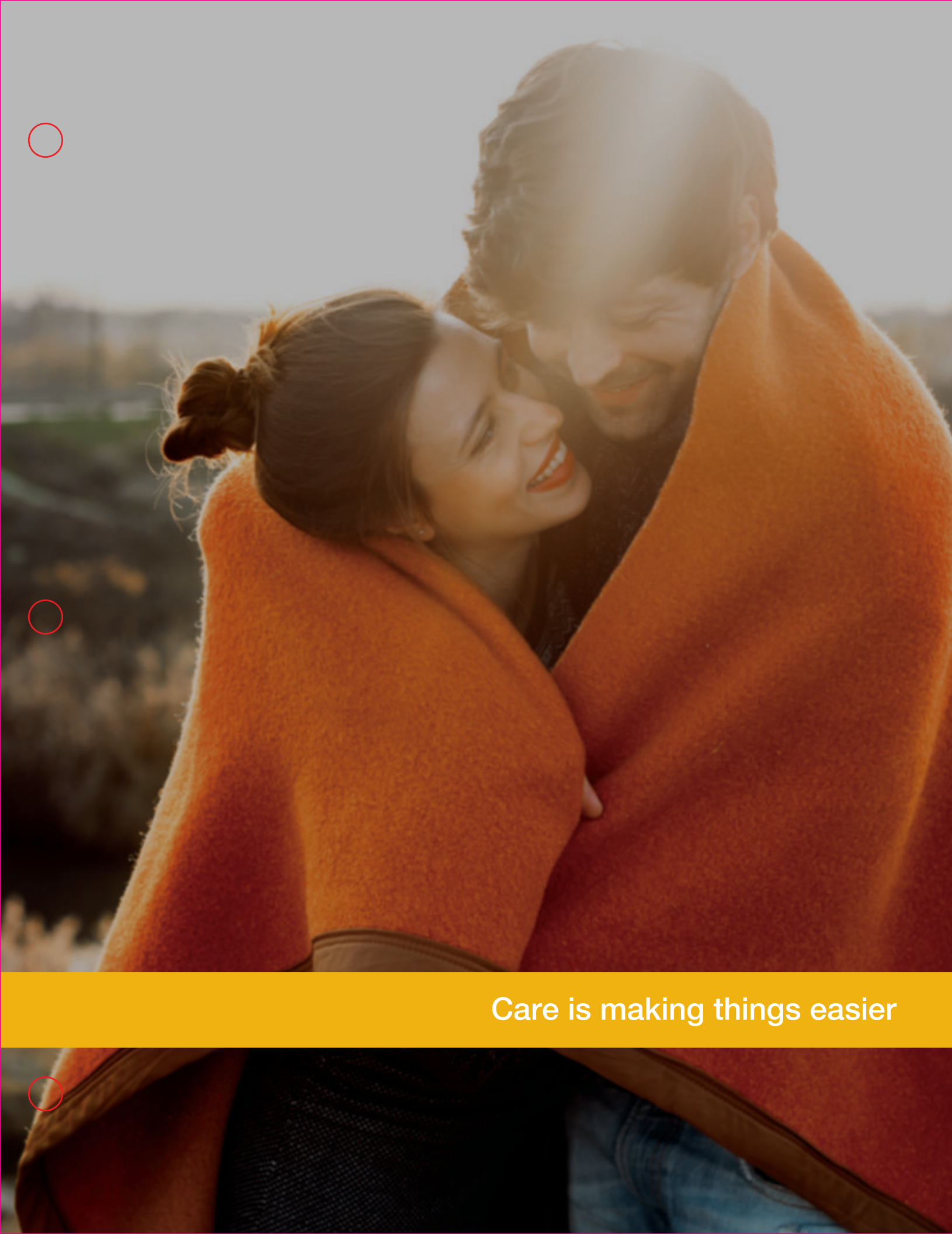
WOC97ES0E

Learn more on page 181.

*Requires WiFi and account creation. Subject to terms of service available at whirlpool.com/connect. Data rates may apply. **33" install depth compared to Whirlpool® models with 37-3/8" install depth. †Only applies to WiFi-enabled model WRF995FIF. ††Among leading french door bottom mount refrigerator brands. ‡Compared to traditional thermal-bake cycle on the same model.



LAUNDRY



LAUNDRY



**FRONT LOAD LAUNDRY
COLOR OPTIONS**



White (W)



Black Diamond (BD)



Chrome Shadow (C)



Diamond Steel (U)

**TOP LOAD LAUNDRY
COLOR OPTIONS**



White (W)



Chrome Shadow (C)



Cranberry Red (R)

**SPECIALTY LAUNDRY
COLOR OPTIONS**



White (Q/W)

Care is making things easier

FRONT LOAD LAUNDRY
PEDESTAL COLOR OPTIONS



White (Q/W)



Black Diamond (BD)



Chrome Shadow (C)



Diamond Steel (U)



LAUNDRY





Care is making things easier.

That's why we designed our laundry pairs with features that eliminate extra steps and provide just the right care for your family's clothes.



Every day, care.™

Front Load Laundry	14
Top Load Laundry	28
Specialty Laundry	50
Dimensions	56
Accessories	58
Glossary	60



FRONT LOAD LAUNDRY

Give your family's clothes the care they deserve in fewer steps



Load & Go™ system

Fill it, forget it and have the detergent you need every time. The Load & Go™ bulk dispenser holds enough detergent to wash up to 12 loads* of laundry so you can skip adding it to every load.



All-In-One Care™ system

Wash and dry tomorrow's outfit in the washer thanks to the Wash & Dry cycle with FanFresh® technology.** Plus, the FanFresh® option keeps clothes fresh for up to 12 hours after the wash cycle stops so you can finish laundry when you're ready.



SkipSteps™ system

Eliminate extra work and finish laundry faster. The Presoak option soaks clothes right in the washer and then starts the wash cycle automatically. Using increased wash action and heat, the Steam Clean option provides even more help in removing everyday stains.

NOTE: Not all features available on all models.
Models shown: Front Load Washer WFW92HEFC,
Front Load Dryer WE/GD92HEFC and Laundry Pedestals XHPC155YC

*Based on an 8-lb load. **Based on a 2-lb load of lightweight fabrics, 12-hour cycle.

FRONT LOAD WASHERS

4.5 cu. ft. Washer – WFW75HEF

AnyPlace™ system

Visible ball balancer

QuickSelect™ system

Tap Touch controls with Memory

ReadySet™ system

Delay Wash option

Quick Wash cycle

Total Laundry Care system

Adaptive Wash technology

Additional features

Cold Wash cycle

Precision Dispense

Sanitize cycle with Oxi

Smooth Wave stainless steel wash basket

Recommended dryers: WE/GD75HEF,
WE/GD7590F, WED7990F



WFW75HEF



White (W)

⊕ Indicates a step-up feature

*33" install depth compared to Whirlpool®
models with 37-3/8" install depth.

For more details, see feature glossary on page 60



WFW7590F



White (W)



4.2 cu. ft. Washer – WFW7590F

AnyPlace™ system

- ⊕ Shallow-depth fit*
Visible ball balancer

QuickSelect™ system

- Tap Touch controls with Memory

ReadySet™ system

- Delay Wash option
Quick Wash cycle

Total Laundry Care system

- Adaptive Wash technology

Additional features

- Cold Wash cycle
Precision Dispense
Sanitize cycle with Oxi
Smooth Wave stainless steel wash basket

Recommended dryers: WE/GD75HEF, WE/GD7590F, WED7990F

FRONT LOAD WASHERS

4.3 cu. ft. Washer – WFW87HED

AnyPlace™ system

- ⊕ Dual ball balancer

QuickSelect™ system

Tap Touch controls with Memory

ReadySet™ system

Delay Wash option

Quick Wash cycle

- ⊕ TumbleFresh™ option

SkipSteps™ system

- ⊕ Presoak option

- ⊕ Steam Clean option

Total Laundry Care system

Adaptive Wash technology

Additional features

Cold Wash cycle

Precision Dispense

- ⊕ Sanitize cycle with Heater

Smooth Wave stainless steel wash basket

Recommended dryer: WE/GD87HED



WFW87HED



White (W)



Chrome
Shadow (C)

⊕ Indicates a step-up feature

For more details, see feature glossary on page 60



WFW90HEF



White (W)



Chrome
Shadow (C)



4.5 cu. ft. Washer – WFW90HEF

All-In-One Care™ system

⊕ FanFresh® option

AnyPlace™ system

Visible ball balancer

ColorLast™ system

⊕ ColorLast™ cycle

QuickSelect™ system

Tap Touch controls with Memory

ReadySet™ system

Delay Wash option

Quick Wash cycle

Resource Saver™ system

⊕ EcoBoost™ option

SkipSteps™ system

Presoak option

Steam Clean option

Total Laundry Care system

Adaptive Wash technology

Additional features

Cold Wash cycle

Precision Dispense

Sanitize cycle with Heater

Smooth Wave stainless steel wash basket

Recommended dryer: WE/GD90HEF

FRONT LOAD WASHERS

4.5 cu. ft. Washer – WFW92HEF

All-In-One Care™ system

FanFresh® option

⊕ Wash & Dry cycle with FanFresh® technology

AnyPlace™ system

Visible ball balancer

ColorLast™ system

ColorLast™ cycle

Load & Go™ system

⊕ Load & Go™ bulk dispenser

QuickSelect™ system

Tap Touch controls with Memory

ReadySet™ system

Delay Wash option

Quick Wash cycle

Resource Saver™ system

EcoBoost™ option

SkipSteps™ system

Presoak option

Steam Clean option

Total Laundry Care system

Adaptive Wash technology

Additional features

Cold Wash cycle

Precision Dispense

Sanitize cycle with Heater

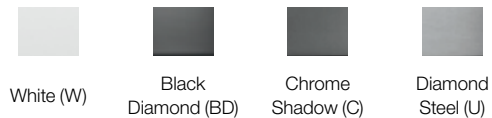
Smooth Wave stainless steel wash basket

Recommended dryers:

WE/GD92HEF, WED9290F



WFW92HEF



⊕ Indicates a step-up feature

*33" install depth compared to Whirlpool® models with 37-3/8" install depth.

For more details, see feature glossary on page 60

FRONT LOAD WASHERS



WFW9290F



4.2 cu. ft. Washer – WFW9290F

All-In-One Care™ system

- FanFresh® option
- Wash & Dry cycle with FanFresh® technology

AnyPlace™ system

- ⊕ Shallow-depth fit*
- Visible ball balancer

ColorLast™ system

- ColorLast™ cycle

Load & Go™ system

- Load & Go™ bulk dispenser

QuickSelect™ system

- Tap Touch controls with Memory

ReadySet™ system

- Delay Wash option
- Quick Wash cycle

Resource Saver™ system

- EcoBoost™ option

SkipSteps™ system

- Presoak option
- Steam Clean option

Total Laundry Care system

- Adaptive Wash technology

Additional features

- Cold Wash cycle
- Precision Dispense
- Sanitize cycle with Heater
- Smooth Wave stainless steel wash basket

Recommended dryers:
WE/GD92HEF, WED9290F

FRONT LOAD DRYERS

7.4 cu. ft. Dryer – WE/GD75HEF

QuickSelect™ system

Tap Touch controls with Memory

ReadySet™ system

Quick Dry cycle

Wrinkle Shield™ option

Resource Saver™ system

EcoBoost™ option

Total Laundry Care system

Advanced Moisture Sensing

Additional feature

Quad baffles

Recommended washers:
WFW75HEF, WFW7590F



WE/GD75HEF



White (W)

7.4 cu. ft. Dryer – WE/GD7590F

QuickSelect™ system

Tap Touch controls with Memory

ReadySet™ system

Quick Dry cycle

Wrinkle Shield™ option

Resource Saver™ system

EcoBoost™ option

Total Laundry Care system

Advanced Moisture Sensing

Additional features

⊕ Long vent design

Quad baffles

Recommended washers:
WFW75HEF, WFW7590F



WE/GD7590F



White (W)

⊕ Indicates a step-up feature

*Electric model only.

For more details, see feature glossary on page 60

FRONT LOAD DRYERS



WED7990F



White (W)



7.4 cu. ft. Dryer – WED7990F

AnyPlace™ system

- ⊕ HybridCare™ true ventless heat pump technology for flexible installation

QuickSelect™ system

- Tap Touch controls with Memory

ReadySet™ system

- Quick Dry cycle
- Wrinkle Shield™ option

Resource Saver™ system

- ⊕ Our most efficient drying technology

Total Laundry Care system

- Advanced Moisture Sensing

Additional feature

- Quad baffles

Recommended washers:
FWW75HEF, FWW7590F



WE/GD87HED



White (W)



Chrome
Shadow (C)



7.3 cu. ft. Dryer – WE/GD87HED

QuickSelect™ system

- Tap Touch controls with Memory

ReadySet™ system

- Quick Dry cycle
- ⊕ Steam Refresh cycle
- ⊕ Wrinkle Shield™ Plus option with Steam

Resource Saver™ system

- ⊕ EcoBoost™ option

Total Laundry Care system

- Advanced Moisture Sensing

Additional features

- Quad baffles

- ⊕ Sanitize cycle

Recommended washer: FWW87HED

FRONT LOAD DRYERS

7.4 cu. ft. Dryer – WE/GD90HEF

QuickSelect™ system

Tap Touch controls with Memory

ReadySet™ system

Quick Dry cycle

Steam Refresh cycle

Wrinkle Shield™ Plus option with Steam

Resource Saver™ system

EcoBoost™ option

Total Laundry Care system

Advanced Moisture Sensing

Additional features

Quad baffles

Sanitize cycle

Recommended washer: WFW90HEF



WE/GD90HEF



White (W)



Chrome Shadow (C)

⊕ Indicates a step-up feature

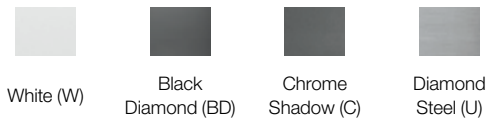
*Electric model only.

For more details, see feature glossary on page 60

FRONT LOAD DRYERS



WE/GD92HEF



7.4 cu. ft. Dryer – WE/GD92HEF

AnyPlace™ system

- ⊕ Stainless steel dryer drum with sound-dampening technology

QuickSelect™ system

Tap Touch controls with Memory

ReadySet™ system

Quick Dry cycle

Steam Refresh cycle

Wrinkle Shield™ Plus option with Steam

Resource Saver™ system

EcoBoost™ option

Total Laundry Care system

Advanced Moisture Sensing

Additional features

Quad baffles

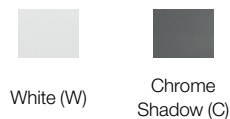
Sanitize cycle

- ⊕ Static Reduce option

Recommended washers: WFW92HEF, WFW9290F



WED9290F



7.4 cu. ft. Dryer – WED9290F

AnyPlace™ system

- ⊕ HybridCare™ true ventless heat pump technology for flexible installation

QuickSelect™ system

Tap Touch controls with Memory

ReadySet™ system

Quick Dry cycle

Wrinkle Shield™ option

Resource Saver™ system

- ⊕ HybridCare™ energy options

- ⊕ Our most efficient drying technology

SkipSteps™ system

- ⊕ SingleSwipe™ lint screen

Total Laundry Care system

Advanced Moisture Sensing

Additional features

Quad baffles

Stainless steel dryer drum

Recommended washers: WFW92HEF, WFW9290F

FRONT LOAD WASHERS

Bold type indicates a step-up feature

WASHER MODEL	WF75HEF	WF7590F	WF87HED	WF90HEF	WF92HEF	WF9290F
Recommended Dryer	WE/GD75HEF, WE/GD7590F, WED7990F	WE/GD75HEF, WE/GD7590F, WED7990F	WE/GD87HED	WE/GD90HEF	WE/GD92HEF, WED9290F	WE/GD92HEF, WED9290F
Capacity (cu. ft.)	4.5	4.2	4.3	4.5	4.5	4.2
Add-a-Garment indicator	•	•	•	•	•	•
CEE rating*	Tier 3	Tier 3	Tier 2	Tier 3	Tier 3	Tier 3
End of cycle signal	Selectable	Selectable	Selectable	Selectable	Selectable	Selectable
ENERGY STAR® certified	•	•	•	•	•	•
Estimated time remaining display	•	•	•	•	•	•
LED basket light	—	—	—	—	•	•
Tap Touch controls with Memory	•	•	•	•	•	•
Water heater	—	—	•	•	•	•
DESIGN FEATURES						
Chrome cycle control knob	•	•	—	•	•	•
Premium contoured chrome door	—	—	—	•	•	•
Shallow-depth fit (33" installed depth)	—	•	—	—	—	•
Smooth Wave stainless steel wash basket	•	•	•	•	•	•
WASH SYSTEM						
Adaptive Wash technology	•	•	•	•	•	•
Max spin speed (RPM)	1200	1200	1400	1200	1200	1200
Precision Dispense	•	•	•	•	Load & Go™ bulk dispenser	Load & Go™ bulk dispenser
Quiet Wash Ultra noise reduction system	•	•	—	•	•	•
Suds sensor	•	•	•	•	•	•
Total number of temperatures	4	4	4	5	5	5
Visible ball balancer	•	•	Dual	•	•	•
CYCLES & OPTIONS						
Total number of cycles	8	8	10	11	12	12
Clean Washer with affresh® Washer cleaner	•	•	•	•	•	•
Cold Wash	•	•	•	•	•	•
ColorLast™	—	—	—	•	•	•
Delicates	•	•	•	•	•	•
Drain & Spin	•	•	•	•	•	•
Heavy Duty	•	•	•	•	•	•
Normal	•	•	•	•	•	•
Quick Wash	•	•	•	•	•	•
Sanitize	with Oxi	with Oxi	with Heater	with Heater	with Heater	with Heater
Towels	—	—	•	•	•	•
Wash & Dry with FanFresh™ technology	—	—	—	—	•	•
Whites	—	—	•	•	•	•
Delay option (hours up to)	8	8	8	8	12	12
EcoBoost™ option	—	—	—	•	•	•
FanFresh® option	—	—	—	•	•	•
Presoak option	—	—	•	•	•	•
Steam Clean option	—	—	•	•	•	•
TumbleFresh™ option	—	—	•	—	—	—
ACCESSORIES (Part No.)						
5' black EPDM hoses	8212641RP	8212641RP	8212641RP	8212641RP	8212641RP	8212641RP
5' nylon braided hoses	8212487RP	8212487RP	8212487RP	8212487RP	8212487RP	8212487RP
5' red & blue EPDM hoses	8212545RP	8212545RP	8212545RP	8212545RP	8212545RP	8212545RP
Detergent dispensing cartridge	—	—	—	—	W10250743A	W10250743A
Pedestal – 10" high	XHP1000XW	XHP1000XW	XHP1000XW	XHP1000XW	XHP1000XW	XHP1000XW
Pedestal – 15½" high	XHPC155XW	XHPC155XW	XHPC155XW, XHPC155YC, XHPC155YU	XHPC155XW, XHPC155YC, XHPC155YU	XHPC155XW, XHPC155YBD, XHPC155YC, XHPC155YU, XHPW155DW	XHPC155XW, XHPC155YU
COLORS						
Available colors**	W	W	W C	W C	W BD C U	W BD C

*Visit cee1.org for more information. **W = White, BD = Black Diamond, C = Chrome Shadow, U = Diamond Steel

FRONT LOAD DRYERS

Bold type indicates a step-up feature

DRYER MODEL	WE/GD75HEF	WE/GD7590F	WED7990F	WE/GD87HED	WE/GD90HEF	WE/GD92HEF	WED9290F
Recommended Washer	WFW75HEF, WFW7590F	WFW75HEF, WFW7590F	WFW75HEF, WFW7590F	WFW87HED	WFW90HEF	WFW92HEF, WFW9290F	WFW92HEF, WFW9290F
Capacity (cu. ft.)	7.4	7.4	7.4	7.3	7.4	7.4	7.4
Damp Dry signal	—	—	—	•	•	•	•
Drum light	—	—	—	•	•	•	•
End of cycle signal	Selectable	Selectable	Selectable	Selectable	Selectable	Selectable	Selectable
ENERGY STAR® certified*	•	•	•	•	•	•	•
Estimated time remaining LED display	•	•	•	•	•	•	•
Quad baffles	•	•	•	•	•	•	•
SingleSwipe™ lint screen	—	—	—	—	—	—	•
Tap Touch controls with Memory	•	•	•	•	•	•	•
DESIGN FEATURES							
Chrome cycle control knob	•	•	•	—	•	•	•
Flexible installation	—	—	•	—	—	—	•
Long vent	—	•	—	—	—	—	—
Premium contoured chrome door	—	—	—	—	•	•	•
Stainless steel dryer drum	—	—	—	—	—	with sound-dampening technology	•
DRYING SYSTEM							
Advanced Moisture Sensing	•	•	•	•	•	•	•
HybridCare™ true ventless heat pump technology	—	—	•	—	—	—	•
Total number of temperatures	4	4	4	5	4	5	4
CYCLES & OPTIONS							
Total number of cycles	6	6	7	9	9	10	8
Bulky	•	•	•	•	•	•	•
Casual	—	—	•	•	•	•	•
Delicates	•	•	•	•	•	•	•
Heavy Duty	•	•	•	•	•	•	•
Normal	•	•	•	•	•	•	•
Quick Dry	•	•	•	•	•	•	•
Sanitize	—	—	—	•	•	•	—
Steam Refresh	—	—	—	•	•	•	—
Timed Dry	•	•	•	•	•	•	•
Towels	—	—	—	—	—	•	•
EcoBoost™ option	•	•	—	•	•	•	—
HybridCare™ energy options (Balanced, Eco, Speed)	—	—	—	—	—	—	•
Static Reduce option	—	—	—	—	—	•	—
Wrinkle Shield™ option	•	•	•	—	—	—	•
Wrinkle Shield™ Plus option	—	—	—	with Steam	with Steam	with Steam	—
ACCESSORIES (Part No.)							
4-way internal vent kit	W10323246	W10323246	—	W10323246	W10323246	W10323246	—
5' steam hose kit	—	—	—	W10782875	W10782875	W10782875	W10782875
Dryer rack	W10322470A	W10322470A	W10322470A	W10322470A	W10322470A	W10322470A	W10322470A
LP gas conversion kit	W10606694A	W10606694A	—	W10606694A	W10606694A	W10606694A	—
Pedestal – 10" high	XHP1000XW	XHP1000XW	XHP1000XW	XHP1000XW	XHP1000XW	XHP1000XW	XHP1000XW
Pedestal – 15½" high	XHPC155XW	XHPC155XW	XHPC155XW	XHPC155XW, XHPC155YC, XHPC155YU	XHPC155XW, XHPC155YC, XHPC155YU	XHPC155XW, XHPC155YBD, XHPC155YC, XHPC155YU	XHPC155XW, XHPC155YC
Stack kit	W10298318RP	W10298318RP	W10761316	W10298318RP	W10298318RP	W10298318RP	W10761316
COLORS							
Available colors**	W	W	W	W C	W C	W BD C U	W C

*Electric model only. **W = White, BD = Black Diamond, C = Chrome Shadow, U = Diamond Steel

TOP LOAD LAUNDRY

Give your family's clothes the care they deserve in fewer steps



Load & Go™ system

Fill it, forget it and have the detergent you need every time. The Load & Go™ bulk dispenser holds up to a month's worth of detergent* so you can skip adding it to every load.



Total Laundry Care system

Protect fabrics with gentle, yet effective, washing and drying. Keep clothes looking newer longer,** thanks to Adaptive Wash technology with Active Bloom™ wash action, and help prevent damage caused by overdrying with Advanced Moisture Sensing in the dryer.



QuickSelect™ system

Create customized cycles by selecting “what” and “how” you want to wash or dry with Intuitive Touch Front Controls. They even remember your last settings to save you time. The industry's first front-lid controls on the washer offer faster access while being easy to reach when you need them and out of the way when you don't.

NOTE: Not all features available on all models.

Models shown: Top Load Washer WTW9500EC and Top Load Paired Dryer WE/GD9500EC

*Up to 14 loads (14 lbs) per month. **Models WTW7000D, WTW7300D, WTW8000D, WTW8500D, WTW8700E and WTW9500E. Compared to our pre-2009 agitator washer.



TOP LOAD WASHERS

3.5 cu. ft. Washer – WTW4715E

Features

- Automatic load size sensing technology
 - Bleach dispenser
 - Bulky Items/Sheets cycle
 - Casual cycle
 - Deep Water Wash cycle
 - Delicates cycle
 - Extra Rinse option
 - HE agitator with fabric softener dispenser
 - Heavy Duty cycle
 - LED status lights
 - Smooth white porcelain wash basket
- Recommended dryer: WE/GD4815E



WTW4715E



White (W)

3.5 cu. ft. Washer – WTW4815E

Features

- Automatic load size sensing technology
 - Bleach dispenser
 - Bulky Items/Sheets cycle
 - Casual cycle
 - ⊕ Cold Wash cycle
 - Deep Water Wash cycle
 - Delicates cycle
 - Extra Rinse option
 - HE agitator with fabric softener dispenser
 - LED status lights
 - Smooth white porcelain wash basket
- Recommended dryer: WE/GD4815E



WTW4815E



White (W)

Actual model
may vary

⊕ Indicates a step-up feature

For more details, see feature glossary on page 60



WTW4915E



White (W)



WTW5000D



White (W)

3.7 cu. ft. Washer – WTW4915E

ReadySet™ system

- + Quick Wash cycle

SkipSteps™ system

- + Presoak option

Additional features

- Automatic load size sensing technology
 - Bleach dispenser
 - Bulky Items/Sheets cycle
 - Casual cycle
 - Cold Wash cycle
 - Deep Water Wash cycle
 - Delicates cycle
 - Extra Rinse option
 - + Heavy Duty cycle
 - LED status lights
 - + Smooth impeller
 - + Smooth Wave stainless steel wash basket
 - + Soak cycle
 - + Wide open top and lid
- Recommended dryer: WE/GD4915E

4.3 cu. ft. Washer – WTW5000D

ReadySet™ system

- Quick Wash cycle

SkipSteps™ system

- Presoak option

Total Laundry Care system

- + Care Control temperature management system

Additional features

- Automatic load size sensing technology
- Bleach dispenser
- Bulky Items/Sheets cycle
- Casual cycle
- Cold Wash cycle
- Deep Water Wash cycle
- Delicates cycle
- Extra Rinse option
- Heavy Duty cycle
- LED status lights
- + Low-profile impeller
- Smooth Wave stainless steel wash basket
- Soak cycle
- Wide open top and lid

Recommended dryer: WE/GD5000D

TOP LOAD WASHERS

4.8 cu. ft. Washer – WTW7000D

AnyPlace™ system

- ⊕ Quiet Spin 360 technology
- ⊕ Quiet Wash noise reduction system

ColorLast™ system

- ⊕ ColorLast™ cycle

QuickSelect™ system

- ⊕ Intuitive Touch Controls with Memory

ReadySet™ system

- ⊕ Delay Wash option
- Quick Wash cycle

SkipSteps™ system

- Presoak option

Total Laundry Care system

- ⊕ Active Bloom™ wash action
- ⊕ Adaptive Wash technology
- Care Control temperature management system

Additional features

- Cold Wash cycle
- Low-profile impeller
- Precision Dispense
- Smooth Wave stainless steel wash basket
- Wide open top and lid

Recommended dryer: WE/GD7000D



WTW7000D



White (W)



WTW7300D



White (W)



4.8 cu. ft. Washer – WTW7300D

AnyPlace™ system

- Quiet Spin 360 technology
- Quiet Wash noise reduction system

ColorLast™ system

- ColorLast™ cycle

QuickSelect™ system

- Intuitive Touch Controls with Memory

ReadySet™ system

- Delay Wash option
- Quick Wash cycle

SkipSteps™ system

- Presoak option
- + Steam Clean option

Total Laundry Care system

- Active Bloom™ wash action
- Adaptive Wash technology
- Care Control temperature management system

Additional features

- Cold Wash cycle
 - + EasyView™ frameless glass lid with slow-close technology
 - Low-profile impeller
 - Precision Dispense
 - Smooth Wave stainless steel wash basket
- Recommended dryer: WE/GD7300D

TOP LOAD WASHERS

5.3 cu. ft. Washer – WTW8000D

AnyPlace™ system

Quiet Spin 360 technology

⊕ Quiet Wash Ultra noise reduction system

ColorLast™ system

ColorLast™ cycle

QuickSelect™ system

Intuitive Touch Controls with Memory

ReadySet™ system

Delay Wash option

Quick Wash cycle

SkipSteps™ system

Presoak option

Total Laundry Care system

Active Bloom™ wash action

Adaptive Wash technology

Care Control temperature management system

Additional features

Cold Wash cycle

EasyView™ frameless glass lid with slow-close technology

Low-profile impeller

Precision Dispense

Smooth Wave stainless steel wash basket

Recommended dryer: WE/GD8000D



WTW8000D



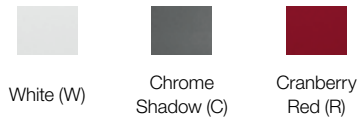
White (W)

⊕ Indicates a step-up feature

For more details, see feature glossary on page 60



WTW8500D



5.3 cu. ft. Washer – WTW8500D

AnyPlace™ system

- Quiet Spin 360 technology
- Quiet Wash Ultra noise reduction system

ColorLast™ system

- ColorLast™ cycle

QuickSelect™ system

- Intuitive Touch Controls with Memory

ReadySet™ system

- Delay Wash option
- Quick Wash cycle

SkipSteps™ system

- ⊕ Active Spray technology
- Presoak option
- ⊕ Steam Clean option

Total Laundry Care system

- Active Bloom™ wash action
- Adaptive Wash technology
- Care Control temperature management system

Additional features

- Cold Wash cycle
- EasyView™ frameless glass lid with slow-close technology
- Low-profile impeller
- ⊕ Oxi Dispense option
- Precision Dispense
- Smooth Wave stainless steel wash basket
- Recommended dryer: WE/GD8500D

TOP LOAD WASHERS

5.3 cu. ft. Washer – WTW8700E

AnyPlace™ system

- Quiet Spin 360 technology
- Quiet Wash Ultra noise reduction system



CareSync™ system*

- + Connect to care™ program
- + Download & Go™ option
- + Energy tracking
- + Remote diagnostics



ColorLast™ system

- ColorLast™ cycle



QuickSelect™ system

- Intuitive Touch Controls with Memory

ReadySet™ system

- Delay Wash option
- Quick Wash cycle

SkipSteps™ system

- Active Spray technology
- Presoak option
- Steam Clean option

Total Laundry Care system

- Active Bloom™ wash action
- Adaptive Wash technology
- Care Control temperature management system

Additional features

- Cold Wash cycle
- EasyView™ frameless glass lid with slow-close technology
- Low-profile impeller
- Oxi Dispense option
- Precision Dispense
- Smooth Wave stainless steel wash basket

Recommended dryer: WE/GD8700E



WTW8700E



Chrome Shadow (C)

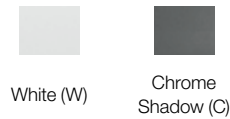
+ Indicates a step-up feature

*Requires WiFi and account creation. App features and functionality subject to change. Subject to terms of service available at: whirlpool.com/connect. Data rates may apply.

For more details, see feature glossary on page 60



WTW9500E



6.2 cu. ft. Washer – WTW9500E

AnyPlace™ system

- Quiet Spin 360 technology
- Quiet Wash Ultra noise reduction system

ColorLast™ system

- ColorLast™ cycle

Load & Go™ system

- ⊕ Load & Go™ bulk dispenser

QuickSelect™ system

- ⊕ Intuitive Touch Front Controls with Memory

ReadySet™ system

- Delay Wash option
- Quick Wash cycle

SkipSteps™ system

- Active Spray technology
- Presoak option
- Steam Clean option

Total Laundry Care system

- Active Bloom™ wash action
- Adaptive Wash technology
- Care Control temperature management system

Additional features

- ⊕ ActiveWear cycle
 - Cold Wash cycle
 - EasyView™ frameless glass lid with slow-close technology
 - ⊕ Jeans cycle
 - Low-profile impeller
 - Oxi Dispense option
 - Precision Dispense
 - ⊕ Sanitize cycle with Oxi
 - Smooth Wave stainless steel wash basket
- Recommended dryer: WE/GD9500E

TOP LOAD PAIRED DRYERS

7.0 cu. ft. Dryer – WE/GD4815E

ReadySet™ system

Wrinkle Shield™ option

Total Laundry Care system

AutoDry™ drying system

Additional features

- 4 drying temperatures
- Heavy Duty cycle
- Optional end of cycle signal
- Reversible door
- Timed Dry cycle

Recommended washer: WTW4815E



WE/GD4815E



White (W)

7.0 cu. ft. Dryer – WE/GD4915E

QuickLoad™ system

⊕ Drop-down hamper door

ReadySet™ system

Wrinkle Shield™ option

Total Laundry Care system

⊕ AccuDry™ sensor drying technology

Additional features

- ⊕ 5 drying temperatures
- ⊕ Damp Dry cycle
- ⊕ Delicates cycle
- ⊕ Drum light
- ⊕ Jeans cycle
- Optional end of cycle signal
- Timed Dry cycle

Recommended washer: WTW4915E



WE/GD4915E



White (W)

⊕ Indicates a step-up feature

For more details, see feature glossary on page 60

TOP LOAD PAIRED DRYERS



WE/GD4985E



White (W)



WE/GD5000D



White (W)

5.9 cu. ft. Dryer – WE/GD4985E

ReadySet™ system

Wrinkle Shield™ option

Total Laundry Care system

AccuDry™ sensor drying technology

Additional features

- 5 drying temperatures
- Damp Dry cycle
- Delicates cycle
- Drum light
- Jeans cycle
- ⊕ Long vent, flat back design
- Optional end of cycle signal
- Reversible door
- Timed Dry cycle

Recommended washers: WTW4715E, WTW4815E, WTW4915E, WTW5000D

7.0 cu. ft. Dryer – WE/GD5000D

QuickLoad™ system

- ⊕ Drop-down hamper door

ReadySet™ system

Wrinkle Shield™ option

Total Laundry Care system

AccuDry™ sensor drying technology

Additional features

- Damp Dry cycle
- Delicates cycle
- Drum light
- Jeans cycle
- Optional end of cycle signal
- Timed Dry cycle

Recommended washer: WTW5000D

TOP LOAD PAIRED DRYERS

7.0 cu. ft. Dryer – WE/GD49STB

QuickLoad™ system

Drop-down hamper door

ReadySet™ system

⊕ Steam Refresh cycle

Wrinkle Shield™ option

Total Laundry Care system

AccuDry™ sensor drying technology

Additional features

Damp Dry cycle

Drum light

Optional end of cycle signal

Timed Dry cycle

Recommended washers: WTW4715E,
WTW4815E, WTW4915E, WTW5000D



WE/GD49STB



White (W)

7.0 cu. ft. Dryer – WE/GD7000D

AnyPlace™ system

⊕ Quiet Dry noise reduction system

QuickSelect™ system

⊕ Intuitive Touch Controls with Memory

ReadySet™ system

Wrinkle Shield™ option

Total Laundry Care system

AccuDry™ sensor drying technology

Additional features

Drum light

Reversible door

⊕ Sanitize cycle

Timed Dry cycle

Recommended washer: WTW7000D



WE/GD7000D



White (W)

⊕ Indicates a step-up feature

For more details, see feature glossary on page 60

TOP LOAD PAIRED DRYERS



WE/GD7300D



White (W)

7.0 cu. ft. Dryer – WE/GD7300D

AnyPlace™ system

Quiet Dry noise reduction system

QuickSelect™ system

Intuitive Touch Controls with Memory

ReadySet™ system

⊕ Steam Refresh cycle

⊕ Wrinkle Shield™ Plus option with Steam

Total Laundry Care system

AccuDry™ sensor drying technology

Additional features

Drum light

Reversible door

Sanitize cycle

⊕ Static Reduce option

Timed Dry cycle

Recommended washer: WTW7300D

TOP LOAD PAIRED DRYERS

8.8 cu. ft. Dryer – WE/GD8000D

AnyPlace™ system

⊕ Quiet Dry Ultra noise reduction system

QuickSelect™ system

Intuitive Touch Controls with Memory

ReadySet™ system

Wrinkle Shield™ option

Resource Saver™ system

⊕ EcoBoost™ option

SkipSteps™ system

⊕ SingleSwipe™ lint screen

Total Laundry Care system

⊕ Advanced Moisture Sensing

Additional features

Drum light

⊕ Quad baffles

Reversible door

Sanitize cycle

Timed Dry cycle

Recommended washer: WTW8000D



WE/GD8000D



White (W)

⊕ Indicates a step-up feature

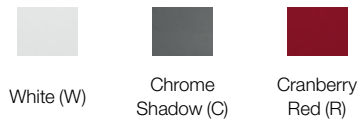
*Electric model only.

For more details, see feature glossary on page 60

TOP LOAD PAIRED DRYERS



WE/GD8500D



8.8 cu. ft. Dryer – WE/GD8500D

AnyPlace™ system

Quiet Dry Ultra noise reduction system

QuickSelect™ system

Intuitive Touch Controls with Memory

ReadySet™ system

⊕ Steam Refresh cycle

⊕ Wrinkle Shield™ Plus option with Steam

Resource Saver™ system

EcoBoost™ option

SkipSteps™ system

SingleSwipe™ lint screen

Total Laundry Care system

Advanced Moisture Sensing

Additional features

Drum light

Quad baffles

Reversible door

Sanitize cycle

⊕ Static Reduce option

Timed Dry cycle

Recommended washer: WTW8500D

TOP LOAD PAIRED DRYERS

8.8 cu. ft. Dryer – WE/GD8700E

AnyPlace™ system

Quiet Dry Ultra noise reduction system

CareSync™ system*

+ Download & Go™ option

+ Energy tracking

+ Remote diagnostics

QuickSelect™ system

Intuitive Touch Controls with Memory

ReadySet™ system

Steam Refresh cycle

Wrinkle Shield™ Plus option with Steam

Resource Saver™ system

EcoBoost™ option

SkipSteps™ system

SingleSwipe™ lint screen

Total Laundry Care system

Advanced Moisture Sensing

Additional features

Drum light

Quad baffles

Reversible door

Sanitize cycle

Static Reduce option

Timed Dry cycle

Recommended washer: WTW8700E



WE/GD8700E



Chrome
Shadow (C)

+ Indicates a step-up feature

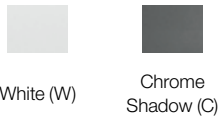
*Requires WiFi and account creation. App features and functionality subject to change. Subject to terms of service available at: whirlpool.com/connect. Data rates may apply. **Electric model only.

For more details, see feature glossary on page 60

TOP LOAD PAIRED DRYERS



WE/GD9500E



9.2 cu. ft. Dryer – WE/GD9500E

AnyPlace™ system

Quiet Dry Ultra noise reduction system

QuickLoad™ system

⊕ Our largest dryer opening available

QuickSelect™ system

⊕ Intuitive Touch
Front Controls with Memory

ReadySet™ system

Steam Refresh cycle

Wrinkle Shield™ Plus option with Steam

Resource Saver™ system

EcoBoost™ option

SkipSteps™ system

SingleSwipe™ lint screen

Total Laundry Care system

Advanced Moisture Sensing

Additional features

Drum light

Quad baffles

Reversible door

Sanitize cycle

⊕ Stainless steel dryer drum

Static Reduce option

Recommended washer: WTW9500E

TOP LOAD WASHERS

Bold type indicates a step-up feature

WASHER MODEL	WTW4715E	WTW4815E	WTW4915E	WTW5000D
Recommended Dryer	WE/GD4815E	WE/GD4815E	WE/GD4915E	WE/GD5000D
Capacity (cu. ft.)	3.5	3.5	3.7	4.3
High-efficiency washer	•	•	•	•
LED status lights	•	•	•	•
DESIGN FEATURES				
Smooth white porcelain wash basket	•	•	—	—
Smooth Wave stainless steel wash basket	—	—	•	•
Wide opening lid	—	—	•	•
WASH SYSTEM				
Adaptive wash actions	—	—	—	11
Automatic load size sensing technology	•	•	•	•
Bleach dispenser	•	•	•	•
Care Control temperature management system	—	—	—	•
HE agitator with fabric softener dispenser	•	•	—	—
Low-profile impeller	—	—	—	•
Max spin speed (RPM)	700	700	800	660
Smooth impeller	—	—	•	—
Total number of soil levels	3	4	4	4
Total number of temperatures	2	5	5	5
Total number of water levels	Auto	Auto	Auto	Auto
CYCLES & OPTIONS				
Total number of cycles	9	9	12	12
Bulky Items/Sheets	•	•	•	•
Casual	•	•	•	•
Clean Washer with affresh® Washer cleaner	•	•	•	•
Cold Wash	—	•	•	•
Deep Water Wash	•	•	•	•
Delicates	•	•	•	•
Drain & Spin	•	•	•	•
Heavy Duty	•	—	•	•
Normal	•	•	•	•
Quick Wash	—	—	•	•
Rinse & Spin	•	•	•	•
Soak	—	—	•	•
Extra Rinse option	•	•	•	•
Presoak option	—	—	•	•
ACCESSORIES (Part No.)				
5' black EPDM hoses	8212641RP	8212641RP	8212641RP	8212641RP
5' nylon braided hoses	8212487RP	8212487RP	8212487RP	8212487RP
5' red & blue EPDM hoses	8212545RP	8212545RP	8212545RP	8212545RP
COLORS				
Available color*	W	W	W	W

*W = White

TOP LOAD WASHERS (CONTINUED)

Bold type indicates a step-up feature

WASHER MODEL	WTW7000D	WTW7300D	WTW8000D	WTW8500D	WTW8700E	WTW9500E
Recommended Dryer	WE/GD7000D	WE/GD7300D	WE/GD8000D	WE/GD8500D	WE/GD8700E	WE/GD9500E
Capacity (cu. ft.)	4.8	4.8	5.3	5.3	5.3	6.2
Connect to care™ program	—	—	—	—	•	—
Customized care cycles	—	—	—	—	—	•
Download & Go™ option	—	—	—	—	•	—
End of cycle signal	4 levels	4 levels	4 levels	4 levels	4 levels	4 levels
ENERGY STAR® certified	•	•	•	•	•	•
Energy tracking	—	—	—	—	•	—
Estimated time remaining LED display	•	•	•	•	•	•
High-efficiency washer	•	•	•	•	•	•
Intuitive Touch Controls with Memory	•	•	•	•	•	Front lid
Remote diagnostics	—	—	—	—	•	—
Water heater	—	•	—	•	•	•
DESIGN FEATURES						
Chrome accents	—	—	—	•	•	•
EasyView™ frameless glass lid with slow-close technology	—	•	•	•	•	•
Smooth Wave stainless steel wash basket	•	•	•	•	•	•
Wide opening lid	•	—	—	—	—	—
WASH SYSTEM						
Active Spray technology	—	—	—	•	•	•
Adaptive wash actions	16	16	16	16	16	16
Adaptive Wash technology with Active Bloom™ wash action	•	•	•	•	•	•
Automatic load size sensing technology	•	•	•	•	•	•
Bleach dispenser	•	•	•	•	•	•
Care Control temperature management system	•	•	•	•	•	•
Direct drive motor	•	•	•	•	•	•
Load & Go™ bulk dispenser	—	—	—	—	—	•
Low-profile impeller	•	•	•	•	•	•
Max spin speed (RPM up to)	850	850	850	850	850	1100
Oxi dispenser	—	—	—	•	•	•
Precision Dispense – automatic detergent, fabric softener dispensers	•	•	•	•	•	•
Quiet Spin 360 technology	•	•	•	•	•	•
Quiet Wash noise reduction system	•	•	—	—	—	—
Quiet Wash Ultra noise reduction system	—	—	•	•	•	•
Total number of temperatures	5	5	5	5	5	5
Total number of water levels	Auto	Auto	Auto	Auto	Auto	Auto
CYCLES & OPTIONS						
Total number of cycles	26	26	26	26	26	54
ActiveWear	—	—	—	—	—	•
Bulky/Sheets	•	•	•	•	•	•
Casual	•	•	•	•	•	•
Clean Washer with affresh® Washer cleaner	•	•	•	•	•	•
Cold Wash	•	•	•	•	•	•
ColorLast™	•	•	•	•	•	•
Deep Water Wash	•	•	•	•	•	•
Delicates	•	•	•	•	•	•
Heavy Duty	—	—	—	—	—	•
Jeans	—	—	—	—	—	•
Mixed	•	•	•	•	•	•
Normal	•	•	•	•	•	•
Oxi Sanitize	—	—	—	—	—	•
Quick Wash	•	•	•	•	•	•
Rinse & Spin	•	•	•	•	•	•
Towels	—	—	—	—	—	•
Whites	•	•	•	•	•	•
Deep Clean option	•	—	•	—	—	—
Delay Wash option (hours up to)	12	12	12	12	12	12
Extra Rinse option	•	•	•	•	•	•
Oxi Dispense option	—	—	—	•	•	•
Presoak option	•	•	•	•	•	•
Steam Clean option	—	•	—	•	•	•
ACCESSORIES (Part No.)						
5' black EPDM hoses	8212641RP	8212641RP	8212641RP	8212641RP	8212641RP	8212641RP
5' nylon braided hoses	8212487RP	8212487RP	8212487RP	8212487RP	8212487RP	8212487RP
5' red & blue EPDM hoses	8212545RP	8212545RP	8212545RP	8212545RP	8212545RP	8212545RP
COLORS						
Available colors*	W	W	W	W C R	C	W C

*W = White, C = Chrome Shadow, R = Cranberry Red

TOP LOAD PAIRED DRYERS

Bold type indicates a step-up feature

DRYER MODEL	WE/GD4815E	WE/GD4915E	WE/GD4985E	WE/GD5000D	WE/GD49STB
Recommended Washer	WTW4815E	WTW4915E	WTW4715E, WTW4815E, WTW4915E, WTW5000D	WTW5000D	WTW4715E, WTW4815E, WTW4915E, WTW5000D
Capacity (cu. ft.)	7.0	7.0	5.9	7.0	7.0
End of cycle signal	On/Off	On/Off	On/Off	On/Off	On/Off
High-efficiency dryer	—	—	—	•	•
DESIGN FEATURES					
Drum light	—	•	•	•	•
Drum material	Powder coat	Powder coat	Powder coat	Powder coat	Powder coat
Flat back	—	—	•	—	—
Hamper door	—	•	—	•	•
Long vent	—	—	•	—	—
Reversible side-swing door	•	—	•	—	—
DRYING SYSTEM					
AccuDry™ sensor drying technology	—	•	•	•	•
AutoDry™ drying system	•	—	—	—	—
Total number of temperatures	4	5	5	5	3
CYCLES & OPTIONS					
Total number of cycles	14	12	12	12	13
Air Dry	•	•	•	•	•
Cool Down	•	•	•	•	•
Damp Dry	—	•	•	•	•
Delicates	—	•	•	•	—
Energy Preferred	•	•	•	•	•
Heavy Duty	•	—	—	—	—
Jeans	—	•	•	•	—
Less Dry	•	•	•	•	•
More Dry	•	—	—	—	—
Steam Refresh	—	—	—	—	•
Timed Dry	•	•	•	•	•
Very Dry	•	•	•	•	•
Wrinkle Shield™ option (minutes up to)	30	90	90	90	90
ACCESSORIES (Part No.)					
Dryer rack	3406839	3406839	3406839	3406839	3406839
LP gas conversion kit	49572A	49572A	49572A	49572A	49572A
COLORS					
Available color**	W	W	W	W	W

**W = White

TOP LOAD PAIRED DRYERS (CONTINUED)

Bold type indicates a step-up feature

DRYER MODEL	WE/GD7000D	WE/GD7300D	WE/GD8000D	WE/GD8500D	WE/GD8700E	WE/GD9500E
Recommended Washer	WTW7000D	WTW7300D	WTW8000D	WTW8500D	WTW8700E	WTW9500E
Capacity (cu. ft.)	7.0	7.0	8.8	8.8	8.8	9.2
Check lint indicator	•	•	•	•	•	•
Customized care cycles	—	—	—	—	—	•
Download & Go™ option	—	—	—	—	•	—
End of cycle signal	4 levels	4 levels	4 levels	4 levels	4 levels	4 levels
ENERGY STAR® certified*	—	—	•	•	•	Electric & gas
Energy tracking	—	—	—	—	•	—
Estimated time remaining LED display	•	•	•	•	•	•
High-efficiency dryer	•	•	•	•	•	•
Intuitive Touch Controls with Memory	•	•	•	•	•	Front
Remote diagnostics	—	—	—	—	•	—
SingleSwipe™ lint screen	—	—	•	•	•	•
DESIGN FEATURES						
Chrome accents	—	—	—	•	•	•
Drum light	•	•	•	•	•	•
Drum material	Powder coat	Powder coat	Powder coat	Powder coat	Powder coat	Stainless steel
Quad baffles	—	—	•	•	•	•
Reversible side-swing door	•	•	—	—	—	—
Reversible side-swing door with window	—	—	•	•	•	•
DRYING SYSTEM						
AccuDry™ sensor drying technology	•	•	—	—	—	—
Advanced Moisture Sensing	—	—	•	•	•	•
Dual heating element	—	—	•	•	•	•
Quiet Dry noise reduction system	•	•	—	—	—	—
Quiet Dry Ultra noise reduction system	—	—	•	•	•	•
Total number of temperatures	5	5	5	5	5	5
Venting options	—	—	4-way	4-way	4-way	4-way
Y connector	—	•	—	•	•	•
CYCLES & OPTIONS						
Total number of cycles	24	23	24	23	23	38
ActiveWear	—	—	—	—	—	•
Bulky/Sheets	•	•	•	•	•	•
Casual	•	•	•	•	•	•
Delicates	•	•	•	•	•	•
Gentle	—	•	•	•	•	•
Heavy Duty	•	—	•	—	—	—
Jeans	—	—	—	—	—	•
Mixed	•	•	•	•	•	•
Normal	•	•	•	•	•	•
Quick Dry	—	—	—	—	—	•
Sanitize	•	•	•	•	•	•
Steam Refresh	—	•	—	•	•	•
Timed Dry	•	•	•	•	•	•
Towels	•	•	•	•	•	•
EcoBoost™ option	—	—	•	•	•	•
Static Reduce option	—	•	—	•	•	•
Wrinkle Shield™ option (minutes up to)	150	—	150	—	—	—
Wrinkle Shield™ Plus option with Steam (minutes up to)	—	150	—	150	150	150
ACCESSORIES (Part No.)						
4-way internal vent kit	—	—	W10704365	W10704365	W10704365	W10704365
Dryer rack	3406839	3406839	W10636192	W10636192	W10636192	Included
LP gas conversion kit	49572A	49572A	W10606694A	W10606694A	W10606694A	W10606694A
COLORS						
Available colors**	W	W	W	W C R	C	W C

*Electric model only. **W = White, C = Chrome Shadow, R = Cranberry Red

SPECIALTY LAUNDRY

Designed to fit where you need them



Total Laundry Care system

Protect fabrics with gentle, yet effective, washing and drying. Dryers with the AutoDry™ drying system automatically sense when clothes have reached the right moisture content and stop the cycle to help prevent overdrying.



ReadySet™ system

Convenient features help you save time in your daily routine. To help prevent wrinkles from setting into clean, dry clothes, the Wrinkle Shield™ option tumbles the dryer every 5 minutes after the cycle is complete for up to 150 minutes.



Fit for small spaces

Combination laundry pairs save space while still providing plenty of capacity and high-efficiency performance. Compact washers and dryers are another option for homes where room is at a minimum.

NOTE: Not all features available on all models.



LTG5243D



White (Q)



WET4024E



White (W)

**1.5 cu. ft. Washer /
3.4 cu. ft. Dryer –
LTG5243D**

Total Laundry Care system

AutoDry™ drying system

Additional features

- 3 drying temperatures
- Spreckle porcelain wash basket
- Surgilator® agitator
- Timed Dry cycle

**1.5 cu. ft. Washer /
3.4 cu. ft. Dryer –
WET4024E**

Total Laundry Care system

AutoDry™ drying system

Additional features

- 3 drying temperatures
- ⊕ Automatic load size sensing technology
- ⊕ Bleach dispenser
- ⊕ Fabric softener dispenser
- ⊕ Fluff Air cycle
- ⊕ High and Low AutoDry™ cycles
- Spreckle porcelain wash basket
- Surgilator® agitator
- Timed Dry cycle
- ⊕ Tumble Press® cycle

⊕ Indicates a step-up feature

For more details, see feature glossary on page 60

SPECIALTY LAUNDRY

2.5 cu. ft. Washer / 5.9 cu. ft. Dryer – WE/GT4027E

Total Laundry Care system

AutoDry™ drying system

Additional features

- 3 drying temperatures
- Automatic load size sensing technology
- Bleach dispenser
- ⊕ Damp Dry cycle
- Fabric softener dispenser
- Fluff Air cycle
- ⊕ HE agitator
- High and Low AutoDry™ cycles
- ⊕ Smooth white porcelain wash basket
- Timed Dry cycle
- Tumble Press® cycle

2.5 cu. ft. Washer / 5.9 cu. ft. Dryer – WE/GTLV27F

Total Laundry Care system

AutoDry™ drying system

Additional features

- 3 drying temperatures
- Automatic load size sensing technology
- Bleach dispenser
- Damp Dry cycle
- Fabric softener dispenser
- Fluff Air cycle
- HE agitator
- High and Low AutoDry™ cycles
- ⊕ Long vent design
- Smooth white porcelain wash basket
- Timed Dry cycle
- Tumble Press® cycle

⊕ Indicates a step-up feature

For more details, see feature glossary on page 60



WE/GT4027E



White (W)



WE/GTLV27F



White (W)



WFC7500V



White (W)



2.0 cu. ft. Compact Washer – WFC7500V

ReadySet™ system

- Delay Wash option
- Quick Wash cycle

Additional features

- Adaptive variable-speed motor
- Automatic load size sensing technology
- Automatic temperature controls
- Cycle status bar
- Estimated time remaining display
- Precision balancing system
- Stainless steel wash basket
- Recommended dryer: WED7500V



WED7500V



White (W)

3.8 cu. ft. Compact Dryer – WED7500V

Total Laundry Care system

- AutoDry™ drying system

Additional features

- 2 drying temperatures
- Damp Dry cycle
- Long vent design
- Moisture sensor control
- Stainless steel dryer drum
- Timed Dry cycle

Recommended washer: WFC7500V

SPECIALTY LAUNDRY

Bold type indicates a step-up feature

MODEL	24-Inch LTG5243D	24-Inch WET4024E	27-Inch WE/GT4027E	27-Inch WE/GTLV27F
Combination washer/dryer	•	•	•	•
WASHER FEATURES				
Washer capacity (cu. ft.)	1.5	1.5	2.5	2.5
Wash basket	Spreckle porcelain	Spreckle porcelain	White porcelain	White porcelain
WASH SYSTEM				
Automatic load size sensing technology	—	•	•	•
Bleach dispenser	—	•	•	•
Fabric softener dispenser	—	•	•	•
HE agitator	—	—	•	•
Max spin speed (RPM up to)	640	640	640	640
Motor drive type	Induction	Induction	Induction	Induction
Surgilator® agitator	•	•	—	—
Total number of soil levels	3	3	3	3
Total number of spin speeds	2	2	2	2
Total number of temperatures	4	5	5	5
Total number of water levels	3	Auto	Auto	Auto
WASHER CYCLES				
Total number of cycles	5	5	8	8
Casual – Light	—	—	•	•
Casual – Regular	—	•	•	•
Delicates – Heavy	—	—	•	•
Delicates – Regular	•	•	•	•
Normal – Light	—	—	•	•
Normal – Heavy	—	—	•	•
Normal – Regular	—	•	•	•
Prewash	•	—	•	•
Super Wash	•	•	—	—
DRYER FEATURES				
Dryer capacity (cu. ft.)	3.4	3.4	5.9	5.9
Drum material	DuraWhite™	Powder coat	Powder coat	Powder coat
End of cycle signal	•	•	•	•
DRYING SYSTEM				
AutoDry™ drying system	•	•	•	•
Long vent	—	—	—	•
Total number of temperatures	3	3	3	3
DRYER CYCLES				
Total number of cycles	18	5	6	6
AutoDry™ High	—	•	•	•
AutoDry™ Low	—	•	•	•
Automatic Dry	•	—	—	—
Damp Dry	—	—	•	•
Fluff Air	—	•	•	•
Timed Dry	•	•	•	•
Tumble Press®	—	•	•	•
ACCESSORIES (Part No.)				
LP gas conversion kit	W10606694A	—	W10606694A	W10606694A
Side vent kit	279823	279823	279823	279823
COLORS				
Available colors*	Q	W	W	W

*Q/W = White

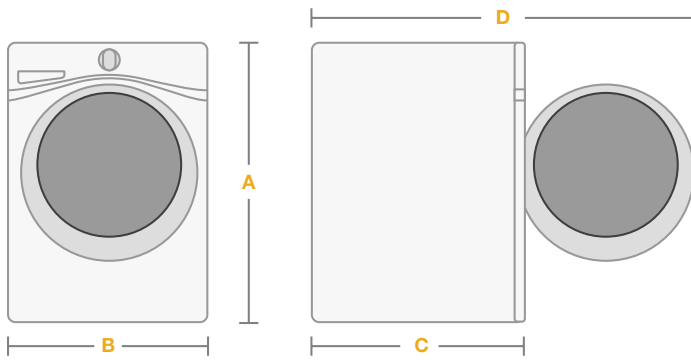
SPECIALTY LAUNDRY (CONTINUED)

MODEL	Compact Washer WFC7500V
Capacity (cu. ft.)	2.0
Cycle status bar	•
ENERGY STAR® certified	•
Estimated time remaining display	•
Lighted cycle indicators	•
DESIGN FEATURES	
Flexible installation	•
Wash basket	Stainless steel
WASH SYSTEM	
Additive dispensers	Detergent, bleach, fabric softener
Automatic load size sensing technology	•
Automatic temperature controls	•
Gentle wash system	•
Max spin speed (RPM up to)	1,200
Motor drive type	Adaptive variable-speed
Precision balancing system	•
Quiet Wash system	•
Total number of spin speeds	2
Total number of temperatures	3
Total number of water levels	Auto
WASHER CYCLES & OPTIONS	
Total number of cycles	8
Casual	•
Clean Washer	•
Delicates	•
Drain & Spin	•
Heavy Duty	•
Normal	•
Quick Wash	•
Rinse & Spin	•
Delay Wash option (hours up to)	12
Door locked option	•
Extra Rinse option	•
Prewash option	•
ACCESSORIES (Part No.)	
Pedestal – 12" high	LAB0050PQ
COLORS	
Available color*	W

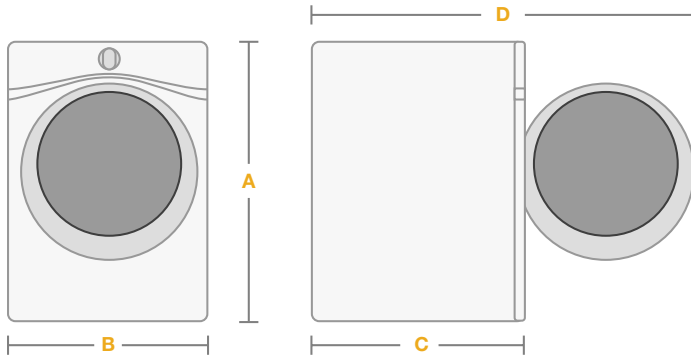
MODEL	Compact Dryer WED7500V
Capacity (cu. ft.)	3.8
DESIGN FEATURES	
Flexible installation	•
Drum material	Stainless steel
DRYING SYSTEM	
AutoDry™ drying system	•
Long vent	•
Moisture sensor control	•
Total number of temperatures	2
DRYER CYCLES	
Total number of cycles	11
Automatic Dry	•
Damp Dry	•
Extra Dry	•
Normal	•
Timed Dry	•
ACCESSORIES (Part No.)	
Pedestal – 12" high	LAB0050PQ
Stack kit	W10178021
COLORS	
Available color*	W

*W = White

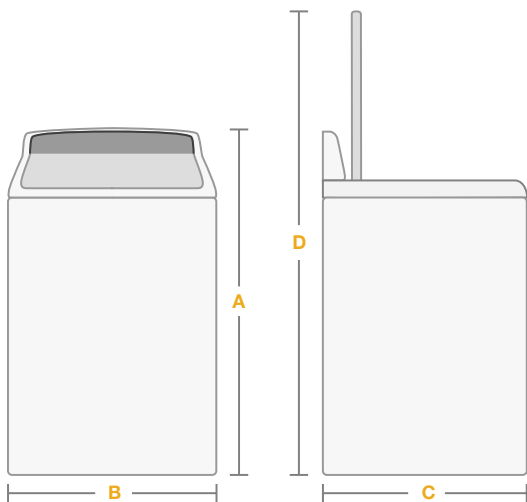
LAUNDRY DIMENSIONS



FRONT LOAD WASHER MODEL	MAX HEIGHT (A)	WIDTH (B)	DEPTH (C)	DEPTH WITH DOOR OPEN (D)
WFW75HEF	39 ³ / ₄ "	27"	33 ⁵ / ₁₆ "	52 ³ / ₄ "
WFW7590F	39 ³ / ₄ "	27"	31 ¹ / ₂ "	51"
WFW87HED	38 ³ / ₄ "	27"	33 ¹ / ₈ "	52 ³ / ₄ "
WFW90HEF	39 ³ / ₄ "	27"	33 ⁵ / ₁₆ "	52 ³ / ₄ "
WFW92HEF	39 ³ / ₄ "	27"	33 ⁵ / ₁₆ "	52 ³ / ₄ "
WFW9290F	39 ³ / ₄ "	27"	31 ¹ / ₂ "	51"



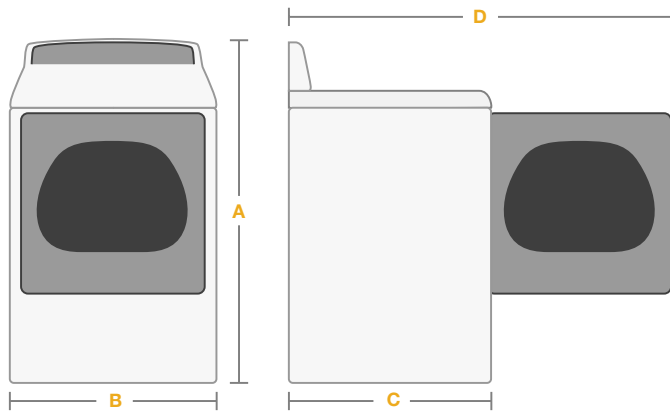
FRONT LOAD DRYER MODEL	MAX HEIGHT (A)	WIDTH (B)	DEPTH (C)	DEPTH WITH DOOR OPEN (D)
WE/GD75HEF	39"	27"	31"	51"
WE/GD7590F	39"	27"	31"	51"
WED7990F	39"	27"	31 ³ / ₄ "	51 ³ / ₄ "
WE/GD87HED	39"	27"	31"	51"
WE/GD90HEF	39"	27"	31"	51"
WE/GD92HEF	39"	27"	31"	51"
WED9290F	39"	27"	31 ³ / ₄ "	51 ³ / ₄ "



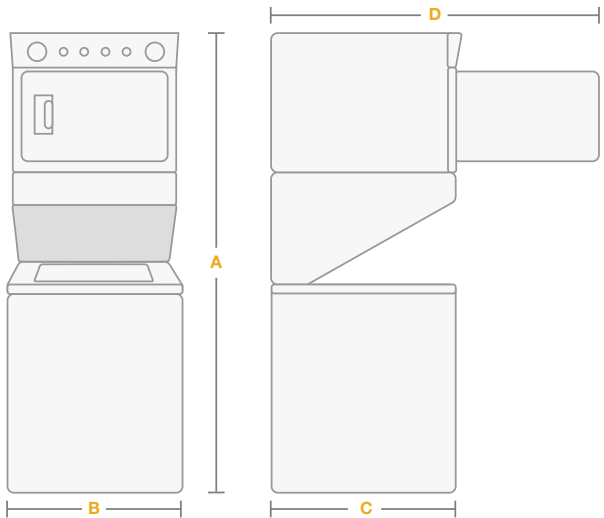
TOP LOAD WASHER MODEL	MAX HEIGHT (A)	WIDTH (B)	DEPTH (C)	HEIGHT WITH LID OPEN (D)
WTW4715E	42"	27 ¹ / ₂ "	27"	52"
WTW4815E	43"	27 ¹ / ₂ "	26 ³ / ₈ "	52"
WTW4915E	43"	27 ¹ / ₂ "	26 ³ / ₈ "	52"
WTW5000D	42 ¹ / ₄ "	27 ¹ / ₂ "	28"	51 ¹ / ₄ "
WTW7000D	40 ¹ / ₄ "	27 ¹ / ₂ "	28"	55"
WTW7300D	40 ¹ / ₄ "	27 ¹ / ₂ "	28"	55"
WTW8000D	42 ¹ / ₄ "	27 ¹ / ₂ "	28"	57"
WTW8500D	42 ¹ / ₄ "	27 ¹ / ₂ "	28"	57"
WTW8700E	42 ¹ / ₄ "	27 ¹ / ₂ "	28"	57"
WTW9500E	41 ³ / ₈ "	29 ¹ / ₂ "	30"	61"

Dimensions are shown for planning purposes only.
For complete information, see Installation Instructions packed with product.

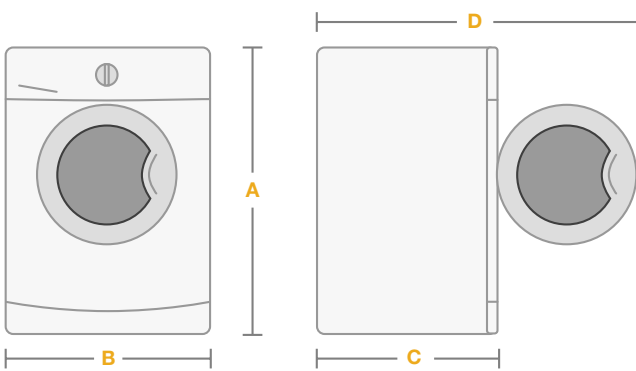
LAUNDRY DIMENSIONS



TOP LOAD PAIRED DRYER MODEL	MAX HEIGHT (A)	WIDTH (B)	DEPTH (C)	DEPTH WITH DOOR OPEN (D)
WE/GD4815E	43"	29"	28¼"	51"
WE/GD4915E	43"	29"	28¼"	42"
WE/GD4985E	43"	29"	26½"	49¼"
WE/GD5000D	42¼"	29"	28¼"	41¼"
WE/GD49STB	43⅞"	29"	27¾"	41½"
WE/GD7000D	40¼"	29"	28¼"	50¼"
WE/GD7300D	40¼"	29"	28¼"	50¼"
WE/GD8000D	42¼"	29"	32¼"	56¼"
WE/GD8500D	42¼"	29"	32¼"	56¼"
WE/GD8700E	42¼"	29"	32¼"	56¼"
WE/GD9500E	41⅞"	29"	33½"	57¼"



WASHER/ DRYER MODEL	MAX HEIGHT (A)	WIDTH (B)	DEPTH (C)	DEPTH WITH DOOR OPEN (D)
LTG5243D	70¾"	23⅞"	26⅞"	35⅞"
WET4024E	70¾"	23⅞"	26⅞"	35⅞"
WE/GT4027E	71¾"	27½"	32"	58⅞"
WE/GTLV27F	71¾"	27½"	32"	58⅞"



COMPACT WASHER MODEL	MAX HEIGHT (A)	WIDTH (B)	DEPTH (C)	DEPTH WITH DOOR OPEN (D)
WFC7500V	32⅞"	26"	24"	36¼"

COMPACT DRYER MODEL	MAX HEIGHT (A)	WIDTH (B)	DEPTH (C)	DEPTH WITH DOOR OPEN (D)
WED7500V	33¼"	23⅞"	23¼"	39"



Washer Accessories

➤ affresh® Washer Cleaner

Effectively reduces odor-causing residue in all washers. Keeps your machine fresher and cleaner when used monthly. Contains 3 pucks. – **W10135699**

Detergent Dispensing Cartridge

Adds the right amount of detergent at the right time during the cycle. Extra dispenser provides flexibility in changing detergent. WFW92HEF, WFW9290F – **W10250743A**

Industrial Grade Washer Hoses

Industrial strength hoses safely and efficiently transport hot and cold water to the washer.

(2) 6' nylon braided hose with 90 degree elbow – **8212638EP**

(2) 5' nylon braided hose – **8212487RP**

(2) 5' red & blue EPDM hose – **8212545RP**

(2) 10' black EPDM hose – **8212656RP**

(2) 4' black EPDM hose – **8212546RP**

(2) 5' black EPDM hose – **8212641RP**

Single Dose Dispenser Cup

Can replace a Detergent Dispensing Cartridge to dispense single doses of liquid detergent. WFW92HEF, WFW9290F – **W10340677A**

Washer Accessories

2' siphon break kit – **285834**

4' drain extension kit (includes coupler, 2 clamps and 4' drain hose with fitted end) – **DRNEXT4**

Drain reducer kit – **40923**

Pair Accessories

Front Load Stack Kits

Install the dryer over its matching washer with this kit.

WE/GD75HEF, WE/GD7590F, WE/GD87HED, WE/GD90HEF, WE/GD92HEF – **W10298318RP**

WED7990F, WED9290F – **W10761316**

WED7500V – **W10178021**

Laundry 1-2-3™ Pedestals

10" height for all front load laundry pairs – **XHP1000XW**

12" height for compact laundry pairs – **LAB0050PQ**

15½" height with storage drawer for all front load laundry pairs –

XHPC155XW / XHPC155YC / XHPC155YU / XHPW155DW / XHPC155YBD

LAUNDRY ACCESSORIES



Dryer Accessories

5' & 2' Steam Hose Kit

WE/GD87HED, WE/GD90HEF, WE/GD92HEF, WED9290F, WE/GD49STB, WE/GD7300D, WE/GD8000D, WE/GD8500D, WE/GD8700E, WE/GD9500E – **W10044609A** or **W10623830**

5' Steam Hose Kit

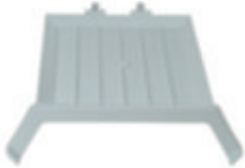
WE/GD87HED, WE/GD90HEF, WE/GD92HEF, WED9290F, WE/GD49STB, WE/GD7300D, WE/GD8000D, WE/GD8500D, WE/GD8700E, WE/GD9500E – **W10782875**

Dryer Cords

4', 3-wire, 30 amp cord – **PT220L**
4', 4-wire, 30 amp cord – **PT400L**
6', 4-wire, 30 amp cord – **PT600L**
Gas dryer connector kit – **20-48KITRC**

Dryer Lint Brush

Extend dryer life, lower utility bills and reduce drying time by regularly and thoroughly removing lint with this cleaning brush. For lint screen on top. Size 40" (L) x 2" (W) x 2" (D) – **8212614**



Dryer Racks

Convenient for flat items such as sweaters and hats, or for bulky items like footwear and stuffed animals. A quick and easy insertion of this lightweight rack means tumble-free drying.

WE/GD75HEF, WE/GD7590F, WED7990F, WE/GD87HED
WE/GD90HEF, WE/GD92HEF, WED9290F – **W10322470A**
WE/GD4815E, WE/GD4915E, WE/GD4985E, WE/GD5000D,
WE/GD49STB, WE/GD7000D, WE/GD7300D – **3406839**
WE/GD8000D, WE/GD8500D, WE/GD8700E – **W10636192**

Internal Vent Kits

WE/GD75HEF, WE/GD7590F, WE/GD87HED, WE/GD90HEF, WE/GD92HEF – **W10323246**
WE/GD8000D, WE/GD8500D, WE/GD8700E, WE/GD9500E – **W10704365**

LP Gas Conversion Kits

WGD75HEF, WGD7590F, WGD87HED, WGD90HEF, WGD92HEF, WGD8000D,
WGD8500D, WGD8700E, WGD9500E – **W10606694A**
WGD4815E, WGD4915E, WGD4985E, WGD5000D, WGD49STB, WGD7000D,
WGD7300D, LTG5243D, WGT4027E, WGTLV27F – **49572A**

Side Vent Kit

LTG5243D, WET4024E, WE/GT4027E, WE/GTLV27F – **279823**



LAUNDRY GLOSSARY



All-In-One Care™ system

Wash and start the drying process in the washer with the All-In-One Care™ system.

FanFresh® option

After the wash cycle, a built-in washer fan circulates air in the washer, keeping your clean clothes fresh and free from odors for up to 12 hours.

Wash & Dry cycle with FanFresh® technology

Wash and dry a small load in the washer* with this cycle. A fan automatically activates so you can get tomorrow's outfit or sports uniform ready without having to use the dryer.



AnyPlace™ system

With flexible designs and features that allow for installation where you want it, the AnyPlace™ system helps you find the right spot for your washer and dryer.

HybridCare™ true ventless heat pump technology for flexible installation

Dryers with HybridCare™ true ventless heat pump technology install in more places.

Quiet Spin 360 technology

Install your top load washer on a second floor and be assured of great out-of-balance performance and vibration control with this ball-balancing system.

Quiet Wash/Dry noise reduction systems

Keep operational sounds inside the washer and dryer and out of living areas with sound-absorbing materials around the wash basket and dryer drum. Escalating levels of sound reduction are available, up to Quiet Wash Ultra and Quiet Dry Ultra.

Shallow-depth fit

Get a space-saving design with a shallower depth that allows for more flexible installation in your laundry space.**

Stainless steel dryer drum with sound-dampening technology

Worry less about the sound of metal buttons and zippers making noise as they tumble, thanks to a unique sound-dampening material that surrounds the stainless steel dryer drum. The dryer runs quietly, even when you load items with metal accents.

Visible ball balancer

Install your front load washer on a second floor and be assured of great out-of-balance performance and vibration control.



CareSync™ system†

Connect to your appliances and care for your family and home from your phone or tablet, thanks to remote control and the other smart features of the CareSync™ system.

Connect to care™ program

Each time you care for your clothes and family, you can now care for families in need. The Connect to care™ program allows you to opt into making a donation via the mobile app every time you wash a load of laundry.

Download & Go™ option

You'll never feel tied to the Normal cycle again with specialty cycles, only from Whirlpool brand. Released seasonally as free downloads through the mobile app, cycles for everything from swimwear to sleeping bags are designed to provide optimal care for each item. Plus, you can create and save your own unique cycle to wash exactly the way you want with the mobile app, and then download the cycle directly to your washer using the Download & Go™ option.

Energy tracking

The energy-saving feature available through the mobile app can even be integrated with your Nest Learning Thermostat™. Nest recognizes when you're away from home and switches the dryer to Eco Mode to save energy with a more efficient cycle.†† And you can take advantage of the Rush Hour Rewards program to avoid running the washer during peak energy usage hours in the summer.‡ This energy-saving option is also available without the Nest Learning Thermostat™.

Remote diagnostics

Wash clothes more efficiently with helpful Laundry Alerts, which let you know if there's a detergent overfill or an unbalanced load that may affect performance. You'll also receive step-by-step instructions and select how-to videos to help guide you through quick fixes with the Diagnostic Tool.



ColorLast™ system

The ColorLast™ system uses the ideal wash options to help you keep colors vibrant longer.

ColorLast™ cycle

Give your most vibrant colors the care they need with a precise combination of wash action, gentle temperatures and time to keep colors vibrant longer.††

*Based on a 2-lb load of lightweight fabrics. **33" install depth compared to Whirlpool® models with 37-3/8" install depth. †Requires WiFi and account creation. App features and functionality subject to change. Subject to terms of service available at whirlpool.com/connect. Data rates may apply. ††Savings may vary across load type or cycle. ‡Rush Hour Rewards not available in all locations. ‡‡Compared to our pre-2009 agitator washer.

LAUNDRY GLOSSARY



Load & Go™ system

You'll be able to fill it and forget it and have the additives you need without refilling each time with the Load & Go™ system.

Load & Go™ bulk dispenser

Holds enough detergent to wash up to 12 loads[¥] of laundry on front load models and up to a month's worth of detergent^{¥¥} on top load models.



QuickLoad™ system

Transfer even bulky items with ease from washer to dryer with help from the QuickLoad™ system.

Drop-down hamper door

Easily move clothes from the washer to the dryer with the help of our hamper door. This feature is also great for when it's time to sort and fold your laundry.

Front load laundry pedestals

Raise your front load washer and dryer to a more comfortable height for loading and unloading. Some pedestals also offer convenient storage for laundry essentials.



QuickSelect™ system

The QuickSelect™ system helps you get started and make changes fast with easy-to-operate controls and features.

Intuitive Touch Controls with Memory

Easy "what" and "how" controls effortlessly help you create customized cycles. Plus, they even remember your last settings to save you time.

Tap Touch controls with Memory

Allow direct access to washer and dryer functions with a sleek appearance that enhances the appeal of any space.



ReadySet™ system

The features of the ReadySet™ system work with your schedule instead of interrupting it to help your day go smoothly.

Delay Wash option

Sets the washer to begin cleaning later so you can unload or transfer clothes to the dryer when it is more convenient.

Quick Dry cycle

Finish drying a small load quickly.

Quick Wash cycle

Designed to clean small, lightly soiled loads in less time using increased spin speeds to extract more water.

Steam Refresh cycle

Releases wrinkles and reduces odors without rewashing so clothes are ready to wear.

TumbleFresh™ option

Activates after the wash cycle is finished and rolls clean clothes periodically to help prevent wrinkles from setting in. Clothes stay fresh without having to transfer them to the dryer immediately.

Wrinkle Shield™/Wrinkle Shield™ Plus option with Steam

Tumbles the dryer every 5 minutes after the cycle is complete to help prevent wrinkles from setting into clean, dry fabrics. The intermittent tumbling can continue for up to 150 minutes (based on the model) or until the door is opened and the load is removed. Wrinkle Shield™ Plus option adds steam to the tumbling for improved results.



Resource Saver™ system

Help the environment and decrease utility bills with the energy-efficient options and cycles of the Resource Saver™ system.

EcoBoost™ option

In the washer, this option uses a lower temperature and increased spin speed or mechanical action to provide excellent cleaning and reduce your overall energy use.[§] In the dryer, this option saves energy by using less heat and an increased cycle time.

HybridCare™ energy options

Dry each load your way. The Eco option increases energy efficiency and utility savings,[§] while the Speed option helps you get out the door faster by quickly drying clothes. The Balanced option offers the best of both time and energy savings for everyday loads.



SkipSteps™ system

Eliminate extra work and simplify the laundry process with the features of the SkipSteps™ system.

Active Spray technology

Sprays the load with detergent in a cone-shaped pattern to completely and evenly cover the fabrics.

Presoak option

You won't have to spend time soaking clothes in the sink with the Presoak option that soaks clothes right in the washer and then starts the wash cycle automatically.

SingleSwipe™ lint screen

Makes removing lint from your dryer easy, helping to improve air flow in every load and keep lint off your clothes.

Steam Clean option

Keep clothes looking great with this option that penetrates fabrics using increased wash action, rinsing and heat for even more help in breaking down deep soils like grass and dirt stains.

¥Based on an 8-lb load. ¥¥Up to 14 loads (14 lbs) per month. §Savings may vary across load type or cycle.

LAUNDRY GLOSSARY



Total Laundry Care system

Help protect items from damage with the gentle, yet effective, washing and drying provided by the Total Laundry Care system.

AccuDry™ sensor drying technology

Measures moisture and temperature levels to help reduce overdrying and automatically stop the cycle when the load is dry.

Active Bloom™ wash action

Works to thoroughly saturate clothes with water and detergent by using advanced wash actions that help clothes wash against one another for gentle fabric care.

Adaptive Wash technology

Senses each load type and then adapts water levels and wash actions, based on the type of load being washed. Select models even keep clothes looking newer longer.*

Advanced Moisture Sensing

Uses three sensors to track moisture and temperature. This adapts drying times to end the cycle when clothes are perfectly dry and helps to prevent damage caused by overdrying.

AutoDry™ drying system

Automatically senses when clothes have reached the right temperature and stops the cycle to save energy.

Care Control temperature management system

Adjusts the cold and hot water inlets to reach temperatures that are warm enough to dissolve detergents but keep the water from overheating.

Additional features

Allergen cycle

Removes up to 95% of common allergens from your clothes.**

Automatic load size sensing technology

Automatically determines the correct water level for the load size in the washer.

CEE Tier standards

Based on the Consortium for Energy Efficiency (CEE) qualifying product lists. These models feature advanced water and energy savings and may qualify for rebates from local utility companies. Visit cee1.org for more information.

Clean Washer cycle with affresh® Washer cleaner

Deep-fills the washer to clean areas that low-water systems don't typically reach. All it takes is one cup of bleach. Using affresh® Washer cleaner also effectively reduces odor-causing residue.

Cold Wash cycle

Uses adaptive wash actions together with a concentrated solution of HE detergent and cold water to gently lift stains and soils from fabrics. This cycle delivers great cleaning while protecting fabrics from heat damage.

Deep Clean option

Penetrates deep into fabric fibers, breaking down and dissolving stains without pretreating. Select models add steam enhancement for even better cleaning.

Deep Water Wash cycle

Helps break down loose soils by using more water and thorough cleaning.

Direct drive motor

Uses fewer moving parts to help our new transmission system handle larger-capacity loads with less wear and tear over time.

EasyView™ frameless glass lid with slow-close technology

Create a quiet close every time with slow-close technology that shuts quietly for an overall premium experience. The lid also provides a better view of what's being washed.

ENERGY STAR® certified

Meets government standards to help conserve natural resources and save money on your utility bills.

Flat back design

Allows you to install your dryer in places like closets, cupboards or small utility rooms where space is limited.

HE agitator with fabric softener dispenser

Get high-efficiency cleaning and fabric softener dispensing at just the right time with the HE agitator with fabric softener cap.

Long vent design

Enjoy great drying performance even when installation requires a longer vent system. These dryers are ideal for apartment buildings and condo complexes.

Low-profile impeller

Gives clothes a thorough yet gentle clean. It features a seamless surface and unique vanes to drive clothes from the outer rim to the center, where the deepest cleaning happens.

Oxi Dispense option

Boosts whitening performance with an eco-friendly alternative to bleach. An automatic dispenser distributes the oxygenated additive at the appropriate time, sending oxygen through the load to brighten fabrics.

Precision Dispense

Senses and adapts to each load, adding detergent, bleach or fabric softener at just the right time. A concentrated burst of detergent showers directly onto clothes to penetrate stains and pretreat soils.

*Models WTW7000D, WTW7300D, WTW8000D, WTW8500D, WTW8700E and WTW9500E. Compared to our pre-2009 agitator washer.

**Allergens tested were dust mites and pet dander.

LAUNDRY GLOSSARY



Quad dryer baffles

Four shorter, staggered baffles increase the effectiveness of the dryer and promote better, more even tumbling on smaller loads.

Sanitize cycle

Provides excellent care for your clothes while eliminating 99.9% of three common household bacteria.†

Smooth impeller

Select high-efficiency wash systems feature a specially designed low-profile plate at the bottom of the wash basket to give you more wash capacity and great fabric care.

Smooth Wave stainless steel wash basket

Resists odors and rust and features a spiral design for great fabric care and gentle cleaning performance.

Smooth white porcelain wash basket

Steel coated with porcelain, this basket has a smooth, durable finish that resists scratches, chemicals and rust to help protect fabric from snags and discoloration.

Spreckle porcelain wash basket

A smooth porcelain surface resists scratches, chemicals and odors and helps protect fabric from snags so your family's clothes stay looking their best. The speckled coloring also makes it easy to spot small items.



Stainless steel washer and dryer drum

The drum's stainless steel construction has a smooth surface that resists odors, rust and chipping and helps prevent fabrics from snagging or tearing.

Static Reduce option

Uses tumbling and a spray mist in the dryer to evenly reduce the amount of static in an entire load of clothes.



†Bacteria tested were *K. pneumoniae*, *P. aeruginosa* and *S. aureus*.



REFRIGERATION



Care is finding what's important

**FRENCH DOOR &
BOTTOM-FREEZER REFRIGERATOR
COLOR OPTIONS**



White (W)



Black (B)



Monochromatic
Stainless Steel (M/Y)



White Ice (H)



Black Ice (E)



Fingerprint-Resistant
Stainless Steel (Z)

REFRIGERATION



**SIDE-BY-SIDE REFRIGERATOR
COLOR OPTIONS**



White (W)



Black (B)



Biscuit (T)



Universal Silver (D)



Monochromatic
Stainless Steel (M)



White Ice (H)



Black Ice (E)

**TOP-FREEZER REFRIGERATOR
COLOR OPTIONS**



White (W)



Black (B)



Biscuit (T)



Universal Silver (D)



Stainless Steel (S)



Monochromatic
Stainless Steel (M)

**CHEST AND UPRIGHT
FREEZER COLOR OPTIONS**



White (W)



White (W)



Monochromatic
Stainless Steel (M)

**UNDERCOUNTER REFRIGERATOR &
WINE CELLAR COLOR OPTIONS**



Monochromatic
Stainless Steel (M)



Stainless Steel (S)

REFRIGERATION





Care is finding what's important.

That's why we designed our refrigerators with features that make it easy to organize and keep all of your family's favorite foods within view and reach.



Every day, care.™

French Door & Bottom-Freezer Refrigerators	68
Side-by-Side Refrigerators	92
Top-Freezer Refrigerators	103
Chest & Upright Freezers	116
Undercounter Refrigerators & Wine Cellars	123
Dimensions	128
Accessories	132
Glossary	134

FRENCH DOOR & BOTTOM-FREEZER REFRIGERATORS

Fit and find it all with special storage spots throughout



PerfectPlaces™ system

Purposeful storage zones give you ideal spaces for the items you use most. Infinity slide shelves allow you to put small items on the sides and large, high-traffic items in the center. The adjustable center panes slide back and stop at any point to give you the room you need for tall items. Stadium dividers in gallon door bins raise small items up in the back and put an end to searching for hidden jars and bottles.



StoreRight™ system

Give fresh and frozen food ideal cooling environments. Advanced dual cooling technology creates the right environment in the refrigerator and the freezer by sensing conditions and adjusting humidity levels automatically.



QuickShift™ system

Make the room you need with flexible features that adjust to make everything fit. Raise or lower the infinity slide shelves two inches simply by turning the first-ever flip adjusters to move the shelves without unloading a thing.

NOTE: Not all features available on all models.

Models shown: French Door Refrigerator WRF995FIFZ,

Front Control Gas Range WEG730H0DS, Over-the-Range Microwave WMH76719CS



FRENCH DOOR REFRIGERATORS

20 cu. ft. Refrigerator – WRF560SMY

CompleteClean system

Spillproof shelves

EasyView™ system

LED interior lighting

PerfectPlaces™ system

Fold-away shelf

Gallon door bins

Humidity-controlled double crisper

Temperature-controlled drawer

Two-tier freezer storage

ReadySet™ system

Factory-installed icemaker

StoreRight™ system

Accu-Chill™ temperature management system

Adaptive defrost

Fast Cool option

FreshFlow™ air filter

FreshFlow™ produce preserver

Additional feature

EveryDrop™ ice filtration



WRF560SMY



White (W)



Black (B)



Monochromatic
Stainless Steel (M)



White Ice (H)



Black Ice (E)

⊕ Indicates a step-up feature

For more details, see feature glossary on page 134

FRENCH DOOR REFRIGERATORS



WRF560SEY



White (W)



Black (B)



Monochromatic
Stainless Steel (M)

20 cu. ft. Refrigerator – WRF560SEY

CompleteClean™ system

Spillproof shelves

EasyView™ system

LED interior lighting

PerfectPlaces™ system

Fold-away shelf

Gallon door bins

Humidity-controlled double crisper

Temperature-controlled drawer

Two-tier freezer storage

ReadySet™ system

Factory-installed icemaker

StoreRight™ system

Accu-Chill™ temperature management system

Adaptive defrost

Fast Cool option

FreshFlow™ air filter

FreshFlow™ produce preserver

Additional feature

⊕ Exterior water dispenser with EveryDrop™ ice and water filtration



WRF532SMB



White (W)



Black (B)



Monochromatic
Stainless Steel (M)

22 cu. ft. Refrigerator – WRF532SMB

EasyView™ system

LED interior lighting

PerfectPlaces™ system

Gallon door bins

Humidity-controlled double crisper

Temperature-controlled drawer

Two-tier freezer storage

ReadySet™ system

Factory-installed icemaker

StoreRight™ system

Accu-Chill™ temperature management system

Adaptive defrost

FreshFlow™ produce preserver



FRENCH DOOR REFRIGERATORS

25 cu. ft. Refrigerator – WRF736SDA

CompleteClean system

- ⊕ Spillproof shelves

EasyView™ system

- ⊕ Panoramic LED lighting

PerfectPlaces™ system

- ⊕ Extra full shelf with In-Door-Ice® storage
- Gallon door bins
- ⊕ Pizza pocket
- Temperature-controlled drawer
- ⊕ Triple crispener
- ⊕ Tuck shelf
- Two-tier freezer storage

ReadySet™ system

- ⊕ Fast ice

StoreRight™ system

- Accu-Chill™ temperature management system
- Adaptive defrost
- ⊕ FreshFlow™ air filter
- FreshFlow™ produce preserver

Additional feature

- ⊕ Exterior ice and water dispenser with EveryDrop™ ice and water filtration



WRF736SDA



White (W)



Black (B)



Monochromatic
Stainless Steel (M)

⊕ Indicates a step-up feature

For more details, see feature glossary on page 134

FRENCH DOOR REFRIGERATORS



27 cu. ft. Refrigerator – WRF757SDE

CompleteClean system

Spillproof shelves

EasyView™ system

Panoramic LED lighting

PerfectPlaces™ system

Extra full shelf with In-Door-Ice® storage

Gallon door bins

Pizza pocket

Temperature-controlled drawer

Triple crispener

Tuck shelf

Two-tier freezer storage

StoreRight™ system

Adaptive defrost

⊕ Dual cooling

FreshFlow™ air filter

FreshFlow™ produce preserver

Additional feature

Exterior ice and water dispenser with EveryDrop™ ice and water filtration

WRF757SDE



Monochromatic
Stainless Steel (M)



White Ice (H)



Black Ice (E)

FRENCH DOOR REFRIGERATORS

27 cu. ft. Refrigerator – WRF767SDE

CompleteClean system

Spillproof shelves

EasyView™ system

Panoramic LED lighting

PerfectPlaces™ system

Extra full shelf with In-Door-Ice® storage

Gallon door bins

Pizza pocket

Temperature-controlled drawer

Triple crisper

Tuck shelf

Two-tier freezer storage

ReadySet™ system

⊕ Dual icemakers

StoreRight™ system

Adaptive defrost

Dual cooling

FreshFlow™ air filter

FreshFlow™ produce preserver

Additional feature

Exterior ice and water dispenser with EveryDrop™ ice and water filtration



WRF767SDE



Monochromatic
Stainless Steel (M)

⊕ Indicates a step-up feature

For more details, see feature glossary on page 134

FRENCH DOOR REFRIGERATORS



WRX735SDB



Monochromatic
Stainless Steel (M)

25 cu. ft. Refrigerator – WRX735SDB

CompleteClean™ system

Spillproof shelves

EasyView™ system

LED interior lighting

HelpingHand™ system

Measured Fill

PerfectPlaces™ system

⊕ Deli drawers

Gallon door bins

⊕ Refrigerated exterior drawer

Two-tier freezer storage

ReadySet™ system

Factory-installed icemaker

StoreRight™ system

Accu-Chill™ temperature
management system

Adaptive defrost

Additional feature

Exterior ice and water dispenser
with EveryDrop™ ice and water filtration

FRENCH DOOR REFRIGERATORS

26 cu. ft. Refrigerator – WRX988SIB

CompleteClean™ system

Spillproof shelves

EasyView™ system

⊕ Panoramic LED lighting

HelpingHand™ system

Measured Fill

PerfectPlaces™ system

⊕ 4-temperature selection drawer

⊕ Auto-humidity triple crispers

⊕ Extra full shelf with In-Door-Ice® storage

Gallon door bins

⊕ Pizza pocket

⊕ Small items bin

⊕ Triple-tier freezer storage

⊕ Tuck shelf

ReadySet™ system

⊕ Fast ice

StoreRight™ system

Adaptive defrost

⊕ Dual cooling

⊕ Fast Cool option

⊕ FreshFlow™ air filter

⊕ FreshFlow™ produce preserver

Additional feature

Exterior ice and water dispenser with EveryDrop™ ice and water filtration



WRX988SIB



White (W)



Black (B)



Monochromatic
Stainless Steel (M)

⊕ Indicates a step-up feature

For more details, see feature glossary on page 134

FRENCH DOOR REFRIGERATORS



WRV976FDE



Monochromatic
Stainless Steel (M)



26 cu. ft. Refrigerator – WRV976FDE

CompleteClean™ system

Spillproof shelves

EasyView™ system

Panoramic LED lighting

HelpingHand™ system

Measured Fill

PerfectPlaces™ system

⊕ 5-temperature selection drawer
with a thaw setting

Auto-humidity triple crisper

Extra full shelf with
In-Door-Ice® storage

Gallon door bins

Pizza pocket

⊕ Produce drawer

Small items bin

Tuck shelf

Two-tier freezer storage

ReadySet™ system

Fast ice

StoreRight™ system

Adaptive defrost

Dual cooling

FreshFlow™ air filter

FreshFlow™ produce preserver

Additional feature

Exterior ice and water dispenser
with EveryDrop™ ice and water filtration

FRENCH DOOR REFRIGERATORS

26 cu. ft. Refrigerator – WRV986FDE

CompleteClean system

Spillproof shelves

EasyView™ system

Panoramic LED lighting

HelpingHand™ system

Measured Fill

PerfectPlaces™ system

5-temperature selection drawer with a thaw setting

Auto-humidity triple crisper

Extra full shelf with In-Door-Ice® storage

Gallon door bins

Pizza pocket

Produce drawer

Small items bin

Tuck shelf

Two-tier freezer storage

ReadySet™ system

⊕ Dual icemakers

Fast ice

StoreRight™ system

Adaptive defrost

Dual cooling

FreshFlow™ air filter

FreshFlow™ produce preserver

Additional feature

Exterior ice and water dispenser with EveryDrop™ ice and water filtration



WRV986FDE



Monochromatic
Stainless Steel (M)

⊕ Indicates a step-up feature

For more details, see feature glossary on page 134

FRENCH DOOR REFRIGERATORS



WRF992FIF



Monochromatic
Stainless Steel (M)



White Ice (H)



Black Ice (E)



32 cu. ft. Refrigerator – WRF992FIF

EasyView™ system

Panoramic LED lighting

PerfectPlaces™ system

Auto-humidity crispers

Extra full shelf with
In-Door-Ice® storage

Gallon door bins

⊕ Infinity slide shelf

Pizza pocket

⊕ Platter pocket

Small items bin

⊕ Temperature-controlled drawer

Triple-tier freezer storage

QuickShift™ system

⊕ Flip adjusters

ReadySet™ system

Fast ice

StoreRight™ system

Dual cooling

⊕ Fast Cool option

FreshFlow™ air filter

⊕ Linear compressor

Additional feature

Exterior ice and water dispenser
with EveryDrop™ ice and water filtration

FRENCH DOOR REFRIGERATORS

32 cu. ft. Refrigerator – WRF993FIF

EasyView™ system

Panoramic LED lighting

PerfectPlaces™ system

Auto-humidity crispers

Extra full shelf with In-Door-Ice® storage

Gallon door bins

Infinity slide shelf

Pizza pocket

Platter pocket

Small items bin

Temperature-controlled drawer

Triple-tier freezer storage

QuickShift™ system

Flip adjusters

ReadySet™ system

⊕ Dual icemakers

Fast ice

StoreRight™ system

Dual cooling

Fast Cool option

FreshFlow™ air filter

Linear compressor

Additional feature

Exterior ice and water dispenser with EveryDrop™ ice and water filtration



WRF993FIF



Monochromatic
Stainless Steel (M)

⊕ Indicates a step-up feature

*Requires WiFi and account creation. App features and functionality subject to change. Subject to terms of service available at: whirlpool.com/connect. Data rates may apply.

For more details, see feature glossary on page 134

FRENCH DOOR REFRIGERATORS



WRF995FIF



Fingerprint-Resistant
Stainless Steel (Z)



32 cu. ft. Refrigerator – WRF995FIF

CareSync™ system*

- ⊕ With WiFi connectivity

CompleteClean system

- ⊕ Fingerprint-resistant stainless steel

EasyView™ system

- Panoramic LED lighting
- ⊕ Underlit shelf

PerfectPlaces™ system

- Auto-humidity crispers
- Extra full shelf with In-Door-Ice® storage
- Gallon door bins
- ⊕ Infinity slide shelves
- Pizza pocket
- Platter pocket
- Small items bin
- ⊕ Stadium divider
- Temperature-controlled drawer

⊕ Treasure™ bin

- Triple-tier freezer storage

QuickShift™ system

- Flip adjusters

ReadySet™ system

- Dual icemakers
- Fast ice

StoreRight™ system

- Dual cooling
- Fast Cool option
- FreshFlow™ air filter
- Linear compressor

Additional feature

- Exterior ice and water dispenser with EveryDrop™ ice and water filtration

COUNTER DEPTH FRENCH DOOR REFRIGERATORS

20 cu. ft. Counter Depth Refrigerator – WRF540CWB

EasyView™ system

LED interior lighting

PerfectPlaces™ system

Full-width pantry

Gallon door bins

Humidity-controlled double crisper

Two-tier freezer storage

ReadySet™ system

Factory-installed icemaker

StoreRight™ system

Accu-Chill™ temperature management system

Adaptive defrost

FreshFlow™ produce preserver

Additional feature

Interior water dispenser with
EveryDrop™ water filtration



WRF540CWB



White (W)



Black (B)



Monochromatic
Stainless Steel (M)

⊕ Indicates a step-up feature

For more details, see feature glossary on page 134

COUNTER DEPTH FRENCH DOOR REFRIGERATORS

20 cu. ft. Counter Depth Refrigerator – GI0FSAXV

CompleteClean system

- ⊕ Spillproof shelves

PerfectPlaces™ system

- Full-width pantry
- Gallon door bins
- Humidity-controlled double crisper

- ⊕ Triple-tier freezer storage

ReadySet™ system

- Factory-installed icemaker

StoreRight™ system

- Accu-Chill™ temperature management system

- Adaptive defrost

- ⊕ Fast Cool option

Additional feature

- ⊕ Exterior ice and water dispenser with EveryDrop™ ice and water filtration



Actual model
may vary

GI0FSAXV



Monochromatic
Stainless Steel (Y)

BOTTOM-FREEZER REFRIGERATORS

19 cu. ft. Refrigerator – WRB119WFB

CompleteClean system

Spillproof shelves

EasyView™ system

LED interior lighting

PerfectPlaces™ system

Butter bin

Gallon door bins

Humidity-controlled double crisper

StoreRight™ system

Accu-Chill™ temperature management system

Adaptive defrost

FreshFlow™ produce preserver

Additional features

Optional icemaker kit

Reversible side-swing freezer door



WRB119WFB



White (W)



Black (B)



Monochromatic
Stainless Steel (M)

19 cu. ft. Refrigerator – WRB329DMB

CompleteClean system

Spillproof shelves

EasyView™ system

LED interior lighting

PerfectPlaces™ system

Gallon door bins

Humidity-controlled double crisper

⊕ Two-tier freezer storage

ReadySet™ system

⊕ Factory-installed icemaker

StoreRight™ system

Accu-Chill™ temperature management system

Adaptive defrost

FreshFlow™ produce preserver



WRB329DMB



White (W)



Black (B)



Monochromatic
Stainless Steel (M)

⊕ Indicates a step-up feature

For more details, see feature glossary on page 134

BOTTOM-FREEZER REFRIGERATORS



WRB322DMB



White (W)



Black (B)



Monochromatic
Stainless Steel (M)



22 cu. ft. Refrigerator – WRB322DMB

CompleteClean™ system

Spillproof shelves

EasyView™ system

LED interior lighting

PerfectPlaces™ system

Gallon door bins

Humidity-controlled double crispers

Two-tier freezer storage

ReadySet™ system

Factory-installed icemaker

StoreRight™ system

Accu-Chill™ temperature management system

Adaptive defrost

FreshFlow™ produce preserver

FRENCH DOOR REFRIGERATORS

Bold type indicates a step-up feature

MODEL	30-inch WRF560SMY	30-inch WRF560SEY
Capacity (cu. ft.)	20	20
DESIGN FEATURES		
Freezer drawer	•	•
Metal handles	•	•
Smooth door finish	•	•
PERFORMANCE FEATURES		
Accu-Chill™ temperature management system	•	•
Adaptive defrost	•	•
Electronic temperature controls	Interior	Exterior
Fast Cool option	•	•
FreshFlow™ air filter	•	•
FreshFlow™ produce preserver	•	•
Interior lighting	LED	LED
ICE & WATER FEATURES		
Dispenser control lock	—	•
EveryDrop™ ice and water filtration	—	FILTER1
EveryDrop™ ice filtration	FILTER1	—
Factory-installed icemaker	•	•
Filtered water dispenser	—	Exterior
REFRIGERATOR STORAGE FEATURES		
Refrigerator doors		
Full-width bins – clear	3 fixed	3 fixed
Full-width gallon bins – clear	3 adjustable	3 adjustable
Refrigerator interior shelves		
Full-width fold-away spillproof glass	1 adjustable	1 adjustable
Full-width spillproof glass	1 adjustable, 1 fixed	1 adjustable, 1 fixed
Refrigerator interior storage		
Full-width temperature-controlled drawer	•	•
Humidity-controlled double crisper – clear	Split-width	Split-width
FREEZER STORAGE FEATURES		
Freezer light	•	•
Plastic basket – white	1 lower	1 lower
Plastic slide-out basket – white	1 upper	1 upper
COLORS		
Available colors*	W B M H E	W B M

*W = White, B = Black, M = Monochromatic Stainless Steel, H = White Ice, E = Black Ice

FRENCH DOOR REFRIGERATORS (CONTINUED)

Bold type indicates a step-up feature

MODEL	33-Inch WRF532SMB	36-Inch WRF736SDA	36-Inch WRF757SDE	36-Inch WRF767SDE
Capacity (cu. ft.)	22	25	27	27
DESIGN FEATURES				
CoolVox™ kitchen sound system	—	Compatible	Compatible	Compatible
Freezer drawer	•	•	•	•
Metal handles	•	•	•	•
Smooth door finish	•	•	•	•
PERFORMANCE FEATURES				
Accu-Chill™ temperature management system	•	•	—	—
Adaptive defrost	•	•	•	•
Dual cooling	—	—	•	•
Electronic temperature controls	Interior	Exterior	Exterior	Exterior
ENERGY STAR® certified	•	•	•	•
FreshFlow™ air filter	—	•	•	•
FreshFlow™ produce preserver	•	•	•	•
Interior lighting	LED	Panoramic LED	Panoramic LED	Panoramic LED
Tap Touch controls	—	•	•	•
ICE & WATER FEATURES				
Crushed ice	—	•	•	•
Dispenser control lock	—	•	•	•
Dual icemakers	—	—	—	•
EveryDrop™ ice and water filtration	—	FILTER2	FILTER2	FILTER2
Factory-installed icemaker	•	•	•	•
Fast ice	—	•	—	—
Filtered ice and water dispenser	—	Exterior	Exterior	Exterior
In-Door-Ice® storage	—	•	•	•
REFRIGERATOR STORAGE FEATURES				
Refrigerator doors				
Full-width bins – clear	4 adjustable	2 fixed	2 fixed	—
Full-width gallon bins – clear	2 adjustable	3 adjustable	3 adjustable	3 adjustable, 2 fixed
Refrigerator interior shelves				
Full-width glass	1 fixed	—	—	—
Full-width spillproof glass	—	1 fixed	1 fixed	1 fixed
Half-width glass	4 adjustable	—	—	—
Half-width spillproof glass	—	3 adjustable	3 adjustable	3 adjustable
Half-width spillproof glass tuck shelf	—	1 adjustable	1 adjustable	1 adjustable
Refrigerator interior storage				
Full-width temperature-controlled drawer	•	•	•	•
Humidity-controlled double crisper – clear	•	—	—	—
Triple crisper	—	•	•	•
FREEZER STORAGE FEATURES				
Freezer divider	—	•	•	•
Freezer light	LED	LED	LED	LED
Pizza pocket	—	•	•	•
Plastic slide-out baskets	—	2	2	2
Wire basket with plastic tray bottom	1 lower	—	—	—
Wire slide-out basket	1 upper	—	—	—
COLORS				
Available colors*	W B M	W B M	M H E	M

*W = White, B = Black, M = Monochromatic Stainless Steel, H = White Ice, E = Black Ice

FRENCH DOOR REFRIGERATORS (CONTINUED)

Bold type indicates a step-up feature

MODEL	4-Door 36-Inch WRX735SDB	4-Door 36-Inch WRX988SIB	5-Door 36-Inch WRV976FDE	5-Door 36-Inch WRV986FDE
Capacity (cu. ft.)	25	26	26	26
DESIGN FEATURES				
CoolVox™ kitchen sound system	—	Compatible	Compatible	Compatible
Metal handles	•	•	•	•
Smooth door finish	•	•	•	•
PERFORMANCE FEATURES				
Accu-Chill™ temperature management system	•	—	—	—
Adaptive defrost	•	•	•	•
Dual cooling	—	•	•	•
Electronic temperature controls	Exterior	Exterior	Exterior	Exterior
Fast Cool option	—	•	—	—
FreshFlow™ air filter	—	•	•	•
FreshFlow™ produce preserver	—	•	•	•
Interior lighting	LED	Panoramic LED	Panoramic LED	Panoramic LED
Tap Touch controls	•	•	•	•
ICE & WATER FEATURES				
Crushed ice	•	•	•	•
Dispenser control lock	•	•	•	•
Dual icemakers	—	—	—	•
EveryDrop™ ice and water filtration	FILTER4	FILTER2	FILTER2	FILTER2
Factory-installed icemaker	•	•	•	•
Fast ice	—	•	•	•
Filtered ice and water dispenser	Exterior	Exterior	Exterior	Exterior
In-Door-Ice® storage	—	•	•	•
Measured Fill	•	•	•	•
REFRIGERATOR STORAGE FEATURES				
Refrigerator doors				
Full-width bins – clear	3 fixed	1 fixed	1 fixed	1 fixed
Full-width gallon bins – clear	3 adjustable	3 adjustable	3 adjustable	3 adjustable
Refrigerator interior shelves				
Half-width spillproof glass	2 adjustable	3 adjustable	3 adjustable	3 adjustable
Half-width spillproof glass tuck shelf	—	1 adjustable	1 adjustable	1 adjustable
Half-width spillproof glass slide-out	1 adjustable	—	—	—
Full-width spillproof glass	1 fixed	1 fixed	1 fixed	1 fixed
Mini spillproof glass	1 adjustable	—	—	—
Refrigerator interior storage				
Deli drawers – clear	2	—	—	—
Refrigerated exterior drawer	•	Temperature-controlled	5-temperature selection drawer & produce drawer	5-temperature selection drawer & produce drawer
Small items bin	—	•	•	•
Snack compartment – clear	2	—	—	—
Triple crisper	—	Auto-humidity	Auto-humidity	Auto-humidity
FREEZER STORAGE FEATURES				
Freezer divider	—	1 adjustable	—	—
Freezer light	LED	LED	LED	LED
Pizza pocket	—	•	•	•
Plastic slide-out baskets – white	—	3	2	2
Wire slide-out baskets	2	—	—	—
COLORS				
Available colors*	M	W B M	M	M

*W = White, B = Black, M = Monochromatic Stainless Steel

FRENCH DOOR REFRIGERATORS (CONTINUED)

Bold type indicates a step-up feature

MODEL	36-Inch WRF992FIF	36-Inch WRF993FIF	36-Inch WRF995FIF
Capacity (cu. ft.)	32	32	32
DESIGN FEATURES			
Metal handles	•	•	•
Smooth door finish	•	•	•
WiFi connectivity*	—	—	•
PERFORMANCE FEATURES			
Adaptive defrost	•	•	•
Dual cooling	•	•	•
Electronic temperature controls	Interior	Interior	Interior
ENERGY STAR® certified	—	•	•
Fast Cool option	•	•	•
Flip adjusters	•	•	•
FreshFlow™ air filter	•	•	•
Interior lighting	Panoramic LED	Panoramic LED	Panoramic LED
Linear compressor	•	•	•
ICE & WATER FEATURES			
Crushed ice	•	•	•
Dispenser control lock	•	•	•
Dual icemakers	—	•	•
EveryDrop™ ice and water filtration	FILTER2	FILTER2	FILTER2
Factory-installed icemaker	•	•	•
Fast ice	•	•	•
Filtered ice and water dispenser	Exterior	Exterior	Exterior
In-Door-Ice® storage	•	•	•
Measured Fill	•	•	•
REFRIGERATOR STORAGE FEATURES			
Refrigerator doors			
Small door bins – clear	2 fixed	2 fixed	2 fixed
Full-width gallon bins – clear	1 adjustable, 4 fixed	1 adjustable, 4 fixed	1 adjustable, 4 fixed
Full-width half gallon bin – clear	1 fixed	1 fixed	—
Stadium divider	—	—	•
Treasure™ bin	—	—	•
Refrigerator interior shelves			
Full-width spillproof glass	2 adjustable	2 adjustable	1 adjustable
Infinity slide	1 adjustable	1 adjustable	1 adjustable, 1 adjustable underlit
Platter pocket	•	•	•
Refrigerator interior storage			
Double crisper – clear	Auto-humidity	Auto-humidity	Auto-humidity
Small items bin	•	•	•
Temperature-controlled drawer	•	•	•
FREEZER STORAGE FEATURES			
Freezer divider	1 adjustable	1 adjustable	1 adjustable
Freezer light	LED	LED	LED
Pizza pocket	•	•	•
Plastic slide-out baskets	3	3	3
COLORS			
Available colors**	M H E	M	Z

*Requires WiFi and account creation. App features and functionality subject to change. Subject to terms of service available at: whirlpool.com/connect. Data rates may apply.

**M = Monochromatic Stainless Steel, Z = Fingerprint-Resistant Stainless Steel, H = White Ice, E = Black Ice

FRENCH DOOR REFRIGERATORS (CONTINUED)

Bold type indicates a step-up feature

MODEL	Counter Depth 36-Inch WRF540CWB	Counter Depth 36-Inch GIOFSAXV
Capacity (cu. ft.)	20	20
DESIGN FEATURES		
Metal handles	•	•
Smooth door finish	•	•
PERFORMANCE FEATURES		
Accu-Chill™ temperature management system	•	•
Adaptive defrost	•	•
Electronic temperature controls	Exterior	Exterior
ENERGY STAR® certified	•	—
Fast Cool option	—	•
FreshFlow™ produce preserver	•	—
Interior lighting	LED	Incandescent
Tap Touch controls	—	—
ICE & WATER FEATURES		
Dispenser control lock	—	•
EveryDrop™ ice and water filtration	—	FILTER4
EveryDrop™ water filtration	FILTER4	—
Factory-installed icemaker	•	•
Filtered ice and water dispenser	—	Exterior
Filtered water dispenser	Interior	—
REFRIGERATOR STORAGE FEATURES		
Refrigerator doors		
Full-width bins – clear	4 adjustable	2 adjustable
Full-width gallon bins – clear	2 adjustable	2 adjustable
Mini bins	—	2 fixed
Refrigerator interior shelves		
Half-width frameless glass	4 adjustable	—
Half-width spillproof glass slide-out	—	3 adjustable
Full-width frameless glass	1 fixed	—
Full-width spillproof glass	—	1 fixed
Mini spillproof glass	—	1 adjustable
Refrigerator interior storage		
Full-width temperature-controlled pantry	•	•
Humidity-controlled double crisper – clear	•	•
FREEZER STORAGE FEATURES		
Freezer light	LED	Incandescent
Plastic basket – white	—	1 lower
Plastic slide-out baskets – white	—	2 upper
Wire basket with plastic tray bottom	1 lower	—
Wire slide-out basket	1 upper	—
COLORS		
Available colors*	W B M	Y

*W = White, B = Black, M/Y = Monochromatic Stainless Steel

BOTTOM-FREEZER REFRIGERATORS

Bold type indicates a step-up feature

MODEL	30-Inch WRB119WFB	30-Inch WRB329DMB	33-Inch WRB322DMB
Capacity (cu. ft.)	19	19	22
DESIGN FEATURES			
Freezer drawer	—	•	•
Metal handles	•	•	•
Reversible side-swing freezer door	•	—	—
Reversible side-swing refrigerator door	•	•	•
Smooth door finish	•	•	•
PERFORMANCE FEATURES			
Accu-Chill™ temperature management system	•	•	•
Adaptive defrost	•	•	•
Electronic temperature controls	Interior	Interior	Interior
ENERGY STAR® certified	•	•	•
FreshFlow™ produce preserver	•	•	•
Interior lighting	LED	LED	LED
ICE & WATER FEATURES			
Factory-installed icemaker	—	•	•
Optional icemaker kit	Part No. IC13B	—	—
REFRIGERATOR STORAGE FEATURES			
Refrigerator door			
Butter bin – clear	•	—	—
Full-width gallon bin – white	1 fixed	1 fixed	1 fixed
Half-width bins – clear	—	5 adjustable	5 adjustable
Half-width bins – white	4 adjustable	—	—
Refrigerator interior shelves			
Full-width spillproof glass	1 adjustable, 1 fixed	1 fixed	1 fixed
Half-width spillproof glass	2 adjustable	4 adjustable	4 adjustable
Refrigerator interior storage			
Humidity-controlled double crisper – clear	•	•	•
Snack compartment – clear	•	•	•
FREEZER STORAGE FEATURES			
Fixed door bin	•	—	—
Freezer light	LED	LED	LED
Wire basket	1 lower	1 lower	1 lower
Wire shelf	•	—	—
Wire slide-out basket	—	1 upper	1 upper
COLORS			
Available colors*	W B M	W B M	W B M

*W = White, B = Black, M = Monochromatic Stainless Steel

SIDE-BY-SIDE REFRIGERATORS

Space-saving storage for fresh and frozen foods



PerfectPlaces™ system

Purposeful storage zones give you ideal spaces for the items you use most. In-Door-Ice® storage moves the ice bin to the door to give you back an extra full shelf in the freezer. Free up even more shelf space with gallon door bins that allow you to store milk, juice and other large containers in the door.



CompleteClean system

Clean up kitchen messes quickly. Spillproof shelves contain leaks and prevent spills from dripping onto other shelves.



StoreRight™ system

Give fresh and frozen food ideal cooling environments. Advanced dual cooling technology creates the right environment in the refrigerator and the freezer by sensing conditions and adjusting humidity levels automatically.

NOTE: Not all features available on all models.
Models shown: Side-by-Side Refrigerator WRS975SIDM, Over-the-Range Microwave WMH76719CS, Front Control Gas Range WEG730H0DS



SIDE-BY-SIDE REFRIGERATORS

22 cu. ft. Refrigerator – WRS322FNA

CompleteClean system

Spillproof shelves

EasyView™ system

LED interior lighting

PerfectPlaces™ system

Butter bin

Deli drawer

Gallon door bins

Humidity-controlled double crisper

StoreRight™ system

Accu-Chill™ temperature management system

Adaptive defrost



WRS322FNA



Monochromatic
Stainless Steel (M)



White Ice (H)



Black Ice (E)

25 cu. ft. Refrigerator – WRS325FNA

CompleteClean system

Spillproof shelves

EasyView™ system

LED interior lighting

PerfectPlaces™ system

Butter bin

Deli drawer

Gallon door bins

Humidity-controlled double crisper

StoreRight™ system

Accu-Chill™ temperature management system

Adaptive defrost



WRS325FNA



Monochromatic
Stainless Steel (M)



White Ice (H)



Black Ice (E)

⊕ Indicates a step-up feature

For more details, see feature glossary on page 134

SIDE-BY-SIDE REFRIGERATORS



WRS322FDA



White (W)



Black (B)



Biscuit (T)



Universal
Silver (D)



Monochromatic
Stainless Steel (M)

21 cu. ft. Refrigerator – WRS322FDA

CompleteClean system

Spillproof shelves

EasyView™ system

LED interior lighting

PerfectPlaces™ system

Butter bin

Deli drawer

Gallon door bins

Humidity-controlled double crisper

ReadySet™ system

⊕ Factory-installed icemaker

StoreRight™ system

Accu-Chill™ temperature management system

Adaptive defrost

Additional feature

⊕ Exterior ice and water dispenser with EveryDrop™ ice and water filtration



WRS325FDA



White (W)



Black (B)



Biscuit (T)



Universal
Silver (D)



Monochromatic
Stainless Steel (M)

25 cu. ft. Refrigerator – WRS325FDA

CompleteClean system

Spillproof shelves

EasyView™ system

LED interior lighting

PerfectPlaces™ system

Butter bin

Deli drawer

Gallon door bins

Humidity-controlled double crisper

ReadySet™ system

Factory-installed icemaker

StoreRight™ system

Accu-Chill™ temperature management system

Adaptive defrost

Additional feature

Exterior ice and water dispenser with EveryDrop™ ice and water filtration

SIDE-BY-SIDE REFRIGERATORS

21 cu. ft. Refrigerator – WRS331FDD

CompleteClean system

Spillproof shelves

EasyView™ system

LED interior lighting

PerfectPlaces™ system

Butter bin

Deli drawer

Gallon door bins

Humidity-controlled double crisper

ReadySet™ system

Factory-installed icemaker

StoreRight™ system

Accu-Chill™ temperature management system

Adaptive defrost

Additional feature

Exterior ice and water dispenser with EveryDrop™ ice and water filtration



WRS331FDD



White (W)



Black (B)



Monochromatic
Stainless Steel (M)

25 cu. ft. Refrigerator – WRS335FDD

CompleteClean system

Spillproof shelves

EasyView™ system

LED interior lighting

PerfectPlaces™ system

Butter bin

Deli drawer

Gallon door bins

Humidity-controlled double crisper

ReadySet™ system

Factory-installed icemaker

StoreRight™ system

Accu-Chill™ temperature management system

Adaptive defrost

Additional feature

Exterior ice and water dispenser with EveryDrop™ ice and water filtration



WRS335FDD



White (W)



Black (B)



Monochromatic
Stainless Steel (M)

⊕ Indicates a step-up feature

For more details, see feature glossary on page 134

SIDE-BY-SIDE REFRIGERATORS



WRS342FIA



White (W)



Black (B)



Monochromatic
Stainless Steel (M)

21 cu. ft. Refrigerator – WRS342FIA

CompleteClean system

Spillproof shelves

EasyView™ system

LED interior lighting

PerfectPlaces™ system

Butter bin

Deli drawer

⊕ Extra full shelf with In-Door-Ice® storage

Gallon door bins

Humidity-controlled double crisper

StoreRight™ system

Accu-Chill™ temperature management system

Adaptive defrost

Additional feature

Exterior ice and water dispenser with EveryDrop™ ice and water filtration



WRS576FID



White (W)



Black (B)



Monochromatic
Stainless Steel (M)

26 cu. ft. Refrigerator – WRS576FID

CompleteClean system

Spillproof shelves

EasyView™ system

LED interior lighting

PerfectPlaces™ system

Butter bin

Deli drawer

⊕ Extra full shelf with In-Door-Ice® storage

Gallon door bins

Humidity-controlled double crisper

ReadySet™ system

⊕ Fast ice

StoreRight™ system

Accu-Chill™ temperature management system

Adaptive defrost

⊕ FreshFlow™ air filter

Additional feature

Exterior ice and water dispenser with EveryDrop™ ice and water filtration

SIDE-BY-SIDE REFRIGERATORS

26 cu. ft. Refrigerator – WRS586FIE

EasyView™ system

LED interior lighting

PerfectPlaces™ system

Butter bin

Deli drawer

Extra full shelf with In-Door-Ice® storage

Gallon door bins

Humidity-controlled double crisper

ReadySet™ system

Fast ice

StoreRight™ system

Accu-Chill™ temperature management system

Adaptive defrost

FreshFlow™ air filter

Additional feature

Exterior ice and water dispenser with EveryDrop™ ice and water filtration



WRS586FIE



Monochromatic
Stainless Steel (M)



White Ice (H)



Black Ice (E)

25 cu. ft. Refrigerator – WRS975SID

CompleteClean system

⊕ Spillproof shelves

EasyView™ system

⊕ Panoramic LED interior lighting

HelpingHand™ system

⊕ Measured Fill

PerfectPlaces™ system

Butter bin

Deli drawer

Extra full shelf with In-Door-Ice® storage

Gallon door bins

Humidity-controlled double crisper

⊕ Wine rack

ReadySet™ system

Fast ice

StoreRight™ system

Adaptive defrost

⊕ Dual cooling

FreshFlow™ air filter

Additional feature

Exterior ice and water dispenser with EveryDrop™ ice and water filtration



WRS975SID



Monochromatic
Stainless Steel (M)

⊕ Indicates a step-up feature

For more details, see feature glossary on page 134

COUNTER DEPTH SIDE-BY-SIDE REFRIGERATORS



WRS571CID



White (W)



Black (B)



Monochromatic
Stainless Steel (M)



WRS970CID



Monochromatic
Stainless Steel (M)



White Ice (H)



Black Ice (E)

21 cu. ft. Counter Depth Refrigerator – WRS571CID

CompleteClean system

Spillproof shelves

EasyView™ system

LED interior lighting

PerfectPlaces™ system

Butter bin

Deli drawer

Extra full shelf with In-Door-Ice® storage

Gallon door bins

Humidity-controlled double crisper

ReadySet™ system

Fast ice

StoreRight™ system

Accu-Chill™ temperature management system

Adaptive defrost

FreshFlow™ air filter

Additional feature

Exterior ice and water dispenser with EveryDrop™ ice and water filtration

20 cu. ft. Counter Depth Refrigerator – WRS970CID

CompleteClean system

Spillproof shelves

EasyView™ system

⊕ Panoramic LED interior lighting

HelpingHand™ system

⊕ Measured Fill

PerfectPlaces™ system

Butter bin

Deli drawer

Extra full shelf with In-Door-Ice® storage

Gallon door bins

Humidity-controlled double crisper

⊕ Wine rack

ReadySet™ system

Fast ice

StoreRight™ system

Adaptive defrost

⊕ Dual cooling

FreshFlow™ air filter

Additional feature

Exterior ice and water dispenser with EveryDrop™ ice and water filtration

COUNTER DEPTH SIDE-BY-SIDE REFRIGERATORS

23 cu. ft. Counter Depth Refrigerator – WRS973CID

CompleteClean system

Spillproof shelves

EasyView™ system

Panoramic LED interior lighting

HelpingHand™ system

Measured Fill

PerfectPlaces™ system

Butter bin

Deli drawer

Extra full shelf with In-Door-Ice® storage

Gallon door bins

Humidity-controlled double crisper

Wine rack

ReadySet™ system

Fast ice

StoreRight™ system

Adaptive defrost

Dual cooling

FreshFlow™ air filter

Additional feature

Exterior ice and water dispenser
with EveryDrop™ ice and water filtration



WRS973CID



Monochromatic
Stainless Steel (M)

SIDE-BY-SIDE REFRIGERATORS

Bold type indicates a step-up feature

MODEL	33-Inch WRS322FNA	36-Inch WRS325FNA	33-Inch WRS322FDA	36-Inch WRS325FDA	33-Inch WRS331FDD	36-Inch WRS335FDD	33-Inch WRS342FIA
Capacity (cu. ft.)	22	25	21	25	21	25	21
DESIGN FEATURES							
Flat door styling	•	•	•	•	•	•	•
Metal handles*	•	•	•	•	•	•	•
Smooth door finish	•	•	•	•	•	•	•
PERFORMANCE FEATURES							
Accu-Chill™ temperature management system	•	•	•	•	•	•	•
Adaptive defrost	•	•	•	•	•	•	•
Electronic temperature controls	Interior	Interior	Interior	Interior	Interior	Interior	Exterior
ENERGY STAR® certified	—	—	—	—	•	•	—
Interior lighting	LED	LED	LED	LED	LED	LED	LED
ICE & WATER FEATURES							
Control lock	•	•	•	•	•	•	•
Door alarm	—	—	—	—	•	•	•
EveryDrop™ ice and water filtration	—	—	FILTER1	FILTER1	FILTER1	FILTER1	FILTER1
Factory-installed icemaker	—	—	•	•	•	•	•
Filtered ice and water dispenser	—	—	Exterior	Exterior	Exterior	Exterior	Exterior
In-Door-Ice® storage	—	—	—	—	—	—	•
LED dispenser night-light	—	—	—	—	•	•	•
Water filter indicator light	—	—	•	•	•	•	•
REFRIGERATOR STORAGE FEATURES							
Refrigerator door							
Butter bin – clear	•	•	•	•	•	•	•
Full-width gallon bins – clear	3 adjustable	3 adjustable	3 adjustable	3 adjustable	3 adjustable	3 adjustable	3 adjustable
Full-width shelf – white	1 fixed	1 fixed	1 fixed	1 fixed	1 fixed	1 fixed	1 fixed
Refrigerator interior shelves							
Spillproof glass	2 adjustable, 1 fixed	2 adjustable, 1 fixed	2 adjustable, 1 fixed	2 adjustable, 1 fixed	2 adjustable, 1 fixed	2 adjustable, 1 fixed	2 adjustable, 1 fixed
Refrigerator interior storage							
Can caddy	—	—	—	—	—	—	•
Deli drawer – clear	•	•	•	•	•	•	•
Humidity-controlled double crisper – clear	•	•	•	•	•	•	•
FREEZER STORAGE FEATURES							
Freezer door							
Full-width shelves	6 fixed	6 fixed	4 fixed	4 fixed	4 fixed	4	4
Freezer interior storage							
Basket – white	1	1	1	1	1	1	1
Wire shelves	3	3	3	3	3	3	4
COLORS							
Available colors**	M H E	M H E	W B T D M	W B T D M	W B M	W B M	W B M

*Monochromatic Stainless Steel, White Ice and Black Ice models only.

**W = White, B = Black, T = Biscuit, D = Universal Silver, M = Monochromatic Stainless Steel, H = White Ice, E = Black Ice

SIDE-BY-SIDE REFRIGERATORS (CONTINUED)

Bold type indicates a step-up feature

MODEL	36-Inch WRS576FID	36-Inch WRS586FIE	36-Inch WRS975SID	Counter Depth 38-Inch WRS571CID	Counter Depth 36-Inch WRS970CID	Counter Depth 36-Inch WRS973CID
Capacity (cu. ft.)	26	26	25	21	20	23
DESIGN FEATURES						
Flat door styling	•	•	•	•	•	•
Metal handles*	•	•	•	•	•	•
Smooth door finish	•	•	•	•	•	•
PERFORMANCE FEATURES						
Accu-Chill™ temperature management system	•	•	—	•	—	—
Adaptive defrost	•	•	•	•	•	•
Dual cooling	—	—	•	—	•	•
Electronic temperature controls	Exterior	Exterior	Exterior	Exterior	Exterior	Exterior
ENERGY STAR® certified	—	•	•	—	—	—
FreshFlow™ air filter	•	•	•	•	•	•
Interior lighting	LED	LED	Panoramic LED	LED	Panoramic LED	Panoramic LED
ICE & WATER FEATURES						
Control lock	•	•	•	•	•	•
Door alarm	•	•	•	•	•	•
EveryDrop™ ice and water filtration	FILTER1	FILTER1	FILTER1	FILTER1	FILTER1	FILTER1
Factory-installed icemaker	•	•	•	•	•	•
Fast ice	•	•	•	•	•	•
Filtered ice and water dispenser	Exterior	Exterior	Exterior	Exterior	Exterior	Exterior
In-Door-Ice® storage	•	•	•	•	•	•
LED dispenser night-light	•	•	•	•	•	•
Measured Fill	—	—	•	—	•	•
Tap Touch controls	—	—	•	—	•	•
Water filter indicator light	•	•	•	•	•	•
REFRIGERATOR STORAGE FEATURES						
Refrigerator door						
Butter bin – clear	•	•	•	•	•	•
Full-width gallon bins – clear	2 adjustable	2 adjustable	2 adjustable	2 adjustable	2 adjustable	2 adjustable
Full-width bins – clear	2 adjustable	2 adjustable	2 adjustable	2 adjustable	2 adjustable	2 adjustable
Refrigerator interior shelves						
Frameless glass	—	3 adjustable, 1 fixed	—	—	—	—
Spillproof glass	3 adjustable, 1 fixed	—	3 adjustable, 1 fixed	3 adjustable, 1 fixed	3 adjustable, 1 fixed	3 adjustable, 1 fixed
Refrigerator interior storage						
Can caddy	—	—	•	—	•	•
Deli drawer – clear	•	•	•	•	•	•
Humidity-controlled double crisper – clear	•	•	•	•	•	•
Wine rack	—	—	•	—	•	•
FREEZER STORAGE FEATURES						
Freezer door						
Full-width bins – clear	3 adjustable	3 adjustable	3 adjustable	3 adjustable	3 adjustable	3 adjustable
Freezer interior storage						
Basket – clear	1	1	2	1	2	2
Glass shelves	4	4	3	4	3	3
COLORS						
Available colors**	W B M	M H E	M	W B M	M H E	M

*Monochromatic Stainless Steel, White Ice and Black Ice models only.

**W = White, B = Black, M = Monochromatic Stainless Steel, H = White Ice, E = Black Ice

TOP-FREEZER REFRIGERATORS

Classic configuration with top innovations



EasyView™ system

Thoughtful design keeps everything in sight to help you find just what you're looking for. LED interior lighting reduces shadows in corners and under shelves to help keep your refrigerator bright and food in sight.



QuickShift™ system

Make the room you need with flexible features that adjust to make everything fit. The Flexi-Slide™ bin moves side-to-side so you can make space for larger items.



PerfectPlaces™ system

Purposeful storage zones give you ideal spaces for the items you use most. Store milk, juice and other large containers in the door to free up shelf space with gallon door bins. Humidity-controlled double crispers provide the ideal space for fruits and vegetables at the right temperature.

NOTE: Not all features available on all models.

TOP-FREEZER REFRIGERATORS

11 cu. ft. Refrigerator – WRT111SFD

CompleteClean system

Spillproof shelves

PerfectPlaces™ system

Full-width crisper

Gallon door bin

QuickSelect™ system

Freezer temperature controls

Up-front electronic temperature controls

StoreRight™ system

Automatic defrost

Additional feature

Optional icemaker kit



WRT111SFD



White (W)



Black (B)



Monochromatic
Stainless Steel (M)

14 cu. ft. Refrigerator – WRT104TFD

PerfectPlaces™ system

⊕ Butter bin

⊕ Double crisper

Gallon door bin

QuickSelect™ system

Freezer temperature controls

StoreRight™ system

Automatic defrost

Additional feature

Optional icemaker kit



WRT104TFD



White (W)



Black (B)



Biscuit (T)

⊕ Indicates a step-up feature

For more details, see feature glossary on page 134

TOP-FREEZER REFRIGERATORS



WRT314TFD



White (W)



Black (B)



WRT134TFD



White (W)



Black (B)

14 cu. ft. Refrigerator – WRT314TFD

PerfectPlaces™ system

- Butter bin
- Double crisper
- Gallon door bin

QuickSelect™ system

- Freezer temperature controls

StoreRight™ system

- Automatic defrost

Additional feature

- Optional icemaker kit



14 cu. ft. Refrigerator – WRT134TFD

PerfectPlaces™ system

- Butter bin
- Double crisper
- Gallon door bin

QuickSelect™ system

- Freezer temperature controls

StoreRight™ system

- Automatic defrost

Additional feature

- Optional icemaker kit

TOP-FREEZER REFRIGERATORS

16 cu. ft. Refrigerator – WRT106TFD

PerfectPlaces™ system

- Butter bin
- Double crisper
- Gallon door bin

QuickSelect™ system

- Freezer temperature controls

StoreRight™ system

- Automatic defrost

Additional feature

- Optional icemaker kit



WRT106TFD



White (W)



Black (B)



Biscuit (T)

16 cu. ft. Refrigerator – WRT316SFD

PerfectPlaces™ system

- Butter bin
- Double crisper
- Gallon door bin

QuickSelect™ system

- Freezer temperature controls

QuickShift™ system

⊕ Flexi-Slide™ bin

StoreRight™ system

- Automatic defrost

Additional feature

- Optional icemaker kit



WRT316SFD



White (W)



Black (B)



Monochromatic
Stainless Steel (M)

⊕ Indicates a step-up feature

For more details, see feature glossary on page 134

TOP-FREEZER REFRIGERATORS



WRT108FZD



White (W)



Black (B)



Biscuit (T)



Monochromatic
Stainless Steel (M)

18 cu. ft. Refrigerator – WRT108FZD

PerfectPlaces™ system

Butter bin

Gallon door bin

⊕ Smooth glide double crisper

QuickSelect™ system

⊕ Electronic refrigerator
temperature controls

Freezer temperature controls

QuickShift™ system

Flexi-Slide™ bin

StoreRight™ system

Automatic defrost

Additional feature

⊕ Optional EZ Connect icemaker kit



WRT138FZD



White (W)



Black (B)



Monochromatic
Stainless Steel (M)



18 cu. ft. Refrigerator – WRT138FZD

PerfectPlaces™ system

Butter bin

Gallon door bin

Smooth glide double crisper

QuickSelect™ system

Electronic refrigerator
temperature controls

Freezer temperature controls

QuickShift™ system

Flexi-Slide™ bin

StoreRight™ system

Automatic defrost

Additional feature

Optional EZ Connect icemaker kit

TOP-FREEZER REFRIGERATORS

18 cu. ft. Refrigerator – WRT318FZD

PerfectPlaces™ system

- Butter bin
- Gallon door bin
- ⊕ Humidity-controlled smooth glide double crisper

QuickSelect™ system

- Electronic refrigerator temperature controls
- Freezer temperature controls

QuickShift™ system

- Flexi-Slide™ bin

StoreRight™ system

- Automatic defrost

Additional feature

- Optional EZ Connect icemaker kit



WRT318FZD



White (W)



Black (B)



Monochromatic
Stainless Steel (M)

18 cu. ft. Refrigerator – WRT318FMD

PerfectPlaces™ system

- Butter bin
- Gallon door bin
- Humidity-controlled smooth glide double crisper

QuickSelect™ system

- Electronic refrigerator temperature controls
- Freezer temperature controls

QuickShift™ system

- Flexi-Slide™ bin

ReadySet™ system

- ⊕ Factory-installed icemaker

StoreRight™ system

- Automatic defrost



WRT318FMD



White (W)



Black (B)



Monochromatic
Stainless Steel (M)

⊕ Indicates a step-up feature

For more details, see feature glossary on page 134

TOP-FREEZER REFRIGERATORS



18 cu. ft. Refrigerator – WRT348FME

PerfectPlaces™ system

- Butter bin
- Gallon door bin
- Smooth glide double crisper

QuickSelect™ system

- Electronic refrigerator temperature controls
- Freezer temperature controls

ReadySet™ system

- Factory-installed icemaker

StoreRight™ system

- Automatic defrost



WRT348FME



White (W)

Black (B)

Stainless Steel (S)

19 cu. ft. Refrigerator – WRT519SZD

EasyView™ system

- ⊕ Clear door bins
- ⊕ LED interior lighting (refrigerator)

PerfectPlaces™ system

- ⊕ Adjustable gallon door bins
- Butter bin
- ⊕ Humidity-controlled smooth glide double crisper

QuickSelect™ system

- Electronic refrigerator temperature controls
- Freezer temperature controls

QuickShift™ system

- ⊕ Flexi-Slide™ bin

StoreRight™ system

- Automatic defrost

Additional feature

- Optional EZ Connect icemaker kit



WRT519SZD



White (W)

Black (B)

Biscuit (T)

Universal Silver (D)

Monochromatic Stainless Steel (M)

TOP-FREEZER REFRIGERATORS

19 cu. ft. Refrigerator – WRT549SZD

EasyView™ system

- Clear door bins
- LED interior lighting (refrigerator)

PerfectPlaces™ system

- Adjustable gallon door bins
- Butter bin
- Humidity-controlled smooth glide double crisper

QuickSelect™ system

- Electronic refrigerator temperature controls
- Freezer temperature controls

QuickShift™ system

- Flexi-Slide™ bin

StoreRight™ system

- Automatic defrost

Additional feature

- Optional EZ Connect icemaker kit



WRT549SZD



White (W)



Black (B)



Monochromatic
Stainless Steel (M)

20 cu. ft. Refrigerator – WRT311FZD

EasyView™ system

- Clear door bins
- LED interior lighting (refrigerator)

PerfectPlaces™ system

- Adjustable gallon door bins
- Butter bin
- Humidity-controlled smooth glide double crisper

QuickSelect™ system

- Freezer temperature controls

QuickShift™ system

- Flexi-Slide™ bin

StoreRight™ system

- Automatic defrost

Additional feature

- Optional EZ Connect icemaker kit



WRT311FZD



White (W)



Black (B)



Biscuit (T)



Monochromatic
Stainless Steel (M)

⊕ Indicates a step-up feature

For more details, see feature glossary on page 134

TOP-FREEZER REFRIGERATORS



WRT511SZD



White (W)

Black (B)

Monochromatic
Stainless Steel (M)

21 cu. ft. Refrigerator – WRT511SZD

EasyView™ system

Clear door bins

LED interior lighting
(refrigerator & freezer)

PerfectPlaces™ system

Adjustable gallon door bins

Butter bin

Humidity-controlled
smooth glide double crisper

QuickSelect™ system

Freezer temperature controls

QuickShift™ system

Flexi-Slide™ bin

StoreRight™ system

Automatic defrost

Additional feature

Optional EZ Connect icemaker kit



WRT541SZD



White (W)

Black (B)

Monochromatic
Stainless Steel (M)

21 cu. ft. Refrigerator – WRT541SZD

EasyView™ system

Clear door bins

LED interior lighting
(refrigerator & freezer)

PerfectPlaces™ system

Adjustable gallon door bins

Butter bin

Humidity-controlled
smooth glide double crisper

QuickSelect™ system

Freezer temperature controls

QuickShift™ system

Flexi-Slide™ bin

StoreRight™ system

Automatic defrost

Additional feature

Optional EZ Connect icemaker kit



TOP-FREEZER REFRIGERATORS

Bold type indicates a step-up feature

MODEL	25-Inch WRT111SFD	28-Inch WRT104TFD	28-Inch WRT314TFD	28-Inch WRT134TFD	28-Inch WRT106TFD
Capacity (cu. ft.)	11	14	14	14	16
DESIGN FEATURES					
Contoured door	•	—	—	—	—
Door reversal kit available	•	•	•	•	•
Flat door	—	•	•	•	•
Hidden hinges	•	—	—	—	—
Plastic handles	—	•	•	•	•
Pocket handles	•	—	—	—	—
Smooth door finish	•	—	—	—	—
Textured door finish	—	•	•	•	•
PERFORMANCE FEATURES					
ENERGY STAR® certified	—	—	—	•	—
Freezer temperature control	•	•	•	•	•
Interior lighting	•	•	•	•	•
Refrigerator temperature control	•	•	•	•	•
ICE & WATER FEATURE					
Optional icemaker kit	Part No. 24ECKMF	Part No. ECKMF95	Part No. ECKMF95	Part No. ECKMF95	Part No. ECKMF95
REFRIGERATOR STORAGE FEATURES					
Refrigerator door					
Butter bin – clear	—	•	•	•	•
Full-width gallon door bin – clear	1 fixed	1 fixed	1 fixed	1 fixed	1 fixed
Full-width shelves	2 fixed	1 fixed	1 fixed	1 fixed	1 fixed
Partial-width shelf	—	1 fixed	1 fixed	1 fixed	1 fixed
Refrigerator interior shelves					
Full-width glass	2 adjustable, 1 fixed	1 fixed	2 adjustable, 1 fixed	1 fixed	1 fixed
Full-width wire	—	2 adjustable	—	2 adjustable	2 adjustable
Refrigerator interior storage					
Full-width crisper – clear	1	—	—	—	—
Half-width double crisper – clear	—	2	2	2	2
FREEZER STORAGE FEATURES					
Freezer door					
Full-width bins – clear	2	—	—	—	—
Full-width shelves	—	2	2	2	2
Freezer interior storage					
Full-width wire shelf	—	1 adjustable	1 fixed	1 adjustable	1 adjustable
Half-width wire shelf	1 fixed	—	—	—	—
COLORS					
Available colors*	W B M	W B T	W B	W B	W B T

*W = White, B = Black, T = Biscuit, M = Monochromatic Stainless Steel

TOP-FREEZER REFRIGERATORS (CONTINUED)

Bold type indicates a step-up feature

MODEL	28-Inch WRT316SFD	30-Inch WRT108FZD	30-Inch WRT138FZD
Capacity (cu. ft.)	16	18	18
DESIGN FEATURES			
Contoured door	•	—	—
Door reversal kit available	•	•	•
Flat door	—	•	•
Hidden hinges	•	•	•
Metal handles*	—	•	•
Pocket handles	•	—	—
Smooth door finish	•	•	•
PERFORMANCE FEATURES			
ENERGY STAR® certified	—	—	•
Freezer temperature control	•	•	•
Interior lighting	•	•	•
Refrigerator temperature control	•	Electronic	Electronic
ICE & WATER FEATURES			
Optional EZ Connect icemaker kit	—	Part No. ECKMFEZ2	Part No. ECKMFEZ2
Optional icemaker kit	Part No. ECKMF95	—	—
REFRIGERATOR STORAGE FEATURES			
Refrigerator door			
Butter bin – clear	•	•	•
Full-width gallon door bin	1 fixed	—	—
Full-width shelves	1 fixed	2 fixed	2 fixed
Half-width gallon door bin	—	1 fixed	1 fixed
Partial-width shelves	1 fixed	2 fixed	2 fixed
Refrigerator interior shelves			
Full-width framed glass	2 adjustable, 1 fixed	—	—
Full-width frameless glass	—	1 fixed	1 fixed
Full-width wire	—	2 adjustable	2 adjustable
Refrigerator interior storage			
Flexi-Slide™ bin	•	•	•
Half-width double crisper – clear	•	Humidity-controlled	Humidity-controlled
FREEZER STORAGE FEATURES			
Freezer door			
Full-width shelves	2	2	2
Freezer interior storage			
Full-width frameless glass shelf	1 fixed	—	—
Full-width wire shelf	—	1 adjustable	1 adjustable
COLORS			
Available colors**	W B M	W B T M	W B M

*Monochromatic Stainless Steel models only.

**W = White, B = Black, T = Biscuit, M = Monochromatic Stainless Steel

TOP-FREEZER REFRIGERATORS (CONTINUED)

Bold type indicates a step-up feature

MODEL	30-Inch WRT318FZD	30-Inch WRT318FMD	30-Inch WRT348FME	30-Inch WRT519SZD
Capacity (cu. ft.)	18	18	18	19
DESIGN FEATURES				
Contoured door	—	—	—	•
Door reversal kit available	•	•	•	•
Flat door	•	•	•	—
Hidden hinges	•	•	—	•
Metal handles*	•	•	—	•
Pocket handles	—	—	•	—
Smooth door finish	•	•	•	•
PERFORMANCE FEATURES				
ENERGY STAR® certified	—	—	•	—
Freezer temperature control	•	•	•	•
Interior lighting	•	•	•	LED
Refrigerator temperature control	Electronic	Electronic	Electronic	Electronic
ICE & WATER FEATURES				
Factory-installed icemaker	—	•	•	—
Optional EZ Connect icemaker kit	Part No. ECKMFEZ2	—	—	Part No. ECKMFEZ2
REFRIGERATOR STORAGE FEATURES				
Refrigerator door				
Butter bin – clear	•	•	•	•
Full-width shelves	2 fixed	2 fixed	2 fixed	1 fixed
Half-width gallon door bin	1 fixed	1 fixed	1 fixed	—
Partial-width gallon door bins – clear	—	—	—	4 adjustable
Partial-width shelves	2 fixed	2 fixed	2 fixed	—
Refrigerator interior shelves				
Full-width frameless glass	2 adjustable, 1 fixed	2 adjustable, 1 fixed	2 adjustable, 1 fixed	2 adjustable, 1 fixed
Refrigerator interior storage				
Flexi-Slide™ bin	•	•	—	•
Half-width double crisper – clear	Humidity-controlled	Humidity-controlled	•	Humidity-controlled
FREEZER STORAGE FEATURES				
Freezer door				
Full-width shelves	2	2	2	2
Freezer interior storage				
Full-width frameless glass shelf	1 fixed	1 fixed	—	1 fixed
Half-width wire shelf	—	—	1 fixed	—
COLORS				
Available colors**	W B M	W B M	W B S	W B T D M

*Monochromatic Stainless Steel models only.

**W = White, B = Black, T = Biscuit, D = Universal Silver, M = Monochromatic Stainless Steel, S = Stainless Steel

TOP-FREEZER REFRIGERATORS (CONTINUED)

Bold type indicates a step-up feature

MODEL	30-Inch WRT549SZD	33-Inch WRT311FZD	33-Inch WRT511SZD	33-Inch WRT541SZD
Capacity (cu. ft.)	19	20	21	21
DESIGN FEATURES				
Contoured door	•	—	•	•
Door reversal kit available	•	•	•	•
Flat door	—	•	—	—
Hidden hinges	•	•	•	•
Metal handles*	•	•	•	•
Smooth door finish	•	•	•	•
PERFORMANCE FEATURES				
ENERGY STAR® certified	•	—	—	•
Freezer temperature control	•	•	•	•
Interior lighting	LED	LED	LED	LED
Refrigerator temperature control	Electronic	•	•	•
ICE & WATER FEATURE				
Optional EZ Connect icemaker kit	Part No. ECKMFEZ2	Part No. ECKMFEZ2	Part No. ECKMFEZ2	Part No. ECKMFEZ2
REFRIGERATOR STORAGE FEATURES				
Refrigerator door				
Butter bin – clear	•	•	•	•
Full-width gallon door bin – clear	1 fixed	1 fixed	1 fixed	1 fixed
Half-width gallon door bins – clear	—	3 adjustable	—	—
Partial-width gallon bins – clear	4 adjustable	—	4 adjustable	4 adjustable
Partial-width shelf	—	1 fixed	—	—
Refrigerator interior shelves				
Full-width frameless glass	2 adjustable, 1 fixed	2 adjustable, 1 fixed	2 adjustable, 1 fixed	2 adjustable, 1 fixed
Refrigerator interior storage				
Flexi-Slide™ bin	•	•	•	•
Half-width double crisper – clear	Humidity-controlled	—	—	—
Split-width double crisper – clear	—	Humidity-controlled	Humidity-controlled	Humidity-controlled
FREEZER STORAGE FEATURES				
Freezer door				
Full-width shelves	2	2	2	2
Freezer interior storage				
Full-width frameless glass shelf	1 fixed	—	1 fixed	1 fixed
Full-width wire shelf	—	1 adjustable	—	—
Freezer light	—	—	LED	LED
COLORS				
Available colors**	W B M	W B T M	W B M	W B M

*Monochromatic Stainless Steel models only.

**W = White, B = Black, T = Biscuit, M = Monochromatic Stainless Steel

CHEST & UPRIGHT FREEZERS

Convenient configurations for every home



CompleteClean system

Clean up messes quickly. Whirlpool® chest freezers offer rounded corners instead of hard-to-reach edges for easier access during cleaning.



StoreRight™ system

Keep frozen food in its ideal environment. Select Whirlpool® freezers include a temperature alarm that notifies you when the freezer's temperature rises if the door is left open.



PerfectPlaces™ system

Purposeful storage zones give you ideal spaces for the items you use most. The pizza pocket in the upright freezer door removes the hassle of trying to fit frozen pizzas on flat shelves, and gallon door bins free up even more shelf space.

NOTE: Not all features available on all models.



WZC3115D



White (W)



WZC5415D



White (W)

**15 cu. ft. Freezer –
WZC3115D**

CompleteClean system

Defrost drain with attachable hose

Rounded corners

PerfectPlaces™ system

(2) Storage bins

**15 cu. ft. Freezer –
WZC5415D**

CompleteClean system

Defrost drain with attachable hose

Rounded corners

PerfectPlaces™ system

(2) Storage bins

StoreRight™ system

⊕ Temperature alarm

⊕ Indicates a step-up feature

For more details, see feature glossary on page 134

CHEST FREEZERS

22 cu. ft. Freezer – WZC3122D

CompleteClean system

Defrost drain with attachable hose

Rounded corners

PerfectPlaces™ system

⊕ (3) Storage bins



WZC3122D



White (W)

22 cu. ft. Freezer – WZC5422D

CompleteClean system

Defrost drain with attachable hose

Rounded corners

PerfectPlaces™ system

⊕ (4) Storage bins

StoreRight™ system

⊕ Temperature alarm



WZC5422D



White (W)

⊕ Indicates a step-up feature

For more details, see feature glossary on page 134

UPRIGHT FREEZERS



WZF56R16D



White (W)



16 cu. ft. Freezer – WZF56R16D

CompleteClean system

Frost-free design

EasyView™ system

LED interior lighting

QuickSelect™ system

Electronic temperature controls

StoreRight™ system

Fast Freeze

Temperature alarm

Additional feature

Optional icemaker



WZF79R20D



White (W)

20 cu. ft. Freezer – WZF79R20D

CompleteClean system

Frost-free design

EasyView™ system

LED interior lighting

PerfectPlaces™ system

⊕ Gallon door bins

⊕ Pizza pocket

QuickSelect™ system

Electronic temperature controls

StoreRight™ system

Fast Freeze

Temperature alarm

Additional feature

Optional icemaker



SIDEKICKS®
ALL FREEZER

18 cu. ft. SideKicks® All Freezer – WSZ57L18D

CompleteClean system

Frost-free design

EasyView™ system

LED interior lighting

PerfectPlaces™ system

Gallon door bins

Pizza pocket

QuickSelect™ system

Electronic temperature controls

StoreRight™ system

Fast Freeze

Temperature alarm

Additional feature

Optional icemaker



WSZ57L18D



Monochromatic
Stainless Steel (M)

⊕ Indicates a step-up feature

For more details, see feature glossary on page 134

**SIDEKICKS®
ALL REFRIGERATOR**

18 cu. ft. SideKicks® All Refrigerator – WSR57R18D

EasyView™ system

LED interior lighting

PerfectPlaces™ system

Butter bin

Gallon door bins

Quad crisper

QuickSelect™ system

Electronic temperature controls

StoreRight™ system

Temperature alarm



Actual model
may vary

WSR57R18D



Monochromatic
Stainless Steel (M)

18 cu. ft. All Refrigerator – WRR56X18F

EasyView™ system

LED interior lighting

PerfectPlaces™ system

Butter bin

Gallon door bins

Quad crisper

QuickSelect™ system

Electronic temperature controls

StoreRight™ system

Temperature alarm



WRR56X18F



White (W)

CHEST FREEZERS

Bold type indicates a step-up feature

MODEL	48-Inch WZC3115D	48-Inch WZC5415D	66-Inch WZC3122D	66-Inch WZC5422D
Capacity (cu. ft.)	15	15	22	22
DESIGN FEATURES				
Flat textured lid	•	•	•	•
Integrated door handle design	•	•	•	•
PERFORMANCE FEATURES				
15-watt interior light	•	•	•	•
Defrost drain with attachable hose	•	•	•	•
Power On light	—	•	—	•
Rounded Corners	•	•	•	•
Temperature alarm	—	•	—	•
STORAGE FEATURES				
Key lock	•	•	•	•
Solid core lid	•	•	•	•
Storage bins	2	2	3	4
COLORS				
Available color*	W	W	W	W

UPRIGHT FREEZERS

Bold type indicates a step-up feature

MODEL	30-Inch WZF56R16D	33-Inch WZF79R20D	SideKicks® All Freezer 30-Inch WSZ57L18D	SideKicks® All Refrigerator 30-Inch WSR57R18D	All Refrigerator 30-Inch WRR56X18F
Capacity (cu. ft.)	16	20	18	18	18
DESIGN FEATURES					
Contoured door	•	•	—	—	—
Flat door	—	—	•	•	•
Installation wheels	—	•	•	•	•
Metal handle	—	—	•	•	•
Semi-smooth door finish	•	•	—	—	—
SideKicks® trim kit	—	—	Part No. SKT60S	Part No. SKT60S	—
Smooth door finish	—	—	•	•	•
PERFORMANCE FEATURES					
Air tower	•	•	•	•	•
Electronic temperature controls	•	•	•	•	•
Fast Freeze	•	•	•	—	—
Frost-free design	•	•	•	—	—
Interior lighting	LED	LED	LED	LED	LED
Optional icemaker	Part No. ECKMF95	Part No. ECKMF95	Part No. ECKMF95	—	—
Temperature alarm	•	•	•	•	•
STORAGE FEATURES					
Freezer/refrigerator door					
Butter bin – clear	—	•	•	•	•
Full-width bin – clear	—	1 adjustable	1 adjustable	1 adjustable	1 adjustable
Full-width gallon bin	—	1 fixed	1 fixed	1 fixed	1 fixed
Full-width shelves	5 fixed	—	—	—	—
Half-width bins – clear	—	2 adjustable	2 adjustable	2 adjustable	2 adjustable
Pizza pocket	—	•	•	•	•
Freezer/refrigerator interior					
Framed glass shelves	—	—	4 adjustable	3 adjustable	3 adjustable
Half-width humidity-controlled quad crisper – clear	—	—	—	•	•
Slide-out wire shelves	3 adjustable	4 adjustable	—	—	—
Wire bins	—	2	2	—	—
Key lock	•	•	—	—	—
COLORS					
Available colors*	W	W	M	M	W

*W = White, M = Monochromatic Stainless Steel



UNDERCOUNTER REFRIGERATORS & WINE CELLARS

Specialty storage for entertaining



StoreRight™ system

Chill your favorite wine and beverages at the ideal temperature. To help you monitor this, a high temperature alarm notifies you when the temperature rises if the door is left open.



EasyView™ system

Thoughtful design keeps everything in sight to help you find just what you're looking for. Your wine cellar or undercounter refrigerator stays bright with LED interior lighting that reduces shadows in corners and under shelves.



QuickSelect™ system

Get started and make changes fast. Conveniently located exterior temperature controls allow you to adjust to the ideal temperature for whatever beverages you are storing.

NOTE: Not all features available on all models.

UNDERCOUNTER REFRIGERATORS

5.8 cu. ft. Beverage Center – WUB50X24E

EasyView™ system

LED interior lighting

StoreRight™ system

Automatic defrost

Dual temperature-controlled zones

Additional features

12 wine bottle capacity

Optional towel bar handle accessory



WUB50X24E



Monochromatic
Stainless Steel (M)

5.6 cu. ft. Refrigerator – WUR50X24E

CompleteClean system

Frost-free design

EasyView™ system

Clear door bins

LED interior lighting

QuickSelect™ system

Exterior manual temperature control

Additional feature

Optional towel bar handle accessory



WUR50X24E



Monochromatic
Stainless Steel (M)

⊕ Indicates a step-up feature

For more details, see feature glossary on page 134

UNDERCOUNTER WINE CELLARS



WUW35X15D



Stainless Steel (S)

15" Wine Cellar – WUW35X15D

EasyView™ system

LED interior lighting

StoreRight™ system

High temperature alarm

Single temperature-controlled zone

Additional features

34 wine bottle capacity

Towel bar handle



WUW35X24D



Stainless Steel (S)

24" Wine Cellar – WUW35X24D

EasyView™ system

LED interior lighting

StoreRight™ system

High temperature alarm

Single temperature-controlled zone

Additional features

⊕ 51 wine bottle capacity

Towel bar handle

UNDERCOUNTER WINE CELLARS

15" Wine Cellar – WUW55X15D

EasyView™ system

LED interior lighting

StoreRight™ system

High temperature alarm

Single temperature-controlled zone

Additional features

34 wine bottle capacity

Optional towel bar handle accessory



WUW55X15D



Stainless Steel (S)

24" Wine Cellar – WUW55X24D

EasyView™ system

LED interior lighting

StoreRight™ system

⊕ Dual temperature-controlled zone

High temperature alarm

Additional features

⊕ 46 wine bottle capacity

Optional towel bar handle accessory



WUW55X24D



Stainless Steel (S)

⊕ Indicates a step-up feature

For more details, see feature glossary on page 134

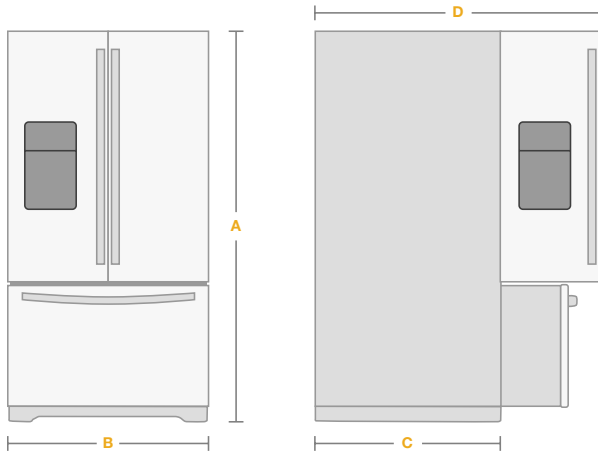
UNDERCOUNTER REFRIGERATORS & WINE CELLARS

Bold type indicates a step-up feature

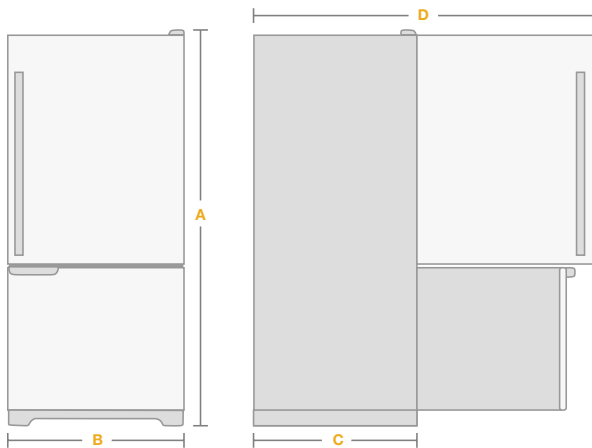
MODEL	Beverage Center 24-Inch	Refrigerator 24-Inch	Wine Cellar 15-Inch	Wine Cellar 24-Inch	Wine Cellar 15-Inch	Wine Cellar 24-Inch
	WUB50X24E	WUR50X24E	WUW35X15D	WUW35X24D	WUW55X15D	WUW55X24D
Capacity (cu. ft.)	5.8	5.6	—	—	—	—
Wine bottle capacity	12	—	34	51	34	46
DESIGN FEATURES						
Adjustable leveling legs	•	•	•	•	•	•
Built-in or freestanding installation	•	Built-In	•	•	•	•
Frost-free design	—	•	—	—	—	—
Metal handle	•	•	Towel bar	Towel bar	•	•
Rack fronts	—	—	Wood	Wood	Metal	Metal
Reversible swing door	•	•	•	•	•	•
UV-protected thermal glass door	•	—	•	•	•	•
PERFORMANCE FEATURES						
Automatic Defrost	•	—	—	—	—	—
Control type	Base grille knob	Base grille knob	Electronic	Electronic	Electronic	Electronic
Door open alarm	—	—	•	•	•	•
High temperature alarm	—	—	•	•	•	•
Interior lighting	LED	LED	LED	LED	LED	LED
Temperature display	Blue LED	—	Blue LED	Blue LED	Blue LED	Blue LED
Temperature range	46°F–58°F	—	41°F–64°F	41°F–64°F	41°F–64°F	41°F–64°F
Temperature zone(s)	2	1	1	1	1	2
STORAGE FEATURES						
Adjustable glass shelves	2	3	—	—	—	—
Canted wine racks	2	—	6	6	6	5
Door bins – clear	—	3	—	—	—	—
ACCESSORY						
Towel bar handle	•	•	—	—	•	•
COLORS						
Available colors*	M	M	S	S	S	S

*M = Monochromatic Stainless Steel, S = Stainless Steel

REFRIGERATION DIMENSIONS



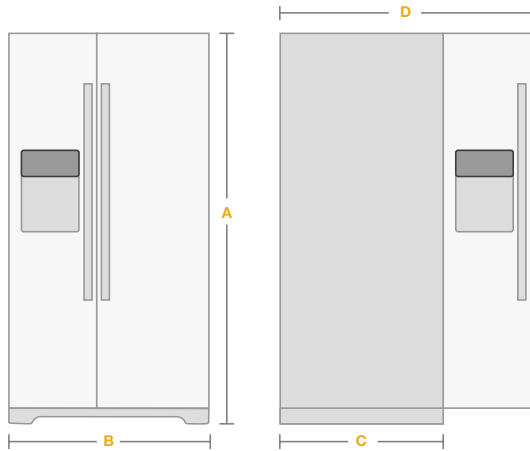
FRENCH DOOR MODEL	MAX HEIGHT (A)	WIDTH (B)	DEPTH (C)	DEPTH WITH DOORS OPEN (D)
WRF560SMY	68½"	29½"	34⅝"	51⅝"
WRF560SEY	68½"	29½"	34⅝"	52½"
WRF532SMB	70⅞"	32⅝"	34⅞"	42⅜"
WRF736SDA	70⅞"	35⅞"	36⅞"	48"
WRF757SDE	69⅞"	35⅜"	35⅝"	48"
WRF767SDE	69⅞"	35⅜"	35⅝"	48"
WRX735SDB	70⅞"	35⅝"	35⅝"	48"
WRX988SIB	70⅞"	35⅞"	35⅞"	48"
WRV976FDE	70⅞"	36"	35⅜"	48"
WRV986FDE	70⅞"	36"	35⅜"	48"
WRF992FIF	68⅞"	35⅝"	36⅞"	52⅞"
WRF993FIF	68⅞"	35⅝"	36⅞"	52⅞"
WRF995FIF	68⅞"	35⅝"	36⅞"	52⅞"
WRF540CWB	70⅞"	35⅝"	29⅜"	48"
GI0FSAXV	70⅞"	35⅝"	30¼"	43"



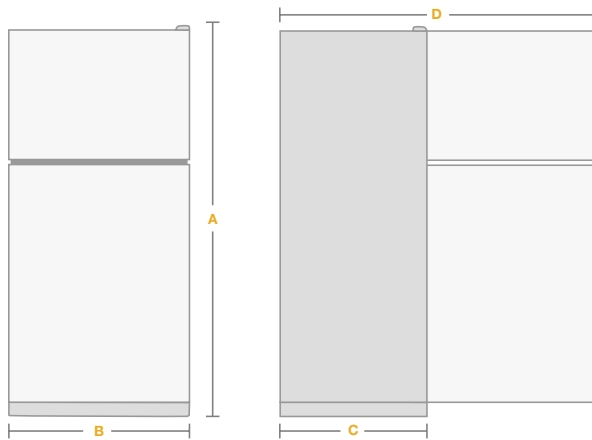
BOTTOM-FREEZER MODEL	MAX HEIGHT (A)	WIDTH (B)	DEPTH (C)	DEPTH WITH DOORS OPEN (D)
WRB119WFB	67"	29¾"	33⅞"	59"
WRB329DMB	67"	29⅞"	33⅞"	59"
WRB322DMB	70"	32⅞"	33⅞"	62"

Dimensions are shown for planning purposes only.
For complete information, see Installation Instructions packed with product.

REFRIGERATION DIMENSIONS



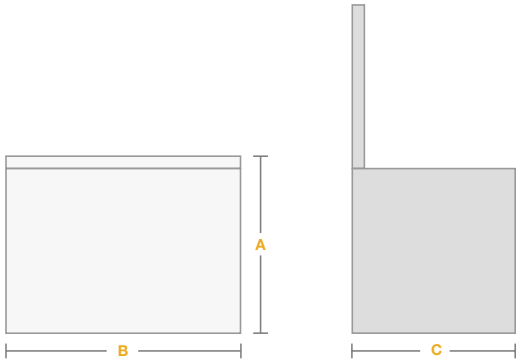
SIDE-BY-SIDE MODEL	MAX HEIGHT (A)	WIDTH (B)	DEPTH (C)	DEPTH WITH DOORS OPEN (D)
WRS322FNA	65 ⁷ / ₈ "	32 ³ / ₄ "	34 ⁵ / ₈ "	49 ⁷ / ₈ "
WRS325FNA	68 ⁷ / ₈ "	35 ¹ / ₂ "	34 ⁵ / ₈ "	49 ⁷ / ₈ "
WRS322FDA	65 ⁷ / ₈ "	32 ³ / ₄ "	34 ⁵ / ₈ "	49 ⁷ / ₈ "
WRS325FDA	68 ⁷ / ₈ "	35 ¹ / ₂ "	34 ⁵ / ₈ "	49 ⁷ / ₈ "
WRS331FDD	65 ⁷ / ₈ "	32 ³ / ₄ "	34 ⁵ / ₈ "	49 ⁷ / ₈ "
WRS335FDD	68 ⁷ / ₈ "	35 ¹ / ₂ "	34 ⁵ / ₈ "	49 ⁷ / ₈ "
WRS342FIA	65 ⁷ / ₈ "	32 ³ / ₄ "	34 ⁵ / ₈ "	49 ⁷ / ₈ "
WRS576FID	69"	36"	34 ⁷ / ₈ "	51 ¹ / ₈ "
WRS586FIE	69"	36"	34 ⁷ / ₈ "	51 ¹ / ₈ "
WRS975SID	69"	36"	36 ¹ / ₄ "	51 ¹ / ₈ "
WRS571CID	68 ⁷ / ₈ "	38"	29 ³ / ₄ "	45 ⁷ / ₈ "
WRS970CID	69"	36"	29 ³ / ₄ "	45 ⁷ / ₈ "
WRS973CID	71 ¹ / ₄ "	36"	31 ¹ / ₈ "	45 ⁷ / ₈ "



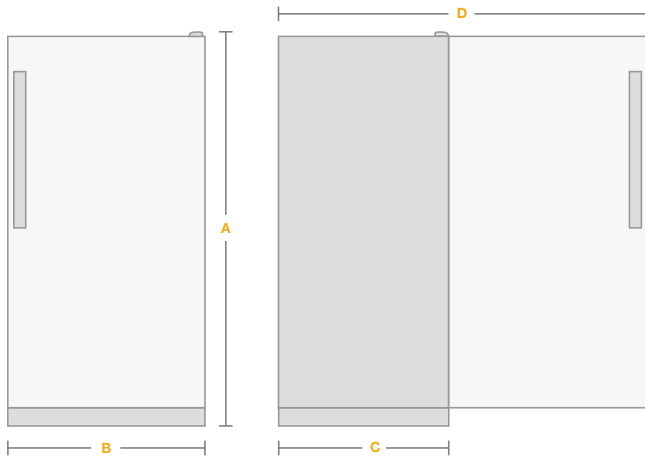
TOP-FREEZER MODEL	MAX HEIGHT (A)	WIDTH (B)	DEPTH (C)	DEPTH WITH DOORS OPEN (D)
WRT111SFD	61 ³ / ₄ "	24 ¹ / ₂ "	28 ¹ / ₄ "	48 ¹ / ₂ "
WRT104TFD	62 ⁷ / ₈ "	28"	32 ¹ / ₄ "	56 ³ / ₄ "
WRT314TFD	62 ⁷ / ₈ "	28"	32 ¹ / ₄ "	56 ³ / ₄ "
WRT134TFD	62 ⁷ / ₈ "	28"	32 ¹ / ₈ "	55 ³ / ₄ "
WRT106TFD	65 ⁷ / ₈ "	28"	33 ¹ / ₂ "	56 ³ / ₄ "
WRT316SFD	66"	28 ¹ / ₈ "	30 ³ / ₈ "	54 ³ / ₈ "
WRT108FZD	65 ⁷ / ₈ "	29 ³ / ₄ "	33 ¹ / ₂ "	59 ³ / ₄ "
WRT138FZD	65 ⁷ / ₈ "	29 ³ / ₄ "	33 ¹ / ₂ "	59 ³ / ₄ "
WRT318FZD	65 ⁷ / ₈ "	29 ³ / ₄ "	33 ¹ / ₂ "	59 ³ / ₄ "
WRT318FMD	65 ⁷ / ₈ "	29 ³ / ₄ "	33 ¹ / ₂ "	59 ³ / ₄ "
WRT348FME	65 ¹ / ₂ "	29 ³ / ₄ "	31 ³ / ₈ "	59 ³ / ₄ "
WRT519SZD	65 ⁷ / ₈ "	29 ³ / ₄ "	34 ¹ / ₂ "	59 ⁷ / ₈ "
WRT549SZD	65 ⁷ / ₈ "	29 ³ / ₄ "	34 ¹ / ₂ "	59 ⁷ / ₈ "
WRT311FZD	66 ¹ / ₄ "	32 ³ / ₄ "	32 ⁷ / ₈ "	62 ¹ / ₄ "
WRT511SZD	66 ¹ / ₄ "	32 ³ / ₄ "	34"	62 ¹ / ₄ "
WRT541SZD	66 ¹ / ₄ "	32 ³ / ₄ "	34"	62 ¹ / ₄ "



REFRIGERATION DIMENSIONS



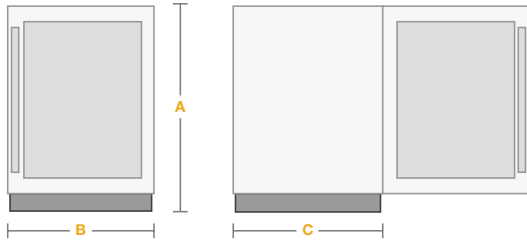
CHEST FREEZER MODEL	MAX HEIGHT (A)	WIDTH (B)	DEPTH (C)
WZC3115D	33 ³ / ₈ "	47 ³ / ₈ "	30 ¹ / ₄ "
WZC5415D	33 ³ / ₈ "	47 ³ / ₈ "	30 ¹ / ₄ "
WZC3122D	33 ³ / ₈ "	66 ¹ / ₄ "	30 ¹ / ₄ "
WZC5422D	33 ³ / ₈ "	66 ¹ / ₄ "	30 ¹ / ₄ "



UPRIGHT FREEZER MODEL	MAX HEIGHT (A)	WIDTH (B)	DEPTH (C)	DEPTH WITH DOOR OPEN (D)
WZF56R16D	60 ³ / ₄ "	30 ¹ / ₄ "	30 ¹ / ₄ "	55 ⁷ / ₈ "
WZF79R20D	66 ³ / ₄ "	33 ³ / ₄ "	30"	58 ⁷ / ₈ "
SIDEKICKS® MODEL				
WSZ57L18D	66 ³ / ₄ "	30 ¹ / ₄ "	31 ¹ / ₄ "	55 ³ / ₄ "
WSR57R18D	66 ³ / ₄ "	30 ¹ / ₄ "	31 ¹ / ₄ "	55 ³ / ₄ "
ALL REFRIGERATOR MODEL				
WRR56X18F	66 ³ / ₄ "	30 ¹ / ₄ "	31 ¹ / ₄ "	55 ³ / ₄ "

Dimensions are shown for planning purposes only.
For complete information, see Installation Instructions packed with product.

REFRIGERATION DIMENSIONS



UNDERCOUNTER MODEL	MAX HEIGHT (A)	WIDTH (B)	DEPTH (C)
WUB50X24E	35 1/8"	23 3/4"	26 7/8"
WUR50X24E	35 1/8"	23 3/4"	26 7/8"
WUW35X15D	34 5/8"	15"	23 3/4"
WUW35X24D	34 5/8"	23 13/16"	23 3/4"
WUW55X15D	34 5/8"	15"	23 3/4"
WUW55X24D	34 5/8"	23 13/16"	23 3/4"

REFRIGERATION ACCESSORIES



Multi-Use Cleaning Brush

Recommended for cleaning refrigerators, this brush helps save energy and ensures proper performance. 37½" (L) x 2" (W) x 2" (D) – **4210463RW**

FreshFlow™ Filters & Deodorizers

FreshFlow™ Air Filter

Up to 15 times more effective than baking soda in reducing common food odors. Replace filter every 6 months for optimal performance. – **AIR1/W10311524**

FreshFlow™ Ice Cube & Freezer Deodorizer

Ideal for the high airflow and low moisture of the freezer, this deodorizer traps odors before they are frozen in ice cubes. – **4392894SRB**

FreshFlow™ Produce Preserver

Provides 6 months of ethylene absorption in the crisper drawer, helping keep produce fresh longer.* – **FRESH1/W10346771A**

FreshFlow™ Produce Preserver Starter Kit

Helps keep produce fresh longer* inside the refrigerator. This starter kit fits in any refrigerator bin. – **P1FB6S1**

FreshFlow™ Refrigerator Deodorizer

Ideal for the low airflow and high moisture levels of the refrigerator, this deodorizer absorbs powerful refrigerator odors, like onion, garlic and fish. – **8171398SRB**



EveryDrop™ Ice & Water Filters



1 Filter 1 – **EDR1RXD1**



2 Filter 2 – **EDR2RXD1**



3 Filter 3 – **EDR3RXD1**



4 Filter 4 – **EDR4RXD1**



5 Filter 5 – **EDR5RXD1**



6 Filter 6 – **EDR6D1**



7 Filter 7 – **EDR7D1**



8 Filter 8 – **EDR8D1**

*Based on commonly purchased produce.

REFRIGERATION ACCESSORIES

Refrigerator Sound System

CoolVox™ Kitchen Sound System

Designed to fit on top of 36" Whirlpool® french door refrigerators, this innovative system features a premium Bluetooth™ audio device from Harman Kardon®. Stream music, audio books, ball games, recipes and more without taking up extra kitchen counter space. – **WRC36DB**

French Door Refrigerator Side Panels

Kits include everything required for installation—no tools necessary. Side panels sold individually. WRF540CWB and GIOFSAXV (23⁵/₈" W x 68⁵/₁₆" H) – **W10194323**
WRF736SDA and WRX735SDB (28⁵/₈" W x 68⁵/₁₆" H) – **W10136753**

SideKicks® Upright Freezer & Refrigerator Stainless Steel Trim Kit

Provides a built-in look without the built-in cost and allows for an adjustable height. Includes (1) top trim extrusion, (6) grille extrusions, (1) notched grille extrusion, (1) right extrusion side trim, (1) left extrusion side trim, (1) Styrofoam spacer, (1) grille bottom assembly, (1) front bracket with (4) screws, gap filler assembly and assorted screws. – **SKT60S**

Optional Icemaker Kits

WRT108FZD, WRT138FZD, WRT318FZD, WRT519SZD, WRT549SZD,
WRT311FZD, WRT511SZD, WRT541SZD – **ECKMFEZ2**
WRT104TFD, WRT314TFD, WRT134TFD, WRT106TFD, WRT316SFD,
WZF56R16D, WZF79R20D, WSZ57L18D – **ECKMF95**
WRT111SFD – **24ECKMF**

REFRIGERATION GLOSSARY



CareSync™ system

Connect to your appliances and care for your family and home from your smart phone or tablet, thanks to remote control and the other smart features of the CareSync™ system.

WiFi connectivity

With the Whirlpool® mobile app,* you can integrate your refrigerator with your Nest Learning Thermostat™, get maintenance alerts with reminders to change the air and water filters, immediately know about a power or WiFi outage and more.



CompleteClean system

The features of the CompleteClean system make kitchen cleanup quick and less of a hassle.

Defrost drain with attachable hose

Whirlpool® chest freezers with this feature offer more convenient defrosting with less mess.

Fingerprint-resistant stainless steel

Hides fingerprints and smudges and easily wipes clean.

Frost-free design

Automatically helps prevent frost build-up so you'll never have to empty the freezer for a manual defrost again.

Rounded corners

Whirlpool® chest freezers offer rounded corners instead of hard-to-reach edges for easier access during cleaning.

Spillproof shelves

Help contain spills and simplify cleanup, preventing liquids from leaking onto shelves below.



EasyView™ system

With the EasyView™ system, thoughtful design keeps everything in sight to help you find just what you're looking for.

Clear door bins

Easily view items stored in the door so you can find what you're looking for.

LED interior lighting

Puts a spotlight on food and casts a more natural light on the contents of your refrigerator so food looks as it should.

Panoramic LED lighting

Makes finding items in your refrigerator easier by surrounding food with light. By placing lights throughout the refrigerator, shadows are reduced from every angle.

Underlit shelves

You'll see just what you're looking for thanks to underlit shelves that provide 50% more brightness under the shelf.



HelpingHand™ system

Inspired by your personal routine, the features of the HelpingHand™ system help you manage the daily chaos of your kitchen.

Measured Fill

Allows you to select the exact amount of filtered water—in ounces, cups or liters—that you need. The dispenser will fill the container and automatically shut off when complete.



PerfectPlaces™ system

The PerfectPlaces™ system is designed with purposeful zones to give you the ideal spaces for the items you use most.

4-temperature selection drawer

Put frequently used items in easy reach with a true refrigerated drawer. It features temperature controls that let you make adjustments based on which refrigerated items you'd like to store—from fresh produce to cold drinks.

5-temperature selection drawer with a thaw setting

Offers five custom settings—Meat/Fish, Snacks, Cold Drinks, Deli/Cheese and Thaw. The thaw setting provides an ideal environment to thaw frozen food at just the right temperature, away from other foods in the refrigerator.

Auto-humidity crispers

Fit fruits and veggies of all shapes and sizes in crisper bins featuring automatic humidity control to help it all stay fresh. The deep, left crisper is ideal for large produce and has a divider to keep it organized, while the right crisper holds smaller items and keeps them in place.

Butter bin

Provides an ideal environment for storing butter.

Can caddy

Holds and dispenses beverage cans to make accessing your favorite beverages quick and easy.

Chest freezer storage bins

Provide convenient storage options for better organization.

Deli drawer

Store plenty of meat and cheese with a deli drawer.

Double crisper

Store fruits and vegetables in their ideal environment with the two drawers of a double crisper.

*Requires WiFi and account creation. App features and functionality subject to change. Subject to terms of service available at: whirlpool.com/connect. Data rates may apply.

REFRIGERATION GLOSSARY

Extra full shelf with In-Door-Ice® storage

In-Door-Ice® storage moves the ice bin to the door, creating room for an extra shelf in the refrigerator or freezer compartment.

Fold-away shelf

Adjustable shelf temporarily creates more space for tall items.

Full-width crisper

Allows you to store a wide array of fruits and vegetables.

Full-width pantry

Features a wide opening and holds large items like deli trays and sheet cakes.

Gallon door bins

Easily accommodate beverage jugs and other large containers in the door to free up shelf space.

Humidity-controlled crisper

Help preserve the freshness of fruits and vegetables with this crisper's selectable humidity levels.

Infinity slide shelves

Designed to take advantage of every last inch of space, a pantry-inspired layout with industry-first infinity slide shelves allows you to put small items on the sides and large, high-traffic items in the center. The adjustable center panes slide back and stop at any point to give you the room you need, even if it's just an inch, so you can fit and find it all.

Pizza pocket

Easily stores frozen pizzas upright without the hassle of trying to fit them on flat freezer shelves.

Platter pocket

Wide, flat items like brownie pans, lasagna and pizza boxes stay tucked out of the way in this special spot designed specifically to keep them safe from stacking.

Produce drawer

Enjoy another spot to store fruits and vegetables. A FreshFlow™ produce preserver makes it the ideal environment to keep them tasting great.

Quad crisper

Have plenty of space for all your fresh produce with this crisper option, available on the SideKicks® all refrigerator.

Refrigerated exterior drawer

Put frequently used items in easy reach with a true refrigerated drawer. It features temperature controls that let you make adjustments based on which refrigerated items you'd like to store—from fresh produce to cold drinks. The full extension drawer and dividers also make it easy to organize and find what you need quickly.

Small items bin

Keep snacks close at hand. This snack compartment with sliding glass lids makes accessing everyday items easy with greater flexibility.

Smooth glide crisper

Get quick, easy access to the fruits and veggies stored in this crisper.

Stadium divider

Put an end to searching for hidden jars and bottles. This removable insert can be placed in any gallon door bin and is designed with a step to raise small items up in the back so you can always see them.

Temperature-controlled drawer

Store wide items like party platters and sheet cakes and manage the temperature with manual controls.

Treasure™ bin

Keep grab-n-go items in this easy-to-access lidded bin made just for them.

Triple crisper

Increases storage flexibility with two larger crispers with humidity controls and a center, smaller crisper.

Triple-tier freezer storage

Two upper sliding drawers and a spacious lower basket make organizing frozen food easy. Plus, easily customize freezer storage and organize frozen food with the movable freezer divider bin.

Two-tier freezer storage

Easily organize frozen favorites with two-tier freezer storage, including two sliding bins.

Tuck shelf

This adjustable shelf has two positions to temporarily create more space for tall items. The front half slides under the back half.

Wine rack

Provides a convenient under-shelf location for chilling wine in the refrigerator.



QuickSelect™ system

The QuickSelect™ system helps you get started and make changes fast with easy-to-operate controls and features.

Electronic temperature controls

Convenient, up-front electronic temperature controls let you choose the ideal temperature for whatever foods you're storing.

Exterior manual temperature control

Conveniently located controls allow you to adjust to the ideal temperature for whatever foods or beverages you are storing.

Freezer temperature controls

To keep frozen items ice cold, freezer temperature controls allow you to adjust the temperature level of cold air in the freezer compartment.

REFRIGERATION GLOSSARY



QuickShift™ system

The QuickShift™ system helps you make the room you need with flexible features that adjust to make everything fit in a snap.

Flexi-Slide™ bin

Quickly and easily moves side-to-side for convenient storage options, so you can adjust space for items as needed.

Flip adjusters

Get more vertical room when you need it without unloading a thing. The first-ever sturdy flip adjusters raise or lower the infinity slide shelves two inches with a simple turn while the shelves are fully loaded.



ReadySet™ system

The features of the ReadySet™ system work with your schedule instead of interrupting it to help your day go smoothly.

Dual icemakers

Help you keep plenty of ice on hand for entertaining, filling coolers and more.

Factory-installed icemaker

Keeps you from having to fill ice trays in order to have ice on hand.

Fast ice

Drops the freezer temperature in select models in for a full 24 hours to increase ice production by over 30%.*



StoreRight™ system

The StoreRight™ system provides the ideal cooling environments for fresh and frozen food.

Accu-Chill™ temperature management system

Built-in sensors measure the internal temperature and activate the compressor only when necessary to conserve energy while helping to keep food fresh.

Adaptive defrost

Monitors when the compressor is running and defrosts only when necessary, resulting in improved food preservation and energy savings.

Automatic defrost

Refrigerators with this system melt away frost so you don't have to take everything out of your freezer to melt built-up ice.

Dual cooling

Advanced dual cooling technology creates the right environments in the refrigerator and the freezer thanks to sensors that monitor and automatically adjust the temperature and humidity levels.

Dual temperature-controlled zones

Select wine cellars and beverage centers feature dual temperature-controlled zones. You can adjust the settings in each to provide the ideal environments for different types of wine or other beverages.

Fast Cool option

Quickly lowers the refrigerator's temperature at the push of a button. Select Fast Cool after filling your refrigerator with groceries to quickly cool fresh food.

Fast Freeze

Drops the freezer's temperature as low as it can go in the shortest amount of time. Activate Fast Freeze just before adding large amounts of unfrozen food.

FreshFlow™ air filter

This smart air filter is up to 15 times more effective than baking soda in removing common food odors. Replace the filter every 6 months for optimal performance.

FreshFlow™ produce preserver

Helps keep produce fresh longer.** A cartridge absorbs ethylene gas that causes fruits and vegetables like lettuce and cantaloupe to over-ripen. Replace the filter every 6 months for optimal performance.

Linear compressor

Fewer moving parts result in less friction for greater efficiency.

Temperature alarm

Notifies you when the temperature rises to help you monitor the ideal environment for your foods.

Additional features

CEE Tier Standards

Based on the Consortium for Energy Efficiency (CEE) qualifying product lists. Visit cee1.org for more information.

CoolVox™ kitchen sound system

We made the kitchen pulse with energy by adding audio where it's never been before. Brought to you by Whirlpool brand, this innovative system features a premium Bluetooth™ audio device from Harman Kardon®, made specifically for the top of the refrigerator.

Counter depth design

Fits virtually flush with the countertop, providing up to 6 inches of additional kitchen space while retaining the features and capacity you expect from a Whirlpool® refrigerator.

Electronic ice and water dispenser

Dispenses filtered water on the outside of the refrigerator. A control lock feature prevents unintended operation. Select dispensers include an automatic LED night-light that adjusts brightness as the kitchen goes dark.

*Compared to normal ice production; select models only. **Based on commonly purchased produce.

REFRIGERATION GLOSSARY



ENERGY STAR® certified

Meets government standards to help conserve natural resources and save money on utility bills.

EveryDrop™ ice and water filtration system

Now all Whirlpool® water filters are EveryDrop™ ice and water refrigerator filters. Replace your filter every 6 months to maximize the reduction of contaminants.

EZ Connect icemaker kit

This optional icemaker makes it simple to add easily accessible ice to select top-freezer refrigerators.

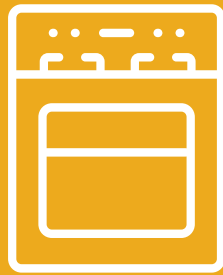
Reversible side-swing freezer door

Instead of a freezer drawer, select bottom-freezer models feature a reversible side-swing door, which allows for additional storage bins in the door.

SideKicks® upright models

Place the refrigerator and freezer models side by side and get up to a combined 36 cu. ft. of storage for all your favorite foods.





COOKING



RANGE COLOR OPTIONS



White (W)



Black (B)



Biscuit (T)



Universal Silver (D)



Stainless Steel (S)



White Ice (H)



Black Ice (E)

COOKING



WALL OVEN COLOR OPTIONS



White (W)



Black (B)



Stainless Steel (S)



White Ice (H)



Black Ice (E)

Care is finding time

COOKTOP COLOR OPTIONS



Chrome (R)



White (P/W)



Black (B)



Stainless Steel (S)

MICROWAVE COLOR OPTIONS



White (W)



Black (B)



Biscuit (T)



Universal Silver (D)



Stainless Steel (S)



White Ice (H)



Black Ice (E)

COOKING



HOOD AND VENT COLOR OPTIONS



White (W)



Black (B)



Stainless Steel (S)





Care is finding time.

That's why we designed our cooking products with features that cut out extra steps and cook foods faster. Now you can fit more home cooking into your family's schedule.



Every day, care.™

Ranges	142
Wall Ovens	170
Cooktops	184
Microwaves	198
Hoods & Vents	208
Dimensions	226
Accessories	230
Glossary	232



RANGES

Designed for your home cooking



TimeSavor™ system

Start cooking right away with features that cut out routine steps. Frozen Bake™ technology helps you cook frozen foods faster* by allowing you to skip preheating for favorites like pizza, lasagna, chicken nuggets, fries or pies.



HeatRight™ system

Use the ideal settings to cook dishes properly. Fan convection cooking adds a rear fan to circulate hot air to reduce cold spots and temperature variations so you can bake on any rack. Upgrade to True convection cooking, which cooks food faster** with the addition of a third heating element.



CompleteClean system

Clean up kitchen messes quickly. AquaLift® self-cleaning technology uses just water and low heat for odor-free cleaning in only 50 minutes.† Upswept SpillGuard™ cooktops and easy-wipe ceramic glass cooktops make cleaning up spills quick.

NOTE: Not all features available on all models.

Models shown: Front Control Electric Range WEE730H0DS, French Door Refrigerator WRV986FDEM

*Compared to a traditional preheat and bake cycle for pizza, nuggets/fries, pies and lasagna. **Compared to traditional thermal-bake cycle on the same model. †Based on average cleaning time of self-clean cycle with water and moderate soils.

FRONT CONTROL ELECTRIC RANGE

6.4 cu. ft. Range – WEE745H0F

CompleteClean system

- AquaLift® self-cleaning technology
- Easy-wipe ceramic glass cooktop
- Hidden bake element

HeatRight™ system

- 6" 700W Melt element
- Convection Conversion
- Max Capacity recessed rack
- Temperature sensor
- True convection cooking

HelpingHand™ system

- Sabbath mode

QuickSelect™ system

- 9"/6" 3,000W Dual element
- 12"/9"/6" 3,000W FlexHeat™ Triple radiant element

ReadySet™ system

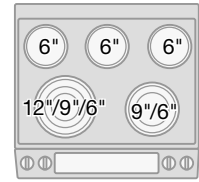
- 6" 100W Warm Zone center element
- Keep Warm
- Rapid Preheat

TimeSavor™ system

- Frozen Bake™ technology

Additional features

- 6" 1,200W radiant element
- 4,000W broil element
- Star-K certified
- Storage drawer
- Trim kit available



WEE745H0F



Stainless
Steel (S)



White Ice (H)



Black Ice (E)

FRONT CONTROL GAS RANGE



WEG745H0F



Stainless
Steel (S)



White Ice (H)



Black Ice (E)



5.8 cu. ft. Range – WEG745H0F

CompleteClean system

- AquaLift® self-cleaning technology
- Hidden bake element
- Upswept SpillGuard™ cooktop

HeatRight™ system

- 5,000 BTU AccuSimmer® burner
- Convection Conversion
- Max Capacity recessed rack
- Temperature sensor
- True convection cooking

HelpingHand™ system

- EZ-2-Lift™ hinged cast-iron grates
- Sabbath mode

ReadySet™ system

- 15,000 BTU SpeedHeat™ burner
- 17,000 BTU SpeedHeat™ burner
- Keep Warm
- Rapid Preheat

TimeSavor™ system

- Frozen Bake™ technology

Additional features

- 8,000 BTU Oval center burner
- 9,200 BTU multi-purpose burner
- Star-K certified
- Storage drawer
- Trim kit available

FREESTANDING DOUBLE OVEN ELECTRIC RANGES

6.7 total cu. ft. Range – WGE555S0B

CompleteClean system

- Easy-wipe ceramic glass cooktop
- Precise Clean™ self-cleaning

HeatRight™ system

- 6" 700W Melt element
- Temperature sensor

HelpingHand™ system

- Sabbath mode

ReadySet™ system

- 6.7" 100W Warm Zone center element
- Keep Warm
- Rapid Preheat (lower oven only)
- Upper oven preheat

QuickSelect™ system

- 9"/6" 3,000W/1,400W Dual element

Additional features

- 6" 1,200W radiant element
- 10" 2,500W radiant element
- Star-K certified



WGE555S0B



White (W)



Black (B)



Stainless Steel (S)

FREESTANDING DOUBLE OVEN ELECTRIC RANGES



WGE745C0F



Stainless Steel (S)



White Ice (H)



Black Ice (E)

6.7 total cu. ft. Range – WGE745C0F

CompleteClean™ system

- Easy-wipe ceramic glass cooktop
- + Hidden bake element
- Precise Clean™ self-cleaning
- + SteamClean option (lower oven only)

HeatRight™ system

- 6" 700W Melt element
- + Convection Conversion (lower oven only)
- Temperature sensor
- + True convection cooking (lower oven only)

HelpingHand™ system

- Sabbath mode

QuickSelect™ system

- + 12"/6" 3,000W Dual element
- + 12"/9"/6" 3,000W FlexHeat™ Triple radiant element

ReadySet™ system

- 6" 100W Warm Zone center element
- Keep Warm
- Rapid Preheat (lower oven only)
- Upper oven preheat

TimeSavor™ system

- + Frozen Bake™ technology (upper oven only)

Additional features

- 6" 1,200W radiant element
- Star-K certified

FREESTANDING DOUBLE OVEN ELECTRIC RANGES

6.7 total cu. ft. Range – WGI925C0B

CompleteClean™ system

- Easy-wipe ceramic glass cooktop
- Hidden bake element
- Precise Clean™ self-cleaning
- SteamClean option

HeatRight™ system

- Fan convection cooking (lower oven only)
- ⊕ Induction technology
- Temperature sensor

HelpingHand™ system

- Sabbath mode

ReadySet™ system

- (2) 6" 1,300W Boost elements
- 7" 2,500W Boost element
- 11" 3,700W Boost element
- Keep Warm
- Rapid Preheat (lower oven only)
- Upper oven preheat

Additional features

- Star-K certified



WGI925C0B

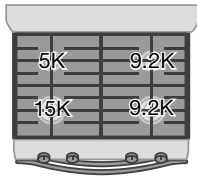


Stainless Steel (S)

⊕ Indicates a step-up feature

For more details, see feature glossary on page 232

FREESTANDING DOUBLE OVEN GAS RANGES



WGG555S0B



White (W)



Black (B)



Stainless Steel (S)

6.0 total cu. ft. Range – WGG555S0B

CompleteClean system

- Hidden bake element
- Precise Clean™ self-cleaning
- Upswept SpillGuard™ cooktop

HeatRight™ system

- 5,000 BTU AccuSimmer® burner
- Temperature sensor

HelpingHand™ system

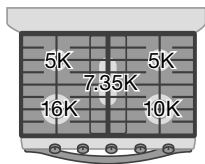
- Edge-to-edge cast-iron grates
- Sabbath mode

ReadySet™ system

- 15,000 BTU SpeedHeat™ burner
- Keep Warm

Additional features

- (2) 9,200 BTU burners
- Star-K certified



WGG745S0F



Stainless Steel (S)



White Ice (H)



Black Ice (E)

6.0 total cu. ft. Range – WGG745S0F

CompleteClean system

- Hidden bake element
- Precise Clean™ self-cleaning
- ⊕ SteamClean option (lower oven only)
- Upswept SpillGuard™ cooktop

HeatRight™ system

- ⊕ (2) 5,000 BTU AccuSimmer® burners
- ⊕ Convection Conversion (lower oven only)
- Temperature sensor
- ⊕ True convection cooking (lower oven only)

HelpingHand™ system

- ⊕ EZ-2-Lift™ hinged cast-iron grates
- Sabbath mode

ReadySet™ system

- ⊕ 16,000 BTU SpeedHeat™ burner
- Keep Warm
- ⊕ Rapid Preheat (lower oven only)

TimeSavor™ system

- ⊕ Frozen Bake™ technology (upper oven only)

Additional features

- ⊕ 7,350 BTU Oval center burner
- ⊕ 10,000 BTU burner
- Star-K certified

FREESTANDING ELECTRIC RANGES

4.8 cu. ft. Range – WFC150M0E

Counter depth design

CompleteClean system

Standard cleaning

HelpingHand™ system

Sabbath mode

Additional features

(2) 6" 1,250W coil elements

(2) 8" 2,100W coil elements

Star-K certified

Storage drawer



WFC150M0E



White (W)



Black (B)

4.8 cu. ft. Range – WFC310S0E

Counter depth design

CompleteClean system

⊕ Self-cleaning

HeatRight™ system

⊕ Temperature sensor

HelpingHand™ system

Sabbath mode

ReadySet™ system

⊕ (2) 6" 1,500W high-speed coil elements

⊕ (2) 8" 2,600W high-speed coil elements

Additional features

Star-K certified

Storage drawer



WFC310S0E



White (W)



Black (B)



Stainless Steel (S)

⊕ Indicates a step-up feature

For more details, see feature glossary on page 232

FREESTANDING ELECTRIC RANGES

4.8 cu. ft. Range – WFC340S0E

Counter depth design

CompleteClean system

Self-cleaning

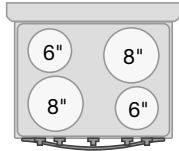
Additional features

(2) 6" 1,250W coil elements

(2) 8" 2,100W coil elements

⊕ Front controls

Storage drawer



WFC340S0E



White (W)



Black (B)



Stainless
Steel (S)

4.8 cu. ft. Range – WFE320M0E

Counter depth design

CompleteClean system

⊕ Easy-wipe ceramic glass cooktop

Standard cleaning

HelpingHand™ system

⊕ Sabbath mode

QuickSelect™ system

⊕ 9" 3,000W FlexHeat™ Dual element

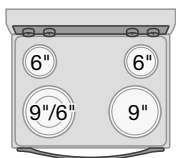
Additional features

⊕ (2) 6" 1,200W radiant elements

⊕ 9" 2,500W radiant element

⊕ Star-K certified

Storage drawer



WFE320M0E



White (W)



Black (B)



Stainless
Steel (S)

FREESTANDING ELECTRIC RANGES

5.3 cu. ft. Range – WFE515S0E

Counter depth design

CompleteClean system

Easy-wipe ceramic glass cooktop

⊕ Hidden bake element

⊕ Self-cleaning

⊕ SteamClean option

HeatRight™ system

⊕ Temperature sensor

HelpingHand™ system

Sabbath mode

QuickSelect™ system

9"/6" 3,000W FlexHeat™ Dual element

Additional features

(2) 6" 1,200W radiant elements

9" 2,500W radiant element

Star-K certified

Storage drawer



WFE515S0E



White (W)



Black (B)



Biscuit (T)



Universal
Silver (D)



Stainless
Steel (S)

⊕ Indicates a step-up feature

For more details, see feature glossary on page 232

FREESTANDING ELECTRIC RANGES



WFE530C0E



White (W)



Black (B)



Stainless
Steel (S)

5.3 cu. ft. Range – WFE530C0E

Counter depth design

CompleteClean™ system

Easy-wipe ceramic glass cooktop

Hidden bake element

Self-cleaning

SteamClean option

HeatRight™ system

⊕ Fan convection cooking

Temperature sensor

HelpingHand™ system

Sabbath mode

QuickSelect™ system

9 1/8" 3,000W FlexHeat™ Dual element

⊕ 12 1/8" 3,000W FlexHeat™ Dual element

ReadySet™ system

⊕ 6" 100W Warm Zone center element

Additional features

(2) 6" 1,200W radiant elements

Star-K certified

Storage drawer

FREESTANDING ELECTRIC RANGES

6.4 cu. ft. Range – WFE540H0E

Counter depth design

CompleteClean system

- ⊕ AquaLift® self-cleaning technology
- Easy-wipe ceramic glass cooktop
- Hidden bake element

HeatRight™ system

Fan convection cooking

- ⊕ Max Capacity recessed rack
- Temperature sensor

HelpingHand™ system

Sabbath mode

QuickSelect™ system

- 9"/6" 3,000W FlexHeat™ Dual element
- 12"/9" 3,000W FlexHeat™ Dual element

ReadySet™ system

6" 100W Warm Zone center element

Additional features

- (2) 6" 1,200W radiant elements
- Star-K certified
- Storage drawer



WFE540H0E



White (W)



Black (B)



Stainless
Steel (S)



White Ice (H)



Black Ice (E)

⊕ Indicates a step-up feature

For more details, see feature glossary on page 232

FREESTANDING ELECTRIC RANGES



WFE715H0E



Stainless
Steel (S)



White Ice (H)



Black Ice (E)

6.4 cu. ft. Range – WFE715H0E

Counter depth design

CompleteClean™ system

AquaLift® self-cleaning technology

Easy-wipe ceramic glass cooktop

Hidden bake element

HeatRight™ system

⊕ 6" 300W/1,300W Melt element

⊕ Convection Conversion

Max Capacity recessed rack

Temperature sensor

⊕ True convection cooking

HelpingHand™ system

Sabbath mode

QuickSelect™ system

9"/6" 3,000W FlexHeat™ Dual element

12"/9" 3,000W FlexHeat™ Dual element

QuickShift™ system

⊕ Adjustable split rack

ReadySet™ system

6" 100W Warm Zone center element

⊕ Rapid Preheat

⊕ Warming drawer

Additional features

6" 1,200W radiant element

Star-K certified

FREESTANDING ELECTRIC RANGES

6.4 cu. ft. Range – WFE745H0F

Counter depth design

CompleteClean™ system

AquaLift® self-cleaning technology
Easy-wipe ceramic glass cooktop
Hidden bake element

HeatRight™ system

6" 300W/1,300W Melt element
Convection Conversion
Max Capacity recessed rack
Temperature sensor
True convection cooking

HelpingHand™ system

Sabbath mode

QuickSelect™ system

9"/6" 3,000W Dual element
⊕ 12"/9"/6" 3,000W FlexHeat™ Triple
radiant element

QuickShift™ system

Adjustable split rack

ReadySet™ system

6" 100W Warm Zone center element
Rapid Preheat

TimeSavor™ system

⊕ Frozen Bake™ technology

Additional features

6" 1,200W radiant element
Star-K certified
Storage drawer



WFE745H0F



Stainless
Steel (S)



White Ice (H)



Black Ice (E)

⊕ Indicates a step-up feature

For more details, see feature glossary on page 232

FREESTANDING GAS RANGES



WFG320M0B



White (W)



Black (B)



Stainless Steel (S)

5.1 cu. ft. Range – WFG320M0B

CompleteClean system

- Hidden bake element
- Standard cleaning
- Upswept SpillGuard™ cooktop

HeatRight™ system

- 5,000 BTU AccuSimmer® burner
- Under oven broiler

ReadySet™ system

- (2) 15,000 BTU SpeedHeat™ burners

Additional features

- 9,500 BTU burner
- Custom broil
- Optional griddle



WFG505M0B



White (W)



Black (B)



Stainless Steel (S)

5.1 cu. ft. Range – WFG505M0B

CompleteClean system

- Hidden bake element
- Standard cleaning
- Upswept SpillGuard™ cooktop

HeatRight™ system

- 5,000 BTU AccuSimmer® burner

⊕ Griddle

- Under oven broiler

ReadySet™ system

- (2) 15,000 BTU SpeedHeat™ burners

Additional features

- ⊕ 8,000 BTU center burner
- 9,500 BTU burner
- Custom broil

FREESTANDING GAS RANGES

5.0 cu. ft. Range – WFG515S0E

⊕ Counter depth design

CompleteClean system

Hidden bake element

⊕ Self-cleaning

Upswept SpillGuard™ cooktop

HeatRight™ system

5,000 BTU AccuSimmer® burner

⊕ Temperature sensor

HelpingHand™ system

⊕ Edge-to-edge cast-iron grates

⊕ Sabbath mode

ReadySet™ system

(2) 15,000 BTU SpeedHeat™ burners

Additional features

9,500 BTU burner

⊕ Star-K certified

⊕ Storage drawer



WFG515S0E



White (W)



Black (B)



Biscuit (T)



Universal
Silver (D)



Stainless
Steel (S)

5.0 cu. ft. Range – WFG530S0E

Counter depth design

CompleteClean system

Hidden bake element

Self-cleaning

Upswept SpillGuard™ cooktop

HeatRight™ system

5,000 BTU AccuSimmer® burner

⊕ Fan convection cooking

Temperature sensor

HelpingHand™ system

Edge-to-edge cast-iron grates

Sabbath mode

ReadySet™ system

(2) 15,000 BTU SpeedHeat™ burners

Additional features

⊕ 8,000 BTU center burner

9,500 BTU burner

Star-K certified

Storage drawer



WFG530S0E



White (W)



Black (B)



Stainless
Steel (S)

⊕ Indicates a step-up feature

For more details, see feature glossary on page 232

FREESTANDING GAS RANGES

5.8 cu. ft. Range – WFG54H0E

Counter depth design

CompleteClean system

- ⊕ AquaLift® self-cleaning technology
- Hidden bake element
- Upswept SpillGuard™ cooktop

HeatRight™ system

- 5,000 BTU AccuSimmer® burner
- Fan convection cooking
- ⊕ Max Capacity recessed rack
- Temperature sensor

HelpingHand™ system

- Edge-to-edge cast-iron grates
- Sabbath mode

ReadySet™ system

- 15,000 BTU SpeedHeat™ burner
- ⊕ 17,000 BTU SpeedHeat™ burner

Additional features

- 8,000 BTU center burner
- 9,500 BTU burner
- Star-K certified
- Storage drawer



WFG54H0E



White (W)



Black (B)



Stainless
Steel (S)



White Ice (H)



Black Ice (E)

FREESTANDING GAS RANGES

5.8 cu. ft. Range – WFG715H0E

Counter depth design

CompleteClean system

AquaLift® self-cleaning technology

Hidden bake element

Upswept SpillGuard™ cooktop

HeatRight™ system

5,000 BTU AccuSimmer® burner

⊕ Convection Conversion

⊕ Griddle

Max Capacity recessed rack

Temperature sensor

⊕ True convection cooking

HelpingHand™ system

Edge-to-edge cast-iron grates

Sabbath mode

QuickShift™ system

⊕ Adjustable split rack

ReadySet™ system

15,000 BTU SpeedHeat™ burner

17,000 BTU SpeedHeat™ burner

⊕ Rapid Preheat

⊕ Warming drawer

Additional features

8,000 BTU center burner

9,500 BTU burner

Star-K certified



WFG715H0E



Stainless
Steel (S)



White Ice (H)



Black Ice (E)

⊕ Indicates a step-up feature

For more details, see feature glossary on page 232

FREESTANDING GAS RANGES

5.8 cu. ft. Range – WFG745H0F

Counter depth design

CompleteClean system

AquaLift® self-cleaning technology

Hidden bake element

Upswept SpillGuard™ cooktop

HeatRight™ system

5,000 BTU AccuSimmer® burner

Convection Conversion

Max Capacity recessed rack

Temperature sensor

True convection cooking

HelpingHand™ system

⊕ EZ-2-Lift™ hinged cast-iron grates

Sabbath mode

QuickShift™ system

Adjustable split rack

ReadySet™ system

15,000 BTU SpeedHeat™ burner

17,000 BTU SpeedHeat™ burner

Rapid Preheat

TimeSavor™ system

⊕ Frozen Bake™ technology

Additional features

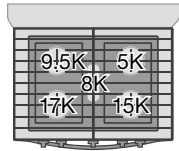
⊕ 8,000 BTU Oval center burner

9,500 BTU burner

Optional griddle

Star-K certified

Storage drawer



WFG745H0F



Stainless
Steel (S)



White Ice (H)



Black Ice (E)

FRONT CONTROL ELECTRIC RANGE

MODEL	Electric WEE745H0F
Capacity (cu. ft.)	6.4
Recommended Over-the-Range Microwave	WMH73521C, WMH76719C
DESIGN FEATURES	
Clock and timer display	Blue
Element type	Radiant
FIT system	•
Fits freestanding or slide-in cutout	•
Metal handles	•
OVEN FEATURES	
4,000W broil element	•
Adjustable racks	3
Automatic oven light	•
Cleaning system	AquaLift® self-cleaning technology
Control lock	•
Convection Conversion	•
Frozen Bake™ technology	•
Hidden bake element	•
Keep Warm	•
Max Capacity recessed rack	•
Rack positions	7
Rapid Preheat	•
Sabbath mode	•
Temperature sensor	•
True convection cooking	•
COOKTOP FEATURES	
6" 1,200W element	Right Rear
6" 700W Melt element	Left Rear
6" 100W Warm Zone element	Center
9"/6" 2,500W Dual element	Right Front
12"/9"/6" 3,000W FlexHeat™ Triple element	Left Front
Easy-wipe ceramic glass cooktop	•
SPECIAL FEATURES/CERTIFICATIONS	
Star-K certified	•
Storage drawer	•
ACCESSORIES (Part No.)	
Side wing trim kit	
White	W10675027
Black	W10675026
Stainless Steel	W10675028
COLORS	
Available colors*	S H E

*S = Stainless Steel, H = White Ice, E = Black Ice

FRONT CONTROL GAS RANGE

MODEL	Gas WEG745H0F
Capacity (cu. ft.)	5.8
Recommended Over-the-Range Microwave	WMH73521C, WMH76719C
DESIGN FEATURES	
Clock and timer display	Blue
FIT system	•
Fits freestanding or slide-in cutout	•
Metal handles	•
OVEN FEATURES	
Adjustable racks	3
Automatic oven light	•
Cleaning system	AquaLift® self-cleaning technology
Control lock	•
Convection Conversion	•
Frozen Bake™ technology	•
Hidden bake element	•
Keep Warm	•
Max Capacity recessed rack	•
Rack positions	7
Rapid Preheat	•
Sabbath mode	•
Temperature sensor	•
True convection cooking	•
COOKTOP FEATURES	
5,000 BTU AccuSimmer® burner	Left Rear
8,000 BTU Oval burner	Center
9,200 BTU multi-purpose burner	Right Rear
15,000 BTU SpeedHeat™ burner	Right Front
17,000 BTU SpeedHeat™ burner	Left Front
Edge-to-edge cast-iron grates	EZ-2-Lift™ hinged
Upswept SpillGuard™ cooktop	•
SPECIAL FEATURES/CERTIFICATIONS	
Star-K certified	•
Storage drawer	•
ACCESSORIES (Part No.)	
Side wing trim kit	
White	W10675027
Black	W10675026
Stainless Steel	W10675028
COLORS	
Available colors*	S H E

*S = Stainless Steel, H = White Ice, E = Black Ice

FREESTANDING DOUBLE OVEN ELECTRIC RANGES

Bold type indicates a step-up feature

MODEL	WGE555S0B	WGE745C0F	Induction WGI925C0B
Oven capacity (cu. ft.)	2.5 upper 4.2 lower	2.5 upper 4.2 lower	2.5 upper 4.2 lower
Total capacity (cu. ft.)	6.7	6.7	6.7
Recommended Over-the-Range Microwave	WMH53520C	WMH73521C	WMH76719C
DESIGN FEATURES			
Clock and timer display color	Blue	Blue	Blue
Electronic oven controls	•	•	•
Element type	Radiant	Radiant	Induction
UPPER & LOWER OVEN FEATURES			
Automatic oven light	•	•	•
Broil	•	•	•
Cleaning system	Precise Clean™ self-cleaning	Precise Clean™ self-cleaning	Precise Clean™ self-cleaning
Control lock	•	•	•
Hidden bake element	—	•	•
Keep Warm	•	•	•
Temperature sensor	•	•	•
UPPER OVEN FEATURES			
Adjustable rack	1	1	1
Frozen Bake™ technology	—	•	—
Rack positions	2	2	2
LOWER OVEN FEATURES			
Adjustable racks	2	2	2
Convection Conversion	—	•	—
Fan convection cooking	—	—	•
Rack positions	5	5	5
Rapid Preheat	•	•	•
Sabbath mode	•	•	•
SteamClean option	—	•	•
True convection cooking	—	•	—
COOKTOP FEATURES			
6" 1,200W element	Right Rear	Right Rear	—
6" 1,300W Boost element	—	—	Right Rear, Left Front
6" 700W Melt element	Left Rear	Left Rear	—
6" 100W Warm Zone element	—	Center Rear	—
6.7" 100W Warm Zone element	Center Rear	—	—
7" 2,500W Boost element	—	—	Right Front
9"/6" 3,000W/1,400W Dual element	Left Front	—	—
10" 2,500W element	Right Front	—	—
11" 3,700W Boost element	—	—	Left Rear
9"/6" 3,000W/1,000W Dual element	—	Right Front	—
12"/9"/6" 3,000W FlexHeat™ Triple element	—	Left Front	—
Easy-wipe ceramic glass cooktop	•	•	•
Induction technology	—	—	•
SPECIAL FEATURE/CERTIFICATION			
Star-K certified	•	•	•
COLORS			
Available colors*	W B S	S H E	S

*W = White, B = Black, S = Stainless Steel, H = White Ice, E = Black Ice

FREESTANDING DOUBLE OVEN GAS RANGES

Bold type indicates a step-up feature

MODEL	WGG555S0B	WGG745S0F
Oven capacity (cu. ft.)	2.1 upper 3.9 lower	2.1 upper 3.9 lower
Total capacity (cu. ft.)	6.0	6.0
Recommended Over-the-Range Microwave	WMH53520C	WMH73521C
DESIGN FEATURES		
Clock and timer display color	Blue	Blue
Electronic oven controls	•	•
UPPER & LOWER OVEN FEATURES		
Automatic oven light	•	•
Cleaning system	Precise Clean™ self-cleaning	Precise Clean™ self-cleaning
Control lock	•	•
Hidden bake element	•	•
Keep Warm	•	•
SteamClean Option	—	•
Temperature sensor	•	•
UPPER OVEN FEATURES		
Adjustable rack	1	1
Broil	•	•
Frozen Bake™ technology	—	•
Rack positions	2	2
LOWER OVEN FEATURES		
Adjustable racks	2	2
Convection Conversion	—	•
Rack positions	5	5
Rapid Preheat	—	•
Sabbath mode	•	•
True convection cooking	—	•
COOKTOP FEATURES		
5,000 BTU AccuSimmer® burner	Left Rear	Left Rear, Right Rear
7,350 BTU Oval burner	—	Center
9,200 BTU burner	Right Rear, Right Front	—
10,000 BTU burner	—	Right Front
15,000 BTU SpeedHeat™ burner	Left Front	—
16,000 BTU SpeedHeat™ burner	—	Left Front
Edge-to-edge cast-iron grates	•	EZ-2-Lift™ hinged
Upswept SpillGuard™ cooktop	•	•
SPECIAL FEATURE/CERTIFICATION		
Star-K certified	•	•
COLORS		
Available colors*	W B S	S H E

*W = White, B = Black, S = Stainless Steel, H = White Ice, E = Black Ice

FREESTANDING ELECTRIC RANGES

Bold type indicates a step-up feature

MODEL	WFC150M0E	WFC310S0E	WFC340S0E	WFE320M0E	WFE515S0E
Capacity (cu. ft.)	4.8	4.8	4.8	4.8	5.3
Recommended Over-the-Range Microwave	WMH31017A	WMH31017A	WMH32519C	WMH31017A	WMH32519C
DESIGN FEATURES					
Counter depth design	•	•	•	•	•
Element type	Coil	Coil	Coil	Radiant	Radiant
Front controls	—	—	•	—	—
OVEN FEATURES					
Adjustable racks	2	2	2	2	2
Broiling system	Standard	Standard	Standard	Standard	Standard
Cleaning system	—	Self-cleaning	Self-cleaning	—	Self-cleaning
Hidden bake element	—	—	—	—	•
Rack positions	5	5	5	5	5
Sabbath mode	•	•	—	•	•
SteamClean option	—	—	—	—	•
Temperature sensor	—	•	—	—	•
COOKTOP FEATURES					
6" 1,200W element	—	—	—	Left Rear, Right Rear	Left Rear, Right Rear
6" 1,250W element	Left Rear, Right Front	—	Left Rear, Right Front	—	—
6" 1,500W element	—	Left Rear, Right Front	—	—	—
8" 2,100W element	Right Rear, Left Front	—	Right Rear, Left Front	—	—
8" 2,600W element	—	Right Rear, Left Front	—	—	—
9" 2,500W element	—	—	—	Right Front	Right Front
9" 3,000W FlexHeat™ Dual element	—	—	—	Left Front	Left Front
Easy-wipe ceramic glass cooktop	—	—	—	•	•
High-speed coil elements	—	•	—	—	—
Porcelain-coated steel surface	•	•	•	—	—
SPECIAL FEATURES/CERTIFICATIONS					
Star-K certified	•	•	—	•	•
Storage drawer	•	•	•	•	•
COLORS					
Available colors*	W B	W B S	W B S	W B S	W B T D S

*W = White, B = Black, T = Biscuit, D = Universal Silver, S = Stainless Steel

FREESTANDING ELECTRIC RANGES (CONTINUED)

Bold type indicates a step-up feature

MODEL	WFE530C0E	WFE540H0E	WFE715H0E	WFE745H0F
Capacity	5.3	6.4	6.4	6.4
Recommended Over-the-Range Microwave	WMH53520C	WMH53520C	WMH73521C	WMH73521C
DESIGN FEATURES				
Counter depth design	•	•	•	•
Element type	Radiant	Radiant	Radiant	Radiant
OVEN FEATURES				
Adjustable racks	2	3	3	3
Adjustable split rack	—	—	•	•
Broiling system	Standard	Standard	Standard	Standard
Cleaning system	Self-cleaning	AquaLift® self-cleaning technology	AquaLift® self-cleaning technology	AquaLift® self-cleaning technology
Convection Conversion	—	—	•	•
Fan convection cooking	•	•	—	—
Frozen Bake™ technology	—	—	—	•
Hidden bake element	•	•	•	•
Max Capacity recessed rack	—	•	•	•
Rack positions	5	7	7	7
Rapid Preheat	—	—	•	•
Sabbath mode	•	•	•	•
SteamClean option	•	—	—	—
Temperature sensor	•	•	•	•
True convection cooking	—	—	•	•
COOKTOP FEATURES				
6" 1,200W element	Left Rear, Right Rear	Left Rear, Right Rear	Right Rear	Right Rear
6" 300W/1,300W Melt element	—	—	Left Rear	Left Rear
6" 100W Warm Zone element	Center Rear	Center Rear	Center Rear	Center Rear
9"/6" 3,000W FlexHeat™ Dual element	Right Front	Right Front	Right Front	Right Front
12"/9" 3,000W FlexHeat™ Dual element	Left Front	Left Front	Left Front	—
12"/9"/6" 3,000W FlexHeat™ Triple element	—	—	—	Left Front
Easy-wipe ceramic glass cooktop	•	•	•	•
SPECIAL FEATURES/CERTIFICATIONS				
Star-K certified	•	•	•	•
Storage drawer	•	•	—	•
Warming drawer	—	—	•	—
COLORS				
Available colors*	W B S	W B S H E	S H E	S H E

*W = White, B = Black, S = Stainless Steel, H = White Ice, E = Black Ice

FREESTANDING GAS RANGES

Bold type indicates a step-up feature

MODEL	WFG320M0B	WFG505M0B	WFG515S0E
Capacity	5.1	5.1	5.0
Recommended Over-the-Range Microwave	WMH32519C	WMH53520C	WMH32519C
DESIGN FEATURE			
Counter depth design	—	—	•
OVEN FEATURES			
Adjustable racks	2	2	2
Broiling system	Under oven	Under oven	Standard
Cleaning system	—	—	Self-cleaning
Hidden bake element	•	•	•
Large oven window	•	•	•
Rack positions	5	5	5
Sabbath mode	—	—	•
Temperature sensor	—	—	•
COOKTOP FEATURES			
5,000 BTU AccuSimmer® burner	Right Rear	Right Rear	Right Rear
8,000 BTU burner	—	Center	—
9,500 BTU burner	Left Rear	Left Rear	Left Rear
15,000 BTU SpeedHeat™ burner	Left Front, Right Front	Left Front, Right Front	Left Front, Right Front
Edge-to-edge cast-iron grates	—	—	•
Griddle (included)	—	•	—
Upswept SpillGuard™ cooktop	•	•	•
SPECIAL FEATURES/CERTIFICATIONS			
Broiler drawer	•	•	—
Star-K certified	—	—	•
Storage drawer	—	—	•
COLORS			
Available colors*	W B S	W B S	W B T D S

*W = White, B = Black, T = Biscuit, D = Universal Silver, S = Stainless Steel

FREESTANDING GAS RANGES (CONTINUED)

Bold type indicates a step-up feature

MODEL	WFG530S0E	WFG540H0E	WFG715H0E	WFG745H0F
Capacity	5.0	5.8	5.8	5.8
Recommended Over-the-Range Microwave	WMH53520C	WMH53520C	WMH73521C	WMH73521C
DESIGN FEATURE				
Counter depth design	•	•	•	•
OVEN FEATURES				
Adjustable racks	2	3	3	3
Adjustable split rack	—	—	•	•
Broiling system	Standard	Standard	Standard	Standard
Cleaning system	Self-cleaning	AquaLift® self-cleaning technology	AquaLift® self-cleaning technology	AquaLift® self-cleaning technology
Convection Conversion	—	—	•	•
Fan convection cooking	•	•	—	—
Frozen Bake™ technology	—	—	—	•
Hidden bake element	•	•	•	•
Max Capacity recessed rack	—	•	•	•
Rack positions	5	7	7	7
Rapid Preheat	—	—	•	•
Sabbath mode	•	•	•	•
Temperature sensor	•	•	•	•
True convection cooking	—	—	•	•
COOKTOP FEATURES				
5,000 BTU AccuSimmer® burner	Right Rear	Right Rear	Right Rear	Right Rear
8,000 BTU burner	Center	Center	Center	—
8,000 BTU Oval burner	—	—	—	Center
9,500 BTU burner	Left Rear	Left Rear	Left Rear	Left Rear
15,000 BTU SpeedHeat™ burner	Left Front, Right Front	Right Front	Right Front	Right Front
17,000 BTU SpeedHeat™ burner	—	Left Front	Left Front	Left Front
Edge-to-edge cast-iron grates	•	•	•	EZ-2-Lift™ hinged
Griddle (included)	—	—	•	—
Upswept SpillGuard™ cooktop	•	•	•	•
SPECIAL FEATURES/CERTIFICATIONS				
Star-K certified	•	•	•	•
Storage drawer	•	•	—	•
Warming drawer	—	—	•	—
COLORS				
Available colors*	W B S	W B S H E	S H E	S H E

*W = White, B = Black, S = Stainless Steel, H = White Ice, E = Black Ice

WALL OVENS

Fit home cooking into any kitchen



HeatRight™ system

Use the ideal settings to cook dishes properly. You're able to cook food faster* with True convection cooking's rear fan and third heating element that circulates hot air over, under and around food. Your oven will automatically adjust cooking times and temperatures of traditional recipes with Convection Conversion.



ReadySet™ system

Save time in your daily routine. Rapid Preheat heats the oven 25% faster** using all of the range elements and the True convection fan. Help food stay warm and ready to serve even when the family is running late with the Keep Warm setting.



CompleteClean system

Clean up kitchen messes quickly. Adjustable time self-cleaning takes on all kinds of messes in the oven with settings for light, moderate or heavy soils.

NOTE: Not all features available on all models.
Models shown: Double Wall Oven WOD97ES0ES, Gas Cooktop WCG97US0DS

*Compared to traditional thermal-bake cycle on the same model.

**Single rack baking with Rapid Preheat option versus three-rack without option.



SINGLE WALL OVENS

3.1 cu. ft. Oven – WOS11EM4E

CompleteClean system

Standard cleaning

HeatRight™ system

Temperature sensor

HelpingHand™ system

Sabbath mode

QuickSelect™ system

Electronic controls

ReadySet™ system

Delay Bake

Keep Warm

Additional features

Closed door broiling

Dual interior lighting

Star-K certified

Time Bake



WOS11EM4E



White (W)



Black (B)

3.1 cu. ft. Oven – WOS51ES4E

CompleteClean system

⊕ Self-cleaning

HeatRight™ system

Temperature sensor

HelpingHand™ system

Sabbath mode

QuickSelect™ system

Electronic controls

ReadySet™ system

Delay Bake

Keep Warm

Additional features

Closed door broiling

Dual interior lighting

Star-K certified

Time Bake



WOS51ES4E



White (W)



Black (B)



Stainless
Steel (S)

⊕ Indicates a step-up feature

For more details, see feature glossary on page 232



4.3 cu. ft. Oven –
WOS51EC7A

5.0 cu. ft. Oven –
WOS51EC0A

CompleteClean system

- ⊕ Hidden bake element
- ⊕ Precise Clean™ self-cleaning
- ⊕ SteamClean option

HeatRight™ system

Temperature sensor

HelpingHand™ system

Sabbath mode

QuickSelect™ system

Electronic controls

ReadySet™ system

Delay Bake

Keep Warm

Additional features

- ⊕ Custom broil
- Dual interior lighting
- ⊕ Large oven window
- Star-K certified
- Time Bake

WOS51EC7A / WOS51EC0A



White (W)



Black (B)



Stainless
Steel (S)

SINGLE WALL OVENS

4.3 cu. ft. Oven –
WOS92EC7A

5.0 cu. ft. Oven –
WOS92EC0A

CompleteClean system

- Hidden bake element
- Precise Clean™ self-cleaning
- SteamClean option

HeatRight™ system

- ⊕ Convection Conversion
- Temperature sensor
- ⊕ True convection cooking

HelpingHand™ system

- Sabbath mode

QuickSelect™ system

- Electronic controls

ReadySet™ system

- Delay Bake
- Keep Warm

- ⊕ Rapid Preheat

Additional features

- Custom broil
- Dual interior lighting
- Large oven window
- Star-K certified
- Time Bake



WOS92EC7A / WOS92EC0A



Black (B)



Stainless
Steel (S)



White Ice (H)
5.0 cu. ft.
oven only



Black Ice (E)
5.0 cu. ft.
oven only

⊕ Indicates a step-up feature

*According to a leading consumer magazine, 2015. Model WOS92EC0A.

For more details, see feature glossary on page 232



WOS97ES0E



Stainless Steel (S)



5.0 cu. ft. Oven – WOS97ES0E

CompleteClean system

- ⊕ Adjustable time self-cleaning
- Hidden bake element
- SteamClean option

CookCoach™ system

- ⊕ Digital meat thermometer

HeatRight™ system

- ⊕ Bread proofing function
- Convection Conversion
- Temperature sensor
- True convection cooking

HelpingHand™ system

- Sabbath mode

QuickSelect™ system

- ⊕ Tap Touch controls

ReadySet™ system

- Delay Bake
- Rapid Preheat

Additional features

- Custom broil
- ⊕ Flush installation approved
- Large oven window
- ⊕ Panoramic halogen lighting
- ⊕ Smooth glide roll-out rack
- Star-K certified
- Time Bake



DOUBLE WALL OVENS

6.2 total cu. ft. Oven – WOD51ES4E

CompleteClean system

Self-cleaning

HeatRight™ system

Temperature sensor

HelpingHand™ system

Sabbath mode

QuickSelect™ system

Electronic controls

ReadySet™ system

Delay Bake

Keep Warm

Additional features

Closed door broiling

Dual interior lighting

Star-K certified

Time Bake



WOD51ES4E



White (W)



Black (B)



Stainless Steel (S)

8.6 total cu. ft. Oven – WOD51EC7A

10.0 total cu. ft. Oven – WOD51EC0A

CompleteClean system

⊕ Hidden bake element

⊕ Precise Clean™ self-cleaning

⊕ SteamClean option

HeatRight™ system

Temperature sensor

HelpingHand™ system

Sabbath mode

QuickSelect™ system

Electronic controls

ReadySet™ system

Delay Bake

Keep Warm

Additional features

⊕ Custom broil

Dual interior lighting

⊕ Large oven window

Star-K certified

Time Bake



WOD51EC7A / WOD51EC0A



White (W)



Black (B)



Stainless Steel (S)

⊕ Indicates a step-up feature

For more details, see feature glossary on page 232

DOUBLE WALL OVENS



WOD93EC7A / WOD93EC0A



Black (B)



Stainless Steel (S)



White Ice (H)
10.0 cu. ft.
oven only



Black Ice (E)
10.0 cu. ft.
oven only



8.6 total cu. ft. Oven –
WOD93EC7A

10.0 total cu. ft. Oven –
WOD93EC0A



CompleteClean system

- Hidden bake element
- Precise Clean™ self-cleaning
- SteamClean option

HeatRight™ system

- ⊕ Convection Conversion (upper oven only)
- Temperature sensor
- Thermal (lower oven only)
- ⊕ True convection cooking (upper oven only)

HelpingHand™ system

- Sabbath mode

QuickSelect™ system

- Electronic controls

ReadySet™ system

- Delay Bake
- Keep Warm
- ⊕ Rapid Preheat

Additional features

- Custom broil
- Dual interior lighting
- Large oven window
- Star-K certified
- Time Bake

*According to a leading consumer magazine, 2015. Model WOD93EC0A.

DOUBLE WALL OVENS

10.0 total cu. ft. Oven – WOD97ES0E

CompleteClean™ system

- ⊕ Adjustable time self-cleaning
- Hidden bake element
- SteamClean option

CookCoach™ system

- ⊕ Digital meat thermometer

HeatRight™ system

- ⊕ Bread proofing function
- ⊕ Convection Conversion (both ovens)
- Temperature sensor
- ⊕ True convection cooking (both ovens)

HelpingHand™ system

- Sabbath mode

QuickSelect™ system

- ⊕ Tap Touch controls

ReadySet™ system

- Delay Bake
- Rapid Preheat

Additional features

- Custom broil
- ⊕ Flush installation approved
- Large oven window
- ⊕ Panoramic halogen lighting
- ⊕ Smooth glide roll-out rack
- Star-K certified
- Time Bake



WOD97ES0E



Stainless
Steel (S)

⊕ Indicates a step-up feature

For more details, see feature glossary on page 232

COMBINATION WALL OVENS

**5.7 total cu. ft. Oven –
WOC54EC7A**

**6.4 total cu. ft. Oven –
WOC54EC0A**

CompleteClean™ system

- Hidden bake element
- Precise Clean™ self-cleaning
- SteamClean option

HeatRight™ system

- Temperature sensor

HelpingHand™ system

- Sabbath mode

QuickSelect™ system

- Electronic controls

ReadySet™ system

- Delay Bake
- Keep Warm

Additional features

- 900W microwave cooking power
- Custom broil
- Dual interior lighting
- Large oven window
- Star-K certified
- Time Bake



WOC54EC7A / WOC54EC0A



White (W)
6.4 cu. ft.
oven only



Black (B)



Stainless
Steel (S)

COMBINATION WALL OVENS

6.4 total cu. ft. Oven – WOC95EC0A

CompleteClean system

- Hidden bake element
- Precise Clean™ self-cleaning
- SteamClean option

HeatRight™ system

- ⊕ Convection Conversion
- Temperature sensor
- ⊕ True convection cooking

HelpingHand™ system

- Sabbath mode

QuickSelect™ system

- Electronic controls

ReadySet™ system

- Delay Bake
- Keep Warm

- ⊕ Rapid Preheat

Additional features

- 900W microwave cooking power
- Custom broil
- Dual interior lighting
- Large oven window
- Star-K certified
- Time Bake



WOC95EC0A



Black (B)



Stainless
Steel (S)



White Ice (H)



Black Ice (E)

⊕ Indicates a step-up feature

For more details, see feature glossary on page 232

COMBINATION WALL OVENS



WOC97ES0E



Stainless
Steel (S)



6.4 total cu. ft. Oven – WOC97ES0E

CompleteClean™ system

- ⊕ Adjustable time self-cleaning
- Hidden bake element
- SteamClean option

CookCoach™ system

- ⊕ Digital meat thermometer

HeatRight™ system

- ⊕ 1,600W microwave grill element
- ⊕ Bread proofing function
- Convection Conversion
- ⊕ Microwave Convection and Crisp technology (1,600W element)
- Temperature sensor
- True convection cooking

HelpingHand™ system

- Sabbath mode

QuickSelect™ system

- ⊕ Tap Touch controls

ReadySet™ system

- Delay Bake
- Rapid Preheat

Additional features

- 900W microwave cooking power
- Custom broil
- ⊕ Flush installation approved
- Large oven window
- ⊕ Microwave crisp pan, grill accessory and steamer included
- ⊕ Panoramic halogen lighting
- ⊕ Smooth glide roll-out rack
- Star-K certified
- Time Bake

SINGLE WALL OVENS

Bold type indicates a step-up feature

MODEL	24-Inch WOS11EM4E	24-Inch WOS51ES4E	27-Inch WOS51EC7A 30-Inch WOS51EC0A	27-Inch WOS92EC7A 30-Inch WOS92EC0A	30-Inch WOS97ES0E
Capacity (cu. ft.)	3.1	3.1	4.3/5.0	4.3/5.0	5.0
Approved for under-the-counter installation*	•	•	•	•	•
DESIGN FEATURES					
Controls	Electronic	Electronic	Electronic	Electronic	Tap Touch
FIT system	—	—	•	•	•
Flush installation approved	—	—	—	—	•
Metal handle	—	•	•	•	•
OVEN FEATURES					
Adjustable racks	2	2	2	3	3
Bread proofing function	—	—	—	—	•
Cleaning system	—	Self-cleaning	Precise Clean™ self-cleaning	Precise Clean™ self-cleaning	Adjustable time self-cleaning
Closed door broiling	•	•	•	•	•
Control lock	•	•	•	•	•
Convection Conversion	—	—	—	•	•
Custom broil	—	—	•	•	•
Delay Bake	12-hour	12-hour	•	•	•
Digital meat thermometer	—	—	—	—	•
Hidden bake element	—	—	•	•	•
Keep Warm	•	•	•	•	—
Large oven window	—	—	•	•	•
Oven light	Dual	Dual	Dual	Dual	Panoramic halogen
Rack positions	5	5	6	6	6
Rapid Preheat	—	—	—	•	•
Sabbath mode	•	•	•	•	•
Smooth glide roll-out rack	—	—	—	—	•
SteamClean option	—	—	•	•	•
Temperature sensor	•	•	•	•	•
Time Bake	•	•	•	•	•
True convection cooking	—	—	—	•	•
SPECIAL FEATURE/CERTIFICATION					
Star-K certified	•	•	•	•	•
GENERAL INFORMATION					
Bake element watts at 240/208 volts	2000W/1500W	2000W/1500W	2800W/2427W	2800W/2427W	2800W/2427W
Broil element watts at 240/208 volts	3600W/3120W	3600W/3120W	3600W/3120W	3600W/3120W	3600W/3120W
Convection element watts at 240/208 volts	—	—	—	2500W/2167W	2500W/2167W
Circuit amperage	20 Amps	20 Amps	30 Amps	30 Amps	20 Amps
Total connected load at 240 volts	3.7kW	3.7kW	3.7kW	3.7kW	3.7kW
Total connected load at 208 volts	2.8kW	2.8kW	2.8kW	2.8kW	2.8kW
24" oven cavity size (H x W x D)	16" x 19" x 17½"	16" x 19" x 17½"	—	—	—
27" oven cavity size (H x W x D)	—	—	18" x 22" x 19"	18" x 22" x 19"	—
30" oven cavity size (H x W x D)	—	—	18" x 25" x 19"	18" x 25" x 19"	18" x 25" x 19"
COLORS					
Available colors**	W B	W B S	W B S	B S H [†] E [†]	S

*Approved electric and gas cooktops compatible with single wall oven under-the-counter installation: RCS2012R, WCC31430A, W5CE3024X, G7CE3034X, G9CE3065X, GCI3061X, W5CE3625A, G7CE3635X, W3CG3014X, WCG51US0D, WCG51US6D, WCG75US0D, WCG97US0D and WCG97US6D.

**W = White, B = Black, S = Stainless Steel, H = White Ice, E = Black Ice. †WOS92EC0A only.

DOUBLE & COMBINATION WALL OVENS

Bold type indicates a step-up feature

MODEL	24-Inch WOD51ES4E	27-Inch WOD51EC7A 30-Inch WOD51EC0A	27-Inch WOD93EC7A 30-Inch WOD93EC0A	30-Inch WOD97ES0E	27-Inch WOC54EC7A 30-Inch WOC54EC0A	30-Inch WOC95EC0A	30-Inch WOC97ES0E
Oven capacity (cu. ft.)	3.1 upper 3.1 lower	4.3/5.0 upper 4.3/5.0 lower	4.3/5.0 upper 4.3/5.0 lower	5.0 upper 5.0 lower	1.4 upper (microwave) 4.3/5.0 lower	1.4 upper (microwave) 5.0 lower	1.4 upper (microwave) 5.0 lower
Total capacity (cu. ft.)	6.2	8.6/10.0	8.6/10.0	10.0	5.7/6.4	6.4	6.4
DESIGN FEATURES							
Controls	Electronic	Electronic	Electronic	Tap Touch	Electronic	Electronic	Tap Touch
FIT system	—	•	•	•	—	—	—
Flush installation approved	—	—	—	•	—	—	•
Metal handles	•	•	•	•	•	•	•
MICROWAVE OVEN FEATURES							
Convection power (watts)	—	—	—	—	—	—	1,600
Crisp, Broil, Bake & Steam features	—	—	—	—	—	—	•
Grill power (watts)	—	—	—	—	—	—	1,600
Microwave power (watts)	—	—	—	—	900	900	900
Sensor microwave with drop-down door	—	—	—	—	•	•	•
Stainless steel interior	—	—	—	—	•	•	—
Steam cooking	—	—	—	—	Part No. 8205262RB	Part No. 8205262RB	•
Turntable diameter	—	—	—	—	14½"	14½"	14½"
OVEN FEATURES							
Adjustable racks	2 upper/2 lower	2 upper/2 lower	3 upper/2 lower	3 upper/2 lower	2	3	3
Bread proofing function	—	—	—	•	—	—	•
Cleaning system	Self-cleaning – upper	Precise Clean™ self-cleaning	Precise Clean™ self-cleaning	Adjustable time self-cleaning	Precise Clean™ self-cleaning	Precise Clean™ self-cleaning	Adjustable time self-cleaning
Closed door broiling	•	•	•	•	•	•	•
Control lock	•	•	•	•	•	•	•
Convection Conversion	—	—	Upper only	•	—	•	•
Custom broil	—	•	•	•	•	•	•
Delay Bake	12-hour	•	•	•	•	•	•
Digital meat thermometer	—	—	—	•	—	—	•
Hidden bake element	—	•	•	•	•	•	•
Keep Warm	•	•	•	—	•	•	—
Large oven window	—	•	•	•	•	•	•
Oven lights	Dual	Dual	Dual	Panoramic halogen	Dual	Dual	Panoramic halogen
Rack positions	5	6	6	6	6	6	6
Rapid Preheat	—	—	•	•	—	•	•
Sabbath mode	•	•	•	•	•	•	•
Smooth glide roll-out rack	—	—	—	•	—	—	•
SteamClean option	—	•	•	•	•	•	•
Temperature sensor	•	•	•	•	•	•	•
Time Bake	•	•	•	•	•	•	•
True convection cooking	—	—	Upper only	•	—	•	•
SPECIAL FEATURE/CERTIFICATION							
Star-K certified	•	•	•	•	•	•	•
GENERAL INFORMATION							
Bake element watts at 240/208 volts	2000W/1500W	2800W/2427W	2800W/2427W	2800W/2427W	2800W/2427W	2800W/2427W	2800W/2427W
Broil element watts at 240/208 volts	3600W/3120W	3600W/3120W	3600W/3120W	3600W/3120W	3600W/3120W	3600W/3120W	3600W/3120W
Convection element watts at 240/208 volts	—	—	2500W/2167W	2500W/2167W	—	2500W/2167W	2500W/2167W
Circuit amperage	30 Amps	40 Amps	40 Amps	40 Amps	40 Amps	40 Amps	40 Amps
Total connected load at 240 volts	7.4kW	7.4kW	7.4kW	7.4kW	5.5kW	5.5kW	5.5kW
Total connected load at 208 volts	5.6kW	5.6kW	5.6kW	5.6kW	4.6kW	4.6kW	4.6kW
24" oven cavity size (H x W x D)	16" x 19" x 17½"	—	—	—	—	—	—
27" oven cavity size (H x W x D)	—	18" x 22" x 19"	18" x 22" x 19"	—	18" x 22" x 19"	—	—
30" oven cavity size (H x W x D)	—	18" x 25" x 19"	18" x 25" x 19"	18" x 25" x 19"	18" x 25" x 19"	18" x 25" x 19"	18" x 25" x 19"
COLORS							
Available colors*	W B S	W B S	B S H** E**	S	W* B S	B S H E	S

*W = White, B = Black, S = Stainless Steel, H = White Ice, E = Black Ice. **WOD93EC0A only. †WOC54EC0A only.



COOKTOPS

Flexible features for more cooking options



QuickSelect™ system

Get started and make changes fast. Dual elements offer two elements in one to save space and accommodate various sizes of cookware. The FlexHeat™ burner provides accurate lower temperatures for your most delicate dishes with one row of flames and adds a second row for rapid boiling and searing.



ReadySet™ system

Convenient features help you save time in your daily routine. The SpeedHeat™ burner generates the high heat needed for rapid boiling, searing and frying. The Warm Zone element keeps food warm while the rest of the meal is being prepared.



CompleteClean system

Clean up kitchen messes quickly. Glass cooktops are easy to clean, while Upswept SpillGuard™ cooktops and sealed burners help contain spills and prevent food from dropping down into the burner area. Dishwasher-safe knobs and grates help keep your cooktop looking like new.

NOTE: Not all features available on all models.
Models shown: Gas Cooktop WCG97US0DS,
Wall Mount Canopy Hood WVV75UC6DS, Double Wall Oven WOD97ES0ES

ELECTRIC COOKTOPS

21" Cooktop – RCS2012R

CompleteClean system

Chrome drip bowls

QuickSelect™ system

Infinite heat controls

"On" indicator light

ReadySet™ system

6" 1,250W/900W high-speed coil element

8" 2,100W/1,575W high-speed coil element

Additional feature

Wall oven compatible



RCS2012R



Stainless
Steel (S)

30" Cooktop – WCC31430A

CompleteClean system

⊕ Dishwasher-safe knobs

⊕ Upswept SpillGuard™ cooktop

QuickSelect™ system

Infinite heat controls

"On" indicator light

ReadySet™ system

⊕ (2) 6" 1,500W high-speed coil elements

⊕ (2) 8" 2,600W high-speed coil elements

Additional feature

Wall oven compatible



WCC31430A



White (W)



Black (B)

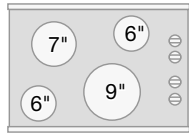


Chrome (R)

⊕ Indicates a step-up feature

*Stainless Steel model only.

For more details, see feature glossary on page 232



W5CE3024X



White (W)

Black (B)

Stainless Steel (S)

30" Cooktop – W5CE3024X

CompleteClean system

Dishwasher-safe knobs

+ Glass cooktop

QuickSelect™ system

+ Hot surface indicator light

Infinite heat controls

“On” indicator light

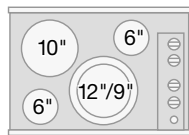
Additional features

+ (2) 6" 1,200W radiant elements

+ 7" 1,800W radiant element

+ 9" 2,500W radiant element

Wall oven compatible



G7CE3034X



Pure White (P)

Black (B)

Stainless Steel (S)

30" Cooktop – G7CE3034X

CompleteClean system

+ Dishwasher-safe stainless steel finish knobs*

Glass cooktop

HeatRight™ system

+ 6" 1,200W AccuSimmer® element

QuickSelect™ system

+ 12"/9" 3,000W/1,900W AccuSimmer® Dual element

Hot surface indicator light

Infinite heat controls

“On” indicator light

Additional features

6" 1,200W radiant element

+ 10" 2,500W radiant element

Wall oven compatible

ELECTRIC COOKTOPS

30" Cooktop – G9CE3065X

CompleteClean system

Glass cooktop

HeatRight™ system

⊕ (2) 6" 1,200W AccuSimmer® elements

⊕ 9" 2,200W AccuSimmer® element

QuickSelect™ system

10"/6" 2,500W/1,200W
AccuSimmer® Dual element

⊕ Control lock

Hot surface indicator light

"On" indicator light

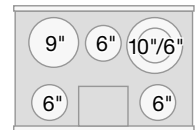
⊕ Tap Touch controls

ReadySet™ system

⊕ 6" 100W AccuSimmer®
Warm Zone center element

Additional feature

Wall oven compatible



G9CE3065X



Black (B)



Stainless
Steel (S)

30" Cooktop – GCI3061X

CompleteClean system

⊕ Easy-wipe ceramic glass cooktop

HeatRight™ system

⊕ (2) 6" 1,400W induction elements

⊕ 8" 2,300W induction element

⊕ Induction technology

QuickSelect™ system

Control lock

Hot surface indicator light

"On" indicator light

Tap Touch controls

ReadySet™ system

⊕ 9" 2,300W/3,200W Boost element



GCI3061X

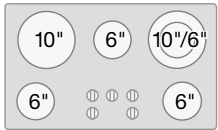


Black (B)

⊕ Indicates a step-up feature

*Stainless Steel model only.

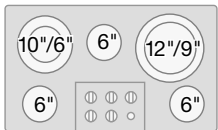
For more details, see feature glossary on page 232



W5CE3625A



Black (B)



G7CE3635X



Black (B)



Stainless Steel (S)



36" Cooktop – W5CE3625A

CompleteClean system

- ⊕ Dishwasher-safe knobs
- Easy-wipe ceramic glass cooktop

QuickSelect™ system

- 10"/6" 2,500W/1,200W Dual element
- Hot surface indicator light

- ⊕ Infinite heat controls

"On" indicator light

ReadySet™ system

- ⊕ 6" 100W Warm Zone center element

Additional features

- (2) 6" 1,200W radiant elements
- 10" 2,500W radiant element

- ⊕ Wall oven compatible

36" Cooktop – G7CE3635X

CompleteClean system

- ⊕ Dishwasher-safe stainless steel finish knobs*
- Glass cooktop

HeatRight™ system

- ⊕ 6" 1,200W AccuSimmer® element

QuickSelect™ system

- 10"/6" 2,500W/1,200W Dual element
- ⊕ 12"/9" 3,000W/1,900W AccuSimmer® Dual element

Hot surface indicator light

Infinite heat controls

"On" indicator light

ReadySet™ system

- 6" 100W Warm Zone center element

Additional features

- 6" 1,200W radiant element
- Wall oven compatible

GAS COOKTOPS

30" Cooktop – W3CG3014X

CompleteClean system

- Dishwasher-safe grates
- Sealed burners

HeatRight™ system

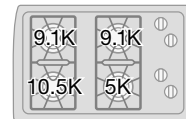
- 5,000 BTU AccuSimmer® burner

QuickSelect™ system

- Infinite heat controls

Additional features

- (2) 9,100 BTU burners
- 10,500 BTU burner
- Wall oven compatible



W3CG3014X



White (W)



Black (B)



Stainless
Steel (S)

30" Cooktop – WCG51US0D

CompleteClean system

- ⊕ Dishwasher-safe knobs
- Sealed burners

- ⊕ Upswept SpillGuard™ cooktop

HeatRight™ system

- 5,000 BTU AccuSimmer® burner

HelpingHand™ system

- ⊕ Dishwasher-safe, edge-to-edge cast-iron grates

QuickSelect™ system

- Infinite heat controls

ReadySet™ system

- ⊕ 12,000 BTU SpeedHeat™ burner
- ⊕ 15,000 BTU SpeedHeat™ burner

Additional features

- 9,100 BTU burner
- ⊕ Optional griddle
- ⊕ Optional stainless steel knobs
- Wall oven compatible



WCG51US0D



White (W)



Black (B)



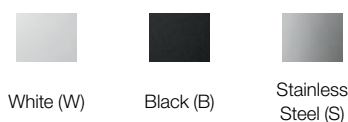
Stainless
Steel (S)

⊕ Indicates a step-up feature

For more details, see feature glossary on page 232



WCG51US6D



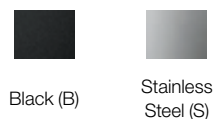
White (W)

Black (B)

Stainless Steel (S)



WCG75US0D



Black (B)

Stainless Steel (S)

36" Cooktop – WCG51US6D

CompleteClean system

- Dishwasher-safe knobs
- Sealed burners
- Upswept SpillGuard™ cooktop

HeatRight™ system

- 5,000 BTU AccuSimmer® burner

HelpingHand™ system

- Dishwasher-safe, edge-to-edge cast-iron grates

QuickSelect™ system

- Infinite heat controls

ReadySet™ system

- 12,000 BTU SpeedHeat™ burner
- 15,000 BTU SpeedHeat™ center burner

Additional features

- ⊕ (2) 9,100 BTU burners
- Optional griddle
- Optional stainless steel knobs
- Wall oven compatible

30" Cooktop – WCG75US0D

CompleteClean system

- ⊕ Dishwasher-safe, EZ-2-Lift™ hinged edge-to-edge cast-iron grates
- Dishwasher-safe knobs
- Sealed burners
- Upswept SpillGuard™ cooktop

HeatRight™ system

- 5,000 BTU AccuSimmer® burner

QuickSelect™ system

- Infinite heat controls

ReadySet™ system

- 12,000 BTU SpeedHeat™ burner
- ⊕ 18,000 BTU SpeedHeat™ burner

Additional features

- 9,100 BTU burner
- Optional griddle
- Optional stainless steel knobs
- Wall oven compatible

GAS COOKTOPS

30" Cooktop – WCG97US0D

CompleteClean system

Dishwasher-safe, EZ-2-Lift™ hinged edge-to-edge cast-iron grates

- ⊕ Dishwasher-safe stainless steel finish knobs

Sealed burners

Upswept SpillGuard™ cooktop

HeatRight™ system

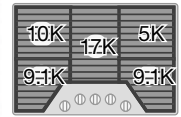
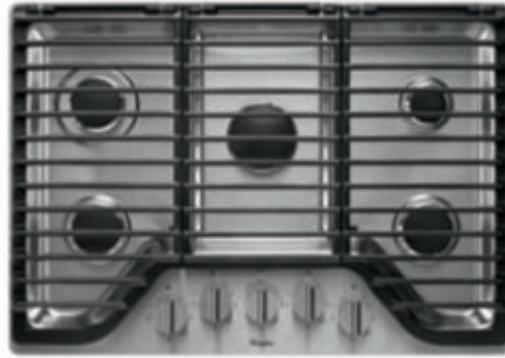
5,000 BTU AccuSimmer® burner

QuickSelect™ system

- ⊕ 17,000 BTU FlexHeat™ center burner
- Infinite heat controls

Additional features

- ⊕ (2) 9,100 BTU burners
- ⊕ 10,000 BTU burner
- Optional griddle
- Wall oven compatible



WCG97US0D



Stainless
Steel (S)

⊕ Indicates a step-up feature

For more details, see feature glossary on page 232

**36" Cooktop –
WCG97US6D**

CompleteClean system

Dishwasher-safe, EZ-2-Lift™ hinged edge-to-edge cast-iron grates

Dishwasher-safe stainless steel finish knobs

Sealed burners

Upswept SpillGuard™ cooktop

HeatRight™ system

5,000 BTU AccuSimmer® burner

QuickSelect™ system

⊕ 18,000 BTU FlexHeat™ center burner

Infinite heat controls

ReadySet™ system

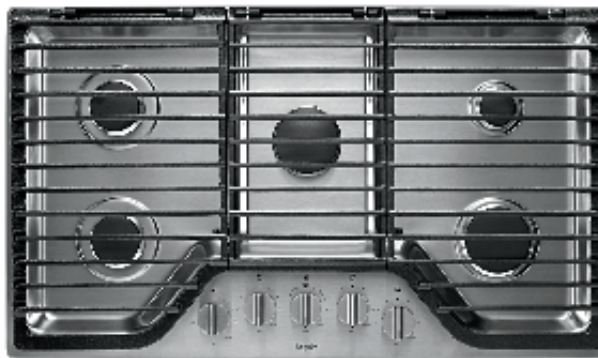
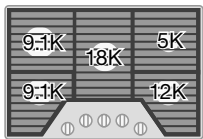
⊕ 12,000 BTU SpeedHeat™ burner

Additional features

(2) 9,100 BTU burners

Optional griddle

Wall oven compatible



WCG97US6D



Stainless Steel (S)

ELECTRIC COOKTOPS

Bold type indicates a step-up feature

MODEL	21-Inch RCS2012R	30-Inch WCC31430A	30-Inch W5CE3024X	30-Inch G7CE3034X
Approved for installation above a single wall oven*	•	•	•	•
DESIGN FEATURE				
Element type	High-speed coil	High-speed coil	Radiant	Radiant
COOKTOP FEATURES				
6" 1,200W element	—	—	Right Rear, Left Front	Right Rear, Left Front
6" 1,250W/900W element	Left Front	—	—	—
6" 1,500W element	—	Right Rear, Left Front	—	—
7" 1,800W element	—	—	Left Rear	—
8" 2,100W/1,575W element	Right Front	—	—	—
8" 2,600W element	—	Left Rear, Right Front	—	—
9" 2,500W element	—	—	Right Front	—
10" 2,500W element	—	—	—	Left Rear
12"/9" 3,000W/1,900W AccuSimmer® Dual element	—	—	—	Right Front
Chrome drip bowls	•	No drip	—	—
Controls	Knobs	Knobs	Knobs	Stainless steel finish knobs**
Cooktop surface	Stainless steel	Upswept SpillGuard™	Glass	Glass
Dishwasher-safe knobs	—	•	•	•
Hot surface indicator light	—	—	•	•
Infinite heat controls	•	•	•	•
"On" indicator light	•	•	•	•
Simmer function	—	—	•	•
Volts/circuit amps or VAC required	240/20	240/40	240/30	240/40
COLORS				
Available colors†	S	W B R	W B S	P B S

*Compatible single wall ovens: WOS11EM4E, WOS51ES4E, WOS51EC7A, WOS51EC0A, WOS92EC7A, WOS92EC0A and WOS97ES0E.

**Stainless Steel model only. †W = White, P = Pure White, B = Black, R = Chrome, S = Stainless Steel

ELECTRIC COOKTOPS (CONTINUED)

Bold type indicates a step-up feature

MODEL	30-Inch G9CE3065X	30-Inch GCI3061X	36-Inch W5CE3625A	36-Inch G7CE3635X
Approved for installation above a single wall oven*	•	—	•	•
DESIGN FEATURE				
Element type	Radiant	Induction	Radiant	Radiant
COOKTOP FEATURES				
6" 1,200W element	Left Front, Right Front	—	Left Front, Right Front	Left Front, Right Front
6" 1,400W element	—	Left Front, Right Front	—	—
6" 100W Warm Zone element	Center Rear	—	Center Rear	Center Rear
8" 2,300W element	—	Right Rear	—	—
9" 2,200W AccuSimmer® element	Left Rear	—	—	—
9" 2,300W/3,200W Boost element	—	Left Rear	—	—
10" 2,500W element	—	—	Left Rear	—
10"/6" 2,500W/1,200W Dual element	Right Rear	—	Right Rear	Left Rear
12"/9" 3,000W/1,900W AccuSimmer® Dual element	—	—	—	Right Rear
AccuHeat™ induction technology	—	•	—	—
Automatic pan detection	—	•	—	—
Boost function	—	•	—	—
Control lock	•	•	—	—
Controls	Tap Touch	Tap Touch	Knobs	Stainless steel finish knobs**
Cooktop surface	Glass	Easy-wipe ceramic glass	Easy-wipe ceramic glass	Glass
Dishwasher-safe knobs	—	—	•	•
Hot surface indicator lights	•	•	•	•
Infinite heat controls	—	—	•	•
"On" indicator light	•	•	•	•
Simmer function	•	•	•	•
Timer	—	•	—	—
Volts/circuit amps or VAC required	240/30	240/40	240/40	240/40
COLORS				
Available colors†	B S	B	B	B S

*Compatible single wall ovens: WOS11EM4E, WOS51ES4E, WOS51EC7A, WOS51EC0A, WOS92EC7A, WOS92EC0A and WOS97ES0E.
 **Stainless Steel model only. †B = Black, S = Stainless Steel

GAS COOKTOPS

Bold type indicates a step-up feature

MODEL	30-inch W3CG3014X	30-inch WCG51US0D	36-inch WCG51US6D
Approved for installation above a single wall oven*	•	•	•
COOKTOP FEATURES			
5,000 BTU AccuSimmer® burner	Right Front	Left Front	Right Rear
9,100 BTU burner	Left Rear, Right Rear	Right Front	Left Rear, Left Front
10,500 BTU burner	Left Front	—	—
12,000 BTU SpeedHeat™ burner	—	Right Rear	Right Front
15,000 BTU SpeedHeat™ burner	—	Left Rear	Center
Cooktop surface	Porcelain or stainless steel	Porcelain or stainless steel	Porcelain or stainless steel
Dishwasher-safe grates	Enamel steel	•	•
Dishwasher-safe knobs	—	•	•
Edge-to-edge cast-iron grates	—	•	•
Infinite heat controls	•	•	•
LP conversion kit (included)	•	•	•
Sealed burners	•	•	•
Upswept SpillGuard™ cooktop	—	•	•
Volts/Amps required	120/15	120/15	120/15
ACCESSORIES (Part No.)			
Grates – White Ice (H)	—	W10594440	W10594443
Optional griddle	—	W10685483	W10685483
Stainless steel knobs	—	•	•
COLORS			
Available colors**	W B S	W B S	W B S

*Compatible single wall ovens: WOS11EM4E, WOS51ES4E, WOS51EC7A, WOS51EC0A, WOS92EC7A, WOS92EC0A and WOS97ES0E.
 **W = White, B = Black, S = Stainless Steel

GAS COOKTOPS (CONTINUED)

Bold type indicates a step-up feature

MODEL	30-inch WCG75US0D	30-inch WCG97US0D	36-inch WCG97US6D
Approved for installation above a single wall oven*	•	•	•
COOKTOP FEATURES			
5,000 BTU AccuSimmer® burner	Left Front	Right Rear	Right Rear
9,100 BTU burner	Right Front	Left Front, Right Front	Left Rear, Left Front
10,000 BTU burner	—	Left Rear	—
12,000 BTU SpeedHeat™ burner	Right Rear	—	Right Front
17,000 BTU FlexHeat™ burner	—	Center	—
18,000 BTU SpeedHeat™ burner	Left Rear	—	—
18,000 BTU FlexHeat™ burner	—	—	Center
Cooktop surface	Porcelain or stainless steel	Stainless steel	Stainless steel
Dishwasher-safe grates	•	•	•
Dishwasher-safe knobs	•	Stainless steel finish	Stainless steel finish
EZ-2-Lift™ hinged edge-to-edge cast-iron grates	•	•	•
Infinite heat controls	•	•	•
LP conversion kit (included)	•	•	•
Sealed burners	•	•	•
Upswept SpillGuard™ cooktop	•	•	•
Volts/Amps required	120/15	120/15	120/15
ACCESSORIES (Part No.)			
Grates – White Ice (H)	W10594440	—	—
Optional griddle	W10685483	W10685483	W10685483
Stainless steel knobs	•	—	—
COLORS			
Available colors**	B S	S	S

*Compatible single wall ovens: WOS11EM4E, WOS51ES4E, WOS51EC7A, WOS51EC0A, WOS92EC7A, WOS92EC0A and WOS97ES0E.
 **B = Black, S = Stainless Steel

MICROWAVES

Sense and adapt to conveniently heat up food



CookCoach™ system

With features that provide help each step of the way, you'll have the confidence to handle new recipes and favorites. Sensor cooking automatically adjusts the cook time so you don't have to guess.



HeatRight™ system

Use the ideal settings to cook every dish properly. True convection cooking uses a heating element to cook food faster.* Steam cooking conveniently steams foods such as rice, vegetables and fish with the microwave steamer.



CompleteClean system

Clean up kitchen messes quickly. A CleanRelease® non-stick interior reduces cleaning effort, while the SteamClean option uses steam and heat to gently release cooked-on food without harsh chemicals.

NOTE: Not all features available on all models.

Models shown: Over-the-Range Microwave WMH76719CS and Front Control Electric Range WEE730H0DS

*Compared to traditional thermal-bake cycle on the same model.





OVER-THE-RANGE MICROWAVES

1.7 cu. ft. Microwave – WMH31017A

CompleteClean system

Recessed glass turntable

CookCoach™ system

8 presets

Additional features

2-speed, 220 CFM fan

1,000W cooking power

Hidden vent



WMH31017A



White (W)



Black (B)



Universal
Silver (D)



Stainless
Steel (S)

1.9 cu. ft. Microwave – WMH32519C

CompleteClean system

⊕ Recessed stoppable glass turntable

CookCoach™ system

8 presets

⊕ Sensor cooking

HeatRight™ system

⊕ Cooking rack

⊕ Steam cooking

ReadySet™ system

⊕ Warm Hold

Additional features

⊕ 3-speed, 300 CFM fan

1,000W cooking power

Hidden vent



WMH32519C



White (W)



Black (B)



Biscuit (T)



Stainless
Steel (S)

⊕ Indicates a step-up feature

For more details, see feature glossary on page 232

OVER-THE-RANGE MICROWAVES



WMH53520C



White (W)



Black (B)



Stainless
Steel (S)



White Ice (H)



Black Ice (E)

2.0 cu. ft. Microwave – WMH53520C

CompleteClean system

- + CleanRelease® non-stick interior
- Recessed stoppable glass turntable

CookCoach™ system

- 8 presets
- Sensor cooking

HeatRight™ system

- + Auto Adapt fan
- Cooking rack
- Steam cooking

ReadySet™ system

- Warm Hold

Additional features

- + 4-speed, 400 CFM fan
- + 90° hinge
- 1,000W cooking power
- Hidden vent



WMH73521C



Stainless
Steel (S)

2.1 cu. ft. Microwave – WMH73521C

CompleteClean system

- CleanRelease® non-stick interior
- Recessed stoppable glass turntable

- + SteamClean option

CookCoach™ system

- 8 presets
- Sensor cooking

HeatRight™ system

- + AccuPop™ cycle
- Auto Adapt fan
- Cooking rack
- Steam cooking

ReadySet™ system

- Warm Hold

Additional features

- 4-speed, 400 CFM fan
- + 1,100W cooking power
- + Integrated hidden vent and console
- + Kids Menu

OVER-THE-RANGE MICROWAVES

1.9 cu. ft. Microwave – WMH76719C

CompleteClean system

- CleanRelease® non-stick interior
- Recessed stoppable glass turntable
- SteamClean option

CookCoach™ system

- 8 presets
- Sensor cooking

HeatRight™ system

- AccuPop™ cycle
- Auto Adapt fan

⊕ Cooking and convection racks

- Steam cooking

⊕ True convection cooking (1,600W element)

ReadySet™ system

- Warm Hold

Additional features

- 4-speed, 400 CFM fan
- 1,100W cooking power
- Integrated hidden vent and console
- Kids Menu
- ⊕ Microwave steamer included



WMH76719C



White (W)



Black (B)



Stainless
Steel (S)



White Ice (H)



Black Ice (E)

⊕ Indicates a step-up feature

For more details, see feature glossary on page 232



WMC10007A



White (W)



Black (B)

**0.7 cu. ft. Microwave –
WMC10007A**

CompleteClean system

Removable glass turntable

CookCoach™ system

8 presets

Non-sensor cooking cycles

Non-sensor Reheat and Defrost cycles

HeatRight™ system

Quick Touch Popcorn button

QuickSelect™ system

Add-a-Minute option

Control lock

Electronic touch controls

Additional feature

700W cooking power



WMC30516A



White (W)



Black (B)



Stainless
Steel (S)

**1.6 cu. ft. Microwave –
WMC30516A**

CompleteClean system

⊕ Recessed removable glass turntable

CookCoach™ system

5 presets

Defrost cycle

⊕ Sensor cooking

HeatRight™ system

Quick Touch Popcorn button

QuickSelect™ system

⊕ Add 30 Seconds option

Control lock

Electronic touch controls

Additional features

⊕ 1,200W cooking power

⊕ Optional built-in trim kit

COUNTERTOP MICROWAVES

0.5 cu. ft. Microwave – WMC20005Y

CompleteClean system

Glass turntable

CookCoach™ system

⊕ 8 presets

Defrost cycle

HeatRight™ system

Quick Touch Popcorn button

QuickSelect™ system

Add 30 Seconds option

Control lock

Tap Touch controls

Additional features

750W cooking power

Pocket handle door

⊕ Rounded-back design fits in corners



WMC20005Y



White (W)



Black (B)



Universal
Silver (D)

⊕ Indicates a step-up feature

For more details, see feature glossary on page 232



WMC50522A



White (W)



Black (B)



Stainless
Steel (S)

2.2 cu. ft. Microwave – WMC50522A

CompleteClean system

- ⊕ Recessed glass turntable

CookCoach™ system

5 presets

Defrost cycle

- ⊕ Sensor cooking

HeatRight™ system

Quick Touch Popcorn button

QuickSelect™ system

Add 30 Seconds option

Control lock

- ⊕ Electronic touch controls

Additional features

- ⊕ 1,200W cooking power

- ⊕ Optional built-in trim kit

OVER-THE-RANGE MICROWAVES

Bold type indicates a step-up feature

MODEL	WMH31017A	WMH32519C	WMH53520C	WMH73521C	WMH76719C
Capacity (cu. ft.)	1.7	1.9	2.0	2.1	1.9
Recommended Range	WFC310S0E WFG320M0B	WFE515S0E WFG515S0E	WFE540H0E WFG540H0E	WFE715H0E WFG715H0E	WEE730H0D WEG730H0D
DESIGN FEATURES					
Stainless steel finish handle*	•	•	•	•	•
Timer display color	Blue	Blue	Blue	Blue	Blue
MICROWAVE OVEN FEATURES					
10 variable power levels	•	•	•	•	•
90° hinge	—	—	•	—	—
Add 30 Seconds option	•	•	•	•	•
CleanRelease® non-stick interior	—	—	•	•	•
Control lock	•	•	•	•	•
Cooking rack	—	•	•	•	Cooking and convection racks
Night-light setting	•	•	•	•	•
Power (watts)	1,000	1,000	1,000	1,100	1,100
Sensor cooking	—	•	•	•	•
Staged cooking	•	•	•	•	•
Steam cooking	—	•	•	•	•
SteamClean option	—	—	—	•	•
True convection cooking power (watts)	—	—	—	—	1,600
Turntable	Recessed glass	Recessed stoppable glass	Recessed stoppable glass	Recessed stoppable glass	Recessed stoppable glass
VENTILATION SYSTEM FEATURES					
Auto Adapt fan	—	—	•	•	•
Convertible ventilation system	2-speed, 220 CFM fan	3-speed, 300 CFM fan	4-speed, 400 CFM fan	4-speed, 400 CFM fan	4-speed, 400 CFM fan
Filter change indicator	—	•	•	•	•
Hidden vent	•	•	•	Integrated	Integrated
CYCLES					
AccuPop™ cycle	—	—	—	•	•
Auto Cook, Defrost, Reheat	•	•	•	•	•
Convect	—	—	—	—	•
Kids Menu	—	—	—	•	•
Melt/Soften	•	•	•	•	•
Preset cycles	8	8	8	8	8
Warm Hold	—	•	•	•	•
ACCESSORIES (Part No.)					
Charcoal filter	8206230A	8206230A	8206230A	8206230A	8206230A
Grease filter	W10208631A	W10208631A	W10208631A	W10535950	W10535950
Universal microwave steamer	—	W10697165	W10697165	W10697165	Included
COLORS					
Available colors**	W B D S	W B T S	W B S H E	S	W B S H E

*Available on Universal Silver, Stainless Steel, White Ice and Black Ice models only.

**W = White, B = Black, T = Biscuit, D = Universal Silver, S = Stainless Steel, H = White Ice, E = Black Ice

COUNTERTOP MICROWAVES

Bold type indicates a step-up feature

MODEL	WMC10007A	WMC30516A	WMC20005Y	WMC50522A
Capacity (cu. ft.)	0.7	1.6	0.5	2.2
DESIGN FEATURES				
Door release	Push-button	Push-button	Pocket handle	Push-button
Microwave built-in trim kit	—	Optional	—	Optional
Rounded-back design	—	—	•	—
Timer display color	Green	Blue	Blue	Blue
MICROWAVE OVEN FEATURES				
10 variable power levels	•	•	•	•
Add-a-Minute option	•	—	—	—
Add 30 Seconds option	—	•	•	•
Auto Defrost cycle	•	•	•	•
Control lock	•	•	•	•
Controls	Electronic touch	Electronic touch	Tap Touch	Electronic touch
Manual Cook cycle	—	—	•	—
Manual Reheat cycle	—	—	•	—
Power (watts)	700	1,200	750	1,200
Preset cycles	8	5	8	5
Sensor cooking	—	•	—	•
Staged cooking	—	•	—	—
Time cook	•	•	•	•
Turntable	Glass	Recessed glass	Glass	Recessed glass
PROGRAMMED CYCLES & SENSOR FUNCTIONS				
Baked Potato	Programmed	Programmed	—	Programmed
Beverage	Programmed	Programmed	—	Programmed
Dinner Plate	Programmed	Sensor	—	Sensor
Fresh Vegetables	Programmed	—	—	Sensor
Frozen Entrée	Programmed	Programmed	—	Programmed
Pizza Reheat	Programmed	Programmed	—	Programmed
Popcorn	Programmed	Programmed	Programmed	Programmed
Soups/Sauces	—	Programmed	—	Programmed
ACCESSORIES (Part No.)				
27" Trim Kit				
White	—	MK2167AW	—	MK2227AW
Black	—	MK2167AB	—	MK2227AB
Stainless	—	MK2167AS	—	MK2227AS
30" Trim Kit				
White	—	MK2160AW	—	MK2220AW
Black	—	MK2160AB	—	MK2220AB
Stainless	—	MK2160AS	—	MK2220AS
COLORS				
Available colors*	W B	W B S	W B D	W B S

*W = White, B = Black, D = Universal Silver, S = Stainless Steel



HOODS & VENTS

Seamless design and quiet operation



FIT system

Eliminate measuring, cutting and filler strips for a perfect fit every time.* Your hood will install seamlessly in three easy steps.



CompleteClean system

Clean up kitchen messes quickly. Dishwasher-safe grease filters make cleanup easy and convenient, so you can enjoy all of the benefits of your hood's filter and none of the mess.



Convertible ventilation

Choose between venting vapors and odors outside or filtering them and recirculating the air, depending on your kitchen's ventilation setup.

NOTE: Not all features available on all models.
Models shown: Wall Mount Canopy Hood WW75UC6DS,
Gas Cooktop WCG97US6DS and Single Wall Oven WOS97ES0ES

*Based on typical installation with existing electrical and ventilation connections.
Consult a professional installer to ensure your installation complies with code requirements.

Whirlpool

UNDER CABINET HOODS

30" Hood – UXT2030AD

Features

- 2-speed, 190 CFM fan
- Dishwasher-safe grease filter
- Hidden vent
- Incandescent lighting
- Maximum 4.5 sones
- Vented only



UXT2030AD



White (W)



Black (B)

30" Hood – UXT3030AD

Features

- 2-speed, 190 CFM fan
- Dishwasher-safe grease filter
- Hidden vent
- Incandescent lighting
- Maximum 4.5 sones
- Vented only



UXT3030AD



White (W)



Black (B)

⊕ Indicates a step-up feature

For more details, see feature glossary on page 232

UNDER CABINET HOODS



UXT4030AD / UXT4036AD



White (W)
30-inch
model only



Black (B)
30-inch
model only



Stainless
Steel (S)



30" Hood –
UXT4030AD

36" Hood –
UXT4036AD

Features

- 2-speed, 190 CFM fan
- Hidden vent
- Incandescent lighting
- Maximum 4.5 sones (30")
- Maximum 5.3 sones (36")
- Recirculation only (non-vented/duct-free)



UXT4130AD / UXT4136AD



White (W)



Black (B)



Stainless
Steel (S)



30" Hood –
UXT4130AD

36" Hood –
UXT4136AD

Features

- 2-speed, 190 CFM fan
- Convertible ventilation
- ⊕ Dishwasher-safe grease filter
- Hidden vent
- Incandescent lighting
- Maximum 4.5 sones
- Optional Recirculation kit/Charcoal filter

UNDER CABINET HOODS

30" Hood – UXT4230AD

36" Hood – UXT4236AD

Features

- Convertible ventilation
- Dishwasher-safe grease filter
- Hidden vent
- Incandescent lighting
- Maximum 6.4 sones
- Optional Recirculation kit/Charcoal filter
- ⊕ Variable-speed, 225 CFM fan



UXT4230AD / UXT4236AD



White (W)
30-inch
model only



Black (B)



Stainless
Steel (S)

30" Hood – UXT5230BD

36" Hood – UXT5236BD

Features

- ⊕ 3-speed, 350 CFM fan
- Convertible ventilation
- Dishwasher-safe grease filter
- ⊕ Dual halogen work surface lighting
- Hidden vent
- Maximum 7.0 sones
- Optional Recirculation kit/Charcoal filter



UXT5230BD / UXT5236BD



White (W)
30-inch
model only



Black (B)
30-inch
model only



Stainless
Steel (S)

⊕ Indicates a step-up feature

For more details, see feature glossary on page 232

UNDER CABINET HOODS



UXT5530AA / UXT5536AA



Stainless
Steel (S)

30" Hood – UXT5530AA

36" Hood – UXT5536AA

Features

- ⊕ (2) Dishwasher-safe grease filters (30")
- ⊕ (3) Dishwasher-safe grease filters (36")
- ⊕ 3-speed, 400 CFM centrifugal fan
- Convertible ventilation
- Dual halogen work surface lighting
- Hidden vent
- Maximum 8.0 sones
- Optional Recirculation kit/Charcoal filter



GXU7130DX



Stainless
Steel (S)



30" Hood – GXU7130DX

CompleteClean system

- (2) Dishwasher-safe grease filters

Additional features

- 3-speed, 300 CFM centrifugal fan
- ⊕ Fluorescent lighting
- Hidden vent
- ⊕ Maximum 7.2 sones
- Vented only

WALL MOUNT CANOPY HOODS

30" Hood – GXW7230DA

CompleteClean system

(2) Dishwasher-safe grease filters

Additional features

3-speed, 400 CFM centrifugal fan

Convertible ventilation

Incandescent task lighting

Maximum 7.2 sones

Optional Recirculation kit/Charcoal filter



GXW7230DA



Stainless
Steel (S)

30" Hood – UXW7230BS

Features

(2) Dishwasher-safe grease filters

3-speed, 400 CFM centrifugal fan

Convertible ventilation

Incandescent task lighting

⊕ Maximum 6.9 sones

Optional Recirculation kit/Charcoal filter



UXW7230BS



Stainless
Steel (S)

⊕ Indicates a step-up feature

For more details, see feature glossary on page 232

WALL MOUNT CANOPY HOODS



**30" Hood –
GXW7330DX**

**36" Hood –
GXW7336DX**

CompleteClean system

(2) Dishwasher-safe grease filters

Additional features

3-speed, 300 CFM centrifugal fan

Convertible ventilation

⊕ Fluorescent lighting

⊕ Maximum 6.0 sones

Optional Recirculation kit/Charcoal filter



GXW7330DX / GXW7336DX



Stainless
Steel (S)

**30" Hood –
GXW6530DX**

**36" Hood –
GXW6536DX**

CompleteClean system

Dishwasher-safe grease filter

Additional features

⊕ 3-speed, 400 CFM centrifugal fan

Convertible ventilation

⊕ Incandescent task lighting

Maximum 7.2 sones

Optional Recirculation kit/Charcoal filter



GXW6530DX / GXW6536DX



Stainless
Steel (S)

WALL MOUNT CANOPY HOODS

30" Hood – UXW6530BS

Features

- 3-speed, 400 CFM centrifugal fan
- Convertible ventilation
- Dishwasher-safe grease filter
- Incandescent task lighting
- Maximum 7.2 sones
- Optional Recirculation kit/Charcoal filter



UXW6530BS



Stainless
Steel (S)

30" Hood – WVW75UC0D

36" Hood – WVW75UC6D

CompleteClean system

- Dishwasher-safe grease filter

HeatRight™ system

- ⊕ Noise reduction technology
- ⊕ Perimetric Venting technology
- ⊕ Quiet Partner™ In-Line Smart Blower

Additional features

- 3-speed, 400 CFM centrifugal fan
- Convertible ventilation
- ⊕ Glass edge LED lighting
- ⊕ LED task lighting
- ⊕ Maximum 4.7 sones
- Optional Recirculation kit/Charcoal filter



WVW75UC0D / WVW75UC6D



Stainless
Steel (S)

⊕ Indicates a step-up feature

For more details, see feature glossary on page 232

ISLAND MOUNT CANOPY HOOD



WVI75U6D



Stainless
Steel (S)

36" Hood – WVI75UC6D

CompleteClean system

Dishwasher-safe grease filter

HeatRight™ system

Noise reduction technology

Perimetric Venting technology

Quiet Partner™ In-Line Smart Blower

Additional features

3-speed, 400 CFM centrifugal fan

Convertible ventilation

Glass edge LED lighting

LED task lighting

Maximum 4.7 sones

Optional Recirculation kit/Charcoal filter

DOWNDRAFT HOODS

**30" Hood –
UXD8630DY**

**36" Hood –
UXD8636DY**

Features

- 4-speed, 600 CFM dual centrifugal fan
- (2) Dishwasher-safe grease filters
- Maximum 7.9 sones
- Vented only



UXD8630DY / UXD8636DY



Stainless
Steel (S)



UXL5430BS



Stainless Steel (S)

30" Hood Liner – UXL5430BS

Features

- (2) Dishwasher-safe grease filters
- 3-speed push-button controls
- 400 CFM fan
- Convertible ventilation
- Halogen lights
- Optional Recirculation kit/Charcoal filter



UXL6036YS



Stainless Steel (S)

36" Hood Liner – UXL6036YS

Features

- ⊕ (3) Dishwasher-safe grease filters
- ⊕ 3-speed slider controls
- ⊕ Adjustable halogen lights
- ⊕ Auto-On Heat sensor
- Blower sold separately
- Vented only



UXL6048YS



Stainless Steel (S)

48" Hood Liner – UXL6048YS

Features

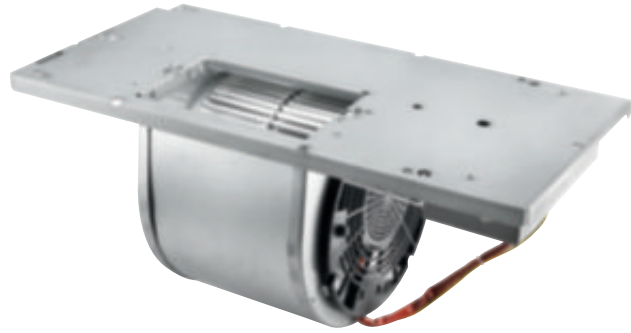
- ⊕ (4) Dishwasher-safe grease filters
- 3-speed slider controls
- Adjustable halogen lights
- Auto-On Heat sensor
- Blower sold separately
- Vented only

INTERNAL BLOWERS

Internal Blower – UXB0600DYS

Features

- 3-speed, 600 CFM internal blower
- Installed in hood unit



UXB0600DYS

Internal Blower – UXB1200DYS

Features

- ⊕ 3-speed, 1,200 CFM internal blower
- Installed in hood unit



UXB1200DYS

⊕ indicates a step-up feature

For more details, see feature glossary on page 232



UX11200DYS

**In-Line Blower –
UX11200DYS**

Features

- 3-speed, 1,200 CFM internal blower
- For use with custom hood liner

UNDER CABINET HOODS

Bold type indicates a step-up feature

MODEL	30-Inch UXT2030AD	30-Inch UXT3030AD	30-Inch UXT4030AD 36-Inch UXT4036AD	30-Inch UXT4130AD 36-Inch UXT4136AD	30-Inch UXT4230AD 36-Inch UXT4236AD	30-Inch UXT5230BD 36-Inch UXT5236BD	30-Inch UXT5530AA 36-Inch UXT5536AA	30-Inch GXU7130DX
FIT system	•	•	•	•	•	•	•	•
HOOD FEATURES								
2-speed rocker switch controls	•	•	•	•	—	—	—	—
3-speed push button controls	—	—	—	—	—	•	•	•
40-watt halogen lighting (bulbs included)	—	—	—	—	—	High/Low/Off	High/Low/Off	—
75-watt fluorescent lighting	—	—	—	—	—	—	—	On/Off
75-watt incandescent lighting	On/Off	On/Off	On/Off	On/Off	High/Low/Off	—	—	—
Axial fan	•	•	•	•	•	•	—	—
California Title 24 compliant	•	•	•	•	•	•	•	—
Centrifugal fan	—	—	—	—	—	—	•	•
Dishwasher-safe grease filter(s)	1	1	—	1	1	1	2 (30") or 3 (36")	2
ENERGY STAR® certified	—	—	—	—	—	—	—	•
Maximum exhaust (CFM)*	190	190	190	190	225	350	400	300
Sones (up to)*	4.5	4.5	4.5/5.3	4.5	6.4	7.0	8.0	7.2
Variable speed, rotary control	—	—	—	—	•	—	—	—
VENTING & DUCT TYPE								
3¼" x 10" rectangular duct (included)	—	•	—	•	•	•	•	•
7" round damper	W10355451	—	—	W10355451	W10355451	W10355451	—	—
7" round duct (included)	•	—	—	Optional	Optional	Optional	Optional	—
Hidden vent	•	•	•	•	•	•	•	•
Exterior and interior venting	—	—	—	Horizontal and vertical	Horizontal and vertical	Horizontal and vertical	Horizontal and vertical	—
Exterior venting	Vertical	Horizontal and vertical	—	—	—	—	—	Horizontal and vertical
Interior venting	—	—	Horizontal and vertical	—	—	—	—	—
Recirculation kit/charcoal filter	—	—	Included	Optional	Optional	Optional	Optional	—
Vent type	Top venting only	Top and rear venting	Recirculating only	Convertible	Convertible	Convertible	Convertible	Top and rear venting
ACCESSORIES (Part No.)								
7" transition plate	Included	—	—	W10388168	W10388168	W10388168	—	—
Charcoal filter for recirculating	—	—	W10355450	W10355450	W10355450	W10386873	W10272068	—
Grease filter for venting	W10386350	W10386350	—	W10386350	W10395127	W10419114	W10169961A	W10169961A
Power cord	W10613691	W10613691	W10613691	W10613691	W10613691	W10613691	Included	—
COLORS								
Available colors**	W B	W B	W† B† S	W B S	W†† B S	W† B† S	S	S

*At highest speed. Sone levels of 4.5 are based on vertical 7" round duct installation.
 **W = White, B = Black, S = Stainless Steel. †UXT4030AD only. ††UXT4230AD only. ‡UXT5230BD only.

CANOPY HOODS

Bold type indicates a step-up feature

MODEL	30-Inch GXW7230DA	30-Inch UXW7230BS	30-Inch GXW7330DX 36-Inch GXW7336DX	30-Inch GXW6530DX 36-Inch GXW6536DX	30-Inch UXW6530BS	30-Inch WWW75UC0D 36-Inch WWW75UC6D	36-Inch WVI75UC6D
Island canopy	—	—	—	—	—	—	Glass
Wall-mounted canopy	•	•	•	Glass	Glass	Glass	—
HOOD FEATURES							
3-speed push button controls	•	•	•	•	•	•	•
Centrifugal fan	•	•	•	•	•	•	•
Damper	•	•	•	•	•	•	•
Dishwasher-safe grease filter(s)	2	2	2	1	1	1	1
ENERGY STAR® certified	—	—	•	—	—	—	—
Fluorescent lighting (bulbs included)	—	—	On/Off	—	—	—	—
Glass edge LED lighting	—	—	—	—	—	•	•
Incandescent task lighting	On/Off	On/Off	—	On/Off	On/Off	—	—
LED task lighting	—	—	—	—	—	•	•
Maximum exhaust (CFM)*	400	400	300	400	400	400	400
Noise reduction technology	—	—	—	—	—	•	•
Perimetric Venting technology	—	—	—	—	—	•	•
Quiet Partner™ In-Line Smart Blower	—	—	—	—	—	•	•
Sones/dBA* (up to)	7.2/69	6.9/—	6.0/67	7.2/69	7.2/—	4.7/62**	4.7/62**
Working speed/dBA* (up to)	0.8/45	—	1.2/49	0.8/45	—	0.5/31	0.5/31
VENTING & DUCT TYPE							
6" round duct	•	•	•	•	•	•	•
Exterior and interior vertical venting	•	•	•	•	•	•	•
Recirculation kit/ charcoal filter	Optional	Optional	Optional	Optional	Optional	Optional	Optional
Vent type	Convertible	Convertible	Convertible	Convertible	Convertible	Convertible	Convertible
ACCESSORIES (Part No.)							
Charcoal filter for recirculating	—	—	—	W10294730	—	—	—
Chimney extension kit	—	—	—	W10294735	—	—	—
Recirculation kit	—	—	—	10294733	—	—	—
COLORS							
Available color ¹	S	S	S	S	S	S	S

*Refer to Use & Care Guide for more information. **4.7 Sones max when blower is installed in the hood. Sound is further reduced when blower is installed in the attic with Quiet Partner™ In-Line Smart Blower accessory. ¹S = Stainless Steel

DOWNDRAFT HOODS

MODEL	30-Inch UXD8630DY	36-Inch UXD8636DY
Style	Pop-up	Pop-up
HOOD FEATURES		
4-speed slider control	•	•
Damper	•	•
Damper/vent connector (included)	3¼" x 10" rectangular	3¼" x 10" rectangular
Dishwasher-safe grease filters	2	2
Dual centrifugal fan	•	•
Maximum exhaust (CFM)*	600	600
Sones (up to)*	7.9	7.9
VENTING & DUCT TYPE		
3¼" x 10" rectangular duct (included)	•	•
6" round duct (included)	•	•
Exterior venting	Horizontal and vertical	Horizontal and vertical
Vented only	•	•
COLORS		
Available color**	S	S

*Refer to Use & Care Guide for more information. **S = Stainless Steel

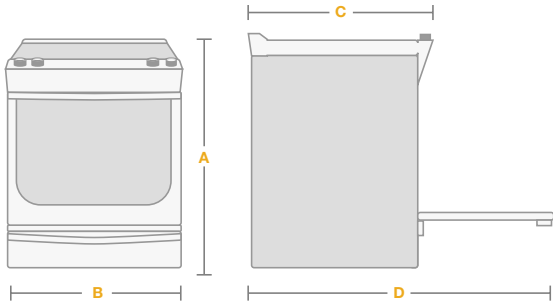
HOOD LINERS

Bold type indicates a step-up feature

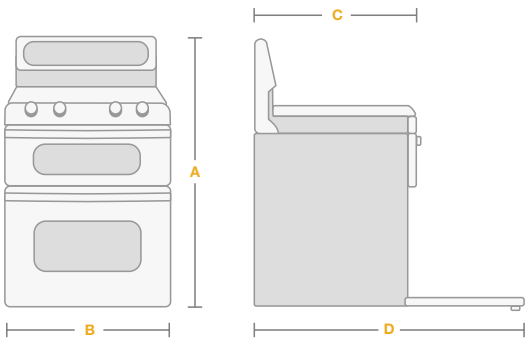
MODEL	30-Inch UXL5430BS	36-Inch UXL6036YS	48-Inch UXL6048YS
Style	Custom	Under Cabinet	Under Cabinet
LINER FEATURES			
3-speed push-button controls	•	—	—
3-speed slider controls	—	•	•
50-watt halogen lighting	On/Off (2 bulbs included)	High/Low/Off (4 bulbs included)	High/Low/Off (4 bulbs included)
Auto-On Heat sensor	—	•	•
Dishwasher-safe grease filters	2	3	4
VENTING & DUCT TYPE			
6" round duct	•	—	—
10" round duct	—	•	•
Vent type	Convertible	—	—
Vented only	—	•	•
Vertical venting	•	•	•
ACCESSORIES (Part No.)			
Blower motor systems	Included 400 CFM	Internal 600 CFM – UXB0600DYS Internal 1200 CFM – UXB1200DYS In-Line 1200 CFM – UXI1200DYS	Internal 600 CFM – UXB0600DYS Internal 1200 CFM – UXB1200DYS In-Line 1200 CFM – UXI1200DYS
Face panel (36" x 18")	W10490310	—	—
Face panel rear extension (30" x 18")	W10490327	—	—
Recirculation/Charcoal filter kit	W10490330	—	—
COLORS			
Available color*	S	S	S

*S = Stainless Steel

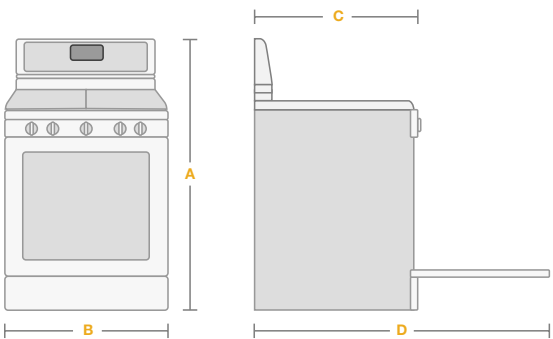
COOKING DIMENSIONS



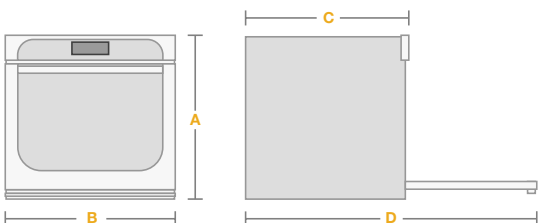
FRONT CONTROL RANGE MODEL	MAX HEIGHT (A)	WIDTH (B)	DEPTH (C)	DEPTH WITH DOOR OPEN (D)
WEE745H0F	36"	29 ⁷ / ₈ "	28 ⁷ / ₈ "	47 ¹³ / ₁₆ "
WEG745H0F	36"	29 ⁷ / ₈ "	28 ⁷ / ₈ "	47 ¹⁵ / ₁₆ "



FREESTANDING DOUBLE OVEN RANGE MODEL	MAX HEIGHT (A)	WIDTH (B)	DEPTH (C)	DEPTH WITH DOOR OPEN (D)
WGE555S0B	47 ¹ / ₈ "	29 ¹⁵ / ₁₆ "	28 ¹ / ₂ "	46"
WGE745C0F	47 ¹ / ₈ "	29 ¹⁵ / ₁₆ "	28 ¹ / ₂ "	46"
WGI925C0B	47 ¹ / ₈ "	29 ¹⁵ / ₁₆ "	28 ¹ / ₂ "	46"
WGG555S0B	47 ¹ / ₈ "	29 ¹⁵ / ₁₆ "	28 ¹ / ₂ "	46"
WGG745S0F	47 ¹ / ₈ "	29 ¹⁵ / ₁₆ "	28 ¹ / ₂ "	46"



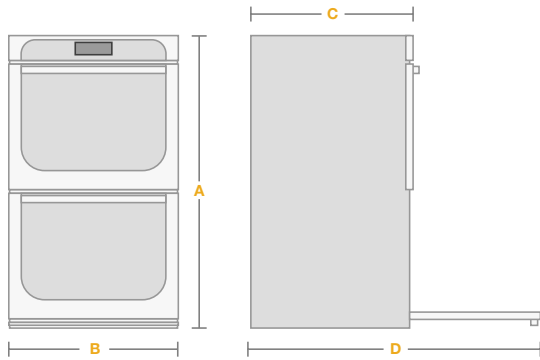
FREESTANDING RANGE MODEL	MAX HEIGHT (A)	WIDTH (B)	DEPTH (C)	DEPTH WITH DOOR OPEN (D)
WFC150M0E	46 ⁷ / ₈ "	29 ⁷ / ₈ "	27 ³ / ₄ "	46 ³ / ₄ "
WFC310S0E	46 ⁷ / ₈ "	29 ⁷ / ₈ "	27 ³ / ₄ "	46 ³ / ₄ "
WFC340S0E	46 ⁷ / ₈ "	29 ⁷ / ₈ "	27 ³ / ₄ "	46 ³ / ₄ "
WFE320M0E	46 ⁷ / ₈ "	29 ⁷ / ₈ "	27 ³ / ₄ "	46 ³ / ₄ "
WFE515S0E	46 ⁷ / ₈ "	29 ⁷ / ₈ "	27 ³ / ₄ "	46 ³ / ₄ "
WFE530C0E	46 ⁷ / ₈ "	29 ⁷ / ₈ "	27 ³ / ₄ "	46 ³ / ₄ "
WFE540H0E	46 ⁷ / ₈ "	29 ⁷ / ₈ "	27 ³ / ₄ "	47 ¹³ / ₁₆ "
WFE715H0E	46 ⁷ / ₈ "	29 ⁷ / ₈ "	27 ³ / ₄ "	47 ¹³ / ₁₆ "
WFE745H0F	47 ⁷ / ₈ "	29 ⁷ / ₈ "	27 ³ / ₄ "	47 ¹³ / ₁₆ "
WFG320M0B	46 ¹ / ₄ "	30"	27 ¹ / ₄ "	45 ¹ / ₄ "
WFG505M0B	46 ¹ / ₄ "	30"	27 ¹ / ₄ "	45 ¹ / ₄ "
WFG515S0E	46 ⁷ / ₈ "	29 ⁷ / ₈ "	27 ⁷ / ₈ "	46 ³ / ₈ "
WFG530S0E	46 ⁷ / ₈ "	29 ⁷ / ₈ "	27 ⁷ / ₈ "	46 ³ / ₈ "
WFG540H0E	46 ⁷ / ₈ "	29 ⁷ / ₈ "	27 ³ / ₄ "	47 ¹⁵ / ₁₆ "
WFG715H0E	46 ⁷ / ₈ "	29 ⁷ / ₈ "	27 ³ / ₄ "	47 ¹⁵ / ₁₆ "
WFG745H0F	47 ⁷ / ₈ "	29 ⁷ / ₈ "	27 ⁷ / ₈ "	47 ¹⁵ / ₁₆ "



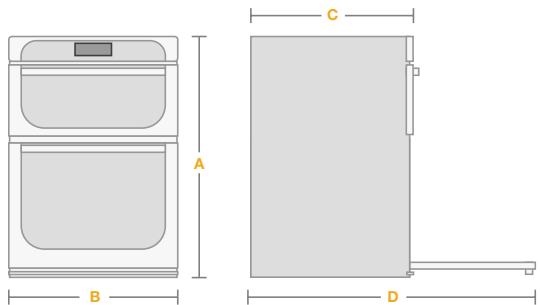
SINGLE WALL OVEN MODEL	MAX HEIGHT (A)	WIDTH (B)	DEPTH (C)	DEPTH WITH DOOR OPEN (D)
WOS11EM4E	29"	23 ³ / ₄ "	25 ³ / ₄ "	42 ³ / ₄ "
WOS51ES4E	29"	23 ³ / ₄ "	25 ³ / ₄ "	42 ³ / ₄ "
WOS51EC7A	28 ³ / ₄ "	27"	26 ⁷ / ₁₆ "	46 ³ / ₄ "
WOS51EC0A	28 ³ / ₄ "	30"	26 ⁷ / ₁₆ "	46 ³ / ₄ "
WOS92EC7A	28 ³ / ₄ "	27"	26 ⁷ / ₁₆ "	46 ³ / ₄ "
WOS92EC0A	28 ³ / ₄ "	30"	26 ⁷ / ₁₆ "	46 ³ / ₄ "
WOS97ES0E	28 ³ / ₄ "	30"	26 ⁷ / ₈ "	46 ³ / ₄ "

Dimensions are shown for planning purposes only.
For complete information, see Installation Instructions packed with product.

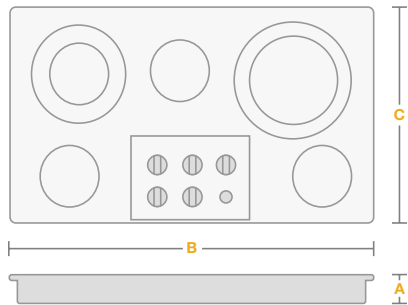
COOKING DIMENSIONS



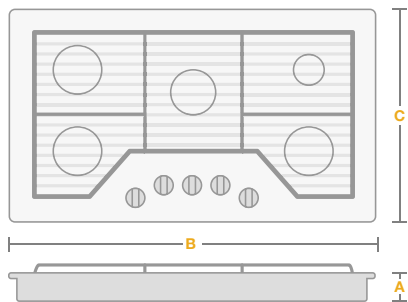
DOUBLE WALL OVEN MODEL	MAX HEIGHT (A)	WIDTH (B)	DEPTH (C)	DEPTH WITH DOOR OPEN (D)
WOD51ES4E	51"	23 ³ / ₄ "	25 ³ / ₄ "	46 ³ / ₄ "
WOD51EC7A	51 ¹ / ₁₆ "	27"	26 ⁷ / ₁₆ "	46 ³ / ₄ "
WOD51EC0A	51 ¹ / ₁₆ "	30"	26 ⁷ / ₁₆ "	46 ³ / ₄ "
WOD93EC7A	51 ¹ / ₁₆ "	27"	26 ⁷ / ₁₆ "	46 ³ / ₄ "
WOD93EC0A	51 ¹ / ₁₆ "	30"	26 ⁷ / ₁₆ "	46 ³ / ₄ "
WOD97ES0E	51 ¹ / ₁₆ "	30"	26 ⁷ / ₁₆ "	46 ³ / ₄ "



COMBINATION WALL OVEN MODEL	MAX HEIGHT (A)	WIDTH (B)	DEPTH (C)	DEPTH WITH DOOR OPEN (D)
WOC54EC7A	42 ³ / ₁₆ "	27"	26 ⁷ / ₁₆ "	46 ³ / ₄ "
WOC54EC0A	42 ³ / ₁₆ "	30"	26 ⁷ / ₁₆ "	46 ³ / ₄ "
WOC95EC0A	42 ³ / ₁₆ "	30"	26 ⁷ / ₁₆ "	46 ³ / ₄ "
WOC97ES0E	42 ³ / ₁₆ "	30"	26 ⁷ / ₁₆ "	46 ³ / ₄ "

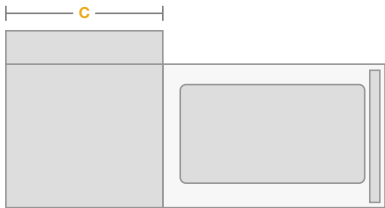
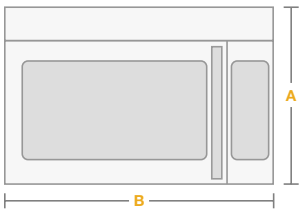


ELECTRIC COOKTOP MODEL	MAX HEIGHT (A)	WIDTH (B)	DEPTH (C)
RCS2012R	2 ⁷ / ₈ "	21"	16 ¹ / ₂ "
WCC31430A	3 ¹ / ₄ "	30"	21"
W5CE3024X	3 ³ / ₄ "	30 ¹³ / ₁₆ "	21 ³ / ₄ "
G7CE3034X	3 ³ / ₄ "	30 ¹³ / ₁₆ "	21 ³ / ₄ "
G9CE3065X	3 ³ / ₄ "	30 ¹³ / ₁₆ "	21 ³ / ₄ "
GCI3061X	2 ³ / ₈ "	30 ³ / ₈ "	21 ⁵ / ₁₆ "
W5CE3625A	3 ³ / ₄ "	36 ³ / ₁₆ "	21 ³ / ₄ "
G7CE3635X	3 ³ / ₄ "	36 ⁵ / ₁₆ "	21 ³ / ₄ "



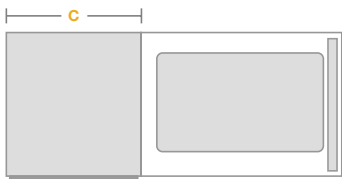
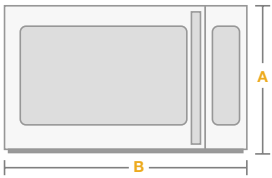
GAS COOKTOP MODEL	MAX HEIGHT (A)	WIDTH (B)	DEPTH (C)
W3CG3014X	3 ³ / ₈ "	31 ⁷ / ₁₆ "	21 ¹ / ₄ "
WCG51US0D	4 ¹ / ₈ "	30"	21"
WCG51US6D	4 ¹ / ₈ "	36"	21"
WCG75US0D	4 ¹ / ₈ "	30"	21"
WCG97US0D	4 ¹ / ₈ "	30"	21"
WCG97US6D	4 ¹ / ₈ "	36"	21"

COOKING DIMENSIONS



OVER-THE-RANGE MICROWAVE

MODEL	MAX HEIGHT (A)	WIDTH (B)	DEPTH (C)
WMH31017A	17 1/4"	29 7/8"	16 1/8"
WMH32519C	17 1/4"	29 7/8"	15 3/4"
WMH53520C	17 1/8"	29 7/8"	16 3/4"
WMH73521C	17 1/8"	29 7/8"	16 3/4"
WMH76719C	17 1/8"	29 7/8"	16 3/4"



COUNTERTOP MICROWAVE

MODEL	MAX HEIGHT (A)	WIDTH (B)	DEPTH (C)
WMC10007A	10 1/2"	18"	12 1/2"
WMC30516A	13"	21 3/4"	17 1/4"
WMC20005Y	14 1/8"	15 3/8"	13 3/4"
WMC50522A	12 9/16"	24"	19 5/8"

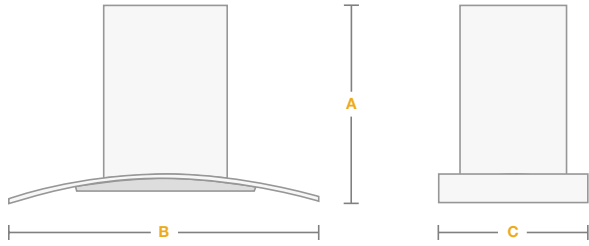


UNDER CABINET HOOD MODEL

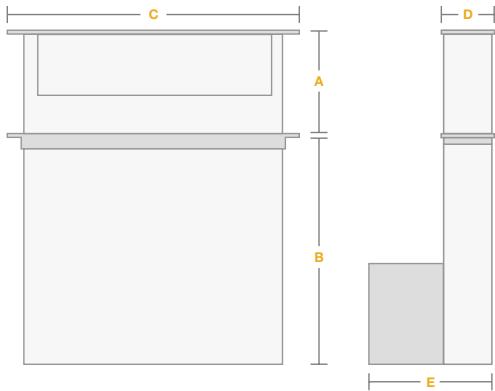
MODEL	MAX HEIGHT (A)	WIDTH (B)	DEPTH (C)
UXT2030AD	4 15/16"	29 15/16"	18 5/8"
UXT3030AD	4 15/16"	29 15/16"	18 5/8"
UXT4030AD	4 15/16"	29 15/16"	18 5/8"
UXT4036AD	4 15/16"	35 15/16"	18 5/8"
UXT4130AD	4 15/16"	29 15/16"	18 5/8"
UXT4136AD	4 15/16"	35 15/16"	18 5/8"
UXT4230AD	4 15/16"	29 15/16"	18 5/8"
UXT4236AD	4 15/16"	35 15/16"	18 5/8"
UXT5230BD	4 15/16"	29 15/16"	18 5/8"
UXT5236BD	4 15/16"	35 15/16"	18 5/8"
UXT5530AA	9"	29 7/8"	19 3/4"
UXT5536AA	9"	35 7/8"	19 3/4"
GXU7130DX	4 3/4"	29 15/16"	20"

Dimensions are shown for planning purposes only.
For complete information, see Installation Instructions packed with product.

COOKING DIMENSIONS

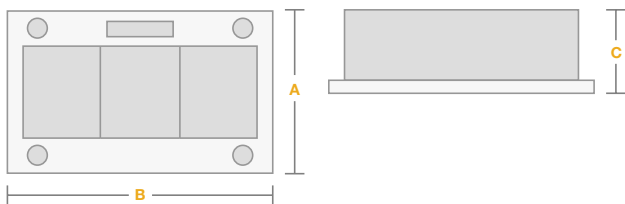


CANOPY HOOD MODEL	MAX HEIGHT (A)	WIDTH (B)	CHIMNEY DEPTH (C)
GXW7230DA	27 ⁷ / ₈ "	30"	20"
UXW7230BS	27 ⁷ / ₈ "	30"	20"
GXW7330DX	28 ⁷ / ₈ "	30"	20"
GXW7336DX	28 ⁷ / ₈ "	36"	20"
GXW6530DX	27 ¹ / ₈ "	30"	20"
GXW6536DX	27 ¹ / ₈ "	36"	20"
UXW6530BS	27 ¹ / ₈ "	30"	20"
WWW75UC0D	28 ⁷ / ₈ "	30"	20"
WWW75UC6D	28 ⁷ / ₈ "	36"	20"
WV75UC6D	33 ¹ / ₄ "	36"	25 ³ / ₈ "

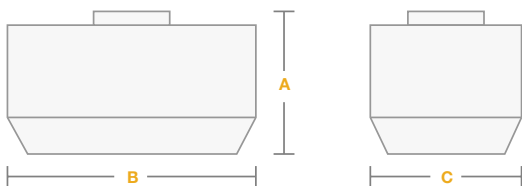


DOWNDRAFT HOOD MODEL	MAX HEIGHT ABOVE COUNTERTOP (A)	MAX HEIGHT BELOW COUNTERTOP (B)	WIDTH (C)
UXD8630DY	13 ¹ / ₂ "	28 ¹ / ₂ "	30"
UXD8636DY	13 ¹ / ₂ "	28 ¹ / ₂ "	36"

DOWNDRAFT HOOD MODEL	CHIMNEY DEPTH ABOVE COUNTERTOP (D)	CHIMNEY DEPTH BELOW COUNTERTOP (E)
UXD8630DY	2 ¹ / ₈ "	12 ¹ / ₈ "
UXD8636DY	2 ¹ / ₈ "	12 ¹ / ₈ "



HOOD LINER MODEL	DEPTH (A)	WIDTH (B)	MAX HEIGHT (C)
UXL5430BS	11 ⁷ / ₈ "	30 ⁷ / ₈ "	13 ⁵ / ₈ "
UXL6036YS	22"	35 ⁷ / ₈ "	11 ¹ / ₂ "
UXL6048YS	22"	47 ⁷ / ₈ "	11 ¹ / ₂ "



IN-LINE BLOWER MODEL	MAX HEIGHT (A)	WIDTH (B)	DEPTH (C)
UXI1200DYS	12 ¹⁵ / ₁₆ "	26 ¹ / ₈ "	14 ¹¹ / ₁₆ "

Cleaning & Maintenance

affresh® Cooktop Cleaner

Cuts through tough, baked-on residue. Safe for all glass and ceramic cooktops. – **W10355051**

affresh® Kitchen & Appliance Cleaner

Cuts through everyday spills to leave a streak-free shine. Easily cleans inside refrigerator and microwave ovens. Now with a fresh, citrus scent. – **W10355010**

affresh® Stainless Steel Cleaner

Gently cleans fingerprints, smudges and other residue from stainless steel surfaces to leave a streak-free, polished shine. – **W10355016**



➤ **affresh® Stainless Steel Wipes**

Gently clean fingerprints, smudges and residue to leave a streak-free, polished shine. Contains 35 use-and-toss wipes. Size 7" (H) x 9" (W). – **W10355049**

Oven Cleaning Kit

Offers everything you need to clean both gas and electric ovens featuring AquaLift® self-cleaning technology. Includes (1) scraper, (1) scrubbing sponge and (1) expanding sponge. Retail polybag – **W10423113RP**
Retail box – **W10510627RB**
Factory Certified Parts polybag – **W10432017BU**



➤ **Replacement Scrubbing Pads**

Use with affresh® Cooktop cleaner to remove light soils or water spots from glass and ceramic cooktops. – **W10391473**

Touch-Up Paint

Touch up appliance exteriors with this 0.6 fl. oz. bottle of touch-up paint. Includes applicator brush.
White – **72017**
Black – **72032**
Biscuit – **4392899**
Universal Silver – **8212473**

Cookware

➤ **Baking Stone**

This 13" baking stone evenly distributes heat and moisture for lighter, crispier food. Suitable for use in regular convection and microwave ovens. – **4378577**



Griddle

An easy-to-clean, non-stick griddle for electric coil, gas and ceramic glass ranges. Place over two elements or burners for great grilled sandwiches or other dishes. – **4396096RB**

➤ **Microwave Crisper Pan**

Prepare crisp bacon, potatoes or pizza in the microwave with this pan. 12¼" (Diameter) and 1½" (Deep). – **W10187336A**



Universal Microwave Steamer

Works in tandem with the steaming function to conveniently steam foods such as rice, vegetables and fish with fresh, pleasing results. 13¾" (H) x 8½" (W) x 5¼" (D). – **W10697165**

COOKING ACCESSORIES



Freestanding Range Accessories

Double Oven Rack

Replace a standard cooking rack in Whirlpool® double oven ranges with this roll-out rack. Its easy-gliding design makes it simple to retrieve dishes from a hot oven. Offers enough strength to support two 16-lb turkeys. – **W10273852A**

Front Control Range Trim Kit

Cover the sides of the range for a more finished look.
White – **W10675027**
Black – **W10675026**
Stainless Steel – **W10675028**

Wall Oven Accessories

FIT System Kit

27" Combination Wall Ovens – **W10495945**
30" Combination Wall Ovens – **W10495947**

Heavy Duty Sliding Rack with Handle

27" Wall Ovens – **W10282972A**

Side Trim Cover Kit

Single Wall Ovens – **W10536160**
Double Wall Ovens – **W10536161**
Combination Wall Ovens – **W10536162**



Smooth Glide Roll-Out Rack

27" Wall Ovens – **W10282974A**
30" Wall Ovens – **W10282973A**

Vent Trim Kit

27" Single and Double Wall Ovens
Stainless Steel – **W10752686**

30" Single and Double Wall Ovens
White – **W10752680**
Black – **W10752681**
Stainless Steel – **W10752683**

27" Combination Wall Ovens
White – **W10752694**
Black – **W10752695**
Stainless Steel – **W10752696**

30" Combination Wall Ovens
White – **W10752687**
Black – **W10752688**
Stainless Steel – **W10752693**

Microwave Accessories

Countertop Microwave to Built-In Trims Kits (27"/30")

For model WMC30516A
White – **MK2167AW/MK2160AW**
Black – **MK2167AB/MK2160AB**
Stainless Steel – **MK2167AS/MK2160AS**

For model WMC50522A
White – **MK2227AW/MK2220AW**
Black – **MK2227AB/MK2220AB**
Stainless Steel – **MK2227AS/MK2220AS**

Hood & Vent Accessories

5', 125V 3-Wire Power Cord

For models UXT2030AD, UXT3030AD, UXT4030/36AD, UXT4130/36AD, UXT4230/36AD and UXT5230/36AD – **W10613691**

7" Round Damper

For models UXT4030/36AD, UXT4130/36AD, UXT4230/36AD and UXT5230/36AD – **W10355451**

Chimney Extension Kit

GXW6530/36DX – **W10294735**

Recirculation Kit

UXT4230/36AD – **4378581**
UXT5230/36AD – **49001180 (Black) or 49001196 (Stainless)**
GXW6530/36DX – **10294733**

Charcoal & Grease Filters

Hood & Vent Charcoal Filters

For models UXT4030/36AD, UXT4130/36AD and UXT4230/36AD – **W10355450**
For models UXT5530/36AA – **W10272068**
For models GXW6530/36DX – **W10294730**
For model UXT5230/36AD – **W10386873**

Over-the-Range Microwave Charcoal Filter

5" L x 5-3/8" W x 3/8" D – **8206230A**

Over-the-Range Microwave Grease Filters

Measure current filter to ensure correct replacement.
13½" L x 6" W x 1/8" D – **W10208631A**
12¼" L x 6" W x 1/8" D – **W10535950**

COOKING GLOSSARY



CompleteClean system

The features of the CompleteClean system make kitchen cleanup quick and less of a hassle.

Adjustable time self-cleaning

Allows for adjustment of the self-clean time in 15-minute intervals, according to your needs.

AquaLift® self-cleaning technology

Delivers easy, odor-free oven cleaning in only 50 minutes.* A special coating and water releases baked on foods from the bottom of the oven without cleaners. When the cleaning cycle is complete, soils and excess water can be easily removed with a dry towel.

Chrome drip bowls

Keep cooking cleanup to a minimum and keep spills from getting under the cooking surface.

CleanRelease® non-stick interior

No special cleaning solutions are required thanks to an industry-first non-stick interior. A simple wipe is all you need to clean up spills.

Easy-wipe ceramic glass cooktop

Withstands intense heat while resisting cracking or chipping, preserving the sleek look of your cooktop for years to come and making it easy to clean.

EZ-2-Lift™ hinged grates

Get quick access to spills with our industry-exclusive EZ-2-Lift™ hinged cast-iron grates. They're also removable for easy cleanup with a dishwasher-safe finish that resists wear and tear.

Hidden bake element

Simplifies cleanup with the bake element hidden beneath the oven floor, leaving a smooth interior surface that is easy to wipe clean.

Precise Clean™ self-cleaning

Tracks how long it has been since the last self-cleaning cycle and suggests just the right cycle time, so the self-cleaning cycle only lasts as long as necessary. No harsh chemicals or cleaners are required.

Sealed burners

No gap between the cooktop and these burners makes for a smooth surface that's easy to clean.

Self-cleaning

Automatically cleans the oven according to a preprogrammed cycle. Run this cycle to clean without harsh chemicals or special cleaners.

SteamClean option

Clean up everyday light spills using heat and only 1¼ cups of water—no harsh chemicals or cleaners needed.

Upswept SpillGuard™ cooktop

Raised edges help contain messes to make cleanup faster.



CookCoach™ system

You can count on the features of the CookCoach™ system to help you with each step along the way, giving you the confidence to handle both new recipes and tried and true favorites.

Digital meat thermometer

Automatically monitors the internal temperature of food, then alerts you and shuts off the oven when food is fully cooked, so you never have to guess at the doneness of your meal.

Sensor cooking

Tracks the progress of your food in the microwave and automatically adjusts the cooking time as needed to deliver optimal results.



HeatRight™ system

The features of the HeatRight™ system use the ideal settings to cook every dish properly.

AccuPop™ cycle

Uses a sound sensor to automatically adjust cooking time and help make the perfect popcorn, no matter what size bag you're popping.

AccuSimmer® burner/element

Delivers precise temperature control that is perfect for simmering.

Auto Adapt fan

Automatically adjusts fan speed on microwave hood combinations by sensing cooktop heat.

Bread proofing function

Low heat helps dough rise right in the oven.

Convection Conversion

Removes the guesswork from using convection by automatically converting standard times and temperatures to the convection equivalent.

Fan convection cooking

Uses a fan in the back of the oven to distribute hot air more efficiently. This helps eliminate cold spots so you can bake on any rack.

Induction technology

Faster and more efficient induction technology transfers energy directly into any magnetic base cookware.

Max Capacity recessed rack

Designed to use more space in the oven, so you can make room for large items.

*Based on average cleaning time of self-clean cycle with water and moderate soils. **Compared to traditional thermal-bake cycle on the same model.

COOKING GLOSSARY

Melt element

With both the power for everyday tasks and the low heat that's needed for melting and simmering, you'll have the flexibility you need with the Melt element.

Microwave Convection and Crisp technology

Conveniently cook favorite recipes even faster** and get home-cooked results right in the microwave. The microwave on this combination wall oven is like having a double oven, thanks to its three heat sources—a 1,600W grill element, a 1,600W convection element and a 900W microwave.

Noise reduction technology

Industry-exclusive noise reduction technology delivers a quiet cooking experience with the same powerful blower, so there's less clamor in the kitchen.

Perimetric Venting technology

Concentrates hood suction to targeted zones on the cooktop to quickly remove smoke and odors and provide a premium aesthetic.

Quiet Partner™ In-Line Smart Blower

Has the flexibility to be installed as an exhaust motor in the ventilation hood or as an in-line blower in the attic of your home for added noise reduction.

Temperature sensor

A built-in sensor monitors oven temperature and controls the cooking elements to deliver consistent, delicious results every time.

True convection cooking

Uses a fan plus a third heating element in the oven or microwave to distribute hot air more efficiently and cook faster.** Select microwaves use a rear fan to also cut roasting time compared to traditional thermal-bake ovens.



HelpingHand™ system

Inspired by your personal routine, the features of the HelpingHand™ system help you manage the daily chaos of your kitchen.

Edge-to-edge cooking grates

Extend across the entire cooktop to maximize cooking space.

Sabbath mode

Overrides the oven's automatic shut-off function, keeping it active for hours of uninterrupted cooking, making it possible to use the oven on the Sabbath without turning it on.



QuickSelect™ system

The QuickSelect™ system helps you get started and make changes fast with easy-to-operate controls and features.

Control lock

Disables the control panel to avoid unintended use or other changes to your cooking settings.

Dual and Triple elements

Provide the space-saving advantage of having two or three elements in one to handle various sizes of cookware.

Electronic controls

Turn the wall oven on and make changes with the gentle press of a finger.

FlexHeat™ burner

At 17,000 BTU or 18,000 BTU, this burner generates the high heat needed for rapid boiling and searing and provides uniform cooking at lower temperatures for your most delicate dishes, making this our most flexible burner ever.

FlexHeat™ element

Like having two or three elements in one with a 6" inner ring great for smaller pots and pans and expandable outer rings that make room to heat larger cookware.

Hot surface indicator light

Illuminates when the cooktop surface is still hot to the touch—even after the heating element has been turned off.

Infinite heat controls

Allow for smooth movement of temperature settings, from low to high. Adjust the heat up or down according to your cooking needs.

Tap Touch controls

These wall oven and cooktop controls are as simple to use as they are to clean.



QuickShift™ system

The QuickShift™ system helps you make the room you need with flexible features that adjust to make everything fit in a snap.

Adjustable split rack

Remove the rack insert to make room for large items like a turkey or attach it to make a full rack. The insert can also be used on the counter as a cooling rack.

COOKING GLOSSARY



ReadySet™ system

The features of the ReadySet™ system work with your schedule instead of interrupting it to help your day go smoothly.

Boost element

Increase the power of these elements, available on induction electric cooktops and ranges, with just a touch of a button.

Delay Bake

Lets you program the oven to begin cooking at a pre-set time. Prepare food for baking when it's most convenient for you and have dinner ready according to your schedule.

High-speed coil element

Heats up quickly to provide high temperatures for boiling and frying.

Keep Warm

Uses low heat to keep food warm inside the oven, so you can keep completed dishes from getting cold while you work on the rest of your meal.

Rapid Boil element

Quickly boil water with this element.

Rapid Preheat

Preheat the oven 25% faster* with Rapid Preheat. Ideal for single rack baking, this option heats the oven quickly and efficiently.

SpeedHeat™ burner

Sear and boil quickly with this 15,000 BTU to 17,000 BTU burner.

Warm Hold

Make sure every dish is ready at the same time. Warm Hold keeps food warm in the microwave until you're ready to serve it.

Warm Zone element

This low-powered (20-100W) center element keeps food warm while the rest of the meal is being prepared.

Warming drawer

Keeps food and dinnerware warm in a separate, heated drawer. Multiple temperature settings provide flexibility and help ensure that food done ahead of schedule doesn't get cold before the entire meal is ready to serve.



TimeSavor™ system

The TimeSavor™ system cuts out routine steps so you can be off to the next thing quickly.

Frozen Bake™ technology

Cook frozen foods faster with Frozen Bake™ technology** that allows you to skip preheating for favorites like pizza, lasagna, chicken nuggets, fries or pies.

Additional features

Broil element

Enjoy convenient crisping and broiling knowing your Whirlpool® front-control range has one of the most powerful broiling elements in the industry at 4,000W.

Closed door broiling

A broiling temperature management system helps prevent overheating to keep the kitchen comfortable and cool while still maintaining the optimal cooking temperature for food.

Convertible ventilation

Provides added installation flexibility by venting odors outside or recirculating them, depending upon your kitchen's ventilation setup.

Counter depth design ranges

Unlike most ranges on the market, Whirlpool® counter depth design ranges are all made to fit seamlessly into your kitchen. Designed to fit within 2" of a standard 25" depth countertop,† you can be sure they will stand out in the kitchen, without sticking out. Plus, optimized oven design maintains the cooking capacity you need to get dinner on the table.

Crisper pan

Pan-fry foods like bacon or potatoes in the microwave. The patented, non-stick design makes cleanup easy.

Custom broil

Allows you to set your preferred broiling temperature in 5-degree increments. High heat is best for grilling meats, while low heat is ideal for delicate tasks like melting cheese on lasagna.

Dual interior lighting

A pair of lights brighten up the interior so you can keep an eye on what's cooking.

FIT system

Appliances with the FIT system will fit seamlessly in your kitchen without the hassle of remodeling.

Flush installation approved

These wall ovens can be installed flush with your existing kitchen cabinets for a truly seamless look.

Glass edge LED lighting

Offers superior style and practicality, while sensing when your kitchen lights dim and automatically activating.

Grill rack

Provides the ideal setup when using the microwave grill function, allowing you to place food closer to the grill element for faster cooking. Steaks look and taste as if they were cooked under the oven broiler but are ready in less time.

Kids Menu

Cooks a variety of child-friendly food with preprogrammed cycles that are activated by the simple push of a button.

*Single rack baking with Rapid Preheat option versus three-rack without option.

**Compared to a traditional preheat and bake cycle for pizza, nuggets/fries, pies and lasagna. †Excluding handle.

COOKING GLOSSARY



Large oven window

Monitor cooking progress without opening the door, keeping oven temperatures steady and undisturbed.

LP Convertible

These gas cooktops and ranges can be converted from natural gas to a liquid petroleum fuel source.

Microwave steamer

Works in tandem with the steaming function to conveniently steam foods such as rice, vegetables and fish with fresh, pleasing results.

Oval center burner

A center burner maximizes your cooktop's usable space. Plus, its specialized oval shape easily accommodates longer pans.

Panoramic halogen lighting

See food clearly so you can check doneness without opening the door, keeping oven temperature steady for consistent cooking.

Star-K certified

Star-K certified appliances can be used on the Sabbath, as well as holidays of the kosher-observant Jewish consumer.

Wall oven compatible

These cooktops can be installed in a counter over a single wall oven.





DISHWASHERS



Care is adapting



DISHWASHER COLOR OPTIONS



White (W)



Black (B)



Biscuit (T)



Universal Silver (D)



Stainless Steel (S)



Monochromatic Stainless Steel (M)



White Ice (H)



Black Ice (E)

TRASH COMPACTOR COLOR OPTIONS



White (Q)



Black (B)



Stainless Steel (S)

DISHWASHERS





DISHWASHERS





Care is adapting.

That's why we designed our dishwashers with features that sense and adapt to provide the right clean for every load.



Every day, care.™

Dishwashers	240
Trash Compactors & Food Disposers	254
Dimensions	261
Accessories	262
Glossary	264



DISHWASHERS

Skip the scrubbing and soaking, no matter the mess



WashRight™ system

Provide the ideal wash and dry for each load with features that sense and adapt. The TotalCoverage spray arm cleans with twice the jets* for more coverage, while the TargetClean™ option's 40 focused spray jets scour away baked-on foods. Silverware Spray helps remove stuck-on food from utensils to virtually eliminate rewashing.



ReadySet™ system

Features like the 1-hour wash cycle work with your schedule to help your day go smoothly. This cycle cleans dishes in half the time** so you have what you need when mealtime rolls around.



QuickShift™ system

Make the room you need with the adjustable upper rack. It adjusts two inches up or down to allow for larger items in either rack. The in-door silverware basket also frees up space by easily fitting on the front of the lower rack or in the door.

NOTE: Not all features available on all models.
Model shown: Dishwasher WDT920SADM

*Compared to Whirlpool® dishwashers without TotalCoverage spray arm.

**Compared to Normal cycle with lightly soiled loads.

DISHWASHERS

Traditional Console Dishwasher – WDF320PAD

HelpingHand™ system

Cycle memory

QuickShift™ system

Cup shelves

ReadySet™ system

1-hour wash cycle

Delay wash option

WashRight™ system

Heated dry option

Heavy cycle

High temperature wash option

Soil sensor

Additional features

13 place settings

55 dBA*

In-rack silverware basket

Normal cycle



WDF320PAD



White (W)



Black (B)



Biscuit (T)



Universal
Silver (D)



Stainless
Steel (S)

Traditional Console Dishwasher – WDF520PAD

HelpingHand™ system

Cycle memory

QuickShift™ system

Cup shelves

+ In-door silverware basket

ReadySet™ system

1-hour wash cycle

Delay wash option

WashRight™ system

Heated dry option

Heavy cycle

High temperature wash option

+ Sani rinse option

+ Soak & clean cycle

Soil sensor

Additional features

+ 14 place settings

55 dBA*

Normal cycle



WDF520PAD



White (W)



Black (B)



Monochromatic
Stainless Steel (M)





+ Indicates a step-up feature

*Per IEC standards.

For more details, see feature glossary on page 264



WDF540PAD

- 
 White (W)
- 
 Black (B)
- 
 Biscuit (T)
- 
 Monochromatic
 Stainless Steel (M)



**Traditional Console
Dishwasher – WDF540PAD**

HelpingHand™ system

Cycle memory

QuickShift™ system

Cup shelves

In-door silverware basket

ReadySet™ system

1-hour wash cycle

Delay wash option

WashRight™ system

Heated dry option

Heavy cycle

High temperature wash option

Sani rinse option

+ Sensor cycle

Soak & clean cycle

Soil sensor

Additional features

+ 15 place settings

+ 53 dBA*

Normal cycle

DISHWASHERS

Traditional Console Dishwasher – WDF550SAF

HelpingHand™ system

Cycle memory

QuickShift™ system

Cup shelves

ReadySet™ system

Delay wash option

WashRight™ system

Heated dry option

Heavy cycle

High temperature wash option

⊕ Light cycle

Additional features

12 place settings

54 dBA*

In-rack silverware basket

Normal cycle

⊕ Pots & pans cycle

⊕ Rinse only cycle

⊕ Stainless steel tub



WDF550SAF



White (W)



Black (B)



Stainless Steel (S)

⊕ Indicates a step-up feature

*Per IEC standards.

**Visit whirlpool.com for details and qualified models.

For more details, see feature glossary on page 264



WDF560SAF



White (W)



Black (B)



Monochromatic
Stainless Steel (M)



**Traditional Console
Dishwasher – WDF560SAF**

HelpingHand™ system

Cycle memory

+ Cycle status indicator

ReadySet™ system

+ 1-hour wash cycle

Delay wash option

WashRight™ system

Heated dry option

Heavy cycle

High temperature wash option

Light cycle

+ Light dry option

+ Sani rinse option

+ Sensor cycle

+ Soil sensor

Additional features

12 place settings

+ 50 dBA*

In-rack silverware basket

Normal cycle

Stainless steel tub

DISHWASHERS

Integrated Console Dishwasher – WDT720PAD

HelpingHand™ system

- Cycle memory
- Cycle status indicator

QuickShift™ system

- ⊕ Adjustable upper rack
- ⊕ Cup shelves
- ⊕ In-door silverware basket
- ⊕ Upper rack folding tines

ReadySet™ system

- 1-hour wash cycle
- Delay wash option

WashRight™ system

- Heated dry option
- Heavy cycle
- High temperature wash option
- Sani rinse option
- Sensor cycle
- ⊕ Silverware Spray
- ⊕ Soak & clean cycle
- Soil sensor

Additional features

- ⊕ 15 place settings
- 51 dBA*
- Normal cycle



WDT720PAD



White (W)



Black (B)



Monochromatic
Stainless Steel (M)



White Ice (H)



Black Ice (E)

⊕ Indicates a step-up feature





*Per IEC standards.

**Visit whirlpool.com for details and qualified models.

For more details, see feature glossary on page 264



WDF760SAD

- 
 White (W)
- 
 Black (B)
- 
 Biscuit (T)
- 
 Monochromatic
 Stainless Steel (M)



Traditional Console Dishwasher – WDF760SAD

HelpingHand™ system

Cycle memory

QuickShift™ system

Adjustable upper rack

Cup shelves

In-door silverware basket

- ⊕ Lower rack folding tines
- Upper rack folding tines

ReadySet™ system

1-hour wash cycle

Delay wash option

WashRight™ system

Heated dry option

Heavy cycle

High temperature wash option

Sani rinse option

Sensor cycle

Silverware Spray

Soak & clean cycle

Soil sensor

- ⊕ TargetClean™ option
- ⊕ TotalCoverage spray arm

Additional features

15 place settings

- ⊕ 49 dBA*
- Normal cycle
- ⊕ Stainless steel tub
- ⊕ Upgraded upper rack glides

DISHWASHERS

Integrated Console Dishwasher – WDT780SAE

HelpingHand™ system

- Cycle memory
- + Cycle status indicator

QuickShift™ system

- Adjustable upper rack
- Cup shelves
- In-door silverware basket

ReadySet™ system

- 1-hour wash cycle
- Delay wash option

WashRight™ system

- Heated dry option
- Heavy cycle
- High temperature wash option
- Sani rinse option
- Sensor cycle
- Soak & clean cycle
- Soil sensor

Additional features

- 14 place settings
- + 48 dBA**
- Normal cycle
- Stainless steel tub



WDT780SAE



Monochromatic
Stainless Steel (M)

+ Indicates a step-up feature

*Visit whirlpool.com for details and qualified models.

**Per IEC standards.

For more details, see feature glossary on page 264



WDT920SAD



Monochromatic
Stainless Steel (M)



White Ice (H)



Black Ice (E)



**Integrated Console
Dishwasher – WDT920SAD**

HelpingHand™ system

- Cycle memory
- Cycle status indicator

QuickShift™ system

- Adjustable upper rack
- Cup shelves
- In-door silverware basket
- + Lower rack sliding tines
- + Upper rack folding tines

ReadySet™ system

- 1-hour wash cycle
- Delay wash option

WashRight™ system

- Heated dry option
- Heavy cycle
- High temperature wash option
- Sani rinse option
- Sensor cycle
- + Silverware Spray
- Soak & clean cycle
- Soil sensor

+ TargetClean™ option

+ TotalCoverage spray arm

Additional features

- + 16 place settings
- + 46 dBA**
- Normal cycle
- Stainless steel tub
- + Upgraded upper rack glides

COMPACT DISHWASHER

Traditional Console Compact Dishwasher – WDF518SAF

HelpingHand™ system

Cycle memory

QuickShift™ system

Cup shelves

ReadySet™ system

Delay wash option

Quick wash cycle

WashRight™ system

Heated dry option

Heavy cycle

Additional features

8 place settings

57 dBA*

Compact design

In-rack silverware basket

Normal cycle

Pots & pans cycle

Rinse only cycle

Stainless steel tub



WDF518SAF



White (W)



Black (B)



Monochromatic
Stainless Steel (M)

*Per IEC standards.

For more details, see feature glossary on page 264

PORTABLE DISHWASHER



WDP350PAA



White (W)



Black (B)



Traditional Console Portable Dishwasher – WDP350PAA

HelpingHand™ system

Cycle memory

ReadySet™ system

1-hour wash cycle

Delay wash option

WashRight™ system

Heated dry option

Heavy cycle

High temperature wash option

Soil sensor

Additional features

12 place settings

55 dBA*

In-rack silverware basket

Normal cycle

Portable design

DISHWASHERS

Bold type indicates a step-up feature

MODEL	WDF320PAD	WDF520PAD	WDF540PAD	WDF550SAF	WDF560SAF	WDT720PAD	WDF760SAD	WDT780SAE	WDT920SAD
Sound level (dBA*)	55	55	53	54	50	51	49	48	46
30-Day Money Back Clean & Quiet Guarantee**	—	—	—	—	•	—	•	•	•
Cycle memory	•	•	•	•	•	•	•	•	•
Cycle status indicator	—	—	—	—	•	•	—	•	•
Electronic controls	•	•	•	•	•	•	•	•	•
ENERGY STAR® certified	•	•	•	•	•	•	•	•	•
Place setting capacity	13	14	15	12	12	15	15	14	16
Silverware Spray	—	—	—	—	—	•	•	—	•
Soil sensor	•	•	•	—	•	•	•	•	•
TotalCoverage spray arm	—	—	—	—	—	—	•	—	•
DESIGN FEATURES									
Fully integrated console	—	—	—	—	—	•	—	•	•
Traditional console	4"	2½"	2½"	5"	2½"	—	2½"	—	—
Tub material	White plastic	Slate plastic	Slate plastic	Stainless steel	Stainless steel	Slate plastic	Stainless steel	Stainless steel	Stainless steel
CYCLES & OPTIONS									
Total number of cycles	3	4	5	5	5	5	5	5	5
1-hour wash	•	•	•	—	•	•	•	•	•
Heavy	•	•	•	•	•	•	•	•	•
Light	—	—	—	•	•	—	—	—	—
Normal	•	•	•	•	•	•	•	•	•
Pots & pans	—	—	—	•	—	—	—	—	—
Rinse only	—	—	—	•	—	—	—	—	—
Sensor	—	—	•	—	•	•	•	•	•
Soak & clean	—	•	•	—	—	•	•	•	•
Total number of options	4	5	5	4	5	5	6	5	6
Control lock	•	•	•	•	•	•	•	•	•
Delay wash (hours)	4	4	4	2, 4, 8	1-24	1-24	1-24	1-24	1-24
Heated dry	•	•	•	•	•	•	•	•	•
High temperature wash	•	•	•	•	•	•	•	•	•
Light dry	—	—	—	—	•	—	—	—	—
Sani rinse	—	•	•	—	•	•	•	•	•
TargetClean™	—	—	—	—	—	—	•	—	•
RACK FEATURES									
Adjustable upper rack	—	—	—	—	—	•	•	•	•
Cup shelves	•	•	•	•	—	•	•	•	•
Lower rack folding tines	—	—	—	—	—	—	•	—	•
Lower rack sliding tines	—	—	—	—	—	—	—	—	•
Rack coating	Vinyl	Vinyl	Nylon	Nylon	Nylon	Nylon	Nylon	Nylon	Nylon
Silverware basket	In-rack	In-door	In-door	In-rack	In-rack	In-door	In-door	In-door	In-door
Upgraded upper rack glides	—	—	—	—	—	—	•	—	•
Upper rack folding tines	—	—	—	—	—	2	2	—	2
COLORS									
Available colors†	W B T D S	W B M	W B T M	W B S	W B M	W B M H E	W B T M	M	M H E

*Per IEC standards. **Visit whirlpool.com for details and qualified models.

†W = White, B = Black, T = Biscuit, D = Universal Silver, S = Stainless Steel, M = Monochromatic Stainless Steel, H = White Ice, E = Black Ice

DISHWASHERS (CONTINUED)

MODEL	18" Compact WDF518SAF	Portable WDP350PAA
Sound level (dBA*)	57	55
Cycle memory	•	•
Electronic controls	•	•
ENERGY STAR® certified	•	•
Place setting capacity	8	12
Soil sensor	—	•
DESIGN FEATURES		
Traditional console	5"	4"
Tub material	Stainless steel	White plastic
CYCLES & OPTIONS		
Total number of cycles	5	3
1-hour wash/Quick wash	•	•
Heavy	•	•
Normal	•	•
Pots & pans	•	—
Rinse only	•	—
Total number of options	2	4
Control lock	—	•
Delay wash (hours)	2, 4, 8	4
Heated dry	•	•
High temperature wash	—	•
RACK FEATURES		
Cup shelves	•	—
Rack coating	Vinyl	Vinyl
Silverware basket	In-rack	In-rack
COLORS		
Available colors**	W B M	W B

*Per IEC standards. **W = White, B = Black, M = Monochromatic Stainless Steel

TRASH COMPACTORS & FOOD DISPOSERS

Reduce your trash volume and trips to the curb



QuickSelect™ system

Make changes in an instant with easy-to-operate touch pad controls on the front of the trash compactor or sleek integrated controls that hide away when not in use.



Automatic anti-jam

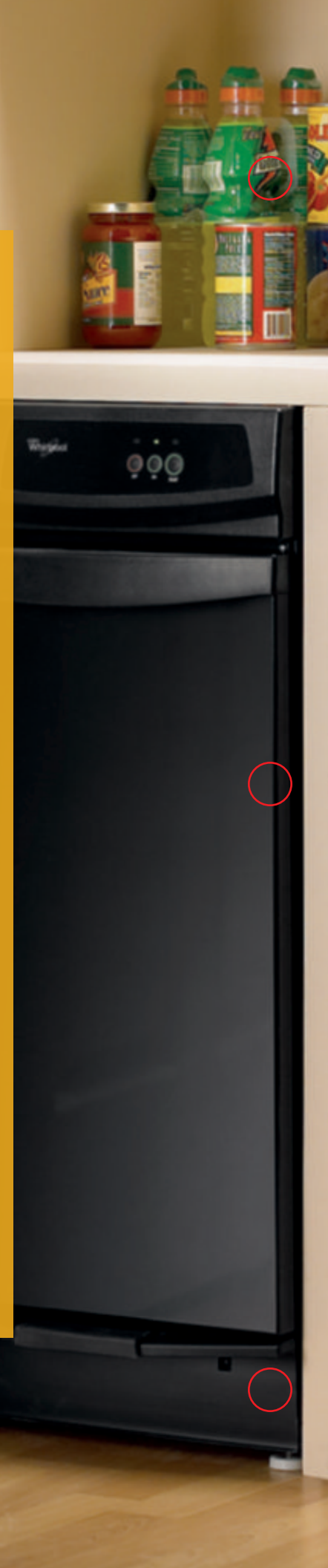
If the door is opened during operation, the compression ram will automatically reverse to prevent jamming.



Touch-Toe™ drawer opener

No free hands? No problem. Use the convenient Touch-Toe™ drawer opener to open your trash compactor.

NOTE: Not all features available on all models.
Model shown: Convertible Trash Compactor GC900QPPB

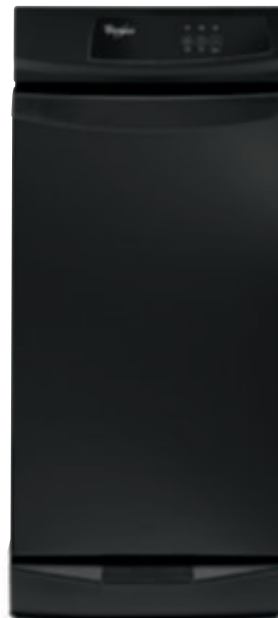




GX900QPP



Stainless Steel (S)



GC900QPP



White (Q)



Black (B)

1.4 cu. ft. Undercounter Trash Compactor – GX900QPP

QuickSelect™ system

Touch pad controls

Additional features

1/3-HP motor

4:1 compaction ratio

Automatic anti-jam

Bag retainer buttons

Easy Rollers™ installation wheels

Side release bin

Touch-Toe™ drawer opener

Trash basket

1.4 cu. ft. Convertible Trash Compactor – GC900QPP

QuickSelect™ system

Touch pad controls

Additional features

1/3-HP motor

4:1 compaction ratio

Automatic anti-jam

Bag retainer buttons

⊕ Convertible freestanding-to-built-in

Easy Rollers™ installation wheels

Side release bin

Touch-Toe™ drawer opener

Trash basket

⊕ Indicates a step-up feature

For more details, see feature glossary on page 264

TRASH COMPACTORS

1.4 cu. ft. Undercounter Trash Compactor – TU950QPX

QuickSelect™ system

⊕ Integrated controls

Additional features

1/3-HP motor

4:1 compaction ratio

Automatic anti-jam

Bag retainer buttons

Easy Rollers™ installation wheels

Side release bin

Touch-Toe™ drawer opener



TU950QPX



Stainless
Steel (S)

⊕ Indicates a step-up feature

*Plug and cord accessory included.

For more details, see feature glossary on page 264



GC1000XE/PE*

1/3-HP In-Sink Disposer – GC1000XE/PE*

Features

- 1/3-HP motor
- 1,725 RPM
- ABS grind chamber
- Continuous-feed operation
- Galvanized steel grinding wheel & shredder ring
- Locked-in mounting
- Overload protector with manual reset
- Stainless steel sink flange with 1-piece plastic stopper
- Stainless steel swivel impellers



GC2000XE/PE*

1/2-HP In-Sink Disposer – GC2000XE/PE*

Features

- ⊕ 1/2-HP motor
- 1,725 RPM
- ABS grind chamber
- Continuous-feed operation
- Galvanized steel grinding wheel & shredder ring
- Locked-in mounting
- Overload protector with manual reset
- Stainless steel sink flange with 1-piece plastic stopper
- Stainless steel swivel impellers

FOOD DISPOSERS

3/4-HP In-Sink Disposer – GC5000XE

Features

- ⊕ 3/4-HP motor
 - 1,725 RPM
 - ABS grind chamber
 - Continuous-feed operation
- ⊕ Corrosion protection shield
- ⊕ High polish stainless steel sink flange with 1-piece stainless steel stopper
 - Locked-in mounting
 - Overload protector with manual reset
- ⊕ Sound insulation
- ⊕ Stainless steel grinding wheel & shredder ring
 - Stainless steel swivel impellers



GC5000XE

⊕ Indicates a step-up feature

For more details, see feature glossary on page 264

TRASH COMPACTORS

Bold type indicates a step-up feature

MODEL	Undercounter GX900QPP	Convertible GC900QPP	Undercounter TU950QPX
4:1 compaction ratio	•	•	•
Capacity (cu. ft.)	1.4	1.4	1.4
Motor	½-HP	½-HP	½-HP
DESIGN FEATURES			
Integrated controls	—	—	•
Touch pad controls	•	•	—
COMPACTOR FEATURES			
Automatic anti-jam	•	•	•
Bag retainer buttons	•	•	•
Convertible freestanding-to-built-in	—	•	—
Easy Rollers™ installation wheels	•	•	•
Front levelers/rear rollers	•	•	•
“Hidden” removable key control knob	•	•	—
Side release bin	•	•	•
Tilt switch	•	•	•
Touch-Toe™ drawer opener	•	•	•
Trash basket	•	•	—
COLORS			
Available colors*	S	Q B	S

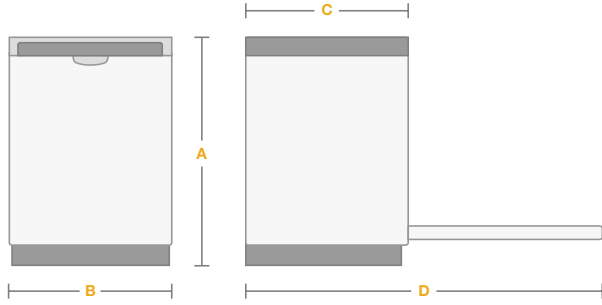
*Q = White, B = Black, S = Stainless Steel

FOOD DISPOSERS

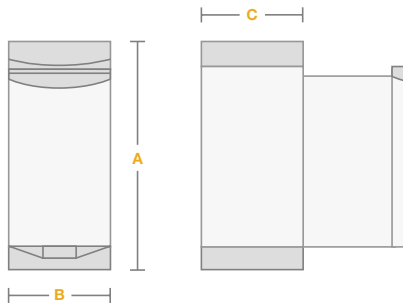
Bold type indicates a step-up feature

MODEL	GC1000XE	GC1000PE	GC2000XE	GC2000PE	GC5000XE
Continuous-feed operation	•	•	•	•	•
Corrosion protection shield	—	—	—	—	•
Dishwasher connection	Yes	Yes	Yes	Yes	Yes
Drain chamber	ABS	ABS	ABS	ABS	ABS
Drain connection	1½"	1½"	1½"	1½"	1½"
Grinding chamber capacity	26 oz	26 oz	26 oz	26 oz	26 oz
Grinding chamber material	ABS	ABS	ABS	ABS	ABS
Grinding wheel	Galvanized steel	Galvanized steel	Galvanized steel	Galvanized steel	Stainless steel
Jam release	Wrench	Wrench	Wrench	Wrench	Wrench
Locked-in mounting	•	•	•	•	•
Manual reset	•	•	•	•	•
Max spin speed (RPM)	1,725	1,725	1,725	1,725	1,725
Motor	½-HP	½-HP	½-HP	½-HP	¾-HP
Motor type	Induction	Induction	Induction	Induction	Induction
Overload protector	•	•	•	•	•
Power cord (included)	—	3½'	—	3½'	—
Shredder ring	Galvanized steel	Galvanized steel	Galvanized steel	Galvanized steel	Stainless steel
Sink flange	Stainless steel	Stainless steel	Stainless steel	Stainless steel	Stainless steel
Sound insulation	—	—	—	—	•
Starting method	Centrifugal switch	Centrifugal switch	Centrifugal switch	Centrifugal switch	Centrifugal switch
Stopper	Plastic w/seal	Plastic w/seal	Plastic w/seal	Plastic w/seal	1 piece stainless steel
Swivel impellers	360° stainless steel	360° stainless steel	360° stainless steel	360° stainless steel	360° stainless steel

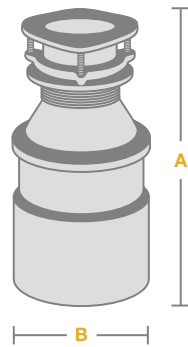
DISHWASHER DIMENSIONS



DISHWASHER MODEL	MAX HEIGHT (A)	WIDTH (B)	DEPTH (C)	DEPTH WITH DOOR OPEN (D)
WDF320PAD	34 1/2"	23 7/8"	25 1/4"	49 1/2"
WDF520PAD	34 1/2"	23 7/8"	25 1/4"	49 1/2"
WDF540PAD	34 1/2"	23 7/8"	25 1/4"	49 1/2"
WDF550SAF	34 1/2"	23 5/8"	24"	44 1/2"
WDF560SAF	34 1/2"	23 7/8"	24 1/2"	49 1/2"
WDT720PAD	34 1/2"	23 7/8"	25 1/2"	49 1/2"
WDF760SAD	34 1/2"	23 7/8"	25 1/4"	49 1/2"
WDT780SAE	34 1/2"	24"	26 1/2"	49 1/2"
WDT920SAD	34 1/2"	23 7/8"	26 1/2"	49 1/2"
WDF518SAF	34 1/2"	17 1/2"	22"	44 1/2"
WDP350PAA	37"	24 1/8"	27 1/2"	49 1/2"



TRASH COMPACTOR MODEL	MAX HEIGHT (A)	WIDTH (B)	DEPTH (C)
GX900QPP	33 7/8"	15"	24 3/8"
GC900QPP	34 3/8"	15"	24 3/8"
TU950QPX	33 7/8"	15"	24 3/8"



FOOD DISPOSER MODEL	MAX HEIGHT (A)	DIAMETER (B)
GC1000XE	11 3/8"	6 5/16"
GC1000PE	11 3/8"	6 5/16"
GC2000XE	11 3/8"	6 5/16"
GC2000PE	11 3/8"	6 5/16"
GC5000XE	12 3/8"	6 5/16"

Dimensions are shown for planning purposes only. For complete information, see Installation Instructions packed with product.

DISHWASHER ACCESSORIES



Cleaning & Maintenance

➤ affresh® Dishwasher & Disposal Cleaner

Powers away hard water mineral residue and is Designed for the Environment.* Pouch contains 6 tablets. – **W10282479**

Dishwasher Rack Repair Kit

Includes everything you need to repair your dishwasher rack tines. It contains 150 tine tips, a 4-oz bottle of vinyl touch-up paint/adhesive with a brush and instruction sheet.

Blue – **4396839RC**

Grey – **4396840RC**

White – **4396838RC**

Dishwasher Rack Accessories

Small Items Bag

Holds extra-small utensils, contact cases and other small items that would normally slip through the dishwasher rack. – **8519716**



➤ Small Items Basket

Fits all Whirlpool® dishwashers. It holds baby items, jar lids and other small utensils that would normally slip through the dishwasher rack. – **3370993RB**

Hoses & Fittings

Braided Hoses

Each includes: 3/8" brass elbow, 3/8" brass compression fitting and 3/8" brass swivel gooseneck fitting.

6' braided hose (without teflon tape) – **W10278635RP**

6' braided hose (with teflon tape) – **W10278636RC**



➤ Drain Hoses

No-kink design is made for hot water.

12' drain hose – **Tall Tub-3385556**

12' drain hose – **8531858**

6' drain hose – **8269144A**

EPDM Hoses

Each includes: 3/8" brass elbow, 3/8" brass compression fitting and 3/8" brass swivel gooseneck fitting.

4' red EPDM hose – **W10278625RP**

5' red EPDM hose – **W10278626RP**

6' red EPDM hose (retail polybag) – **W10278627RP**

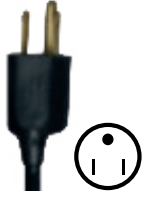
6' red EPDM hose (retail claim) – **W10278627RC**

Swivel Gooseneck Fitting

Space-saving 90° design makes this 3/4" x 3/8" elbow hose fitting perfect for easy dishwasher installation.

A 3/8" brass compression fitting is included. Required on dishwashers produced after 2009. – **W10685193**

DISHWASHER ACCESSORIES



Power Cords

5', 3-Prong Dishwasher Power Cord

Take home everything you need to bring power to your dishwasher with the UL-listed power cord, strain relief, wire nuts and installation instructions. – **4317824**

6', 3-Prong Dishwasher Power Supply Kit

This 6', 90° UL-listed power cord kit fits dishwashers from most major brands and includes a power cord, metal strain relief bracket, wire nuts and instructions. – **W10278923RP**

Mounting Kits



Undercounter Mounting Kit

Works with all standard size dishwashers. Can be used with solid surfaces, including granite. – **W10426979**



DISHWASHER GLOSSARY



HelpingHand™ system

Inspired by your personal routine, the features of the HelpingHand™ system help you manage the daily chaos of your kitchen.

Cycle memory

Whirlpool® dishwashers remember the last cycle you picked and automatically choose it for you the next time.

Cycle status indicator

The full lit display will glow for wash, drain, drying, sanitized and clean. It will also display the remaining time for the cycle in hours and minutes.



QuickSelect™ system

The QuickSelect™ system helps you get started and make changes fast with easy-to-operate controls and features.

Integrated console

This sleek exterior control panel is hidden away.

Touch pad controls

Trash compactors feature easy-to-operate touch pad controls on the front of the compactor.



QuickShift™ system

The QuickShift™ system helps you make the room you need with flexible features that adjust to make everything fit in a snap.

Adjustable upper rack

Manually raise or lower the upper rack two inches to better fit tall items.

Cup shelves

Stack two levels of coffee mugs or small cups and secure delicate glassware when used as a stemware holder in the upper rack.

Folding tines

Secure dishes during the wash cycle or fold down to create space for larger items.

In-door silverware basket

Designed to clean better and fit in four places for maximum flexibility, the in-door silverware basket rests on two locations in the bottom rack, the front of the lower rack or in the door for 100% usable rack space.

Sliding tines

Move left or right to fit your dishes. Now you have twice the space between tines to fit larger bowls for optimal cleaning.



ReadySet™ system

The features of the ReadySet™ system work with your schedule instead of interrupting it to help your day go smoothly.

1-hour wash cycle

Thoroughly cleans your dishes in nearly half the time.* This hour-long cycle helps you take care of dirty dishes when you are in a rush.

Delay wash option

Wash dishes according to your schedule. This option lets you delay washing for up to 8 hours until off-peak hours when utility rates may be lower.

Quick wash cycle

Use for prerinse or lightly soiled loads.



WashRight™ system

The features of the WashRight™ system adjust and work together to provide the ideal wash and dry for each load.

Heated dry option

Dries dishes with heat. For best drying results, use this option with rinse aid.

Heavy cycle

Adds more time to the cycle to clean heavily soiled items.

High temperature wash option

Choose this option when additional cleaning of items like baby bottles, glassware or dishes is required.

Sani rinse option

Sanitizes dishes by eliminating 99.999% of food and bacteria.

Sensor cycle

Automatically selects the right wash and dry settings for your load by using two separate sensors to measure temperature, soil level and load size once during the prewash and once during the wash cycle. It cleans tough soils using just the right amount of time, energy and water.

Silverware Spray

Helps remove stuck-on food from utensils, like peanut butter on knives and oatmeal on spoons. It delivers a concentrated shower of water to the in-door silverware basket to virtually eliminate rewashing.

Soak & clean cycle

Quietly soaks dishes with an extended prewash, which eliminates the need to presoak dishes before loading in the dishwasher. This cycle is ideal for loads with heavy amounts of dried-on or hard-to-clean baked-on food.

*Compared to Normal cycle with lightly soiled loads. **Compared to Whirlpool® dishwashers without TotalCoverage spray arm.

DISHWASHER GLOSSARY

Soil sensor

Determines how dirty dishes are and adjusts the Normal cycle as needed to make sure dishes come out clean.

TargetClean™ option

Uses 40 targeted spray jets in a designated wash area to scour away baked-on foods without soaking or scrubbing. From casserole dishes to pots and pans, this option delivers the right coverage to clean large items.

TotalCoverage spray arm

Cleans with twice the jets™ for more coverage. A smarter sequence of spray patterns from multiple nozzles hits dishes throughout the cycle, so you can be sure they're all clean and ready to go.

Rinse only cycle

Keeps food from drying on your dishes and reduces odor build up in your dishwasher until you are ready to wash a full load.

Stainless steel interior

Retains heat from wash and rinse cycles to promote drying. The stainless steel interior also cools faster than the dishes, allowing moisture to condense on the interior walls and drawing additional water off the hotter dishes.

Touch-Toe™ drawer opener

Easily open Whirlpool® trash compactors without your hands using the Touch-Toe™ drawer opener. A light tap of the toe is all that's needed to release the drawer.

Additional features

30-Day Money Back Clean & Quiet Guarantee

If you are not completely satisfied that your new Whirlpool® dishwasher is quieter and cleans better than your previous model, Whirlpool Corporation will take it back within 30 days of the date of purchase and refund the full price to you. Visit whirlpool.com for complete details and qualified models.

Automatic anti-jam

If the door of a Whirlpool® trash compactor is opened during operation, the compression ram will automatically reverse to prevent jamming.

CEE Tier standards

Based on the Consortium for Energy Efficiency (CEE) qualifying product lists. Visit cee1.org for more information.

Easy Rollers™ installation wheels

Easily position your Whirlpool® compactor where you need it with the Easy Rollers™ installation wheels.

ENERGY STAR® certified

Exceeds government standards to help conserve natural resources and save money on utility bills.

In-rack silverware basket

Silverware gets its own place in the dishwasher with the in-rack silverware basket.

Normal cycle

Use for loads with normal amounts of food soil. This cycle is great for everyday loads.

Nylon racks

Durable nylon coating helps resist rust and prevent scratching.

Pots & pans cycle

Use for heavily soiled, hard-to-clean items.



Every day, care.™



As part of Whirlpool Corporation's ongoing commitment to well-managed forests, all of the paper in this catalog comes from forests in compliance with the Forest Stewardship Council™ standards for Responsible Forest Management.

HABITAT FOR HUMANITY is a registered trademark of Habitat for Humanity International, Inc. Nest® and Nest Learning Thermostat™ are trademarks licensed by Nest Labs, Inc. BLUETOOTH is a registered trademark of Bluetooth SIG, Inc. HARMAN KARDON is a registered trademark of Harman International Industries, Incorporated. Used under License. ©/™ ©2016 Whirlpool. All rights reserved. All other trademarks are owned by their respective companies. Printed in the U.S.A. 3/16. Form No. WX150210 | whirlpool.com