



THE NEWLY REDESIGNED
OUTDOOR GRILL VENT HOOD

Redesigned and re-engineered for improved operation and efficiency, the Fire Magic® Outdoor Grill Vent Hood quickly exhausts excess smoke and heat from covered patios. From its efficient dual fans (1200 CFM total) to the configuration of the hood itself, the Grill Vent Hood is created specifically for your outdoor grilling environment. With powerful halogen undermount lamps, your grilling area can be illuminated for evening cooking.

42-VH-5
MODEL SHOWN
(GRILL SOLD SEPARATELY)

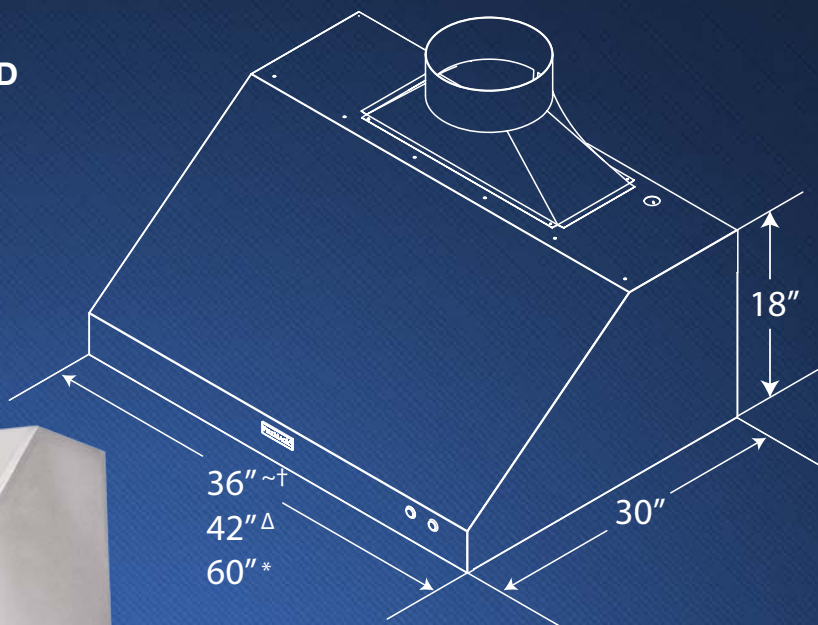




THE NEWLY REDESIGNED OUTDOOR GRILL VENT HOOD

OUTDOOR GRILL VENT HOOD AVAILABLE MODELS:

- MODEL: 36-VH-5 ~†
- MODEL: 42-VH-5 Δ
- MODEL: 60-VH-5 *



feature highlights

- Powerful dual fans (1200 CFM total) specifically designed and engineered to quickly extract smoke, heat, grease, and odors from the front and rear of the hood
- High quality brushed 304 stainless steel construction with seamless polished edges
- Dual halogen undermount lamps (three lamps in 60" unit and two in the 36" & 42") provide generous light for evening grilling
- Thermal safety sensor automatically activates fans when temperature reaches 140° F
- Blue bezel illuminated push buttons reveal lamps and fan in the ON position at a glance
- Anodized aluminum filters remove easily and are dishwasher safe
- Available in 36", 42", and 60" widths
- All units are 30" deep

SPECIFICATIONS

Electrical requirements 110 volts, 60 hertz, 20 amp; GFI outlet.

(2) Fans 1200 CFM (600 CFM Each)

Power Consumption 970 watts

Outdoor Vent Hoods are for outdoor use only and must be wall mounted.