

FULGOR

MILANO

600 Series French Door Refrigerator

FM36CDFDS1

BAR CODE (EAN 13)

8019801016082



Series

Type	Counter depth French door
Size	
Colour	stainless steel

PERFORMANCES

REFRIGERATION SYSTEM	Total NO - frost
REFRIGERATION SYSTEM	Dual cycle and dual air cooled
TOTAL NET CAPACITY	20,8 cu.ft
REFRIGERATION NET CAPACITY	15,1 cu.ft
FREEZER NET CAPACITY	5,7 cu.ft

CONTROLS

CONTROL	Electronic with LED display
DISPLAY COLOR	white
REFRIGERATION TEMPERATURE CONTROL	yes
FREEZER TEMPERATURE CONTROL	yes
ENERGY SAVING MODE	yes
AUTO MODE	yes
ICE MAKING SWITCH	yes
CHILD LOCK	yes

GAUGES

ON / OFF	yes
REFRIGERATION COMPARTMENT	yes
REFRIGERATOR TEMPERATURE	yes
FAST COOLING	yes
FREEZER COMPARTMENT	yes
FREEZER TEMPERATURE	yes
FAST FREEZING	yes
ENERGY SAVING	yes
ICE MAKING	yes
LOCKED ICON	yes
DOOR ALARM	yes

FEATURES

FULGOR

MILANO

AUTOMATIC ICE_MAKER	yes
LIGHTING	LED
SHELVES	4 glass, one foldable
DRAWERS	3
EGG TRAY	2x8 eggs
WATER FILTER	no

DOCUMENTATION

APPROVALS	UL
-----------	----

Dimensions/Weight

Overall dim - width	35 7/8" - 91 cm
Overall dim - height	70 " - 178 cm
Overall dim - depth	28 6/8" - 729 cm
Gross (Net) weight (kg)	148 (137)

Power / Ratings (115 V, 60 Hz)

KW/Amps rating	0,3/2,7
Power cord + Plug	yes

INSTRUCTIONS FOR USE

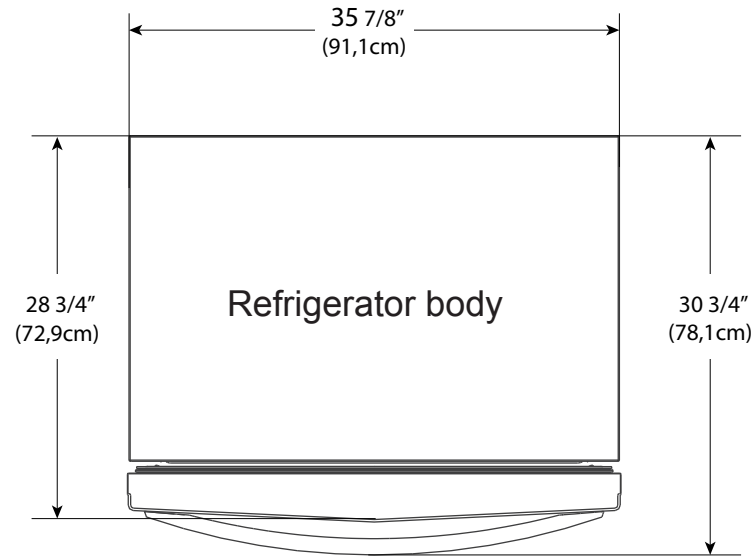
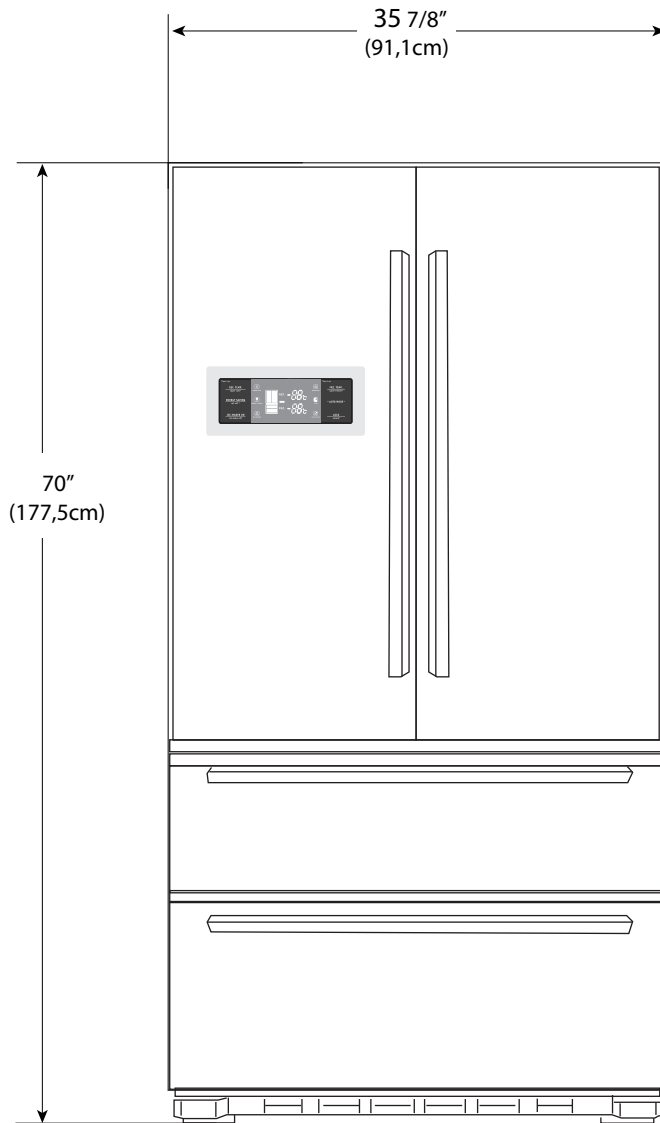
Use & Care Manual	EN, SP, FR
Installation Manual	EN, SP, FR

FULGOR

MILANO

Refrigerator French Door 600 SERIES

Weight & Dimensions



PACKAGING DIMENSION	cm	inches
	WIDTH	98,5cm
DEPTH	78cm	30 3/4"
HEIGHT	188,5cm	74 1/4"

WEIGHT	lb	Kg
	GROSS WEIGHT	326.3 lb
NET WEIGHT	302 lb	137 Kg

