

INSTALLATION INSTRUCTIONS

Frameless Cabinetry ActiveSmart™ Integrated Door Drawer Refrigerator

RS36W80 models

US CA

Fisher & Paykel



www.fisherpaykel.com
www.dcsappliances.com

844189 A 04.16

FOLLOW THE INSTALLATION SEQUENCE RELEVANT TO YOUR CABINETRY

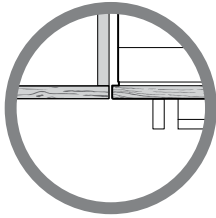
NOTE: PRODUCT IS DESIGNED FOR FLUSH INSET INSTALLATION ONLY

FISHER & PAYKEL: RS36W80(R/L)J and RS36W80RU models
DCS: RS36W80(R/L)JC and RS36W80RUC models

FRAMELESS CABINETRY

(Frameless: Aligns the product with the cabinetry)

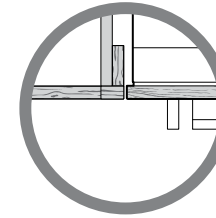
Note: shown with custom panel and handles attached to fridge



FRAMED CABINETRY

(Framed: Aligns the product with the frame of the cabinetry)

Note: shown with custom panel and handles attached to fridge



(refer to the flip side of the booklet)

- ① SAFETY AND WARNINGS
- ② BEFORE INSTALLATION
- ③ COMPONENTS LIST
- ④ MAXIMUM DISTANCE OF HOSE AND POWER CORD
- ⑤ PRODUCT AND CAVITY DIMENSIONS
- ⑥ CAVITY PREPARATIONS
- ⑦ CUSTOM DOOR PANEL DIMENSIONS

- | | | |
|---|----|--|
| ⑧ 80" CAVITY
(2032 mm)
ATTACH ANTI-TIP BRACKET | OR | ⑧ 84" CAVITY
(2134 mm)
ATTACH ANTI-TIP BRACKET
ATTACH TOP TRIM |
|---|----|--|

- ⑨ ATTACH SIDE BASE BRACKETS AND DOOR STUDS
- ⑩ CONNECT TO WATER AND ELECTRICAL SUPPLY
- ⑪ PRE-ALIGN YOUR PRODUCT INSIDE CABINETRY
- ⑫ INSTALL WATER FILTER CARTRIDGE AND KICKSTRIPS
- ⑬ ASSEMBLE DOOR PANEL SET
- ⑭ HANG ICE & WATER DOOR PANEL
- ⑮ HANG NON-WATER DISPENSING DOOR PANELS
- ⑯ ICE AND WATER INITIATION
- ⑰ ATTACH FIXING BRACKETS
- ⑱ ATTACH COVERS AND TOE KICK
- ⑲ ATTACH BOTTOM GRILLES

- | | | |
|--|----|---|
| ⑳ ATTACH SIDE TRIM BRACKETS -
(A) FLEXIBLE SPRING CLIP METHOD
(Recommended method) | OR | ⑳ ATTACH SIDE TRIM BRACKETS -
(B) FIXED SCREW METHOD |
|--|----|---|

- ㉑ ADJUST HINGE TENSIONING SCREWS
- ㉒ FINAL CHECKLIST

① SAFETY AND WARNINGS

⚠ WARNING!



Electric Shock Hazard
Read and follow the safety and warnings outlined in this installation instructions guide before operating this appliance.
Failure to do so can result in death, electric shock, fire or injury to persons.

⚠ WARNING!



Cut Hazard
Take care – panel edges are sharp. Failure to use caution could result in injury or cuts.

⚠ WARNING!



This appliance is top-heavy and must be secured to prevent the possibility of tipping forward.
To ensure that the appliance is stable under all loading conditions, the anti-tip bracket and fittings supplied must be installed according to the following installation instructions by a professional installer.

② BEFORE INSTALLATION

Please follow the installation steps specified to ensure your appliance is installed and operates correctly.

Refrigeration alcove preparation

- For integrated installation, a finished return of solid material is required across the top and sides of the new or existing alcove.
- It is recommended that the return be at least 3 1/2" (88.9mm) deep across the sides.

Refer to page 13 prior to installation of the appliance.

② BEFORE INSTALLATION

Power

- To ensure that the appliance is not accidentally switched off, connect your refrigerator to its own isolating switch. Do not plug in any other appliance at this isolating switch.
- For power requirements, please refer to the information on the serial plate. This is located at the front right-hand side of the drawer when open.
- It is essential that the appliance is properly grounded (earthed).
- Connect the appliance to the electrical supply (115VAC, 60Hz) with the fitted plug and lead.
- Follow the National Electrical Code and all local codes and ordinances when installing this product.
- Warning: Ground Fault Circuit Interrupters (GFCI) may trip during normal operation of your refrigerator and interrupt the power supply. The use of a GFCI is not recommended with this product.

Location

- Your refrigerator should not be located in direct sunlight or next to any heat generating appliance such as a cooktop, oven or dishwasher.
- Your product is fitted with front and rear rollers designed for moving the product in forwards and backwards direction.
- Avoid moving the product in a sideways direction as this may damage the rollers or the floor covering/surface.

Plumbing

- Your product must be installed by a qualified appliance installer as incorrect plumbing can lead to water leaks.
- Fisher & Paykel Appliances and DCS by Fisher & Paykel Appliances do not accept responsibility for damage (including water damage) caused by faulty installation or plumbing.

Door panel set

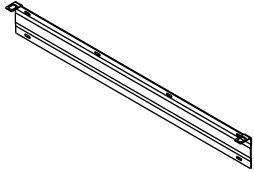
- The standard appliance does not include a door panel set.
- Custom door panels can only be used with non-Water dispensing models.
- For a custom integrated design on non-Water dispensing models, customers would supply their own custom door panel set to match their cabinetry. All the hardware required to mount the door panel sets to the refrigerator doors is supplied with the appliance.
- Door panel sets are available through your Fisher & Paykel dealer.
 - Fisher & Paykel door panel sets are available (EZKleen stainless steel door panels) model numbers: RD3680(L/R), RD3680RU, RD3684(L/R) and RD3684RU.
 - DCS door panel sets are available (stainless steel door panels) model numbers: RD3680(L/R)C, RD3680RUC, RD3684(L/R)C and RD3684RUC.
- Handle sets are optional for custom door panels and can also be purchased through your Fisher & Paykel dealer.

IMPORTANT! SAVE THESE INSTRUCTIONS

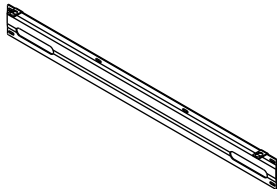
The models shown in this installation guide may not be available in all markets and are subject to change at any time. For current details about model and specification availability in your country, please go to our website www.fisherpaykel.com or www.dcsappliances.com or contact your local Fisher & Paykel dealer.

3 COMPONENTS LIST

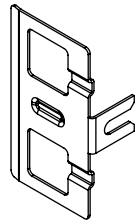
Door panel fittings - Included with standard appliance.



Door hanging bracket
(1)



Drawer hanging bracket
(1)



Side bracket
(6)



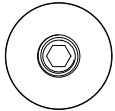
Side strap
(6)



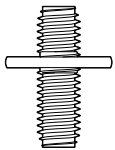
M5 x 10 pan head
Phillips screw
(6)



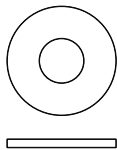
#8 x 16 mush washer screw
(35)
(12) for Side trim attachment:
Fixed screw method only)



M8 stud
(5)



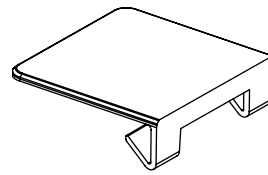
M8 washer
(4)



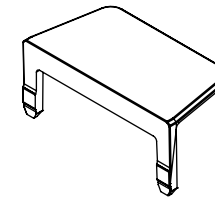
M8 nut
(4)



Top cover
(2)

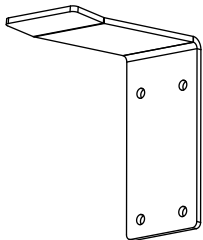


Side cover
(10)

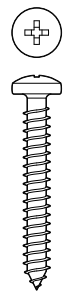


Locking bracket
(1)

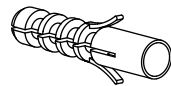
Anti-tip bracket fittings - Included with standard appliance.



Anti-tip bracket
(1)



#10 x 40 pan head
Phillips screw
(4)

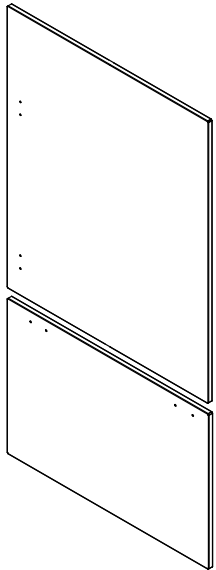


Masonry plug
(4)

3 COMPONENTS LIST

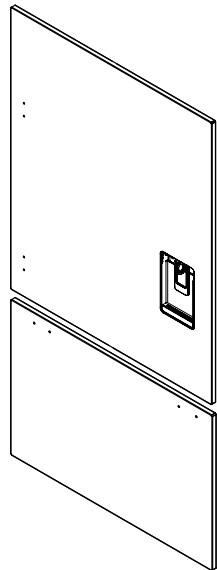
Optional accessories - The standard appliance does not include a door panel set.

Fisher & Paykel (EZKleen stainless steel) and DCS (Stainless steel) door panel sets are available. For models with a water dispenser, the stainless steel door panel sets are required. For complete integration of non-Water dispensing models a custom door panel set is required. Door handle kits are available as an accessory for custom door panels.



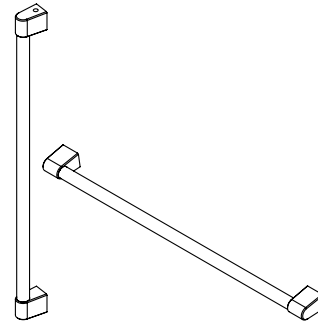
Door panel set:
Non-Water dispensing door panel (1)
Drawer panel (1)

Part numbers:
F&P: RD3680(L/R) or RD3684(L/R)
DCS: RD3680(L/R)C or RD3684(L/R)C



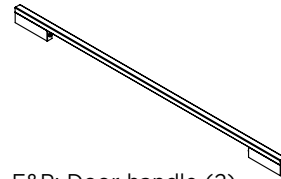
Door panel set:
Ice & Water door panel (1)
Drawer panel (1)

Part numbers:
F&P: RD3680RU or RD3684RU
DCS: RD3680RUC or RD3684RUC



DCS: Door handle (1)
DCS: Drawer handle (1)

OR



F&P: Door handle (2)



M5 x 25 pan head
socket screw
(8)

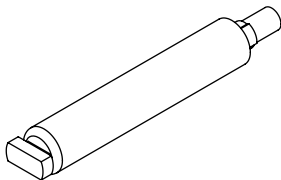


M5 x 14 Mush Phillips SS
(34)

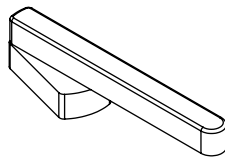
Water fittings - Included with the standard appliance



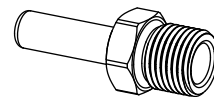
Collet locking key
(1)



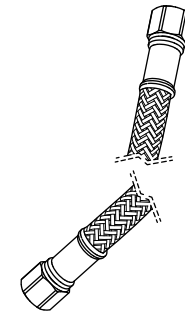
Water filter cartridge (1)
Part number: 81099



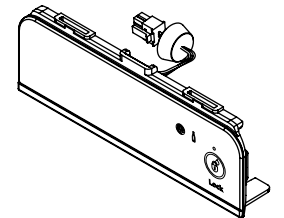
Filter cartridge tool
(1)



1/4" (6mm) Adaptor
(1)



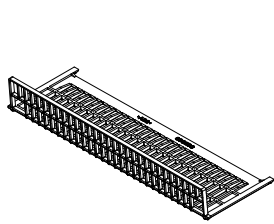
1/4" (6mm) comp.
Stainless Steel braided hose
(1)



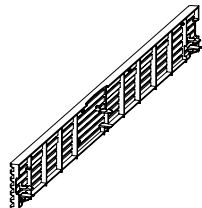
External display module (1)
(included with RS36W80U
and RS36W80UC DCS
standard appliance)

3 COMPONENTS LIST

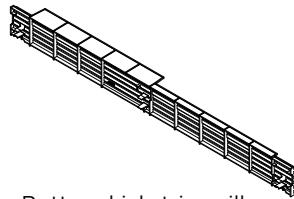
Product hardware - Included with standard appliance.



Kickstrip filter
(1)



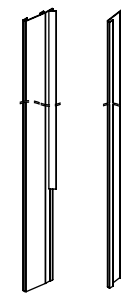
Top kickstrip grille
(1)



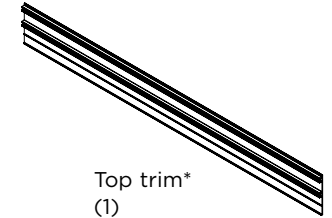
Bottom kickstrip grille
(1)



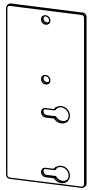
Stainless steel toe kick
(1)



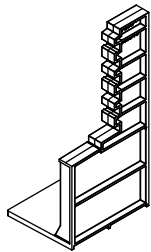
Side trim
(2)



Top trim*
(1)



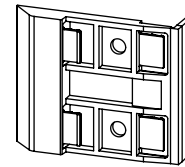
Top trim joining bracket*
(2)



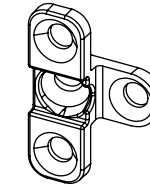
Air divider
(1)



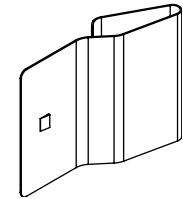
Screw cover
(4)



Side trim bracket
(6)



Fixing bracket
(4)



Spring Clip (6)
(for Side trim attachment:
Flexible spring clip method
only)



M5 nut
(4)



M5 x 8 pan head
Phillips screw
(4)



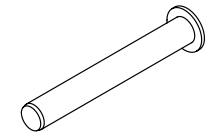
M5 x 8 countersunk
Phillips screw
(4)



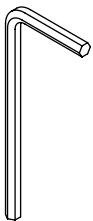
#8 x 5/8" (16mm)
pan head screw
(3)



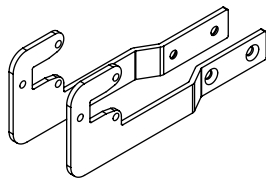
#8 x 19 twin thread screw
(8)



Hinge limiting pin
(1)



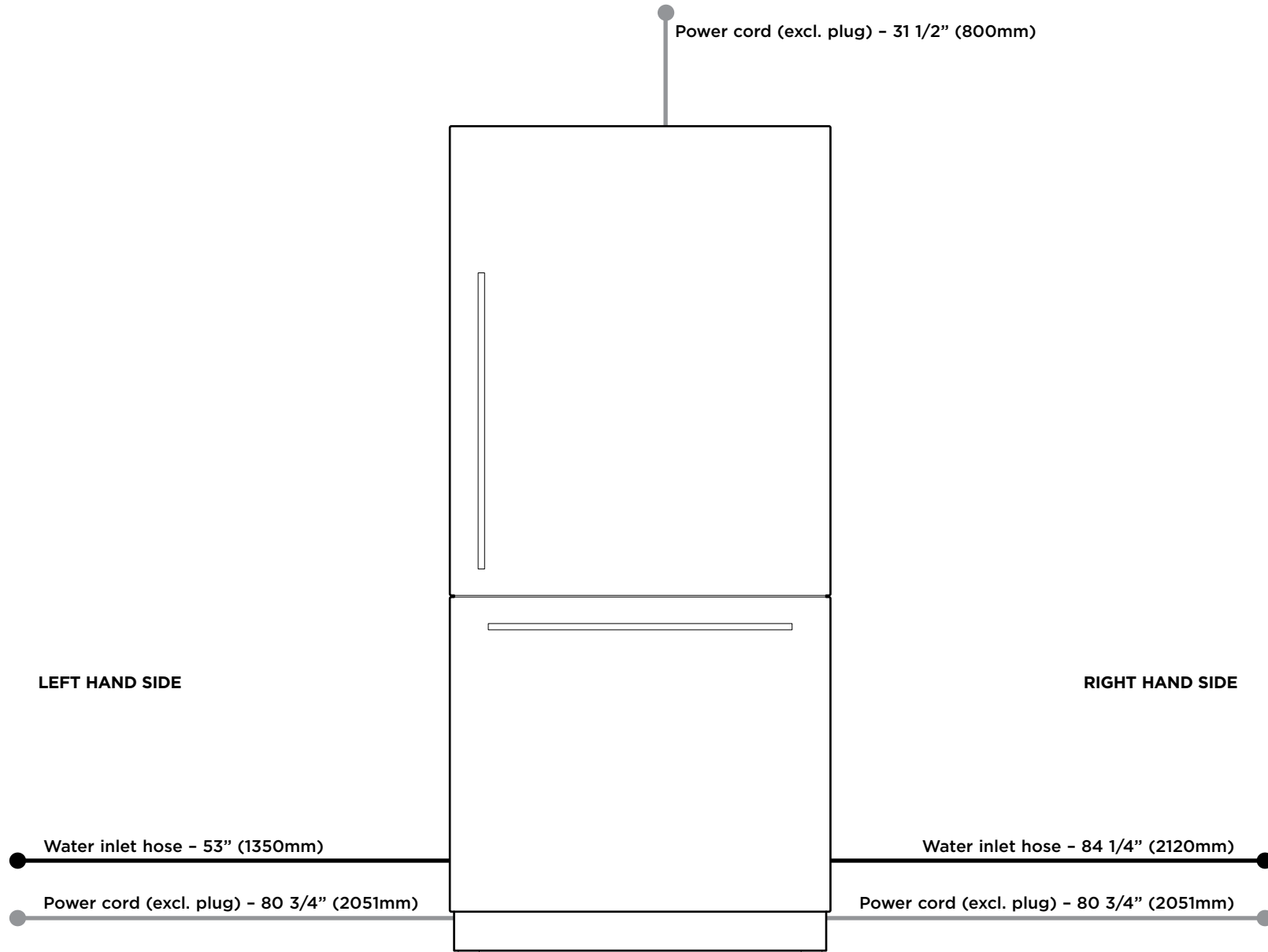
Allen key
(1)



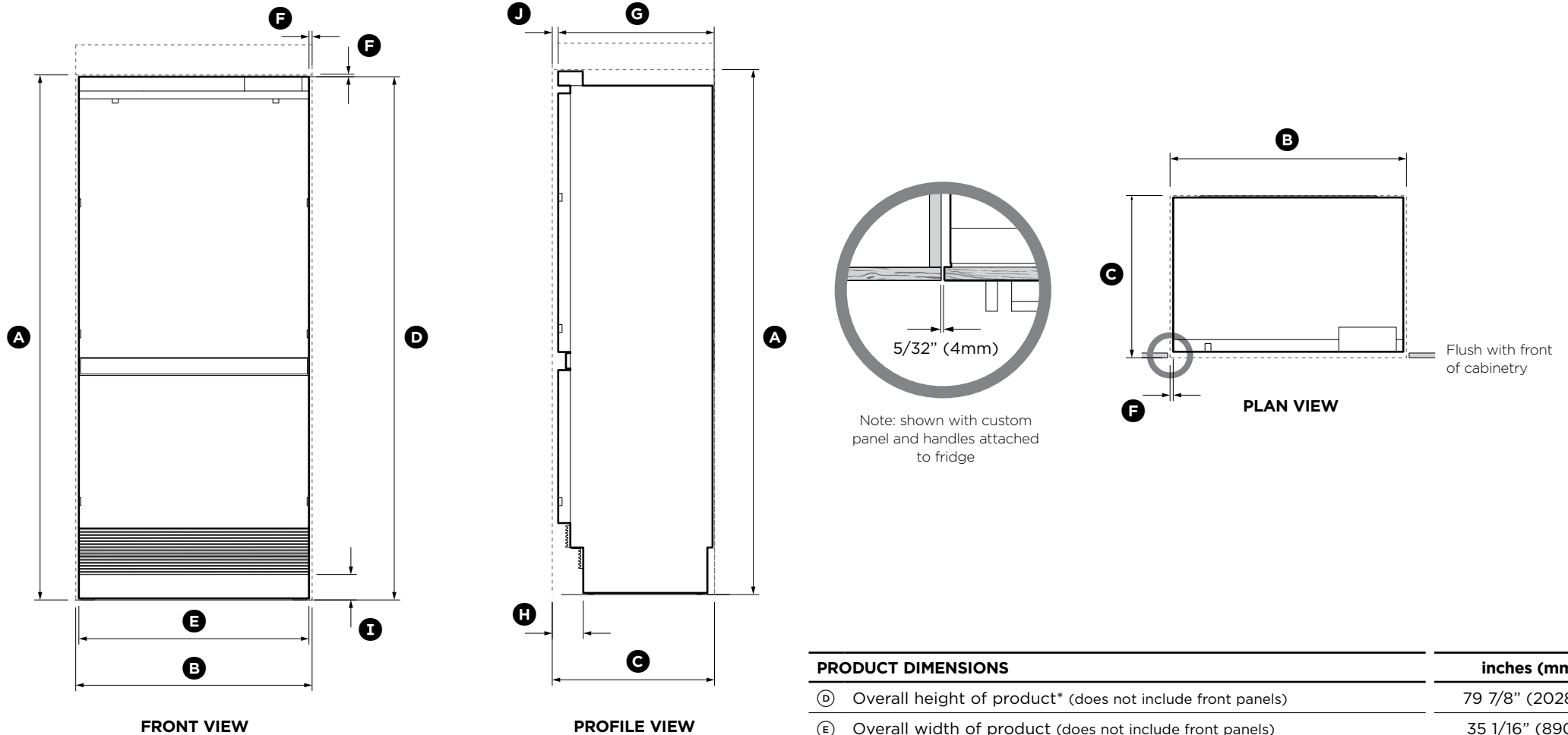
Side base bracket
(2)

*To be used when finished enclosure is 84" (2134mm).

④ **MAXIMUM DISTANCE OF HOSE AND POWER CORD**



5 PRODUCT AND CAVITY DIMENSIONS



CAVITY DIMENSIONS	inches (mm)
Ⓐ Overall height of cavity	80 - 84" (2032 - 2134)
Ⓑ Overall width of cavity	36" (914)
Ⓒ Overall depth of cavity*	24 3/4" (629)

Total front panel width with required gaps at sides = 36" (914mm). (Refer to 'Custom door panel dimensions' section - panel width + 2 x Ⓕ cabinetry gaps).

* Assumes a door panel thickness of 3/4" (19mm).

PRODUCT DIMENSIONS	inches (mm)
Ⓓ Overall height of product* (does not include front panels)	79 7/8" (2028)
Ⓔ Overall width of product (does not include front panels)	35 1/16" (890)
Ⓕ Minimum cabinetry gap clearance from edge of custom panels**	5/32" (4)
Ⓖ Overall depth of product (excl. front door panels)	23 3/4" (603)
Ⓗ Depth of toe kick (measured from front of door panels***)	4 3/4" (120)
Ⓙ Height of stainless steel toe kick****	4" (102)
Ⓚ Depth of product front panels (excludes handles)***	3/4" (19)

* Includes mounted feet.

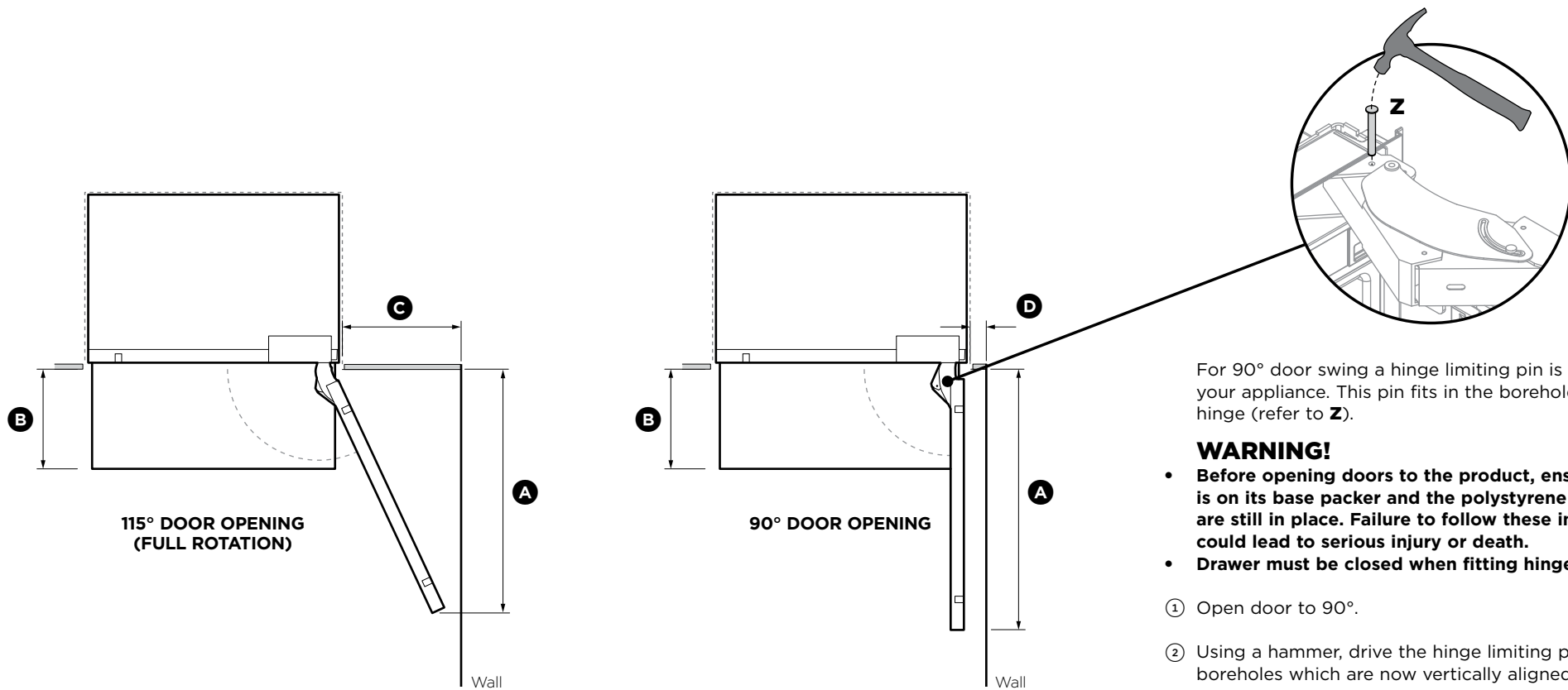
** Refer to 'Custom door panel dimensions' section.

*** Door panels to be manufactured and fitted by cabinetmaker, maximum thickness 3/4" (19mm).

**** Stainless steel toe kick provided with appliance. Alternatively customers can supply their own toe kick, height 4 - 6" (102 - 152mm).

RS36W80RJ or RS36W80RJC DCS models shown only.
When designing custom door panels, these are only available for non-Water dispensing models.

5 PRODUCT AND CAVITY DIMENSIONS



For 90° door swing a hinge limiting pin is supplied with your appliance. This pin fits in the boreholes of the top hinge (refer to **Z**).

WARNING!

- Before opening doors to the product, ensure the product is on its base packer and the polystyrene stability blocks are still in place. Failure to follow these instructions could lead to serious injury or death.
- Drawer must be closed when fitting hinge limiting pin.

- ① Open door to 90°.
- ② Using a hammer, drive the hinge limiting pin through the boreholes which are now vertically aligned.

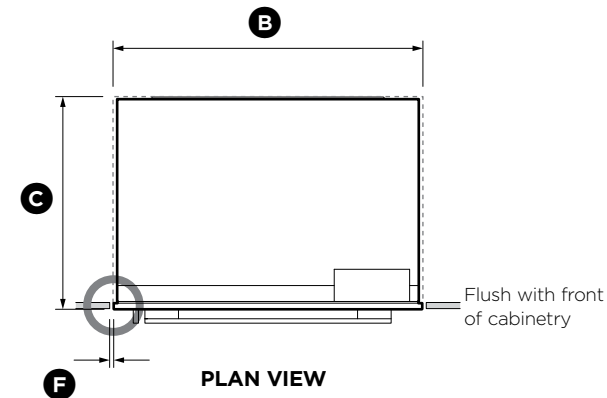
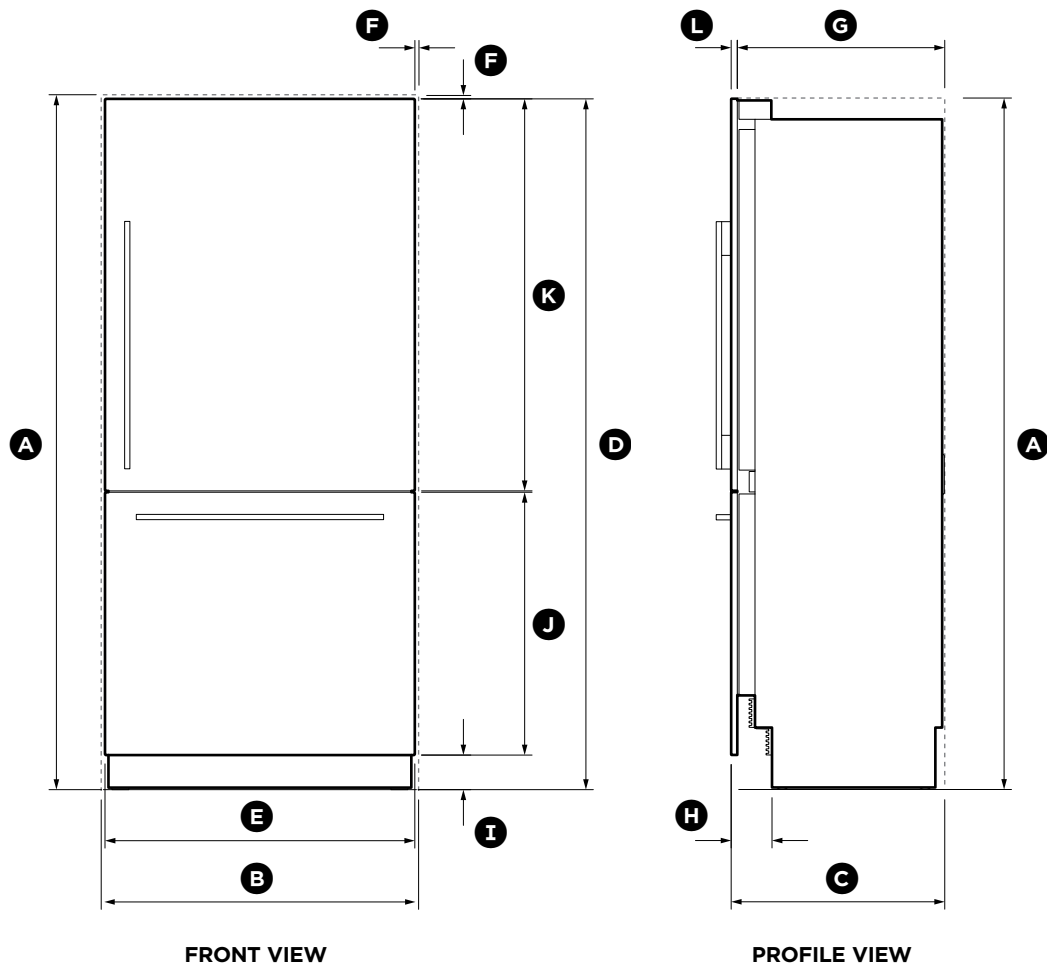
DOOR OPENING AND CLEARANCE DIMENSIONS

	inches (mm)
Ⓐ Depth of door (widest opening) measured from front of door	37" (940)
Ⓑ Depth of drawer (open) measured from front of cabinetry*	14 3/16" (360)
Ⓒ Minimum door clearance** to adjacent wall* (115° - full internal access)	16 1/8" (410)
Ⓓ Minimum door clearance** to adjacent wall* (90° - reduced internal access)	4 3/8" (110)

* Does not include the custom door panels or handles to be manufactured and fitted by cabinetmaker.

** Measured from front cabinetry edge.

5 PRODUCT AND CAVITY DIMENSIONS - WITH RD3680 OR RD3680C DOOR PANEL SET



CAVITY DIMENSIONS	inches (mm)
Ⓐ Overall height of cavity	80" (2032)
Ⓑ Overall width of cavity	36" (914)
Ⓒ Overall depth of cavity	24 3/4" (629)

Total front panel width with required gaps at sides = 36" (914mm) (Ⓔ product width + 2 x Ⓕ cabinetry gaps).
 Height of front panels with required gap above = 80" (2032mm) (Ⓖ product height + Ⓖ cabinetry gap).

PRODUCT DIMENSIONS	inches (mm)
Ⓓ Overall height of product*	79 7/8" (2028)
Ⓔ Overall width of product	35 11/16" (906)
Ⓕ Minimum cabinetry gap clearance from edge of product	5/32" (4)
Ⓖ Overall depth of product (excl. front door panels)	23 3/4" (603)
Ⓗ Depth of stainless steel toe kick (measured from front of door panels)	4 3/4" (120)
Ⓘ Height of stainless steel toe kick**	4" (102)
Ⓙ Height of bottom drawer panel	30 3/8" (772)
Ⓚ Height of top door panel	45 5/16" (1150)
Ⓛ Depth of product front panels (excludes handles)***	3/4" (19)

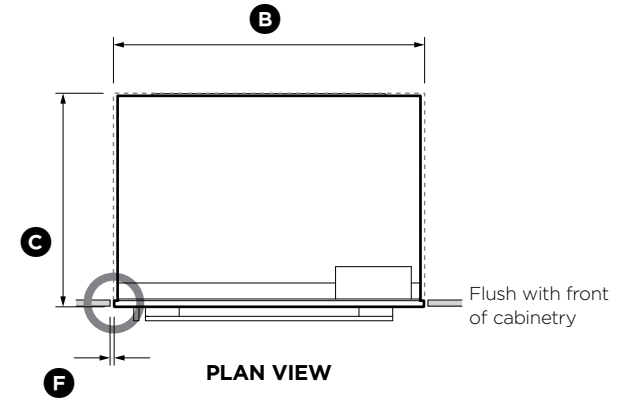
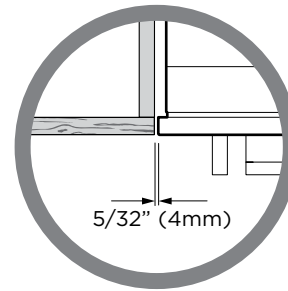
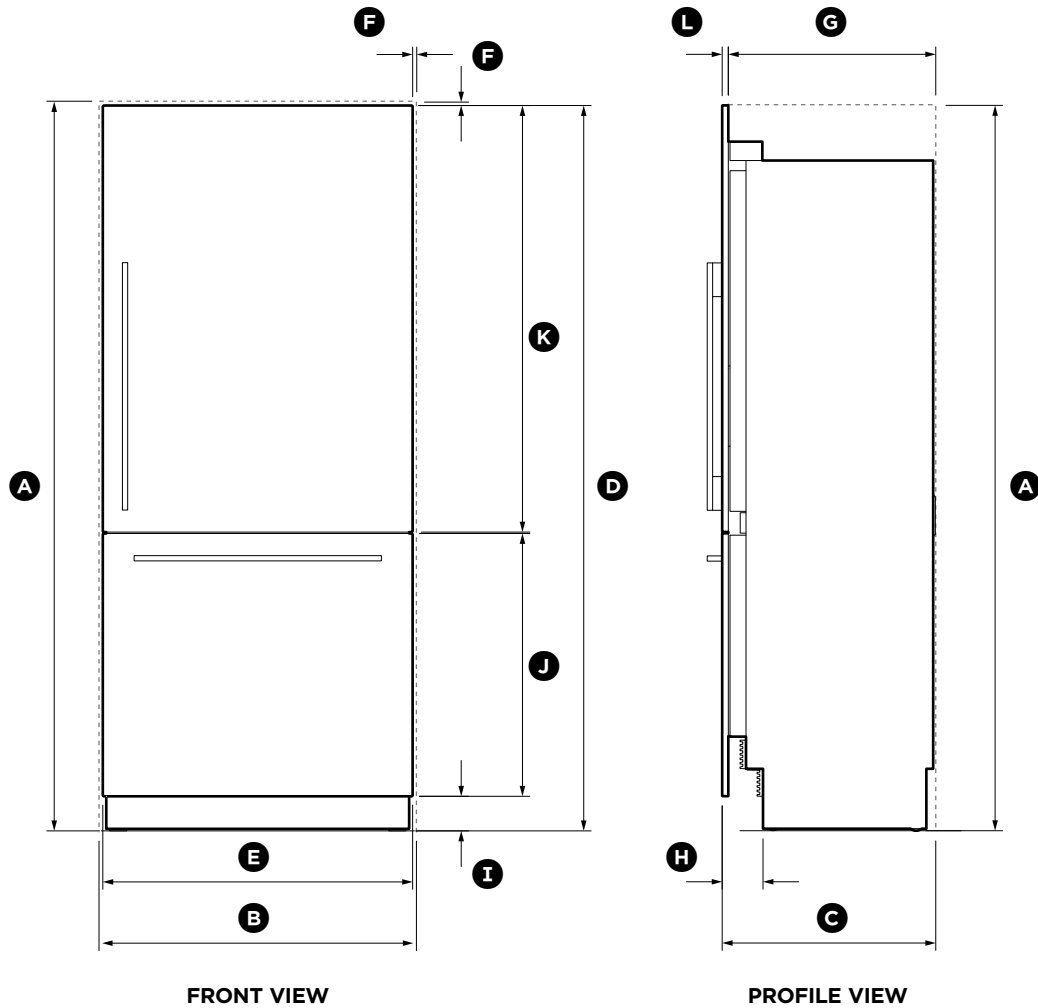
* Includes mounted feet.

** Alternatively customers can supply their own toe kick, height 4 - 6" (102 - 152mm).

*** Optional Fisher & Paykel EZKleen stainless steel or DCS stainless steel front panels - Model no. RD3680(R/L) or RD3680(R/L)C (non-Water dispensing model) and model no. RD3680RU or RD3680RUC (Ice & Water model).

RS36W80RJ or RS36W80RJC models shown with RD3680 or RD3680RC door panels.

5 PRODUCT AND CAVITY DIMENSIONS - WITH RD3684 AND RD3684C DOOR PANEL SET



CAVITY DIMENSIONS	inches (mm)
Ⓐ Overall height of cavity	84" (2134)
Ⓑ Overall width of cavity	36" (914)
Ⓒ Overall depth of cavity	24 3/4" (629)

Total front panel width with required gaps at sides = 36" (914mm) (Ⓔ product width + 2 x Ⓕ cabinetry gaps).
 Height of front panels with required gap above = 84" (2134mm) (Ⓓ product height + Ⓕ cabinetry gap).

PRODUCT DIMENSIONS	inches (mm)
Ⓓ Overall height of product*	83 7/8" (2130)
Ⓔ Overall width of product	35 11/16" (906)
Ⓕ Minimum cabinetry gap clearance from edge of product	5/32" (4)
Ⓖ Overall depth of product (excl. front door panels)	23 3/4" (603)
Ⓗ Depth of stainless steel toe kick (measured from front of door panels)	4 3/4" (120)
Ⓘ Height of stainless steel toe kick**	4" (102)
Ⓙ Height of bottom drawer panel	30 3/8" (772)
Ⓚ Height of top door panel	49 5/16" (1252)
Ⓛ Depth of product front panels (excludes handles)***	3/4" (19)

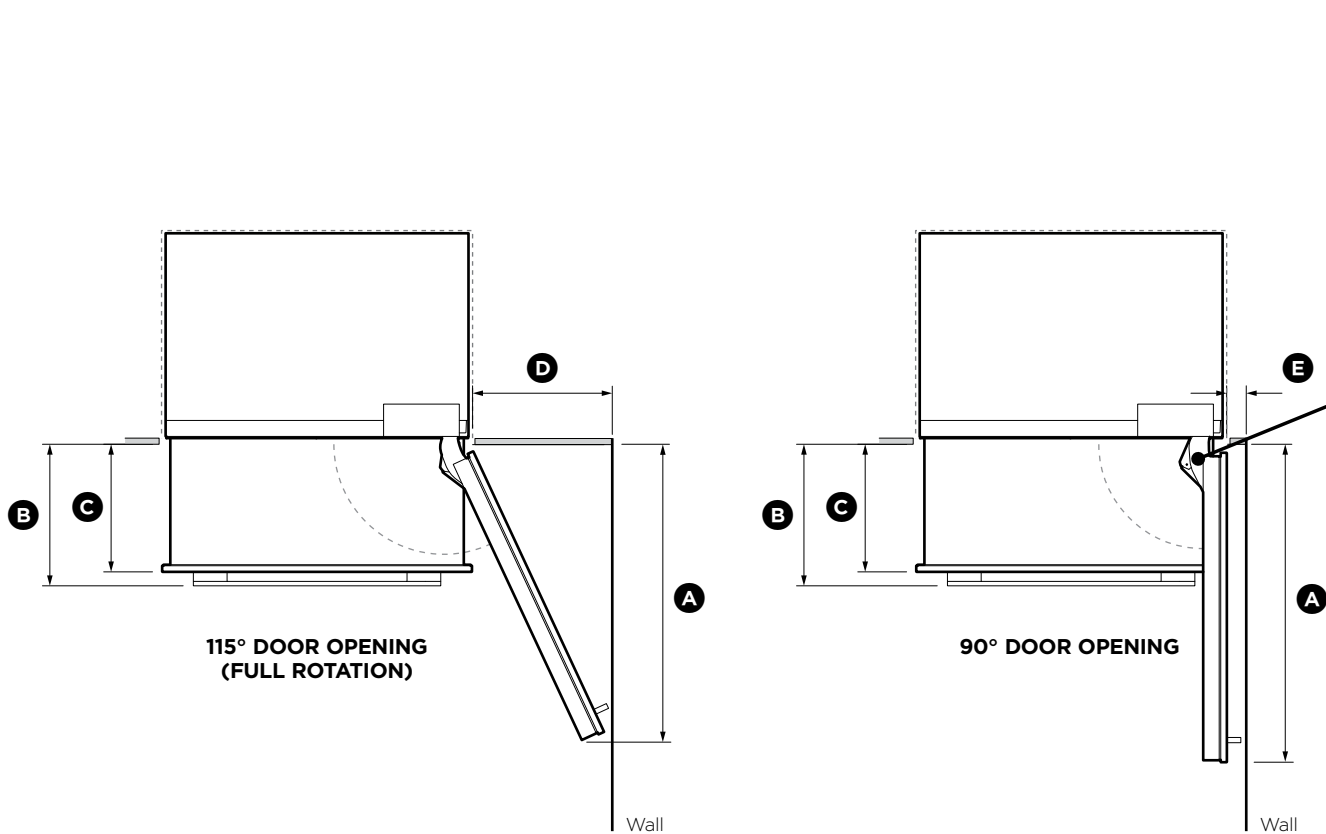
* Includes mounted feet.

** Alternatively customers can supply their own toe kick, height 4 - 6" (102 - 152mm).

*** Optional Fisher & Paykel EZKleen stainless steel or DCS stainless steel front panels - Model no. RD3684(R/L) or RD3684(R/L)C (non-Water dispensing model) and model no. RD3684RU or RD3684RUC (Ice & Water model).

RS36W80RJ or RS36W80RJC models shown with RD3684R or RD3684RC door panels.

5 PRODUCT AND CAVITY DIMENSIONS - WITH RD3680/RD3684 DOOR PANEL SET



For 90° door swing a hinge limiting pin is supplied with your appliance. This pin fits in the boreholes of the top hinge (refer to **Z**).

WARNING!

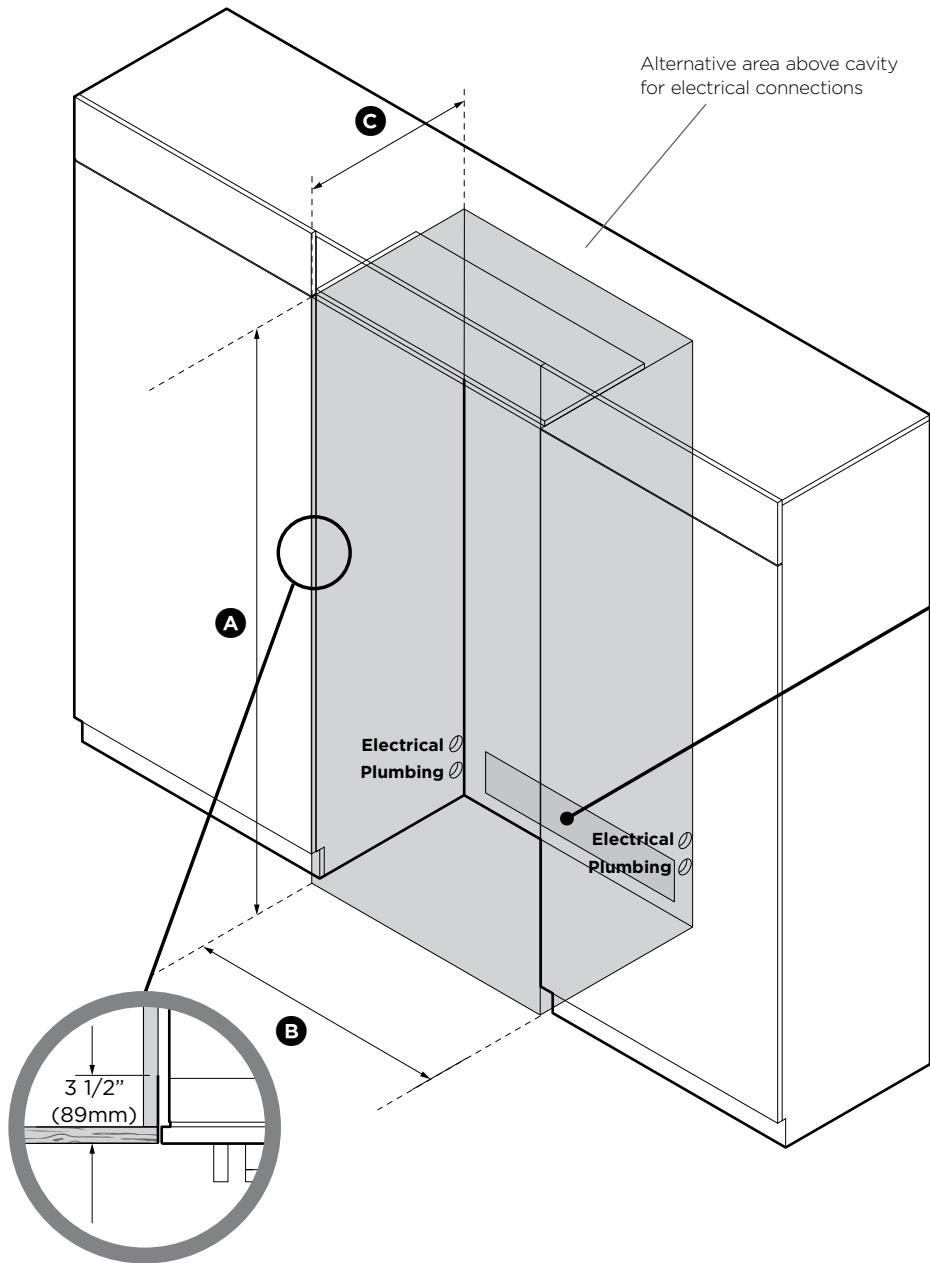
- Before opening doors to the product, ensure the product is on its base packer and the polystyrene stability blocks are still in place. Failure to follow these instructions could lead to serious injury or death.
- Drawer must be closed when fitting hinge limiting pin.

- ① Open door to 90°.
- ② Using a hammer, drive the hinge limiting pin through the boreholes which are now vertically aligned.

DOOR OPENING AND CLEARANCE DIMENSIONS	RS36W80RUC RS36W80(R/L)JC	RS36W80RU RS36W80(R/L)J
	inches (mm)	inches (mm)
Ⓐ Depth of door (widest opening) measured from front of door	37" (940)	37" (940)
Ⓑ Depth of drawer (open) measured from front of drawer, including handle	16 1/2" (420)	15 3/4" (400)
Ⓒ Depth of drawer (open) measured from front of drawer, excluding handle	14 3/16" (360)	14 3/16" (360)
Ⓓ Minimum door clearance to adjacent wall* (115° - full internal access)	16 15/16" (430)	16 1/8" (410)
Ⓔ Minimum door clearance to adjacent wall* (90° - reduced internal access)	5 1/8" (130)	4 3/8" (110)

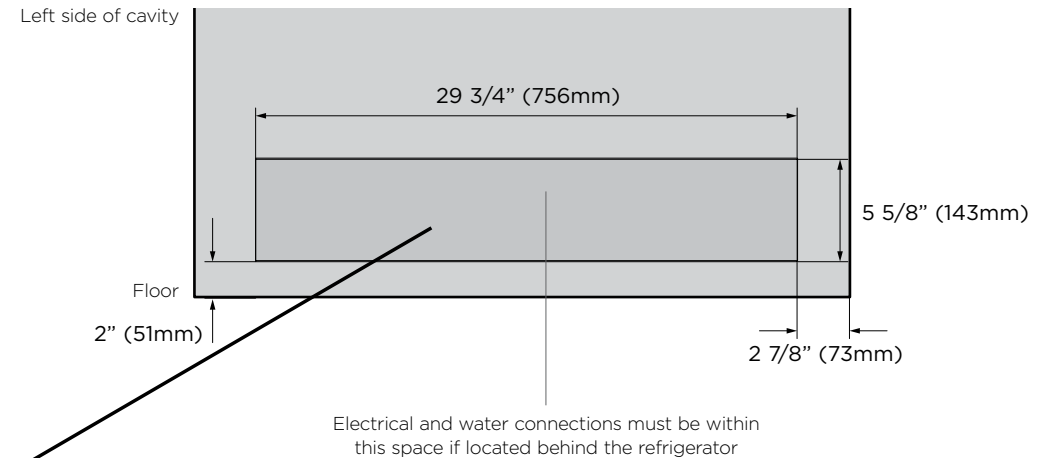
* Measured from front cabinetry edge.

6 CAVITY PREPARATIONS



Frameless: Finished return top and sides

For integrated installation, ensure dimensions of finished return dimensions are as shown.



REAR OF CAVITY

IMPORTANT!

For ease of installation, ensure cavity width is consistent top to bottom and height is consistent left to right.

CAVITY DIMENSIONS	inches (mm)
Ⓐ Overall height of cavity	80/84" (2032/2134)
Ⓑ Overall width of cavity	36" (914)
Ⓒ Overall depth of cavity	24 3/4" (629)

ELECTRICAL SPECIFICATIONS

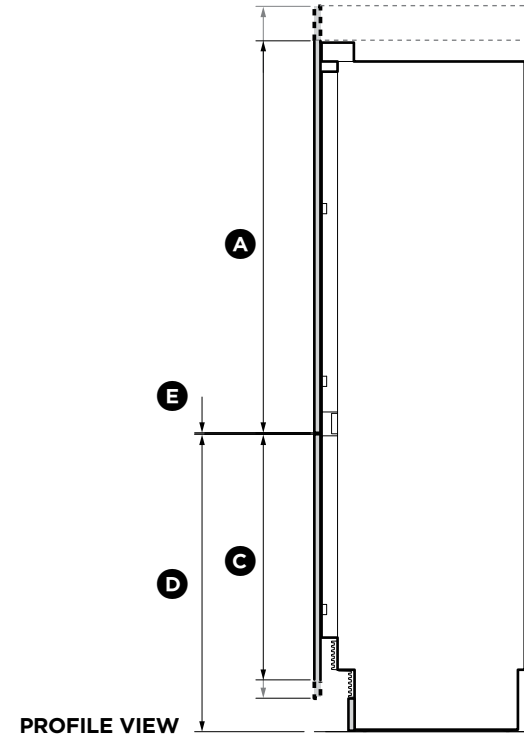
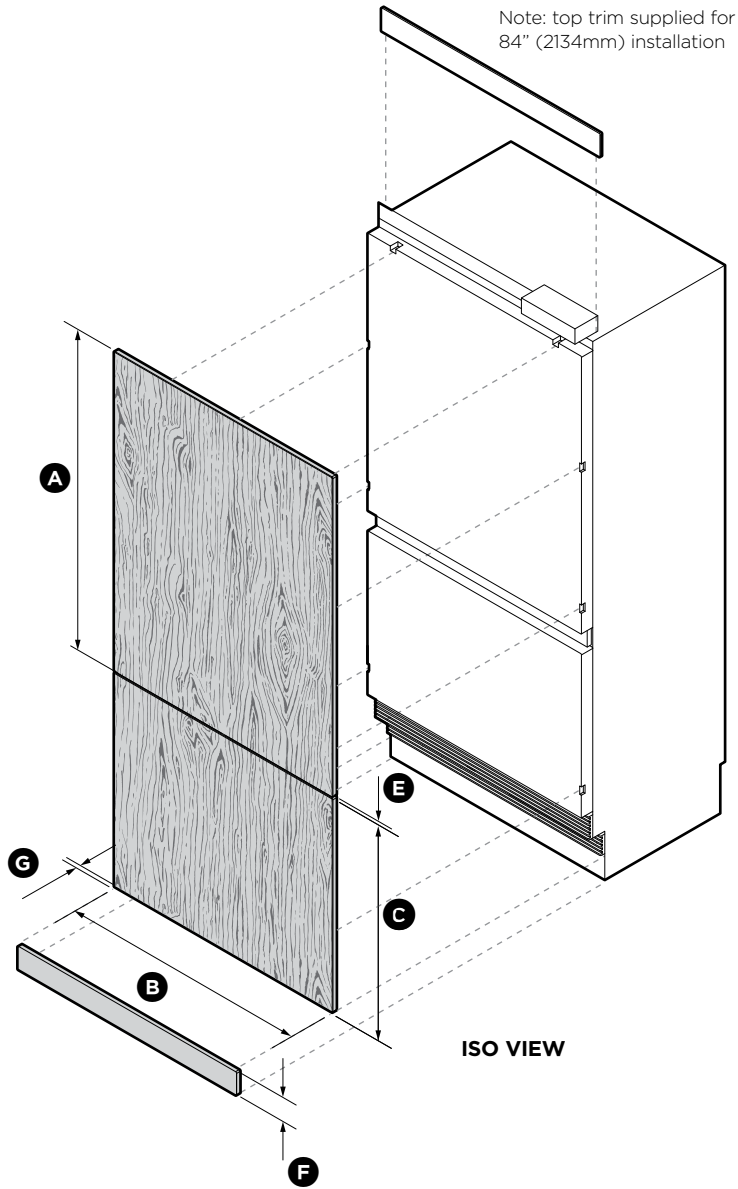
Supply	115VAC, 60Hz
Service	10 amp circuit

PLUMBING SPECIFICATIONS

Supply	1/4" (6mm) comp. stainless steel braided hose
Pressure	min 22psi (150kPa) max 120psi (827kPa) @ 68°F (20°C)

Note: electrical connection can be located in an adjacent cabinet to either side of the fridge or above the fridge cavity.

7 CUSTOM DOOR PANEL DIMENSIONS



RS36W80RJ or RS36W80RJC models shown only.
When designing custom door panels, these are only available for non-Water dispensing models.

CUSTOM PANEL DIMENSIONS		RS36W80J RS36W80JC
		inches (mm)
Ⓐ	Height of top door panel	45 5/16 - 49 5/16" (1150 - 1252)
Ⓑ	Width of top door and bottom drawer panel	35 11/16" (906)
Ⓒ	Height of bottom drawer panel*	28 3/8 - 30 3/8" (722 - 772)
Ⓓ	Height from bottom of product to top of bottom drawer panel	34 3/8" (874)
Ⓔ	Gap between top door panel and bottom drawer panel	5/32" (4)
Ⓕ	Height of toe kick panel*	4 - 6" (102 - 152)
Ⓖ	Depth of custom panels	min. 5/8, max. 3/4" (min. 16, max. 19)
	Maximum weight of top door panel**	44 lbs (20kg)
	Maximum weight of bottom drawer panel**	24 1/4 lbs (11kg)

Custom door panels to be manufactured and fitted by cabinetmaker.

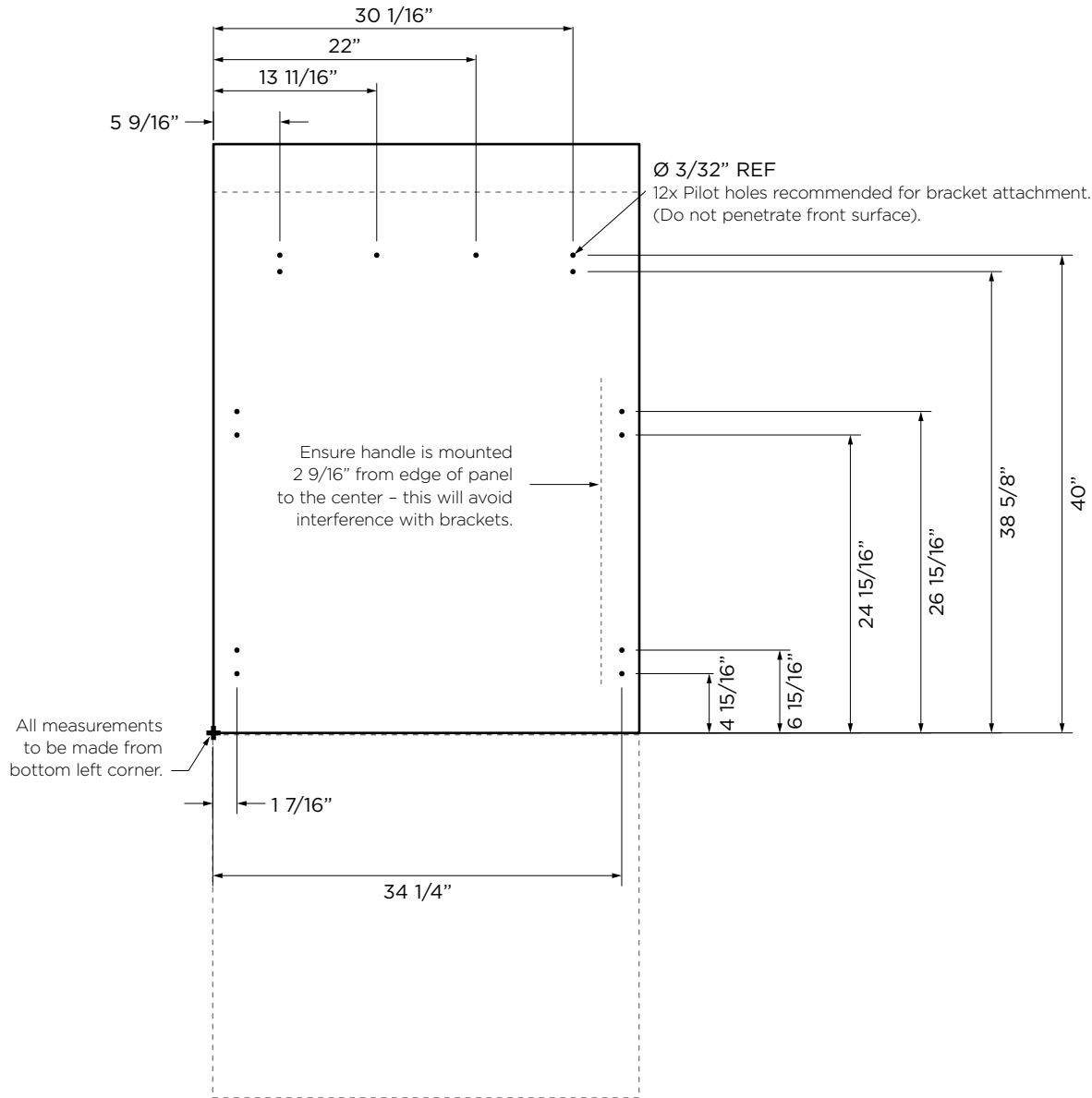
Door handle kit is available as an optional accessory.

* Stainless steel toe kick, height 4" (102mm) is supplied with the appliance. For integrated installation, a custom toe kick 4 - 6" (102 - 152mm) can be manufactured and fitted by cabinetmaker. The bottom grille can be reduced to allow for a higher toe kick. Adjust the height of the bottom drawer panel accordingly.

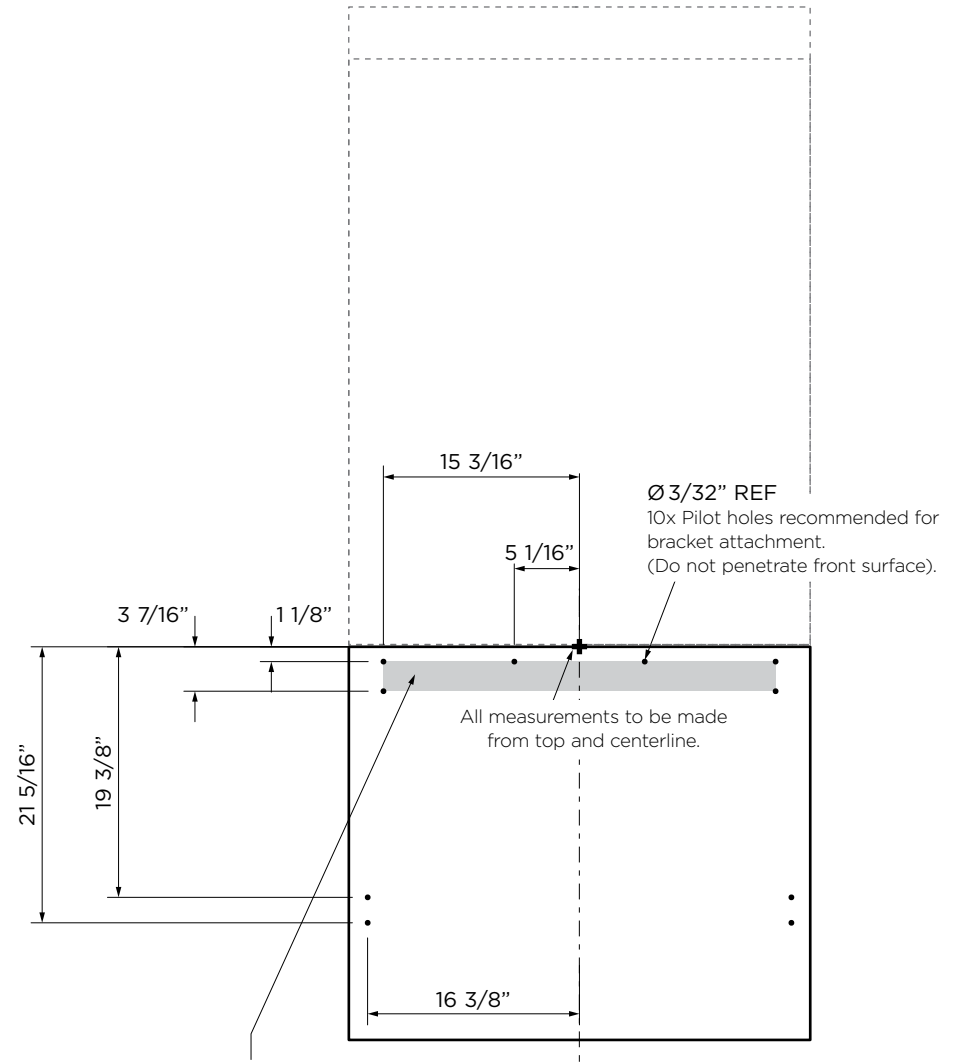
** Includes weight of handle.

⑦ CUSTOM DOOR PANEL DIMENSIONS

The drawings below apply to non-Water dispensing models only (RS36W80(R/L)J/RS36W80(R/L)JC). Dimensions apply for the preparation and installation of custom door panels. For Dwg and Dxf files of the below panel preparation download the folder on <http://thekitchenools.fisherpaykel.com> or <http://www.dcsappliances.com/designers-architects/>



TOP PANEL - REAR VIEW



Cutouts are located in attachment bracket for Fisher & Paykel and DCS handles only. If locating custom handle in the shaded area shown above, ensure handle screw heads are countersunk into back of panel to avoid interference with hanging bracket.

BOTTOM PANEL - REAR VIEW

8 80" (2032mm) CAVITY - ATTACH ANTI-TIP BRACKET

IMPORTANT!

Safety requires refrigerators be stable when door and/or drawer, are open. The anti-tip bracket and fittings supplied must be fitted to the wall of the finished enclosure to withstand a 220.5lb (100kg) load. This will prevent the possibility of the appliance tipping forward, when door and/or drawer, are open.

WARNING!

Failure to follow instructions can lead to serious injury or death.

When fastening with masonry plugs and/or screws:

- Ensure the screws avoid electrical, gas and water conduits.
- Ensure the surface the bracket is fastened to withstands a 220.5lb (100kg) load.
- Ensure light-weight masonry material such as cinder block and new concrete (no curing time) are not used in installation.
- Do not use metallic materials that may corrode, stain and/or damage the enclosure.

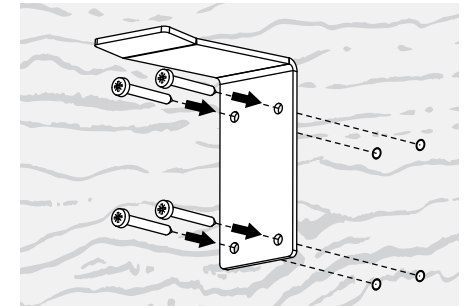
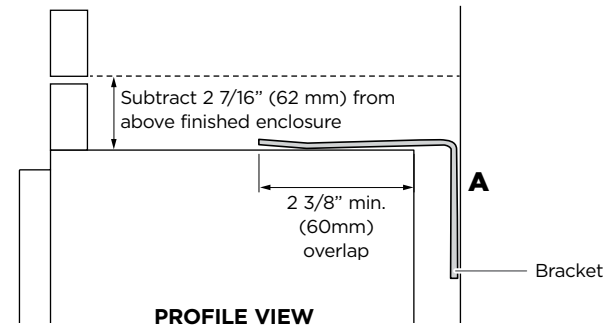
For 80" (2032mm) cavity installation

Wooden/plaster board wall installation

- ① Project the end of the above finished enclosure to the center of the back wall and subtract $2 \frac{7}{16}$ " (62mm). This will locate the contact surface between the bracket and the appliance (refer to **A**).

Ensure a structural beam/wall stud closest to the center of the wall enclosure is located.

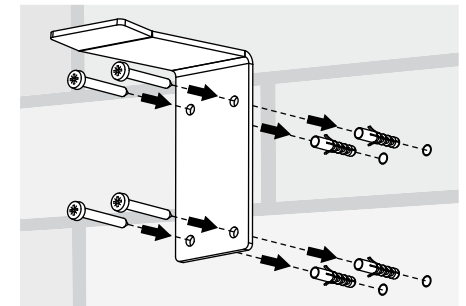
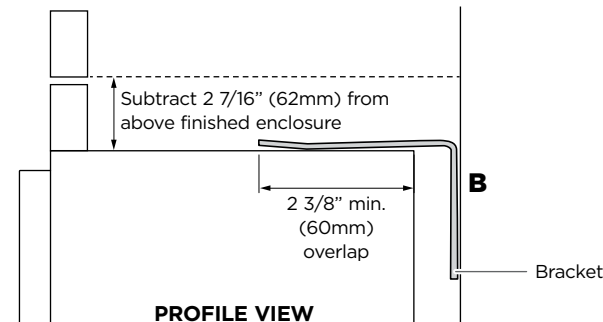
- ② Fix bracket to the wall with screws x4 (#10 x 40 pan head Phillips screws). Ensure screws hold tight and the bracket overlaps the appliance when it is positioned ($2 \frac{3}{8}$ " min. (60mm)) for a secure hold.



Solid wall installation

- ① Project the end of the above finished enclosure to the center of the back wall and subtract $2 \frac{7}{16}$ " (62mm). This will locate the contact surface between the bracket and the appliance (refer to **B**).

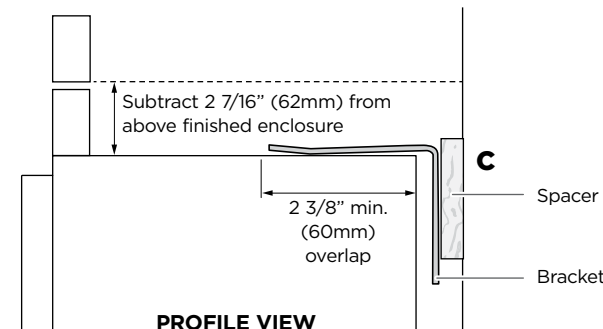
- ② Mark screw locations to drill $\varnothing 1/4"$ x $1 \frac{3}{8}"$ ($\varnothing 6\text{mm}$ x 35mm) deep holes. Hammer masonry plugs into the wall until flush x4. Fix bracket to the wall with screws x4 (#10 x 40 pan head Phillips screws). Ensure screws hold tight.



Spacer installation

If a minimum $2 \frac{3}{8}$ " (60mm) overlap cannot be achieved we recommend fastening a solid spacer (wooden beam etc) behind the bracket.

- ① Ensure the length of the spacer corresponds to the enclosure's width. Always secure the spacer to existing studs on the enclosure wall (refer to **C**).
- ② Fix bracket to the spacer with screws x4 (#10 x 40 pan head Phillips screws). Ensure screws hold tight and the bracket overlaps the appliance when it is positioned ($2 \frac{3}{8}$ " min. (60mm)) for a secure hold.



8 84" (2134mm) CAVITY - ATTACH ANTI-TIP BRACKET

IMPORTANT!

Safety requires refrigerators be stable when door and/or drawer, are open. The anti-tip bracket and fittings supplied must be fitted to the wall of the finished enclosure to withstand a 220.5lb (100kg) load. This will prevent the possibility of the appliance tipping forward, when door and/or drawer, are open.

WARNING!

Failure to follow instructions can lead to serious injury or death.

When fastening with masonry plugs and/or screws:

- Ensure the screws avoid electrical, gas and water conduits.
- Ensure the surface the bracket is fastened to withstands a 220.5lb (100kg) load.
- Ensure light-weight masonry material such as cinder block and new concrete (no curing time) are not used in installation.
- Do not use metallic materials that may corrode, stain and/or damage the enclosure

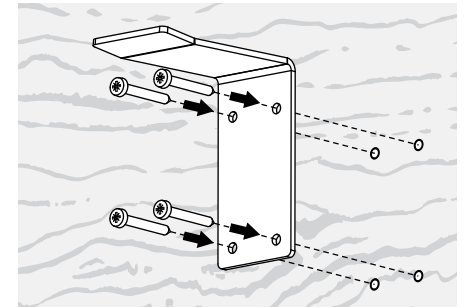
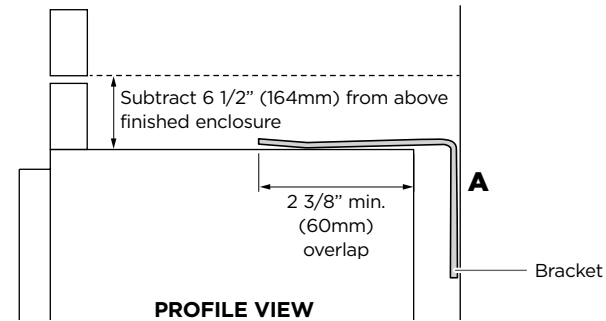
For 84" (2134mm) cavity installation

Wooden/plaster board wall installation

- ① Project the end of the above finished enclosure to the center of the back wall and subtract 6 1/2" (164mm). This will locate the contact surface between the bracket and the appliance (refer to **A**).

Ensure a structural beam/wall stud closest to the center of the wall enclosure is located.

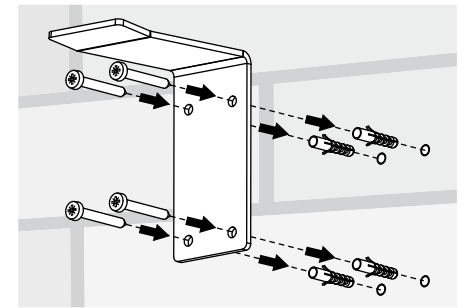
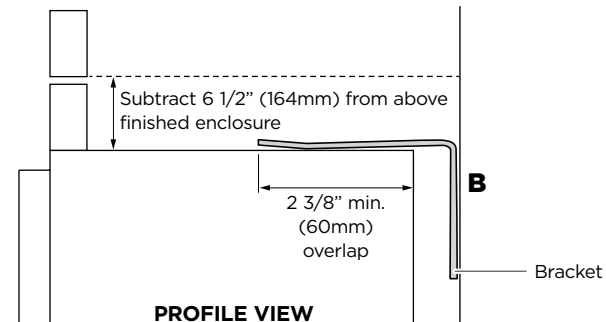
- ② Fix bracket to the wall with screws x4 (#10 x 40 pan head Phillips screws). Ensure screws hold tight and the bracket overlaps the appliance when it is positioned (2 3/8" min. (60mm)) for a secure hold.



Solid wall installation

- ① Project the end of the above finished enclosure to the center of the back wall and subtract 6 1/2" (164mm). This will locate the contact surface between the bracket and the appliance (refer to **B**).

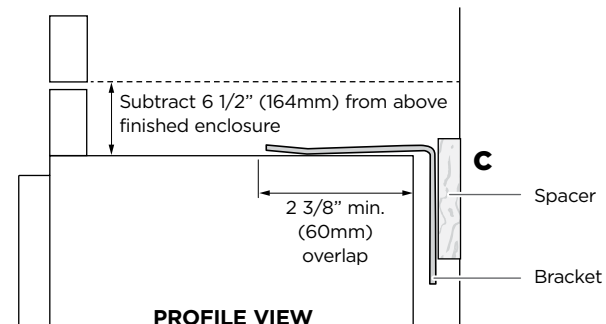
- ② Mark screw locations to drill $\varnothing 1/4" \times 1 3/8"$ ($\varnothing 6\text{mm} \times 35\text{mm}$) deep holes. Hammer masonry plugs into the wall until flush x4. Fix bracket to the wall with screws x4 (#10 x 40 pan head Phillips screws). Ensure screws hold tight.



Spacer installation

If a minimum 2 3/8" (60mm) overlap cannot be achieved we recommend fastening a solid spacer (wooden beam etc) behind the bracket.

- ① Ensure the length of the spacer corresponds to the enclosure's width. Always secure the spacer to existing studs on the enclosure wall (refer to **C**).
- ② Fix bracket to the spacer with screws x4 (#10 x 40 pan head Phillips screws). Ensure screws hold tight and the bracket overlaps the appliance when it is positioned (2 3/8" min. (60mm)) for a secure hold.

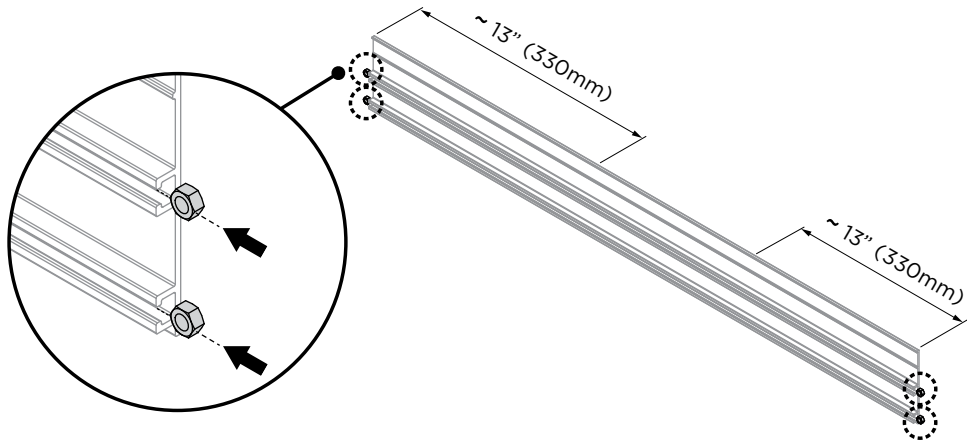


8 84" (2134mm) CAVITY - ATTACH TOP TRIM

WARNING!

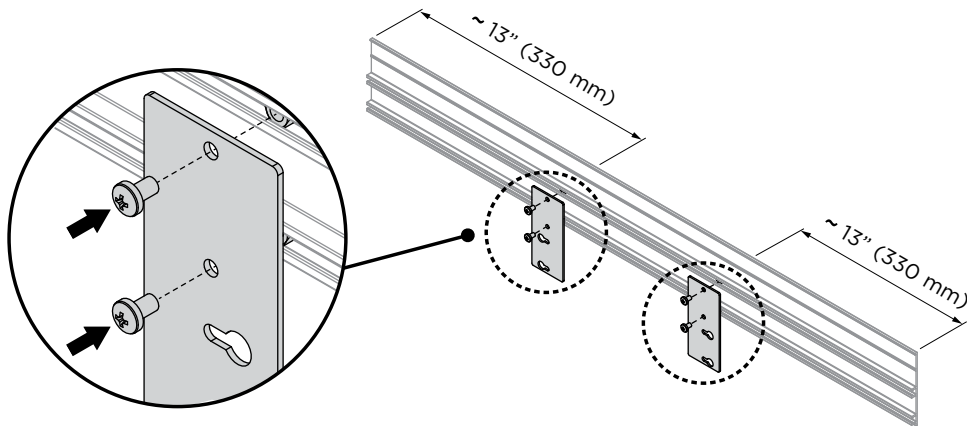
Take care when working with the appliance outside of the finished enclosure, as the appliance is not secured and has the possibility of tipping forward. Tipping of appliance can lead to serious injury or death.

- ① Ensure all external packaging material is removed from the appliance before installation.



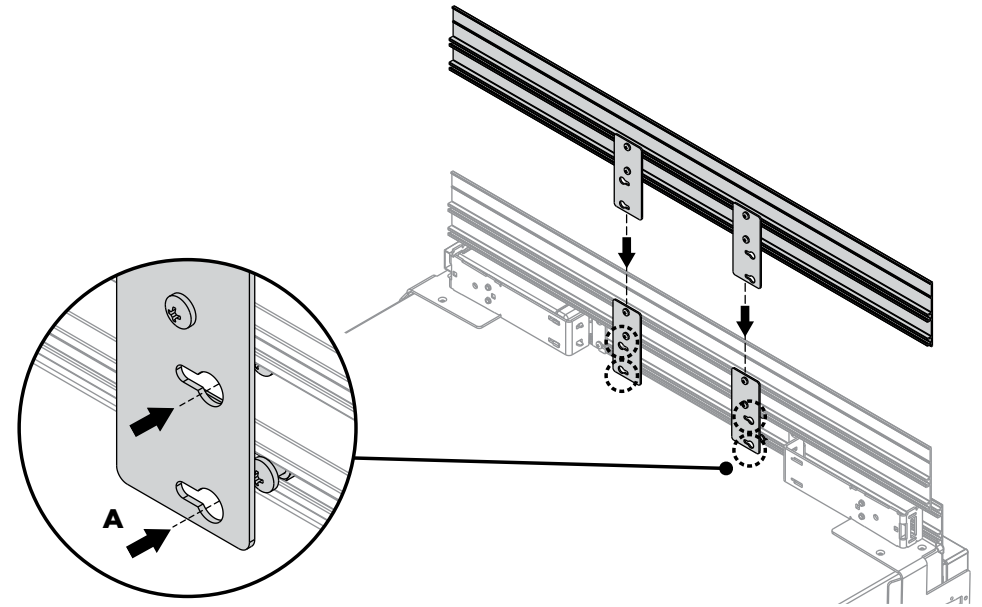
- ② On the right side of the top trim, insert M5 nuts x2 onto the top and bottom slide. Slide nuts towards the center of the trim, ~ 13" (330mm).

Repeat this process on the opposite side.

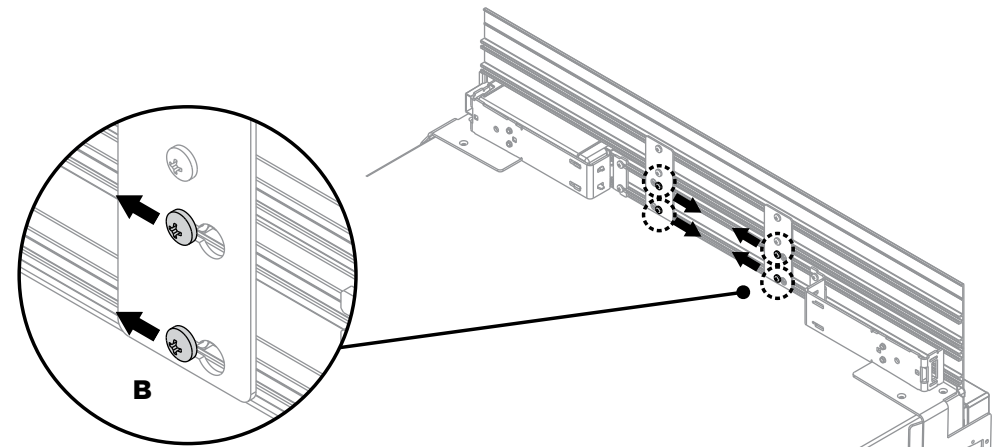


- ③ Position joining brackets over the M5 nuts. Thread screws x2 (M5 x 8 pan head Phillips screws) through bracket hole and secure.

Repeat this process on the opposite side.



- ④ At the top of the appliance, place the assembled top trim behind the existing appliance trim. Bring the top trim forward and insert screw heads through the key holes of the joining brackets (refer to **A**).



- ⑤ Slide the screws located on the appliance sideways towards the narrow side of the key holes on the joining bracket, and tighten screws to lock top trim in position (refer to **B**).

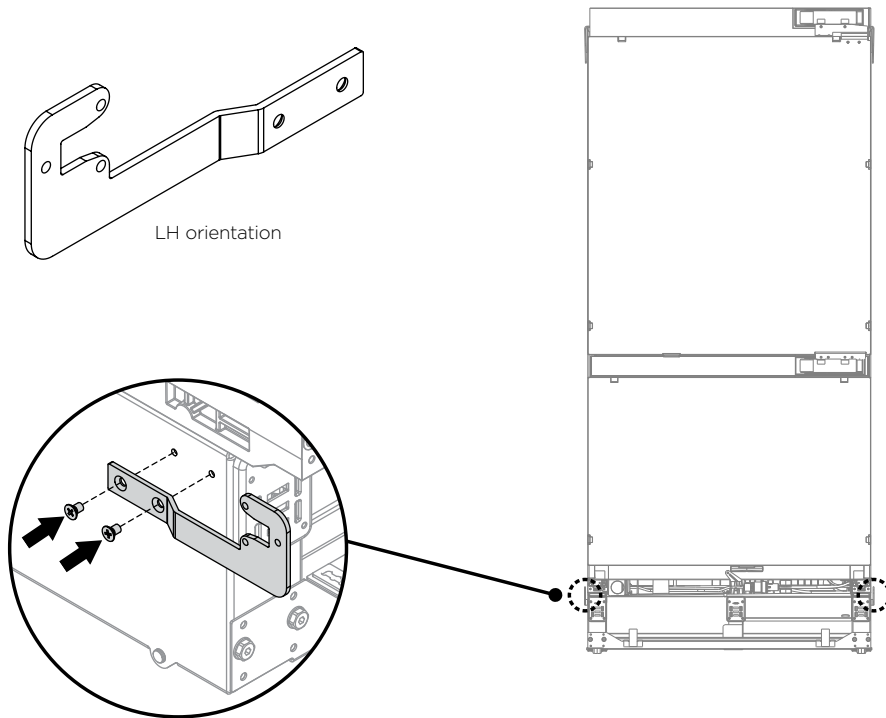
9 ATTACH SIDE BASE BRACKETS AND DOOR STUDS

WARNING!

Take care when working with the appliance outside of the finished enclosure, as the appliance is not secured and has the possibility of tipping forward. Tipping of appliance can lead to serious injury or death.

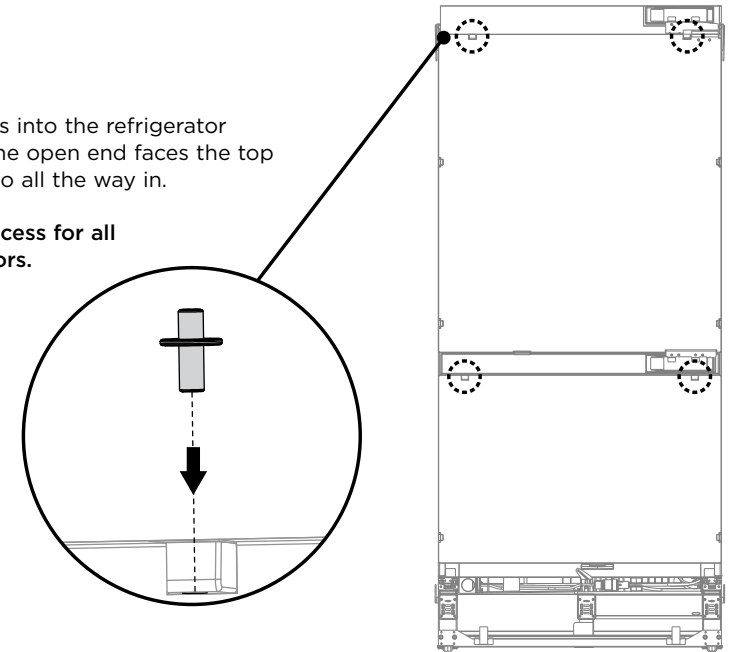
- 1 Ensure all external packaging material is removed from the appliance before installation.
- 2 At the base LH side of the appliance attach the LH side bracket to the dedicated threaded holes and secure with screws x2 (M5 x 8 countersunk Phillips screws).

Repeat this process on the RH side of the appliance.



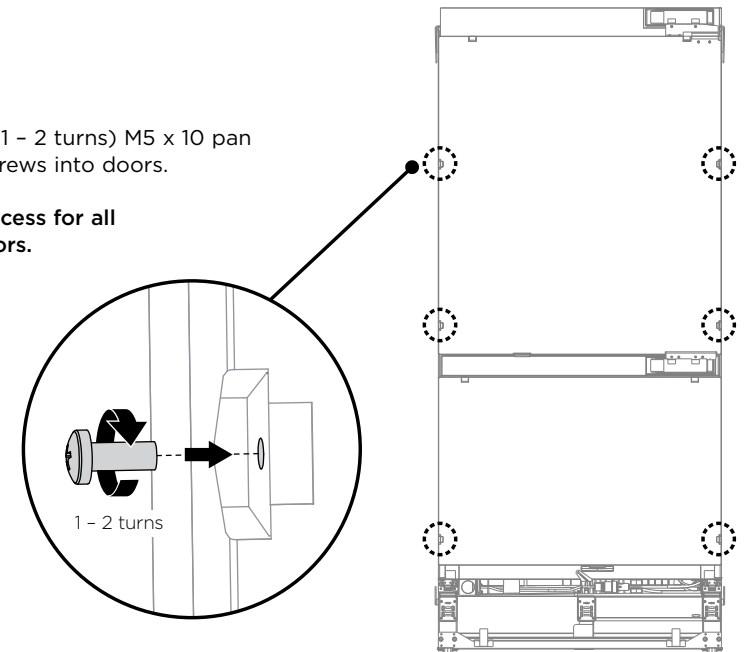
- 3 Secure M8 studs into the refrigerator doors, ensure the open end faces the top and the studs go all the way in.

Repeat this process for all refrigerator doors.



- 4 Loosely screw (1 - 2 turns) M5 x 10 pan head Phillips screws into doors.

Repeat this process for all refrigerator doors.



10 CONNECT TO WATER AND ELECTRICAL SUPPLY

IMPORTANT!

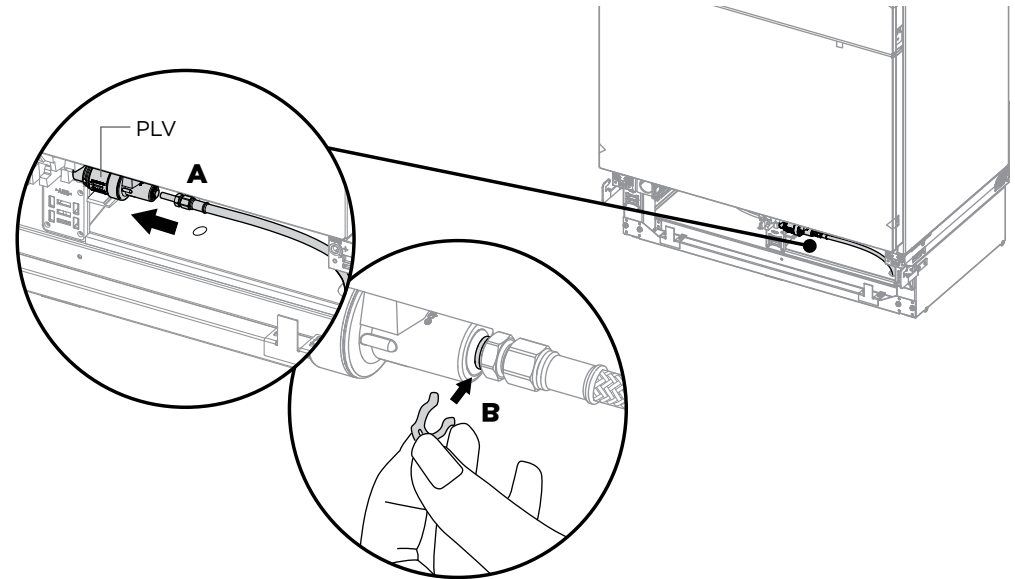
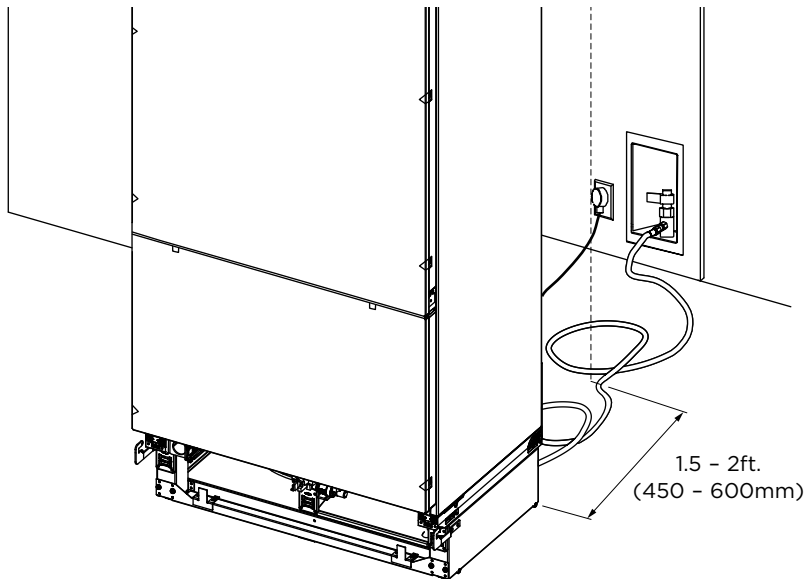
- The water connection instructions below are intended only for the professional installer.
- DO NOT use with water that is microbiologically unsafe or of unknown quality.
- WARNING - connect to potable drinkable water supply only.
- DO NOT install on line pressure above 120psi (827kPa) or below 22psi (150kPa).
- DO NOT use on hot water supply (100°F [38°C max.]).
- AVOID contamination of pipes during installation.
- Old water fittings (hose-sets) should not be reused.
- The standard appliance includes a stainless braided water line hose. 1/4" copper tubing is compatible with the system, it needs to be purchased separately and must comply with local regulations.
- The shut off valve should be accessible.

- ① Ensure the refrigerator is NOT plugged into a power supply. Locate isolating faucet for water connection - cold water supply only. Tee and faucet fittings are not supplied.

Position the appliance 1.5 - 2ft. (450 - 600mm) in front of the finished enclosure. This will allow access behind the appliance for power and water connections.

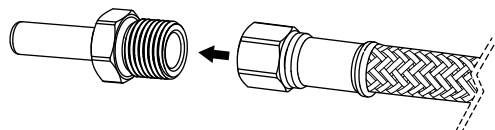
- ③ Firmly insert the tube end of the adaptor into the PLV, until the end is no longer visible. Once inserted, pull gently on tubing to ensure it is locked in (refer to **A**).

Note: dislodge the PLV if required.



- ② At the front of the appliance, fasten the adaptor onto one end of the braided water line hose.

Note: the adaptor is not required for installation, if 1/4" PEX plastic tubing is used.

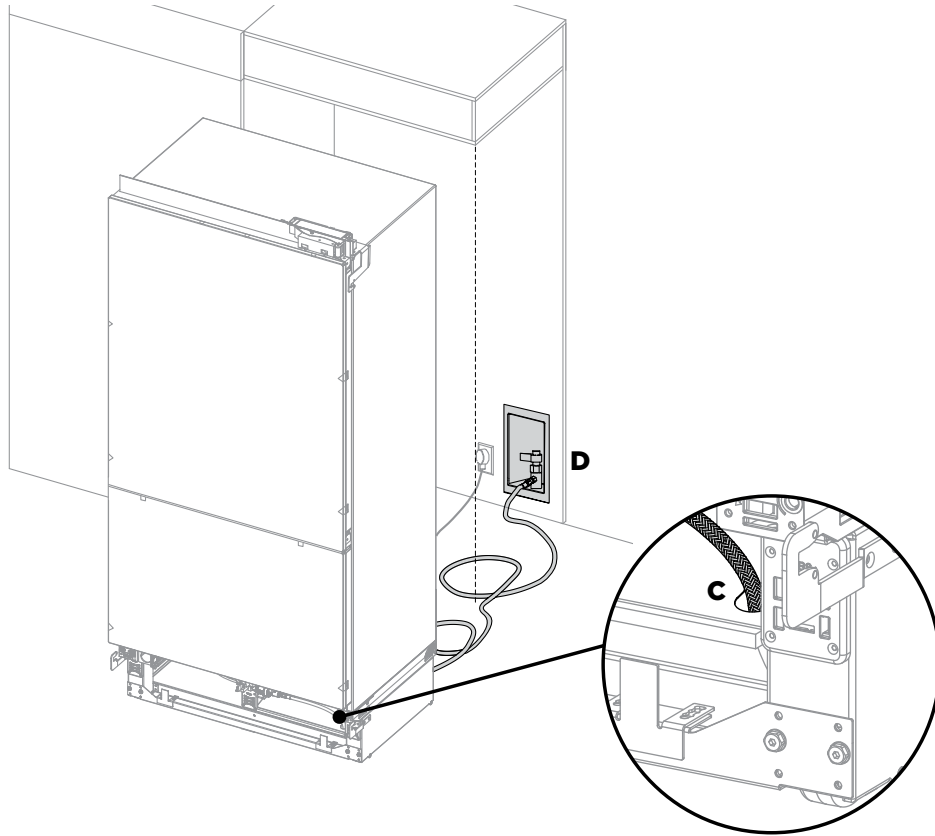


- ④ Secure connection by attaching the locking key in between the PLV and tube end of the adaptor (refer to **B**).

Note: if PLV was dislodged for installation (③), mount PLV back into clip.

10 CONNECT TO WATER AND ELECTRICAL SUPPLY

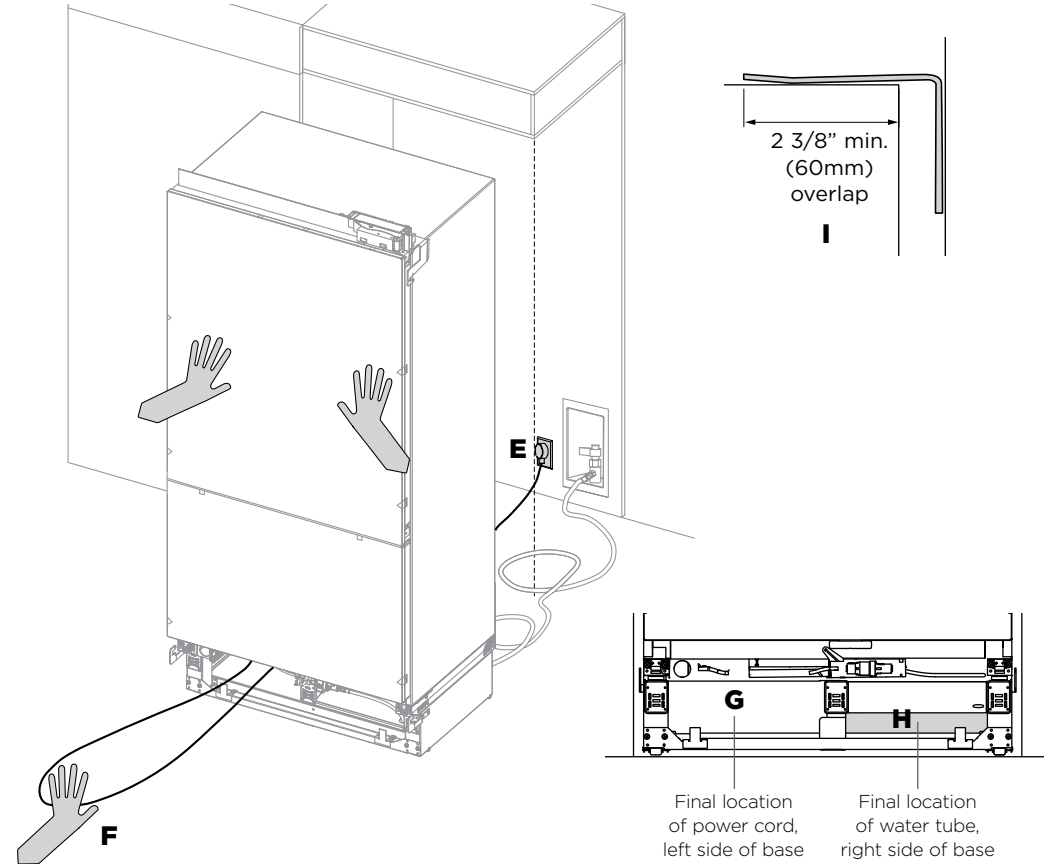
- ⑤ Thread the free end of the water line hose into the dedicated hole located in the base of the appliance, through to the back of the appliance (refer to **C**).



- ⑥ At the back of the appliance, loosely coil the water line hose (~2 - 3 times) and fasten the end of the hose to the cold water supply (refer to **D**).

Take care not to over-tighten the connection. Turn the isolating faucet on and check that all connections are dry and free of drips.

- ⑦ At the back of your appliance, connect the appliance to the electrical supply (115VAC, 60Hz) with the fitted plug and lead, and turn on. Ensure the appliance is connected to its own isolating switch (refer to **E**).



- ⑧ In order to push appliance into correct position:

- Stop midway, reach through base to locate power cord. Pull power cord through the front left side of the appliance (refer to **F**), tucking it neatly in the left side of the base (refer to **G**).
- Reach through base to locate water line hose coil. Tuck coil neatly into front right side of base (refer to **H**).

IMPORTANT!

Failure to do this can result in running over the hose causing damage and possible water leaks.

- Push product until doors are in line with the frame. Ensure the appliance is centered.
- Firm contact must be achieved between the appliance and the anti-tip bracket, 2 3/8" min. (60mm) overlap (refer to **I**).

WARNING!

Failure to follow this instruction can lead to serious injury or death.

11 PRE-ALIGN YOUR PRODUCT INSIDE CABINETY

IMPORTANT!

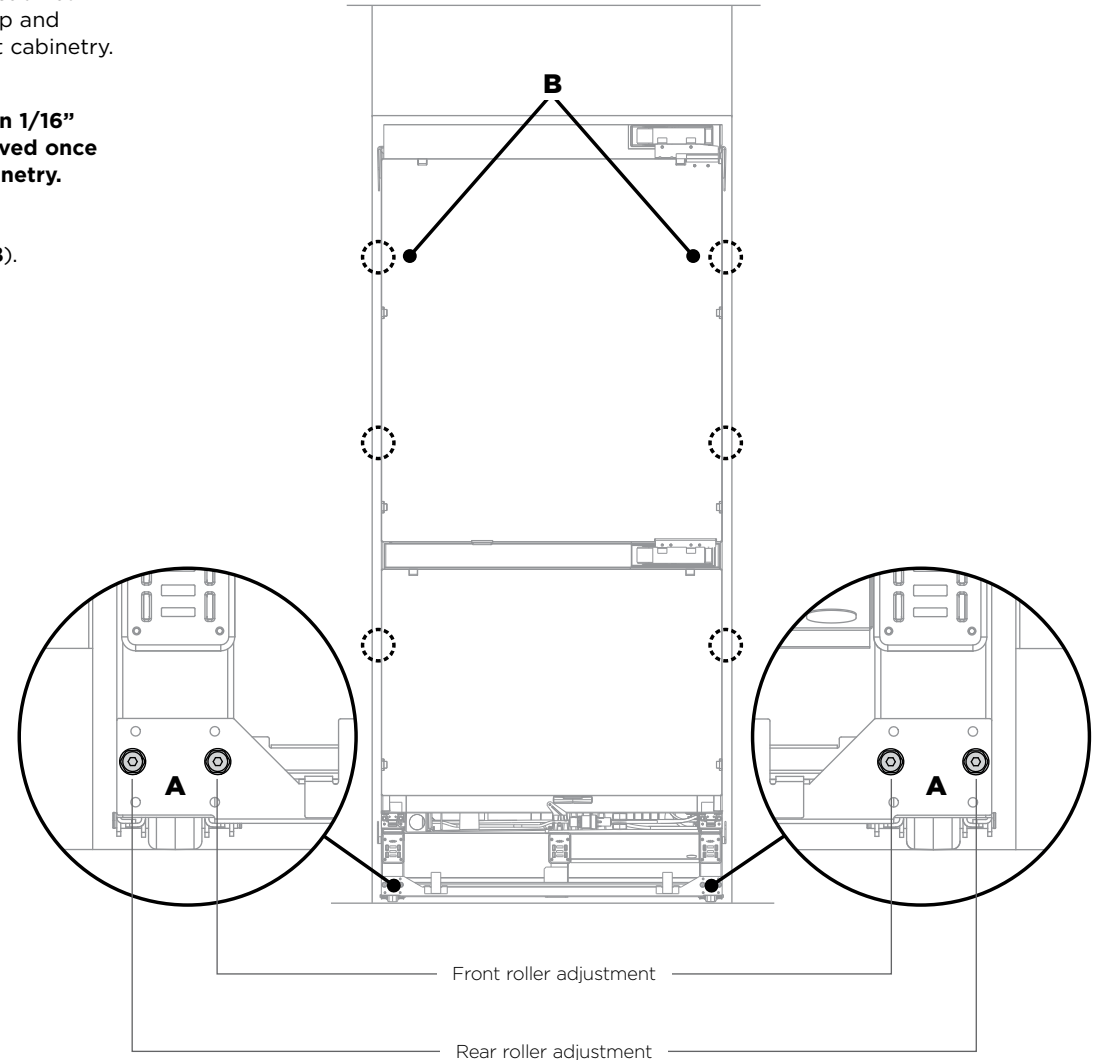
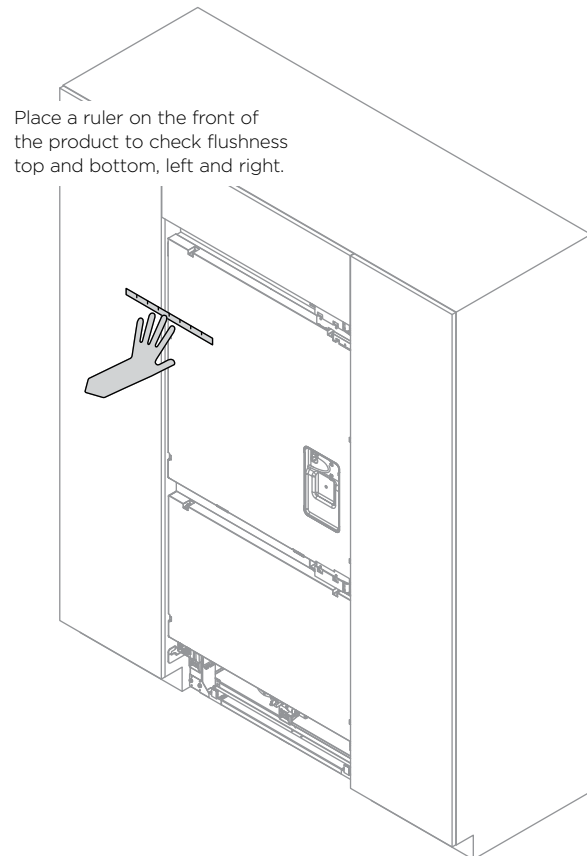
- It is important that all four corners of the appliance are supported firmly onto the floor to eliminate any movement.
- Installing the appliance on a soft, uneven, or not level floor may result in twisting of the product and poor door sealing.
- Raise the appliance using a 7/16" (11mm) hex socket or 3/16" (4mm) hex Allen key. One turn of height adjusting nuts is equivalent to 1/16" (1mm) height travel.
Note: maximum travel is 13/16" (20mm).
- Use low torque setting to avoid damage to height adjustment system.

- ① Use the front and rear adjustment nuts (A) to align the front of the doors top to bottom on both sides. Depending on your installation design the refrigerator door may be flush with the cabinet frame or the cabinet door. Place a ruler on the front of the product to check flushness top and bottom, left and right. This step will help ensure the refrigerator is level with the adjacent cabinetry.

IMPORTANT!

Failure to achieve flushness top to bottom and/or uneven gaps left to right greater than 1/16" (1.5mm) can lead to difficulties achieving final alignment. Final alignment will be achieved once door panels have been installed and the appliance is pushed back to sit flush with cabinetry.

- Turn adjustment nuts clockwise to raise or counter-clockwise to lower (refer to A).
- Check gaps between appliance and adjacent cabinetry are even on both sides (refer to B).
- Gently push the front of the product to check the stability.

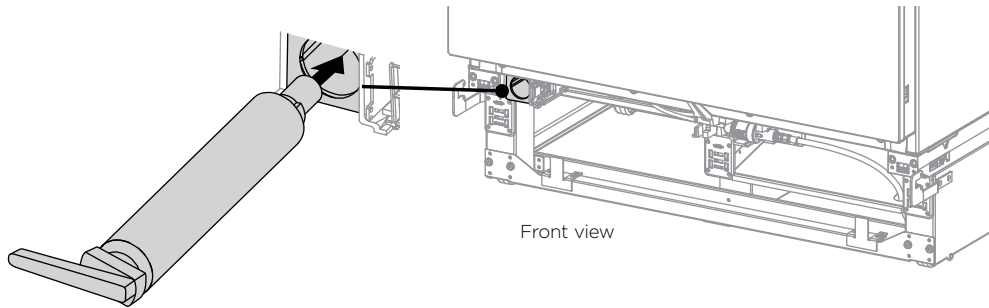


12 INSTALL WATER FILTER CARTRIDGE AND KICKSTRIPS

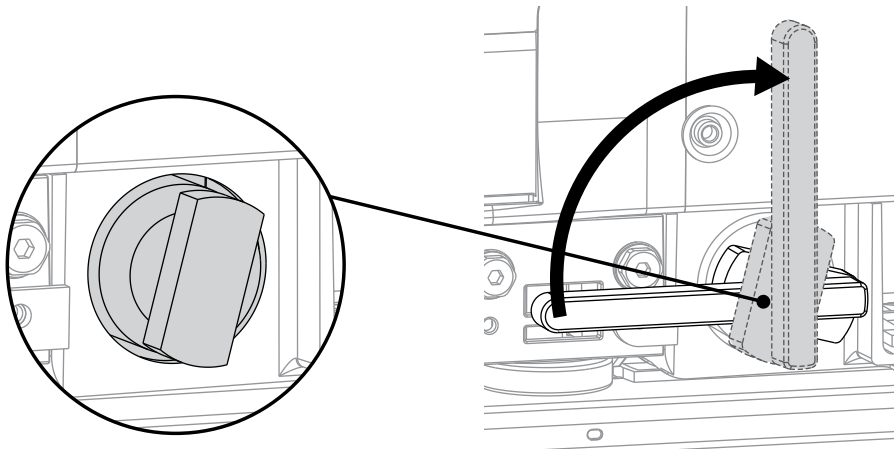
IMPORTANT!

- The water filter head must be firmly pushed into the product and secured, incorrect installation can lead to water leaks.
- It is not necessary to shut off the water supply when installing the water filter.

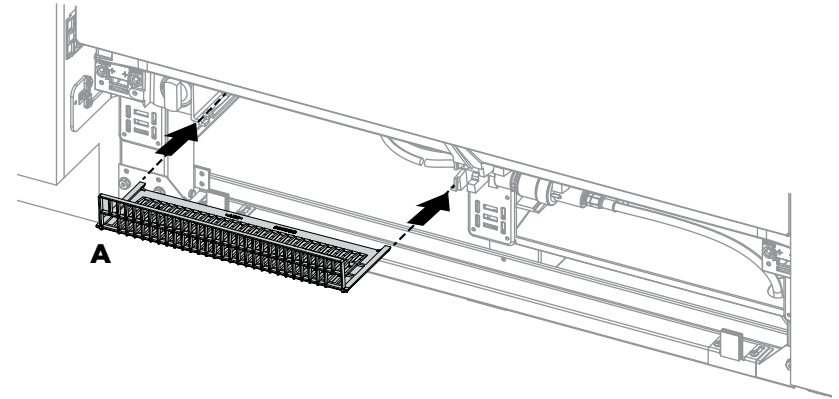
- ① Remove the red protective cap on the spigot head and align the filter cartridge tool over the filter handle



- ② Pull the freezer drawer out slightly and insert the filter cartridge and tool into the bottom left of the product. Firmly push the cartridge in until the filter head cannot be pushed any further.

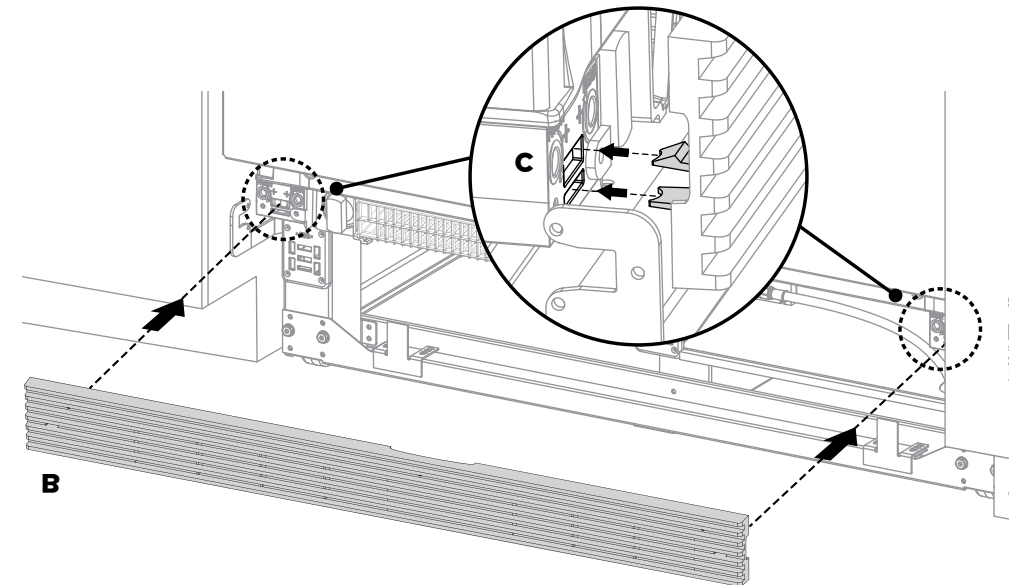


- ③ Turn 90° clockwise to tighten. Remove filter cartridge tool and close freezer drawer.



- ④ **Installing kickstrip filter**

Remove filter from inside the product. Fit the filter onto the rails and push to the rear until it clips securely (refer to **A**).



- ⑤ **Top kickstrip grille**

Ensure the top grille is inserted in the correct orientation (refer to **B**). Align the top grille clips to the top plinth slots then firmly push grille onto appliance until the clips engage (refer to **C**).

13 ASSEMBLE DOOR PANEL SET

The assembly of Fisher & Paykel (EZKleen stainless steel) and DCS (Stainless steel) door panels and custom door panels are outlined below. To protect the finish of the Fisher & Paykel EZKleen stainless steel and DCS stainless steel door panels, leave protective film on the panels when hanging and remove film only when installation is complete.

If using custom door panels ensure they are prepared as per 'Custom door panel dimensions' section.

Door panel

- 1 **Mounting handle** (refer to **A**)
For Fisher & Paykel door panel sets or DCS door panel sets, remove the plastic plugs from the handle holes x4. Align the handle to the holes and secure with screw handle x4 (M5 x 25 pan head socket screws).

For custom panels, ensure handle is secured 2 9/16" (65mm) from the inner edge of the panel to the center - this will avoid interference with bracket installation.

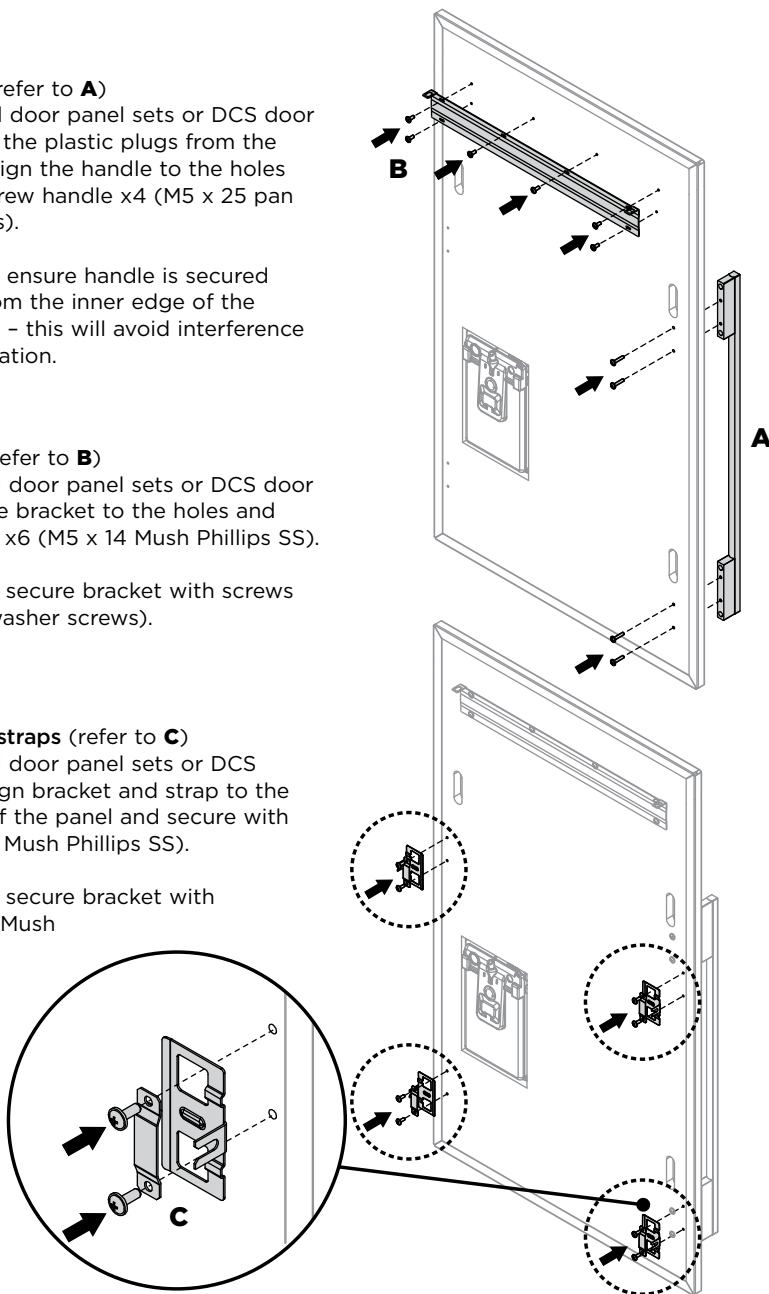
- 2 **Hanging bracket** (refer to **B**)
For Fisher & Paykel door panel sets or DCS door panel sets, align the bracket to the holes and secure with screws x6 (M5 x 14 Mush Phillips SS).

For custom panels, secure bracket with screws x6 (#8 x 16 Mush washer screws).

- 3 **Side brackets and straps** (refer to **C**)
For Fisher & Paykel door panel sets or DCS door panel sets, align bracket and strap to the holes on the side of the panel and secure with screws x2 (M5 x 14 Mush Phillips SS).

For custom panels, secure bracket with screws x2 (#8 x 16 Mush washer screws).

Repeat this process for all brackets and straps.



Drawer door panel

- 4 **Mounting handle** (refer to **D**)
For Fisher & Paykel door panel sets or DCS door panel sets, remove the plastic plugs from the handle holes x4. Align the handle to the holes and secure with screw handle x4 (M5 x 25 pan head socket screws).

For custom panels, ensure handle screw heads are counter sunk into the back of the panel to avoid interference with hanging bracket.

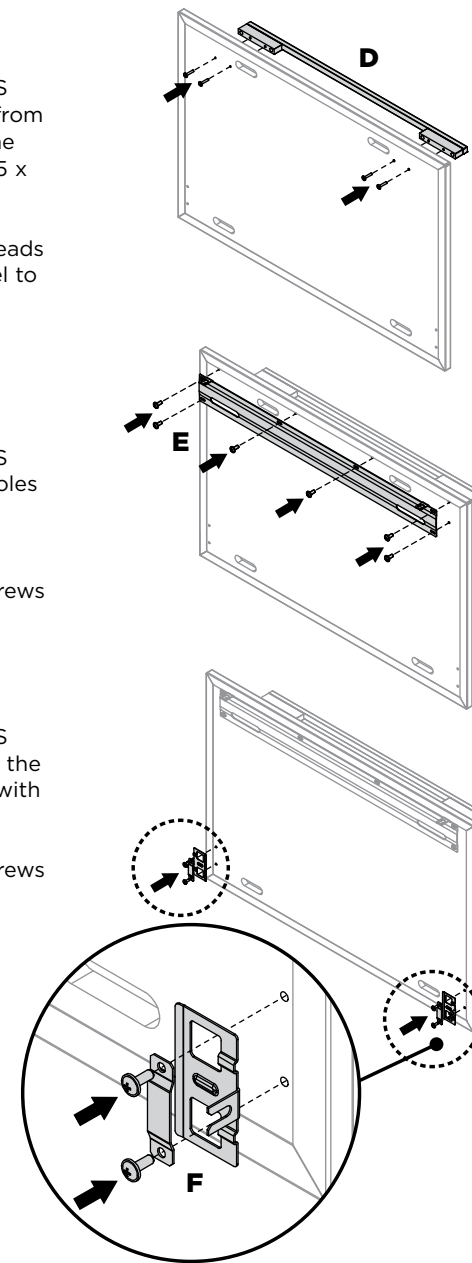
- 5 **Hanging bracket** (refer to **E**)
For Fisher & Paykel door panel sets or DCS door panel sets, align the bracket to the holes and secure with screws x6 (M5 x 14 Mush Phillips SS).

For custom panels, secure bracket with screws x6 (#8 x 16 Mush washer screws).

- 6 **Side brackets and straps** (refer to **F**)
For Fisher & Paykel door panel sets or DCS door panel sets, align bracket and strap to the holes on the side of the panel and secure with screws x2 (M5 x 14 Mush Phillips SS).

For custom panels, secure bracket with screws x2 (#8 x 16 Mush washer screws).

Repeat this process for all brackets and straps.

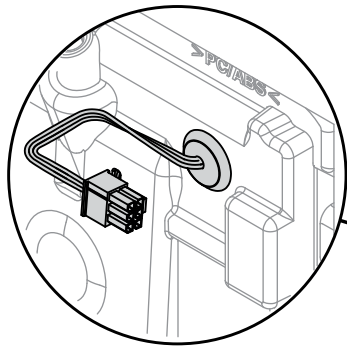


14 HANG ICE & WATER DOOR PANEL

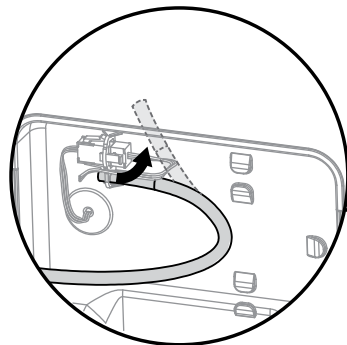
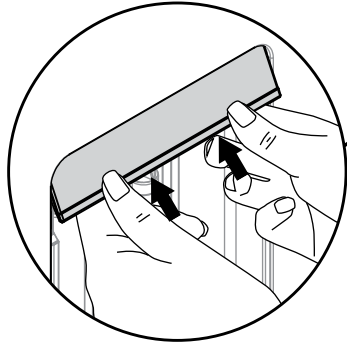
For Fisher & Paykel EZKleen stainless steel and DCS stainless steel door panels only.

- ① Remove the external display module from inside the product.

Thread the display harness through the door panel cavity. Ensure the grommet is engaged.

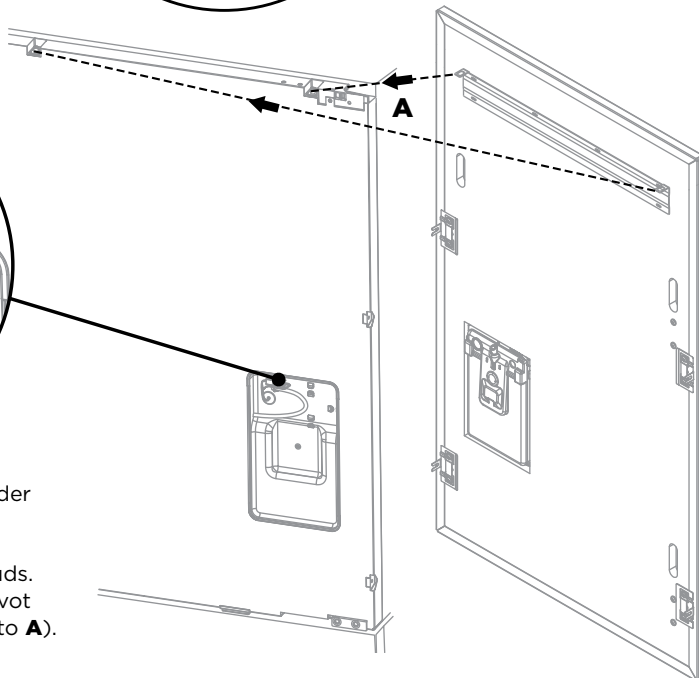


- ② Angle top display tabs into the door panel. Ensure the harness is free of pinching. Firmly push against bottom display tabs and insert into the door panel until you feel it clip securely. Ensure the display is flush with the door panel.




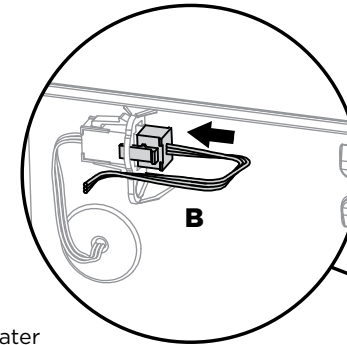
- ③ Remove water tube from holder on the refrigerator door.

- ④ Hang door panel onto M8 studs. Ensure the panel is free to pivot for water connections (refer to **A**).



- ⑤ Connect display harness onto the refrigerator door by inserting firmly until you feel it clip securely (refer to **B**).

On the external display, enable the dispenser lock, this will help prevent any water from dispensing during water connection. To lock, press the  button for 4 seconds. The LED above the button will illuminate.

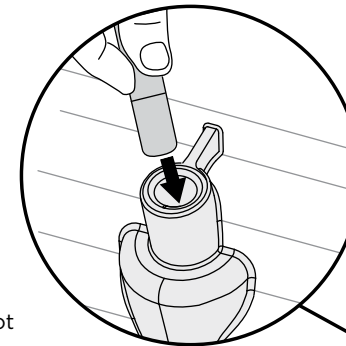


- ⑥ Firmly push the water tube into the spigot behind the door panel until the marked line is not visible.

Ensure the water tube is routed away from any sharp objects, sharp corners, and not in a location where it can be kinked or squashed when the door panel is secured, (as this will stop water flow).

Flush water filtration system. See page 27.

To secure door panel, follow the instructions in the next section: 'Hang non-Water dispensing door panels'.



15 HANG NON-WATER DISPENSING DOOR PANELS

For Fisher & Paykel EZKleen stainless steel and DCS stainless steel door panels and custom panels.

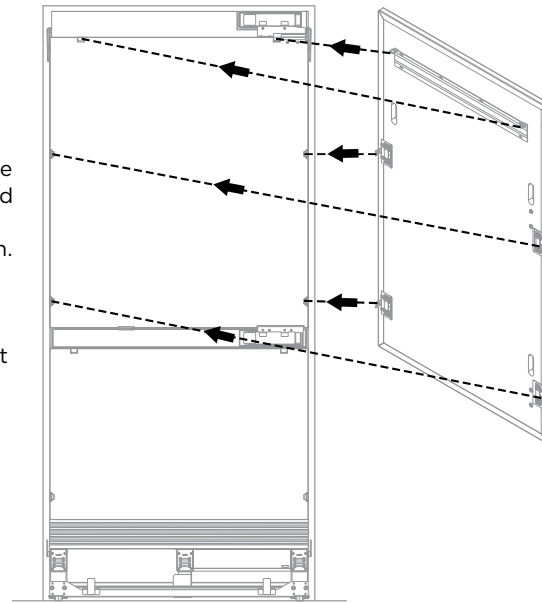
IMPORTANT!

Remove protective film from white product doors before hanging door panels.

- ① Hang all door panels onto M8 studs and align the side bracket forks onto the refrigerator door.
 - Ensure the forks are positioned around the body of the side screws (M5 x 10 pan head Phillips screw).
- ② Push the product until the door panels are flush. Depending on your installation design this will be flush with your adjacent cabinetry or your framework. Place a ruler on the front of the product to check flushness top and bottom, left and right (refer to drawing below).
- ③ Ensure the gap between the top of the door panel and the top cabinetry is no greater than 1/4" (7mm). To reduce this gap, raise the product by turning all four adjustment nuts the same number of turns.

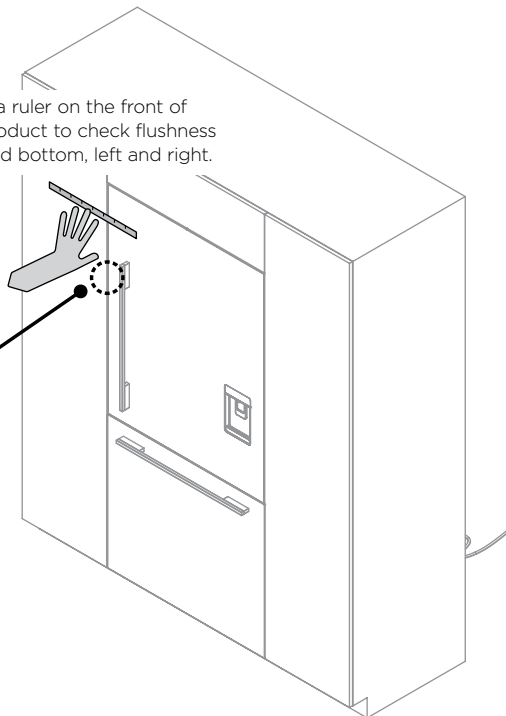
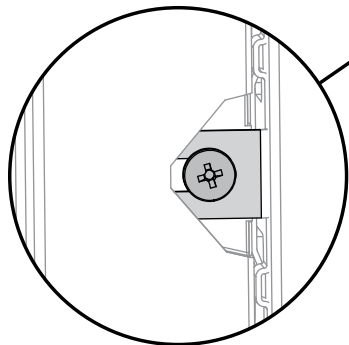
IMPORTANT!

Failure to follow these steps can lead to difficulties in door panel adjustment and cosmetic cap fitment.

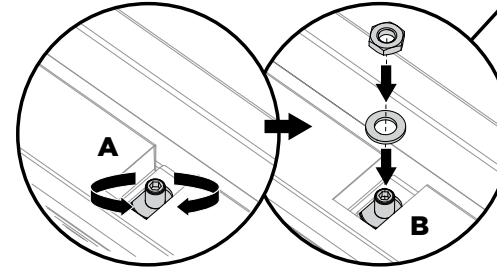


Place a ruler on the front of the product to check flushness top and bottom, left and right.

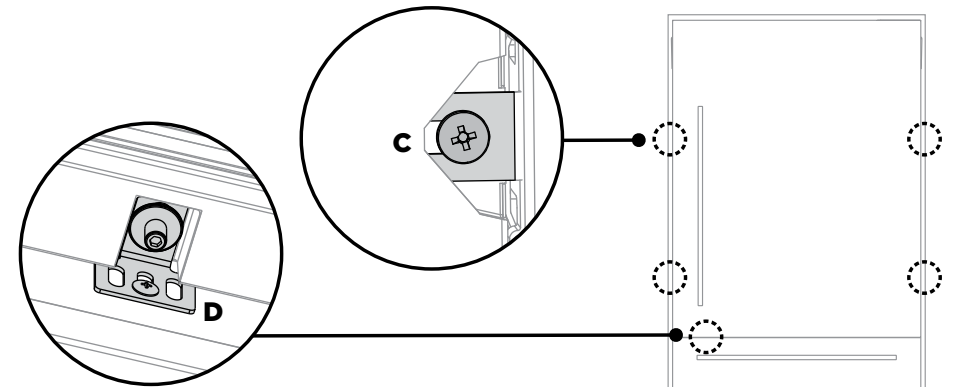
- ④ Lock top panel side screw to allow opening the door without affecting adjustment.



- ⑤ All door panels have full axis adjustment to ensure they are flush with adjacent walls. To adjust the height of each panel turn clockwise to raise stud or counter-clockwise to lower stud (refer to **A**).



- ⑥ Once satisfied with all door panels, secure M8 studs with M8 washer and M8 nut (refer to **B**). The top of the stud must remain below the top face of the door panel.



- ⑦ Secure side bracket forks by tightening side screws (**C**).

Repeat this process for all door panels.

Note: for depth adjustment loosen side screws x4, adjust panels and then retighten once satisfied.

Note: further adjustment of door panels can be achieved by removing door panels then loosening the fixing screws for the hanging bracket and moving the bracket sideways to suit.


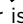

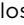
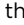
- ⑧ Loosely install locking bracket into the pocket on the underside of the door using a M8 stud (**D**). Slide the locking bracket out until it touches the back of the door panel. Screw in place using a #8 x 16 screw through one of the three slotted holes. Fully tighten the M8 stud.

16 ICE AND WATER INITIATION

Now it is time to carry out the ice and water initiation to ensure you are free of leaks before fully installing the product. Ensure the appliance is switched on and the isolation faucet has been connected and turned on.

Ice maker initiation

To initiate ice maker before use:

- When the appliance is first turned on after installation, the ice maker will be off.
- To activate the automatic ice maker, press the 'Ice On/Off'  button once. The LED light above the  button will illuminate indicating the ice maker is on.
- Press and hold the ,  and  together for 4 seconds then close the doors. The ice tray will flip twice and empty the water into the bin below. The ice tray will flip only after the doors are closed.
- Force another cycle, this step helps remove any manufacturing and transportation dust in the ice tray.
- Empty the water and correctly replace the bin, ensuring the scoop is located at the front of the bin.
- Once the ice maker is in operation, discard the first 24 hours of ice. This will flush away any impurities in the water line.

For more information on making ice please refer to the User Guide supplied with this appliance.

Water dispenser initiation (Ice & Water models only)

To flush the water filtration system before use:

- Press the water dispenser pad until water dispenses, this will displace trapped air in the water tank and filter system. This will take at least 2 minutes. Once the water has dispensed, rest the dispenser for 2 minutes.
- Dispense and discard 4qt (4L) of water, then rest the dispenser pad for a further 2 minutes.
- Dispense and discard a further 4qt (4L) of water. Failure to do this will result in excessive dripping from the dispenser.
- Once installation is complete, a few drips may appear out of the dispenser over the next few days to clear the remaining trapped air.
- Ensure the refrigerator has cooled for at least 2 hours before use.



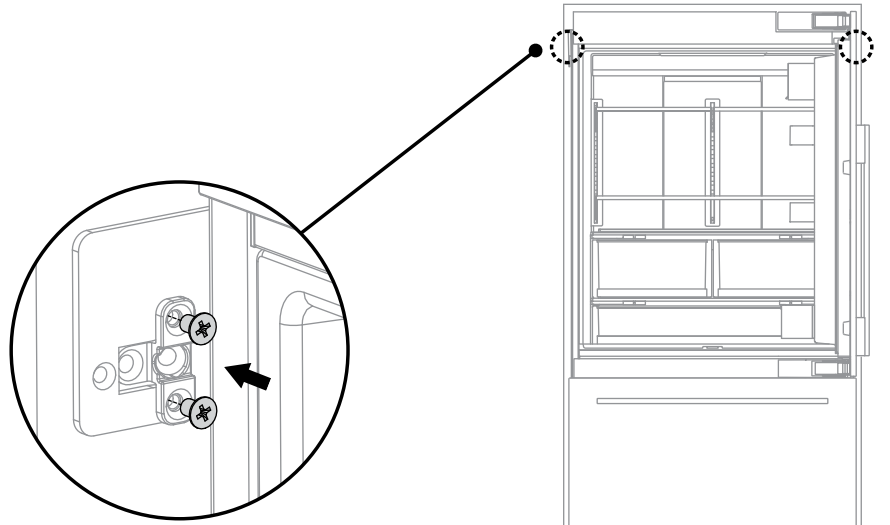
Water dispenser

IMPORTANT!

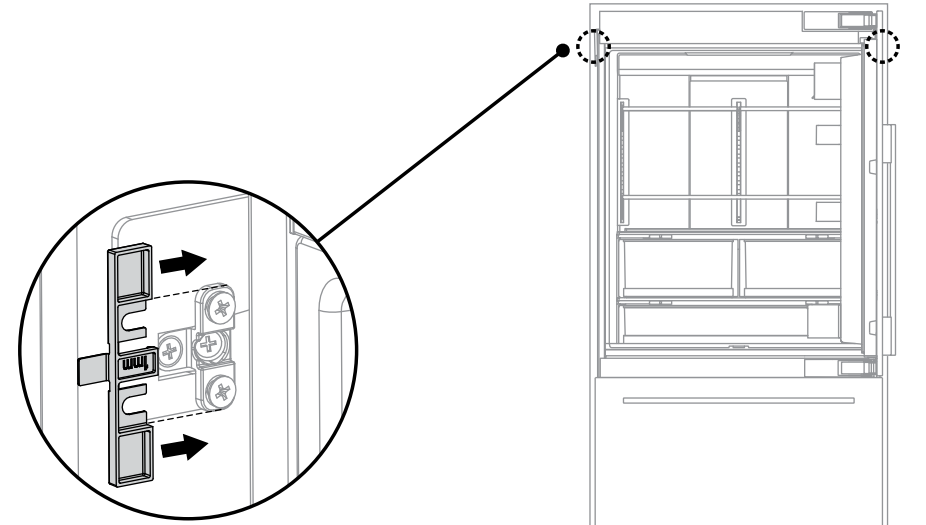
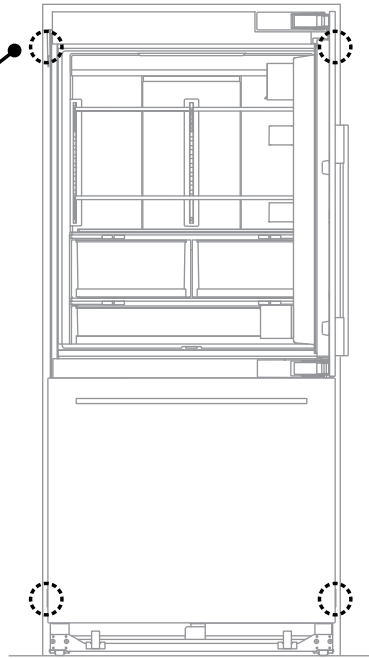
Do not continually dispense water for longer than 2 minutes at a time.

For more information on water dispensing please refer to the User Guide supplied with this appliance.

17 ATTACH FIXING BRACKETS

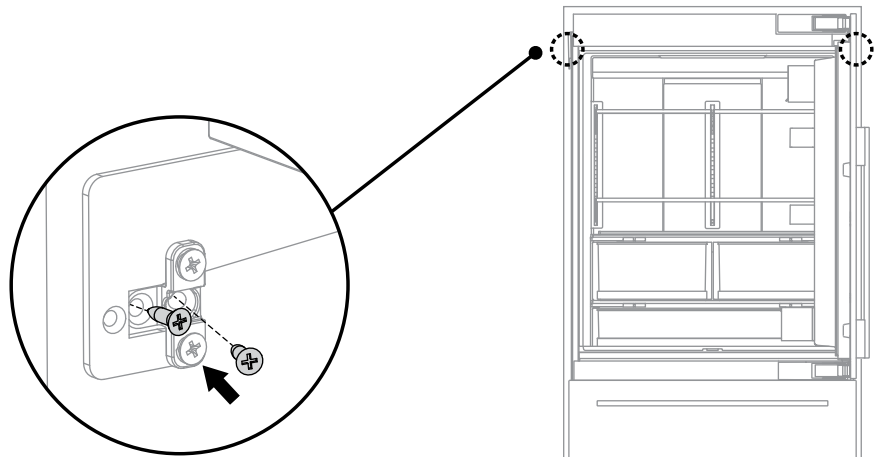
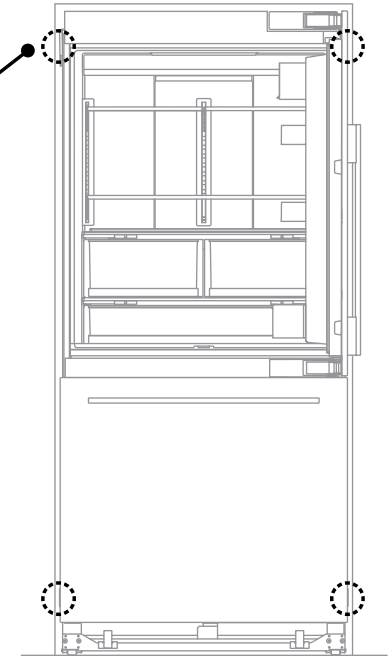


- 1 Carefully open the refrigerator door to attach fixing brackets. Place fixing bracket over the side of the appliance and secure mid-way with screws x2 (M5 x 8 countersunk Phillips screws).



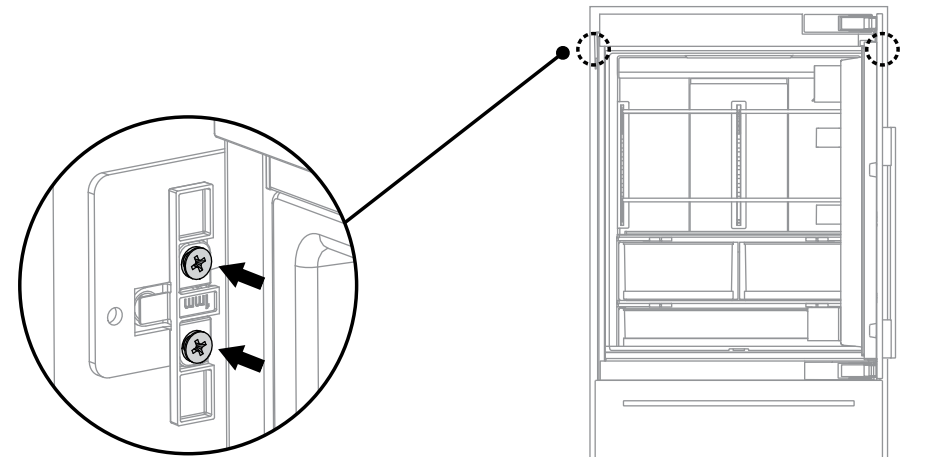
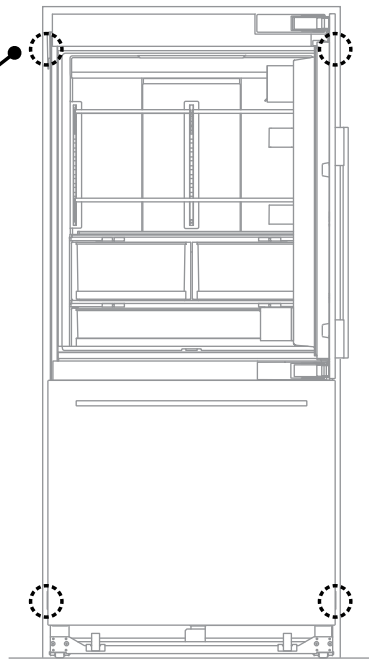
- 3 Slide screw cover in between the fixing bracket and the side bracket on the appliance x1.

Repeat this process for the remaining screw covers.



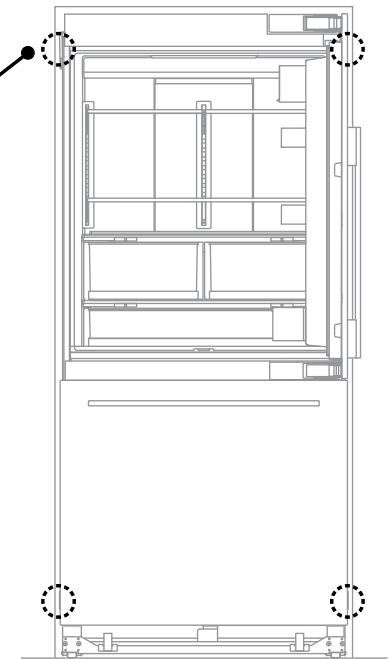
- 2 Secure the center of each fixing bracket to the side of the adjacent wall with screws x2 (#8 x 19 twin thread screws).

Repeat this process for the remaining brackets.



- 4 Fix screw cover by tightening screws x2 (M5 x 8 countersunk Phillips screws).

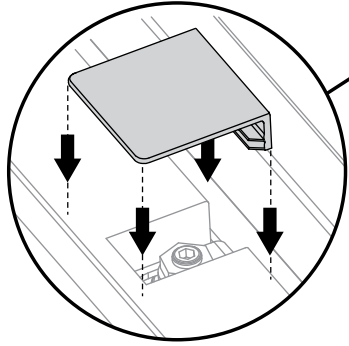
Repeat this process for the remaining screw.



18 ATTACH COVERS AND TOE KICK

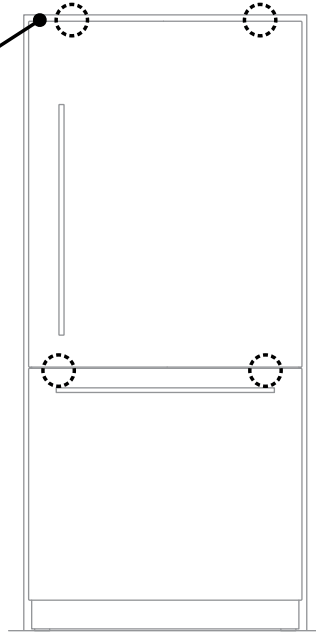
The standard appliance includes a stainless steel toe kick (4" (102mm)) and the hardware required to mount the toe kick (4" (102mm)). Alternatively the customer can supply their own toe kick (4 - 6" (102 - 152mm)) for complete integration of the appliance.

- ① If applicable, remove any remaining protective film on your door panels.



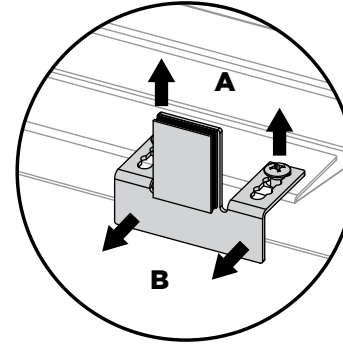
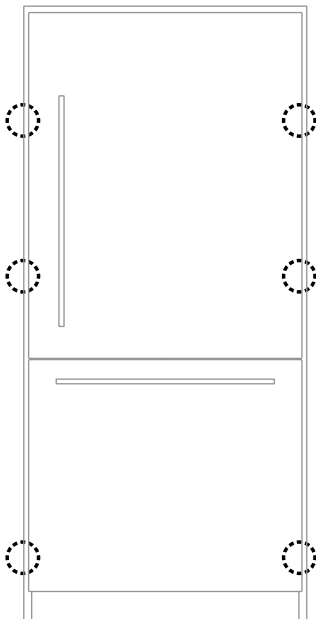
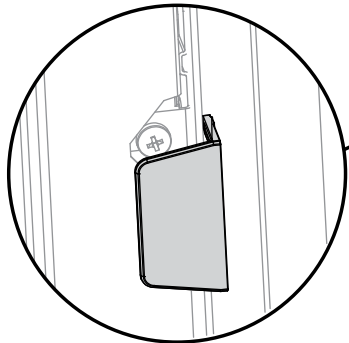
- ② Open the refrigerator door, firmly push top cover over the top studs.

Repeat this process for the freezer drawer.



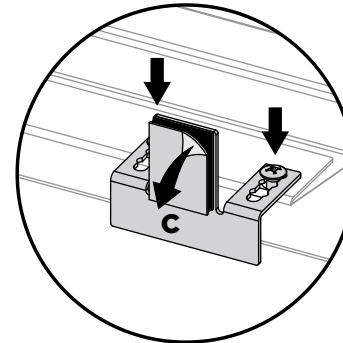
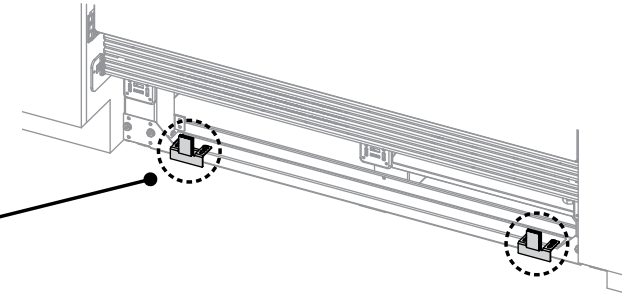
- ③ Open the refrigerator door, firmly push side cover over the side studs.

Repeat this process for the freezer drawer.



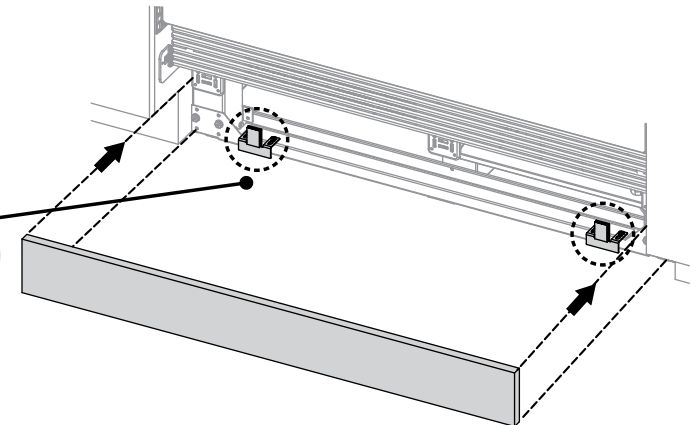
- ④ **Installing toe kick**
Unscrew the toe kick bracket screws mid-way, and bring forward (refer to **A** and **B**).

Repeat this process on the opposite side.



- ⑤ Place toe kick in front of the brackets and gently push towards the appliance until flush with surrounding cabinetry. Once satisfied, remove the toe kick.

- ⑥ Tighten the toe kick bracket screws to lock brackets into position and remove the backing from the Velcro strip (refer to **C**). Attach toe kick to the adhesive surface.

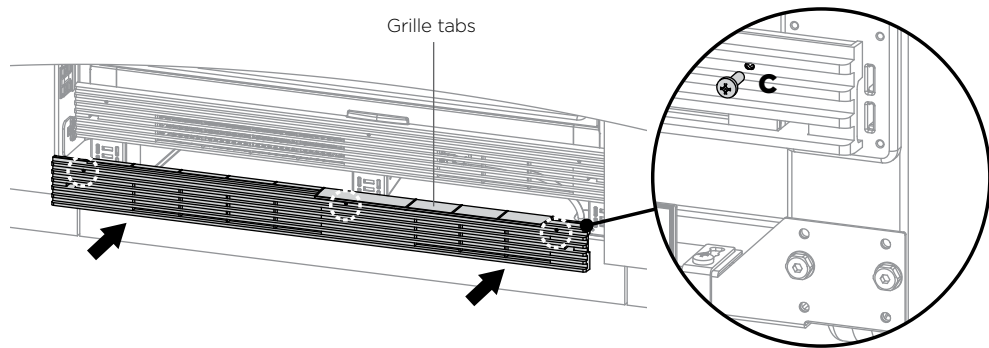
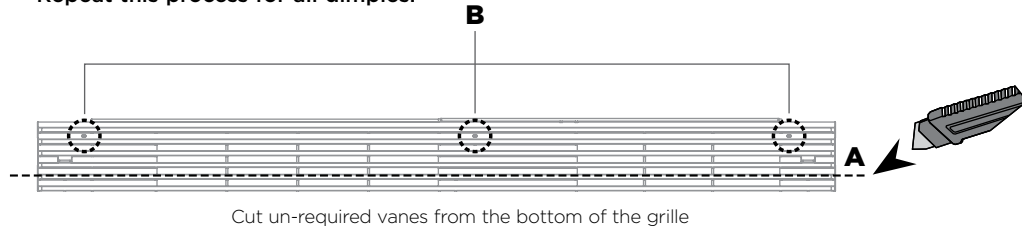


19 ATTACH BOTTOM GRILLES

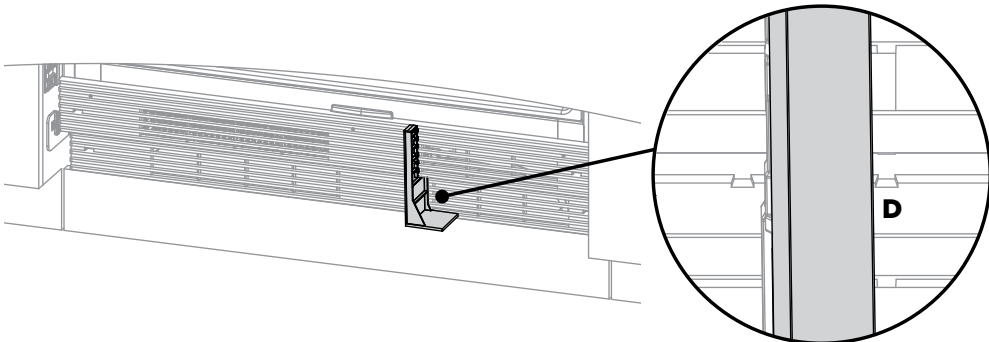
For custom toe tick greater than 4" (102mm)

- ① Measure the required height for the bottom grille. On a board, carefully score/cut the un-required vanes from the bottom of the kickstrip grille and discard (refer to **A**).
- ② Drill $\varnothing 5/32"$ (4mm) holes into the dimples of the grille (refer to **B**).

Repeat this process for all dimples.

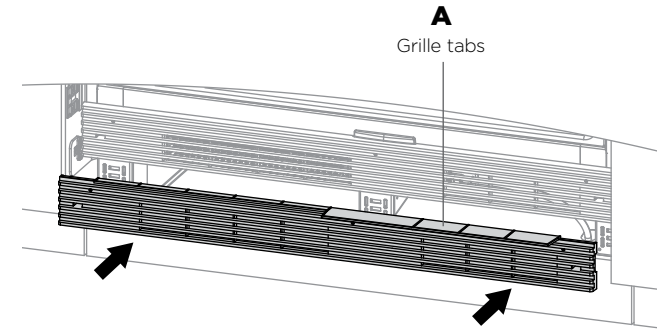


- ③ With the grille tabs facing upwards, align the grille to the bottom of the plinth where the screw holes are located and secure with screws x3 (#8 x 5/8" pan head screws) (refer to **C**).
- ④ Align the air flow divider underneath the grille tabs indicator and clip onto the vanes of the bottom grille (refer to **D**).

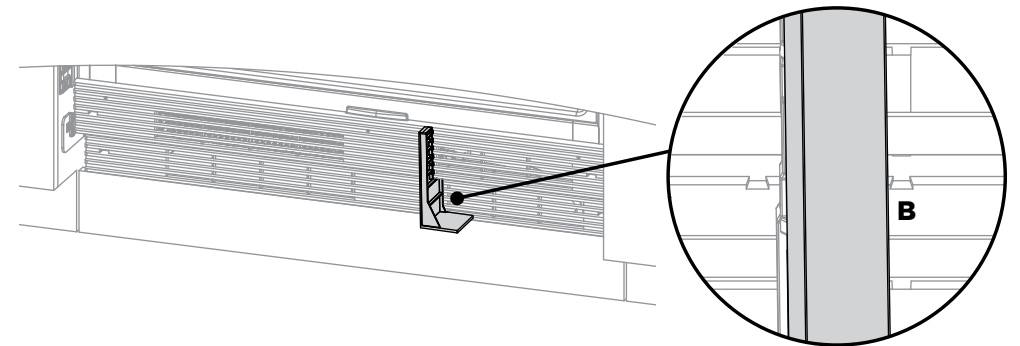


For toe kick installation at 4" (102mm)

- ① With the grille tabs facing upwards, align the grille clips to the bottom of the plinth's slots, then firmly push grille onto the plinth (refer to **A**).



- ② Align the air flow divider underneath the grille tabs indicator and clip onto the vanes of the bottom grille (refer to **B**).



TWO METHODS ARE AVAILABLE FOR ATTACHING SIDE TRIM BRACKETS:

- (A) FLEXIBLE SPRING CLIP METHOD - RECOMMENDED METHOD**
- (B) FIXED SCREW METHOD - METHOD TO USE IF CABINET IS NOT TO SPECIFICATION**

(Attempt method A. If method A results in poor fitment of side trims due to cabinetry that is uneven or out of specification, use method B).

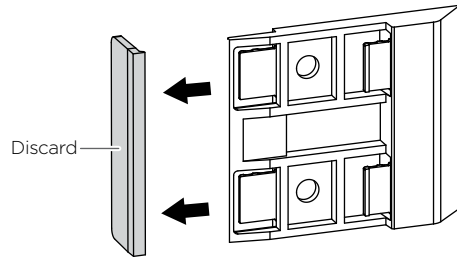
20 ATTACH SIDE TRIM BRACKETS - (A) FLEXIBLE SPRING CLIP METHOD

IMPORTANT!

Before installing your appliance, ensure the dimensions of the finished enclosure are correct for your appliance following the 'Product and cavity dimensions' sections.

- ① Break off the datum lip to each side trim bracket and discard.

Repeat for all side trim brackets.



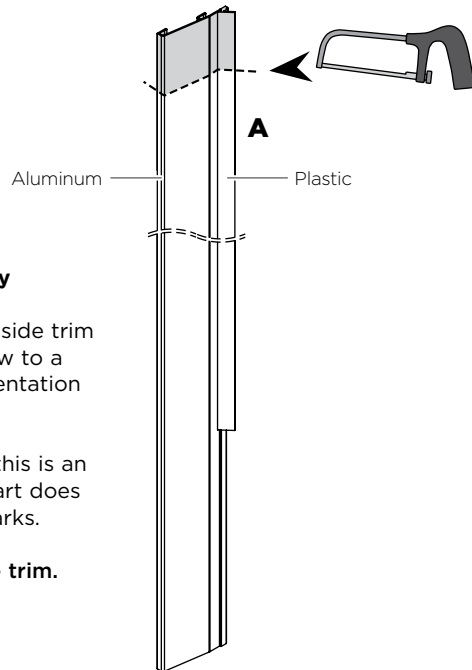
- ③ Position 3 side trim brackets onto each side trim.

Note: measure from the top of the trim, with the shorter lip at the bottom. (Refer to **B** for 80" and 84" bracket locations and trim orientation).

IMPORTANT!

Each bracket has two engagement points for the side trim to locate. Ensure the trim is engaged in both points (refer to **C**).

Repeat this process for the remaining side trim.

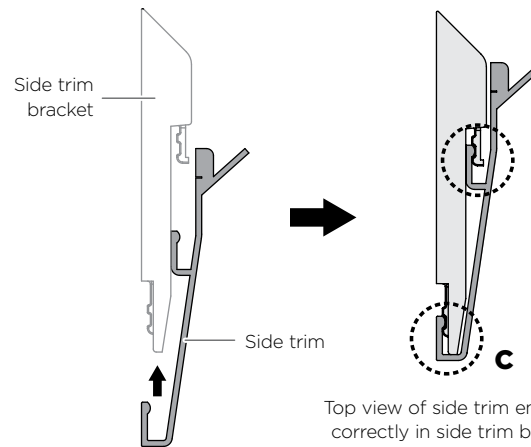


For 80" (2032 mm) cavity installation only

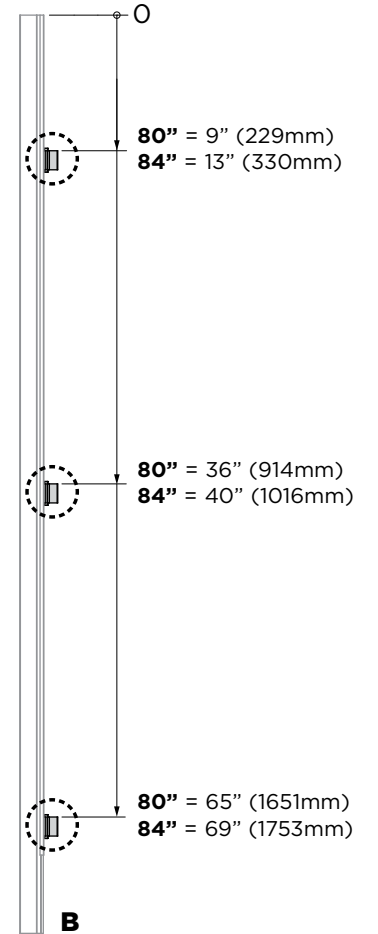
- ② Measure 4" (102mm) from the top, shorter side trim and carefully cut using a fine tooth hacksaw to a length of 76" (1930mm). Refer to **A** for orientation of side trim.

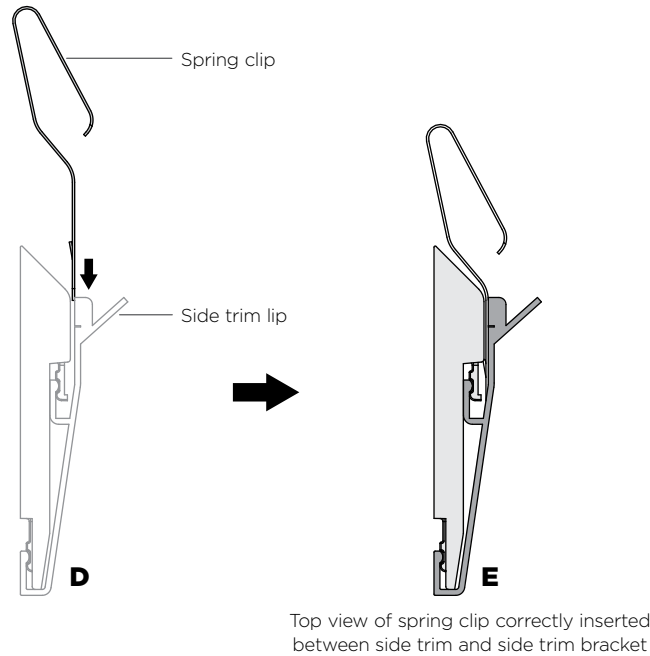
Note: ensure cut is straight and square as this is an exposed surface. Also ensure the plastic part does not bend as this can cause visual stress marks.

Repeat this process for the remaining side trim.



Top view of side trim engaged correctly in side trim bracket



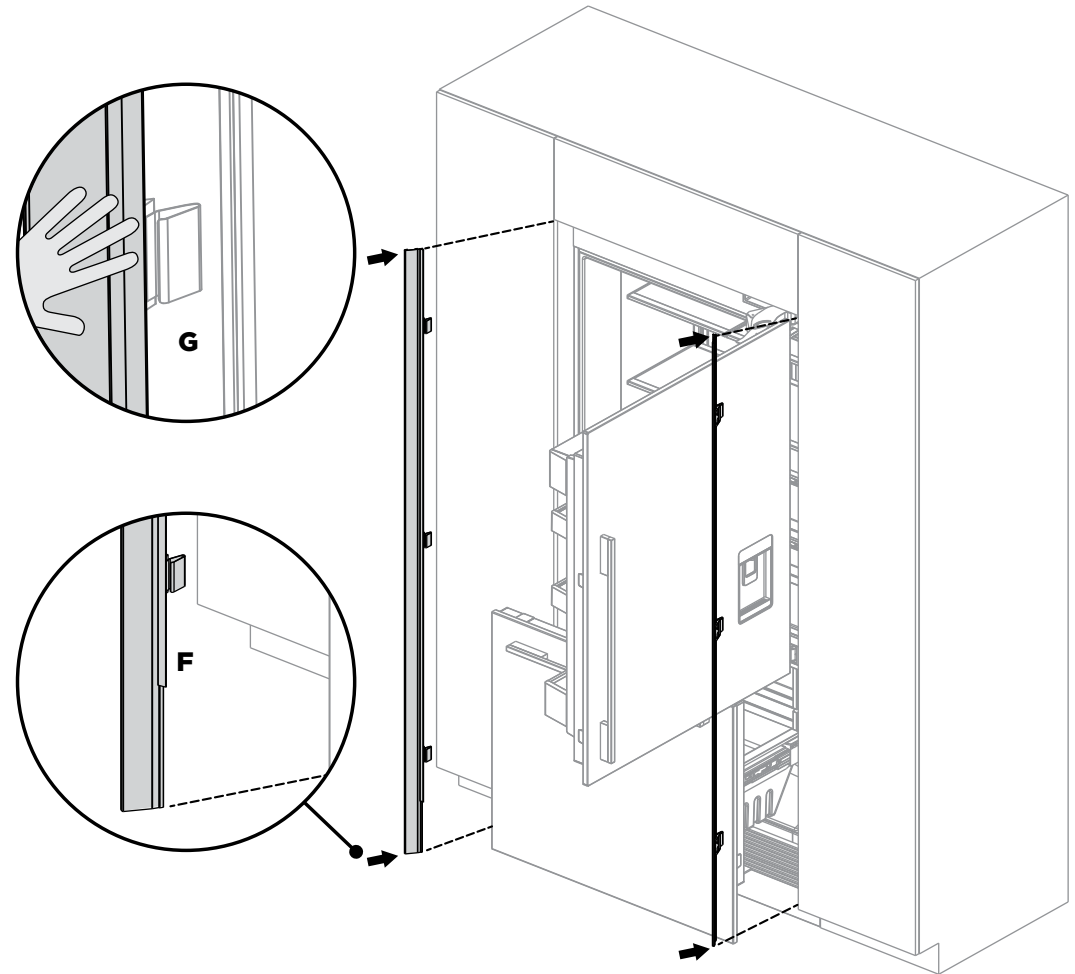


- ④ Insert the spring clip into the gap between the side trim and side trim bracket, orientation as shown in figures **D** and **E**.

IMPORTANT!

Ensure spring clip is correctly oriented with the open loop facing the side trim lip.

Repeat this process for the remaining side trim.



- ⑤ Open refrigerator door. Place the assembled side trim with brackets and spring clips against the alcove side wall with the shorter lip facing the bottom (refer to **F**).

IMPORTANT!

Ensure the side trim is positioned as high as it will go.

Push the side trim at each bracket location until there are no visible gaps between the trim and cabinetry (refer to **G**).

Repeat this process for the remaining side trim.

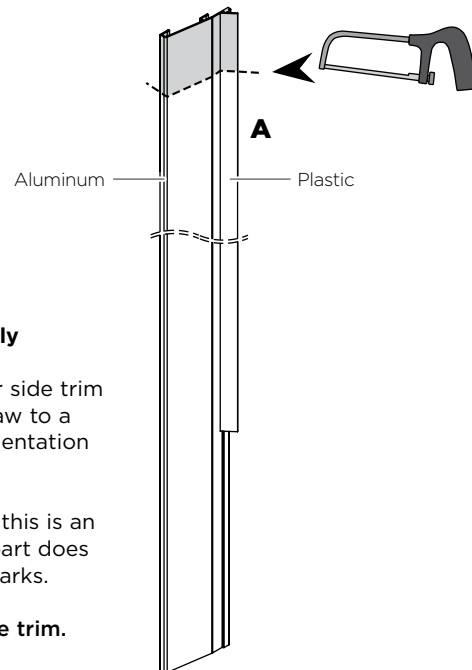
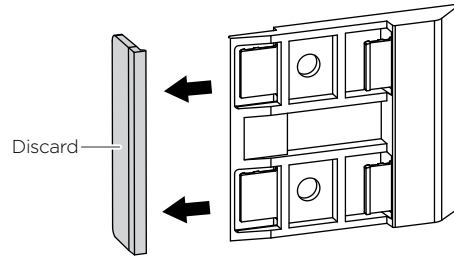
If method A has resulted in poor fitment of side trims due to cabinet being out of spec, use method B.

IMPORTANT!

Before installing your appliance, ensure the dimensions of the finished enclosure are correct for your appliance following the 'Product and cavity dimensions' sections.

- 1 Break off the datum lip to each side trim bracket and discard.

Repeat for all side trim brackets.

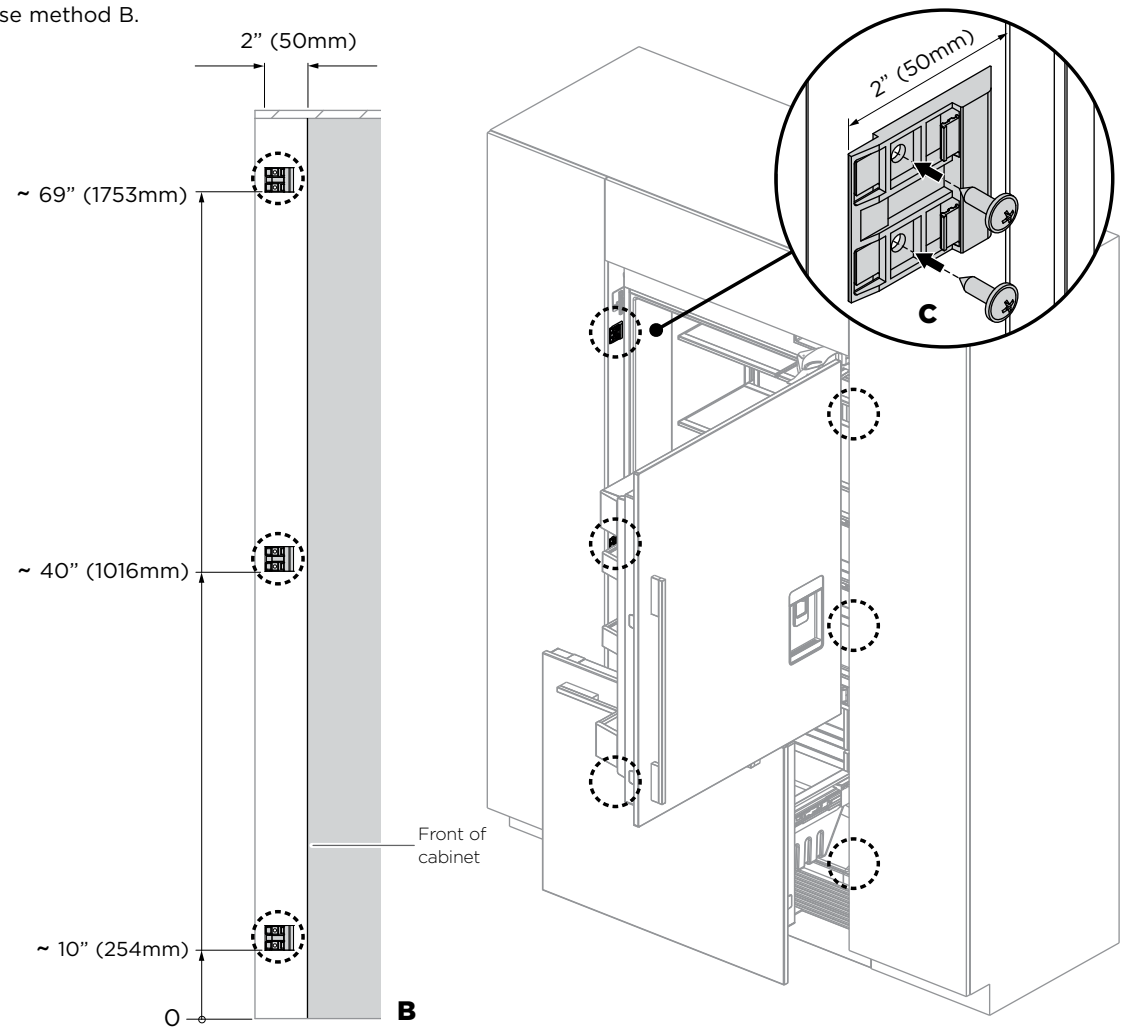


For 80" (2032 mm) cavity installation only

- 2 Measure 4" (102mm) from the top, shorter side trim and carefully cut using a fine tooth hacksaw to a length of 76" (1930mm). Refer to **A** for orientation of side trim.

Note: ensure cut is straight and square as this is an exposed surface. Also ensure the plastic part does not bend as this can cause visual stress marks.

Repeat this process for the remaining side trim.



- 3 Position three side trim brackets on each side (refer to **B** for bracket locations). Open the appliance door. Measure 2" (50mm) from the front of refrigerator (from behind the door), to the front of the alcove and accurately mark a vertical line (refer to **C**).

Align the bracket edge with the marked line and using screws x2 (#8 x 16 mush washer) fix the bracket to the cabinetry x3.

Repeat on the opposite side.

IMPORTANT!

Inaccurate positioning of bracket can result in inability to fit side trim or gaps between side trim and appliance.

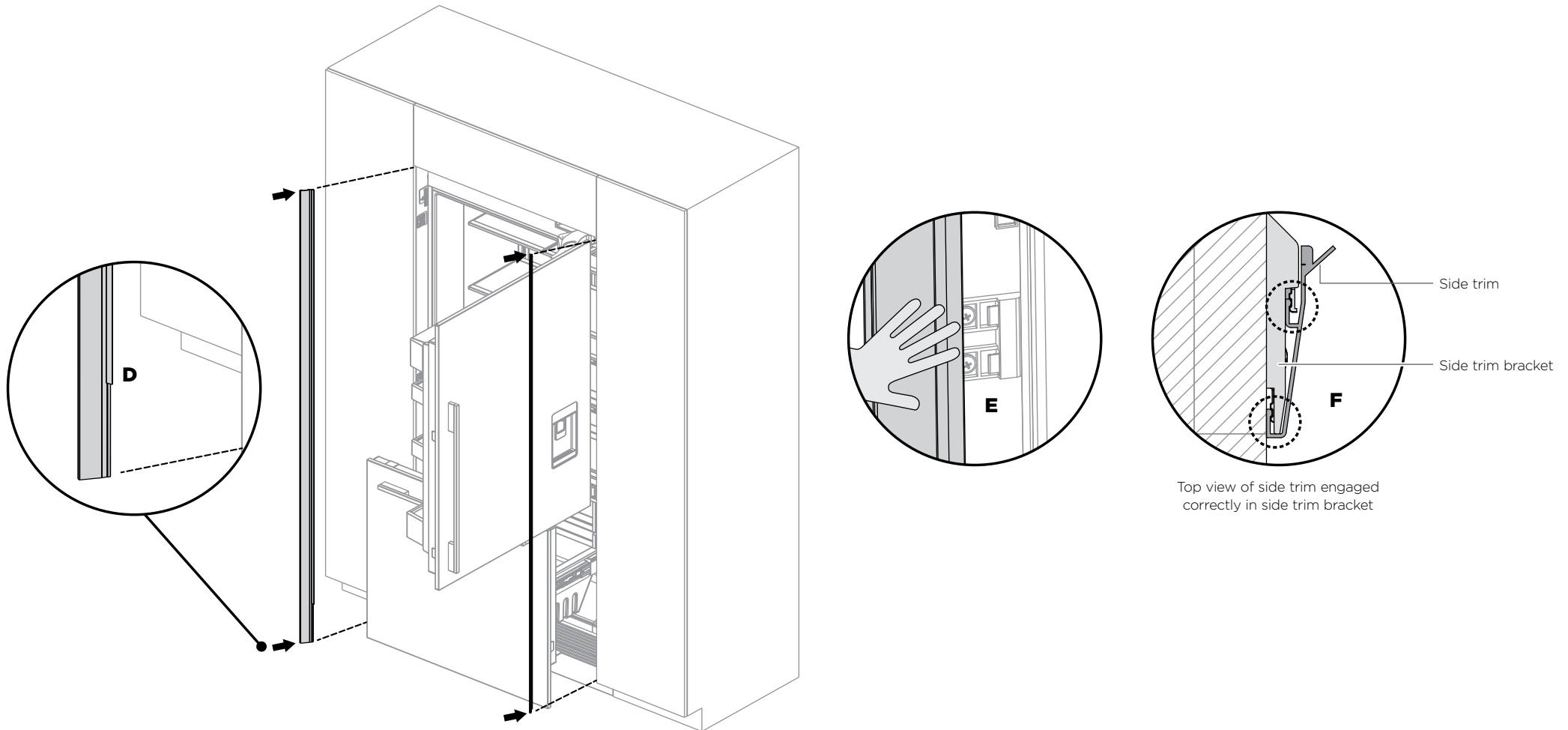
- ④ Place the side trim against the alcove side wall with the shorter lip facing the bottom (refer to **D**).
- Ensure the side trim is positioned as high as it will go.
 - Engage the side trim with the brackets by pushing the trim inwards at the locations of the top and middle side trim brackets. Once the trim has engaged with top and middle brackets, then push and engage the side trim at the location of the bottom bracket (refer to **E**).

IMPORTANT!

- **Ensure there are no visual gaps between the product and side trims.**
- **Each bracket has two engagement points for the trim to locate. Ensure the trim is engaged at both points (refer to **F**).**

Repeat this process for the remaining side trim.

Correct visual gaps by loosening side trim screws and moving trim within clearance. If further adjustment is required, relocate brackets to desired position.

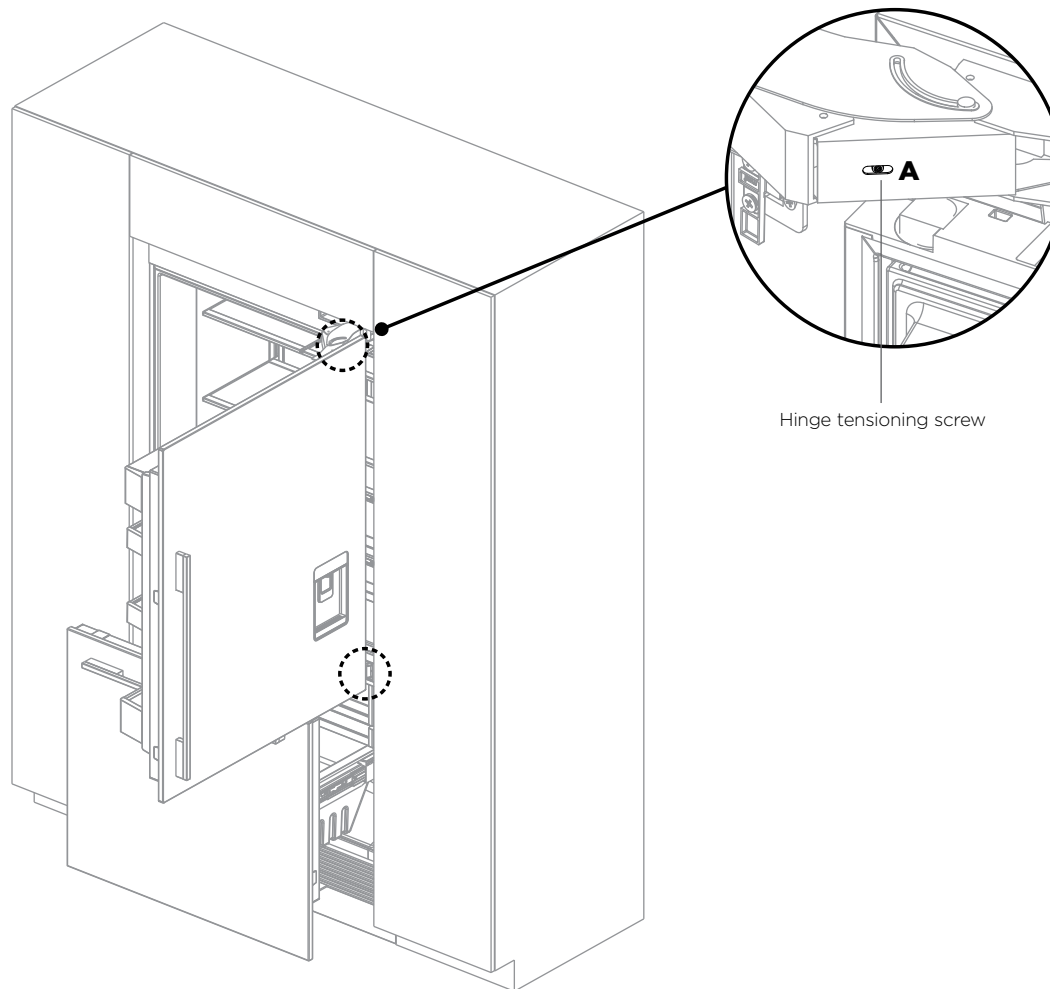


21 ADJUST HINGE TENSIONING SCREWS

Hinge tensioning screws can be tightened if increased door closing force is required.

- ① To ensure the door shuts on its own, when pushed within the self close activation range, the hinge tensioning screws need to be tightened. The hinge tensioning screw is located in the door hinge. To tighten the screw, rotate the screw to the right (refer to **A**).

Repeat this process on bottom hinge tensioning screw.



✓ TO BE COMPLETED BY THE INSTALLER

All models

- Check all parts are installed.
- Ensure the appliance is level.
- Ensure the appliance is securely fastened to the cabinetry with the supplied anti-tip bracket and fittings.
- Ensure the door/drawer can open and close freely with no resistance from surrounding cabinetry.
- Ensure hinge limiting pin is fitted for 90° door swing.
- Ensure all internal and external packaging is removed from the appliance before use.
- Ensure a manual ice maker cycle has been forced.

Ice & Water models only

- Ensure the water filtration system has been flushed.

Complete and keep for safe reference:

Model _____

Serial No. _____

Purchase Date _____

Purchaser _____

Dealer Address _____

Installer's Name _____

Installer's Signature _____

Installation Company _____

Installation Date _____

www.fisherpaykel.com
www.dcsappliances.com

© Fisher & Paykel Appliances 2016. All rights reserved.
The product specifications in this booklet apply to the specific products and models described at the date of issue. Under our policy of continuous product improvement, these specifications may change at any time. You should therefore check with your Dealer to ensure this booklet correctly describes the product currently available.

US CA

844189 A 04.16