

INSTALLATION INSTRUCTIONS

30" ELECTRIC SLIDE-IN RANGE

INSTALLATION AND SERVICE MUST BE PERFORMED BY A QUALIFIED INSTALLER.

**IMPORTANT: SAVE FOR LOCAL ELECTRICAL INSPECTOR'S USE.
READ AND SAVE THESE INSTRUCTIONS FOR FUTURE REFERENCE.**



⚠ WARNING FOR YOUR SAFETY: Do not store or use gasoline or other flammable vapors and liquids in the vicinity of this or any other appliance.



Table of Contents

Important Safety Instructions.....	2	Electrical Connection to the Range	7-8
Product & Cabinet Dimensions.....	3-4	Cabinet Construction	8-9
To Avoid Breakage.....	5	Range Installation.....	9-10
Serial Plate Location.....	6	Leveling the range.....	10
Factory Connected Power Supply Cord	6	Check Operation.....	11
Power Supply Cord Kit	6	Anti-Tip Brackets Installation	12-13
Access to Terminal Block & Grounding Strap.....	6		

Important Notes to the Installer

1. Read all instructions contained in these installation instructions before installing range.
2. Remove all packing material from the oven and the drawer compartments before connecting the electrical supply to the range.
3. Observe all governing codes and ordinances.
4. Be sure to leave these instructions with the consumer.

Important Note to the Consumer

Keep these instructions with your owner's guide for future reference.

30" ELECTRIC SLIDE-IN RANGE INSTALLATION INSTRUCTIONS

IMPORTANT SAFETY INSTRUCTIONS

This manual contains important safety symbols and instructions. Please pay attention to these symbols and follow all instructions given.

⚠ WARNING This symbol will help alert you to situations that may cause serious bodily harm, death or property damage.

⚠ CAUTION This symbol will help alert you to situations that may cause bodily injury or property damage.

⚠ CAUTION Cold temperatures can damage the electronic control. When using the appliance for the first time, or when the appliance has not been used for an extended period of time, be certain the unit has been in temperatures above 32°F (0°C) for at least 3 hours before turning on the power to the appliance.

- **Be sure your range is installed and grounded properly by a qualified installer or service technician.**
- **This range must be electrically grounded in accordance with local codes or, in their absence, with the National Electrical Code ANSI/NFPA No. 70—latest edition in United States or with CSA Standard C22.1, Canadian Electrical Code, Part 1 in Canada.**
- The installation of appliances designed for manufactured (mobile) home installation must conform with Manufactured Home Construction and Safety Standard, title 24CFR, part 3280 [Formerly the Federal Standard for Mobile Home Construction and Safety, title 24, HUD (part 280)] or when such standard is not applicable, the Standard for Manufactured Home Installation 1982 (Manufactured Home Sites, Communities and Setups), ANSI Z225.1/NFPA 501A—latest edition, or with local codes in United States and with CAN/CSA-Z240 MH in Canada.
- **Make sure the wall coverings around the range can withstand the heat generated by the range.**
- **Before installing the range in an area covered with linoleum or any other synthetic floor covering, make sure the floor covering can withstand heat at least 90°F (32,2°C) above room temperature without shrinking, warping or discoloring.** Do not install the range over carpeting unless you place an insulating pad or sheet of ¼" (0,64 cm) thick plywood between the range and carpeting.

⚠ WARNING Never leave children alone or unattended in the area where an appliance is in use. As children grow, teach them the proper, safe use of all appliances. Never leave the oven door open when the range is unattended.

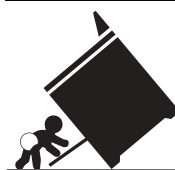
⚠ WARNING Stepping, leaning or sitting on the door or drawer of this range can result in serious injuries and can also cause damage to the range.

- **Do not store items of interest to children in the cabinets above the range.** Children could be seriously burned climbing on the range to reach items.
- **To eliminate the risk of burns or fire by reaching over heated surface units, cabinet storage space above the surface unit should be avoided.** If cabinet storage is to be provided the risk can be reduced by installing a range hood that project horizontally a minimum of 5 inches beyond the bottom of the cabinet.
- **Do not use the oven as a storage space.** This creates a potentially hazardous situation.
- **Never use your range for warming or heating the room.** Prolonged use of the range without adequate ventilation can be dangerous.
- **Do not store or use gasoline or other flammable vapors and liquids near this or any other appliance.** Explosions or fires could result.
- **Reset all controls to the "off" position after using a programmable timing operation.**

FOR MODELS WITH SELF-CLEAN FEATURE:

- **Remove oven racks, broiler pan, food and other utensils before self-cleaning the oven.** Wipe up excess spillage. Follow the precleaning instructions in the Owner's Guide.

⚠ WARNING Tip Over Hazard



- A child or adult can tip the range and be killed.
- Verify the anti-tip device has been installed to floor or wall as per installation instructions.
- Ensure the anti-tip device is re-engaged to floor or wall when the range is moved.
- Do not operate the range without the anti-tip device in place and engaged.
- Failure to follow these instructions can result in death or serious burns to children and adults.



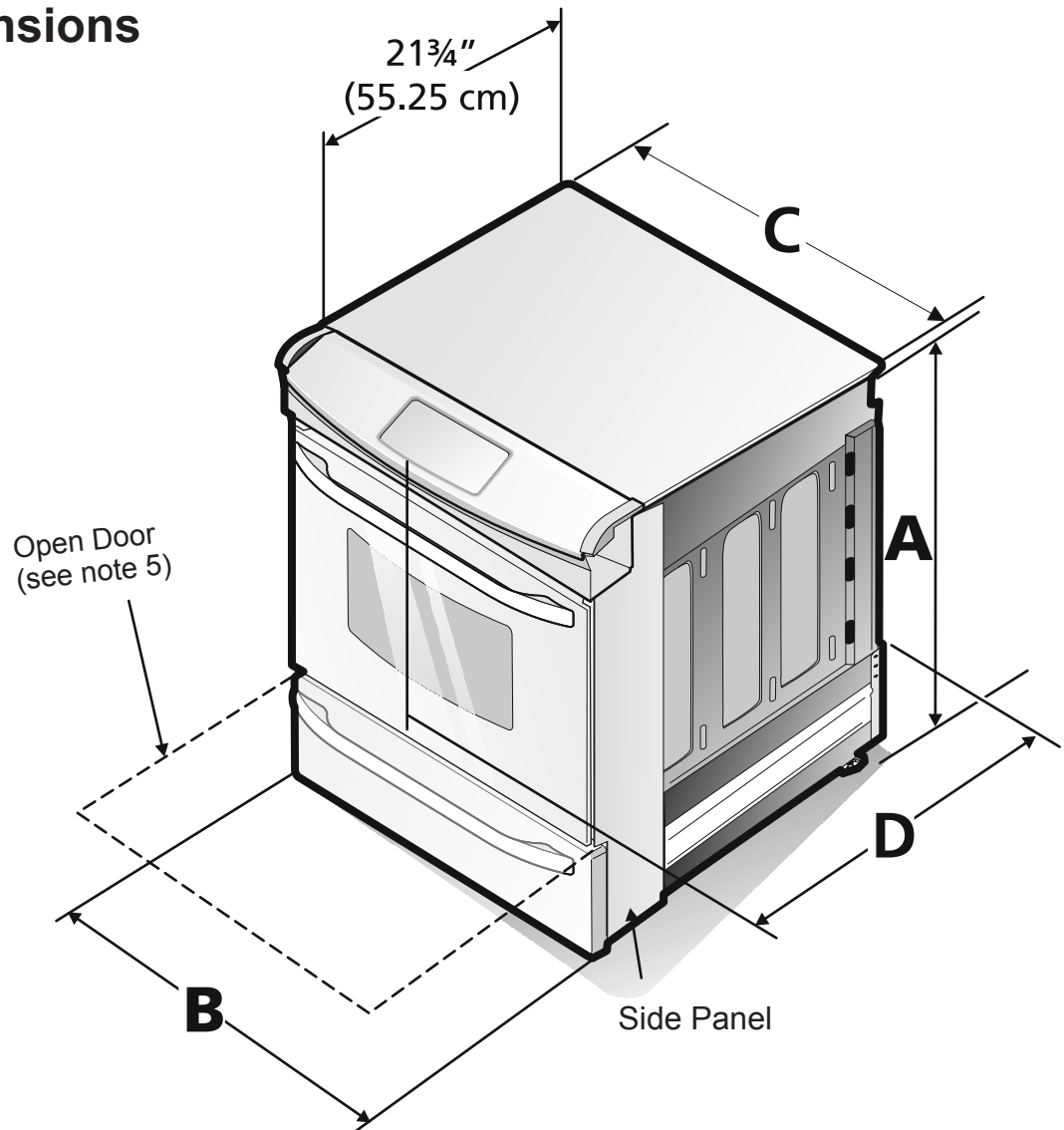
To check if the anti-tip bracket is installed properly, use both arms and grasp the rear edge of range back. Carefully attempt to tilt range forward. When properly installed, the range should not tilt forward.

Refer to the anti-tip bracket **installation instructions** supplied with your range for proper installation.

30" ELECTRIC SLIDE-IN RANGE INSTALLATION INSTRUCTIONS

Product Dimensions

⚠ WARNING Do not install the unit in the cabinet before reading next two pages.



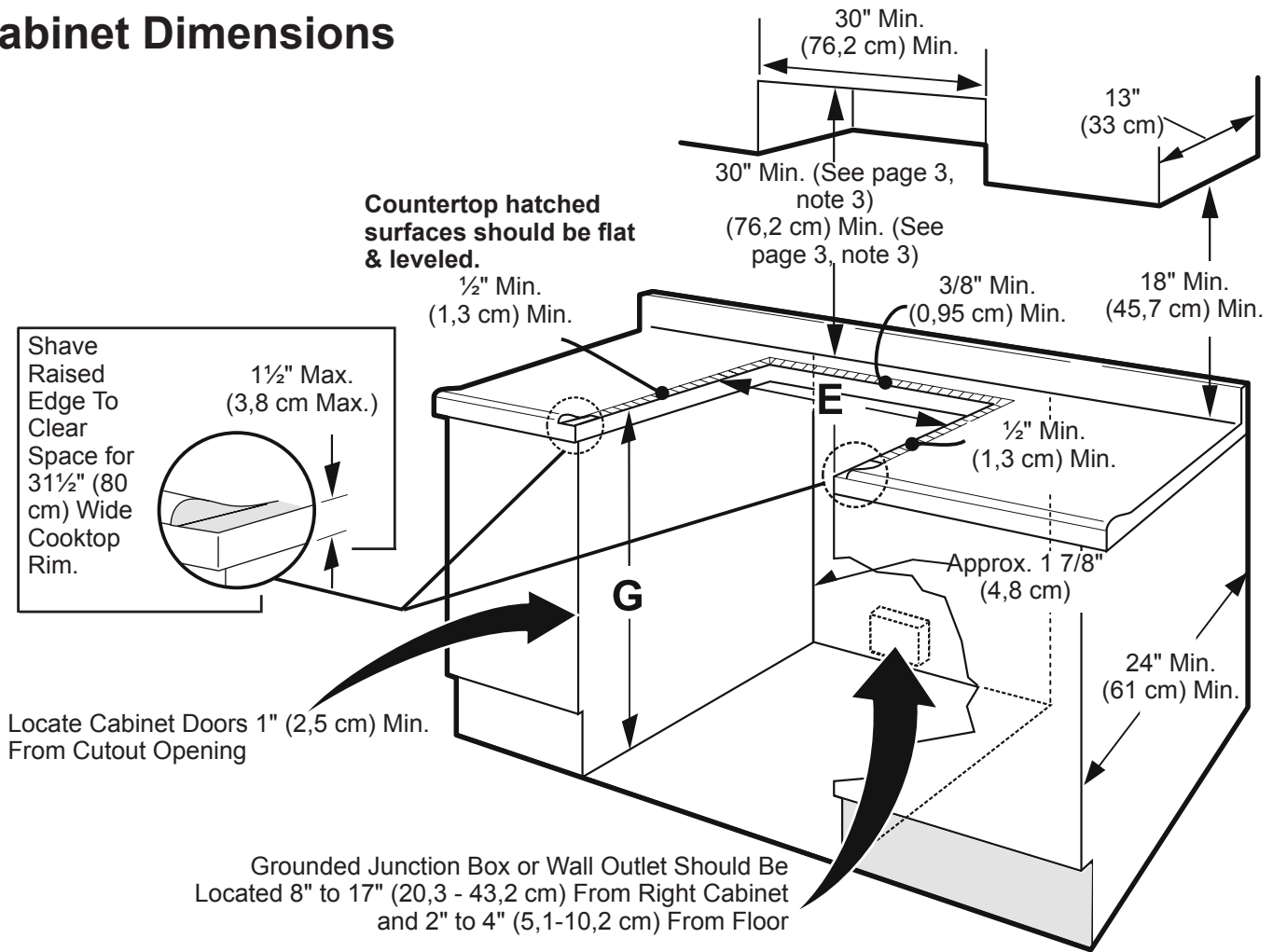
A. HEIGHT (Under Cooktop)	B. WIDTH	C. COOKTOP WIDTH	D. TOTAL DEPTH TO FRONT OF RANGE
35 3/4" (90,8 cm) 36 5/8" (93 cm)	30" (76,2 cm)	31 1/2" (80 cm)	28 5/16" (71,9 cm)

NOTE:

- 1 Do not pinch the power supply cord or the flexible gas conduit between the range and the wall.
- 2 Do not seal the range to the side cabinets.
- 3 24" (61 cm) minimum clearance between the cooktop and the bottom of the cabinet when the bottom of wood or metal cabinet is protected by not less than 1/4" (0,64 cm) flame retardant millboard covered with not less than No. 28 MSG sheet metal, 0,015" (0,4 mm) stainless steel, 0,024" (0,6 mm) aluminum, or 0,020" (0,5 mm) copper.
30" (76,2 cm) minimum clearance when the cabinet is unprotected.
- 4 For cutouts below 22 7/8" (58,1 cm), appliance will slightly show out of the cabinet.
- 5 Allow at least 19 1/4" (48,9 cm) clearance for door depth when it is open.

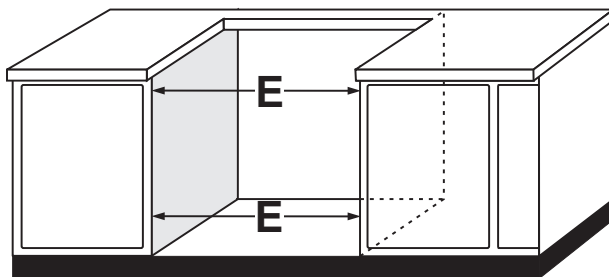
30" ELECTRIC SLIDE-IN RANGE INSTALLATION INSTRUCTIONS

Cabinet Dimensions

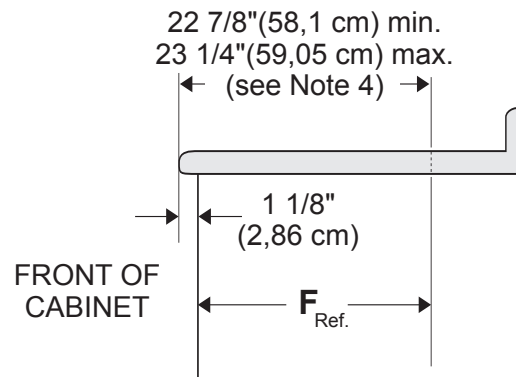


E. CUTOUT WIDTH (Countertop and cabinet)***	F. CUTOUT DEPTH	G. HEIGHT OF COUNTERTOP
30±1/16" (76,2±0,16 cm)	21 3/4" (55,2 cm) Min. 22 1/8" (56,2 cm) Max 24" (61 cm) Min. with backguard	35 7/8" (91,1 cm) Min. 36 5/8" (93 cm) Max.

*****IMPORTANT:** To avoid cooktop breakage for cutout width (E dimension) of more than 30 1/16" (76,4 cm), make sure the appliance is centered in the counter opening while pushing into it. Raise leveling legs and the rear adjustable wheels at a higher position than the cabinet height (see page 5), insert the appliance in the counter and then level. Make sure the unit is supported by the leveling legs at the front and the wheels at the back and NOT by the cooktop itself.



IMPORTANT: Cabinet and countertop width should match the cutout width.



30" ELECTRIC SLIDE-IN RANGE INSTALLATION INSTRUCTIONS

To avoid breakage: Do NOT handle or manipulate the unit by the cooktop.

1 The counter-top around the cut-out should be flat and leveled (see hatched area on illustration 1)

2 Before installing the unit, measure the heights of the two (2) cabinet sides (H1-4), front and back (see illustration 1) from the floor to the top of the counter.

Shave Raised Edge to Clear Space for a 31½" (80 cm) Wide Cooktop.

1 ½" Max. (3.8 cm Max.)

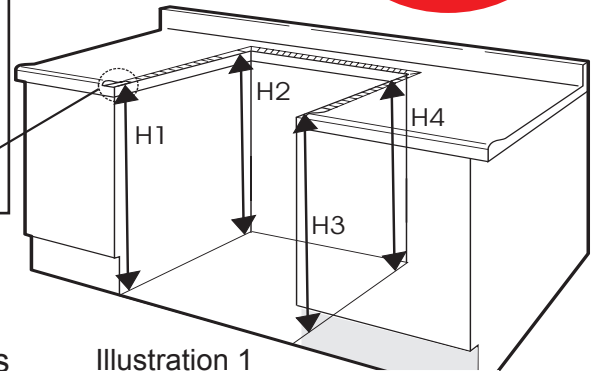


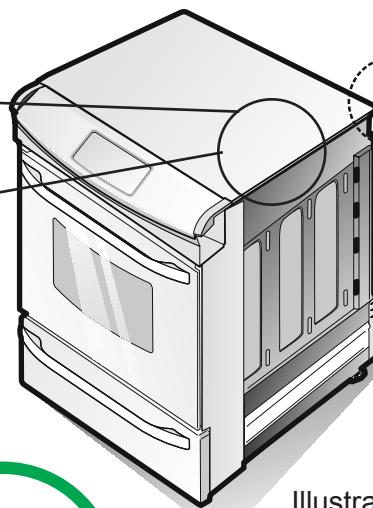
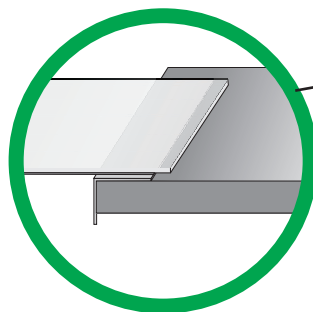
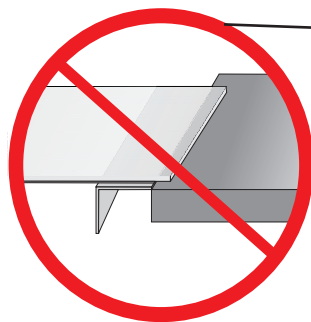
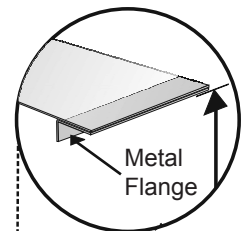
Illustration 1

3 Level the range using the leveling legs and leveling device (if equipped) so that the height from the floor to the underside of the cooktop glass frame is greater than the tallest cabinet measurement by at least 1/16" (0,16 cm) (see illustration 2).

4 Slide the unit into the cabinet. Make sure the center of the unit is aligned with the center of the cabinet cut-out.

5 Remove the protective channels on each side of the cooktop (if provided).

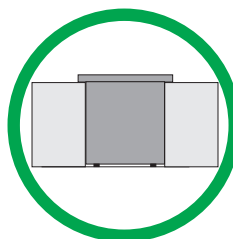
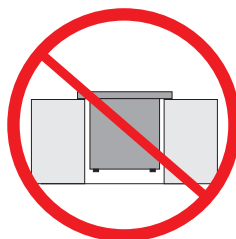
6 The metal flange under each side of the cooktop **MUST** be placed over the cabinet countertop for proper unit support. The cooktop should **NOT** rest directly on the countertop (see illustration 2) or else it could cause damage to the cooktop voiding the warranty. Level the unit if needed.



To successfully install the range, the initial level height from floor to underside of cooktop frame should be at least 1/16" (0,16 cm) taller than cabinet sides as measured in step 2.

Illustration 2

7 After the installation, **MAKE SURE** that the unit is supported by the leveling legs and **NOT** by the cooktop.



30" ELECTRIC SLIDE-IN RANGE INSTALLATION INSTRUCTIONS

1. Serial Plate Location

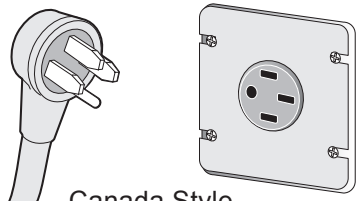
You will find the model and serial number printed on the serial plate. The serial plate is located as shown.

Remember to record the serial number for future reference.



2. Factory Connected Power Supply Cord (Canada only)

This range is equipped with a factory-connected power cord (see Figure 1). Cord must be connected to a grounded 120/240 volt or 120/208 volt range outlet. If no outlet is available, have one installed by a qualified electrician.



Canada Style
Figure 1

3. Power Supply Cord Kit (U.S.A.)

The user is responsible for connecting the power supply cord to the connection block located behind the back panel access cover.

This appliance may be connected by means of permanent "hard wiring"; flexible armored or nonmetallic shielded copper cable (when local code allow it) or by means of a power supply cord kit.

NOTE: Electric Slide-in Range is shipped from factory with 1 1/8" (2,9 cm) dia. hole as shown on figure 3. If a larger hole is required, punch out the knockout.

⚠ WARNING Risk of fire or electrical shock exists if an incorrect size range cord kit is used, the Installation Instructions are not followed, or the strain relief bracket is discarded.

For mobile homes, new installations or recreational vehicles, use only a power supply kit designed for a range at 125V/250V 50A recommended (minimum 40A). Cord must have either 3 (when local code permits grounding through neutral) or 4 conductors. Terminal on end of wires must be either closed loop or open spade lug with upturned ends. Cord must have strain-relief clamp.

⚠ CAUTION Do not loosen the nuts which secure the factory-installed range wiring to terminal block while connecting range. Electrical failure or loss of electrical connection may occur.

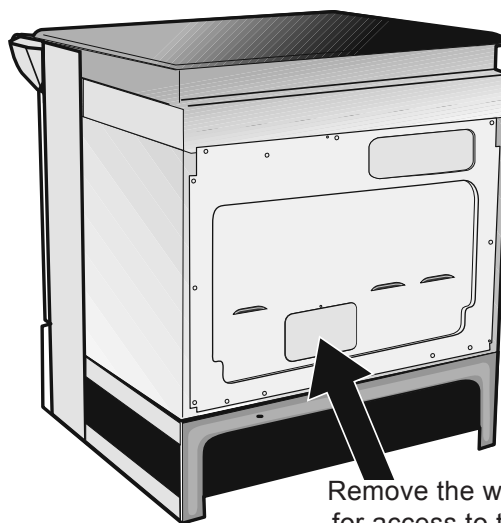
⚠ WARNING

Electrical Shock Hazard

- Electrical ground is required on this appliance.
- Do not connect to the electrical supply until appliance is permanently grounded.
- Disconnect power to the circuit breaker or fuse box before making the electrical connection.
- This appliance must be connected to a grounded, metallic, permanent wiring system, or a grounding connector should be connected to the grounding terminal or wire lead on the appliance.

Failure to do any of the above could result in a fire, personal injury or electrical shock.

4. Access to Terminal Block & Grounding Strap (U.S.A.)



Remove the wire cover here for access to terminal block

Figure 2

⚠ WARNING This appliance is manufactured with the frame grounded by connection of a grounding strap between the neutral power supply terminal and the frame. If used in USA, in a new branch circuit installation (1996 NEC), mobile home or recreational vehicle, where local code do not permit grounding through neutral (white) wire or in Canada; remove the grounding strap from the frame and cut the other end, near the neutral terminal. Connect the appliance in usual manner.

30" ELECTRIC SLIDE-IN RANGE INSTALLATION INSTRUCTIONS

5. Electrical Connection to the Range (U.S.A.)

Three Conductor Wire Connection to Range

If local codes permit connection of the frame grounding conductor to the neutral wire of the copper power supply cord (see Figure 3):

1. Remove the screw which is fixing the rear wire cover, then remove the rear wire cover (access cover) to expose range terminal connection block (see Figure 2).
2. Using the nuts supplied in the literature package, connect the neutral of the copper power supply cord to the center silver-colored terminal of the terminal block, and connect the other wires to the outer terminals. Match wires and terminals by color (red wires connected to the right terminal, black wires connected to the left terminal) (see figure 3).
3. Put back the rear wire cover using the screw removed on step 1.

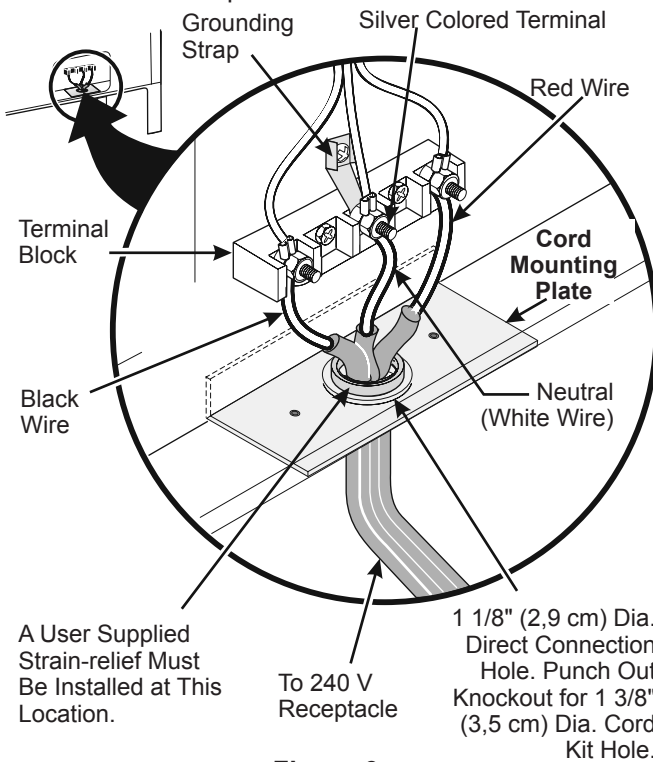


Figure 3

Four Conductor Wire Connection to Range

Where local codes does NOT permit connection of the frame grounding conductor to the neutral wire of the copper power supply cord (see Figure 4):

1. Remove the screw which is fixing the rear wire cover, then remove the rear wire cover (access cover) to expose range terminal connection block (see Figure 2).
2. Remove the grounding strap from the terminal block and from the appliance frame.
3. Using the nuts supplied with the literature package, connect the ground wire (green) of the copper power supply cord to the frame of the appliance with the ground screw, using the hole in the frame where the ground strap was removed (see Figure 4).
4. Connect the neutral of the copper power supply cord to the center silver-colored terminal of the terminal block, and connect the other wires to the outer terminals. Match wires and terminals by color (red wires connected to the right terminal, black wires connected to the left terminal).
5. Put back the rear wire cover using the screw removed on step 1.

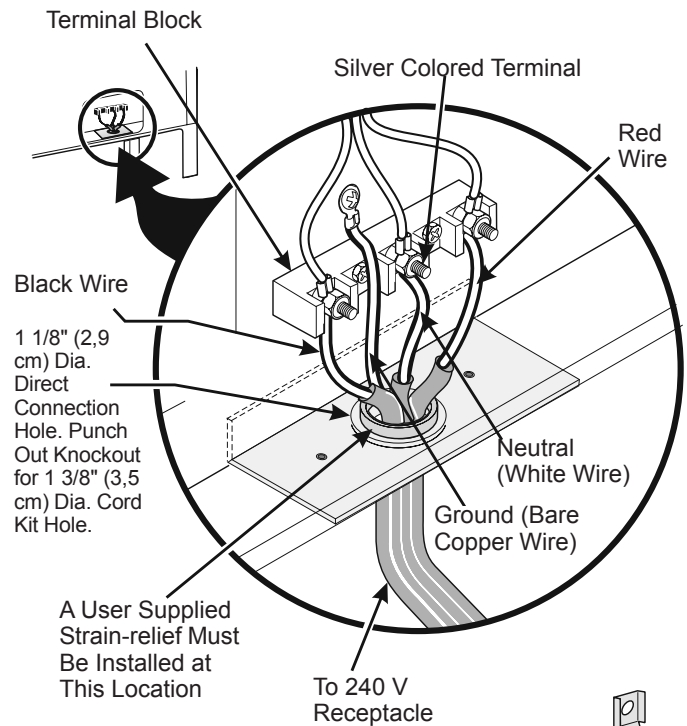
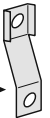


Figure 4

NOTE: Be sure to remove the supplied grounding strap.



30" ELECTRIC SLIDE-IN RANGE INSTALLATION INSTRUCTIONS

Direct Electrical Connection to the Circuit Breaker, Fuse Box or Junction Box

If the appliance is connected directly to the circuit breaker, fuse box or junction box, use flexible, armored or nonmetallic sheathed copper cable (with grounding wire). Supply a U.L. listed strain-relief at each end of the cable. At the appliance end, the cable goes through the Direct Connection Hole (see Figure 4) on the Cord Mounting Plate. Wire sizes (**copper wire only**) and connections must conform to the rating of the appliance.

Where local codes permit connecting the appliance-grounding conductor to the neutral (white) wire (see Figure 5):

1. Be sure that no power is supplied on the cable from residence.
2. Remove the grounding strap from the terminal block and from the appliance frame.
3. In the circuit breaker, fuse box or junction box:
 - a) Connect the green (or bare copper) wire, the white appliance cable wire, and the neutral (white) wire together.
 - b) Connect the 2 black wires together.
 - c) Connect the 2 red wires together.

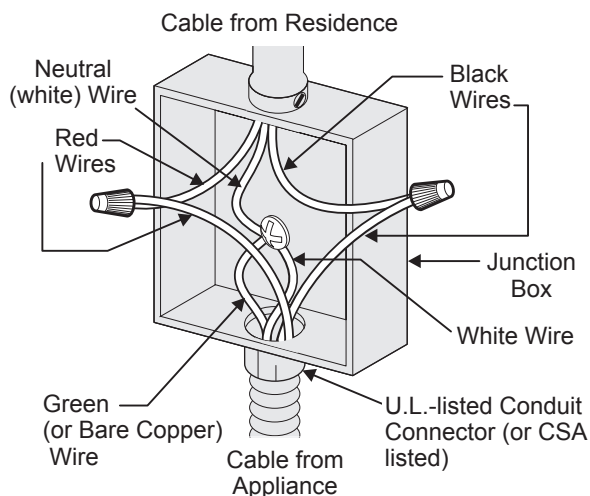


Figure 5 - 3-Wire (Grounded Neutral) Electrical System (Example: Junction Box)

Where local codes DO NOT permit connecting the appliance-grounding conductor to the neutral (white) wire, or if connecting to 4-wire electrical system (see Figure 6):

1. Be sure that no power is supplied on the cable from residence.
2. Remove the grounding strap from the terminal block and from the appliance frame.
3. In the circuit breaker, fuse box or junction box:
 - a) Connect the white appliance cable wire to the neutral (white) wire.
 - b) Connect the 2 black wires together.
 - c) Connect the 2 red wires together.
 - d) Connect the green (or bare copper) grounding wire to the grounding wire of the circuit breaker, fuse box or junction box.

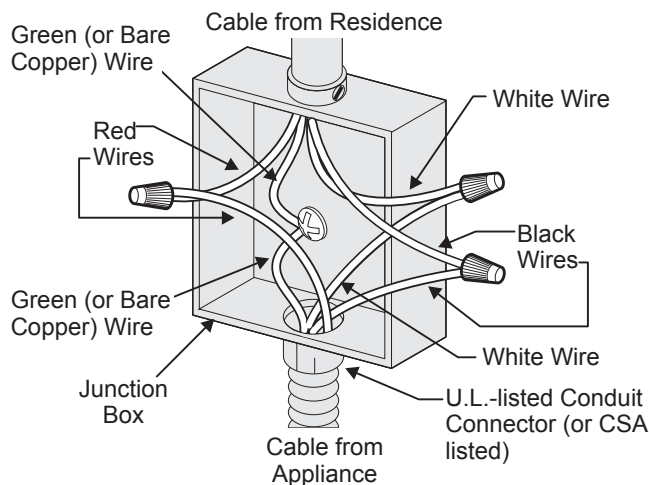


Figure 6 - 4-Wire Electrical System (Example: Junction Box)

6. Cabinet Construction

6.1 CAUTION To eliminate the risk of burns or fire by reaching over heated surface units, do not have cabinet storage space above the range. If there is cabinet storage space above range, reduce risk by installing a range hood that projects horizontally a minimum of 5" (12,7 cm) beyond the bottom of the cabinet.

6.2 Countertop Preparation

- The cooktop sides of the range fit over the cutout edge of your countertop.
- If you have a **square finish (flat) countertop**, no countertop preparation is required. Cooktop sides lay directly on edge of countertop.
- **Formed front-edged countertops** must have molded edge shaved flat 3/4" (1,9 cm) from each front corner of opening (Figure 7).
- **Tile countertops** may need trim cut back 3/4" (1,9 cm) from each front corner and/or rounded edge flattened (Figure 7).
- **If the existing cutout width is greater than 30 1/16" (76,4 cm)**, reduce the 3/4" (1,9 cm) dimension.

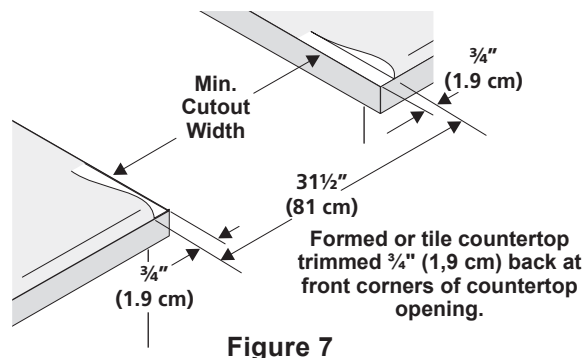


Figure 7

30" ELECTRIC SLIDE-IN RANGE INSTALLATION INSTRUCTIONS

- **Countertop must be level.** Place a level on the countertop, first side to side, then front to back. If the countertop is not level, the range will not be level. The oven must be level for satisfactory baking results. Cooktop sides of range fit over edges of countertop opening

7. Range Installation

Important Note: Door removal is not a requirement for installation of the range, but is an added convenience. Refer to the Use and Care Guide for oven door removal instructions.

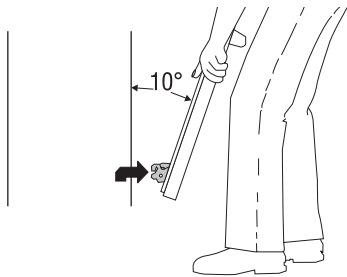


Figure 8

Standard Installation

- 7.1** The range cooktop overlaps the countertop at the sides and the range rests on the floor. The cooktop is 31½" (80 cm) wide.
- 7.2** Install base cabinets 30" (76,2 cm) apart. Make sure they are plumb and level before attaching cooktop. Shave raised countertop edge to clear 31½" (80 cm) wide range top rim.
- 7.3** Install cabinet doors 32" (81,3 cm) min. apart so as not to interfere with range door opening.
- 7.4** Cutout countertop exactly as shown on page 4.

For models equipped with Leveling Device:

- 7.5** Make sure the front leveling legs and the rear leveling device are setup higher than the height of the cabinet.
- 7.6** **⚠ CAUTION** Install the anti-tip bracket at this point before placing the range at its final position. Follow the installation instructions on page 12 or on the anti-tip bracket template supplied with the range.
- 7.7** To provide an optimum installation, the top surface of the countertop must be level and flat (lie on the same plane) around the 3 sides that are adjacent to range cooktop. Proper

adjustments to make the top flat should be made or gaps between the countertop and the range cooktop may occur.

- 7.8** **⚠ CAUTION** To reduce the risk of damaging your appliance, do not handle or manipulate it by the ceramic glass. Manipulate with care.
- 7.9** Position range in front of the cabinet opening.
- 7.10** Make sure that the cooktop glass which overhangs the countertop clears the countertop. If necessary, raise the unit by lowering the leveling legs.
- 7.11** Slide the range into the cutout opening and center it before leveling it.
- 7.12** **Level the range** (see section 8). The floor where the range is to be installed must be level. Follow the instructions under "Leveling the Range- Models Equipped with Leveling Device".
- 7.13** Adjust leveling legs so that the underside of the cooktop is sitting on the countertop. Carefully screw in (refer to Leveling the range: Models equipped with Leveling Device") the back leveling leg until the cooktop glass overhang touches slightly the countertop. Then carefully screw in the front two leveling legs until the cooktop glass overhang touches slightly the countertop.

For models equipped with Leveling Leg only (no leveling device):

- 7.5** Make sure the four leveling legs (front and rear) are setup higher than the height of the cabinet.
- 7.6** **⚠ CAUTION** Install the anti-tip bracket at this point before placing the range at its final position. Follow the installation instructions on page 13 or on the anti-tip bracket template supplied with the range.
- 7.7** To provide an optimum installation, the top surface of the countertop must be level and flat (lie on the same plane) around the 3 sides that are adjacent to range cooktop. Proper adjustments to make the top flat should be made or gaps between the countertop and the range cooktop may occur.
- 7.8** **⚠ CAUTION** To reduce the risk of damaging your appliance, do not handle or manipulate it by the ceramic glass. Manipulate with care.

30" ELECTRIC SLIDE-IN RANGE INSTALLATION INSTRUCTIONS

7.9 Position range in front of the cabinet opening.

7.10 Make sure that the glass which overhangs the countertop clears the countertop. If necessary, raise the unit by lowering the leveling legs.

7.11 **Level the range** (see section 8). The floor where the range is to be installed must be level. Follow the instructions under "Leveling the Range-Models Equipped with Leveling Legs".

7.12 Slide the range into the cutout opening.

IMPORTANT If Accessories Needed :

Installation With Backguard

The cutout depth of (21 3/4" (55,2 cm) Min., 22 1/8" (56,2 cm) Max.) needs to be increased to 24" (61 cm) when installing a backguard.

Installation With End Panel

A End Panel kit can be ordered through a Service Center.

Installation With Side Panels

A Side Panels kit can be ordered through a Service Center. Note: Install cabinet doors 32" (81,3 cm) min. apart so as not to interfere with range door opening.

6. After leveling the range, the rear leveling legs (located beside the rear wheels) must be lowered almost to the floor level (leave a small gap). This is necessary to secure the unit to the anti-tip bracket.

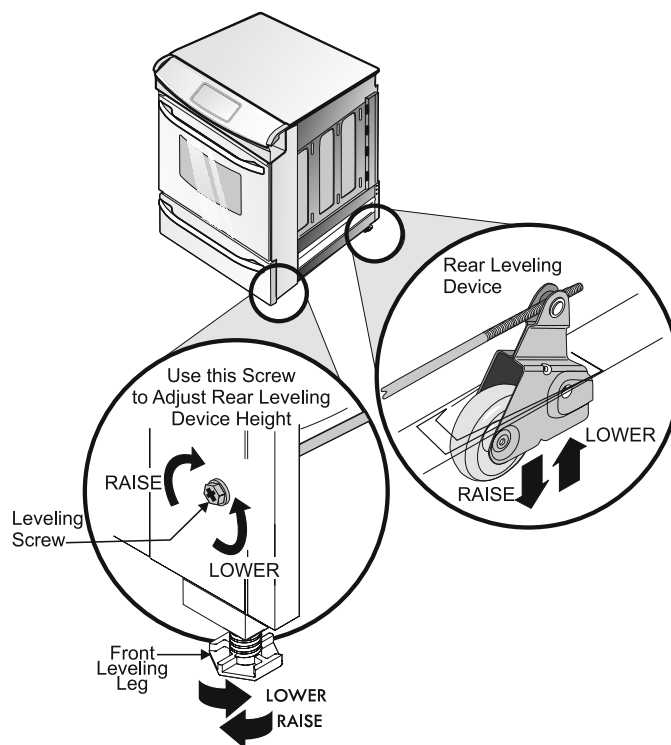


Figure 9

8. Leveling the range

8.1 Models Equipped with Leveling Device

Level the range after installation in the cutout opening.

1. Open the range drawer. The leveling screws control the height of the rear wheels.
2. Adjust the appliance wheels and legs as follows until the underside of the cooktop surface is sitting level on the countertop (Figure 9).
 - a. To adjust the front legs, use a wrench on the leg base and turn clockwise to lower or counterclockwise to raise.
 - b. To adjust the rear wheels, use a ratchet or a nutdriver and turn the leveling screws counterclockwise to lower or clockwise to raise.
3. Check if the range is level by installing an oven rack in the center of the oven and placing a level on the rack (Figure 10).
4. Take 2 readings with the level placed diagonally in one direction and then the other. Level the range, if necessary, by adjusting the leveling legs and wheels.
5. If the range cannot be level, contact a carpenter to correct sagging or sloping floor.

8.2 Models Equipped with Leveling Legs

Level the range and set cooktop height before installation in the cut-out opening.

1. Install an oven rack in the center of the oven.
2. Place a level on the rack (see Figure 10). Take 2 readings with the level placed diagonally in one direction and then the other. Level the range, if necessary, by adjusting the 4 leg levelers with a wrench (see Figure 16).
3. Taking care to not damage the countertop, slide range into cutout opening and double check for levelness.

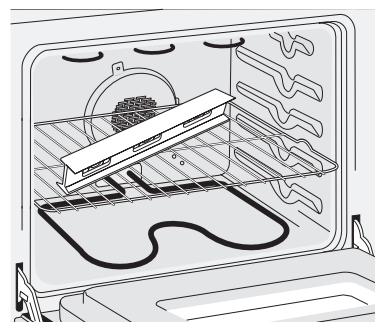


Figure 10

30" ELECTRIC SLIDE-IN RANGE INSTALLATION INSTRUCTIONS

9. Check Operation

Refer to the Use and Care Guide packaged with the range for operating instructions and for care and cleaning of your range.

⚠ CAUTION Do not touch the elements. They may be hot enough to cause burns.

Remove all packaging from the oven and the warmer drawer (if equipped) before testing.

9.1 Operation of Surface Elements

Turn on each of the four surface elements and check to see that they heat. Check the surface element indicator light(s), if equipped.

9.2 Operation of Oven Elements

The oven is equipped with an electronic oven control. Each of the functions has been factory checked before shipping. However, it is suggested that you verify the operation of the electronic oven controls once more. Refer to the Use & Care Guide for operation. Follow the instructions for the Clock, Timer, Bake, Broil, Convection (some models) and Clean functions.

Bake—After setting the oven to 350°F (177°C) for baking, the lower element in the oven should become red.

Broil—When the oven is set to BROIL, the upper element in the oven should become red.

Clean—When the oven is set for a self-cleaning cycle, the upper element should become red during the preheat portion of the cycle. After reaching the self-cleaning temperature, the lower element will become red.

Convection (some models)—When the oven is set to CONV. BAKE/ROAST at 350°F (177°C), the convection element cycles on and off and the convection fan turns. The convection fan will stop turning when the oven door is opened during convection baking or roasting.

Warmer Drawer (some models)—Set the control to HI and check to see the drawer is heating.

When Power Connection is Completed

Make sure all controls are left in the OFF position.

Model and Serial Number Location

The serial plate is located on the oven front frame behind the oven door (some models) or behind the drawer (some models).

When ordering parts for or making inquiries about your range, always be sure to include the model and serial numbers and a lot number or letter from the serial plate on your range.

Before You Call for Service

Read the Before You Call for Service Checklist and operating instructions in your **Use & Care Guide**. It may save you time and expense. The list includes common occurrences that are not the result of defective workmanship or materials in this appliance.

Refer to your **Use & Care Guide** for service phone numbers.

30" ELECTRIC SLIDE-IN RANGE INSTALLATION INSTRUCTIONS

10. Anti-Tip Brackets Installation

10.1 Models Equipped with Leveling Device

⚠ WARNING To reduce the risk of tipping of the range, the range must be secured to the floor by properly installed anti-tip bracket and screws packed with the range. These parts are located in the oven. Failure to install the anti-tip bracket will allow the range to tip over if excessive weight is placed on an open door or if a child climbs upon it. Serious injury might result from spilled hot liquids or from the range itself.

Follow the instructions below to install the anti-tip brackets.

If range is ever moved to a different location, the anti-tip brackets must also be moved and installed with the range.

Tools Required:

Adjustable Wrench
Ratchet
Drill & 1/8" (0,32 cm) bit
5/16" (0,8 cm) Nutdriver
Level

The anti-tip bracket attaches to the floor (or back wall) at the back of the range to prevent range from tipping. When fastening bracket to the floor, be sure that screws do not penetrate electrical wiring or plumbing. The screws provided will work in either wood or concrete.

1. Draw a center line (CL) on the floor where the range should be installed. Also draw a line on the floor at the range back position if there is no wall.
2. Unfold paper template and place it flat on the floor with the right rear corner positioned exactly on the intersection of the center and back lines you just drew before. (Use the diagram below to locate brackets if template is not available. (Figure 11))
3. Mark on the floor (or wall) the location of the mounting holes shown on the template. For easier installation, 3/16" (0,48 cm) diameter pilot holes 1/2" (1,27 cm) deep can be drilled into the floor (or wall).
4. Remove template and place bracket on floor. Line up holes in bracket with marks on floor/wall and attach with screws provided. Bracket must be secured to solid floor or wall (Figure 12). If attaching to concrete floor, first drill 3/16" (0,48 cm) dia. pilot holes using masonry drill bit.
5. Be sure the 4 levelling legs are at the highest position they can be.
6. Slide range into place making sure structure of the range is trapped by the anti-tip bracket (Figure 14). Lower the range by adjusting the levelling legs until the underside of the cooktop is sitting level on the countertop. Refer to "Levelling the Range" section.
7. After installation, verify that the anti-tip bracket is engaged by grasping the top rear edge of the range and carefully attempt to tilt it forward to make sure range is properly anchored.

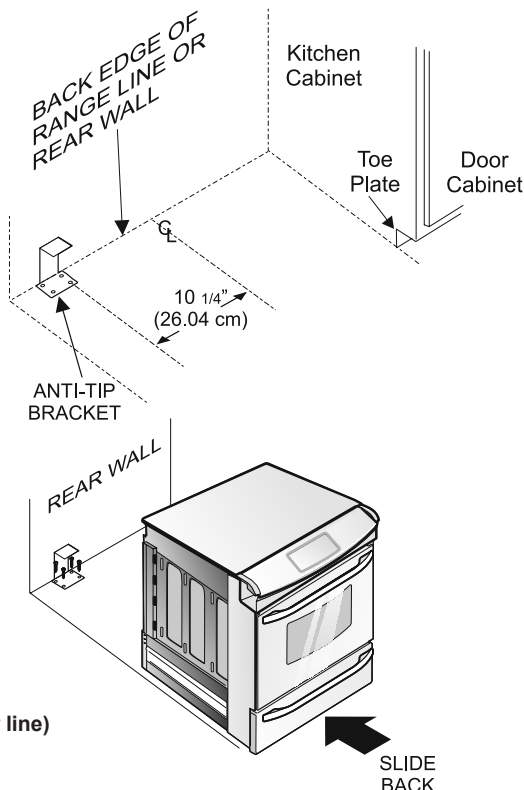


Figure 11

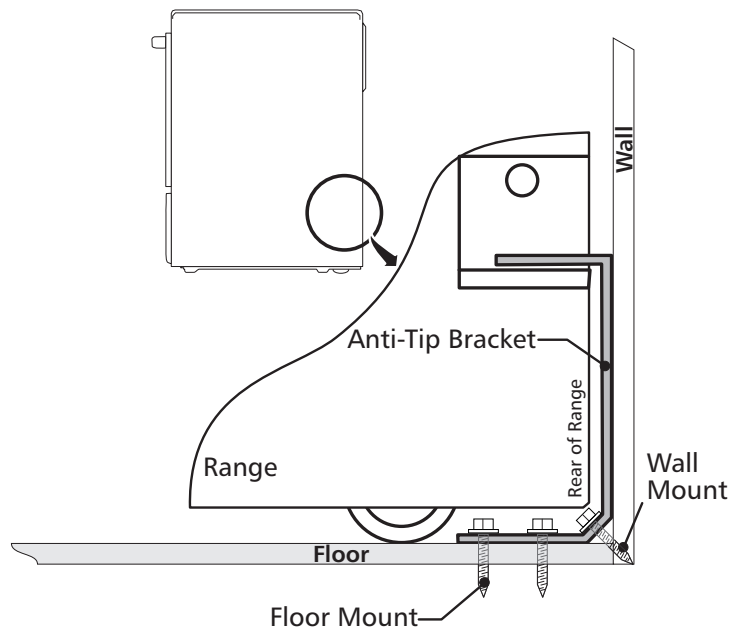


Figure 12

30" ELECTRIC SLIDE-IN RANGE INSTALLATION INSTRUCTIONS

10.2 Models Equipped with Leveling Legs

⚠ WARNING To reduce the risk of tipping of the range, the range must be secured to the floor by the properly installed anti-tip bracket and screws packed with the range. Failure to install the anti-tip bracket will allow the range to tip over if excessive weight is placed on an open door or if child climbs upon it. Serious injury might result from spilled hot liquids or from the range itself.

If range is ever moved to a different location, the anti-tip bracket must also be moved and installed with the range.

Instructions are provided for installation in wood or cement floor. When fastening to floor, be sure that screws do not penetrate electrical wiring or plumbing.

A. Locate the Bracket Using the Template - Locate the bracket position (right or left side) by placing the template symmetrically to the center of the final range position. Mark the location of the screw holes, shown on template.



Figure 13

B. Drill Pilot Holes and Fasten Bracket - Drill a 1/8" (0,3 cm) pilot hole where screws are to be located. If bracket is to be mounted to the wall, drill pilot hole at an approximate 20° downward angle. If bracket is to be mounted to masonry or ceramic floors, drill a 3/16" (0,5 cm) pilot hole 1-3/4" (4,4 cm) deep. The screws provided may be used in wood or concrete material. Use a 5/16" (0,8 cm) nut-driver or flat head screwdriver to secure the bracket in place.

FASTEN BRACKET (WALL OR FLOOR MOUNTING)

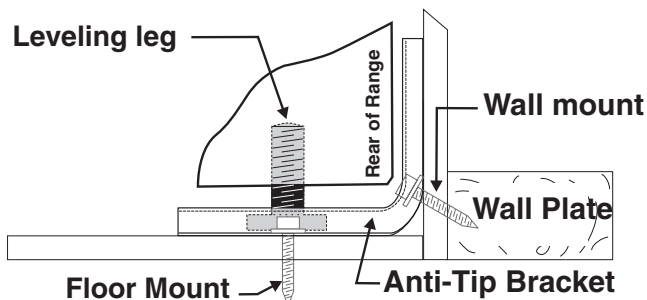


Figure 14

C. Level and position the range - Slide range to its final position. Insert the range leveling leg in the anti-tip bracket. Visually verify if the anti-tip bracket is engaged. Lower the range by adjusting the 4 leveling legs alternatively until the range is level. Check if the range is level by placing a spirit level on the oven rack. Take 2 readings with the spirit level placed diagonally; take a reading in one direction and then in the other direction. Level the range if necessary by adjusting the leveling legs.

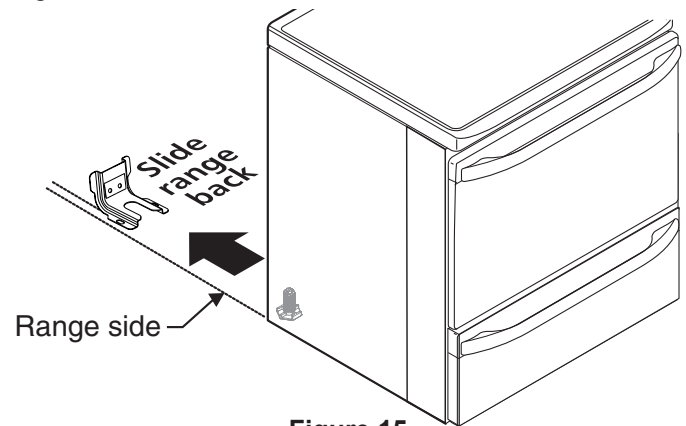


Figure 15

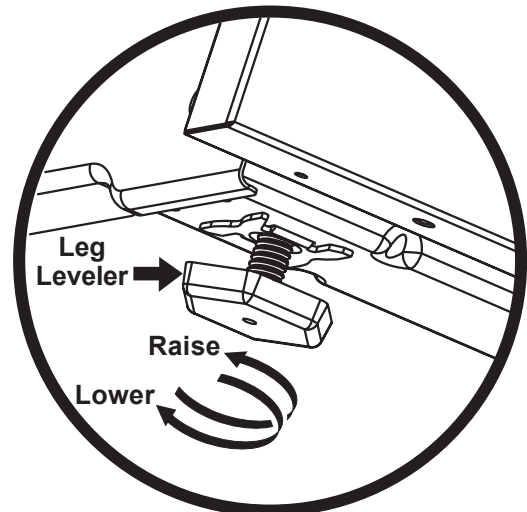


Figure 16

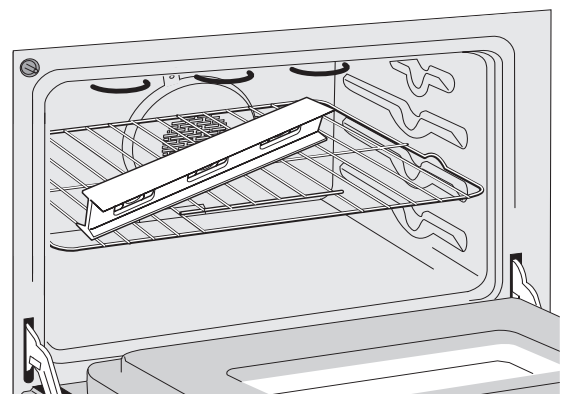


Figure 17

INSTRUCCIONES DE INSTALACIÓN ESTUFA ELÉCTRICA EMPÓTRALES DE 30"

LA INSTALACIÓN Y EL SERVICIO DEBEN SER EFECTUADOS POR UN
INSTALADOR CALIFICADO.

**IMPORTANTE: GUARDE ESTAS INSTRUCCIONES PARA USO DEL INSPECTOR
LOCAL DE ELECTRICIDAD. LEA Y GUARDE ESTAS INSTRUCCIONES PARA
REFERENCIA FUTURA.**



**⚠️ ADVERTENCIA PARA SU SEGURIDAD: No
almacene ni utilice gasolina u otros vapores y
líquidos inflamables en la proximidad de este o de
cualquier otro artefacto.**



Tabla de materias

Importantes instrucciones de seguridad.....	14	Construcción del armario.....	21
Dimensiones de la unidad y de la gabinete.....	15-16	Instalación de la estufa.....	21
Para evitar fractura de la unidad	17	Nivelación de la estufa	22
Ubicación de la placa de serie.....	18	Comprobación del Funcionamiento.....	22
Cable de fuente de energía	18	Instrucciones para la instalación de las fijaciones de anti-inclinacion	23
Estuche de cable del suministro eléctrico	18	Notas	24
Acceso al bloque de terminales.....	18		
Conexión eléctrica a la cocina.....	19-20		

Notas importantes para el instalador

1. Lea todas las instrucciones antes de instalar la cocina.
2. Retire todo material de empaquetado del horno y de la gaveta de entibiado antes de conectar el suministro eléctrico a la cocina.
3. Observe todo código o reglamento.
4. Asegúrese de dejar estas instrucciones con el consumidor

Nota importante para el consumidor

Mantenga estas instrucciones con el manual del usuario para futuras referencias.

INSTRUCCIONES DE INSTALACIÓN PARA LA ESTUFA ELÉCTRICA DESLIZABLE DE 30"

IMPORTANTES INSTRUCCIONES DE SEGURIDAD

Este manual contiene importantes mensajes de seguridad. Siempre lea y obedezca todo mensaje de seguridad.

⚠ ADVERTENCIA Indica una situación muy peligrosa, la cual de no ser evitada puede ocasionar graves heridas y hasta la muerte.

⚠ ATENCION Indica una situación de peligro inminente, la cual de no ser evitada puede ocasionar heridas leves o daños al producto solamente.

⚠ ADVERTENCIA Los controles eléctricos pueden ser dañados con frías temperaturas. Cuando utilice su estufa por la primera vez, o si no ha sido utilizada por mucho tiempo asegúrese que no haya sido expuestas a temperaturas más altas que 0°C/32°F por más de 3 horas antes de conectar su estufa al suministro eléctrico.

- **Asegúrese que su cocina está instalada y conectada adecuadamente a tierra por un instalador calificado o un técnico de servicio.**
- **Esta cocina debe ser conectada a tierra eléctricamente de acuerdo con los códigos locales, o de no existir, con la National Electrical Code ANSI/NFPA No.70- última edición en el estados unidos o con la CSA Standard C22.1, Canadian Electrical Code, Part 1 en el Canada.**
- La instalación de electrodomésticos destinados para casas (movibles) deben conformarse con la Manufactured Home Construction and Safety Standard, título 24CFR, parte 3280 [antiguamente la Federal Standard for Mobile Home Construction and Safety, título 24, HUD (parte 280)] o cuando este código no se aplica, la Standard for Manufactured Home Installation 1982 (Manufactured Home sites, communities and setups) ; ANSI Z225.1/NFPA 501A- última edición o con códigos locales en el estados unidos o con CAN/CSA-Z240 MH en el Canada.
- **Asegúrese que el empapelado de pared alrededor de la cocina pueda resistir el calor generado por la cocina.**
- **Antes de instalar la cocina en una área cubierta de linóleo o cualquier otro revestidos de piso sintético, asegúrese que éste pueda resistir al menos 90°F (32,2°C) sobre la temperatura de la pieza sin encogerse, ladearse o descolorarse.** No instale la cocina encima de una alfombra a menos que coloque una placa de aislamiento o una plancha de ¼" (0,64 cm) de madera entre la cocina y el alfombrado.

⚠ ADVERTENCIA Nunca deje a los niños solos o sin cuidado en el area donde el electrodoméstico está en uso. A medida que los niños crezcan, enséñeles el uso adecuado de los electrodomésticos. Nunca deje la puerta del horno abierta cuando la cocina esté sin supervisión.

⚠ ADVERTENCIA Pisar, apoyarse o sentarse en las puertas o los cajones de la cocina pueden causar graves heridas y también dañar la cocina.

- **No coloque cosas que atraigan a los niños sobre los gabinetes encima de la cocina.** Los niños podrían sufrir quemaduras tratando de alcanzarlos.

- **Para evitar riesgos de quemaduras o incendios al tocar superficies calientes, se deben evitar los armarios sobre la superficie de los quemadores.** Si existe un armario, se pueden reducir los riesgos instalando una campana que se extienda horizontalmente en un mínimo de 5" por sobre la parte inferior de los armarios.
- **No use el horno como espacio de almacenamiento.** Esto crea una situación muy peligrosa.
- **Nunca use su cocina para calentar la pieza.** El uso prolongado de la cocina sin ventilación adecuada puede ser peligroso.
- **No guarde o use gasolina u otros vapores inflamables y líquidos cerca de éste o cualquier otro electrodoméstico.** Esto podría causar una explosión o un incendio.
- **Vuelva a programar todos los controles a la posición "off" (apagado) después de haber utilizado el conteo contador automático.**

PARA LOS MODELOS CON AUTO-LIMPIEZA:

- **Retire el rostisador, la comida y otros utensilios antes de auto-limpiar el horno.** Limpie todo exceso de derrames. Siga las instrucciones para la pre-limpieza en el Manual del usuario.

⚠ ADVERTENCIA Riesgo de volcamiento



• Un niño o adulto puede volcar la estufa y acabar muerto.

• Verificar que el braquet trasero este calibrado con la cubierta o el utensilio del anti-vuelco sea instalado

en las paredes del gabinete como la indican las instrucciones.

• Asegurar que el braquet antivuelco sea calibrado con la cubierta o los lados de la cabina así como lo indican las instrucciones cuando la estufa sea movida.

• No utilice la estufa sin el dispositivo antivuelco instalado y acoplado.

• Si no se siguen estas instrucciones, se puede provocar la muerte o quemaduras graves en niños y adultos.



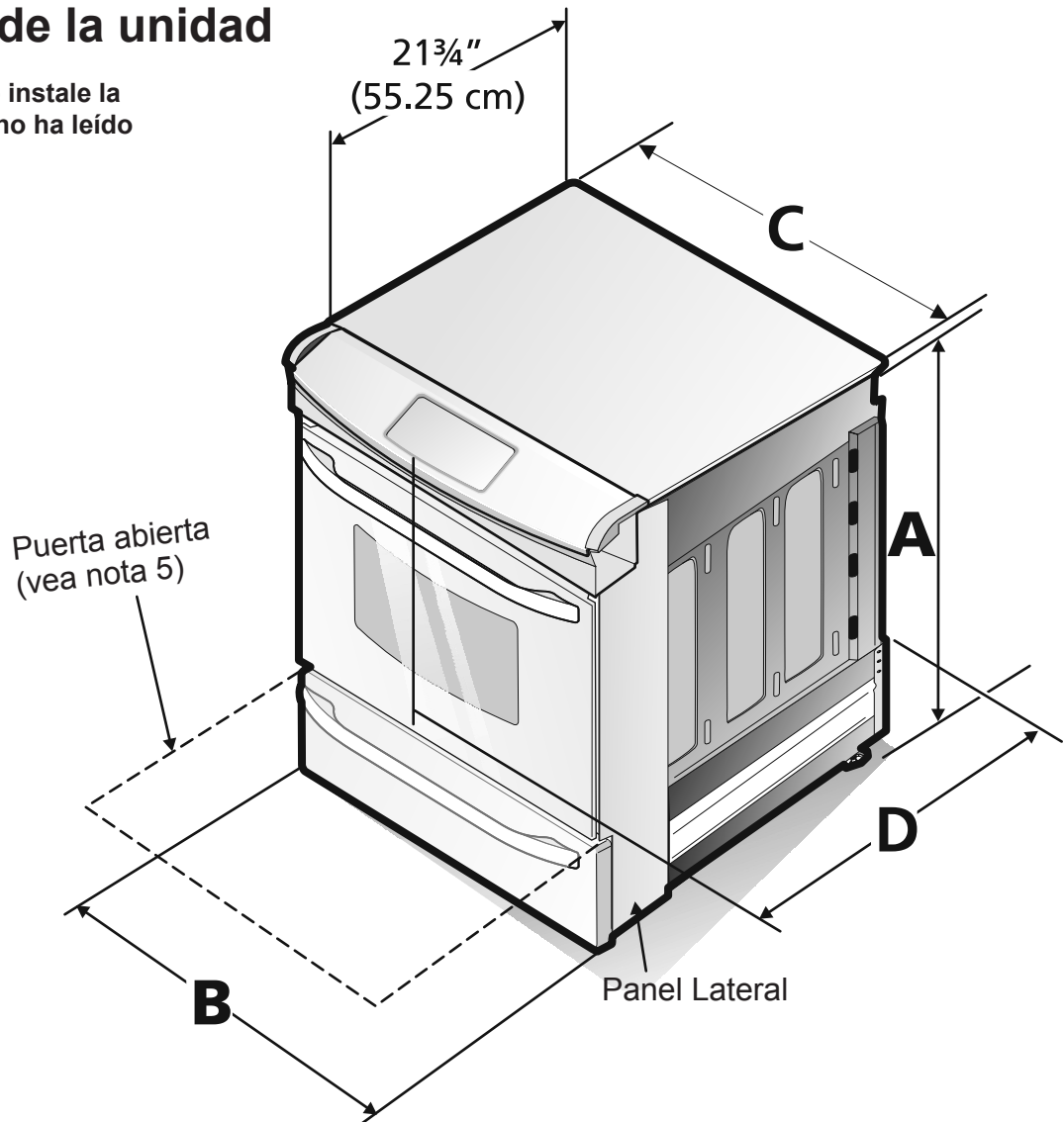
Para verificar si la fijaciones de anti-inclinación está instalado correctamente, sostenga el borde trasero de la parte trasera de la estufa usando ambos brazos. Intente inclinar la estufa hacia adelante con cuidado. Si está instalada correctamente, la estufa no debería inclinarse hacia adelante.

Consulte las instrucciones de instalación del soporte antivuelco proporcionadas con la estufa para instalarlo adecuadamente.

INSTRUCCIONES DE INSTALACIÓN PARA LA ESTUFA ELÉCTRICA DESLIZABLE DE 30"

Dimensiones de la unidad

⚠ ADVERTENCIA No instale la unidad en el gabinete si no ha leído esta página.



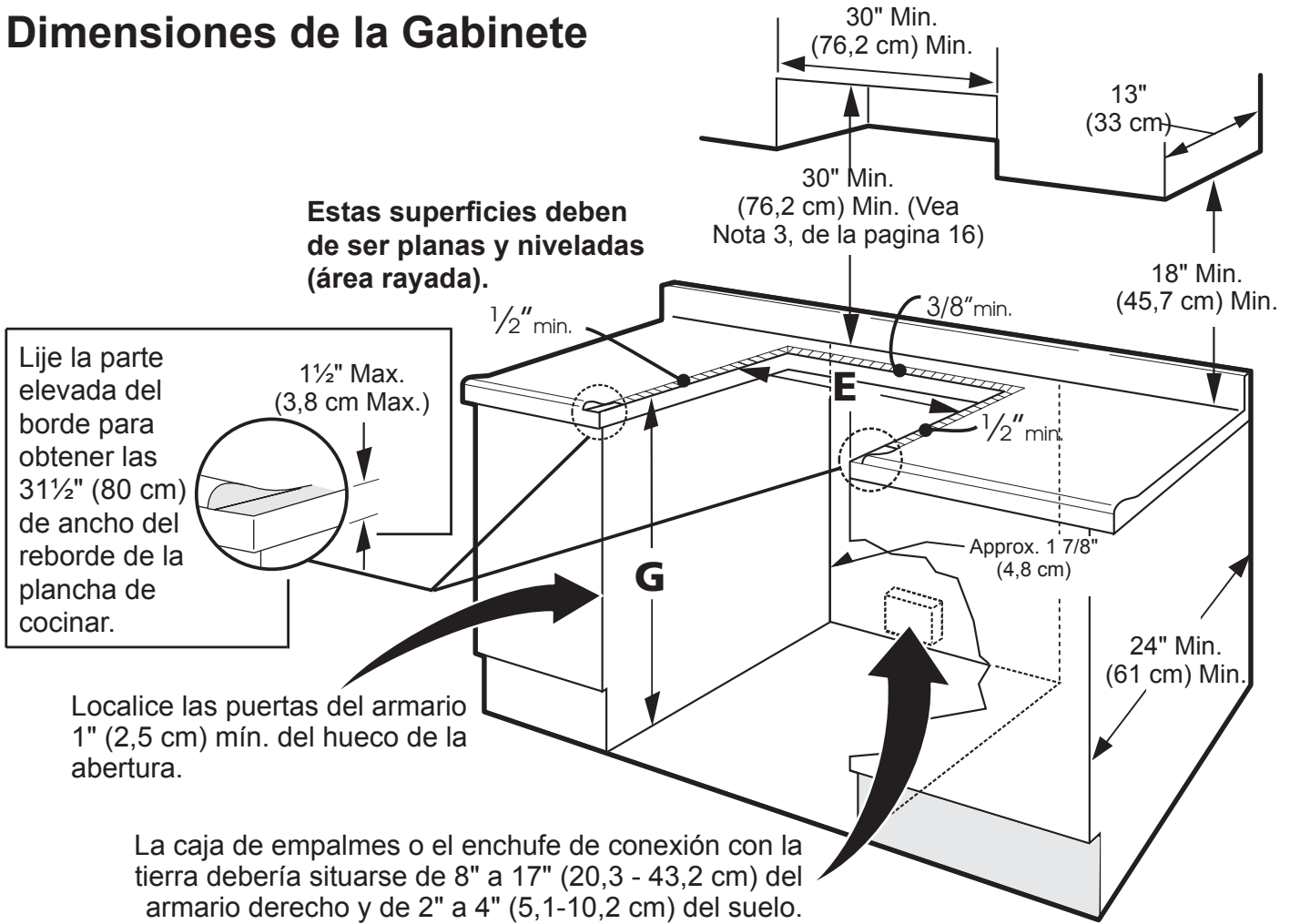
A. ALTURA (Debajo de la cubierta)	B. ANCHURA	C. ANCHURA DE LA PLANCHA DE COCINAR	D. PROFUNDIDAD TOTAL A LA FRENTE DE LA ESTUFA
35 3/4" (90,8 cm) 36 5/8" (93 cm)	30" (76,2 cm)	31 1/2" (80 cm)	28 5/16" (71,9 cm)

NOTAS:

- 1 No pellizque el cordón eléctrico o el conducto flexible de gas entre la estufa y la pared.
- 2 No selle la estufa a los armarios de lado.
- 3 Un espacio mínimo de 24" (61 cm) entre la superficie de la estufa y el fondo del armario cuando el fondo del armario de madera o metal está protegido por no menos de 1/4" (0,64 cm) de madera resistente al fuego cubierta por una lámina metálica de MSG, número 28, 0,015" (0,4 mm) de acero inoxidable, 0,024" (0,6 mm) de aluminio, ó 0,02" (0,5 mm) de cobre.
Un espacio mínimo de 30" (76,2 cm) cuando el armario no está protegido.
- 4 Para los recortados menos que 22 7/8", el electrodoméstico aparecería ligeramente en el exterior del armario.
- 5 Deje por los 19 1/4" (48,9 cm) de espacio libre para la profundidad de la puerta cuando esta abierta.

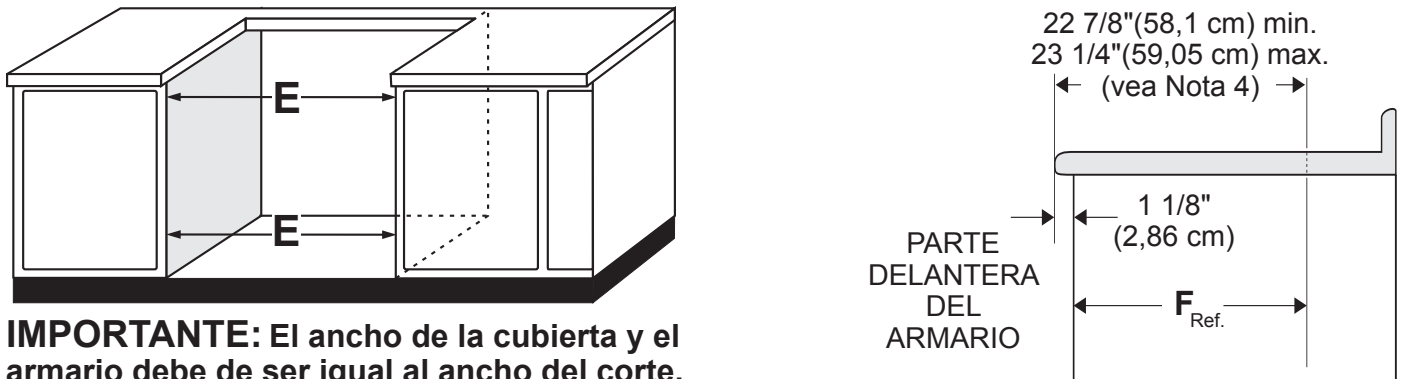
INSTRUCCIONES DE INSTALACIÓN PARA LA ESTUFA ELÉCTRICA DESLIZABLE DE 30"

Dimensiones de la Gabinete



E. ANCHURA DE RECORTADO (encima y armario)***	F. PROFUNDIDAD DE RECORTADO	G. ALTURA DEL MOSTRADOR
30±1/16" (76,2±0,15 cm)	21 3/4" (55,2 cm) Min. 22 1/8" (56,2 cm) Max 24" (61 cm) Min. con un protector trasero	35 7/8" (91,1 cm) Min. 36 5/8" (93 cm) Max.

*****IMPORTANTE:** Para el corte a lo ancho (dimensión E) de más de 30 1/16" (76,4 cm) para evitar que se rompa la cubierta, asegúrese que el artefacto esté centrado en la abertura de la mesada mientras lo presiona. Levante las patas ajustables a una altura mayor a la del mueble (ver página 18), inserte el electrodoméstico dentro del gabinete y después nivélelo. Asegúrese que le unidad este soportada por las patas y NO por la cubierta superior sobre la encimera.



IMPORTANTE: El ancho de la cubierta y el armario debe de ser igual al ancho del corte.

INSTRUCCIONES DE INSTALACIÓN PARA LA ESTUFA ELÉCTRICA DESLIZABLE DE 30"

Para evitar fractura de la unidad: NO manipule la unidad sosteniendo la cubierta.

1 La cubierta alrededor del espacio donde usted instalara su unidad debe de estar plana y nivelada. (Vea el área sombreada en la ilustración número 1)



2 Antes de instalar la unidad, mida la altura de los dos (2) lados de los gabinetes (H1-4), frente y parte trasera (vea ilustración 1) del piso a lo alto de la cubierta.

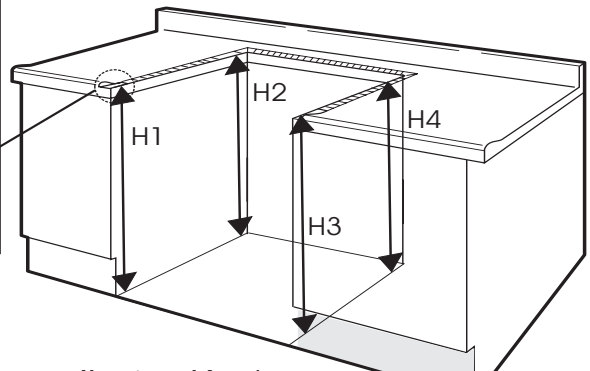
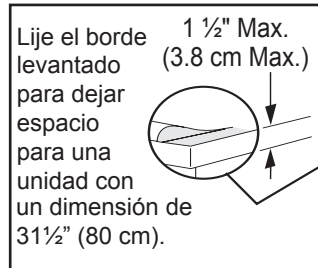


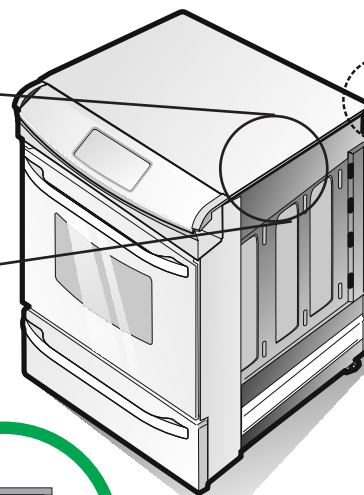
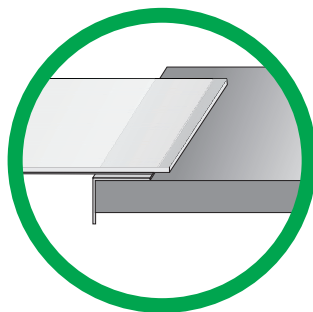
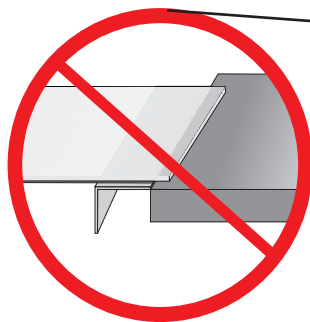
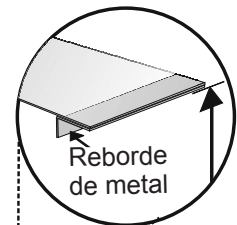
Ilustración 1

3 Nivele la estufa utilizando las 4 patas ajustables delanteras de manera que la altura del suelo a la parte de abajo del reborde de metal sea de al menos 1/16" (0,16 cm) (vea ilustración 2).

4 Deslice la unidad hacia el gabinete. Asegúrese que la unidad este centrada con el centro de la abertura del gabinete.

5 Remueva la parte en plástico extruido en cada lado de la cubierta (Algunos modelos).

6 Es imprescindible que el reborde de metal que se encuentra debajo de la cubierta este sobre la cubierta del gabinete. La cubierta no deberá tocar directamente la cubierta del gabinete (vea ilustración 2) de no ser así la fractura de la cubierta anulará la garantía. Nivele la unidad si es necesario.



Para instalar exitosamente su estufa, la medida inicial del piso a la superficie interior de la cubierta de vidrio debe ser mayor que la altura del gabinete por lo menos 1/16" (0,16 cm) como se midió en el paso número 2.

7 Después de la instalación, **ASEGÚRESE** que la unidad este sostenida por las patas niveladoras y **NO** por la cubierta.

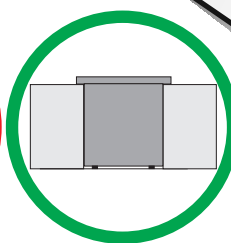
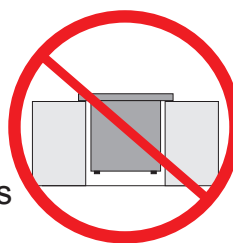


Ilustración 2

INSTRUCCIONES DE INSTALACIÓN PARA LA ESTUFA ELÉCTRICA DESLIZABLE DE 30"

1. Ubicación de la placa de serie

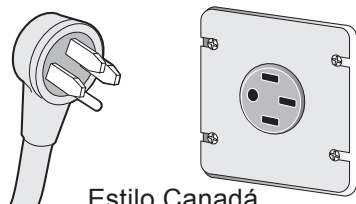
Encontrará el modelo y el número de serie impresos en la placa de serie. Vea la ilustración para conocer su ubicación exacta.

Asegúrese de tomar nota del número de serie para futura referencia.



2. Cable de fuente de energía conectado de fábrica (Canadá solamente)

Esta estufa viene de fábrica equipada con un cable de fuente de energía (vea a la figura 1). El cable debe de ser conectado a una toma de corriente a tierra de 120/240 voltios o de 120/208 voltios. Si no hay una toma de corriente a tierra en la habitación, debe de ser instalada por un técnico calificado.



Estilo Canadá
Figura 1

3. Estuche de cable del suministro eléctrico (U.S.A.)

El usuario es responsable de la conexión del cable del suministro eléctrico al bloque de conexión situado detrás del panel de acceso.

El electrodoméstico se puede conectar a través de un cableado permanente "cableado duro"; cable de cobre blindado armado o cable no-metálico flexible (cuando el código local lo permite) o por medio de un kit de cable de alimentación.

NOTA: La cocina corrediza eléctrica viene de fábrica con un agujero de diámetro 1 1/8" (2,9 cm) como se muestra en la figura 3. Si un agujero mas grande es necesario retire la arandela pre-cortada.

⚠ ADVERTENCIA El riesgo de fuego o choque eléctrico puede aparecer si usa el tamaño de cable incorrecto, si las instrucciones de instalación no son seguidas o si retira la abrazadera de alivio de esfuerzo.

Para casas sobre ruedas, nuevas instalaciones, en los vehículos de recreativos o en las lugares donde los códigos locales no permiten la conexión del conductor de tierra al neutro, un ensamble de suministro eléctrico de 3 (cuando códigos locales permitan conexión a tierra) o 4 conductores para estufas, calificado a 125/250 voltios mínimo, 50 Amperes recomendados (40 Amperes mínimo) debe de ser utilizado. La terminal al final de los alambres debe ser anillo o de tenedor con las puntas levantadas. El cable debe tener abrazadera de alivio de esfuerzo.

⚠ PRECAUCION No desajuste las tuercas que aseguran la conexión de la cocina al bloque terminal cuando esté instalándola. El corte o la pérdida de corriente eléctrica puede ocurrir.

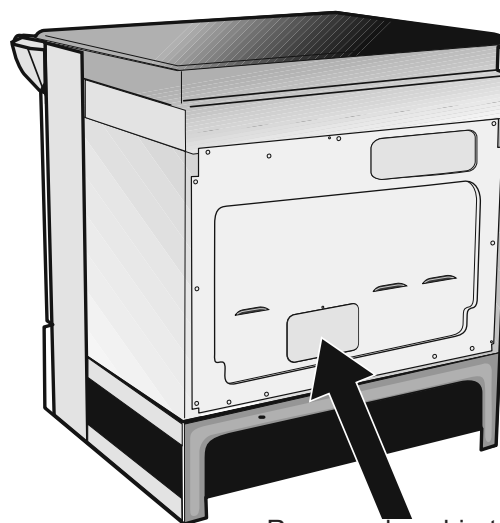
⚠ ADVERTENCIA

Peligro de choque eléctrico

- La conexión a tierra es requerida para este electrodoméstico.
- No conecte al suministro eléctrico hasta que el electrodoméstico este conectado a tierra de manera permanente.
- Desconecte el suministro eléctrico hacia la caja de empalmes antes de hacer la conexión eléctrica.
- Este electrodoméstico debe ser conectado a un sistema de alambres permanentes, metálicos, conectados a tierra o una puesta a tierra debe ser conectada al terminal de tierra o un empomando al electrodoméstico.

El no seguir ninguna de estas instrucciones podría causar fuego, heridas personales o choques eléctricos.

4. Acceso al bloque de terminales y al puente de tierra (E.E. U.U.)



Remove la cubierta del cableado aquí para acceso de la terminal de bloque. - Figura 2

INSTRUCCIONES DE INSTALACIÓN PARA LA ESTUFA ELÉCTRICA DESLIZABLE DE 30"

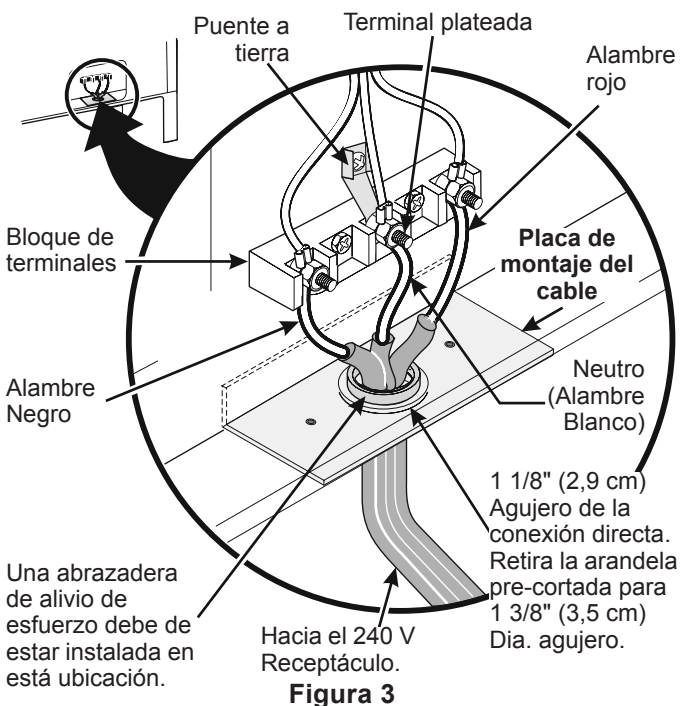
⚠ ADVERTENCIA Este electrodoméstico fue fabricado con el marco aterrizado a través de un puente de conexión entre el neutral de la fuente de alimentación y el marco. Si es utilizado en los E.E. U.U., con un circuito nuevo de instalación (1996 NEC), en casa sobre ruedas o vehículo recreativo, donde el código local no permite el aterrizaje a través del cable neutro (blanco) o en Canadá; remueva el puente de aterrizaje del marco y corte el otro extremo, cerca de la terminal de neutral. Conecte el electrodoméstico de la forma usual.

5. Conexión eléctrica a la cocina (Estados Unidos)

Conexión del cable a tres alambres de la cocina

Si los códigos locales permiten la conexión del conductor a tierra del armazón al alambre neutral del cable de bronce del suministro eléctrico (vea figura 3).

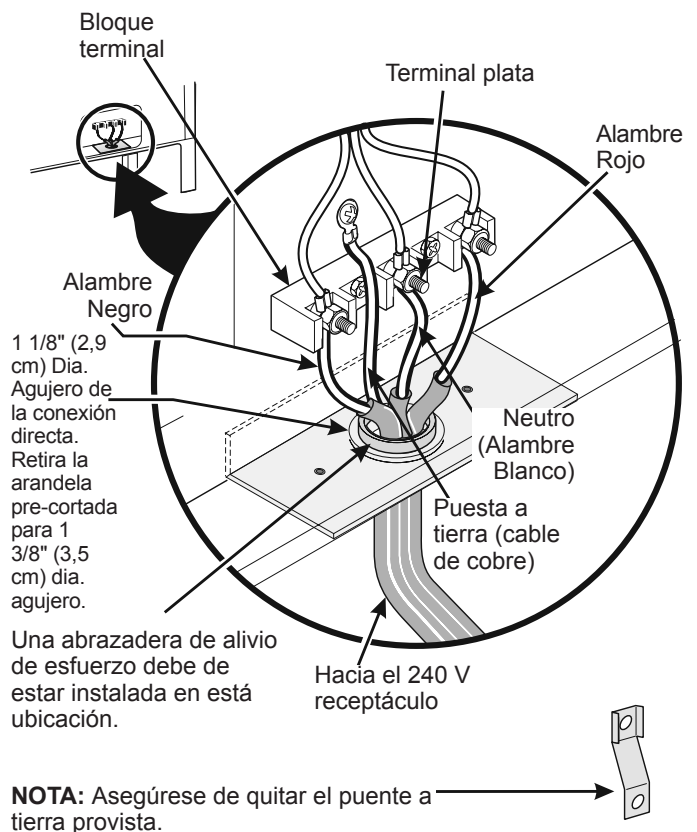
1. Remover el tornillo el cual fija la cubierta del cable (cubierta de acceso). Para exponer la terminal de la estufa (vea Figura 2).
2. Utilizar los tuercas suministraron en el paquete de la literatura para conectar la parte neutral del cable de bronce de suministro eléctrico ala terminal plateada que se encuentra al centro del bloque de terminales y, conectar los otros alambres a las terminales externas. Una los alambres y las terminales según el color (alambres rojos conectados ala terminal derecha, alambres negros conectados ala terminal izquierda) (vea figura 3).
3. Reemplazar la cubierta del cable usando el tornillo quitado de la etapa 1.



Conexión del cable de cuatro conductores a la cocina.

Donde los códigos locales NO permiten la conexión del conductor a tierra del armazón al alambre neutral del cable de bronce del suministro eléctrico (vea figura 4).

1. Remover el tornillo el cual fija la cubierta del cable (cubierta de acceso). Para exponer la terminal de la estufa (vea Figura 2).
2. Retire el puente de la base del bloque terminal y del armazón del electrodoméstico. Retenga el tornillo de la base.
3. Utilizar los tuercas suministraron en el paquete de la literatura para conectar el alambre de tierra (verde) del cable de bronce del suministro eléctrico al armazón del electrodoméstico con el tornillo de la base, usando el hoyo del armazón por donde retiró el puente de la base (vea figura 4).
4. Conecte el alambre neutral (blanco) del cable de cobre del suministro eléctrico al terminal plateado del centro del bloque de terminales y, conecte los otros alambres a los terminales externas.
5. Reemplazar la cubierta del cable usando el tornillo quitado de la etapa 1.



NOTA: Asegúrese de quitar el puente a tierra provista.

INSTRUCCIONES DE INSTALACIÓN PARA LA ESTUFA ELÉCTRICA DESLIZABLE DE 30"

Conexión eléctrica directa al cortacircuito, a la caja de fusibles o la caja de empalmes

Si el aparato está conectado directamente al cortacircuito, a la caja de fusibles o a la caja de empalmes, use un cable blindado flexible o no metálico recubierto de cobre (con alambre a tierra). Provee una abrazadera de alivio de esfuerzo homólogo UL a cada extremidad del cable. A la extremidad del electrodoméstico, el cable pase a través del agujero de la conexión directa (ver figura 4) en la placa de montaje del cable. El tamaño de los alambres (**alambre de cobre solamente**) y las conexiones deben estar conforme al régimen del electrodoméstico.

Donde los códigos locales permitan conectar el conductor de puesta a tierra del electrodoméstico al neutral (blanco) (vea figura 5):

1. Desconecte el suministro eléctrico.
2. Remover el protector de tierra de la terminal de bloque y de la estructura del electrodoméstico.
3. En el cortacircuito, la caja de fusibles o la caja de empalmes:
 - a) Conecte el alambre verde (o cobre desnudo), el alambre blanco del cable del electrodoméstico y el alambre neutral (blanco) juntos.
 - b) Conecte los dos alambres negros juntos.
 - c) Conecte los dos alambres rojos juntos.

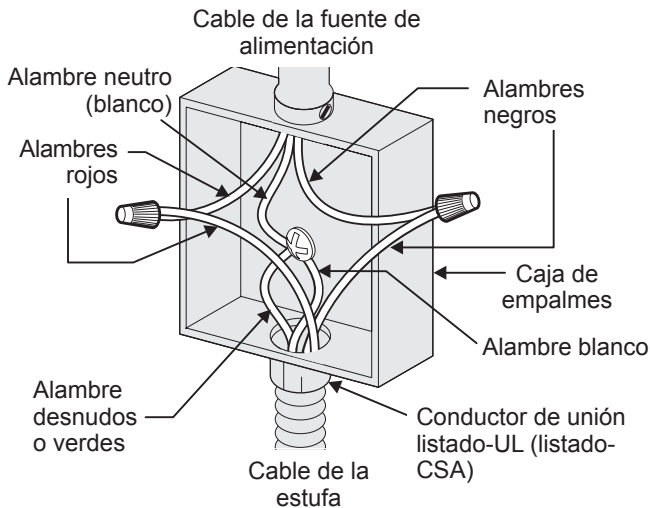


Figura 5 - 3-cable (Neutral) sistema eléctrico (Ejemplo: Caja de paso)

Donde los códigos locales NO permitan conectar el conductor de puesta a tierra del electrodoméstico al neutral (blanco), o si está conectado con un sistema a 4 alambres (vea figura 6):

1. Desconecte el suministro eléctrico.
2. Remover el protector de tierra de la terminal de bloque y de la estructura del electrodoméstico.
3. En el caja de fusibles:
 - a) Conectar el cable alambre blanco al neutral.
 - b) Conector los 2 alambres negros juntos.
 - c) Conector los 2 alambres rojos juntos.
 - d) Conector el cable verde al cable de tierra de la caja de fusibles.

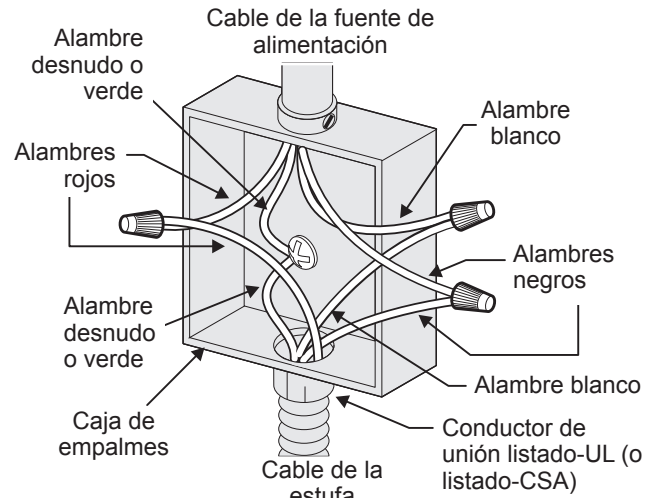


Figura 6 - 4 - Cable (Neutral) sistema eléctrico (Ejemplo: Caja de paso)

6. Construcción del armario

6.1



PRECAUCION Para eliminar el riesgo de quemaduras o de fuego tratando de alcanzar algo por encima de las zonas calientes, evite de colocar artículos sobre la cocina. Si cree necesitar este espacio, el riesgo puede disminuir si instala un sombrerete que proteja horizontalmente un mínimo de 5" (12,7 cm) sobre la base del armario.

6.2

Preparación del mostrador

- Las extremidades de la cocina sobrepasan el borde de su mostrador.
- Si tiene un **mostrador con las extremidades cuadradas (planas)**, no se necesita ninguna preparación del mostrador.
- **El reborde de frente de mostradores moldeados** deben tener bordes moldeados a 3/4" (1,9 cm) a partir de cada extremidad de la apertura (Figura 7).
- **Los mostradores enazulejos** deberán necesitar un recorte de 3/4" (1,9 cm) a partir de cada extremidad y/o un borde redondeado aplanado (Figura 7).
- **Si el ancho de la apertura del mostrador es más grande que 30 1/16" (76,4 cm)**, ajuste a las dimensiones como para el 3/4" (1,9 cm).

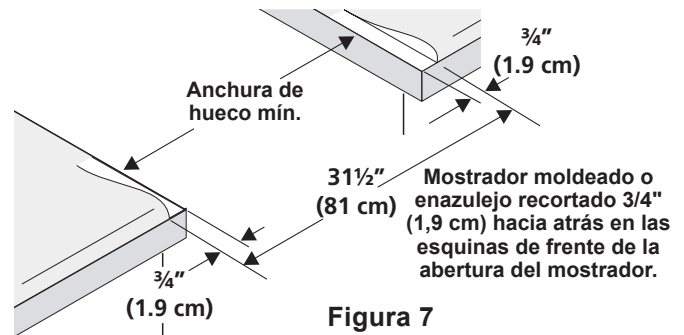


Figura 7

INSTRUCCIONES DE INSTALACIÓN PARA LA ESTUFA ELÉCTRICA DESLIZABLE DE 30"

- **El mostrador deber ser nivelado.** Coloque un nivelador sobre el mostrador, primero de lado a lado y luego del frente hacia atrás. Si el mostrador no está nivelado, la cocina no estará nivelada. El horno debe ser nivelado para tener resultados satisfactorios al hornear. Las extremidades de la plancha de la cocina sobrepasan los bordes de la abertura del mostrador.

7. Instalación de la estufa

Nota importante: No es necesario, pero sí es conveniente, quitar la puerta para instalar el horno. Consulte las instrucciones para retirar la puerta en la Guía de Uso y Cuidado.

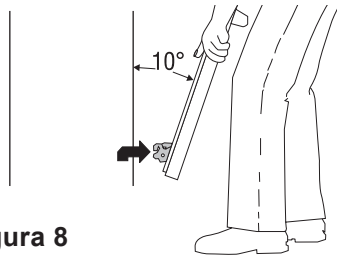


Figura 8

Instalación estándar

- 7.1** La plancha de cocinar se sobrepone por encima del mostrador con sus extremidades y la cocina reposa sobre el suelo. La plancha de cocinar es 31 1/2" (80 cm) de ancho.
- 7.2** Instale la base de los armarios a 30" (76,2 cm) de espacio entre ellas. Asegúrese que estos están verticales y alineados antes de instalar la plancha de cocinar. Lije el borde del mostrador para obtener las 31 1/2" (80 cm) en la parte superior del mostrador.
- 7.3** Instale las puertas del armario a 32" (81,3 cm) de espacio entre ellas para que no interfieran con la abertura de la puerta de la cocina.
- 7.4** Corte el mostrador exactamente como en la página 17.

Para los modelos equipado con un sistema de dispositivo de nivelación:

- 7.5** Asegúrese que el frente de las patas niveladoras y el dispositivo de nivelación posterior estén ajustados mas altos que la altura del gabinete.
- 7.6** **⚠ PRECAUCION** Instale el soporte anti-inclinación de acuerdo a las instrucciones del patrón anti-inclinación (si no lo tiene vea la página 25).
- 7.7** Para una instalación óptima, la superficie superior de la cubierta debe estar nivelada y ser plana (sobre el mismo plano) en los 3 lados adyacentes a la cocina. Se deben hacer los ajustes correspondientes para hacer que la parte superior quede plana, de lo contrario podrán quedar espacios entre la cubierta y la cocina.

- 7.8** **⚠ PRECAUCION** Para reducir el riesgo de dañar su artefacto, no lo manipule cerca del vidrio cerámico. Manipúlelo con cuidado.
- 7.9** Coloque la cocina enfrente de la abertura del armario.
- 7.10** Asegúrese de que el vidrio que está colgado sobre la cubierta deje despejada la cubierta. Si es necesario, levante la unidad bajando las patas de nivelación.
- 7.11** Deslice la unidad hacia el gabinete y central antes de nivelarla.
- 7.12** **Nivele la cocina** (vea Nivelación de la estufa). El piso donde se instala la cocina debe estar nivelado. Siga las instrucciones "nivelación de la estufa- modelos equipado con un sistema de dispositivo de nivelación".
- 7.13** Ajuste a las patas de nivelación de manera que la parte de abajo de la plancha de cocinar está apoyada contra el mostrador. Atornille con cuidado en la pata de nivelación trasera hasta que el vidrio que está colgado toque levemente la cubierta. El vidrio debe soportar el peso de la unidad. Luego, atornille con cuidado en las dos patas de nivelación anteriores (igual a 16) hasta que el vidrio que está colgado toque levemente la cubierta.

Para los modelos equipado con las patas niveladoras:

- 7.5** Asegúrese que el frente de las patas niveladoras y el dispositivo de nivelación posterior estén ajustados mas altos que la altura del gabinete.
- 7.6** **⚠ PRECAUCION** Instale el soporte anti-inclinación de acuerdo a las instrucciones del patrón anti-inclinación (si no lo tiene vea la página 26).
- 7.7** Para una instalación óptima, la superficie superior de la cubierta debe estar nivelada y ser plana (sobre el mismo plano) en los 3 lados adyacentes a la c. Se deben hacer los ajustes correspondientes para hacer que la parte superior quede plana, de lo contrario podrán quedar espacios entre la cubierta y la cocina.
- 7.8** **⚠ PRECAUCION** Para reducir el riesgo de dañar su artefacto, no lo manipule cerca del vidrio cerámico. Manipúlelo con cuidado.
- 7.9** Coloque la cocina enfrente de la abertura del armario.
- 7.10** Asegúrese de que el vidrio que está colgado sobre la cubierta deje despejada la cubierta. Si es necesario, levante la unidad bajando las patas de nivelación.

INSTRUCCIONES DE INSTALACIÓN PARA LA ESTUFA ELÉCTRICA DESLIZABLE DE 30"

7.11 **Nivele la cocina** (vea Nivelación de la estufa). El piso donde se instala la cocina debe estar nivelado. Siga las instrucciones "nivelación de la estufa- modelos equipado con las patas niveladoras".

7.12 Deslice la estufa en la abertura.

IMPORTANTE

Si se necesitan accesorios:

Instalación con un protector trasero

La profundidad del recortado de (21 3/4" (55,2 cm) Min., 22 1/8" (56,2 cm) Max.) necesita aumentarse a 24" (61 cm) al instalar un protector trasero.

Instalación con el juego de termino de panel.

Un juego de termino de panel puede ser pedido con su representante.

Instalación con Paneles Laterales

Paneles Laterales puede ser pedido con su representante.

Instale las puertas de los armarios a 32" (81,3 cm) de espacio entre ellas para que no interfieran con la abertura de la puerta de la cocina.

8. Nivelación de la estufa

8.1 Para los modelos equipados con un sistema de dispositivos de nivelación.

Nivele la cocina después de haberla instalado en la abertura del mostrador.

1. Abra la gaveta. Los tornillos de nivelación controlan la altura de las ruedas traseras.
2. Baje el aparato, las patas y las ruedas de nivelación aleatoriamente, hasta que la parte baja de la superficie de cocción repose sobre el mostrador (figura 9).
 - a. Para ajustar las patas delanteras, use una pinza para sujetar la base de la pata y girar (manecillas del reloj) para bajar el nivel o al contrario para subir el nivel.
 - b. Para ajustar las ruedas traseras, use desarmador y girar (manecillas del reloj) a los tornillos de nivelación para levantar gire al contrario para bajar el nivel.
3. Verifique si la cocina está nivelada colocando una parrilla en el centro del horno y poniendo un nivel sobre esta (figura 10).
4. Mida dos veces con el nivel en posición diagonal en una dirección y luego en otra. Nivele la cocina si es necesario ajustando las patas y las ruedas de nivelación.
5. Si al cocina no se nivela, asegúrese que el piso este nivelado o contacte a un carpintero para nivelar.

6. Después de nivelar la unidad, las patas traseras (localizadas al lado de las ruedas), debe de bajarse casi hasta el nivel del suelo (deje un pequeño espacio). Este es necesario para asegurar la unidad con el fijación anti-inclinación.

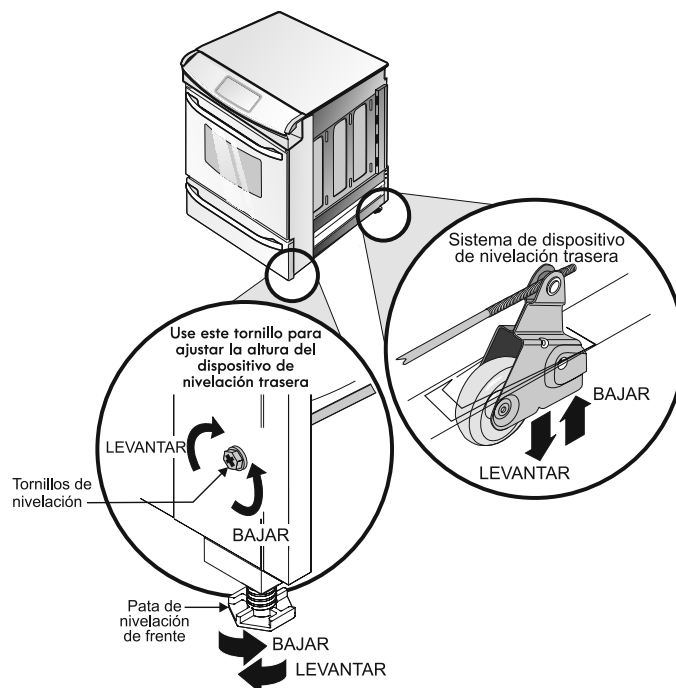


Figura 9

8.2 Para los modelos equipados con las patas niveladoras.

Nivele la estufa y ajuste la altura de la estufa antes de instalarla en la abertura.

1. Coloque una parrilla del horno en el centro del horno.
2. Ponga un nivel sobre la parrilla (figura 10). Tome dos lecturas con el nivel puesto diagonalmente en una dirección y después en la otra. Nivele la estufa, si es necesario, ajustando las 4 patas niveladoras con una llave de tuercas (figura 16).
3. Asegúrese de no dañar al mostrador, deslice la estufa dentro de la abertura del hueco y vuelva a verificar a la nivelación.

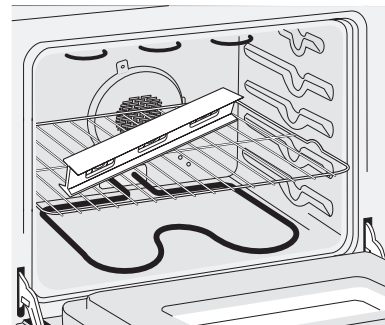


Figura 10

INSTRUCCIONES DE INSTALACIÓN PARA LA ESTUFA ELÉCTRICA DESLIZABLE DE 30"

9. Comprobación del Funcionamiento

Consulte el Manual del Usuario incluido con la estufa para instrucciones de operación y instrucciones para el cuidado y limpieza de su estufa.

⚠ PRECAUCION No toque los elementos. Pueden estar bastante calientes para causar quemaduras.

Quite todo el embalaje de la unidad antes de comprobarla.

1. Operación de los elementos de superficie

Encienda cada uno de los cuatro elementos de superficie y controle que se calienten. Verifique el funcionamiento de las luces indicadoras de los elementos de superficie, si equipadas.

2. Funcionamiento de los Elementos del Horno

El horno está equipado con un control electrónico. Cada función ha sido probada en la fábrica antes del transporte. Sin embargo, sugerimos que Ud. verifique el funcionamiento de los controles del horno una vez más. Véase el Manual del Usuario para la operación. Siga las instrucciones para el Reloj Minutero, Cocer, Asar, Convección (algunos modelos) y las funciones de limpieza.

Cocer/Bake—Después de poner el horno a 350°F (177°C) para cocer, el elemento inferior debe ponerse rojo.

Asar/Broil—Cuando está puesto para BROIL, el elemento superior se debe poner rojo.

Limpieza/Clean—Cuando el horno está puesto para un ciclo de auto-limpieza, el elemento superior se pondrá rojo durante el período de precalentamiento del ciclo. Después de alcanzar la temperatura de auto-limpieza, el elemento inferior se pondrá rojo.

Convección/Convection (algunos modelos)—

Cuando el horno se pone a CONV. BAKE/ROAST a 350°F (177°C), los dos elementos se encienden y se apagan alternando en un ciclo y el ventilador se pone en marcha. El ventilador de convección se parará cuando se abre la puerta del horno durante el cocido o el asado por convección.

Cajón calentador (algunos modelos)—Ponga la perilla de control a HI y verifique que se está calentando el cajón.

Después de Terminar la Instalación

Asegúrese de que todos los controles estén en la posición OFF (apagada).

Ubicación del Número de Modelo y de Serie

La placa con el número de serie está ubicada en el marco delantero del horno detrás de la puerta del horno (algunos modelos) o detrás del cajón (algunos modelos).

Cuando haga pedidos de repuestos o solicite información con respecto a su estufa, esté siempre seguro de incluir el número de modelo y de serie y el número o letra del lote de la placa de serie de su estufa.

Antes de Llamar al Servicio

Lea la sección Evite Llamadas de Servicio en su Manual del Usuario. Esto le podrá ahorrar tiempo y gasto. Esta lista incluye ocurrencias comunes que no son el resultado de defectos de materiales o fabricación de este artefacto.

Lea la garantía y la información sobre el servicio en su Manual del Usuario para obtener el número de teléfono gratuito y la dirección del servicio. Por favor llame o escriba si tiene preguntas acerca de su estufa o necesita repuestos.

INSTRUCCIONES DE INSTALACIÓN PARA LA ESTUFA ELÉCTRICA DESLIZABLE DE 30"

10. Instrucciones de instalación de la fijación anti-inclinación

10.1 Para los modelos equipados con un sistema de dispositivo de nivelación.

⚠ ADVERTENCIA Para reducir el riesgo de inclinación de la cocina, ésta debe ser asegurada hacia el piso con las fijaciones de anti-inclinación y los tornillos que vienen con la cocina. Estos componentes se encuentran en el horno. Si no instala las fijaciones, corre el riesgo que su cocina pueda inclinarse si pone demasiado peso en ella o si un niño sube sobre ésta. Esto podría ocasionar graves heridas causadas por líquidos calientes o por la propia cocina.

Siga estas instrucciones para instalar las fijaciones de anti-inclinación.

Si la cocina es trasladada a otro lugar, las fijaciones de anti-inclinación deben también ser trasladadas con la cocina.

Herramientas necesarias:

Llave de tuerca ajustable

Trinquete

Taladro eléctrico con barrena de 1/8" (0,32 cm)

Aprietatuercas de 5/16" (0,8 cm)

Nivel

Abrazadera sujeta al suelo en la parte trasera de la cocina para tener asida la parte posterior de la cocina. Al fijarla al suelo, verificar que los tornillos no atraviesen la instalación eléctrica o de fontanería. Los tornillos provistos sirven para madera o concreto.

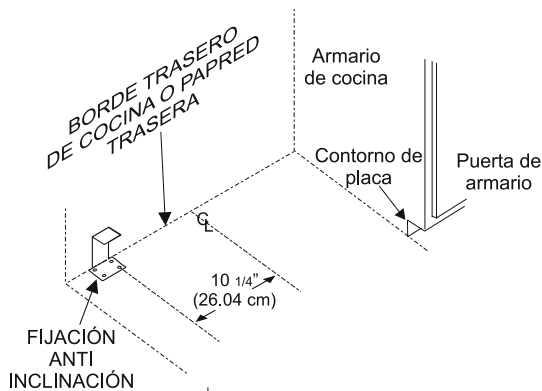


Figura 11

DESGLIZAR HACIA DETRÁS

1. Dibujar una línea central en el piso donde se instalará la cocina. Si no hay pared posterior, dibujar otra línea en el piso que corresponda a la parte posterior de la cocina.
2. Desplegar el molde de papel y colocarlo alisado sobre el piso con el vértice posterior derecho posicionado exactamente en la intersección de las líneas central y posterior dibujadas anteriormente. (Si no se dispone de un molde, usar el diagrama incluido a continuación para ubicar las ménsulas (Fig. 11)).
3. Marque en el suelo la ubicación de los cuatro orificios de montaje que aparecen en el modelo. Para facilitar la instalación se pueden hacer en el suelo orificios pilotos de 3/16" (0,48 cm) de diámetro de 1/2" (1,27 cm) de profundidad.
4. Retire el modelo y ubique la abrazadera en el suelo. Alinee los orificios en la abrazadera con las marcas en el suelo y ajuste con los cuatro tornillos provistos. La abrazadera debe quedar fijada al suelo (figura 12) sólido. Si se fija al suelo concreto, primero haga orificios pilotos de un diámetro de 3/16" (0,48 cm), utilizando una barrena para concreto.
5. Asegúrese que las 4 patas de nivelación están en la más alta posición posible.
6. Deslice la cocina hacia su lugar asegurándose que la pata de centro trasera está completamente segura con el soporte anti-inclinación (figura 12). Baje la cocina ajustando las 4 patas de nivelación hasta que la plancha de cocinar está apoyada en el mostrador. Refiere a la "Nivelación de la cocina".
7. Después de haber realizado la instalación verifique que la fijación anti-inclinación está empotrada. Usted también puede asir el borde trasero de la cima de la estufa y cuidadosamente intentar voltearla para asegurarse de que la estufa sea adecuadamente anclada.

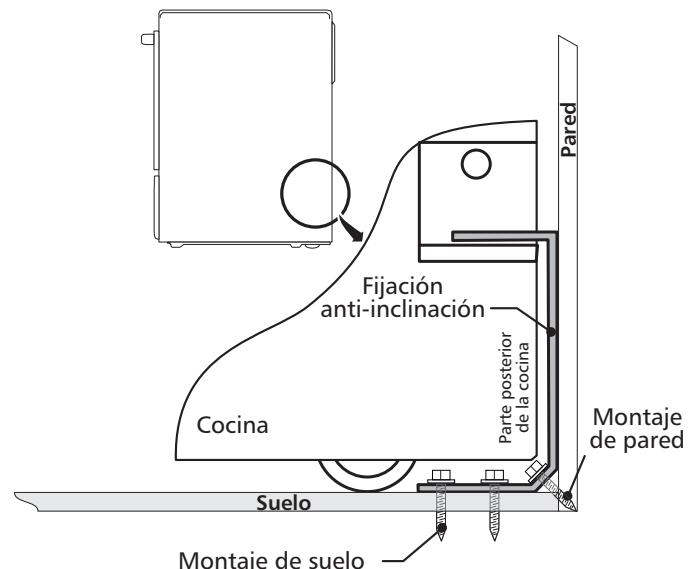


Figura 12

INSTRUCCIONES DE INSTALACIÓN PARA LA ESTUFA ELÉCTRICA DESLIZABLE DE 30"

10.2 Instrucción para la instalación de las fijaciones de anti-inclinación

⚠️ ADVERTENCIA Para reducir el riesgo de inclinación de la cocina, ésta debe ser asegurada hacia el piso con las fijaciones de anti-inclinación y los tornillos que vienen con la cocina. Si no instala las fijaciones, corre el riesgo que su cocina pueda inclinarse si pone demasiado peso sobre la puerta abierta o si un niño sube sobre ésta. Esto podría ocasionar graves causadas por derrames de líquidos calientes o por la propia cocina.

Si la cocina es trasladada a otro lugar, las fijaciones de anti-inclinación deben también ser trasladadas y instaladas con la cocina.

Las instrucciones provistas sirven para instalación en suelo de madera o concreto. Al fijar los tornillos al suelo, asegúrese que no atraviesen la instalación eléctrica o de fontanería.

A. Localice la fijación usando el papel modelo -

Localice la posición de la fijación colocando la plantilla simétricamente a la línea central de la apertura. El soporte antivuelco puede instalarse en el lado izquierdo o derecho en la parte posterior de la estufa. Marque la ubicación de los agujeros de tornillos como se muestra en el papel.

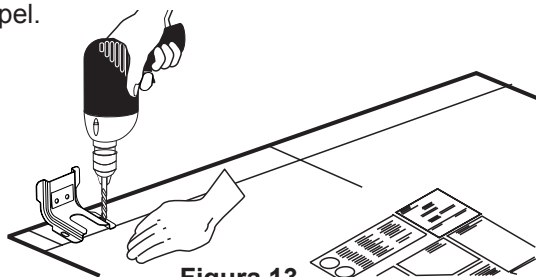


Figura 13

B. Perforación de agujeros piloto y montura de sujeción - Perfore un agujero piloto de 1/8" en el lugar en el que se vayan a instalar los tornillos. Si la montura se va a instalar a en la pared, practique un agujero piloto con una inclinación aproximada de 20° hacia abajo. Si la montura se va a instalar sobre hormigón para suelos cerámicos, practique un agujero de 3/16" con una profundidad de 1-3/4". Los tornillos que se suministran pueden utilizarse en hormigón o madera. Para fijar la montura en su sitio, utilice un destornillador de cabeza plana o una llave para apretar tuercas de 5/16".

MONTURA DE SUJECIÓN (MONTAJE EN PARED O SUELO)

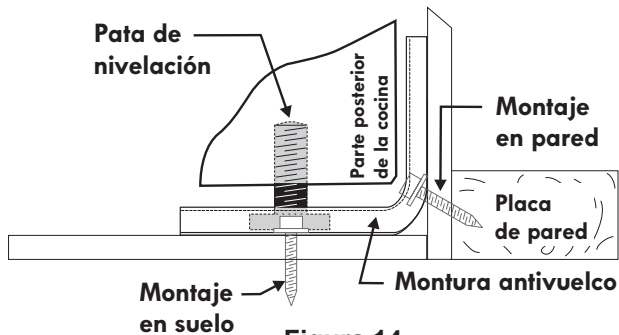


Figura 14

C. Nivele la cocina y coloque la cocina en su lugar.

Deslice la estufa a su lugar. Coloque la pata niveladora dentro de las fijaciones de anti-inclinación. Verifique visualmente que las fijaciones de anti-inclinación estén correctamente enganchados (anclados). Nivele la cocina. Nivele la estufa si es necesario, ajustando las 4 patas niveladoras con una llave ajustable. Para verificar que la cocina está nivelada coloque un nivel en las parrillas interior del horno. Tome mínimo 2 lecturas con el nivel, coloque el nivel en diagonal para que la cocina esté nivelada de atrás hacia adelante, si es necesario ajuste las patas niveladoras.

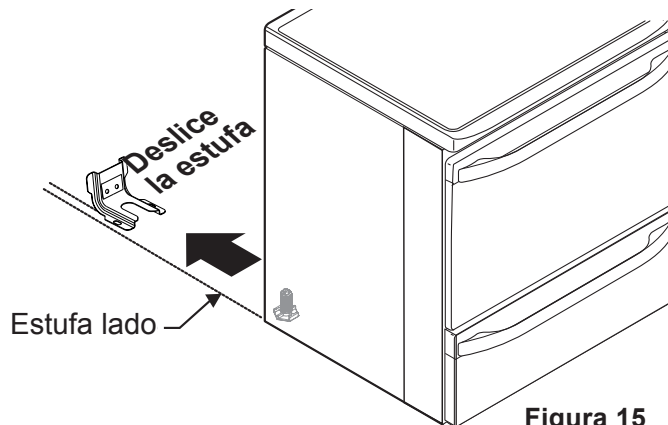


Figura 15

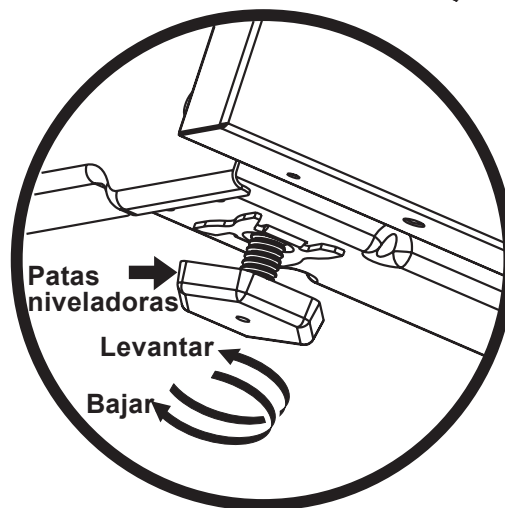


Figura 16

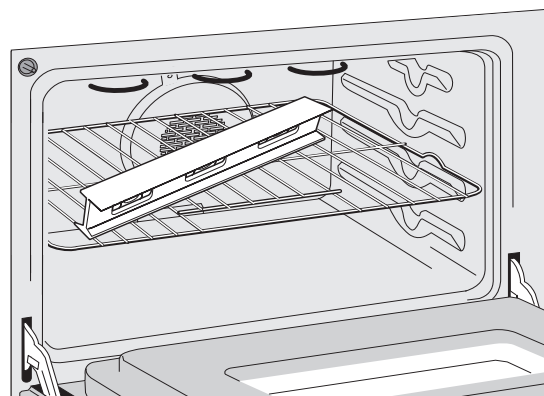


Figura 17

INSTRUCTIONS D'INSTALLATION CUISINIÈRE ENCASTRABLE ÉLECTRIQUE DE 30"

L'INSTALLATION ET L'ENTRETIEN DOIVENT ÊTRE EFFECTUÉS PAR UN
INSTALLATEUR QUALIFIÉ.

**IMPORTANT: CONSERVEZ POUR L'INSPECTEUR D'ÉLECTRICITÉ LOCAL.
LISEZ ET CONSERVEZ CES INSTRUCTIONS POUR RÉFÉRENCES ULTÉRIEURES.**



⚠ AVERTISSEMENT POUR VOTRE SÉCURITÉ :
N'entreposez pas ou n'utilisez pas d'essence ou d'autres
produits inflammables à proximité de cet appareil ou de
tout autre appareil électroménager.



Table des matières

Instructions de sécurité importantes.....	28	Connexions électriques à la cuisinière	33-34
Dimensions du produit et du comptoir	29-30	Construction de l'armoire.....	34-35
Pour éviter les cassures	31	Installation de la cuisinière	35-36
Emplacement de la plaque de série	32	Mise à niveau de la cuisinière	36
Cordon d'alimentation branché en usine	32	Vérification du fonctionnement	37
Ensemble de cordon d'alimentation	32	Installation du support anti-bascule	38-39
Accès au bloc de connexions et à la plaque de mise à terre	32	Notes	40

Notes importantes à l'installateur

1. Lisez toutes les instructions contenues dans ce feuillet avant d'installer la cuisinière.
2. Enlevez tout le matériel d'emballage des compartiments du four avant de connecter l'alimentation électrique à la cuisinière.
3. Respectez tous les codes et règlements applicables.
4. N'oubliez pas de laisser ces instructions au consommateur.

Note importante au consommateur

Conservez ces instructions avec le guide de l'utilisateur pour référence future.

INSTRUCTIONS DE SÉCURITÉ IMPORTANTES

Ce guide contient des instructions et symboles de sécurité importants. Veuillez faire particulièrement attention à ces symboles et suivre les instructions données.

⚠ AVERTISSEMENT Ce symbole vous prévient des situations qui risquent d'entraîner de graves blessures, la mort ou des dommages matériels.

⚠ ATTENTION Ce symbole vous prévient des situations pouvant entraîner des blessures ou dommages matériels.

⚠ ATTENTION Des températures trop basses peuvent endommager le contrôleur électronique de l'appareil. Au cours de la première utilisation ou lorsque l'appareil n'a pas été utilisé pendant un certain temps, assurez-vous qu'il a été exposé à des températures au dessus de 32°F (0°C) pendant une durée supérieure à 3 heures avant de le mettre en marche.

- **Assurez-vous que votre cuisinière est correctement installée et mise à la terre par un installateur ou un technicien d'entretien qualifié.**
- **Le circuit électrique de cette cuisinière doit être mis à la terre conformément** aux règlements locaux, ou en l'absence de règlements, au code national de l'électricité ANSI/NFPA no. 70- dernière édition aux États-Unis ou à la norme canadienne d'électricité, ACNOR C22.1, partie 1, au Canada.
- L'installation d'appareils conçus pour les maisons (mobiles) doit se conformer aux normes de la Manufactured Home Construction and Safety Standard, titre 24CFR, partie 3280 (antérieurement Federal Standard for Mobile Home Construction and Safety, titre 24, HUD (partie 280)) ou en l'absence de normes, aux normes de la Manufactured Home Installation 1982 (Manufactured Home Sites, Communities and Setups), ANSI Z225.1/NFPA 501A-dernière édition, ou aux codes locaux. Lorsque l'installation se fait au Canada, elle doit se conformer à la norme CAN/CSA-Z240 MH.
- **Assurez-vous que la tapisserie à proximité du four peut résister à la chaleur générée par la cuisinière.**
- **Avant d'installer la cuisinière à un endroit recouvert de linoléum ou de tout autre couvre-plancher synthétique, assurez-vous que celui-ci peut résister à un minimum de 90°F (32,2°C) de chaleur au-dessus de la température de la pièce sans se rapetisser, se déformer ou se décolorer.** N'installez pas la cuisinière sur un tapis, à moins de placer un tampon isolant ou une feuille de contreplaqué d'une épaisseur de ¼" (0,64 cm) entre la cuisinière et le tapis.

⚠ AVERTISSEMENT Ne laissez jamais les enfants seuls ou sans surveillance près d'un appareil en fonction. Au fur et à mesure qu'ils grandissent, apprenez-leur à utiliser les appareils électroménagers de façon sécuritaire et appropriée. Ne laissez jamais la porte du four ouverte lorsque la cuisinière est sans surveillance.

⚠ AVERTISSEMENT Le fait de monter sur les portes ou les tiroirs de cette cuisinière, de s'y appuyer ou de s'y asseoir peut occasionner des blessures graves, tout en endommageant l'appareil.

- **N'entrez pas d'objets susceptibles d'intéresser les enfants dans les armoires situées au-dessus de la cuisinière.** Ces derniers risquent

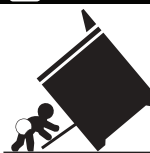
de se brûler sérieusement s'ils essaient de grimper sur l'appareil pour atteindre les objets.

- **Pour éliminer les risques de brûlures ou de feu en allongeant le bras au-dessus des surfaces de cuisson chaudes, évitez d'installer des armoires au-dessus de la plaque de cuisson.** Si vous devez en installer, il est possible de réduire le risque en plaçant une hotte pour cuisinière qui excède horizontalement d'un minimum de 5" (12,7 cm) la base de l'armoire.
- **N'utilisez pas le four à des fins de rangement.** Ceci génère une situation éventuellement dangereuse.
- **N'utilisez jamais votre cuisinière pour réchauffer ou chauffer la pièce.** L'utilisation prolongée de la cuisinière sans une ventilation adéquate peut s'avérer dangereuse.
- **Ne gardez pas de produits combustibles, d'essence et d'autres produits inflammables à proximité de cet appareil ou de tout autre appareil.** Il pourrait en résulter des explosions ou un incendie.
- **Remplacez toutes les commandes à la position arrêt "off"** après l'utilisation d'une fonction programmable chronométrée.

POUR LES MODÈLES MUNIS DE L'AUTONETTOYAGE:

- **Enlevez la lèchefrite, les grilles, les aliments et les autres ustensiles avant l'autonettoyage du four.** Essayez tous les renversements excessifs. Suivez les instructions pour le prénettoyage dans le [Guide de l'utilisateur](#).

⚠ AVERTISSEMENT Risque de basculement



- Un enfant ou un adulte peut faire basculer la cuisinière et en décéder.
- Vérifiez que le dispositif anti-renversement a été fixé au plancher ou au mur tel qu'indiqué dans les instructions d'installation.
- Assurez-vous d'enclencher le dispositif anti-renversement lorsque la cuisinière est déplacée sur le plancher ou contre le mur.
- Ne faites pas fonctionner la cuisinière si le dispositif anti-renversement n'est pas en place et enclenché.
- Le non-respect de ces instructions peut causer des blessures fatales ou de graves brûlures aux enfants et aux adultes.

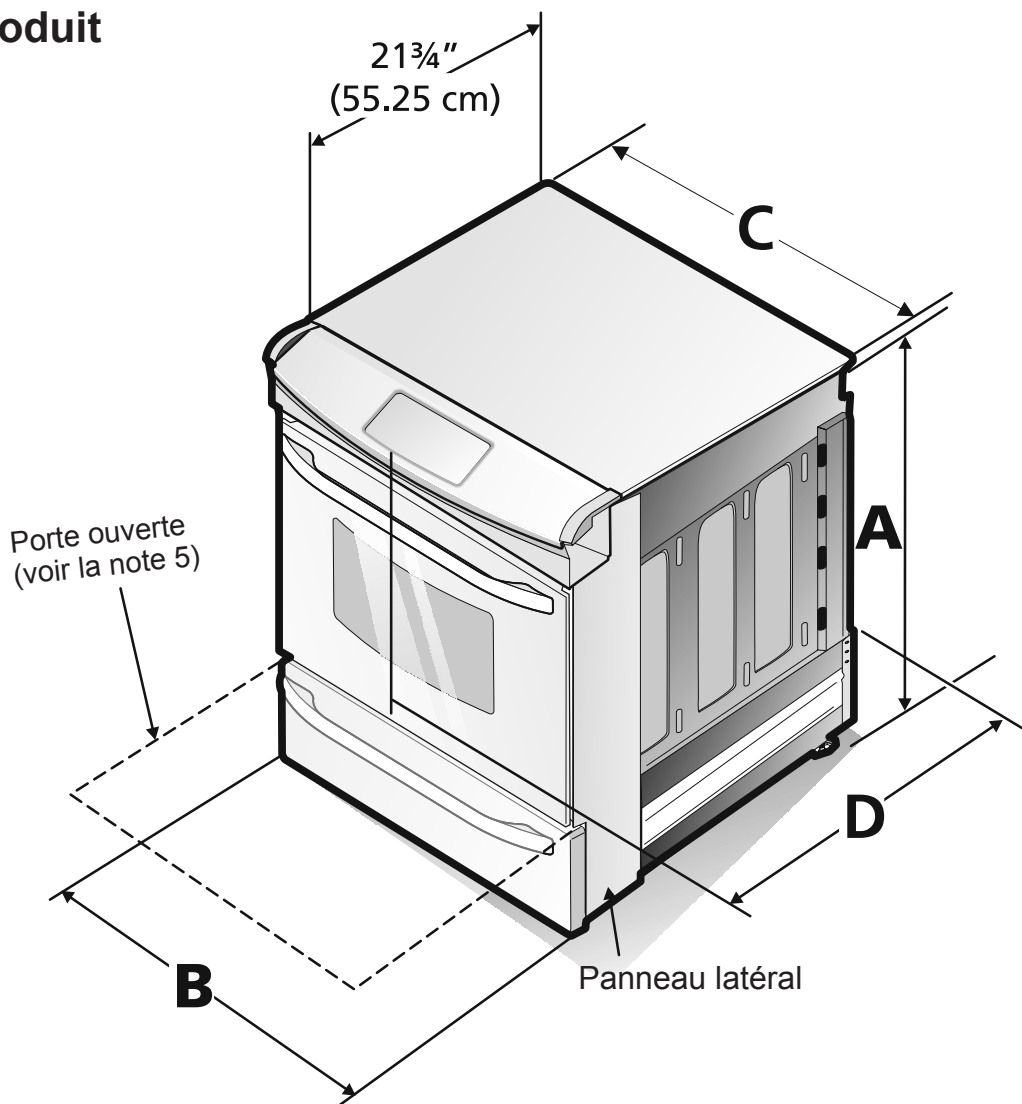


Pour vérifier si le support anti-renversement est correctement installé, attrapez le bord arrière de la cuisinière à deux mains. Essayez doucement de faire basculer la cuisinière vers l'avant. Lorsque le support est correctement installé, la cuisinière ne doit pas basculer vers l'avant.

INSTRUCTIONS D'INSTALLATION POUR LA CUISINIÈRE 30" ENCASTRABLE

Dimensions du produit

⚠ AVERTISSEMENT Ne pas insérer l'unité dans le comptoir sans avoir lu les deux prochaines pages.



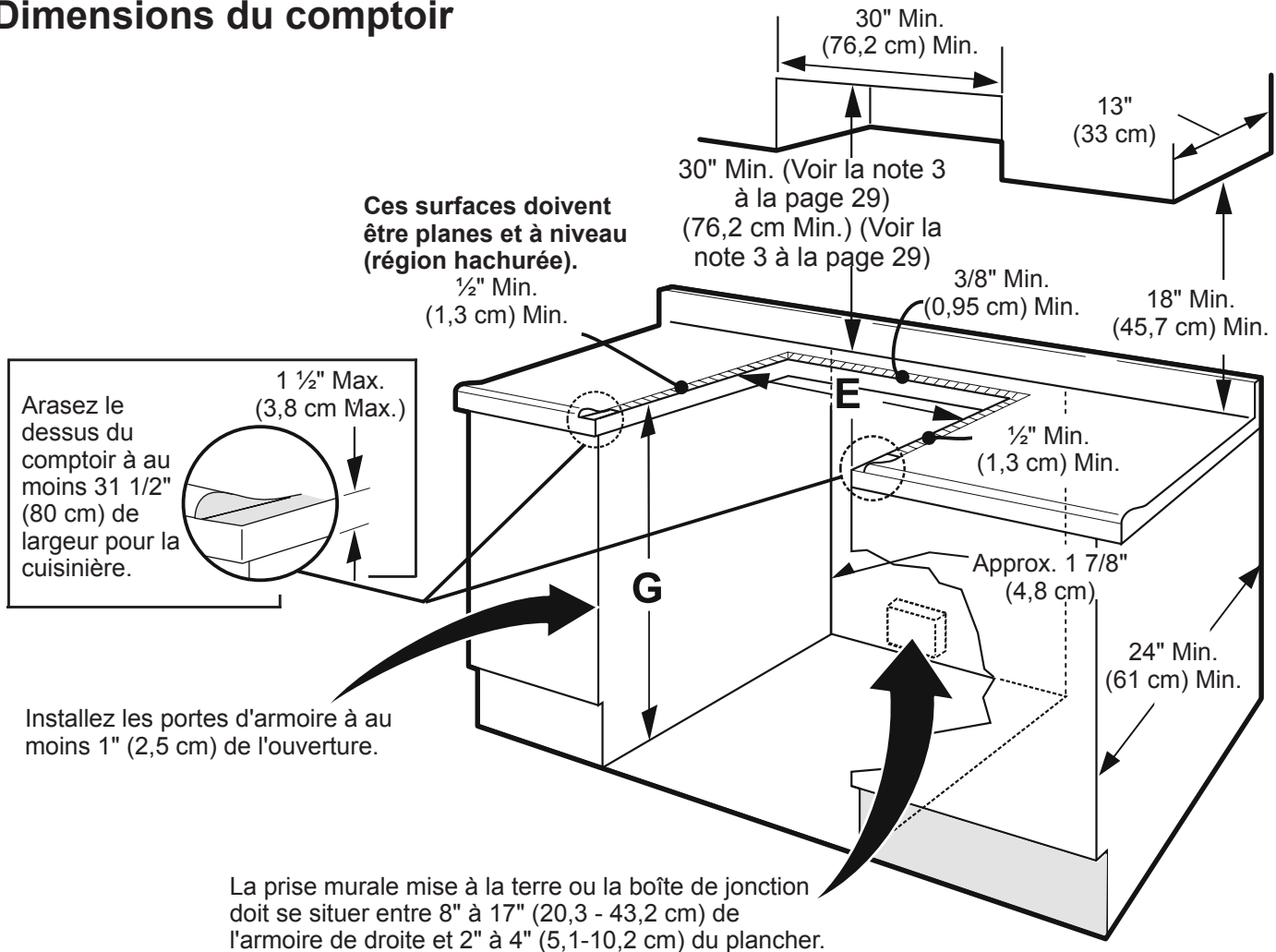
A. HAUTEUR (Sous la table de cuisson)	B. LARGEUR	C. LARGEUR DE LA TABLE DE CUISSON	D. PROFONDEUR TOTALE À L'AVANT DE LA CUISINIÈRE
35 3/4" (90,8 cm) 36 5/8" (93 cm)	30" (76,2 cm)	31 1/2" (80 cm)	28 5/16" (71,9 cm)

NOTE:

- 1 Ne coincez pas le cordon d'alimentation entre le mur et l'appareil.
- 2 Ne scellez pas l'appareil aux armoires latérales.
- 3 Dégagement minimum de 24" (61 cm) entre la plaque de cuisson et la bas de l'armoire du haut lorsque le dessous de l'armoire en bois ou en métal est protégé par un celloderme retardateur de flammes d'un minimum de 1/4" (0,64 cm) recouvert d'une feuille de métal MSG No. 28, d'acier inoxydable d'un minimum de 0,015" (0,4 mm), d'aluminium de 0,024" (0,6 mm) ou de cuivre de 0,020" (0,5 mm).
Dégagement minimum de 30" (76,2 cm) lorsque l'armoire n'est pas protégée.
- 4 Notez que pour les ouvertures de moins de 22 7/8" (58,1 cm) de profondeur, l'appareil dépassera légèrement vers l'avant du comptoir.
- 5 Allouez au moins 19 1/4" (48,9 cm) d'espace pour permettre l'ouverture de la porte du four.

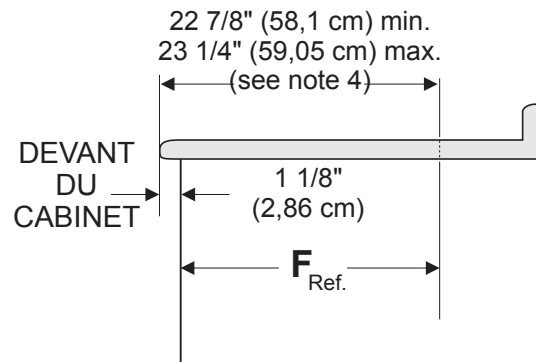
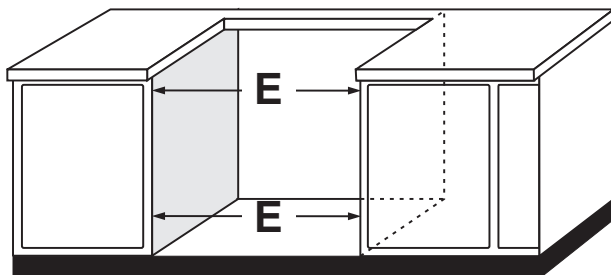
INSTRUCTIONS D'INSTALLATION POUR LA CUISINIÈRE 30" ENCASTRABLE

Dimensions du comptoir



E. LARGEUR DE DÉCOUPAGE (comptoir et armoire)	F. PROFONDEUR DE DÉCOUPAGE	G. HAUTEUR DU DESSUS DE COMPTOIR
30±1/16" (76,2±0,16 cm)	21 3/4" (55,2 cm) Min. 22 1/8" (56,2 cm) Max 24" (61 cm) si un dossier est installé	35 7/8" (91,1 cm) Min. 36 5/8" (93 cm) Max.

*****IMPORTANT:** Pour une largeur de découpage (dimension E) plus grande que 30 1/16" (76,4 cm) et pour éviter un bris de la table de cuisson, au moment d'insérer l'appareil dans le comptoir assurez-vous qu'il est bien centré dans l'ouverture. Levez les pattes de nivellement et les roulettes de nivellement au maximum (page 31), insérez l'appareil dans le comptoir et ensuite nivelez-le. Assurez-vous que l'appareil est bien supporté par les pattes et les roulettes de nivellement et non par la table de cuisson.



IMPORTANT: La largeur du comptoir et de l'armoire doit être égale à la largeur de découpage.

INSTRUCTIONS D'INSTALLATION POUR LA CUISINIÈRE 30" ENCASTRABLE

Pour éviter les cassures: NE PAS manipuler l'appareil par la table de cuisson vitrifiée.

- 1 Le comptoir alentour de l'ouverture de découpage doit être plat et à niveau (voir hachures sur illustration 1).

- 2 Avant d'installer l'appareil, mesurer les hauteurs des deux (2) côtés du comptoir (H1-4), avant et arrière (voir illustration 1) du plancher jusqu'au dessus du comptoir.

Arasez le dessus du comptoir à au moins 31½" (80 cm) de largeur pour la cuisinière.

1 ½" Max. (3,8 cm Max.)

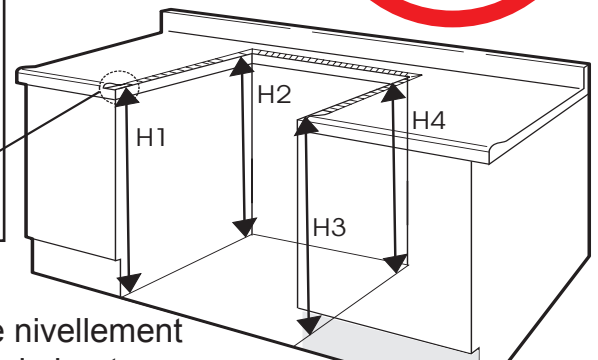
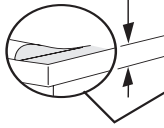


Illustration 1

- 3 Mettre l'appareil à niveau en utilisant les pattes de nivellement et le dispositif de nivellement (si présent) pour que la hauteur entre le plancher et le renfort de métal en dessous de la table de cuisson soit plus grande par 1/16" (0,16 cm) que la plus grande mesure H1-4 (voir illustration 2).
- 4 Glisser l'appareil dans le comptoir. Assurez-vous que le centre de l'appareil soit aligné avec le centre de l'ouverture du comptoir.
- 5 Enlever les protecteurs de plastique sur chaque côté de la table de cuisson (si inclus avec l'appareil).
- 6 Le renfort de métal en dessous de chaque côté de la table de cuisson reposer sur le comptoir pour que l'appareil soit bien supporté. La table de cuisson ne doit toucher directement le comptoir (voir illustration 2), sinon cela pourrait provoquer un bris de la table qui annulera la garantie. Nivelier l'appareil si nécessaire.

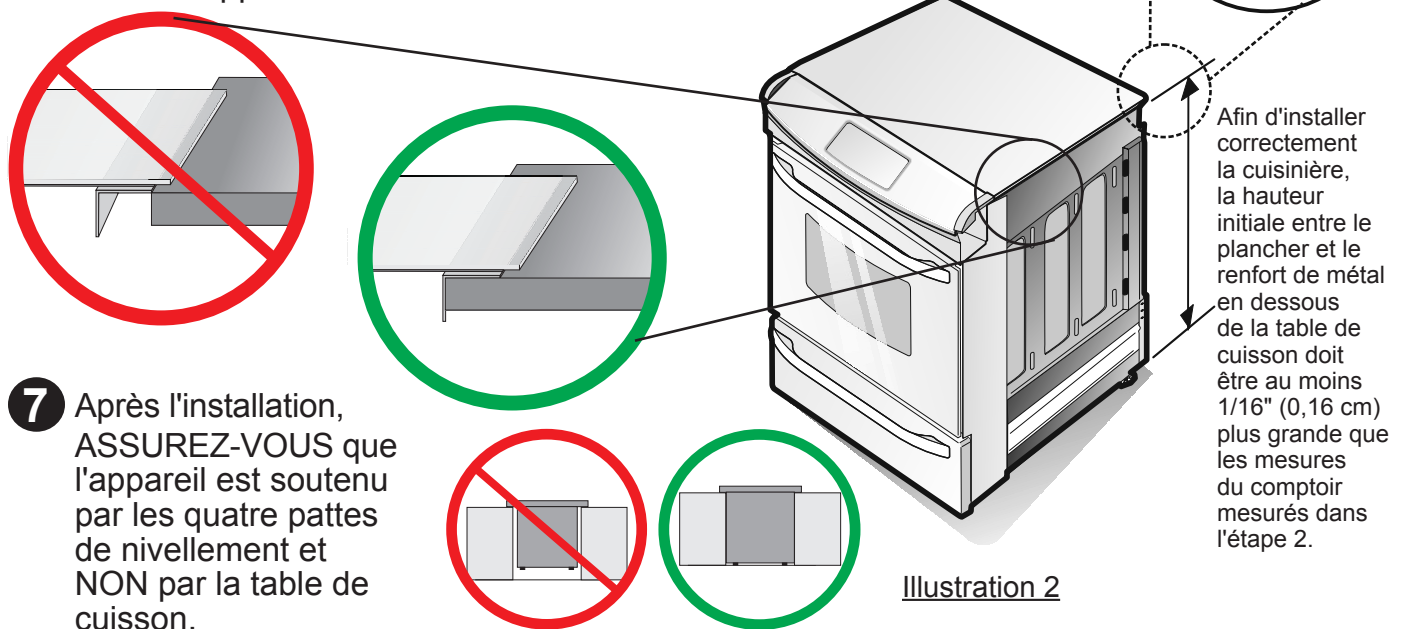


Illustration 2

- 7 Après l'installation, ASSUREZ-VOUS que l'appareil est soutenu par les quatre pattes de nivellement et NON par la table de cuisson.

INSTRUCTIONS D'INSTALLATION POUR LA CUISINIÈRE 30" ENCASTRABLE

1. Emplacement de la plaque signalétique

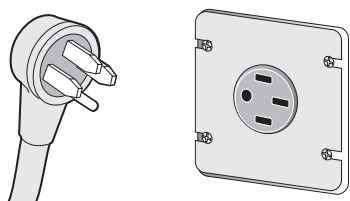
Vous trouverez les numéros de modèle et de série de votre appareil sur la plaque signalétique. Cette dernière est située à l'endroit montré ici.

Veuillez prendre en note ces numéros pour référence future.



2. Modèles avec cordon d'alimentation branché en usine (Canada seulement)

Les cuisinières canadiennes sont munies d'un cordon d'alimentation branché en usine (voir Figure 1). Il doit être connecté à une prise d'alimentation de 120/240 volt, mise à la terre, ou à une prise de courant pour cuisinières de 120/208 volt. Si aucune prise d'alimentation n'est disponible, demandez à un électricien compétent d'en installer une.



Modèles canadiens
Figure 1

3. Ensemble de cordon d'alimentation (États-Unis)

Il incombe à l'utilisateur de faire raccorder le cordon d'alimentation au bloc de connexion situé derrière le couvercle du panneau arrière.

Il est possible de connecter l'appareil soit au moyen d'un câblage "permanent dur" (câble flexible en cuivre blindé ou muni d'une gaine protectrice non métallique) soit au moyen d'un ensemble de cordon d'alimentation.

NOTE: L'appareil sort de l'usine avec un trou de 1 1/8" (2,9 cm) dia. tel que montré à la figure 3. Si un trou plus grand est requis, repoussez la pastille.

⚠ AVERTISSEMENT Il existe des risques d'incendie ou de choc électrique, si la capacité du cordon utilisé est inadéquate, si les instructions d'installation ne sont pas suivies ou si le réducteur de tension n'est pas utilisé.

Dans les maisons mobiles (États-Unis), les nouvelles installations ou les véhicules récréatifs, utilisez seulement un cordon d'alimentation conçu pour une cuisinière à 125/250 volts de 50 ampères recommandé

(40A minimum). Le cordon doit soit avoir 3 (lorsque le code local permet la mise à terre par le neutre) ou 4 conducteurs. Les bornes aux extrémités des câbles doivent comporter soit une boucle fermée, soit des cosses à fourches ouvertes et aux extrémités renversées. Le cordon doit être muni d'un réducteur de tension.

⚠ MISE EN GARDE Ne desserrez pas les écrous des fils installés en usine. Une panne, un bris ou des conditions dangereuses pourraient s'en suivre.

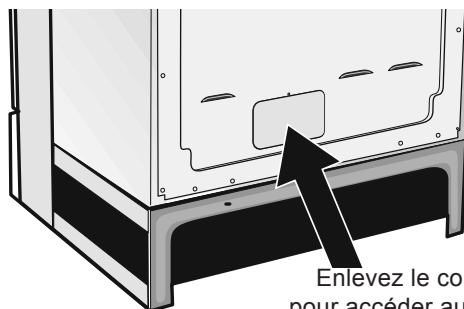
⚠ AVERTISSEMENT

Risque de choc électrique

- La mise à la terre de cet appareil est obligatoire.
- Ne branchez pas l'appareil au circuit électrique avant qu'il soit mis à la terre correctement, en permanence.
- Interrompez le courant dans la boîte de jonction avant d'effectuer la connexion électrique.
- Cet appareil doit être branché à un système de câblage métallique, mis à la terre en permanence, ou un connecteur mis à la terre doit être branché à la borne de mise à la terre ou directement sur l'appareil.

Si vous ne suivez pas les instructions précitées à la lettre, il peut en résulter un incendie, des blessures ou un choc électrique.

4. Accès au bloc de connexions et à la plaque de mise à terre.



Enlevez le couvercle arrière pour accéder aux bornes du bloc de connexion de la cuisinière

Figure 2

⚠ AVERTISSEMENT Cet électroménager est manufacturé avec une mise à la terre au châssis à l'aide d'une plaque de mise à terre posée entre le terminal neutre et le châssis. Si l'appareil est utilisé, aux États-Unis, dans une maison mobile, un nouveau branchement (1996 NEC), un véhicule récréatif où les codes locaux n'autorisent pas la connexion du conducteur de mise à la terre du châssis au neutre ou au Canada; retirez la plaque de mise à terre du châssis et coupez l'autre bout, près du terminal neutre. Branchez ensuite l'appareil de manière usuelle.

5. Connexions électriques à la cuisinière (U.S.A.)

Pour une connexion à un câble d'alimentation à trois conducteurs (Etats-Unis seulement)

Si les codes locaux permettent la connexion du conducteur de mise à la terre du châssis au fil neutre du cordon d'alimentation en cuivre (voir figure 3).

1. Enlevez la vis qui retient le couvercle arrière afin de vous permettre d'atteindre les bornes du bloc de connexion de la cuisinière (voir figure 2).
2. Utilisez les écrous fournis dans l'enveloppe littérature pour raccorder le neutre du cordon d'alimentation cuivré à la borne argentée située au centre du bloc de connexion, et raccordez les autres fils aux bornes extérieures. Assortissez les fils et les bornes conformément aux couleurs (branchez le fil rouge à la borne de droite, et le fil noir à la borne de gauche) (voir figure 3).
3. Remplacez le couvercle arrière et fixez-le à l'aide de la vis enlevée à l'étape 1.

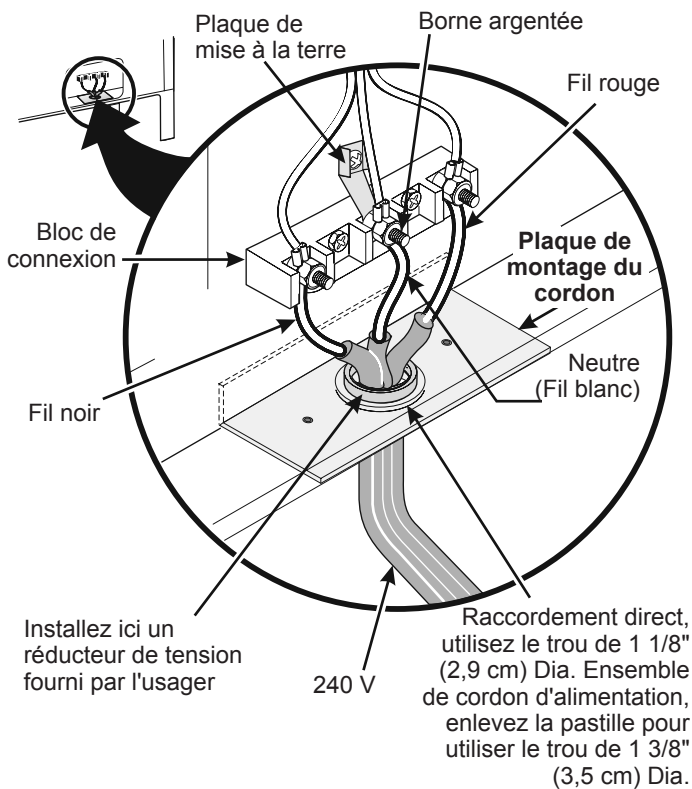
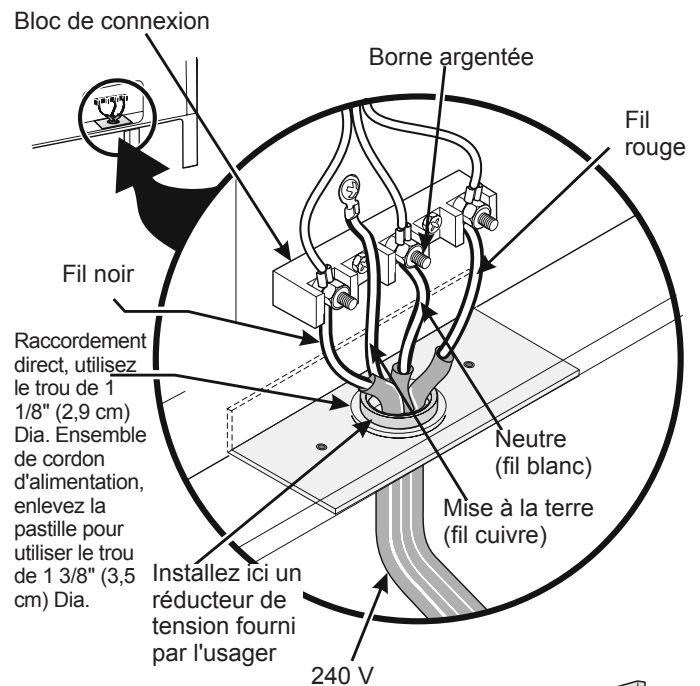


Figure 3

Pour une connexion à un câble d'alimentation à quatre conducteurs (maisons mobiles) (États-Unis)

Si les codes locaux ne permettent PAS la connexion du conducteur de mise à la terre du châssis au fil neutre du cordon d'alimentation en cuivre (voir figure 4).

1. Enlevez la vis qui retient le couvercle arrière afin de vous permettre d'atteindre les bornes du bloc de connexion de la cuisinière (voir figure 2).
2. Enlevez la plaque de mise à la terre de la borne centrale du bloc de connexion et du châssis de l'appareil. Conservez la vis de mise à la terre.
3. Branchez le fil de mise à la terre (vert) du cordon d'alimentation cuivré, au châssis de l'appareil avec la vis de mise à la terre, à l'aide du trou dans le châssis à l'endroit où la bande de mise à la terre a été enlevée (voir Figure 4).
4. Utilisez les écrous fournis dans l'enveloppe littérature pour raccorder le neutre (blanc) du cordon d'alimentation cuivré, à la borne argentée située au centre du bloc de connexion, et raccordez les autres fils aux bornes extérieures. Assortissez les fils et les bornes conformément aux couleurs (branchez le fil rouge à la borne de droite, et le fil noir à la borne de gauche).
5. Remplacez le couvercle arrière et fixez-le à l'aide de la vis enlevée à l'étape 1.



NOTE: Assurez-vous d'enlever la plaque de mise à la terre fournie avec l'appareil.

Figure 4

INSTRUCTIONS D'INSTALLATION POUR LA CUISINIÈRE 30" ENCASTRABLE

Connexions électriques au système électrique de la résidence

L'appareil doit être raccordé directement au disjoncteur ou au compartiment de fusibles au moyen d'un câble flexible en cuivre, blindé ou muni d'une gaine protectrice non métallique (avec fil de mise à la terre). Un des connecteurs homologués UL doit être fixé à chaque extrémité du câble d'alimentation (à l'appareil et à la boîte de jonction). Les grosseurs des fils (**fil en cuivre seulement**) et des raccordements doivent se conformer à la capacité de l'appareil.

Si les codes locaux permettent le raccordement du conducteur de mise à la terre du châssis au fil neutre (blanc) de la boîte de jonction (voir figure 5):

1. Débranchez l'alimentation.
2. Enlevez la plaque de mise à la terre de la borne centrale du bloc de connexion et du châssis de l'appareil. Conservez la vis de mise à la terre.
3. Dans la boîte de jonction:
 - a) Reliez ensemble, le fil blanc, le fil vert (dénudé) de l'appareil et le fil neutre (blanc) du câble d'alimentation.
 - b) Reliez ensemble les deux fils noirs.
 - c) Reliez ensemble les deux fils rouges.

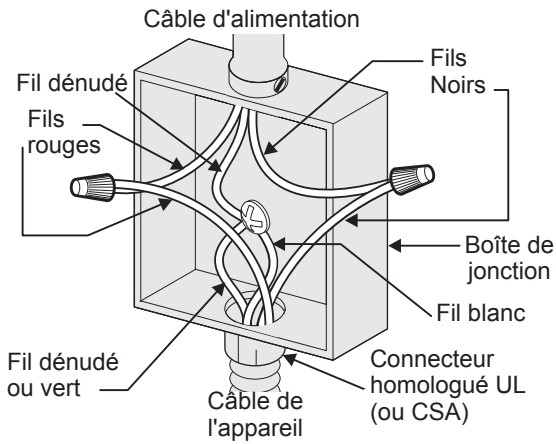


Figure 5

BOÎTE DE JONCTION À 3 FILS - MISE À LA TERRE

Aux endroits où les codes locaux l'interdisent, ou si vous raccordez à un système électrique à quatre conducteurs, ne raccordez pas le conducteur de mise à la terre du châssis au fil neutre (blanc) de la boîte de jonction (voir figure 6):

1. Débranchez l'alimentation électrique.
2. Enlevez la plaque de mise à la terre de la borne centrale du bloc de connexion et du châssis de l'appareil. Conservez la vis de mise à la terre.
3. Dans la boîte de jonction:
 - a) Reliez le fil blanc du câble de l'appareil au fil neutre (blanc) du câble d'alimentation.
 - b) Reliez les deux fils noirs ensemble.
 - c) Reliez les deux fils rouges ensemble.
 - d) Reliez le fil de cuivre ou dénudé du câble de l'appareil au fil de cuivre ou dénudé du câble d'alimentation.

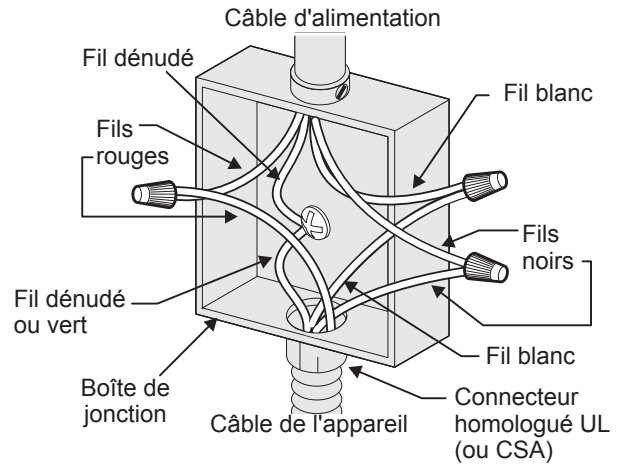


Figure 6

BOÎTE DE JONCTION À 4 FILS - MISE À LA TERRE

6. Construction de l'armoire

6.1

⚠ MISE EN GARDE

Pour éliminer les risques de brûlures ou de feu, en étendant le bras au-dessus des surfaces de cuisson chaudes, évitez d'installer des armoires au-dessus de ces dernières. Si vous devez en installer, il est possible de réduire le risque en plaçant une hotte pour cuisinière qui excède horizontalement d'un minimum de 5" (12,7 cm) la base de l'armoire.

6.2

Préparation du dessus de comptoir

- Les côtés de la table de cuisson de la cuisinière s'ajustent au-dessus du rebord du découpage du dessus de comptoir.
- Si vous avez un dessus de comptoir au **fini carré (plat)**, il n'est pas nécessaire de préparer le dessus du comptoir.
- Les dessus de comptoir au **rebord avant moulé** doivent être aplanis de $\frac{3}{4}$ " (1,9 cm) à chaque coin avant de l'ouverture (Figure 7).
- Il est possible qu'il soit nécessaire d'araser de $\frac{3}{4}$ " (1,9 cm) les dessus de **comptoir en mosaïque** à chaque coin avant et/ou d'aplanir le rebord arrondi (Figure 7).
- **Si la largeur de l'ouverture du dessus de comptoir est supérieure à la largeur minimale requise**, ajustez en conséquence la dimension $\frac{3}{4}$ " (1,9 cm).

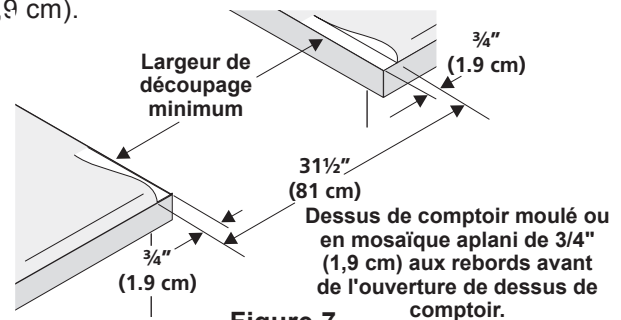


Figure 7

INSTRUCTIONS D'INSTALLATION POUR LA CUISINIÈRE 30" ENCASTRABLE

- **Le dessus de comptoir doit être à niveau.** Placez un niveau sur le dessus de comptoir, d'abord de chaque côté, et ensuite du devant à l'arrière. Si le dessus de comptoir n'est pas horizontal, la cuisinière ne le sera pas non plus. Le four doit être à l'horizontal pour obtenir des résultats de cuisson satisfaisants. Les côtés de la table de cuisson de la cuisinière s'ajustent au-dessus de l'angle du découpage du dessus de comptoir sans le toucher.

7. Installation de la cuisinière

Note Importante: L'enlèvement de la porte du four n'est pas requis pour l'installation de l'appareil, mais la facilite grandement. Référez-vous au manuel d'utilisation pour connaître les étapes.

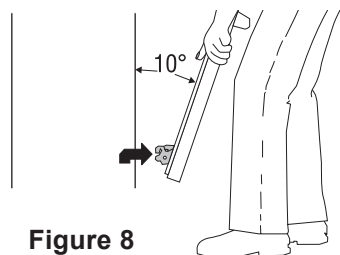


Figure 8

Installation standard

- 7.1** La table de cuisson chevauche chaque côté du dessus du comptoir et la cuisinière est assise sur le plancher. La largeur de la table de cuisson est de 31½" (80 cm).
- 7.2** Les armoires sous le comptoir doivent être distantes de 30" (76,2 cm). Assurez-vous qu'elles sont d'aplomb et de niveau avant d'y installer la cuisinière. Araser le rebord bombé à l'extrémité avant du comptoir pour obtenir un ajustement serré entre les bords extérieurs de la table de cuisson de 31½" (80 cm) et le comptoir.
- 7.3** Distancez les portes des armoires de 32" (81,3 cm) minimum afin qu'elles n'interfèrent pas avec l'ouverture de la porte du four.
- 7.4** Découpez le comptoir tel que montré à la page 30.

Modèles possédant un dispositif de nivellement:

- 7.5** Lorsque vous déballez l'appareil les dispositifs de nivellement situés à l'arrière de l'appareil sont à la position la plus haute. Assurez-vous que les pattes de nivellement à l'avant sont aussi plus hautes que le comptoir.
- 7.6** **⚠ MISE EN GARDE** Installez le support anti-bascule maintenant avant de placer l'appareil à sa position finale. Suivez les instructions à la page 38 ou sur le gabarit fourni avec le support anti-bascule de l'appareil.

- 7.7** Afin d'obtenir une installation optimale, les 3 côtés du comptoir recevant l'appareil doivent être plats et à niveau. Tous les ajustements adéquats afin que le comptoir soit plat doivent être faits sinon des espaces entre l'appareil et le comptoir peuvent se produire.
- 7.8** **⚠ MISE EN GARDE** Pour éviter d'endommager l'appareil, ne pas le saisir ou le manipuler par la vitre de la surface de cuisson. Manipulez-le avec soin.
- 7.9** Centrez l'appareil devant l'ouverture du comptoir.
- 7.10** Assurez-vous que la surface de cuisson vitrifiée allant par dessus le comptoir est bien plus haute que le comptoir. Si tel n'est pas le cas, levez l'appareil en baissant les pattes de nivellement.
- 7.11** Glissez l'appareil dans l'ouverture du comptoir et centrez le avant de le mettre à niveau.
- 7.12** **Nivelez la cuisinière (voir la section 8).** Le plancher qui supporte la cuisinière doit être de niveau.
- 7.13** Ajustez les dispositifs de nivellement pour que le dessous de la table de cuisson repose au dessus du comptoir. Doucement relevez les dispositifs de nivellement arrière afin que la surface vitrifiée touche à peine le comptoir. La surface vitrifiée ne doit pas supporter l'appareil. Finalement, relevez doucement les vis de nivellement avant jusqu'à ce que la surface vitrifiée touche à peine le comptoir.

Modèles possédant des vis de nivellement:

- 7.5** Assurez-vous que les quatre pattes de nivellement (arrière et avant) soient installées plus hautes que la hauteur du comptoir.
- 7.6** **⚠ MISE EN GARDE** Installez le support anti-bascule maintenant avant de placer l'appareil à sa position finale. Suivez les instructions à la page 39 ou sur le gabarit fourni avec le support anti-bascule de l'appareil.
- 7.7** Afin d'obtenir une installation optimale, les 3 côtés du comptoir recevant l'appareil doivent être plats et à niveau. Tous les ajustements adéquats afin que le comptoir soit plat doivent être faits sinon des espaces entre l'appareil et le comptoir peuvent se produire.
- 7.8** **⚠ MISE EN GARDE** Pour éviter d'endommager l'appareil, ne pas le saisir ou le manipuler par la vitre de la surface de cuisson. Manipulez-le avec soin.
- 7.9** Centrez l'appareil devant le centre de l'ouverture du comptoir.

INSTRUCTIONS D'INSTALLATION POUR LA CUISINIÈRE 30" ENCASTRABLE

7.10 Assurez-vous que la surface de cuisson vitrifiée allant par dessus le comptoir est bien plus haute que le comptoir. Si tel n'est pas le cas, levez l'appareil en baissant les pattes de nivellement.

7.11 **Nivelez la cuisinière (voir la section 8).** Le plancher qui supporte la cuisinière doit être de niveau.

7.12 Finalement, glissez l'appareil dans l'ouverture du comptoir.

IMPORTANT Si des accessoires sont requis:

Installation avec un dossier

La profondeur du découpage de (21 $\frac{3}{4}$ " (55,2 cm) Min., 22 $\frac{1}{8}$ " (56,2 cm) Max.) doit être augmentée à 24" (61 cm) lorsqu'un dossier est installé sur l'appareil.

Installation d'une moulure arrière

Vous pouvez commander un nécessaire pour moulure arrière dans un centre de service.

Installation de panneaux latéraux

Vous pouvez commander un nécessaire pour panneaux latéraux dans un centre de service. Distancez les portes des armoires de 32" (81,3 cm) minimum afin qu'elles n'interfèrent pas avec l'ouverture de la porte du four.

5. S'il est impossible de mettre à niveau l'appareil, contactez un menuisier pour corriger les défauts dans le plancher.

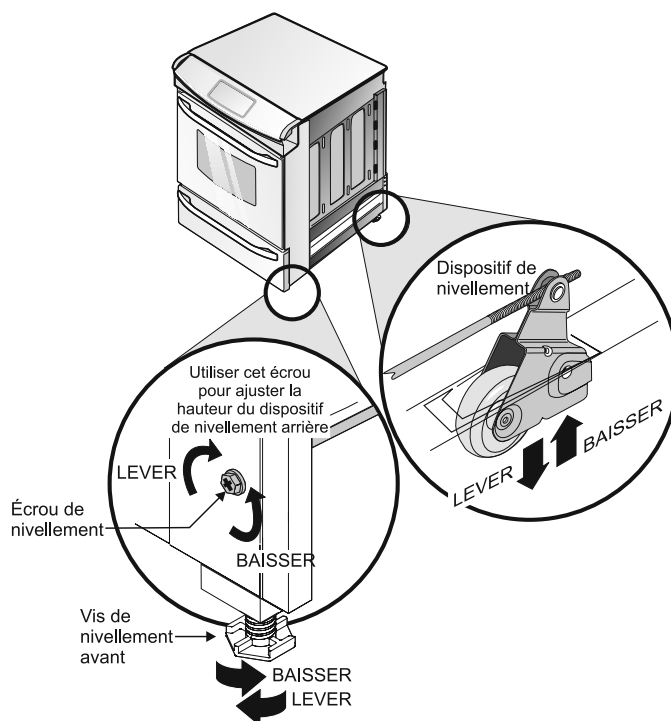


Figure 9

8. Mise à niveau de la cuisinière

8.1 Modèles possédant un dispositif de nivellement

Mettez à niveau l'appareil après l'avoir inséré dans le comptoir

1. Ouvrez le tiroir de la cuisinière. Des vis de nivellement contrôlent la hauteur des dispositifs de nivellement arrière.
2. Ajustez les pieds de l'appareil, comme décrit plus loin, jusqu'à ce que le dessous de la surface de cuisson s'appuie délicatement sur le dessus du comptoir et soit à niveau (Figure 9).
 - a. Pour ajuster les vis de nivellement avant, utilisez une clé à molette, localisez la vis et tournez-la dans le sens anti-horaire pour baisser ou dans le sens horaire pour lever l'appareil.
 - b. Pour ajuster les dispositifs de nivellement arrière, utilisez un tourne-écrou ou un rochet et tournez l'écrou de nivellement dans le sens anti-horaire pour baisser et dans le sens horaire pour lever l'appareil.
3. Vérifiez si l'appareil est à niveau en installant une grille au centre du four et en plaçant un niveau à bulle sur cette dernière (Figure 10).
4. Prenez 2 lectures en plaçant le niveau en diagonale dans une direction, puis dans l'autre direction. Si nécessaire, ajustez les 2 vis et les dispositifs de nivellement.

8.2 Modèles possédant des vis de nivellement

Mettez la cuisinière de niveau et ajustez la hauteur de la table de cuisson avant de l'installer dans le découpage du comptoir.

1. Installez une grille au centre du four.
2. Déposez un niveau à bulle sur la grille (figure 10). Prenez 2 lectures en plaçant le niveau en diagonale dans une direction, puis dans l'autre direction. Si nécessaire, ajustez les vis de nivellement ou le dispositif de nivellement (figure 17).
3. Glissez délicatement la cuisinière, en faisant attention de ne pas abîmer le dessus du comptoir, dans le découpage du comptoir et vérifiez si elle est encore de niveau.

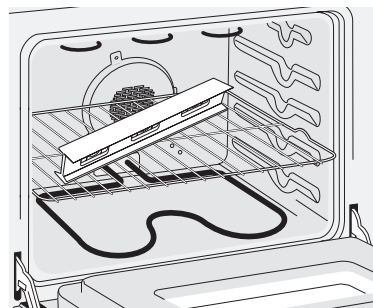


Figure 10

9. Vérification du Fonctionnement

Référez-vous au Manuel d'utilisation et d'entretien fourni avec la cuisinière pour les directives de fonctionnement d'entretien et de nettoyage.

⚠ MISE EN GARDE Ne touchez pas aux éléments. Ils peuvent être assez chauds pour causer des brûlures.

Enlevez tout le matériel d'emballage du four avant de commencer les essais.

9.1 Fonctionnement des éléments de surface

Régler les éléments de surface et vérifiez s'ils chauffent. Vérifier si la (les) lampe(s) témoin(s) s'allume(nt) (certains modèles).

9.2 Fonctionnement des éléments du four

Ce four peut être équipé d'un contrôleur électronique. Chacune des fonctions a été vérifiée à l'usine avant l'expédition. Nous vous suggérons cependant de vérifier une fois de plus le fonctionnement des commandes du contrôleur électronique. Référez-vous au Manuel d'utilisation et d'entretien pour le mode de fonctionnement. Suivez les instructions sur les fonctions de l'Horloge (Clock), de la Minuterie (Timer), de la cuisson au four (Bake), au gril (Broil), par convection (Convection) (certains modèles) et de nettoyage (Clean). N'oubliez pas de régler l'horloge en premier.

Cuisson au four (Bake)– Après avoir réglé le four à 350°F (177°C) pour la cuisson au four, l'élément inférieur du four doit devenir rouge.

Cuisson au gril (Broil)– Lorsque le four est réglé à Cuisson au GRIL (BROIL), l'élément supérieur du four doit devenir rouge.

Nettoyage (Clean) (certains modèles)– Lorsque le four est réglé pour un cycle autonettoyant, l'élément supérieur devrait devenir rouge durant le préchauffage du cycle. Une fois la température autonettoyante atteinte, l'élément inférieur deviendra rouge.

Convection (certains modèles)– Lorsque le four est réglé à CONV. BAKE/ROAST à 350°F (177°C), l'élément convection se met à chauffer et le ventilateur de convection se met à tourner. Le ventilateur de convection arrête de tourner lorsque la porte du four est ouverte durant la cuisson par convection.

Tiroir-réchaud (certains modèles)–Tournez le bouton d'ajustement à ÉLEVÉ (HI) et vérifiez si le tiroir chauffe.

Lorsque tous les raccords sont terminés

Vérifiez si toutes les commandes sont en position d'arrêt.

Emplacement des numéros de modèle et de série

La plaque signalétique est située sur la moulure interne du côté gauche du four et visible lorsque la porte est ouverte.

Lors d'une commande de pièces ou pour toute demande de renseignements au sujet de votre cuisinière, assurez-vous de toujours inclure les numéros de modèle et de série inscrits sur la plaque signalétique de votre cuisinière.

Avant d'appeler le service d'entretien

Réviser la liste des vérifications préventives et les instructions d'opération dans votre Guide de l'utilisateur. Vous sauvez probablement du temps et de l'argent. La liste contient les événements ordinaires qui ne résultent pas de défauts dans le matériel ou la fabrication de cet appareil.

Pour obtenir notre adresse et nos numéros de téléphone, référez-vous à la garantie et aux renseignements sur les services d'entretien dans votre Manuel d'utilisation et d'entretien. Prière de nous téléphoner ou de nous écrire pour toute demande d'information au sujet de votre cuisinière et/ou si vous désirez commander des pièces.

11. Instructions d'installation du support anti-bascule

11.1 Modèles possédant un dispositif de nivellement

⚠ AVERTISSEMENT Pour réduire le risque de basculement de la cuisinière, protégez-la en installant les vis et le support anti-bascule fournis avec la cuisinière. Ils sont situés dans un sac de plastique dans le four. Si vous n'installez pas ce support anti-bascule, la cuisinière risque de basculer si un poids excessif est placé sur une porte ouverte ou si un enfant y grimpe. Les renversements de liquides chauds ou la cuisinière peuvent provoquer de sérieuses blessures.

Suivez les instructions ci-dessous pour installer le support anti-bascule.

Si vous déplacez la cuisinière pour l'installer à un autre endroit, vous devez également déplacer le support anti-bascule pour les installer avec la cuisinière.

Outils Requis :

Tourne écrou de 5 /16" (0,79 cm) ou tournevis à tête carrée

Clé à molette

Perceuse électrique

Foret de 3/16" (0,5 cm) de diamètre

Foret de maçonnerie de 3/16" (0,5 cm) diamètre (si l'installation se fait dans du béton)

Le support anti-bascule se fixe au plancher, à l'arrière au centre de la cuisinière, pour retenir la patte arrière centrale. En le fixant au plancher, assurez-vous que les vis ne pénètrent pas dans la plomberie ou le

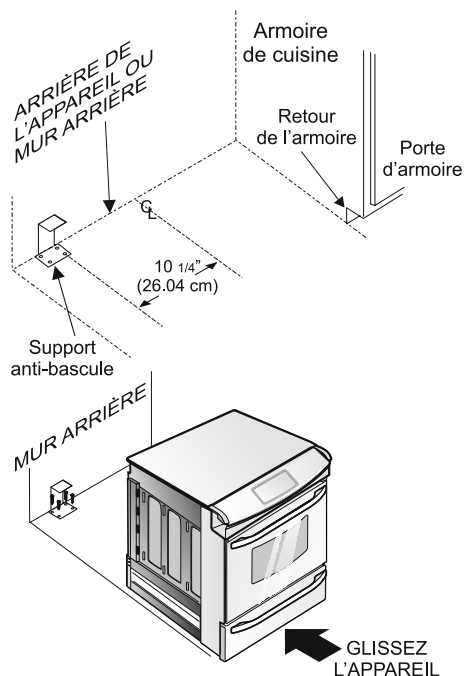


Figure 11

câblage électrique. Les vis fournies fonctionneront aussi bien dans du bois que dans du béton.

1. Dessinez une ligne au sol (à l'avant de l'ouverture) en ligne avec le devant des armoires (et non en ligne avec le retour d'armoire).
2. Dépliez le gabarit de papier et placez-le à plat sur le plancher, l'avant et les extrémités des côtés exactement sur la ligne préalablement tracée (utilisez le diagramme ci-dessous pour localiser le support anti-bascule si le gabarit de papier n'est pas disponible (Figure 11)).
3. Tracez sur le plancher l'emplacement des 4 trous de montage indiqués sur le gabarit. Pour faciliter l'installation, des trous pilotes d'un 1/2" (1,3 cm) de profondeur et 3/16" (0,5 cm) de diamètre peuvent être percés dans le plancher.
4. Enlevez le gabarit et placez le support anti-bascule sur le plancher. Alignez les trous dans le support anti-bascule avec les trous tracés sur le plancher et fixez avec les 4 vis fournies. Le support anti-bascule doit être fixé sur un plancher solide (Figure 12). Si vous les fixez à un plancher en béton, percez d'abord des trous pilotes de 3/16" (0,5 cm) de diamètre à l'aide d'un foret à maçonnerie.
5. Assurez-vous que les vis de nivellement ainsi que les dispositifs de nivellement sont à la position la plus haute.
6. Remplacez la cuisinière en la faisant glisser, en vous assurant que la patte centrale est bien agrippée au support anti-bascule (Figure 12). Abaissez l'appareil en ajustant les vis et les dispositifs de nivellement jusqu'à ce que le dessous de la surface vitrifiée touche à peine le dessus du comptoir. Référez-vous à la section Mise à niveau de la cuisinière.
7. Après l'installation, vérifiez que la cuisinière est bien agrippée au support anti-bascule en agrippant le dessus de l'extrémité arrière de la cuisinière et essayant soigneusement de l'incliner vers l'avant pour vous assurer que la cuisinière est correctement ancrée.

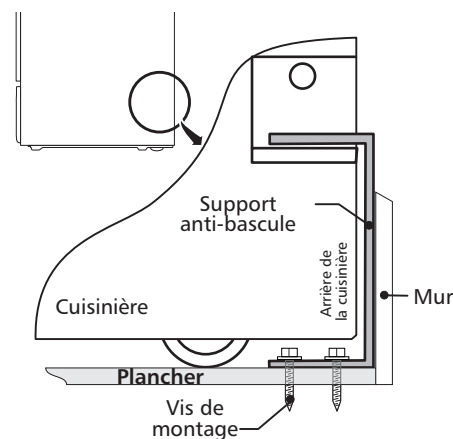


Figure 12

INSTRUCTIONS D'INSTALLATION POUR LA CUISINIÈRE 30" ENCASTRABLE

11.2 Modèles possédant des vis de nivellement

⚠ AVERTISSEMENT La cuisinière doit être fixée au plancher pour éviter qu'elle ne bascule, en installant un support anti-bascule à l'aide des vis fournies avec la cuisinière. Si le support anti-bascule n'est pas installé, la cuisinière peut basculer lorsqu'un poids excessif est exercé sur la porte ouverte ou qu'un enfant monte dessus. Des blessures graves peuvent s'ensuivre provenant de la cuisinière elle-même ou du renversement de liquides chauds.

Si la cuisinière doit être déplacée, le support anti-bascule doit être également déplacé.

Les directives fournies sont prévues pour la fixation dans un plancher de bois ou de béton. Lors de la fixation, assurez-vous que les vis ne pénètrent pas dans les accessoires de plomberie ou le câblage électrique.

A. Positionnez le support à l'aide du gabarit. -

Positionnez le gabarit symétriquement au centre de l'emplacement final de la cuisinière. Marquez au sol la position des vis du support tel que montré sur ce gabarit (le support peut être installé à droite ou à gauche).



Figure 13

B. Percez des avant-trous et fixez le support -

Repérez le centre des trous indiqués et percez des avant-trous de 1/8". Si le support doit être fixé au mur, percez un avant-trou dans un angle de 20°. Si le support doit être fixé sur un plancher en béton ou en céramique, percez un avant-trou de 5/32" x 1-3/4" de profondeur. Les vis fournies peuvent être utilisées dans le bois comme dans le béton. Utilisez un tourne-écrou de 5/16" pour fixer le support.

FIXER LE SUPPORT (MONTAGE AU MUR OU AU PLANCHER)

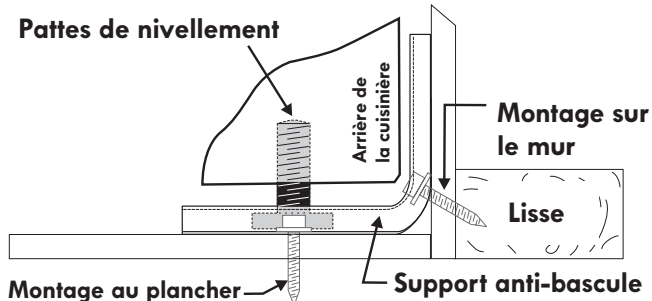


Figure 14

C. Mise à niveau et positionnement de la cuisinière.

Glissez la cuisinière à son emplacement final. Insérez la patte de nivellement de la cuisinière dans le support. Assurez-vous que la patte de la cuisinière est bien insérée dans le support en vérifiant visuellement. Placez un niveau à bulle sur l'une des grilles de l'appareil pour vérifier s'il est de niveau. S'il est nécessaire, ajustez les pattes de nivellement jusqu'à ce que l'appareil soit de niveau.

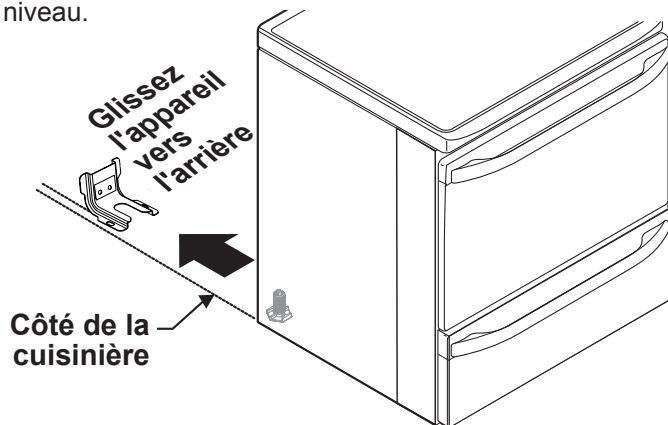


Figure 15

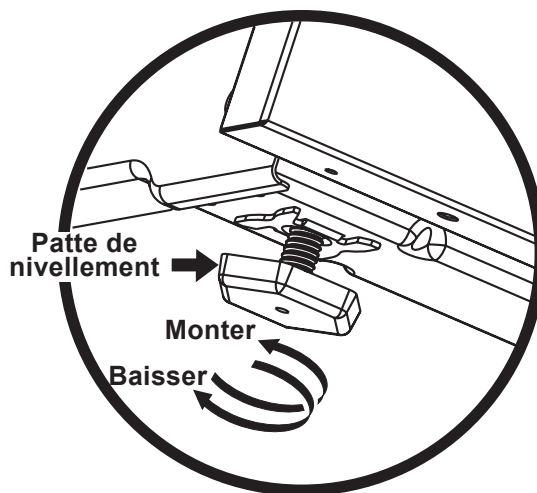


Figure 16

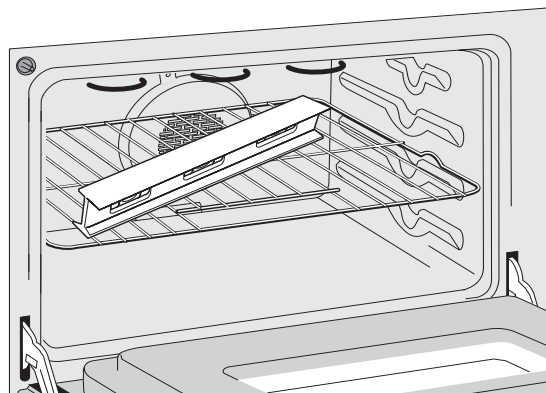


Figure 17

NOTES