

FULGOR

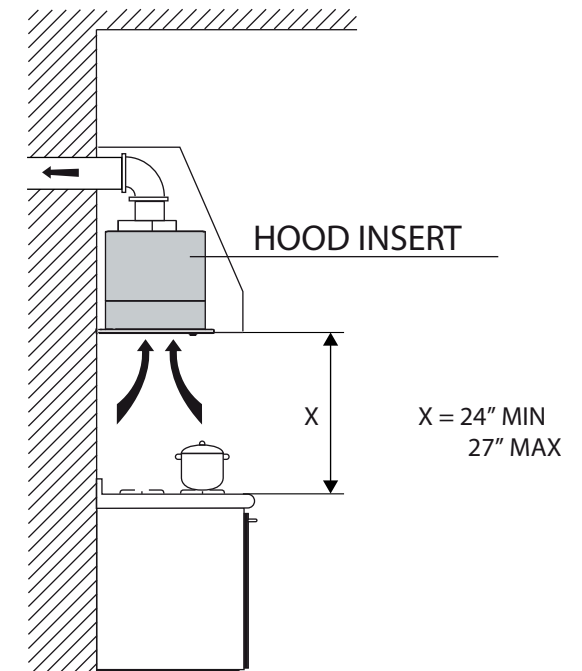
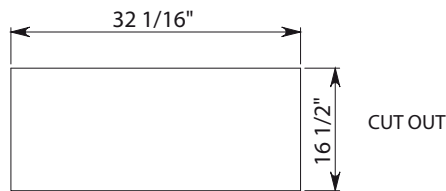
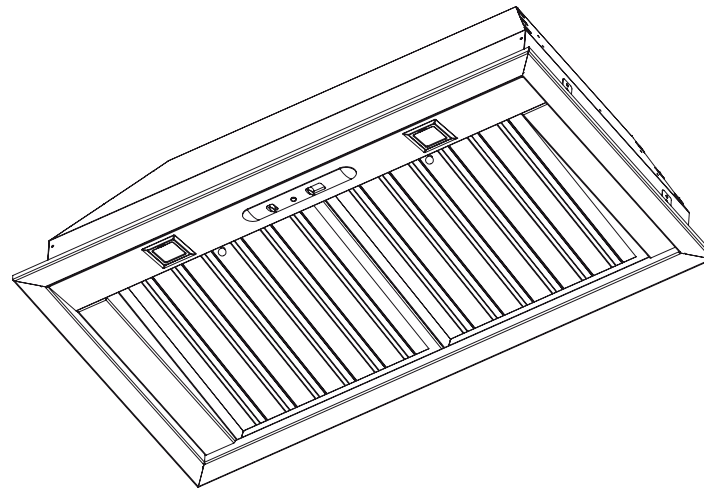
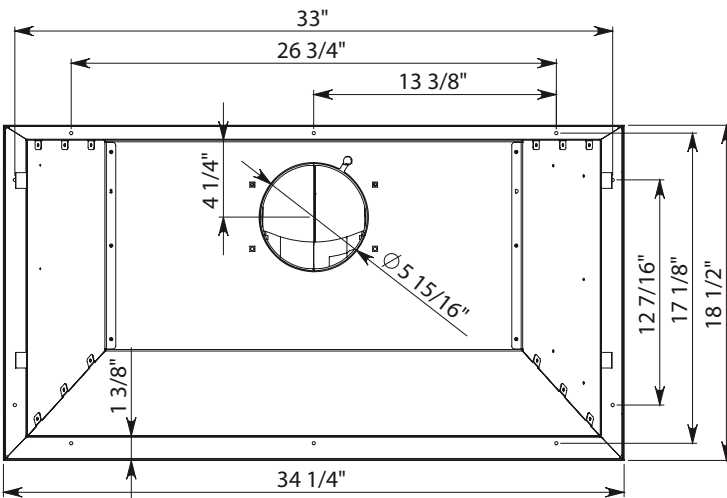
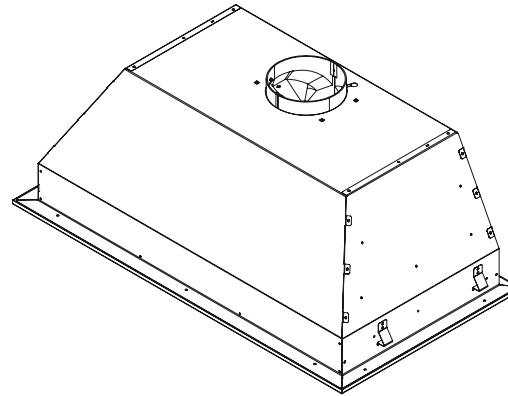
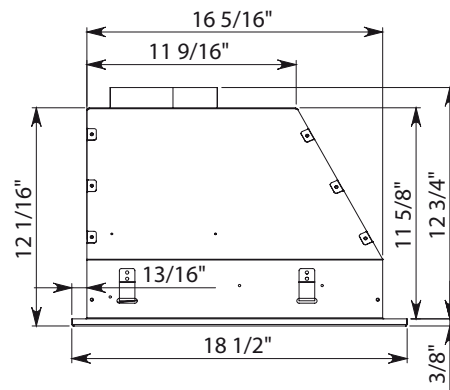
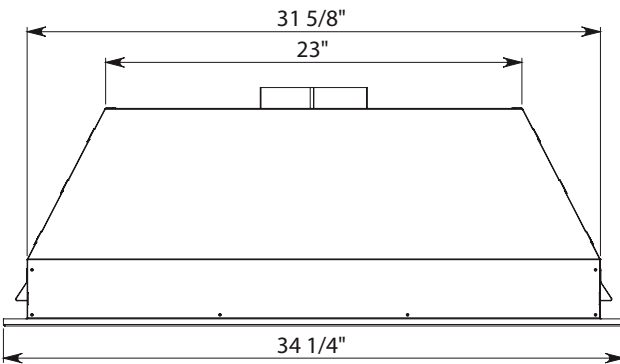
MILANO

Hoods Insert 600 SERIES

Weight & Dimensions

PACKAGING DIMENSION	34"	
	cm	inches
WIDTH	99,5 cm	39 1/4"
DEPTH	59,5 cm	23 1/2"
HEIGHT	47 cm	18 1/2"

WEIGHT	34"	
	lb (Kg)	
GROSS WEIGHT	50,7 (23)	
NET WEIGHT	44,1 (20)	



FULGOR

MILANO

600 Series 36" Insert Hood

F6BP34S1

BAR CODE (EAN 13)

8019801016075

Series	600
Type	Insert
Size	34"
Colour	stainless steel
PERFORMANCES	
OUTPUT (CFM)	600
OUTPUT (m3/h)	1000
NOISE	72
MOTOR & CONTROLS	
CONTROL	4 speed mechanical control
VENTING TYPE	Ducted and recirculating
FEATURES	
FILTER	Pro baffle
LIGHTING	2 x1,2 w Led
DUCT SPECIFICATION	
DOCUMENTATION	
APPROVALS	cCSAus
Dimensions/Weight	
Overall dim - width	34 1/4" - 87 cm
Overall dim - height	13 1/8"- 33 cm
Overall dim - depth	18 1/2" - 47 cm
Cut out (wxd)	32 1/16" x 16 1/2"
Gross (Net) weight (kg)	23 (20)
Power / Ratings (115 V, 60 Hz)	
KW rating	430W
Power cord + Plug	yes
INSTRUCTIONS FOR USE	
Use & Care Manual	EN, FR, SP
Installation Manual	EN, FR, SP