

# EWS52SS1

Wine Cellar| SINGLE DOOR DUAL ZONE



EPC  
TECHNOLOGY



QUIET  
OPERA-



ECO - MODE



DOOR  
OPEN



CON-  
CEALED



HIGH  
EFFICIENCY

ELICA'S EXCLUSIVE  
PLUS FEATURES

RISERVA - EWS52SS1 with dual temperature zones is designed to store a variety of quality wines and preserve them under optimal conditions. As the global ventilation leader, Elica understands in depth, the importance of

maintaining the right temperature, humidity, light and low vibration to ensure the right environment for safe preservation and aging. RISERVA natural beechwood shelves are full extension for easy and safe access to each bottle.

## STORAGE CAPACITY

COOLING ZONE 1 (White Wines) -  
Upper Rack MAX CAPACITY: 8 BOTTLES  
OF WINE (25 oz)

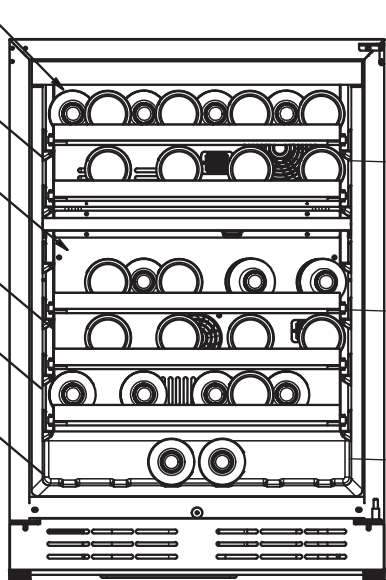
COOLING ZONE 1 (White Wines) -  
Bottom Rack MAX CAPACITY: 8 BOTTLES  
OF WINE (25 oz)

COOLING ZONE 2 (Red Wines) -  
Upper Rack MAX CAPACITY: 14 BOTTLES  
OF WINE (25 oz)

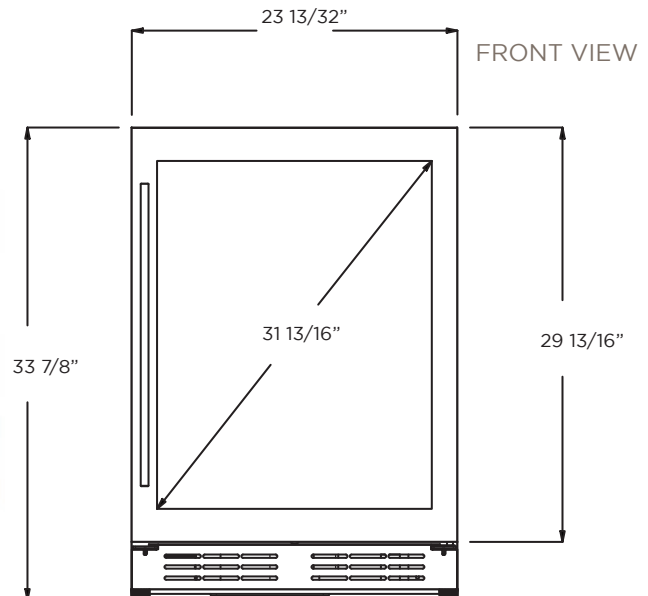
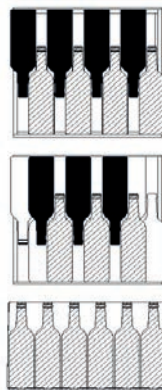
COOLING ZONE 2 (Red Wines) -  
Middle Rack MAX CAPACITY: 8 BOTTLES  
OF WINE (25 oz)

COOLING ZONE 2 (Red Wines) -  
Bottom Rack MAX CAPACITY: 8 BOTTLES  
OF WINE (25 oz)

COOLING ZONE 2 (Red Wines) -  
Bottom Part MAX CAPACITY: 6 BOTTLES  
OF WINE (25 oz)



TOTAL MAX CAPACITY: 52 BOTTLES OF WINE (25 oz)  
\*Do not exceed Max Capacity, avoid product damage  
and losing warranty validation



# EWS52SS1

Wine Cellar| SINGLE DOOR DUAL ZONE



PRODUCT DESCRIPTION <b>EWS52SS1</b>		DOOR	
Width	24"	Door Handle	Tubular
Dimensions	23 13/32" W x 33 13/16" H x 23 5/8" D	Door Glass	Tinted Dual Pane, Low-e Argon-filled
Weight	128 lbs	Reversible Door	Yes
Installation Type	Built-in and Free Standing	<b>ELECTRICAL SPECIFICATIONS</b>	
Refrigerant Type	R600a	Compressor Brand	Embraco
Volume	4.8 cu ft (135L)	Min. Circuit Required	15A
Sound Level	39 dBA	AC Power	110-120V/60HZ
Door Finish	304 Stainless Steel + Glass	Amperage	0.95 A
Cabinet Finish	Black	Plug Type	B
Interior Finish	Black	<b>OTHERS</b>	
Hinge Design	Concealed	Superior Full Extension Racks	
Lighting	3 Level White LED	Premium Beachwood Wine Racks	
Controls	Capacitive Touch with Display with white numbers	White LED Lights with 3 level KELVIN shade adjustment	
		Anti Vibration Technology	
<b>COOLING ZONE 1 - WHITE WINES</b>		Double Panel Glass Door, UV coated	
Total Capacity	16 Bottles of Wine (25 oz)	Sabbath Mode	
Temperature Range	40 to 50°F	Stylish look with tubular handle	
Shelving	2 Full Extension Racks of Wood with Metal Front Trim	<b>KITS</b>	
<b>COOLING ZONE 2 - RED WINES</b>		PRO Handle	KIT0175505
Total Capacity	36 Bottles of Wine (25 oz)	<b>WARRANTY</b>	
Temperature Range	50 to 64° F	2+1 Year Parts and In-Home Labor Warranty. Third year awarded after product registration on <a href="http://www.elica.com">www.elica.com</a>	
Shelving	3 Full Extension Racks of Wood with Metal Front Trim		

## LINE DRAWING

