

Vent-A-Hood

INSTALLATION INSTRUCTIONS

EUROLINE WALL MOUNT RANGE HOOD

WARNING - TO REDUCE THE RISK OF FIRE, ELECTRIC SHOCK, OR INJURY TO PERSONS, OBSERVE THE FOLLOWING:

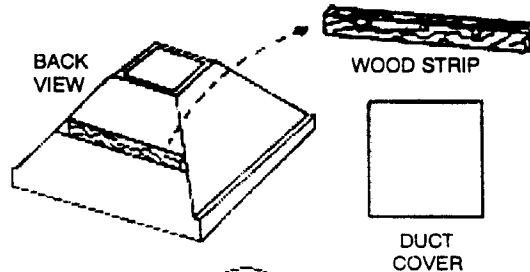
- A. Installation Work and Electrical Wiring Must Be Done By Qualified Person(s) In Accordance With All Applicable Codes And Standards, Including Fire-Rated Construction.
- B. When cutting or drilling into wall or ceiling, do not damage electrical wiring and other hidden utilities.
- C. Ducted fans must always be vented to the outdoors.
- D. Sufficient air is needed for proper combustion and exhausting of gases through the flue (chimney) of fuel burning equipment to prevent back drafting. Follow the heating equipment manufacturer's guideline and safety standards such as those published by the National Fire Protection Association (NFPA), and the American Society for Heating, Refrigeration and Air Conditioning Engineers (ASHRAE), and local code authorities.

WARNING - TO REDUCE THE RISK OF FIRE, USE ONLY METAL DUCTWORK.

Read and Save These Instructions All Hoods Should Be Installed By A Qualified Installer

Step 1 . . .

Remove hood and duct cover from wood pallet and set on a protected surface.

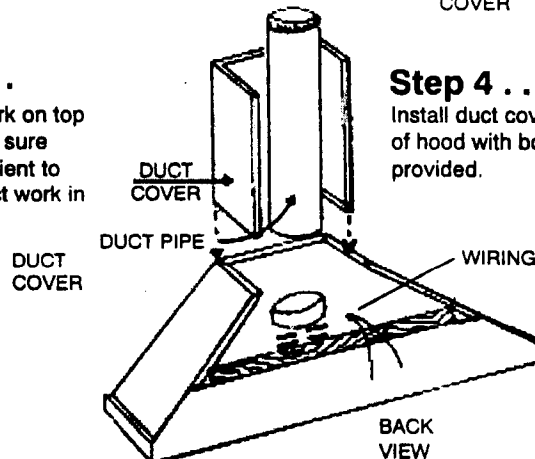


Step 2 . . .

Remove wood strip from rear of hood and secure to the wall at proper mounting height. Bottom of hood should be 24" to 27" from cooking surface.

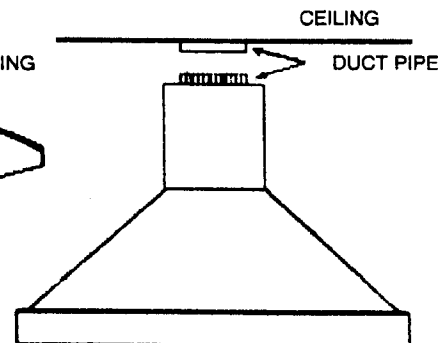
Step 3 . . .

Install duct work on top of hood. Make sure length is sufficient to connect to duct work in ceiling.



Step 4 . . .

Install duct cover to top of hood with bolts provided.



Step 5 . . .

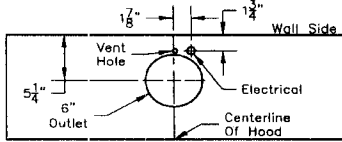
Lift fully assembled unit to wall and hang hood on wood strip. Secure hood to wall with proper fasteners. You may have to drill new mounting holes in back of hood to line up with studs. The "crimped" end of the duct pipe should be facing towards ceiling as you lift hood into position. The back of the duct cover should lay flat against the wall and does not generally need to be secured at the top.

LIFT HOOD, DUCT PIPE, AND DUCT COVER UP TO MOUNTING LOCATION AS ONE UNIT

Turn Page For More Instructions

Step 6. — Connect ducting.

A. Model B100: 6" duct or the equivalent must be installed throughout.

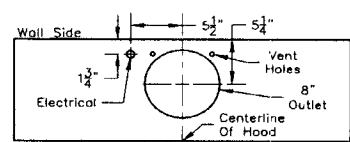


Top View—B100 Single Blower

Blower	Minimum Round Duct Size	Square Inches
B100 Single 300 CFM	6" (or equivalent)	28
B200 Dual 600 CFM	8" (or equivalent)	50

Do not restrict ducting anywhere including roof jacks or wall louvers. Do not turn sharp turns with ducting. Make gradual turns or 45° angles.

B. Model B200: 8" duct or the equivalent must be installed throughout



Top View—B200 Dual Blower

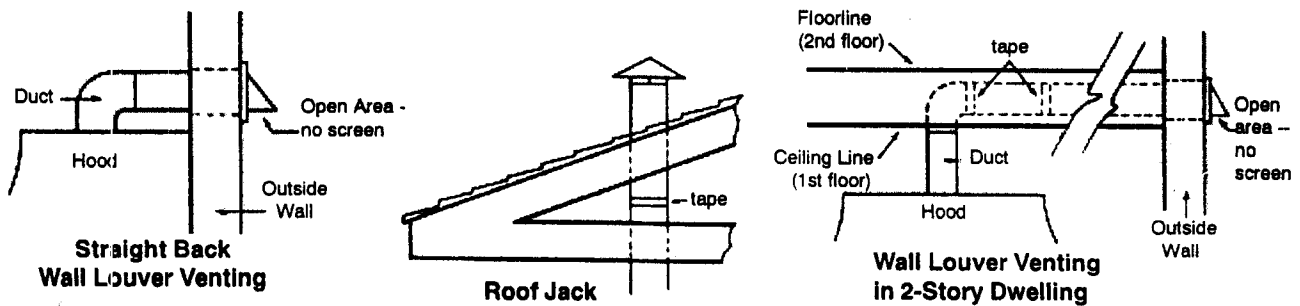
Step 7. — Connect electrical.

Follow label instructions and remove motor plate. Unplug motor and remove, being careful to not damage blower wheel. Connect electrical, black to black, white to white and ground to lug provided. Hoods with multiple blower units require separate electrical connections. Replace motor(s) and don't forget to plug them back in. Replace blower front and be sure it is secured properly and blower wheel(s) turn freely. Model B100, 1.7 Amps. Model B200, 3.4 Amps. Hoods with heat lamps and/or halogen lamps, 8.0 Amps.

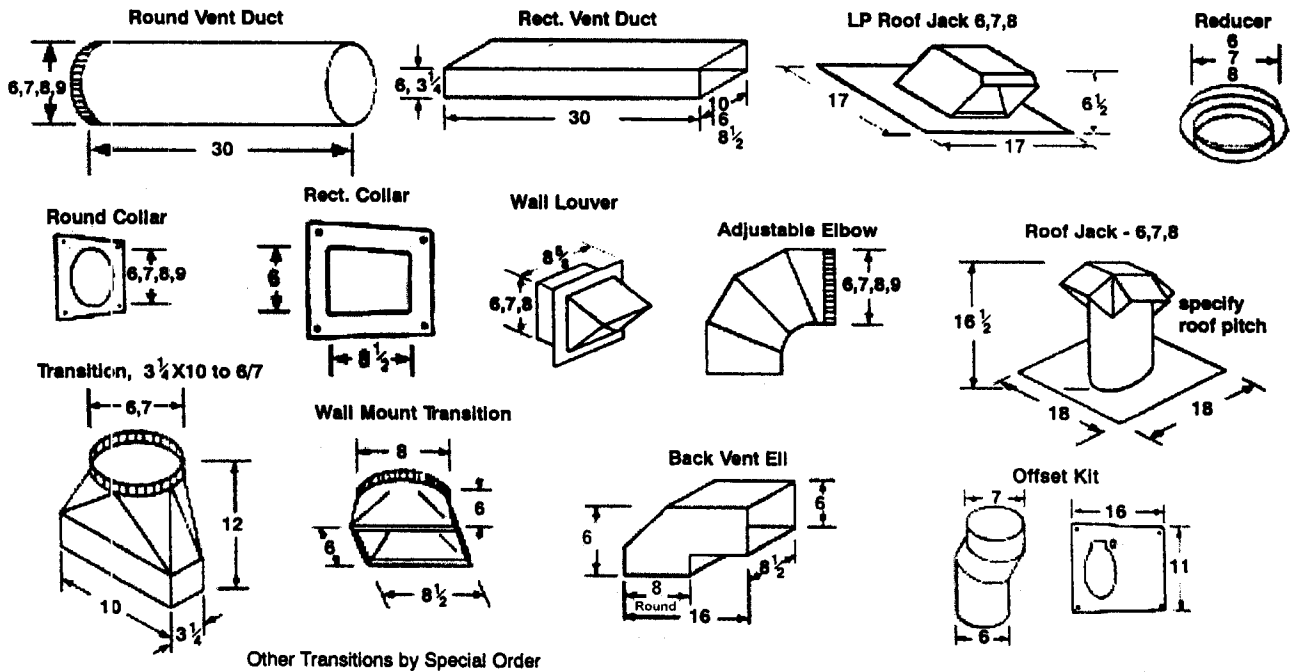
Observe All Governing Codes and Ordinances

Caution: to reduce the risk of fire or electrical shock, do not use this fan with any solid state speed control device.

Methods of Ducting Your Vent-A-Hood



Venting Materials Available from Vent-A-Hood



Other Transitions by Special Order