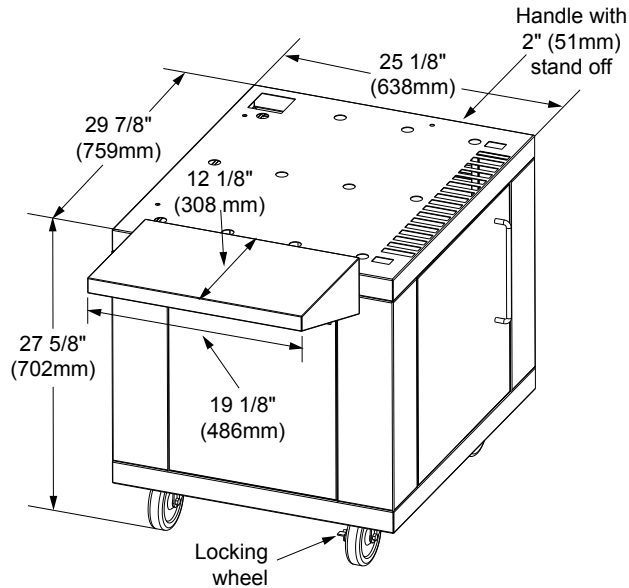
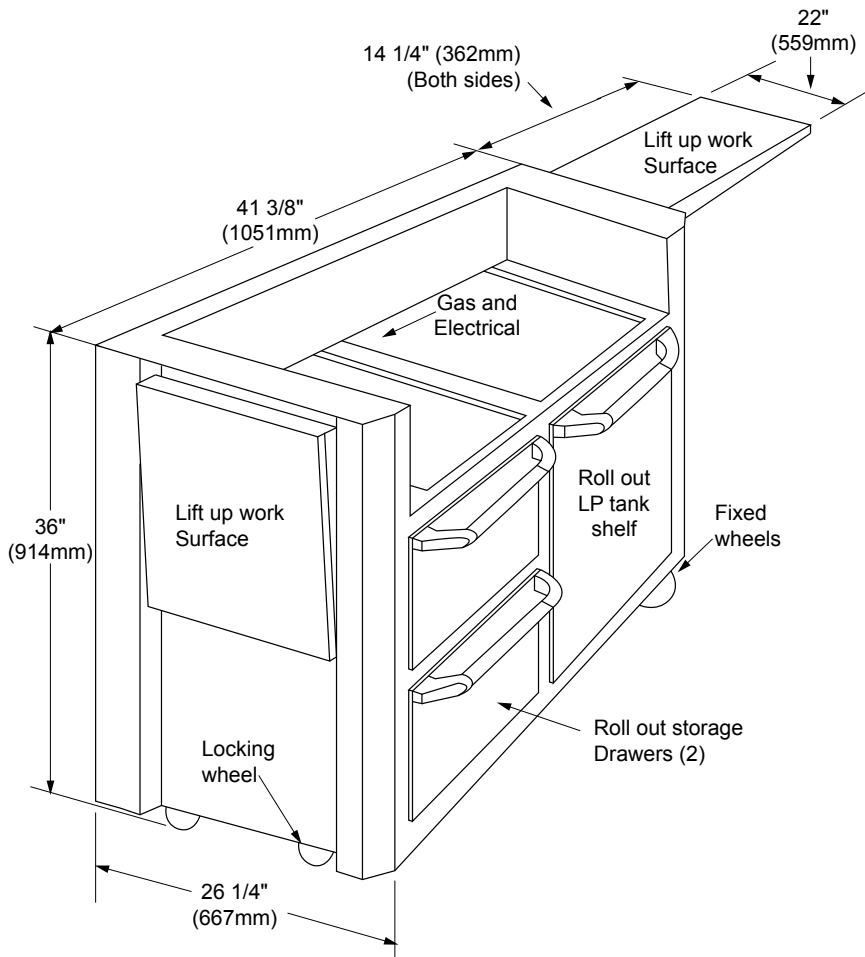


# OGC30, OGC36, OGC52

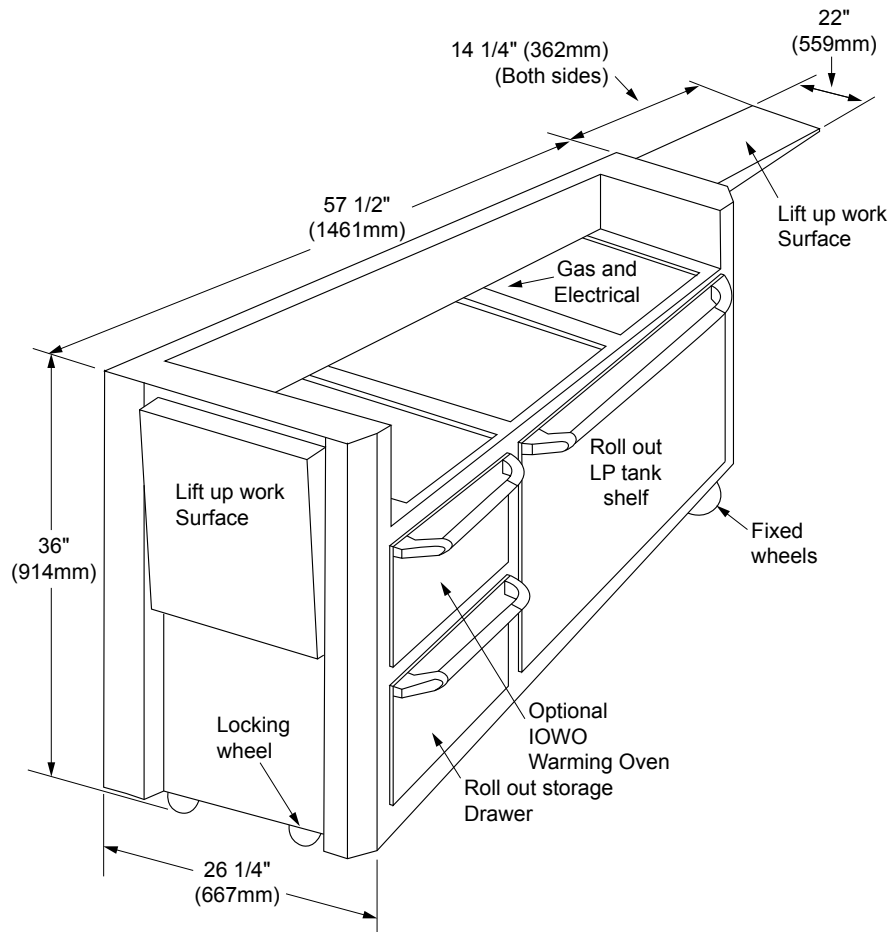


**OGC30 OVERALL DIMENSIONS**



**OGC36 OVERALL DIMENSIONS**

# OGC30, OGC36, OGC52



**OGC52 OVERALL DIMENSIONS**

Model No.	Approximate Shipping Weight
OGC30	72 lbs.
OGC36	242 lbs.
OGC52	314 lbs.



**NOTES:**

1. The OGC30 requires assembly of the side shelf.
2. The OGC36 and 52 ship fully assembled ready to install the Epicure Outdoor Grill.
3. See Epicure Outdoor Grill Planning Guide pages for dimensions and mounting locations.
4. All utilities are located at the right rear back of the cart.