



SINGLE ZONE MEGA WALL MOUNTED ENGINEERING MANUAL

3/4, 1, 1-1/2, and 2 Tons

Mega Inverter Models:

LS090HEV1
LS120HEV1
LS180HEV1
LS240HEV1

3/4 and 1 Tons

Mega 115V Models:

LS090HXV
LS120HXV



PROPRIETARY DATA NOTICE

**This document, as well as all reports, illustrations, data, information, and other materials are the property of LG Electronics U.S.A., Inc., and are disclosed by LG Electronics U.S.A., Inc. only in confidence.
This document is for design purposes only.**

A summary list of safety precautions is on page 4.

For more technical materials such as submittals, catalogs, installation, owner's, and service manuals, visit www.lghvac.com.

About LG Electronics

LG Electronics is a global leader and technology innovator in consumer electronics, mobile communications, and home appliances. LG Electronics comprises five business units—Home Entertainment, Mobile Communications, Air Conditioning, Business Solutions, and Home Appliance. LG is one of the world's leading producers of flat panel televisions, audio and video products, mobile handsets, air conditioners, and washing machines. LG's commercial air conditioning business unit was established in 1968 and has built its lineup of residential and commercial products to include VRF, Multi F, duct-free split systems, packaged terminal air conditioners (PTACs), and room air conditioners. In 2011, the air conditioning and energy solutions business unit grew to include LED lighting and solar products. For more information, visit www.lg.com.

Duct-Free Split Systems

LG HVAC systems offer a range of solutions that are cost efficient, quiet and attractive. Duct-Free Split systems are "split" into indoor and outdoor units, and provide a smart alternative to both central HVAC and window-mounted air conditioners. These inverter heat pump systems are available in a variety of configurations to suit different cooling and heating situations. Installation by a qualified HVAC contractor is safe and easy – little to no duct work or sheet metal is required.

Inverter Systems

LG Single Zone Mega Inverter and Mega 115V Wall Mounted air-source systems offer the opportunity to minimize ductwork in the same configuration. The system offers zoning without the need for zone damper systems. The LG Single Zone Mega Inverter Wall Mount system's advanced controls provide exceptional building dehumidification and temperature control, and can rapidly adapt system operating parameters to the ever changing building load. The LG Single Zone Mega Inverter Wall Mounted system is easy to design, install, and maintain. The modular design allows occupants to control their environmental condition, providing individualized control of the set-point temperature and allowing occupants to condition only the occupied zones.

Quality Commitment

LG is committed to the success of Duct-Free Split projects. We provide industry leading technical support during installation and commissioning. LG offers a variety of classes designed for installers and servicers to ensure that every system installation is completed successfully.





Classes are conducted at LG's training centers and in field locations at various times throughout the year and upon special request.



TABLE OF CONTENTS

INTRODUCTION	5	Accessories	37
ARCHITECTURAL APPEAL	6	PERFORMANCE DATA.....	39
PRODUCT FEATURES AND BENEFITS	8	Cooling Capacity	40
UNIT NOMENCLATURE.....	9	Heating Capacity	43
General Data	10-12	Equipment Selection Procedure	49
Electrical Data.....	13	LSU090~240HEV1.....	50
Functions, Controls, and Options.....	14	LSU090HXV/LS120HXV	51
Outdoor Unit Dimensions	15	Building Ventilation Design Guide.....	52-53
LSU090HEV1, LSU120HEV1	15	Placement Considerations	54-56
LSU180HEV1	16	REFRIGERANT PIPING DESIGN & LAYOUT	
LSU240HEV1	17	BEST PRACTICES	57
LSU090HXV1, LSU120HXV1	18	Refrigerant Piping Design	57
Indoor Unit Dimensions	19	Design Guideline Summary.....	58
LSN090HEV1	19	Selecting Field-Supplied Copper Tubing	58
LSN120HEV1	20	Installation & Layout Best Practices	60
LSN180HEV1, LSN240HEV1	21	Refrigerant Piping System Layout.....	60
LSN090HXV, LSN120HXV	22	Piping Connection	62
ACOUSTIC DATA	23	ELECTRICAL CONNECTIONS	64
Refrigerant Flow Diagrams.....	25	Mechanical Specifications.....	66
LSN/LSU90-180HEV1	25	Acronyms.....	67
LSN180HEV/LSU180HEV.....	26		
LSN240HEV/LSU240HEV.....	27		
LSN090HXV/LSU090HXV.....	28		
Wiring Diagram	29		
LSN090HEV1	29		
LSN120HEV1	30		
LSN180HEV1, LSN240HEV1	31		
LSN090-120HXV	32		
LSU090HEV1, LSU120HEV1.....	33		
LSU180HEV1	34		
LSU240HEV1	35		
LSN090-120HXV	36		

TABLE OF SYMBOLS

 DANGER	<i>This symbol indicates an imminently hazardous situation which, if not avoided, will result in death or serious injury.</i>
 WARNING	<i>This symbol indicates a potentially hazardous situation which, if not avoided, could result in death or serious injury.</i>
 CAUTION	<i>This symbol indicates a potentially hazardous situation which, if not avoided, may result in minor or moderate injury.</i>
Note	<i>This symbol indicates situations that may result in equipment or property damage accidents only.</i>
	<i>This symbol indicates an action should not be completed.</i>

INTRODUCTION

[“Architectural Appeal” on page 6](#)

ARCHITECTURAL APPEAL

Convergence of Technological Innovation with Flexibility and Style

Benefits of Single Zone Mega Inverter Wall Mounted

- Inverter technology
- Mega Inverter (HEV1) is available in 9,000, 12,000, 18,000, and 24,000 Btu/h capacities; Mega 115V (HXV) is available in 9,000 and 12,000 Btu/h capacities
- All-season use - heat pump models for both cooling and heating capabilities
- Operating ranges for Mega Inverter (HEV1) and Mega 115V (HXV) outdoor units is 14°F to 118°F (DB) for cooling; 14°F to 65°F (WB) for heating
- Operating range for all indoor units of 53°F to 75°F (WB) for cooling; 60°F to 86°F (DB) for heating
- Quiet operation inside and outside
- Duct-free split system

Single Zone Mega Wall Mounted

Choosing an LG Single-Zone Mega Wall-Mounted product provides a system designer an edge to engineer a system with individual control, and design flexibility with advanced controls.

These single-zone systems are available in a nominal capacity range of 3/4 to 2 tons. These are best suited for applications with zones that require heating or cooling, such as residential, and small business office buildings. Single-Zone Mega Wall-Mounted outdoor and indoor units are available in 208–230V/60Hz/1Ph (HEV1) and 115V/60Hz/1Ph (HXV).

Adaptable and Flexible

Single-zone wall-mounted duct-free split systems allow cooling or heating for the entire residence or just a single room without the need for invasive ductwork. There is minimal renovation needed.

Long refrigerant piping lengths allow for extra design flexibility in indoor unit installation.

These units may be used for a number of residential or commercial environments such as:

- Older homes
- New home construction
- Office buildings
- Restaurants
- Hospitals / Medical facilities
- Schools
- Nursing homes
- Retail establishments
- Houses of worship



Inverter Technology

Inverter variable-speed duct-free split systems are measurably quieter and consume less energy than conventional air conditioners. The inverter compressor ramps up or down to match the required room capacity and maintain the comfort level. When the selected temperature is reached, the inverter compressor operates at low speed to maintain that comfort level, thereby using less energy.



PRODUCT DATA

“Product Features and Benefits” on page 8

“Unit Nomenclature” on page 9

“General Data” on page 10

“Electrical Data” on page 13

“Outdoor Unit Dimensions” on page 15

“Indoor Unit Dimensions” on page 19

“Acoustic Data” on page 23

“Refrigerant Flow Diagrams” on page 25

“Wiring Diagrams—Indoor Units” on page 29

“Wiring Diagrams—Outdoor Units” on page 33

**“Accessories - LG Monitoring View Diagnostic Software”
on page 37**

PRODUCT FEATURES AND BENEFITS

Single Zone Mega Wall Mounted

Single zone systems are equipped with inverter components that offer superior load matching and long piping installation. These products work for optimizing power consumption in residential and small office buildings. Utilizing multiple indoor wall mounted units each with custom temperature controls allow for precise temperature settings in each zone of the building. Single zone systems allow flexibility in interior design and complement any decor.

Low Sound Levels

When outdoor units run at full load, they have a quiet operating sound level. To promote a quiet, comfortable environment, the LG single zone system indoor units operate at sound levels as low as 23 dB(A) (HXV units; 19dB(A) in Sleep mode) and outdoor units as low as 47 dB(A) at full load. All rotating components are soft-started by the controller using digitally controlled inverters, which reduce undesirable noise caused by fans and compressors cycling on and off.

Comfort Control at Its Best

Unlike traditional air conditioning control systems, which use thermostatic controls to maintain room temperatures, LG single zone inverter controls continuously vary the indoor unit fan speed and refrigerant flow.

LG single zone one-to-one systems continuously measure the room temperatures and adjust system operations accordingly to maintain set temperature.

The outdoor unit responds by varying the compressor speed and outdoor fan motors as needed to maintain system operating pressure. As a result, single zone systems deliver precise space temperature control.

Inverter Driven

The single rotary (9k/12k Btu/h systems) and twin-rotary (18k/24k Btu/h systems) compressor is optimized to maximize compressor efficiency, which reduces power consumption and monthly utility bills. This latest inverter technology allows single zone system outdoor units to vary the compressor motor shaft speed to deliver an appropriate amount of cooling to the indoor unit. Precise

refrigerant volume delivery translates into long periods with coil surface temperatures below dew point and minimizes compressor and fan component run time, which may lead to lower utility usage.

Simplified Installation

Cooling and heating applications that use single zone systems simplify and reduce the mechanical and control system design time. The designer no longer has to be concerned with interconnecting chilled and condenser water piping, air-distribution duct systems, matching and selecting chillers, towers, pumps, coils, fans, air handlers, or Variable Air Volume (VAV) boxes.

Operating Range

Single zone systems have a nominal capacity range of 3/4 to 2 tons (depending on outdoor/indoor units).

Outdoor unit operating ranges for both Mega Inverter (HEV1) and Mega 115V (HXV) single zone systems:

Cooling: 14°F DB to 118°F DB

Heating: 14°F WB to 65°F WB

Compact Size

Single zone outdoor units have the following footprints.

LSU090HEV1, LSU120HEV1
(WxHxD (in.)): 28-1/4 x 19-1/2 x 9-1/16

LSU180HEV1
(WxHxD (in.)): 30-5/16 x 21-1/2 x 11-5/16

LSU240HEV1
(WxHxD (in.)): 34-1/4 x 25-13/16 x 12-19/32

LSU090HXV, LSU120HXV
(WxHxD (in.)): 28-1/4 x 19-1/32 x 9-1/16

Fin Design with Gold-Fin™ Coating

All single zone outdoor units are provided with large surface coils made of copper tubes with louvered aluminum fins designed to maximize unit operating efficiency over a wide range of ambient conditions.

Standard from the factory, every single zone outdoor unit coil fin surface is coated with LG's exclusive GoldFin™ anti-corrosive coating designed to prevent natural surface corrosion of the aluminum fins. This main-



tains heat transfer properties of the coil for an extended time.

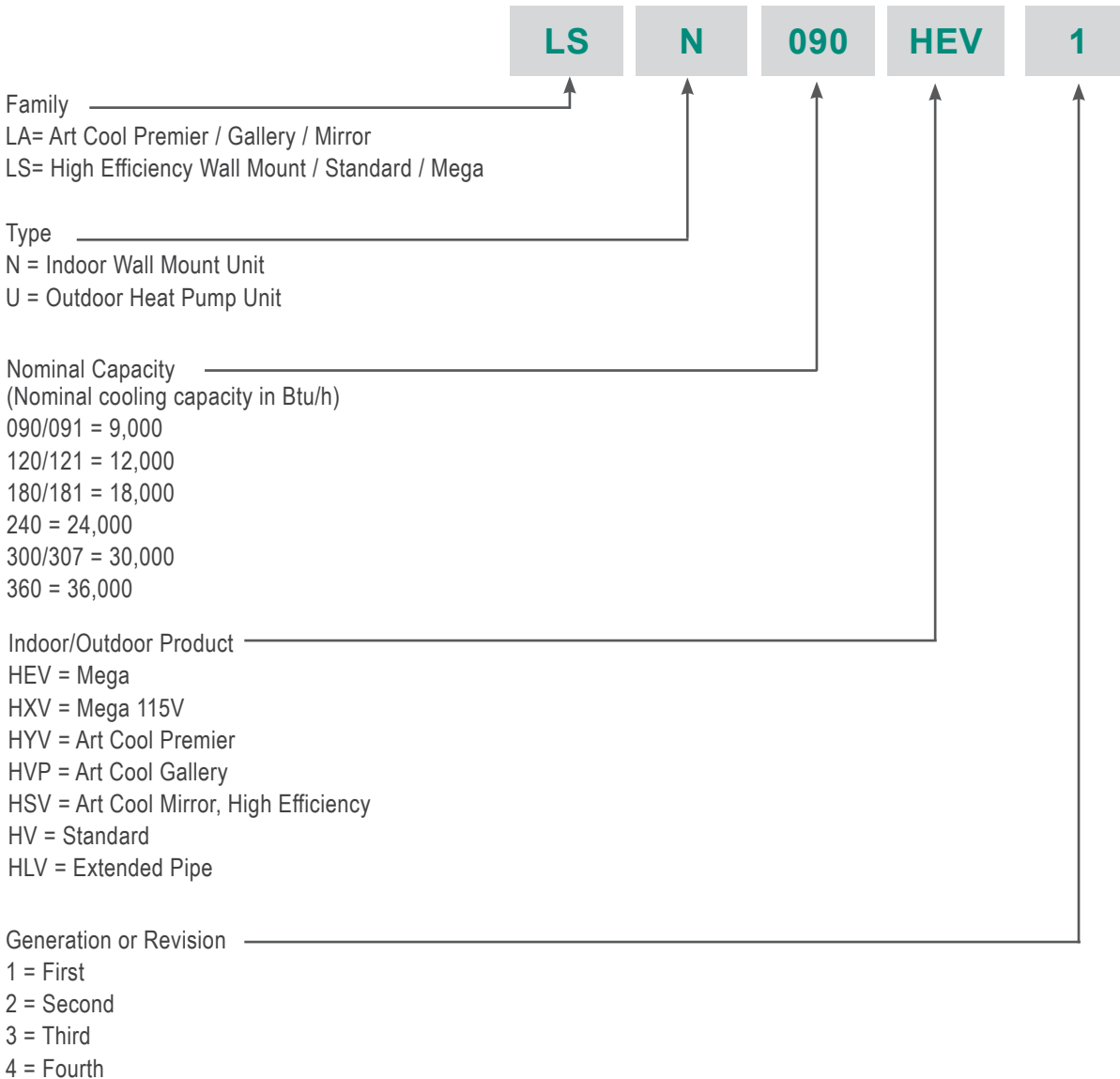
A hydrophilic coating is applied to the outdoor unit coil fin surface over the GoldFin coating. This coating enhances the development of heavier water droplets gathering on the fin surface. As a result, the droplets roll off the fin surfaces, delaying the point when frost forms on the coil surface during heating operation. This coating also makes it possible to easily clean the outdoor unit coil using a mild soap.

Other Features

- Inverter variable speed compressor
- Jet Cool/Jet Heat
- Dehumidifying mode
- Chaos Wind
- Auto restart
- Auto operation
- Self-cleaning indoor coil
- Condensate sensor connection
- Smaller footprint
- Precision load matching
- Meets AHRI 210/240

UNIT NOMENCLATURE

Single Zone Wall Mount Indoor and Outdoor Units













Product Data

GENERAL DATA

Mega Pairing Table

The following table shows the available outdoor and indoor unit, along with the factory provided controller.

Table 1: Single Zone Mega Inverter and Mega 115V Pairing Table

Outdoor Unit Model	Indoor Unit Model	Controller
<i>Mega Inverter</i>		
LSU090HEV1 LSU120HEV1 	LSN090HEV1 LSN120HEV1 	AKB73835318 
LSU180HEV1 	LSN180HEV1 	AKB73835318 
LSU240HEV1 	LSN240HEV1 	AKB73835318 
<i>Mega 115V</i>		
LSU090HXV LSU120HXV 	LSN090HXV LSN120HXV 	AKB73456121 

GENERAL DATA

Mega Inverter Specifications

Table 2: Single Zone Mega Inverter System Specifications.

System Model Number (IDU/ODU)	LS090HEV1 (LSN090HEV1/ LSU090HEV1)	LS120HEV1 (LSN120HEV1/ LSU120HEV1)	LS180HEV1 (LSN180HEV1/ LSU180HEV1)	LS240HEV1 (LSN240HEV1/ LSU240HEV1)
Cooling Capacity (Min/Rated/Max) (Btu/h)	3,070 ~ 8,500 ~ 9,500	3,070 ~ 12,000 ~ 13,780	3,685 ~ 17,000 ~ 18,493	3,685 ~ 22,000 ~ 24,000
Cooling Power Input ¹ (kW)	0.68	1.14	1.55	2.045
Heating Capacity (Min/Rated/Max) (Btu/h)	3,070 ~ 9,000 ~ 10,500	3,070 ~ 12,000 ~ 13,780	3,685 ~ 19,000 ~ 22,997	3,685 ~ 22,000 ~ 24,226
Heating Power Input ¹ (kW)	0.78	0.98	1.59	1.935
COP	11.54	12.24	11.95	11.37
Max. Heating Capacity (Btu/h) Outdoor 17°F (WB)/Indoor 70°F (DB)	5,570 (62%)	7,620 (63%)	15,580 (82%)	18,040 (82%)
EER	12.5	10.52	10.97	10.76
SEER	19.0	17.0	18.0	17.0
HSPF	9.0	9.2	9.0	9.0
Power Supply (V/Hz/Ø)	208-230/60/1			
Outdoor Unit Operating Range				
Cooling (°F DB)	14 to 118			
Heating (°F WB)	14 to 65			
Indoor Unit Operating Range				
Cooling (°F WB)	53 to 75			
Heating (°F DB)	60 to 86			
Indoor Temperature Setting Range				
Cooling (°F)	64 to 86			
Heating (°F)	60 to 86			
Unit Data				
Refrigerant Type ²	R410A			
Refrigerant Control	EEV			
IDU Sound Pressure ³ dB(A) (H/M/L/Sleep)	39/33/25/19	39/33/25/19	42/40/35/29	45/40/35/29
ODU Sound Pressure ³ dB(A)	47	47	51	53
Unit Weight (lbs)				
IDU (Net/Shipping)	17/20	23/28	28/30	28/32
ODU (Net/Shipping)	62/67	62/67	78/82	95/104
Power/Communication Cable ⁴ (No. x AWG)	4 x 18			
Compressor				
Compressor Type (Qty)	Single Rotary (1)	Single Rotary (1)	Twin Rotary (1)	Twin Rotary (1)
Fan				
IDU Type (Qty)	Cross Flow (1)			
ODU Type (Qty)	Propeller (1)			
Motor/Drive	Brushless Digital Controlled/Direct			
Airflow Rate				
IDU Max/H/M/L (CFM)	318/276/226/177	424/353/272/212	629/512/441/353	689/600/494/388
ODU Max (CFM)	953	953	1,342	1,766
Piping				
Liquid Line (in, OD)	1/4	1/4	1/4	1/4
Vapor Line (in, OD)	3/8	3/8	1/2	5/8
Condensation Line (OD, ID)	27/32, 5/8	27/32, 5/8	27/32, 5/8	27/32, 5/8
Additional Refrigerant Charge (oz/ft)	0.22	0.22	0.33	0.33
Pipe Length ⁵ (Minimum/Maximum)(ft)	9.8/49.2	9.8/49.2	9.8/65.6	9.8/65.6
Piping Length ⁵ (no add'l refrigerant, ft)	24.6	24.6	24.6	24.6
Max Elevation Difference (ft)	22.9	22.9	32.8	32.8

EEV: Electronic Expansion Valve IDU: Indoor Unit ODU: Outdoor Unit

¹Power Input is rated at high speed.

²Take appropriate actions at the end of HVAC equipment life to recover, recycle, reclaim or destroy R410A refrigerant according to applicable regulations (40 CFR Part 82, Subpart F) under section 608 of CAA.

³Sound Pressure levels are tested in an anechoic chamber under ISO Standard 3745.

⁴All power wiring/communication cables are field supplied and are to be minimum 18 AWG, 4-conductor, stranded, shielded and must comply with applicable local and national codes.

⁵Piping lengths are equivalent.

This unit comes with a dry helium charge.

This data is rated 0 ft above sea level with 24.6 of refrigerant line per indoor unit and a 0 ft level difference outdoor and indoor units.

Cooling capacity rating obtained with air entering the indoor unit at 80°F dry bulb (DB) and 67°F wet bulb (WB) and outdoor ambient conditions of 95°F dry bulb (DB) and 75°F wet bulb (WB).

Heating capacity rating obtained with air entering the indoor unit at 70°F dry bulb (DB) and 59°F wet bulb (WB) and outdoor ambient conditions of 47°F dry bulb (DB) and 43°F wet bulb (WB).



GENERAL DATA

Mega 115V Specifications

Table 3: Single Zone Mega 115V System Specifications.

System Model Number (IDU/ODU)	LS090HXV (LSN090HXV/LSU090HXV)	LS120HXV (LSN120HXV/LSU120HXV)
Cooling Capacity (Min/Rated/Max) (Btu/h)	1,023 ~ 8,500 ~ 13,785	1,023 ~ 12,000 ~ 13,785
Cooling Power Input ¹ (kW)	0.71	1.14
Heating Capacity (Min/Rated/Max) (Btu/h)	1,023 ~ 10,900 ~ 22,178	1,023 ~ 13,000 ~ 22,178
Heating Power Input ¹ (kW)	0.88	1.09
COP	3.63	3.50
EER	12.01	10.5
SEER	17.0	17.0
HSPF	9.0	9.0
Power Supply (V/Hz/Ø)	115/60/1	
<i>Outdoor Unit Operating Range</i>		
Cooling (°F DB)	14 to 118	
Heating (°F WB)	14 to 65	
<i>Indoor Unit Operating Range</i>		
Cooling (°F WB)	53 to 75	
Heating (°F DB)	60 to 86	
<i>Indoor Temperature Setting Range</i>		
Cooling (°F)	65 to 86	
Heating (°F)	60 to 86	
<i>Unit Data</i>		
Refrigerant Type ²	R410A	
Refrigerant Control	EEV	
IDU Sound Pressure ³ dB(A) (H/M/L/Sleep)	39/33/23/19	39/33/23/19
ODU Sound Pressure ³ dB(A)	47	47
<i>Unit Weight (lbs)</i>		
IDU (Net/Shipping)	23/26	23/26
ODU (Net/Shipping)	67/79	67/79
Power/Communication Cable ⁴ (No. x AWG)	4 x 18	
<i>Compressor</i>		
Compressor Type (Qty)	Single Rotary (1)	Single Rotary (1)
<i>Fan</i>		
IDU Type (Qty)	Cross Flow (1)	
ODU Type (Qty)	Propeller (1)	
Motor/Drive	Brushless Digitally Controlled/Direct	
<i>Airflow Rate</i>		
IDU Max/H/M/L (CFM)	335/272/212/124	335/272/212/124
ODU Max (CFM)	1,000	1,000
<i>Piping</i>		
Liquid Line (in, OD)	1/4	1/4
Vapor Line (in, OD)	3/8	3/8
Condensation Line (OD, ID)	27/32, 5/8	27/32, 5/8
Additional Refrigerant Charge (oz/ft)	0.22	0.22
Pipe Length ⁵ (Minimum/Maximum)(ft)	6.6 / 49.2	6.6 / 49.2
Piping Length ⁵ (no add'l refrigerant, ft)	24.6	24.6
Max Elevation Difference (ft)	23	23

EEV: Electronic Expansion Valve IDU: Indoor Unit ODU: Outdoor Unit

¹Power Input is rated at high speed.

²Take appropriate actions at the end of HVAC equipment life to recover, recycle, reclaim or destroy R410A refrigerant according to applicable regulations (40 CFR Part 82, Subpart F) under section 608 of CAA.

³Sound Pressure levels are tested in an anechoic chamber under ISO Standard 3745.

⁴All power wiring/communication cables are field supplied and are to be minimum 18 AWG, 4-conductor, stranded, shielded and must comply with applicable local and national codes.

⁵Piping lengths are equivalent.

This unit comes with a dry helium charge.

This data is rated 0 ft above sea level with 24.6 of refrigerant line per indoor unit and a 0 ft level difference outdoor and indoor units.

Cooling capacity rating obtained with air entering the indoor unit at 80°F dry bulb (DB) and 67°F wet bulb (WB) and outdoor ambient conditions of 95°F dry bulb (DB) and 75°F wet bulb (WB). Heating capacity rating obtained with air entering the indoor unit at 70°F dry bulb (DB) and 59°F wet bulb (WB) and outdoor ambient conditions of 47°F dry bulb (DB) and 43°F wet bulb (WB).

ELECTRICAL DATA

Mega Inverter and Mega 115V Outdoor Units

Table 4: 208-230V, 60Hz, 1-Phase Single-Zone Mega Inverter System Electrical Data Table.

Model Number	Nominal Tons	Compressor Qty	Compressor(A) Cool/Heat	Fan Qty	ODU Fan (A)	IDU Fan (A)	MCA(A)	MOP(A)
LS090HEV1	3/4	1	7.0/7.0	1	0.5	0.5	10	15
LS120HEV1	1	1	7.0/7.0	1	0.5	0.5	10	15
LS180HEV1	1-1/2	1	8.81/8.61	1	0.4	0.4	12	20
LS240HEV1	2	1	10.72/10.28	1	0.4	0.4	15	20

Voltage tolerance is $\pm 10\%$.

Maximum allowable voltage unbalance is 2%.

MCA = Minimum Circuit Ampacity.

Maximum Overcurrent Protection (MOP) is calculated as follows: (Largest motor FLA x 2.25) + (Sum of other motor FLA) rounded down to the nearest standard fuse size.

Table 5: 115V, 60Hz, 1-Phase Single Zone Single-Zone Mega 115V System Electrical Data Table.

Model Number	Nominal Tons	Compressor Qty	Compressor(A) Cool/Heat	Fan Qty	ODU Fan(A)	IDU Fan (A)	MCA(A)	MOP(A)
LS090HXV	3/4	1	10/10	1	0.4	0.5	13.5	20
LS120HXV	1	1	10/10	1	0.4	0.5	13.5	20

Voltage tolerance is $\pm 10\%$.

Maximum allowable voltage unbalance is 2%.

MCA = Minimum Circuit Ampacity.

Maximum Overcurrent Protection (MOP) is calculated as follows: (Largest motor FLA x 2.25) + (Sum of other motor FLA) rounded down to the nearest standard fuse size.

FUNCTIONS, CONTROLS, OPTIONS

Table 6: Indoor Units—Functions, Controls and Options.

Indoor Unit Type		LS090-120-180-240HEV1	LS090-120HXV
Airflow	Air supply outlet	1	1
	Airflow direction (left/right)	Manual	Auto
	Airflow direction (up/down)	Auto	Auto
	Auto swing (left/right)	X	√
	Auto swing (up/down)	√	√
	Airflow steps (fan/cool/heat)	4 / 4 / 4	6 / 6 / 6
	Auto swing	√	√
	Auto wind	√	√
	Jet-cool/heat	√ / √	√ / √
	Swirl wind	X	X
	One touch soft air	√	X
Air Purifying	Washable anti-fungal ¹	√	√
	Deodorizing filter	X	X
	Plasma ²	X	X
	Allergy free filter	X	X
	3M Micro Protection filter ²	X	X
Functions	Drain pump	X	X
	E.S.P. control	X	X
	Electric heater	X	X
	High ceiling	X	X
	Defrost	√	√
	Low ambient	√	√
	Hot start	√	√
	Self diagnostics	√	√
	Soft dry (dehumidification)	√	√
	Auto changeover	√	√
	Auto clean (coil dry)	√	√
	Auto restart	√	√
	Child lock	X	X
	Forced operation	√	√
	Sleep mode	√	√
	Timer (24hr on/off)	√	√
	Weekly timer	X	X
	Two thermistor control	X	X
Controllers	Wireless Remote Controller	√	√
	Simple Controller with Mode Selection	X	o
	Simple Controller without Mode Selection	X	o
	LG Programmable Thermostat	X	o
	Dry contact	X	o
	Central control (LGAP)	X	X
Special Function Kit	PI 485	X	X
	Zone control	X	X
	CTIE	X	X
	Electro thermostat	X	X
	Wi-Fi Module (Option)	X	X
	Water level sensor connection (for optional AG-9300-LG)	o	o
Other	Wind baffle kit	X	X
	Thermistor	X	X

¹Primary washable filters.

√ = Standard feature

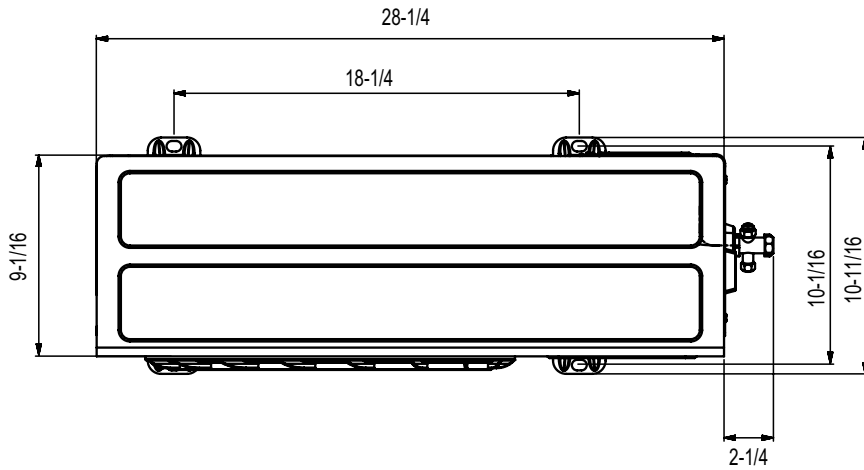
²Secondary filters.

o = Optional accessory (must be purchased separately)

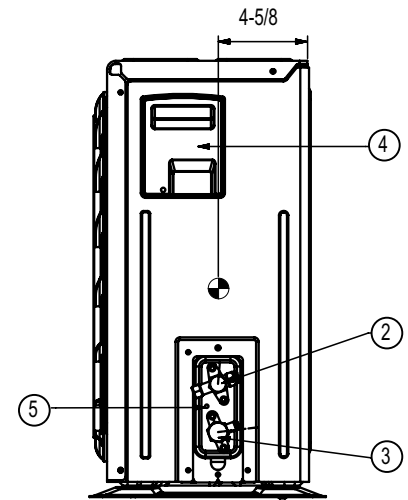
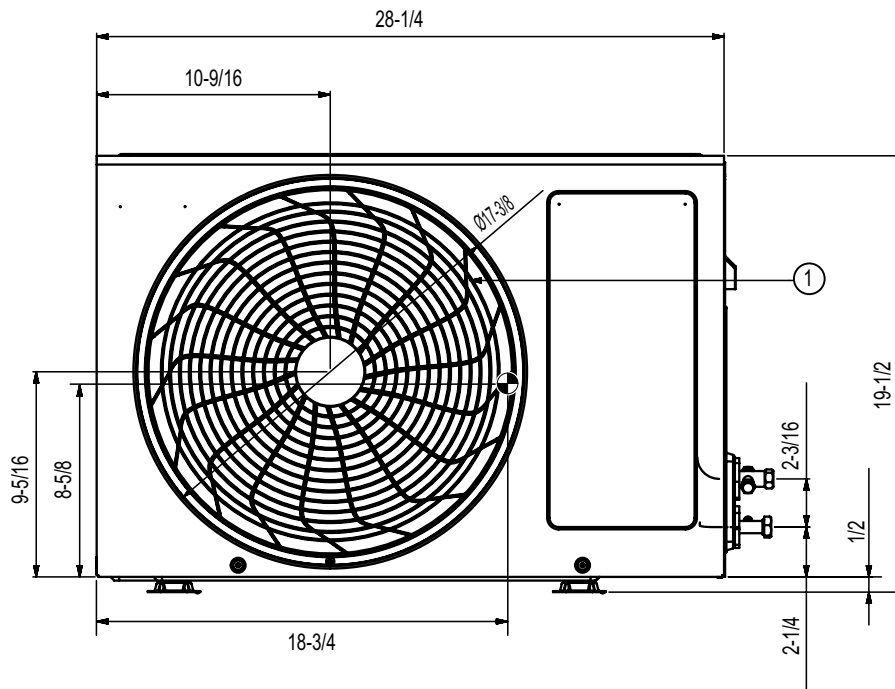
X = Not available

OUTDOOR UNIT DIMENSIONS

LSU090HEV1, LSU120HEV1



Item No.	Part Name
1	Discharge Air Grille
2	Gas Pipe Connection Port
3	Liquid Pipe Connection Port
4	Control Box
5	Ground Terminal

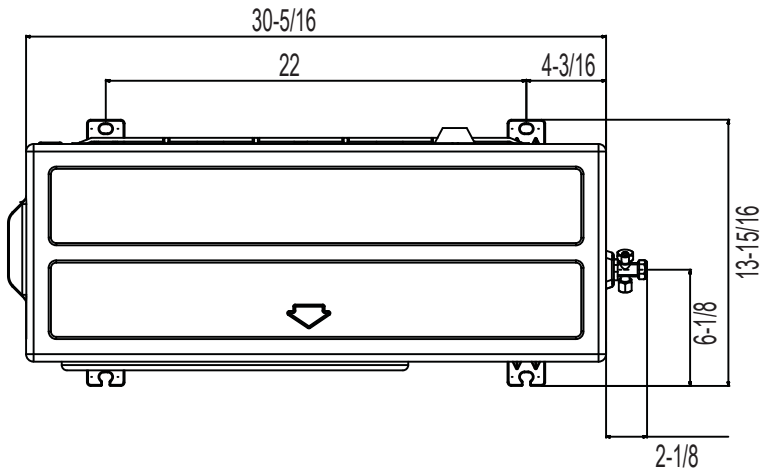


Center of gravity
Unit: Inch

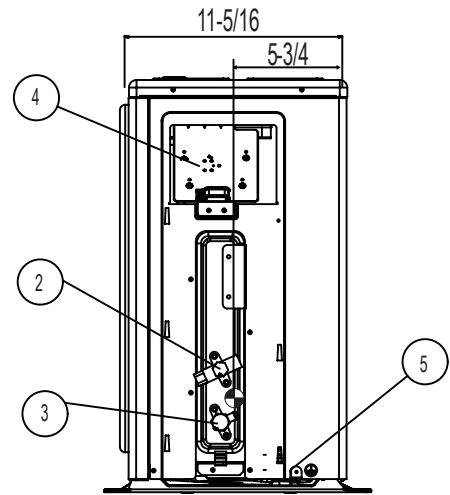
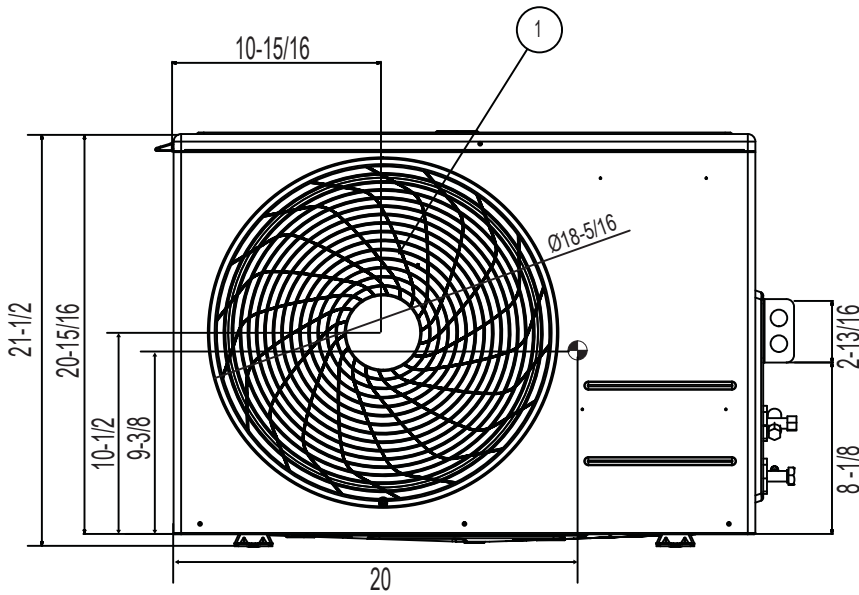
Product Data

OUTDOOR UNIT DIMENSIONS

LSU180HEV1



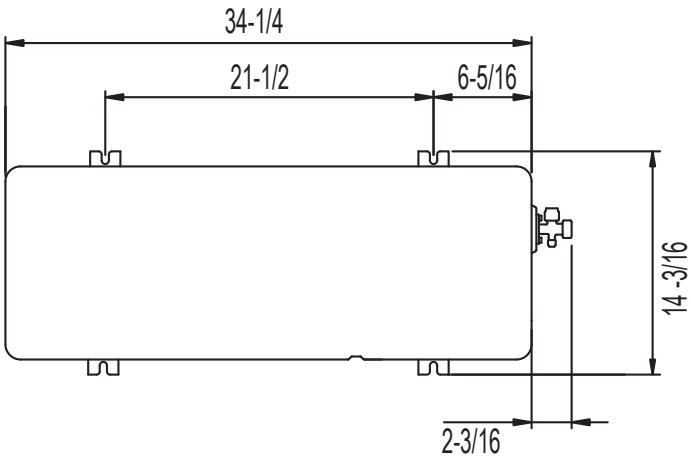
Item No.	Part Name
1	Discharge Air Grille
2	Gas Pipe Connection Port
3	Liquid Pipe Connection Port
4	Control Box
5	Ground Terminal



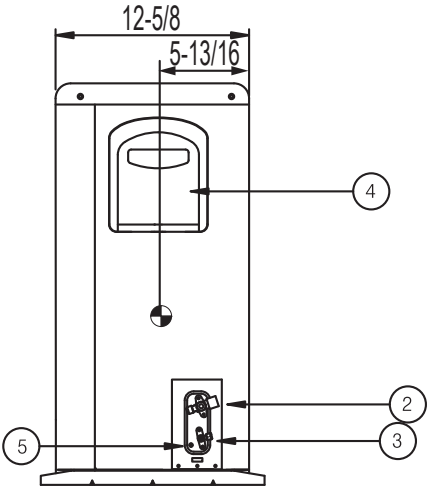
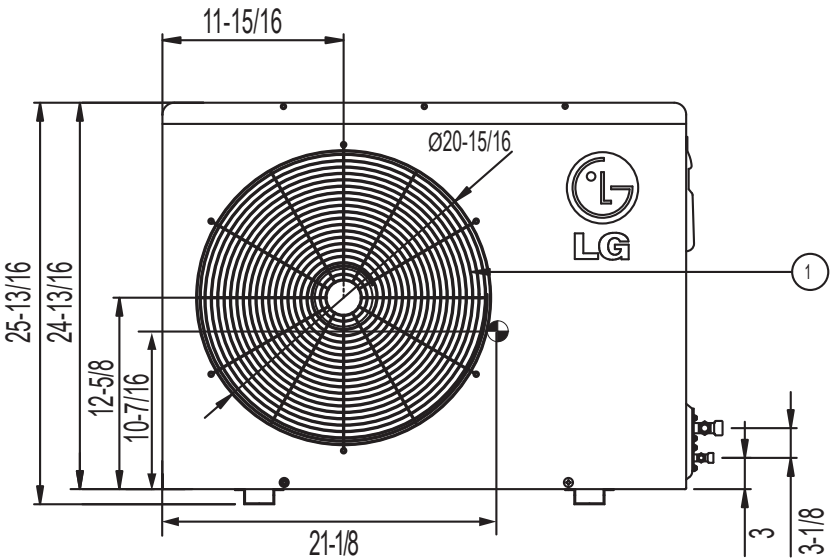
Unit: Inch
 Center of Gravity

OUTDOOR UNIT DIMENSIONS

LSU240HEV1



Item No.	Part Name
1	Discharge Air Grille
2	Gas Pipe Connection Port
3	Liquid Pipe Connection Port
4	Control Box
5	Ground Terminal

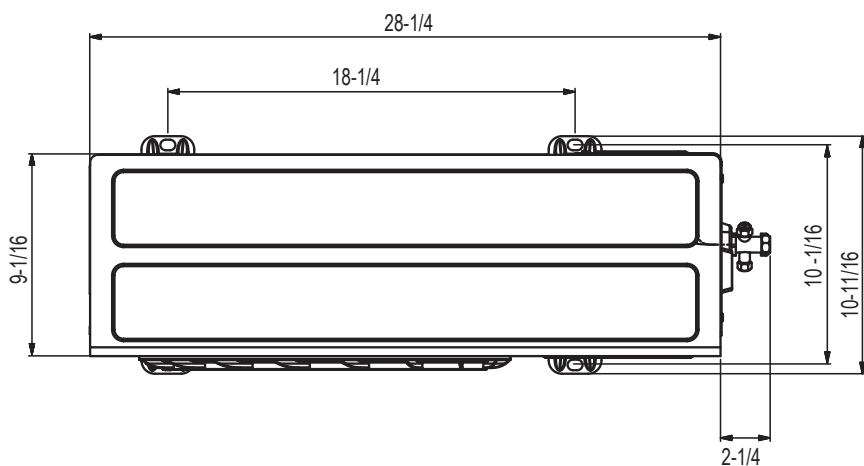


Unit: Inch
 Center of Gravity

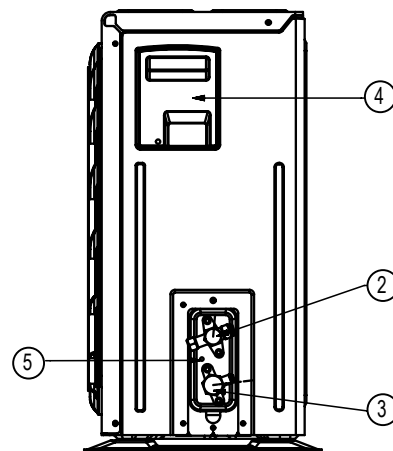
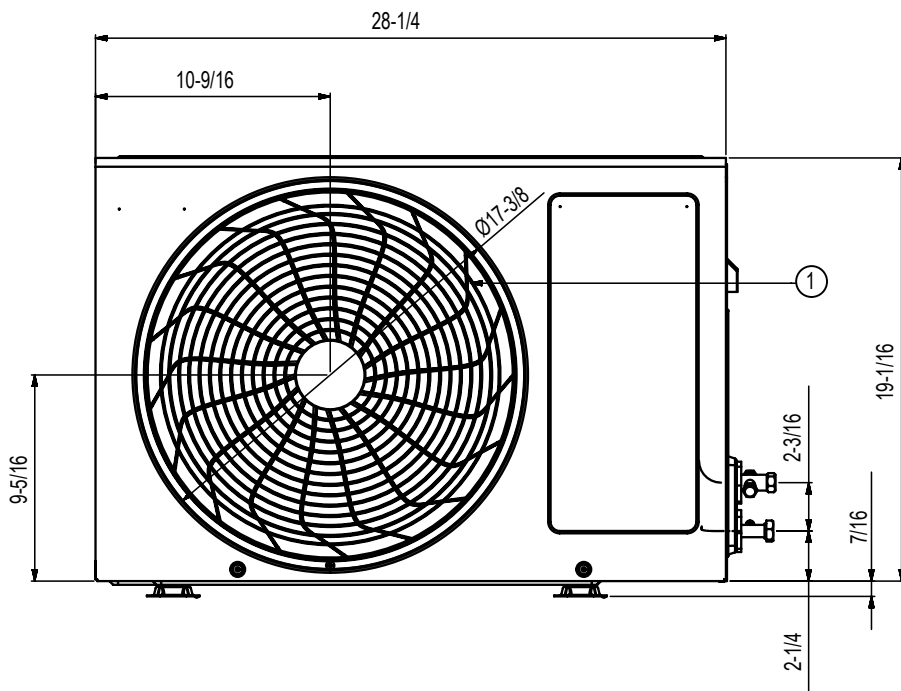
Product Data

OUTDOOR UNIT DIMENSIONS

LSU090HXV, LSU120HXV



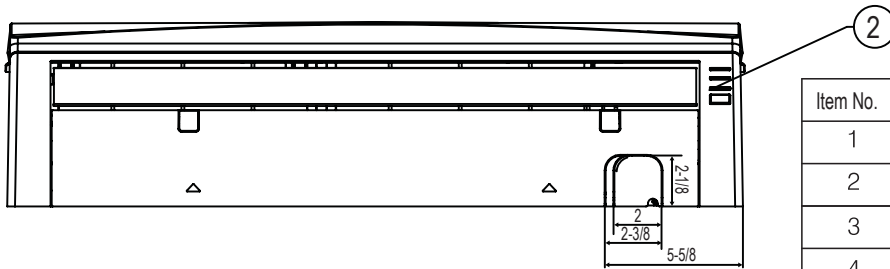
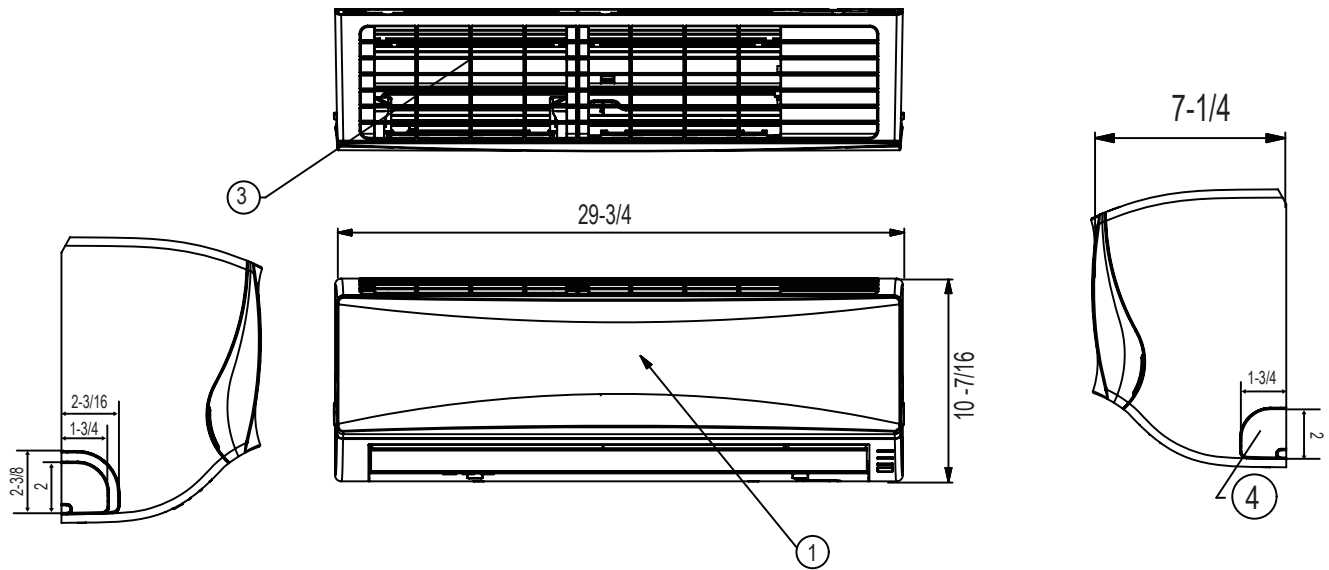
Item No.	Part Name
1	Discharge Air Grille
2	Gas Pipe Connection Port
3	Liquid Pipe Connection Port
4	Control Box
5	Ground Terminal



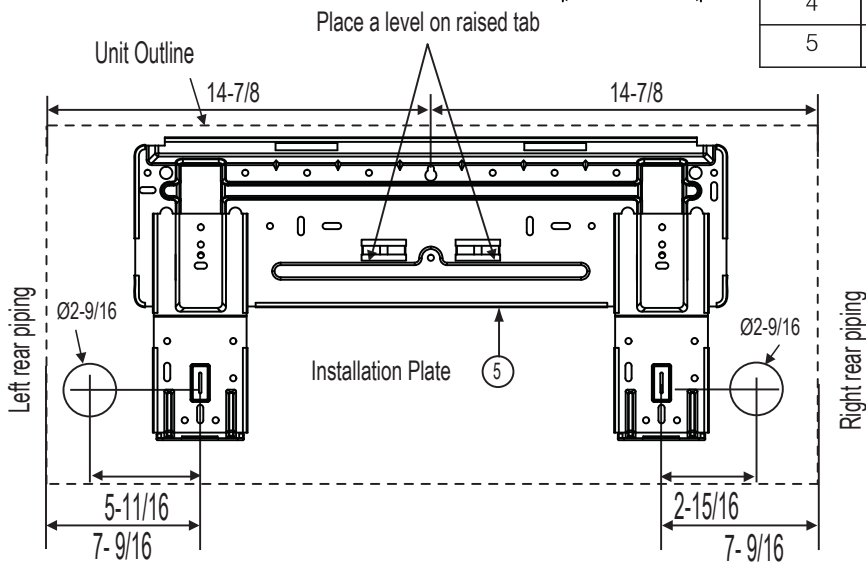
Unit: Inch

INDOOR UNIT DIMENSIONS

LSN090HEV1



Item No.	Part Name
1	Front Panel
2	Display & Signal Receiver
3	Return Air Grille
4	Knockout Hole for Piping and Cables
5	Installation Plate

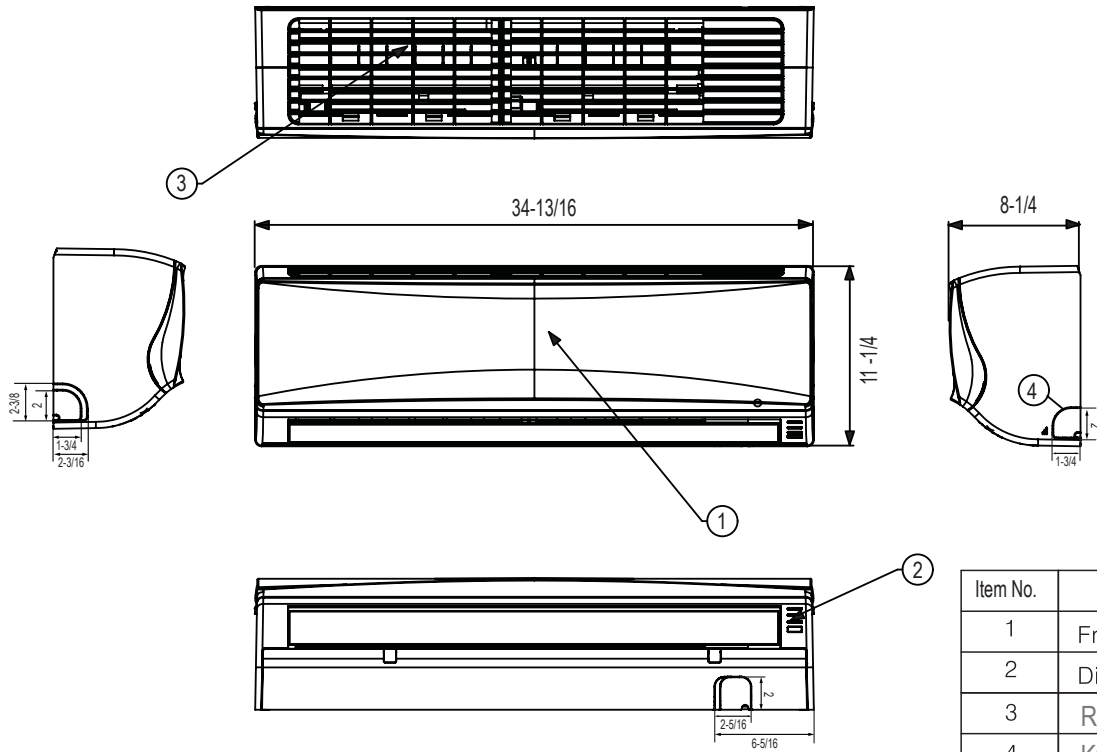


Unit: Inch

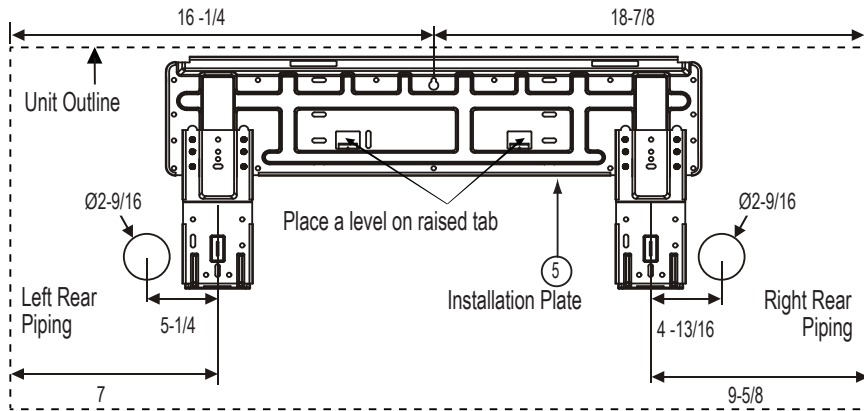
Product Data

INDOOR UNIT DIMENSIONS

LSN120HEV1



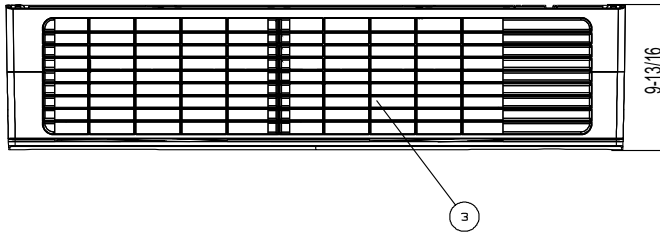
Item No.	Part Name
1	Front Panel
2	Display & Signal Receiver
3	Return Air Grille
4	Knockout Hole for Piping & Cable
5	Installation Plate



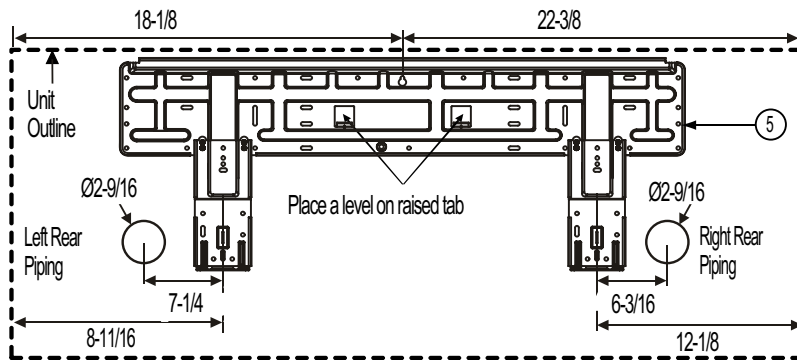
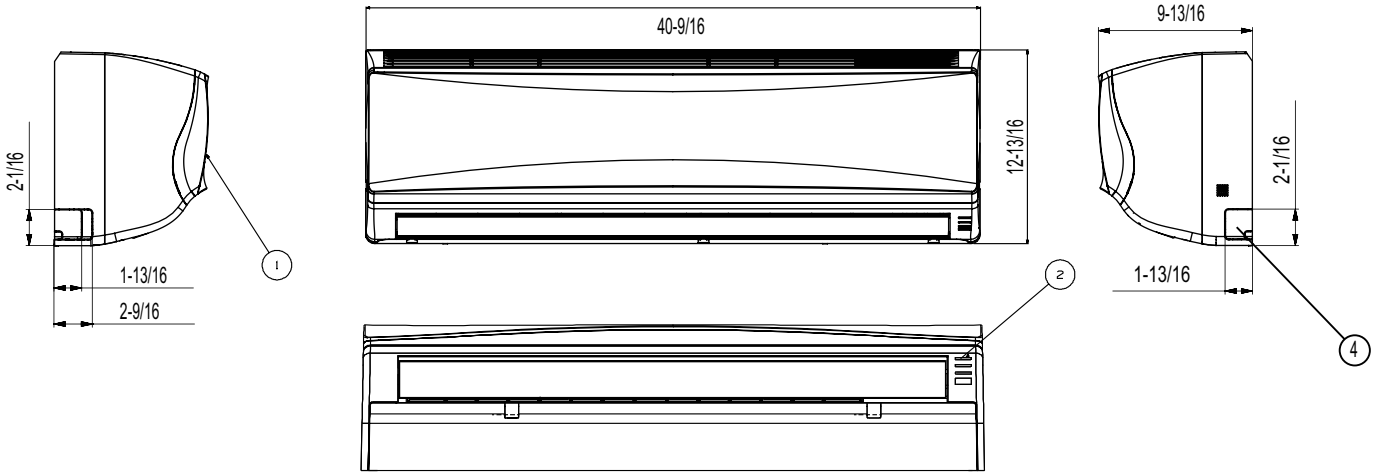
Unit: Inch

INDOOR UNIT DIMENSIONS

LSN180HEV1, LSN240HEV1



Item No.	Part Name
1	Front Panel
2	Display & Signal Receiver
3	Return Air Grille
4	Knockout Hole for Piping & Cable
5	Installation Plate

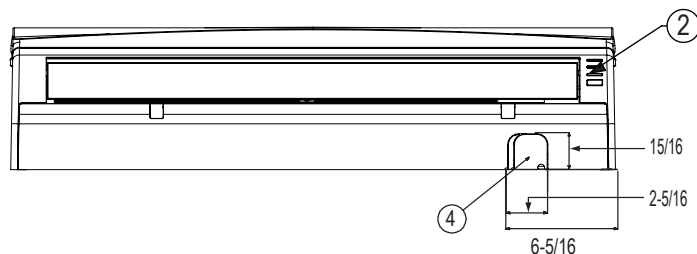
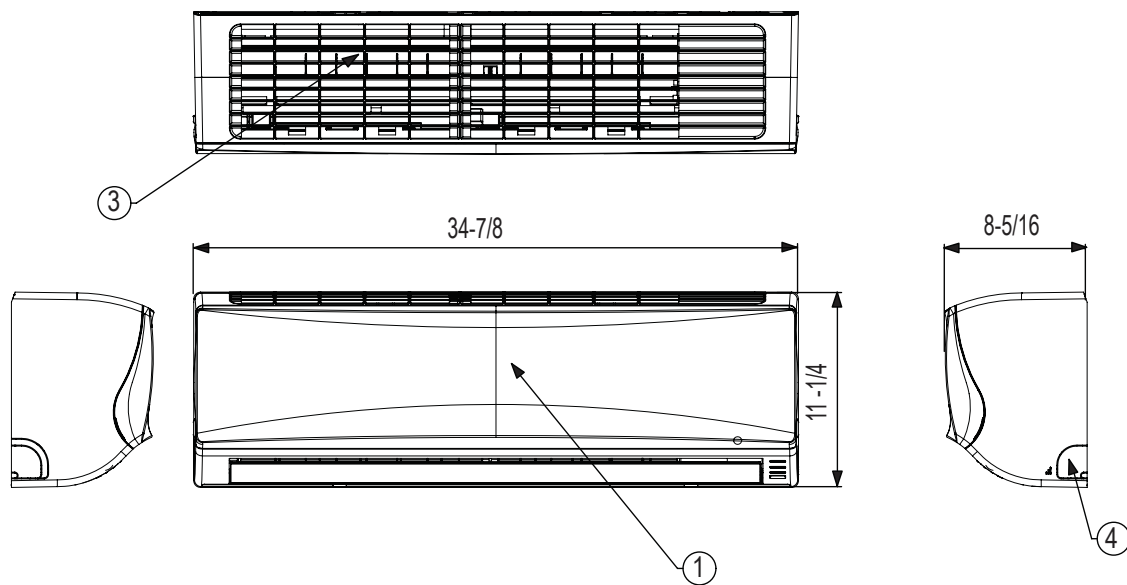


Unit: Inch

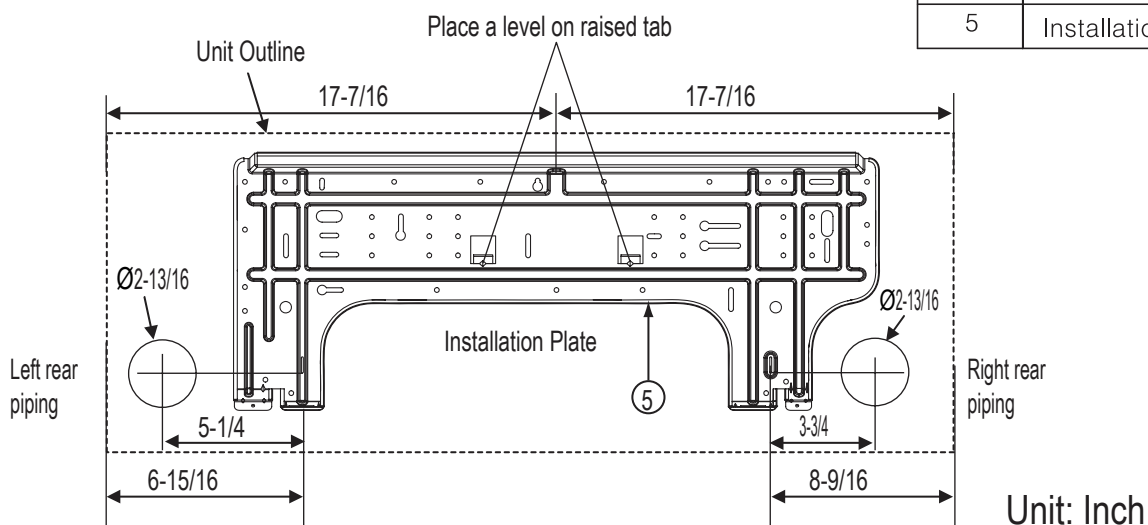
Product Data

INDOOR UNIT DIMENSIONS

LSN090HXV, LSN120HXV



Item No.	Part Name
1	Front Panel
2	Display & Signal Receiver
3	Return Air Grille
4	Knockout hole for piping and cable
5	Installation Plate

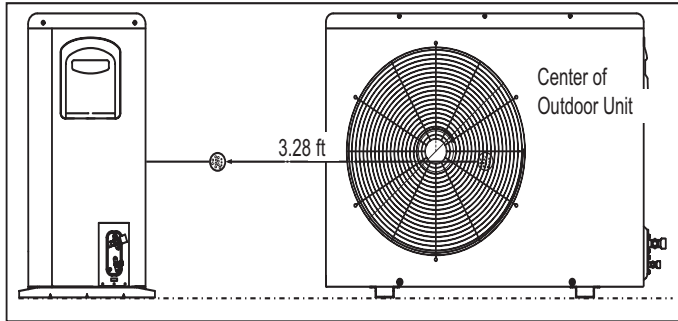


Unit: Inch

OUTDOOR UNIT ACOUSTIC DATA

Mega Inverter and Mega 115V Outdoor Units

Figure 1: Outdoor Unit Sound Levels



- Measurements are taken 3.28 ft away from the front of the unit.
- Sound pressure levels are measured in dB(A) with a tolerance of ± 3 .
- Sound pressure levels are tested in an anechoic chamber under ISO Standard 3745.
- Sound level will vary depending on a range of factors including the construction (acoustic absorption coefficient) of a particular room in which the unit was installed.

Table 7: Outdoor Unit Acoustic Data

Model	Sound Pressure Levels (dB(A))	
	Cooling (Max)	Heating (Max.)
<i>Mega Inverter</i>		
LSU090HEV1	47	47
LSU120HEV1	47	47
LSU180HEV1	51	51
LSU240HEV1	53	53
<i>Mega 115V</i>		
LSU090HXV	47	47
LSU120HXV	47	47

Figure 2: Sound Pressure Levels for Mega Inverter Outdoor Units.

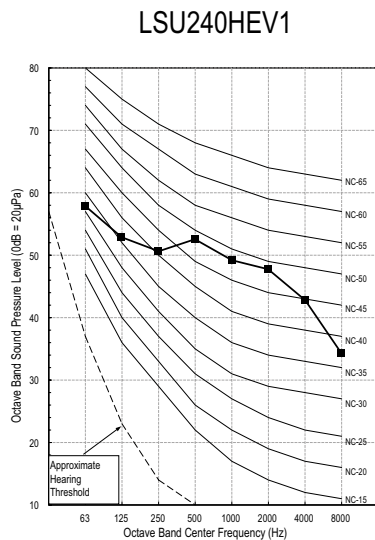
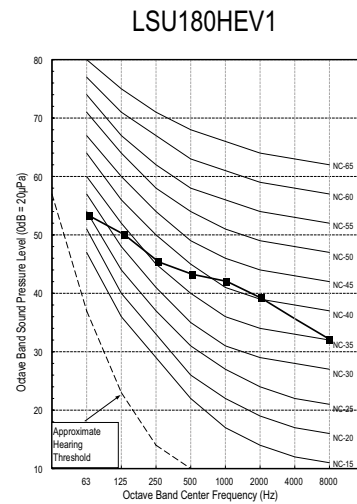
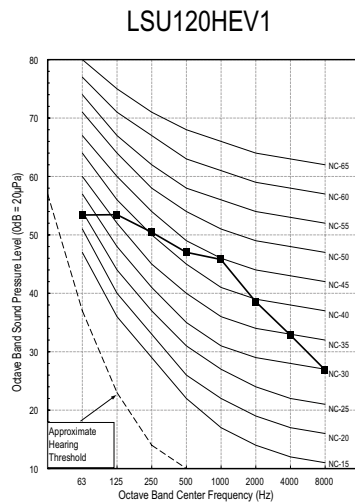
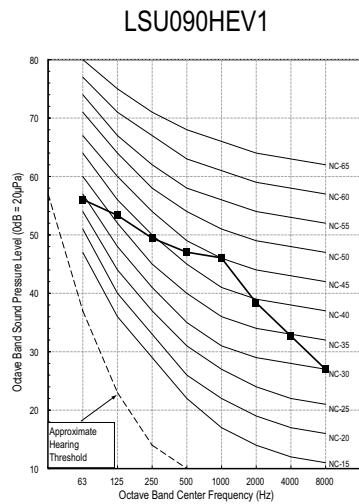
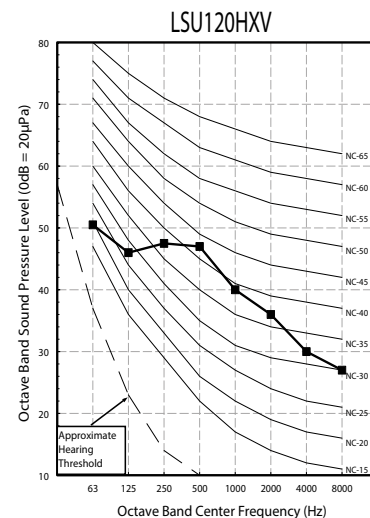
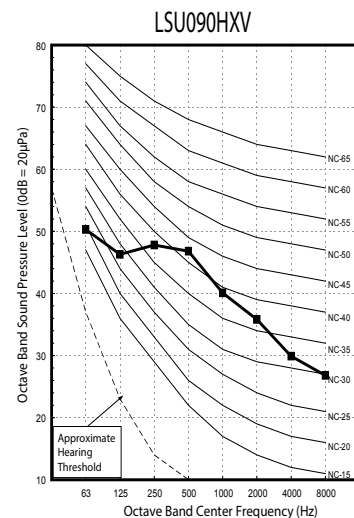


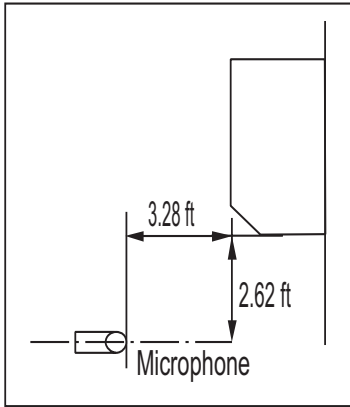
Figure 3: Sound Pressure Levels for Mega 115V Outdoor Units.



INDOOR UNIT ACOUSTIC DATA

Mega Inverter and Mega 115V Outdoor Units

Figure 4: Indoor Unit Sound Levels



- Measurements are taken 3.28 ft away from the front of the unit.
- Sound pressure levels are measured in dB(A) with a tolerance of ± 3 .
- Sound pressure levels are tested in an anechoic chamber under ISO Standard 3745.
- Sound level will vary depending on a range of factors including the construction (acoustic absorption coefficient) of a particular room in which the unit was installed.

Table 8: Indoor Unit Acoustic Data

Model	Sound Pressure Levels (dB[A])					
	Cooling			Heating		
	H	M	L	H	M	L
Mega Inverter						
LSN090HEV1	39	33	25	39	33	25
LSN120HEV1	39	33	25	39	33	25
LSN180HEV1	42	40	35	42	40	35
LSN240HEV1	45	40	35	45	40	35
Mega 115V						
LSN090HXV	39	33	23	39	33	23
LSN120HXV	39	33	23	39	33	23

Figure 5: Sound Pressure Levels for Mega Inverter Indoor Units.

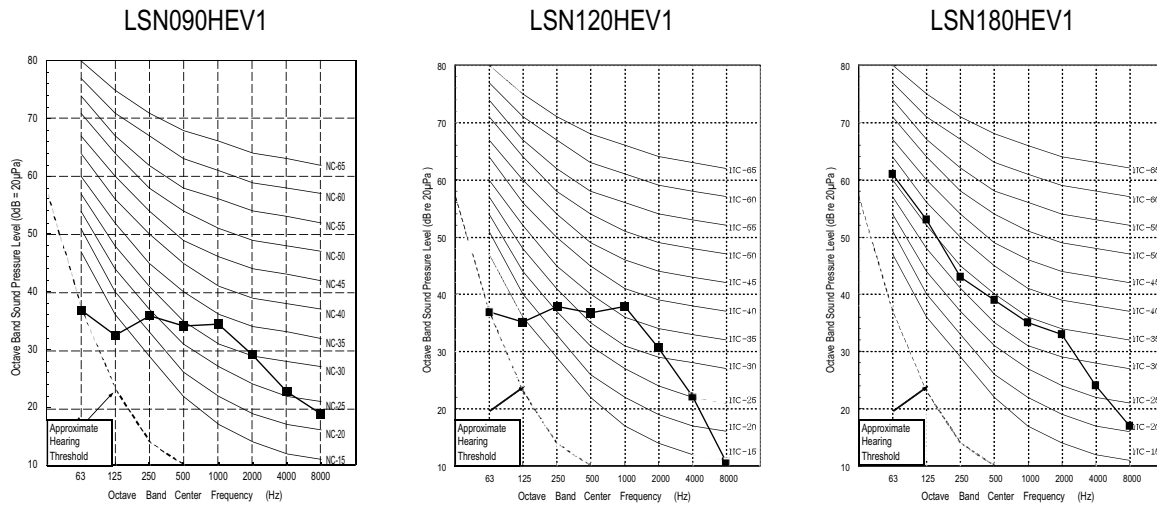
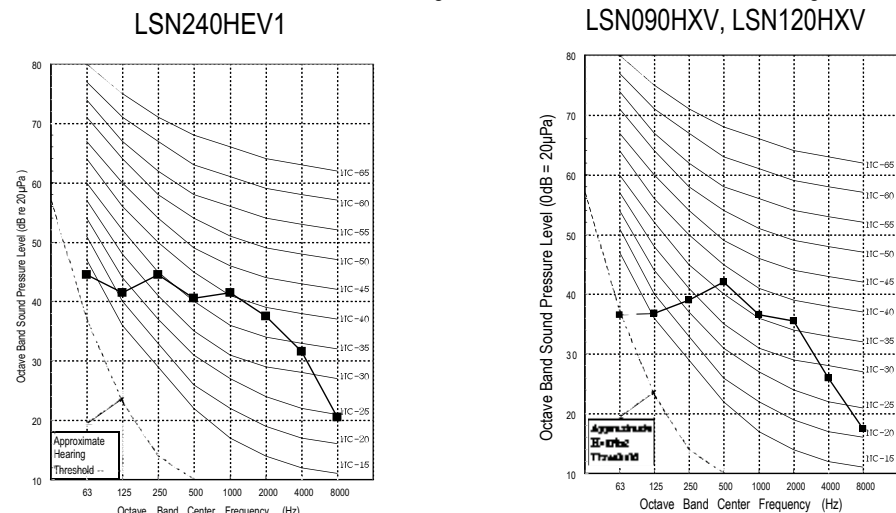


Figure 6: Sound Pressure Levels for Mega 115V Indoor Units.

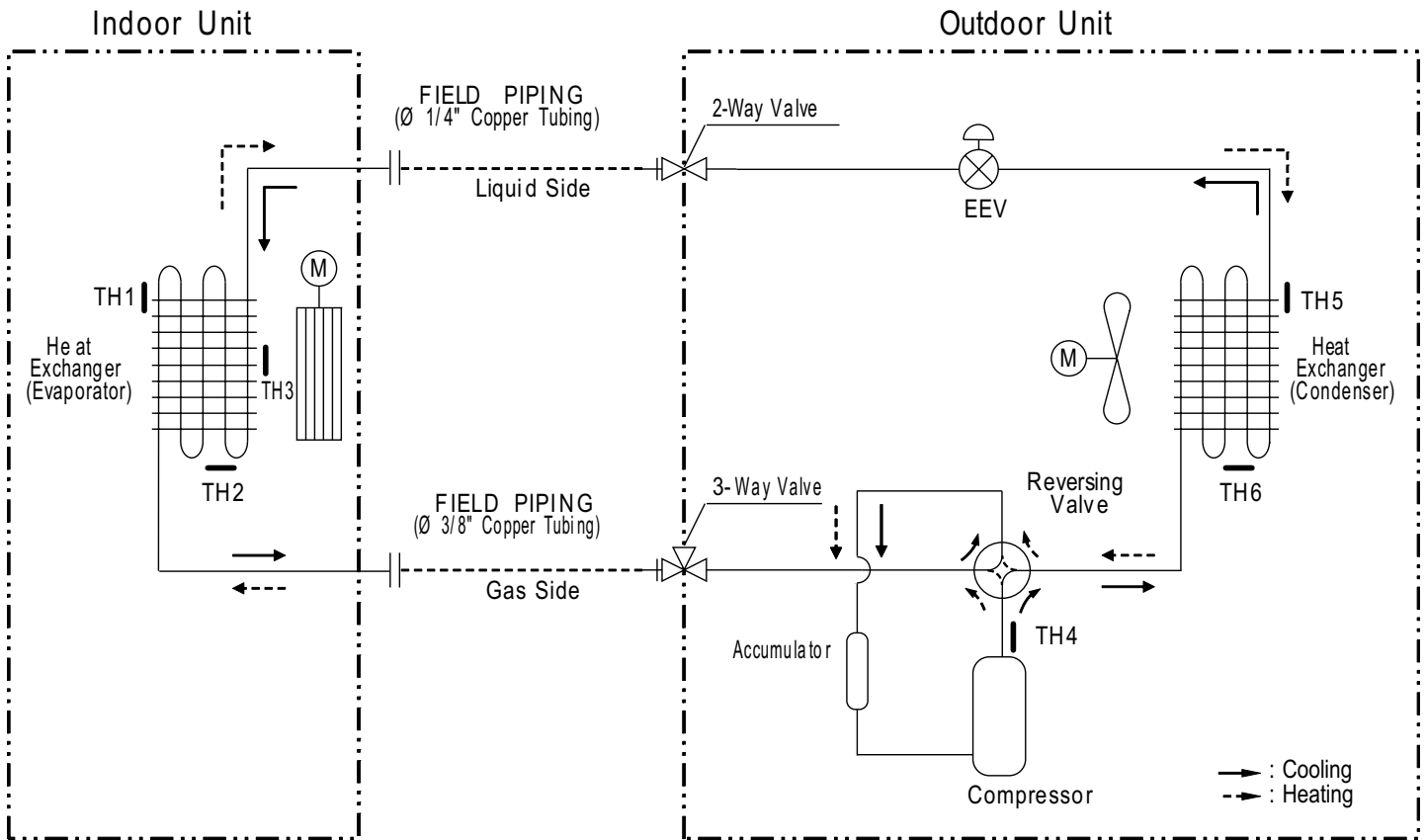


Due to our policy of continuous product innovation, some specifications may change without notification.
 © LG Electronics U.S.A., Inc., Englewood Cliffs, NJ. All rights reserved. *LG* is a registered trademark of LG Corp.



REFRIGERANT FLOW DIAGRAMS

Mega Inverter LSN/LSU090-120HEV1

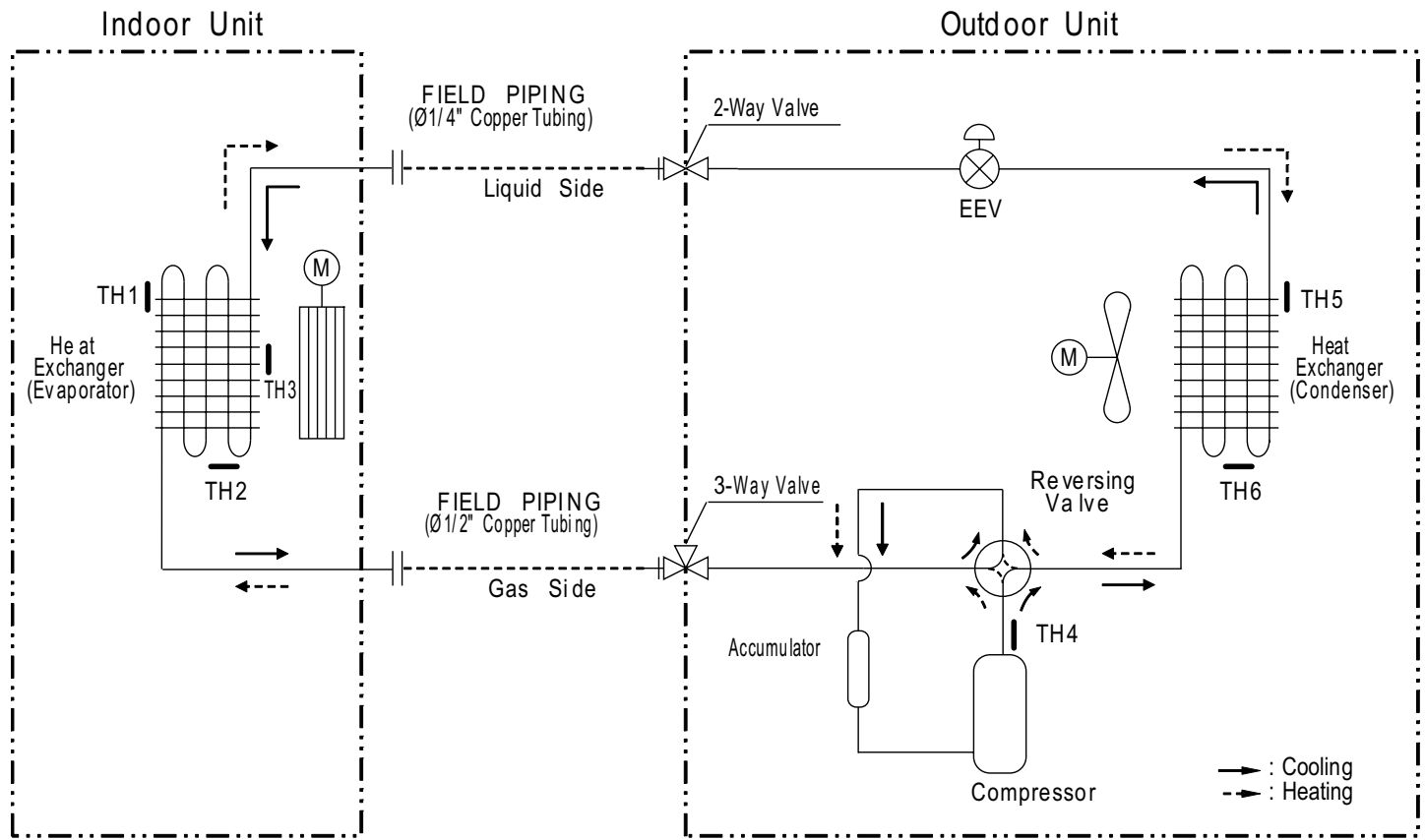


Product Data

Thermistor	Description	PCB Connector
TH1	Indoor air temperature thermistor	CN-TH1 (Indoor)
TH2	Water level sensor (optional)	CN-TH2 (Indoor)
TH3	Evaporator middle temperature thermistor	CN-TH3 (Indoor)
TH4	Discharge pipe temperature thermistor	CN-TH2 (Outdoor)
TH5	Outdoor air temperature thermistor	CN-TH1 (Outdoor)
TH6	Condensing temperature thermistor	

REFRIGERANT FLOW DIAGRAMS

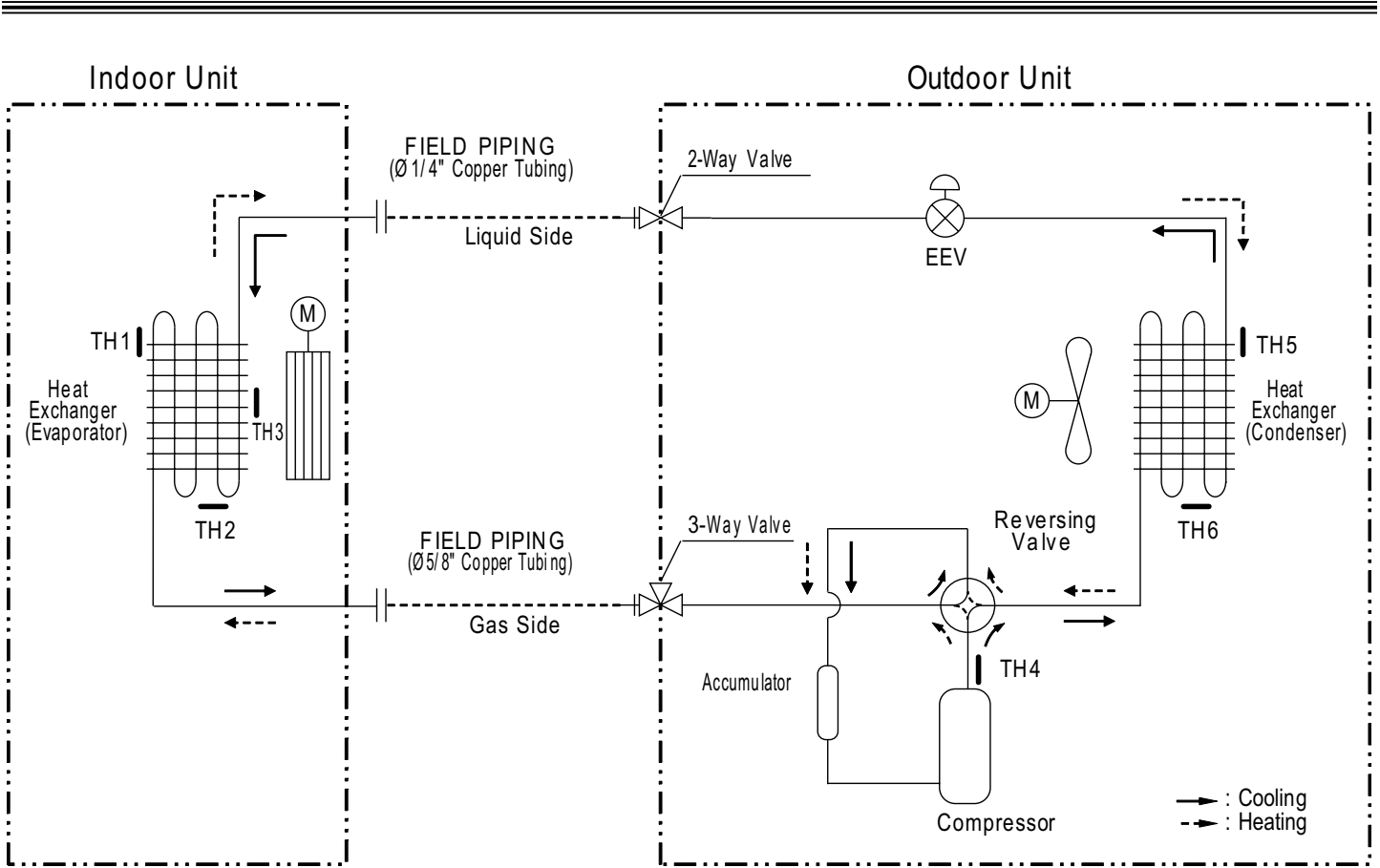
Mega Inverter LSN/LSU180HEV1



Thermistor	Description	PCB Connector
TH1	Indoor air temperature thermistor	CN-TH1 (Indoor)
TH2	Water level sensor (optional)	CN-TH2 (Indoor)
TH3	Evaporator middle temperature thermistor	CN-TH3 (Indoor)
TH4	Discharge pipe temperature thermistor	CN-TH2 (Outdoor)
TH5	Outdoor air temperature thermistor	CN-TH1 (Outdoor)
TH6	Condensing temperature thermistor	

REFRIGERANT FLOW DIAGRAMS

Mega Inverter LSN/LSU240HEV1



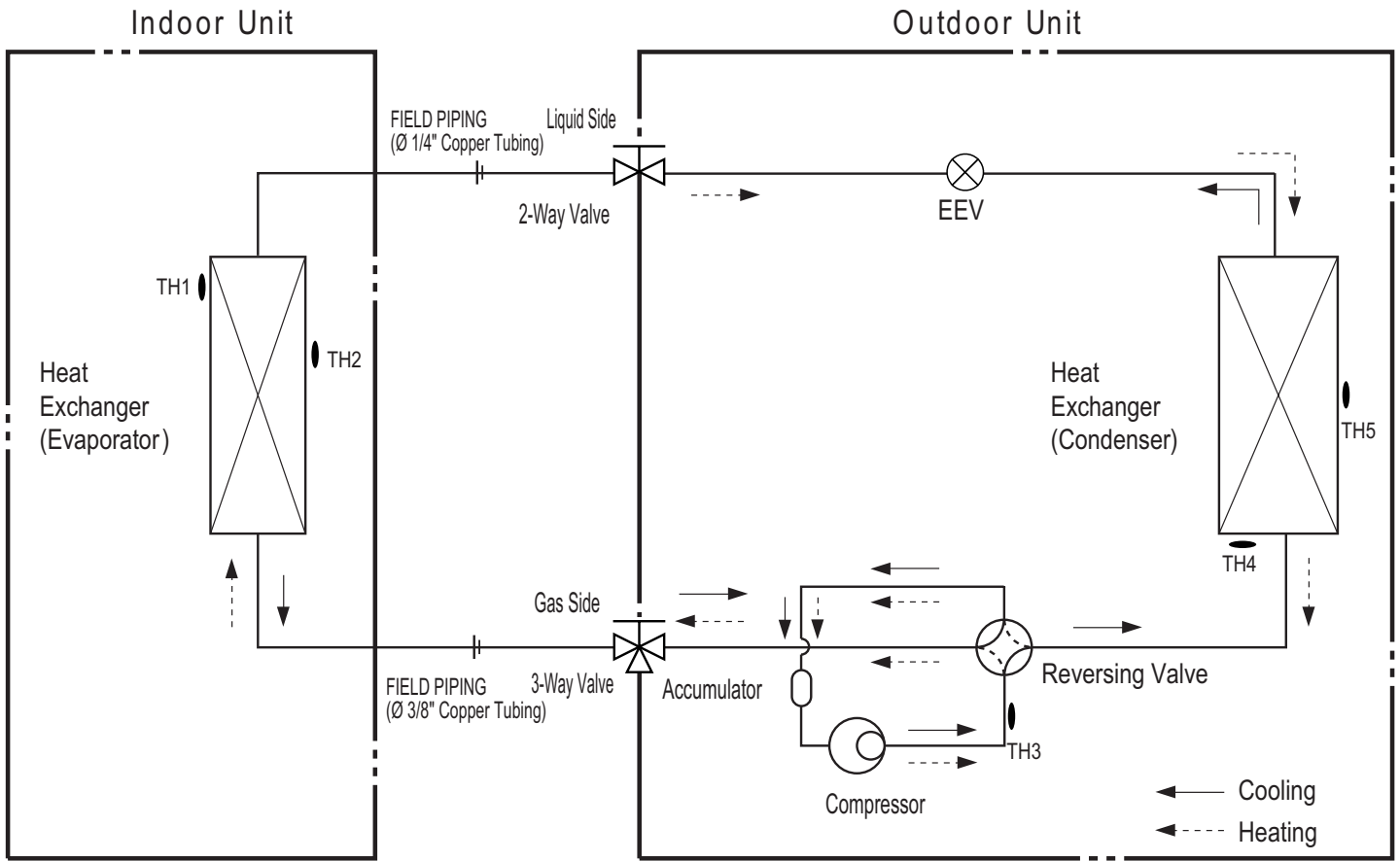
Product Data

Thermistor	Description	PCB Connector
TH1	Indoor air temperature thermistor	CN-TH1 (Indoor)
TH2	Water level sensor (optional)	CN-TH2 (Indoor)
TH3	Evaporator middle temperature thermistor	CN-TH3 (Indoor)
TH4	Discharge pipe temperature thermistor	CN-TH2 (Outdoor)
TH5	Outdoor air temperature thermistor	CN-TH1 (Outdoor)
TH6	Condensing temperature thermistor	

REFRIGERANT FLOW DIAGRAMS

Mega 115V LSN/LSU090-120HXV

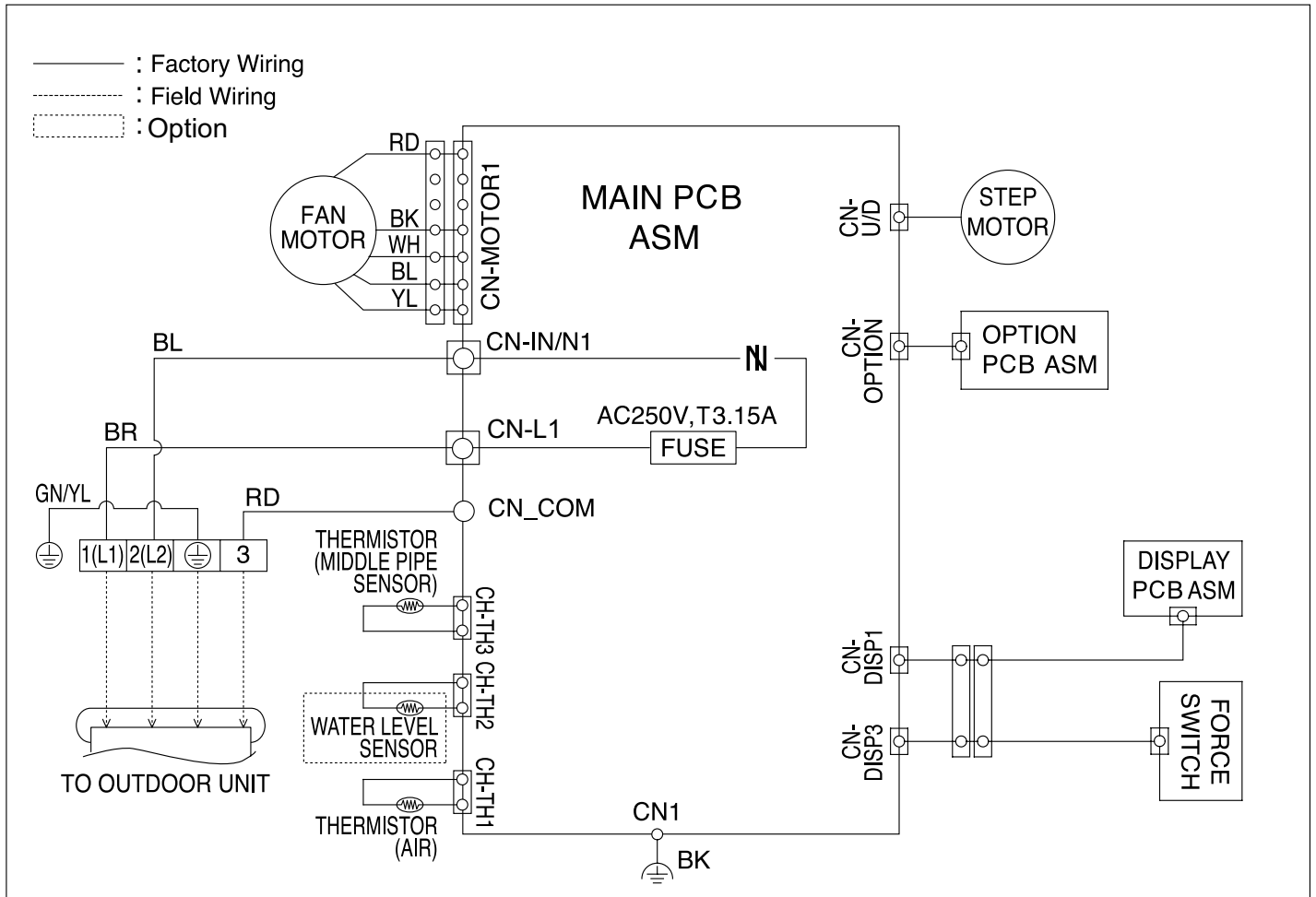
Single Zone Mega Wall Mounted Engineering Manual



Thermistor	Description	PCB Connector
TH1	Indoor air temperature thermistor	CN-TH1 (Indoor)
TH2	Evaporator middle temperature thermistor	CN-TH2 (Indoor)
TH3	Discharge pipe temperature thermistor	CN-TH2 (Outdoor)
TH4	Condensing middle temperature thermistor	CN-TH1 (Outdoor)
TH5	Outdoor air temperature thermistor	

WIRING DIAGRAM

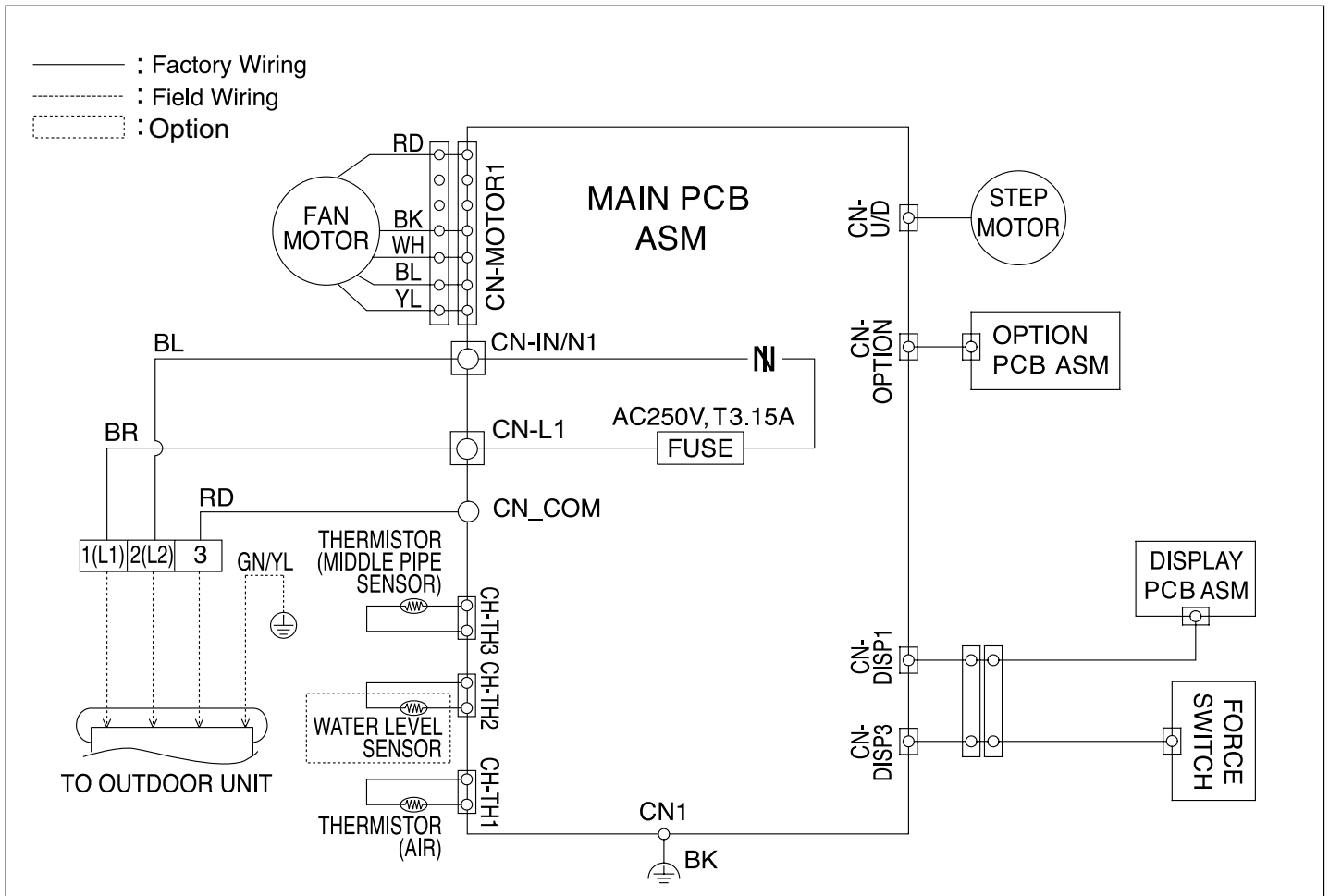
Mega Inverter LSN090HEV1



Product Data

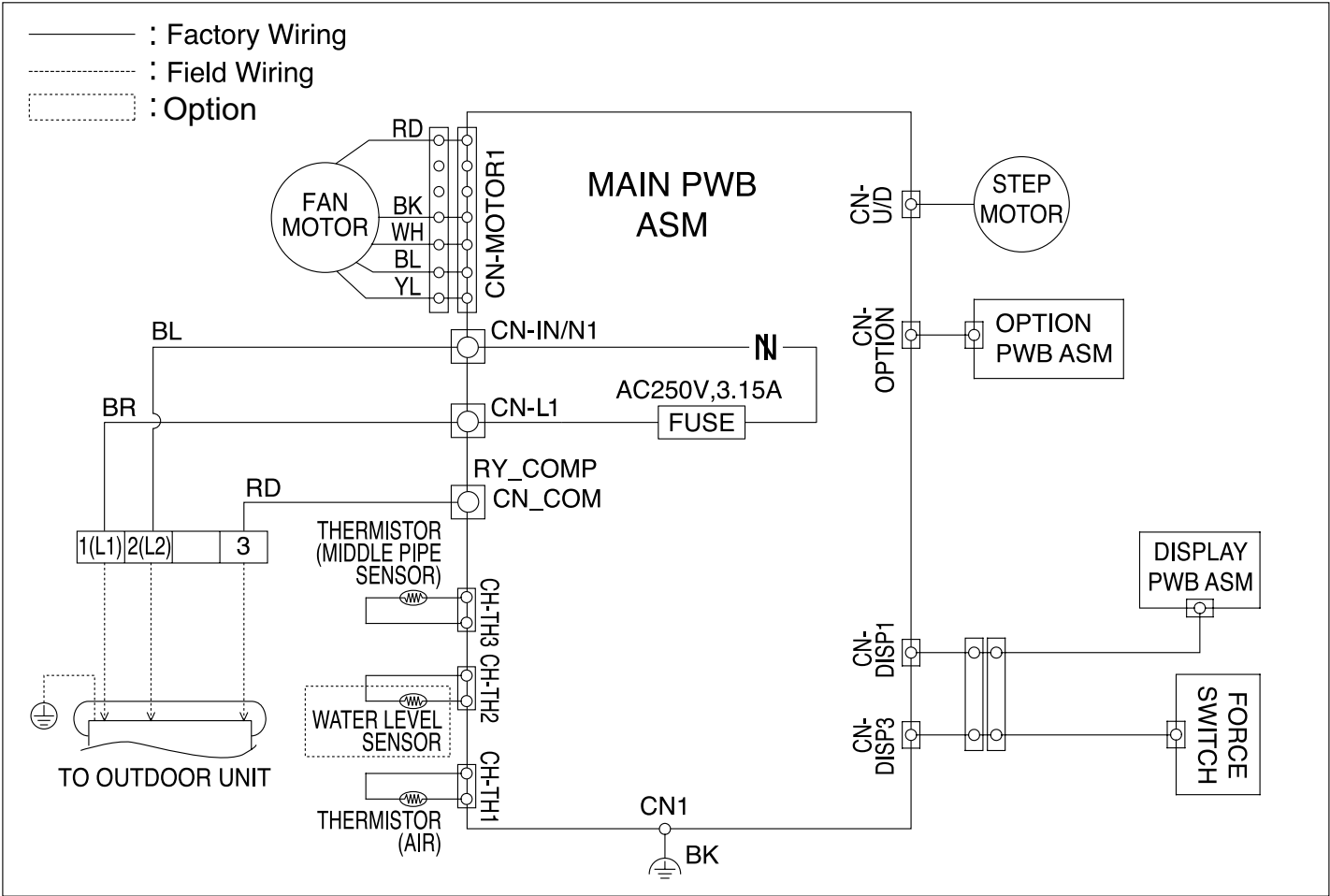
WIRING DIAGRAM

Mega Inverter LSN120HEV1



WIRING DIAGRAM

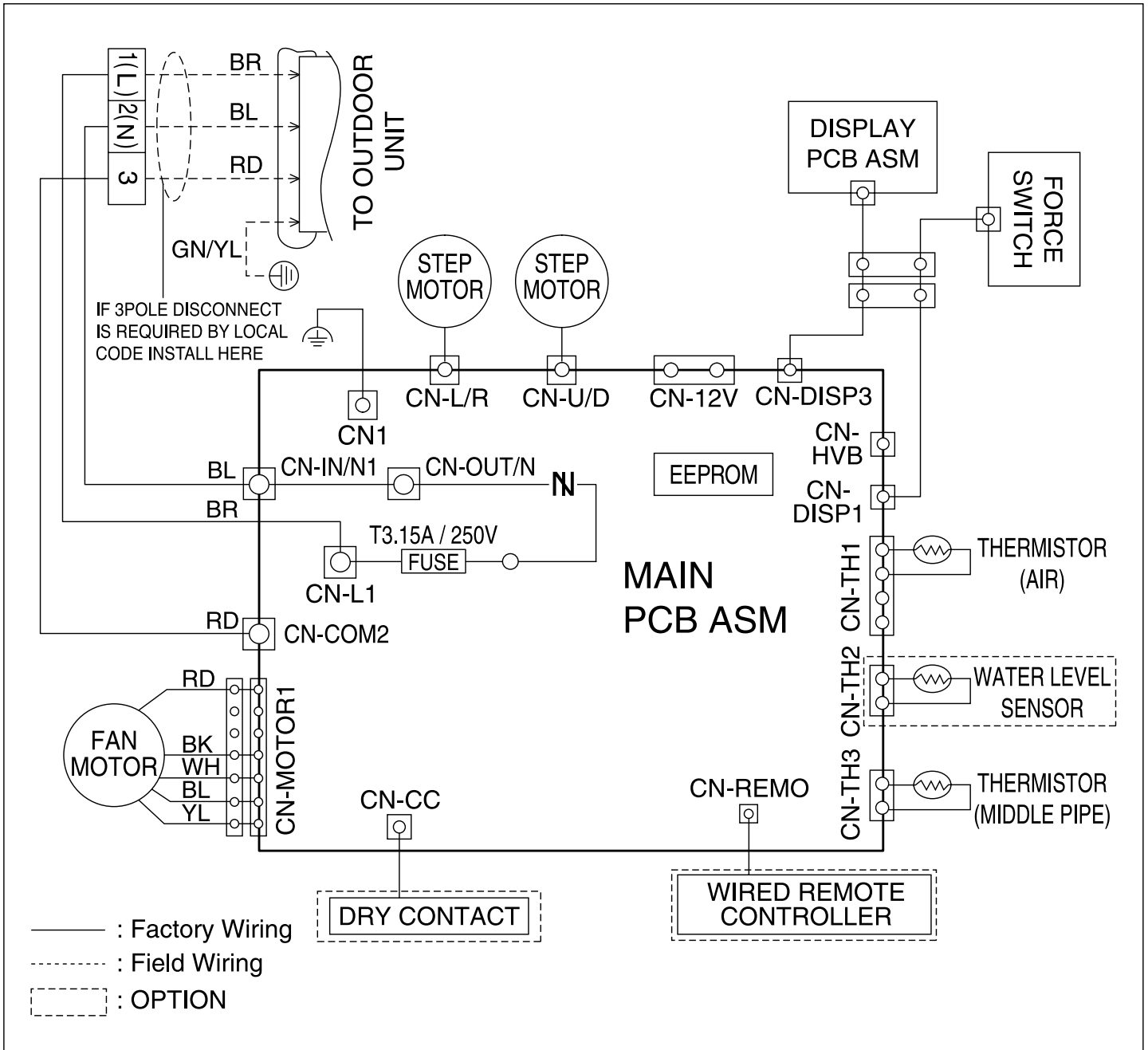
Mega Inverter LSN180HEV1 and LSN240HEV1



Product Data

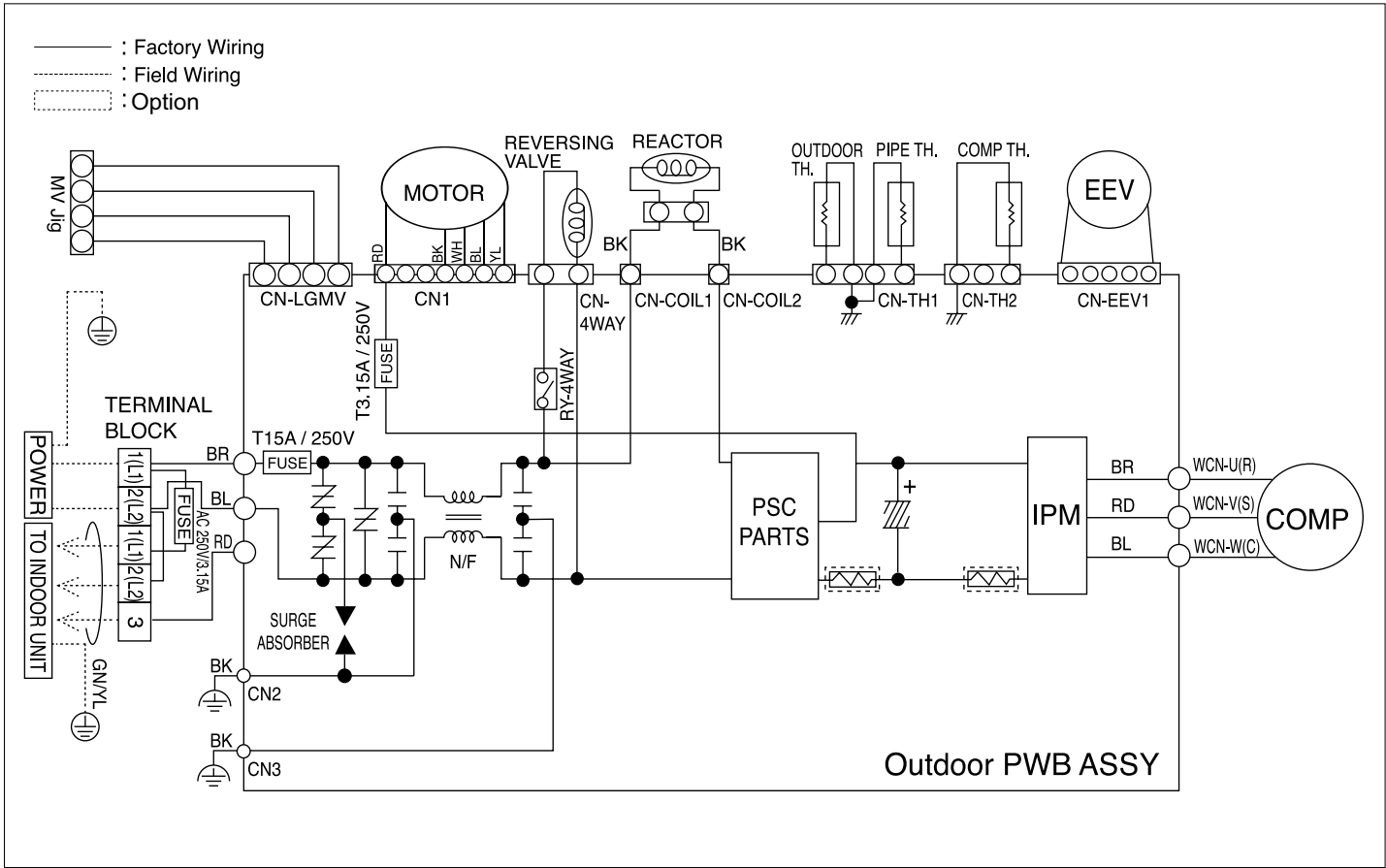
WIRING DIAGRAM

Mega 115V LSN090HXV and LSN120HXV



WIRING DIAGRAM

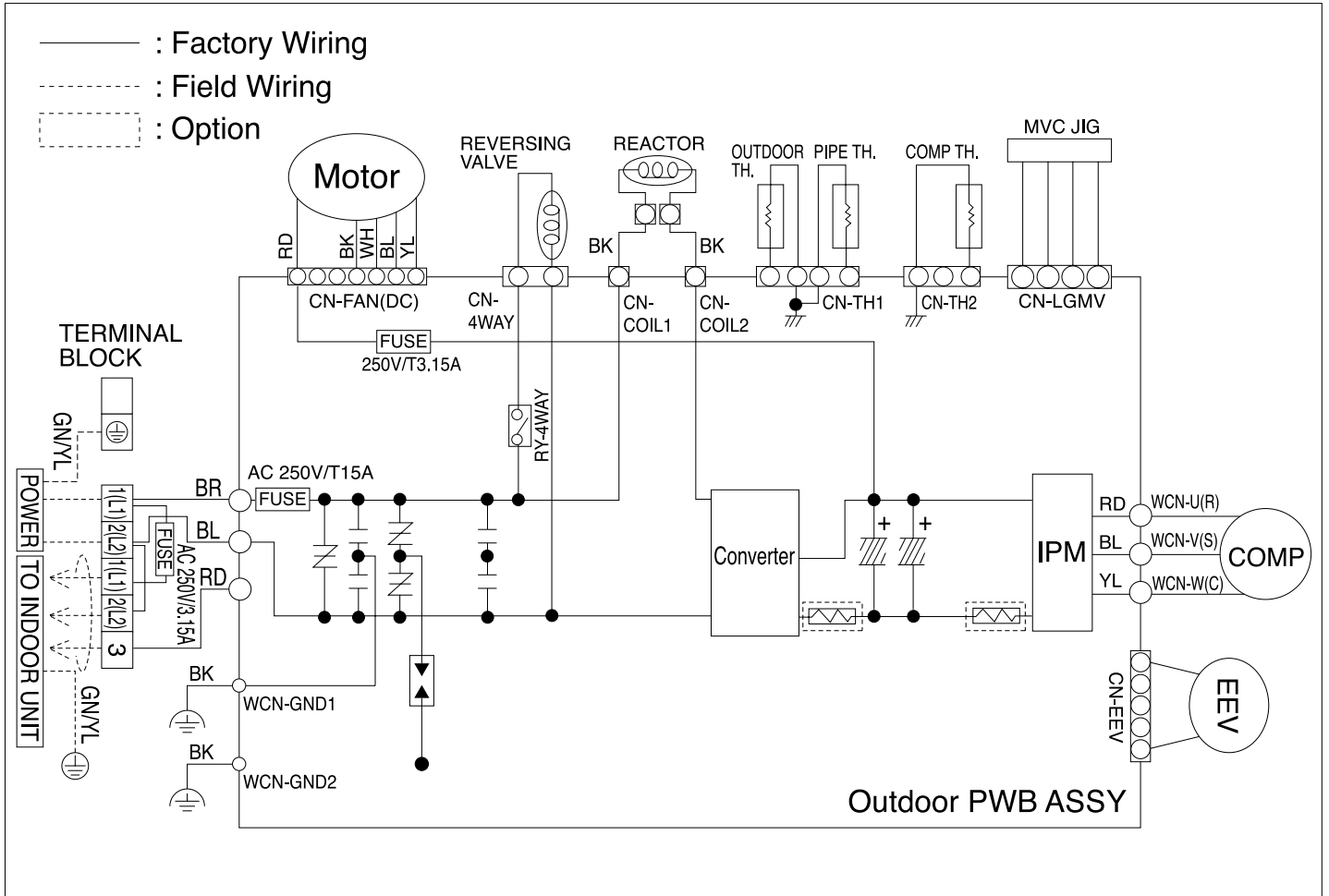
Mega Inverter LSU090HEV1 and LSU120HEV1



Product Data

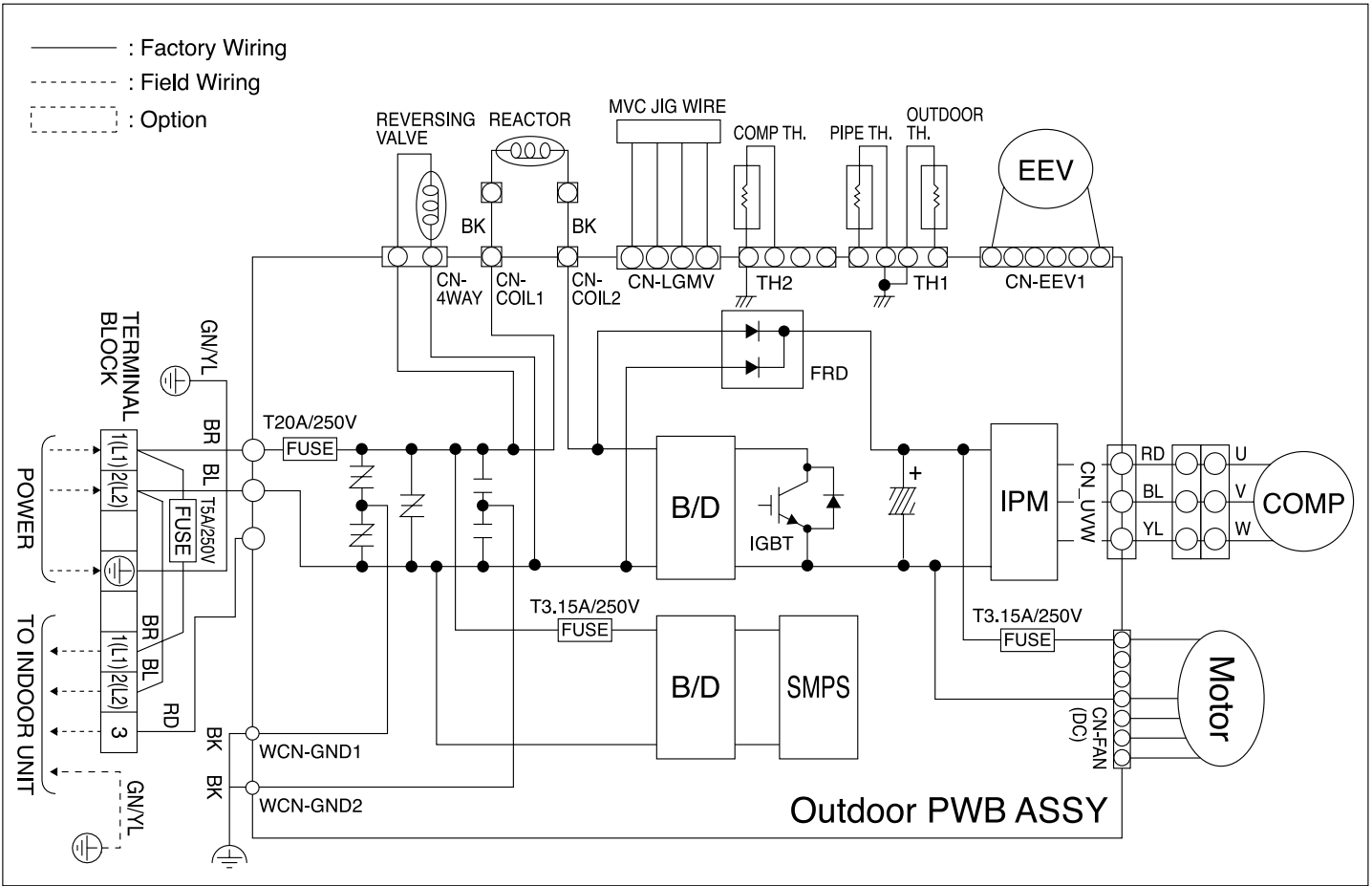
WIRING DIAGRAM

Mega Inverter LSU180HEV1



WIRING DIAGRAM

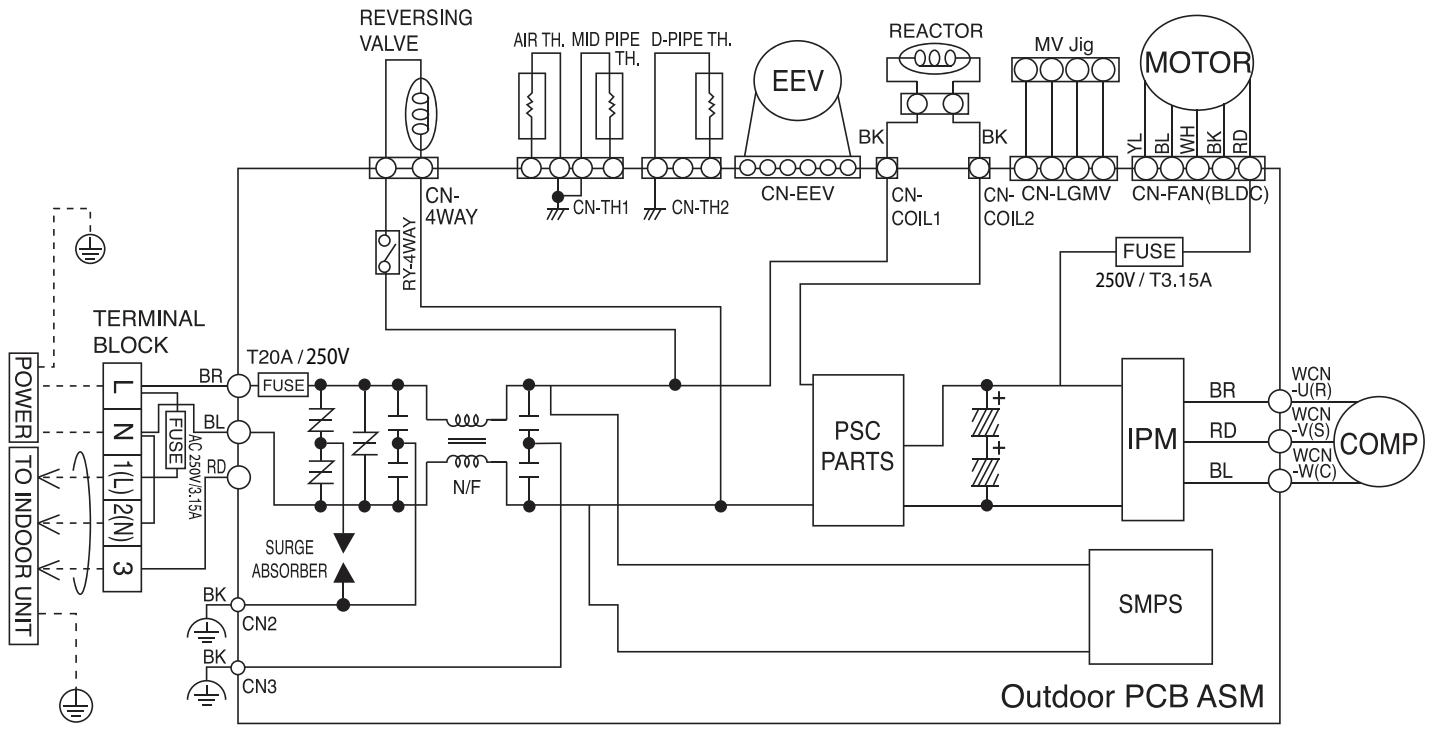
Mega Inverter LSU240HEV1



Product Data

WIRING DIAGRAM





Mega 115V LSU090HXV and LSU120HXV



- : Factory Wiring
- - - : Field Wiring
- [] : OPTION


ACCESSORIES

Table 9: Optional Zone Controllers for Mega 115 HXV Systems (see page 14 for Functions, Controls and Options).

Zone Controller	Name	Model No.	Case Color	Max Wire Length (ft)	Description
	Simple Controller with mode selection	PQRCVCL0Q	Black	164	Allows control of indoor unit on/off, operation mode, fan speed, and temperature setpoint for up to 16 indoor units.
		PQRCVCL0QW	White		
	Simple Controller without mode selection	PQRCHCA0Q	Black	164	Allows control of indoor unit on/off, fan speed, and temperature setpoint for up to 16 indoor units.
		PQRCHCA0QW	White		
	LG Premium Controller	PREMTA000	Ivory	164	Allows control of indoor unit on/off, operation mode, occupied/unoccupied temperature setpoints, fan speed, and air flow direction for up to 16 indoor units. Programmable schedule with 5 events per day with control of occupied/unoccupied, on/off, mode, setpoints and fan speed. Advanced functions include two setpoint autochangeover, minimum difference between setpoints, setback, timed override, target energy consumption display, check energy display and master/slave.
	LG Programmable Thermostat	PREMTB10U	White	164	Allows control of indoor unit on/off, operation mode, occupied and unoccupied temperature setpoints, fan speed, and airflow direction for up to 16 indoor units. Programmable schedule with 5 events per day with control of occupied/unoccupied, on/off, mode, setpoints and fan speed. Advanced functions include two setpoint auto changeover, minimum difference between setpoints, setback and timed override.


Before specifying or placing an order, refer to the V-Net Network Solution Engineering Product Data Book and review the detailed technical data provided to fully understand the capabilities / limitations of these devices.

Table 10: Zone Controller Communication Cables.

Communication Cable	Name	Model No.	Wire Length (ft)	Description
	Wired Remote/Group Control Extension Cable	PZCWRC1	33	Increases the distance between a remote controller and an indoor unit or between indoor units in a control group.

Before specifying or placing an order, refer to the V-Net Network Solution Engineering Product Data Book and review the detailed technical data provided to fully understand the capabilities / limitations of these devices.

Table 11: Speciality Application Devices for Mega 115V HXV Systems (see page 14 for Functions, Controls and Options).

Speciality Application Device	Name	Model No.	Connect to	Application	Binary Signals Input/Output	Description
	Simple Dry Contact	PQDSB1	Indoor Unit	On/Off, Run Status, Error Status	1/2	Enables the indoor unit to be controlled and monitored by third party controls using binary inputs and outputs.
	Dry Contact Unit for Economizer, occupied/unoccupied	PQDSBC1		On/Off, Mode, Controller Lock, Power Save, Run Status, Error Status	2/2	
	Dry Contact Unit for 24V Thermostat	PDRYCB300		On/Off, Thermo On/Off, Mode, Fan Speed, Run Status, Error Status	---	Enables the indoor unit to be controlled and monitored by a third party thermostat or controller.

Before specifying or placing an order, refer to the V-Net Network Solution Engineering Product Data Book and review the detailed technical data provided to fully understand the capabilities / limitations of these devices.

ACCESSORIES

LG Monitoring View (LGMV) Diagnostic Software and Cable

(PRCTSL1 and PRCTFE1)

LGMV software allows the service technician or commissioning agent to connect a computer USB port to the outdoor unit main printed circuit board (PCB) using an accessory cable without the need for a separate interface device. The main screen for LGMV shall allow user to view the following real time data on one screen:

- Actual inverter compressor speed
- Target inverter compressor speed
- Actual outdoor fan speed
- Target outdoor unit fan speed
- Actual superheat
- Inverter compressor current value
- Outdoor air temperature
- Actual high pressure/saturation temperature
- Actual low pressure/saturation temperature
- Suction temperature
- Inverter compressor discharge temperature
- Outdoor coil pipe temperature
- Liquid line pipe temperature
- Inverter compressor operation indicator light
- Four-way reversing valve operation indicator light
- Pressure graph showing actual low pressure and actual high pressure levels
- Error code display
- Operating mode indicator
- Total number of connected indoor units (for multi zone systems)
- Communication indicator lights
- Unit error code
- Indoor unit capacity
- Indoor unit operating mode
- Indoor unit fan speed
- Indoor unit room temperature
- Indoor unit inlet pipe temperature
- Indoor unit outlet pipe temperature



Additional screens can be accessed by tabs on the main screen:

1. Cycleview: Graphic of internal components including:
 - Compressors showing actual speeds
 - EEVs
 - IDUs
 - Low and high pressures
 - Temperature and pressure sensors
 - Four-way reversing valve
 - Outdoor fans showing status and speeds
2. Setting: Converts metric values to imperial values.
3. Making Data: Recording of real time data to a separate file created to be stored on the user's computer.
4. Loading Data: Recorded data from a saved ".CSV" file can be loaded to create an LGMV session.
5. Electrical Data: The lower half of main screen is changed to show the following:
 - Inverter compressor
 - Amps
 - Volts
 - Power Hz
 - Inverter control board fan Hz

The software is available in a high version with all of the features listed above. The low version has all features as the high version without Target High Pressure and Target Low Pressure values shown on main screen.

In lieu of connecting to the ODU, user has the option to connect to IDU with the use of a USB to RS-485 connector kit. When connected through IDU, user will not be able to record data.

This software can be used to both commission new systems and troubleshoot existing systems. LGMV data can be recorded to a ".CSV" file and emailed to an LG representative to assist with diagnostic evaluations.

Recommended Minimum PC Configuration:

- CPU: Pentium® IV 1.6 GHz
- Operating System: Windows® NT/2000/XP/Vista
- Main Memory: 256 MB
- Hard Disk: 600 MB when operating
- Web Browser: Internet Explorer® 5.0

PERFORMANCE DATA

[“Cooling Capacity Data” on page 40](#)

[“Heating Capacity Data” on page 43](#)

PERFORMANCE DATA

Cooling Capacity

LS090HEV1, LS120HEV1

Table 11: LSN090HEV1/LSU120HEV1 Cooling Capacities.

Outdoor Air Temp. (°F DB)	Indoor Air Temperature (°F DB/ °F WB)																				
	64 / 53			68 / 57			72 / 61			77 / 64			80 / 67			86 / 72			90 / 75		
	TC	SHC	PI	TC	SHC	PI	TC	SHC	PI	TC	SHC	PI	TC	SHC	PI	TC	SHC	PI	TC	SHC	PI
14	5.20	4.11	0.29	5.59	4.41	0.30	5.98	4.72	0.31	6.37	5.03	0.32	6.55	5.17	0.33	7.15	5.64	0.34	7.54	5.95	0.35
23	5.59	4.41	0.29	6.00	4.74	0.30	6.42	5.07	0.31	6.84	5.40	0.31	7.03	5.55	0.32	7.68	6.06	0.34	8.10	6.39	0.35
25	5.67	4.47	0.29	6.08	4.80	0.30	6.50	5.13	0.31	6.92	5.46	0.32	7.11	5.61	0.33	7.76	6.12	0.34	8.18	6.45	0.35
30	5.89	4.64	0.32	6.31	4.98	0.32	6.74	5.32	0.33	7.15	5.64	0.34	7.35	5.80	0.36	8.00	6.31	0.37	8.45	6.67	0.38
35	6.11	4.82	0.34	6.55	5.16	0.35	6.98	5.51	0.36	7.39	5.83	0.37	7.59	5.99	0.38	8.24	6.50	0.39	8.72	6.88	0.41
40	6.33	4.99	0.36	6.78	5.35	0.37	7.23	5.70	0.38	7.62	6.01	0.39	7.83	6.18	0.40	8.49	6.70	0.42	8.99	7.09	0.43
45	6.55	5.17	0.38	7.01	5.53	0.39	7.47	5.89	0.40	7.85	6.19	0.42	8.07	6.37	0.43	8.73	6.89	0.45	9.26	7.31	0.46
50	6.77	5.34	0.40	7.24	5.71	0.41	7.71	6.08	0.43	8.08	6.38	0.44	8.31	6.56	0.45	8.97	7.08	0.47	9.54	7.52	0.49
55	6.99	5.51	0.42	7.47	5.89	0.44	7.95	6.27	0.45	8.31	6.56	0.46	8.55	6.74	0.48	9.22	7.27	0.50	9.81	7.74	0.51
60	7.21	5.69	0.44	7.70	6.07	0.46	8.19	6.46	0.47	8.55	6.74	0.49	8.79	6.93	0.50	9.46	7.46	0.52	10.08	7.95	0.54
65	7.43	5.86	0.47	7.93	6.26	0.48	8.43	6.65	0.50	8.78	6.93	0.51	9.03	7.12	0.53	9.70	7.65	0.55	10.35	8.17	0.56
70	7.65	6.04	0.49	8.16	6.44	0.50	8.67	6.84	0.52	9.01	7.11	0.53	9.27	7.31	0.55	9.95	7.85	0.57	10.63	8.38	0.59
75	7.55	5.96	0.50	8.06	6.36	0.52	8.58	6.77	0.53	8.93	7.04	0.55	9.18	7.24	0.57	9.82	7.75	0.59	10.54	8.32	0.61
80	7.35	5.80	0.52	7.86	6.21	0.54	8.38	6.61	0.56	8.76	6.91	0.57	9.10	7.18	0.59	9.69	7.65	0.62	10.37	8.18	0.63
85	7.16	5.65	0.56	7.67	6.05	0.58	8.18	6.45	0.60	8.59	6.77	0.61	8.93	7.04	0.63	9.56	7.54	0.66	10.21	8.06	0.68
90	6.96	5.49	0.58	7.47	5.89	0.60	7.98	6.30	0.62	8.42	6.64	0.64	8.76	6.91	0.66	9.44	7.44	0.69	10.01	7.90	0.71
95	6.75	5.33	0.60	7.26	5.73	0.62	7.76	6.12	0.64	8.27	6.52	0.66	8.50	6.71	0.68	9.28	7.32	0.71	9.78	7.72	0.73
100	6.57	5.19	0.61	7.08	5.59	0.63	7.59	5.99	0.65	8.09	6.38	0.67	8.39	6.62	0.69	9.10	7.18	0.72	9.61	7.58	0.74
105	6.40	5.05	0.62	6.90	5.45	0.64	7.41	5.85	0.66	7.91	6.24	0.68	8.28	6.53	0.70	8.93	7.04	0.73	9.43	7.44	0.75
110	6.22	4.91	0.63	6.73	5.31	0.65	7.23	5.71	0.67	7.74	6.11	0.69	8.10	6.39	0.71	8.75	6.90	0.74	9.25	7.30	0.76
115	6.04	4.77	0.64	6.55	5.17	0.65	7.06	5.57	0.68	7.56	5.97	0.70	7.93	6.25	0.72	8.57	6.76	0.75	9.08	7.16	0.77
118	5.87	4.63	0.64	6.38	5.03	0.66	6.80	5.37	0.68	7.31	5.77	0.70	7.65	6.04	0.72	8.29	6.54	0.75	8.76	6.91	0.78
122	5.59	4.41	0.64	6.07	4.79	0.66	6.54	5.16	0.68	7.02	5.54	0.71	7.37	5.81	0.73	7.98	6.30	0.76	8.46	6.67	0.78

Table 12: LSN120HEV1/LSU120HEV1 Cooling Capacities.

Outdoor Air Temp. (°F DB)	Indoor Air Temperature (°F DB/ °F WB)																				
	64 / 53			68 / 57			72 / 61			77 / 64			80 / 67			86 / 72			90 / 75		
	TC	SHC	PI	TC	SHC	PI	TC	SHC	PI	TC	SHC	PI	TC	SHC	PI	TC	SHC	PI	TC	SHC	PI
14	7.35	5.50	0.48	7.90	5.91	0.50	8.45	6.33	0.51	9.00	6.74	0.53	9.25	6.93	0.55	10.10	7.56	0.57	10.65	7.97	0.59
23	7.89	5.91	0.48	8.48	6.35	0.50	9.07	6.79	0.51	9.66	7.23	0.53	9.93	7.44	0.54	10.84	8.12	0.57	11.43	8.56	0.58
25	8.00	5.99	0.49	8.59	6.43	0.51	9.18	6.88	0.52	9.77	7.32	0.54	10.04	7.52	0.55	10.95	8.20	0.58	11.54	8.65	0.59
30	8.31	6.22	0.53	8.92	6.68	0.54	9.52	7.13	0.56	10.10	7.56	0.58	10.38	7.77	0.60	11.30	8.46	0.62	11.93	8.93	0.64
35	8.62	6.46	0.56	9.24	6.92	0.58	9.86	7.39	0.60	10.43	7.81	0.62	10.72	8.03	0.64	11.64	8.72	0.66	12.31	9.22	0.68
40	8.93	6.69	0.60	9.57	7.17	0.62	10.20	7.64	0.64	10.75	8.05	0.66	11.05	8.28	0.68	11.98	8.97	0.70	12.70	9.51	0.73
45	9.24	6.92	0.64	9.89	7.41	0.66	10.54	7.89	0.68	11.08	8.30	0.70	11.39	8.53	0.72	12.32	9.23	0.75	13.08	9.80	0.77
50	9.56	7.16	0.67	10.22	7.65	0.69	10.88	8.15	0.72	11.41	8.55	0.74	11.73	8.79	0.76	12.67	9.49	0.79	13.46	10.08	0.81
55	9.87	7.39	0.71	10.54	7.90	0.73	11.22	8.40	0.75	11.74	8.79	0.78	12.07	9.04	0.80	13.01	9.74	0.83	13.85	10.37	0.86
60	10.18	7.62	0.75	10.87	8.14	0.77	11.56	8.66	0.79	12.06	9.04	0.82	12.40	9.29	0.84	13.35	10.00	0.88	14.23	10.66	0.90
65	10.49	7.86	0.78	11.19	8.38	0.81	11.90	8.91	0.83	12.39	9.28	0.86	12.74	9.54	0.88	13.70	10.26	0.92	14.62	10.95	0.95
70	10.80	8.09	0.82	11.52	8.63	0.84	12.24	9.17	0.87	12.72	9.53	0.90	13.08	9.80	0.92	14.04	10.52	0.96	15.00	11.24	0.99
75	10.66	7.99	0.84	11.38	8.53	0.87	12.11	9.07	0.89	12.60	9.44	0.92	12.96	9.71	0.95	13.86	10.38	0.99	14.88	11.15	1.02
80	10.38	7.78	0.88	11.10	8.32	0.91	11.82	8.86	0.93	12.36	9.26	0.96	12.84	9.62	0.99	13.68	10.25	1.03	14.64	10.97	1.06
85	10.11	7.57	0.94	10.83	8.11	0.97	11.54	8.65	1.00	12.12	9.08	1.03	12.60	9.44	1.06	13.50	10.11	1.10	14.42	10.80	1.14
90	9.83	7.36	0.98	10.55	7.90	1.01	11.26	8.44	1.04	11.88	8.90	1.07	12.36	9.26	1.11	13.32	9.98	1.15	14.13	10.59	1.18
95	9.53	7.14	1.01	10.25	7.67	1.04	10.96	8.21	1.07	11.67	8.74	1.11	12.00	8.99	1.14	13.10	9.81	1.19	13.81	10.35	1.22
100	9.28	6.95	1.03	10.00	7.49	1.06	10.71	8.02	1.09	11.42	8.56	1.12	11.84	8.87	1.16	12.85	9.63	1.21	13.56	10.16	1.24
105	9.03	6.77	1.04	9.75	7.30	1.08	10.46	7.83	1.11	11.17	8.37	1.14	11.69	8.76	1.18	12.60	9.44	1.23	13.31	9.97	1.26
110	8.78	6.58	1.05	9.50	7.11	1.09	10.21	7.65	1.12	10.92	8.18	1.16	11.44	8.57	1.19	12.35	9.25	1.24	13.07	9.79	1.28
115	8.53	6.39	1.06	9.25	6.93	1.10	9.96	7.46	1.13	10.67	8.00	1.17	11.19	8.38	1.20	12.10	9.06	1.25	12.82	9.60	1.29
118	8.28	6.20	1.07	9.00	6.74	1.11	9.60	7.19	1.14	10.32	7.73	1.18	10.80	8.09	1.21	11.70	8.76	1.26	12.36	9.26	1.30
122	7.89	5.91	1.08	8.56	6.41	1.11	9.24	6.92	1.15	9.91	7.43	1.18	10.40	7.79	1.22	11.27	8.44	1.27	11.94	8.94	1.31

DB: Dry Bulb Temperature (°F) WB: Wet Bulb Temperature (°F) TC: Total Capacity (kBtu/h)
 SHC: Sensible Capacity (kBtu/h) PI: Power Input (kW) (includes compressor, indoor fan motor and outdoor fan motor)
 1. All capacities are net, evaporator fan motor heat is deducted.
 2. Grey shading indicates reference data. When operating the unit at this temperature, these values can be different by discontinuous operation.

3. Direct interpolation is permissible. Do not extrapolate.
 Nominal capacity as rated: 0 ft. above sea level with 25 ft. of refrigerant piping.
 0 ft. level difference between outdoor and indoor units.
 Nominal cooling capacity rating obtained with air entering the indoor unit at 80°F dry bulb (DB) and 67°F wet bulb (WB), and outdoor ambient conditions of 95°F dry bulb (DB) and 75°F wet bulb (WB).

PERFORMANCE DATA

Cooling Capacity

LS180HEV1, LS240HEV1

Table 13: LSN0180HEV1/LSU180HEV1 Cooling Capacities.

Outdoor Air Temp. (°F DB)	Indoor Air Temperature (°F DB/ °F WB)																				
	64 / 53			68 / 57			72 / 61			77 / 64			80 / 67			86 / 72			90 / 75		
	TC	SHC	PI	TC	SHC	PI	TC	SHC	PI	TC	SHC	PI	TC	SHC	PI	TC	SHC	PI	TC	SHC	PI
14	10.41	8.12	6.58	11.19	8.73	6.78	11.97	9.33	6.99	12.75	9.94	7.21	13.10	10.22	7.43	14.30	11.16	7.73	15.08	11.76	7.96
23	11.17	8.72	6.55	12.01	9.37	6.75	12.85	10.02	6.96	13.68	10.67	7.18	14.07	10.97	7.40	15.36	11.98	7.70	16.19	12.63	7.93
25	11.33	8.84	6.69	12.17	9.49	6.89	13.01	10.14	7.10	13.84	10.80	7.32	14.23	11.10	7.54	15.52	12.10	7.84	16.35	12.75	8.07
30	11.77	9.18	7.18	12.63	9.85	7.40	13.49	10.52	7.63	14.31	11.16	7.86	14.70	11.47	8.10	16.00	12.48	8.42	16.90	13.18	8.67
35	12.21	9.53	7.68	13.09	10.21	7.91	13.97	10.90	8.15	14.77	11.52	8.40	15.18	11.84	8.66	16.49	12.86	9.00	17.44	13.60	9.26
40	12.65	9.87	8.17	13.55	10.57	8.42	14.45	11.27	8.67	15.23	11.88	8.94	15.66	12.22	9.21	16.97	13.24	9.58	17.98	14.03	9.86
45	13.10	10.21	8.66	14.01	10.93	8.93	14.93	11.65	9.20	15.70	12.25	9.48	16.14	12.59	9.77	17.46	13.62	10.16	18.53	14.45	10.46
50	13.54	10.56	9.15	14.47	11.29	9.43	15.41	12.02	9.72	16.16	12.61	10.02	16.62	12.96	10.33	17.95	14.00	10.74	19.07	14.88	11.06
55	13.98	10.90	9.64	14.94	11.65	9.94	15.90	12.40	10.25	16.63	12.97	10.56	17.10	13.33	10.89	18.43	14.38	11.32	19.62	15.30	11.66
60	14.42	11.25	10.14	15.40	12.01	10.45	16.38	12.77	10.77	17.09	13.33	11.10	17.57	13.71	11.45	18.92	14.76	11.90	20.16	15.73	12.26
65	14.86	11.59	10.63	15.86	12.37	10.96	16.86	13.15	11.29	17.56	13.69	11.64	18.05	14.08	12.00	19.40	15.14	12.48	20.71	16.15	12.86
70	15.30	11.93	11.12	16.32	12.73	11.46	17.34	13.53	11.82	18.02	14.06	12.18	18.53	14.45	12.56	19.89	15.51	13.06	21.25	16.58	13.46
75	15.10	11.78	11.44	16.13	12.58	11.79	17.15	13.38	12.16	17.85	13.92	12.54	18.36	14.32	12.92	19.64	15.32	13.44	21.08	16.44	13.84
80	14.71	11.47	11.94	15.73	12.27	12.31	16.75	13.07	12.69	17.51	13.66	13.08	18.19	14.19	13.49	19.38	15.12	14.02	20.74	16.18	14.45
85	14.32	11.17	12.76	15.34	11.96	13.16	16.35	12.76	13.56	17.17	13.39	13.98	17.85	13.92	14.42	19.13	14.92	14.99	20.43	15.93	15.44
90	13.93	10.86	13.31	14.94	11.65	13.72	15.96	12.45	14.15	16.83	13.13	14.58	17.51	13.66	15.04	18.87	14.72	15.64	20.02	15.62	16.11
95	13.50	10.53	13.72	14.51	11.32	14.15	15.52	12.11	14.58	16.54	12.90	15.04	17.00	13.26	15.50	18.56	14.48	16.12	19.57	15.26	16.60
100	13.15	10.26	13.95	14.16	11.05	14.38	15.17	11.83	14.83	16.18	12.62	15.29	16.78	13.09	15.76	18.20	14.20	16.39	19.22	14.99	16.88
105	12.80	9.98	14.18	13.81	10.77	14.62	14.82	11.56	15.07	15.83	12.35	15.54	16.56	12.92	16.02	17.85	13.92	16.66	18.86	14.71	17.16
110	12.44	9.71	14.34	13.45	10.49	14.78	14.46	11.28	15.24	15.48	12.07	15.71	16.21	12.64	16.20	17.50	13.65	16.85	18.51	14.44	17.35
115	12.09	9.43	14.48	13.10	10.22	14.92	14.11	11.01	15.39	15.12	11.80	15.86	15.85	12.37	16.35	17.14	13.37	17.01	18.16	14.16	17.52
118	11.73	9.15	14.61	12.75	9.95	15.07	13.60	10.61	15.53	14.62	11.40	16.01	15.30	11.93	16.51	16.58	12.93	17.17	17.51	13.66	17.68
122	11.17	8.71	14.68	12.13	9.46	15.14	13.09	10.21	15.60	14.04	10.95	16.09	14.74	11.49	16.59	15.96	12.45	17.25	16.92	13.19	17.77

Table 14: LSN240HEV1/LSU240HEV1 Cooling Capacities.

Outdoor Air Temp. (°F DB)	Indoor Air Temperature (°F DB/ °F WB)																				
	64 / 53			68 / 57			72 / 61			77 / 64			80 / 67			86 / 72			90 / 75		
	TC	SHC	PI	TC	SHC	PI	TC	SHC	PI	TC	SHC	PI	TC	SHC	PI	TC	SHC	PI	TC	SHC	PI
14	13.47	9.92	8.68	14.48	10.67	8.95	15.49	11.41	9.22	16.49	12.15	9.51	16.96	12.49	9.80	18.51	13.64	10.19	19.52	14.38	10.50
23	14.46	10.65	8.64	15.54	11.45	8.91	16.62	12.25	9.19	17.71	13.05	9.47	18.20	13.41	9.76	19.87	14.64	10.15	20.96	15.44	10.46
25	14.66	10.80	8.83	15.75	11.60	9.10	16.83	12.40	9.37	17.91	13.20	9.66	18.41	13.56	9.95	20.08	14.79	10.34	21.16	15.59	10.64
30	15.24	11.23	9.48	16.34	12.04	9.77	17.45	12.86	10.06	18.51	13.64	10.37	19.03	14.02	10.68	20.71	15.26	11.10	21.87	16.11	11.43
35	15.81	11.65	10.13	16.94	12.48	10.44	18.08	13.32	10.75	19.11	14.08	11.08	19.65	14.48	11.42	21.34	15.72	11.87	22.57	16.63	12.22
40	16.38	12.07	10.78	17.54	12.92	11.11	18.70	13.78	11.45	19.72	14.53	11.80	20.27	14.93	12.16	21.97	16.18	12.64	23.27	17.15	13.01
45	16.95	12.49	11.43	18.14	13.36	11.78	19.32	14.24	12.14	20.32	14.97	12.51	20.89	15.39	12.89	22.59	16.65	13.40	23.98	17.67	13.80
50	17.52	12.91	12.07	18.73	13.80	12.45	19.95	14.70	12.83	20.92	15.41	13.22	21.50	15.84	13.63	23.22	17.11	14.17	24.68	18.19	14.59
55	18.09	13.33	12.72	19.33	14.24	13.12	20.57	15.16	13.52	21.52	15.85	13.94	22.12	16.30	14.36	23.85	17.57	14.94	25.39	18.71	15.38
60	18.66	13.75	13.37	19.93	14.68	13.79	21.19	15.62	14.21	22.12	16.30	14.65	22.74	16.76	15.10	24.48	18.04	15.70	26.09	19.22	16.17
65	19.23	14.17	14.02	20.52	15.12	14.46	21.82	16.07	14.90	22.72	16.74	15.36	23.36	17.21	15.84	25.11	18.50	16.47	26.80	19.74	16.96
70	19.80	14.59	14.67	21.12	15.56	15.13	22.44	16.53	15.59	23.32	17.18	16.08	23.98	17.67	16.57	25.74	18.97	17.24	27.50	20.26	17.75
75	19.55	14.40	15.09	20.87	15.38	15.56	22.20	16.35	16.04	23.10	17.02	16.54	23.76	17.51	17.05	25.41	18.72	17.73	27.28	20.10	18.26
80	19.03	14.02	15.75	20.36	15.00	16.24	21.68	15.97	16.74	22.66	16.70	17.26	23.54	17.34	17.79	25.08	18.48	18.50	26.84	19.78	19.06
85	18.53	13.65	16.84	19.85	14.62	17.36	21.16	15.59	17.89	22.22	16.37	18.45	23.10	17.02	19.02	24.75	18.24	19.78	26.44	19.48	20.37
90	18.02	13.28	17.56	19.34	14.25	18.10	20.65	15.22	18.66	21.78	16.05	19.24	22.66	16.70	19.84	24.42	17.99	20.63	25.91	19.09	21.25
95	17.47	12.87	18.10	18.78	13.84	18.66	20.09	14.80	19.24	21.40	15.77	19.84	22.00	16.21	20.45	24.02	17.70	21.27	25.33	18.66	21.91
100	17.02	12.54	18.41	18.33	13.50	18.98	19.63	14.47	19.56	20.94	15.43	20.17	21.71	16.00	20.79	23.56	17.36	21.62	24.87	18.32	22.27
105	16.56	12.20	18.71	17.87	13.17	19.29	19.18	14.13	19.89	20.48	15.09	20.50	21.43	15.79	21.13	23.10	17.02	21.98	24.41	17.99	22.64
110	16.10	11.86	18.92	17.41	12.83	19.50	18.72	13.79	20.11	20.03	14.76	20.73	20.97	15.45	21.37	22.64	16.68	22.23	23.95	17.65	22.89
115	15.64	11.53	19.10	16.95	12.49	19.69	18.26	13.46	20.30	19.57	14.42	20.93	20.52	15.12	21.57	22.19	16.35	22.44	23.50	17.31	23.11
118	15.18	11.18	19.28	16.50	12.16	19.88	17.60	12.97	20.49	18.92	13.94	21.13	19.80	14.59	21.78	21.45	15.80	22.65	22.66	16.70	23.33
122	14.46	10.65	19.37	15.70	11.57	19.97	16.94	12.48	20.59	18.18	13.39	21.23	19.07	14.05	21.88	20.65	15.22	22.76	21.89	16.13	23.44

DB: Dry Bulb Temperature (°F) WB: Wet Bulb Temperature (°F) TC: Total Capacity (kBtu/h)
 SHC: Sensible Capacity (kBtu/h) PI: Power Input (kW) (includes compressor, indoor fan motor and outdoor fan motor)

1. All capacities are net, evaporator fan motor heat is deducted.
 2. Grey shading indicates reference data. When operating the unit at this temperature, these values can be different by discontinuous operation.

3. Direct interpolation is permissible. Do not extrapolate.

Nominal capacity as rated: 0 ft. above sea level with 25 ft. of refrigerant piping.
 0 ft. level difference between outdoor and indoor units.

Nominal cooling capacity rating obtained with air entering the indoor unit at 80°F dry bulb (DB) and 67°F wet bulb (WB), and outdoor ambient conditions of 95°F dry bulb (DB) and 75°F wet bulb (WB).

PERFORMANCE DATA

Cooling Capacity

LS090HXV, LS120HXV

Table 15: LSN090HXV/LSU090HXV Cooling Capacities.

Outdoor Air Temp. (°F DB)	Indoor Air Temperature (°F DB/ °F WB)																				
	64 / 53			68 / 57			72 / 61			77 / 64			80 / 67			86 / 72			90 / 75		
	TC	SHC	PI	TC	SHC	PI	TC	SHC	PI	TC	SHC	PI	TC	SHC	PI	TC	SHC	PI	TC	SHC	PI
14	5.20	4.58	0.30	5.59	4.92	0.31	5.98	5.26	0.32	6.37	5.61	0.33	6.55	5.77	0.34	7.15	6.29	0.35	7.54	6.64	0.36
23	5.59	4.92	0.30	6.00	5.28	0.31	6.42	5.65	0.32	6.84	6.02	0.33	7.03	6.19	0.34	7.68	6.76	0.35	8.10	7.13	0.36
25	5.67	4.99	0.31	6.08	5.35	0.31	6.50	5.72	0.32	6.92	6.09	0.33	7.11	6.26	0.34	7.76	6.83	0.36	8.18	7.19	0.37
30	5.89	5.18	0.33	6.31	5.56	0.34	6.74	5.93	0.35	7.15	6.29	0.36	7.35	6.47	0.37	8.00	7.04	0.38	8.45	7.43	0.40
35	6.11	5.37	0.35	6.55	5.76	0.36	6.98	6.15	0.37	7.39	6.50	0.38	7.59	6.68	0.40	8.24	7.25	0.41	8.72	7.67	0.42
40	6.33	5.57	0.37	6.78	5.96	0.38	7.23	6.36	0.40	7.62	6.70	0.41	7.83	6.89	0.42	8.49	7.47	0.44	8.99	7.91	0.45
45	6.55	5.76	0.40	7.01	6.17	0.41	7.47	6.57	0.42	7.85	6.91	0.43	8.07	7.10	0.45	8.73	7.68	0.46	9.26	8.15	0.48
50	6.77	5.96	0.42	7.24	6.37	0.43	7.71	6.78	0.44	8.08	7.11	0.46	8.31	7.31	0.47	8.97	7.90	0.49	9.54	8.39	0.51
55	6.99	6.15	0.44	7.47	6.57	0.45	7.95	6.99	0.47	8.31	7.32	0.48	8.55	7.52	0.50	9.22	8.11	0.52	9.81	8.63	0.53
60	7.21	6.34	0.46	7.70	6.77	0.48	8.19	7.21	0.49	8.55	7.52	0.51	8.79	7.73	0.52	9.46	8.32	0.54	10.08	8.87	0.56
65	7.43	6.54	0.49	7.93	6.98	0.50	8.43	7.42	0.52	8.78	7.72	0.53	9.03	7.94	0.55	9.70	8.54	0.57	10.35	9.11	0.59
70	7.65	6.73	0.51	8.16	7.18	0.52	8.67	7.63	0.54	9.01	7.93	0.56	9.27	8.15	0.57	9.95	8.75	0.60	10.63	9.35	0.61
75	7.55	6.65	0.52	8.06	7.10	0.54	8.58	7.55	0.56	8.93	7.85	0.57	9.18	8.08	0.59	9.82	8.64	0.61	10.54	9.28	0.63
80	7.35	6.47	0.55	7.86	6.92	0.56	8.38	7.37	0.58	8.76	7.70	0.60	9.10	8.00	0.62	9.69	8.53	0.64	10.37	9.13	0.66
85	7.16	6.30	0.58	7.67	6.75	0.60	8.18	7.20	0.62	8.59	7.55	0.64	8.93	7.85	0.66	9.56	8.42	0.68	10.21	8.99	0.71
90	6.96	6.13	0.61	7.47	6.57	0.63	7.98	7.02	0.65	8.42	7.41	0.67	8.76	7.70	0.69	9.44	8.30	0.71	10.01	8.81	0.74
95	6.75	5.94	0.63	7.26	6.39	0.65	7.76	6.83	0.67	8.27	7.28	0.69	8.50	7.48	0.71	9.28	8.17	0.74	9.78	8.61	0.76
100	6.57	5.79	0.64	7.08	6.23	0.66	7.59	6.68	0.68	8.09	7.12	0.70	8.39	7.38	0.72	9.10	8.01	0.75	9.61	8.46	0.77
105	6.40	5.63	0.65	6.90	6.08	0.67	7.41	6.52	0.69	7.91	6.96	0.71	8.28	7.29	0.73	8.93	7.85	0.76	9.43	8.30	0.78
110	6.22	5.47	0.65	6.73	5.92	0.68	7.23	6.36	0.70	7.74	6.81	0.72	8.10	7.13	0.74	8.75	7.70	0.77	9.25	8.14	0.79
115	6.04	5.32	0.66	6.55	5.76	0.68	7.06	6.21	0.70	7.56	6.65	0.72	7.93	6.98	0.75	8.57	7.54	0.78	9.08	7.99	0.80
118	5.87	5.16	0.67	6.38	5.61	0.69	6.80	5.98	0.71	7.31	6.43	0.73	7.65	6.73	0.75	8.29	7.29	0.78	8.76	7.70	0.81
122	5.59	4.92	0.67	6.07	5.34	0.69	6.54	5.76	0.71	7.02	6.18	0.73	7.37	6.48	0.76	7.98	7.02	0.79	8.46	7.44	0.81

Table 16: LSN120HXV/LSU120HXV Cooling Capacities.

Outdoor Air Temp. (°F DB)	Indoor Air Temperature (°F DB/ °F WB)																				
	64 / 53			68 / 57			72 / 61			77 / 64			80 / 67			86 / 72			90 / 75		
	TC	SHC	PI	TC	SHC	PI	TC	SHC	PI	TC	SHC	PI	TC	SHC	PI	TC	SHC	PI	TC	SHC	PI
14	7.35	5.66	0.49	7.90	6.08	0.50	8.45	6.50	0.52	9.00	6.93	0.53	9.25	7.12	0.55	10.10	7.77	0.57	10.65	8.20	0.59
23	7.89	6.07	0.48	8.48	6.53	0.50	9.07	6.98	0.51	9.66	7.44	0.53	9.93	7.65	0.55	10.84	8.35	0.57	11.43	8.80	0.58
25	8.00	6.16	0.49	8.59	6.61	0.51	9.18	7.07	0.52	9.77	7.52	0.54	10.04	7.73	0.56	10.95	8.43	0.58	11.54	8.89	0.59
30	8.31	6.40	0.53	8.92	6.86	0.55	9.52	7.33	0.56	10.10	7.78	0.58	10.38	7.99	0.60	11.30	8.70	0.62	11.93	9.18	0.64
35	8.62	6.64	0.57	9.24	7.12	0.58	9.86	7.59	0.60	10.43	8.03	0.62	10.72	8.25	0.64	11.64	8.96	0.66	12.31	9.48	0.68
40	8.93	6.88	0.60	9.57	7.37	0.62	10.20	7.85	0.64	10.75	8.28	0.66	11.05	8.51	0.68	11.98	9.23	0.71	12.70	9.78	0.73
45	9.24	7.12	0.64	9.89	7.62	0.66	10.54	8.12	0.68	11.08	8.53	0.70	11.39	8.77	0.72	12.32	9.49	0.75	13.08	10.07	0.77
50	9.56	7.36	0.67	10.22	7.87	0.70	10.88	8.38	0.72	11.41	8.79	0.74	11.73	9.03	0.76	12.67	9.75	0.79	13.46	10.37	0.82
55	9.87	7.60	0.71	10.54	8.12	0.73	11.22	8.64	0.76	11.74	9.04	0.78	12.07	9.29	0.80	13.01	10.02	0.83	13.85	10.66	0.86
60	10.18	7.84	0.75	10.87	8.37	0.77	11.56	8.90	0.79	12.06	9.29	0.82	12.40	9.55	0.84	13.35	10.28	0.88	14.23	10.96	0.90
65	10.49	8.08	0.78	11.19	8.62	0.81	11.90	9.16	0.83	12.39	9.54	0.86	12.74	9.81	0.89	13.70	10.55	0.92	14.62	11.25	0.95
70	10.80	8.32	0.82	11.52	8.87	0.85	12.24	9.42	0.87	12.72	9.79	0.90	13.08	10.07	0.93	14.04	10.81	0.96	15.00	11.55	0.99
75	10.66	8.21	0.84	11.38	8.77	0.87	12.11	9.32	0.90	12.60	9.70	0.92	12.96	9.98	0.95	13.86	10.67	0.99	14.88	11.46	1.02
80	10.38	7.99	0.88	11.10	8.55	0.91	11.82	9.10	0.94	12.36	9.52	0.96	12.84	9.89	0.99	13.68	10.53	1.03	14.64	11.27	1.07
85	10.11	7.78	0.94	10.83	8.34	0.97	11.54	8.89	1.00	12.12	9.33	1.03	12.60	9.70	1.06	13.50	10.40	1.11	14.42	11.10	1.14
90	9.83	7.57	0.98	10.55	8.12	1.01	11.26	8.67	1.04	11.88	9.15	1.08	12.36	9.52	1.11	13.32	10.26	1.15	14.13	10.88	1.19
95	9.53	7.34	1.01	10.25	7.89	1.04	10.96	8.44	1.08	11.67	8.99	1.11	12.00	9.24	1.14	13.10	10.09	1.19	13.81	10.64	1.22
100	9.28	7.15	1.03	10.00	7.70	1.06	10.71	8.25	1.09	11.42	8.80	1.13	11.84	9.12	1.16	12.85	9.89	1.21	13.56	10.44	1.24
105	9.03	6.95	1.05	9.75	7.50	1.08	10.46	8.05	1.11	11.17	8.60	1.15	11.69	9.00	1.18	12.60	9.70	1.23	13.31	10.25	1.27
110	8.78	6.76	1.06	9.50	7.31	1.09	10.21	7.86	1.12	10.92	8.41	1.16	11.44	8.81	1.19	12.35	9.51	1.24	13.07	10.06	1.28
115	8.53	6.57	1.07	9.25	7.12	1.10	9.96	7.67	1.13	10.67	8.22	1.17	11.19	8.62	1.21	12.10	9.32	1.25	12.82	9.87	1.29
118	8.28	6.38	1.08	9.00	6.93	1.11	9.60	7.39	1.15	10.32	7.95	1.18	10.80	8.32	1.22	11.70	9.01	1.27	12.36	9.52	1.30
122	7.89	6.07	1.08	8.56	6.59	1.12	9.24	7.11	1.15	9.91	7.63	1.19	10.40	8.01	1.22	11.27	8.67	1.27	11.94	9.19	1.31

DB: Dry Bulb Temperature (°F) WB: Wet Bulb Temperature (°F) TC: Total Capacity (kBtu/h)
 SHC: Sensible Capacity (kBtu/h) PI: Power Input (kW) (includes compressor, indoor fan motor and outdoor fan motor)

- All capacities are net, evaporator fan motor heat is deducted.
- Grey shading indicates reference data. When operating the unit at this temperature, these values can be different by discontinuous operation.

3. Direct interpolation is permissible. Do not extrapolate.
 Nominal capacity as rated: 0 ft. above sea level with 25 ft. of refrigerant piping.
 0 ft. level difference between outdoor and indoor units.
 Nominal cooling capacity rating obtained with air entering the indoor unit at 80°F dry bulb (DB) and 67°F wet bulb (WB), and outdoor ambient conditions of 95°F dry bulb (DB) and 75°F wet bulb (WB).

PERFORMANCE DATA

Heating Capacity

LS090HEV1, LS120HEV1, LS180HEV1

Table 17: LSN090HEV1/LSU090HEV1 Heating Capacities.

Outdoor Air Temp.		Indoor Air Temperature (°F DB)													
°F DB	°F WB	60		64		68		70		72		75		86	
		TC	PI	TC	PI	TC	PI	TC	PI	TC	PI	TC	PI	TC	PI
16	14	5.70	0.62	5.52	0.62	5.47	0.62	5.41	0.61	5.37	0.61	5.26	0.60	5.14	0.60
19	17	5.81	0.64	5.64	0.64	5.58	0.64	5.52	0.63	5.48	0.63	5.37	0.62	5.24	0.62
24	23	6.37	0.67	6.18	0.66	6.12	0.66	6.06	0.65	6.01	0.65	5.89	0.65	5.75	0.65
32	30	7.64	0.72	7.41	0.71	7.33	0.71	7.26	0.70	7.21	0.70	7.06	0.70	6.89	0.70
41	38	8.77	0.77	8.50	0.76	8.41	0.76	8.33	0.75	8.27	0.75	8.10	0.74	7.91	0.74
43	40	9.05	0.78	8.77	0.77	8.68	0.77	8.60	0.76	8.53	0.76	8.36	0.75	8.16	0.75
47	43	9.47	0.80	9.18	0.79	9.09	0.79	9.00	0.78	8.93	0.78	8.75	0.77	8.54	0.77
53	50	9.57	0.80	9.27	0.80	9.18	0.80	9.09	0.79	9.02	0.79	8.84	0.78	8.63	0.78
59	53	9.78	0.81	9.49	0.80	9.39	0.80	9.30	0.80	9.23	0.80	9.04	0.79	8.83	0.79
64	57	9.99	0.83	9.69	0.82	9.59	0.82	9.50	0.81	9.42	0.81	9.23	0.80	9.01	0.80
70	61	10.18	0.84	9.87	0.83	9.77	0.83	9.68	0.82	9.60	0.82	9.41	0.81	9.18	0.81
75	65	10.32	0.85	10.01	0.84	9.91	0.84	9.81	0.83	9.74	0.83	9.54	0.83	9.31	0.83

Table 18: LSN120HEV1/LSU120HEV1 Heating Capacities.

Outdoor Air Temp.		Indoor Air Temperature (°F DB)													
°F DB	°F WB	60		64		68		70		72		75		86	
		TC	PI	TC	PI	TC	PI	TC	PI	TC	PI	TC	PI	TC	PI
16	14	7.59	0.78	7.36	0.77	7.29	0.77	7.22	0.77	7.16	0.77	7.02	0.76	6.85	0.76
19	17	7.75	0.81	7.51	0.80	7.44	0.80	7.36	0.79	7.31	0.79	7.16	0.78	6.99	0.78
24	23	8.50	0.84	8.24	0.83	8.16	0.83	8.08	0.82	8.02	0.82	7.85	0.81	7.67	0.81
32	30	10.19	0.90	9.88	0.89	9.78	0.89	9.68	0.89	9.61	0.89	9.41	0.88	9.19	0.88
41	38	11.69	0.96	11.33	0.95	11.22	0.95	11.11	0.94	11.02	0.94	10.80	0.93	10.55	0.93
43	40	12.06	0.98	11.70	0.97	11.58	0.97	11.47	0.96	11.38	0.96	11.15	0.95	10.88	0.95
47	43	12.63	1.00	12.24	0.99	12.12	0.99	12.00	0.98	11.91	0.98	11.67	0.97	11.39	0.97
53	50	12.75	1.01	12.37	1.00	12.24	1.00	12.12	0.99	12.03	0.99	11.79	0.98	11.51	0.98
59	53	13.04	1.02	12.65	1.01	12.52	1.01	12.40	1.00	12.30	1.00	12.05	0.99	11.77	0.99
64	57	13.32	1.04	12.92	1.03	12.79	1.03	12.66	1.02	12.56	1.02	12.31	1.01	12.02	1.01
70	61	13.57	1.05	13.16	1.04	13.03	1.04	12.90	1.03	12.80	1.03	12.54	1.02	12.25	1.02
75	65	13.76	1.07	13.35	1.06	13.21	1.06	13.08	1.05	12.98	1.05	12.72	1.04	12.42	1.04

Table 19: LSN180HEV1/LSU180HEV1 Heating Capacities.

Outdoor Air Temp.		Indoor Air Temperature (°F DB)													
°F DB	°F WB	60		64		68		70		72		75		86	
		TC	PI	TC	PI	TC	PI	TC	PI	TC	PI	TC	PI	TC	PI
16	14	12.02	12.69	11.66	12.57	11.54	12.57	11.43	12.44	11.34	12.44	11.11	12.32	10.85	12.32
19	17	12.27	13.08	11.90	12.96	11.78	12.96	11.66	12.83	11.57	12.83	11.34	12.70	11.07	12.70
24	23	13.46	13.57	13.05	13.43	12.92	13.43	12.79	13.30	12.69	13.30	12.44	13.17	12.14	13.17
32	30	16.13	14.65	15.64	14.51	15.48	14.51	15.33	14.36	15.21	14.36	14.91	14.22	14.55	14.22
41	38	18.51	15.62	17.95	15.46	17.76	15.46	17.59	15.31	17.45	15.31	17.10	15.16	16.70	15.16
43	40	19.10	15.86	18.52	15.70	18.33	15.70	18.15	15.55	18.01	15.55	17.65	15.39	17.23	15.39
47	43	19.99	16.22	19.39	16.06	19.19	16.06	19.00	15.90	18.85	15.90	18.48	15.74	18.04	15.74
53	50	20.19	16.38	19.58	16.22	19.38	16.22	19.19	16.06	19.04	16.06	18.66	15.90	18.22	15.90
59	53	20.65	16.54	20.03	16.38	19.82	16.38	19.63	16.22	19.48	16.22	19.09	16.06	18.63	16.06
64	57	21.09	16.87	20.45	16.70	20.25	16.70	20.05	16.54	19.89	16.54	19.49	16.37	19.03	16.37
70	61	21.49	17.11	20.84	16.94	20.63	16.94	20.43	16.77	20.27	16.77	19.86	16.61	19.39	16.61
75	65	21.79	17.35	21.13	17.18	20.92	17.18	20.71	17.01	20.55	17.01	20.14	16.84	19.66	16.84

DB: Dry Bulb Temperature (°F) WB: Wet Bulb Temperature (°F) TC: Total Capacity (kBtu/h)

PI: Power Input (kW) (includes compressor, indoor fan motor and outdoor fan motor)

1. All capacities are net, evaporator fan motor heat is deducted.

2. Direct interpolation is permissible. Do not extrapolate.

Nominal capacity as rated: 0 ft. above sea level with 25 ft. of refrigerant piping.
0 ft. level difference between outdoor and indoor units.

Nominal heating capacity rating obtained with air entering the indoor unit at 70°F dry bulb (DB) and 60°F wet bulb (WB), and outdoor ambient conditions of 47°F dry bulb (DB) and 43°F wet bulb (WB).



PERFORMANCE DATA

Heating Capacity

LS240HEV1, LS090HXV, LS120HXV

Table 20: LSN240HEV1/LSU240HEV1 Heating Capacities.

Outdoor Air Temp.		Indoor Air Temperature (°F DB)													
°F DB	°F WB	60		64		68		70		72		75		86	
		TC	PI	TC	PI	TC	PI	TC	PI	TC	PI	TC	PI	TC	PI
16	14	13.92	15.45	13.50	15.30	13.36	15.30	13.23	15.14	13.13	15.14	12.87	14.99	12.56	14.99
19	17	14.21	15.92	13.77	15.77	13.64	15.77	13.50	15.61	13.40	15.61	13.13	15.46	12.82	15.46
24	23	15.58	16.51	15.11	16.35	14.96	16.35	14.81	16.19	14.69	16.19	14.40	16.03	14.06	16.03
32	30	18.68	17.83	18.11	17.66	17.93	17.66	17.75	17.48	17.61	17.48	17.26	17.31	16.85	17.31
41	38	21.43	19.00	20.78	18.82	20.57	18.82	20.37	18.63	20.21	18.63	19.80	18.44	19.33	18.44
43	40	22.12	19.30	21.45	19.11	21.23	19.11	21.02	18.92	20.86	18.92	20.44	18.73	19.95	18.73
47	43	23.15	19.74	22.45	19.54	22.22	19.54	22.00	19.35	21.83	19.35	21.39	19.16	20.88	19.16
53	50	23.38	19.93	22.67	19.74	22.44	19.74	22.22	19.54	22.05	19.54	21.61	19.35	21.09	19.35
59	53	23.91	20.13	23.19	19.93	22.95	19.93	22.73	19.74	22.55	19.74	22.10	19.54	21.57	19.54
64	57	24.42	20.53	23.68	20.33	23.44	20.33	23.21	20.12	23.03	20.12	22.57	19.92	22.03	19.92
70	61	24.89	20.82	24.13	20.62	23.89	20.62	23.65	20.41	23.47	20.41	23.00	20.21	22.45	20.21
75	65	25.23	21.12	24.47	20.91	24.22	20.91	23.98	20.70	23.80	20.70	23.32	20.50	22.76	20.50

Table 21: LSN090HXV/LSU090HXV Heating Capacities.

Outdoor Air Temp.		Indoor Air Temperature (°F DB)													
°F DB	°F WB	60		64		68		70		72		75		86	
		TC	PI	TC	PI	TC	PI	TC	PI	TC	PI	TC	PI	TC	PI
16	14	6.90	0.70	6.69	0.70	6.62	0.70	6.55	0.69	6.50	0.69	6.37	0.68	6.22	0.68
19	17	7.04	0.72	6.82	0.72	6.76	0.72	6.69	0.71	6.64	0.71	6.50	0.70	6.35	0.70
24	23	7.72	0.75	7.49	0.74	7.41	0.74	7.34	0.74	7.28	0.74	7.13	0.73	6.96	0.73
32	30	9.25	0.81	8.97	0.80	8.88	0.80	8.79	0.80	8.73	0.80	8.55	0.79	8.35	0.79
41	38	10.62	0.86	10.30	0.86	10.19	0.86	10.09	0.85	10.01	0.85	9.81	0.84	9.58	0.84
43	40	10.96	0.88	10.63	0.87	10.52	0.87	10.41	0.86	10.33	0.86	10.13	0.85	9.89	0.85
47	43	11.47	0.90	11.12	0.89	11.01	0.89	10.90	0.88	10.82	0.88	10.60	0.87	10.35	0.87
53	50	11.58	0.91	11.23	0.90	11.12	0.90	11.01	0.89	10.92	0.89	10.71	0.88	10.45	0.88
59	53	11.85	0.92	11.49	0.91	11.37	0.91	11.26	0.90	11.17	0.90	10.95	0.89	10.69	0.89
64	57	12.10	0.93	11.73	0.92	11.61	0.92	11.50	0.92	11.41	0.92	11.18	0.91	10.92	0.91
70	61	12.33	0.95	11.96	0.94	11.83	0.94	11.72	0.93	11.63	0.93	11.39	0.92	11.12	0.92
75	65	12.50	0.96	12.12	0.95	12.00	0.95	11.88	0.94	11.79	0.94	11.55	0.93	11.28	0.93

Table 22: LSN120HXV/LSU120HXV Heating Capacities.

Outdoor Air Temp.		Indoor Air Temperature (°F DB)													
°F DB	°F WB	60		64		68		70		72		75		86	
		TC	PI	TC	PI	TC	PI	TC	PI	TC	PI	TC	PI	TC	PI
16	14	8.23	0.87	7.98	0.86	7.90	0.86	7.82	0.85	7.76	0.85	7.60	0.84	7.42	0.84
19	17	8.39	0.90	8.14	0.89	8.06	0.89	7.98	0.88	7.92	0.88	7.76	0.87	7.57	0.87
24	23	9.21	0.93	8.93	0.92	8.84	0.92	8.75	0.91	8.68	0.91	8.51	0.90	8.31	0.90
32	30	11.04	1.00	10.70	0.99	10.59	0.99	10.49	0.98	10.41	0.98	10.20	0.97	9.96	0.97
41	38	12.66	1.07	12.28	1.06	12.15	1.06	12.03	1.05	11.94	1.05	11.70	1.04	11.42	1.04
43	40	13.07	1.09	12.67	1.07	12.54	1.07	12.42	1.06	12.33	1.06	12.08	1.05	11.79	1.05
47	43	13.68	1.11	13.26	1.10	13.13	1.10	13.00	1.09	12.90	1.09	12.64	1.08	12.34	1.08
53	50	13.82	1.12	13.40	1.11	13.26	1.11	13.13	1.10	13.03	1.10	12.77	1.09	12.46	1.09
59	53	14.13	1.13	13.70	1.12	13.56	1.12	13.43	1.11	13.33	1.11	13.06	1.10	12.75	1.10
64	57	14.43	1.15	13.99	1.14	13.85	1.14	13.72	1.13	13.61	1.13	13.34	1.12	13.02	1.12
70	61	14.71	1.17	14.26	1.16	14.11	1.16	13.98	1.15	13.87	1.15	13.59	1.14	13.27	1.14
75	65	14.91	1.19	14.46	1.18	14.31	1.18	14.17	1.16	14.06	1.16	13.78	1.15	13.45	1.15

DB: Dry Bulb Temperature (°F) WB: Wet Bulb Temperature (°F) TC: Total Capacity (kBtu/h)
 PI: Power Input (kW) (includes compressor, indoor fan motor and outdoor fan motor)

1. All capacities are net, evaporator fan motor heat is deducted.
2. Direct interpolation is permissible. Do not extrapolate.

Nominal capacity as rated: 0 ft. above sea level with 25 ft. of refrigerant piping.
 0 ft. level difference between outdoor and indoor units.

Nominal heating capacity rating obtained with air entering the indoor unit at 70°F dry bulb (DB) and 60°F wet bulb (WB), and outdoor ambient conditions of 47°F dry bulb (DB) and 43°F wet bulb (WB).

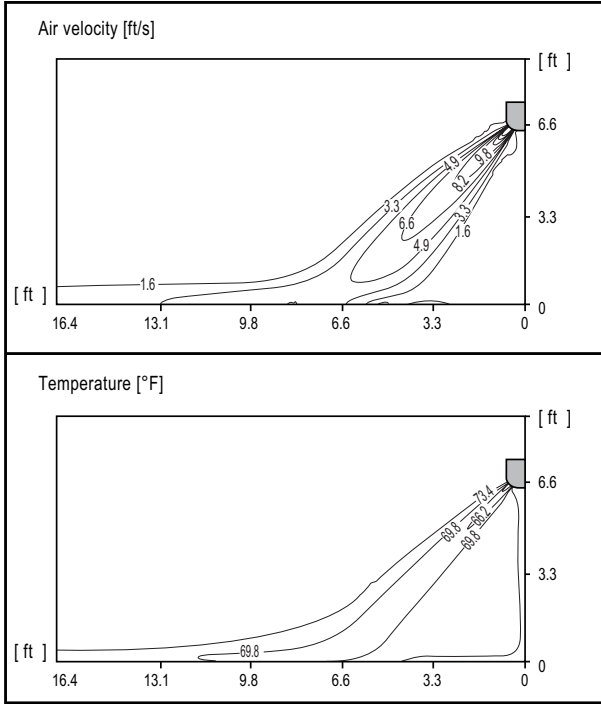
PERFORMANCE DATA

Air Flow and Temperature Distributions Graphs

LSN090HEV1

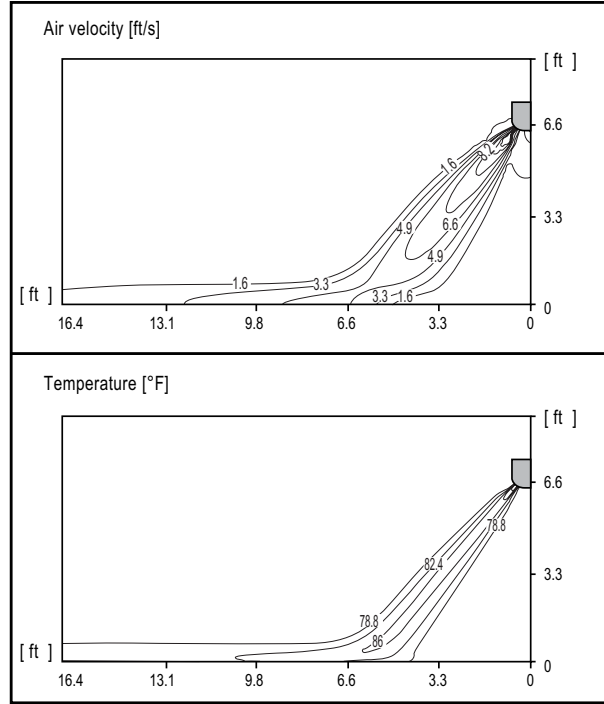
Cooling

Discharge angle:45°



Heating

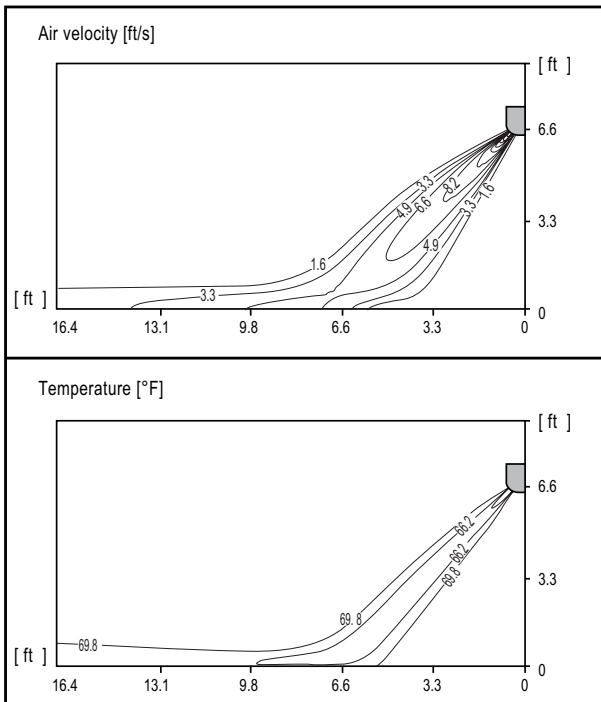
Discharge angle:50°



LSN120HEV1

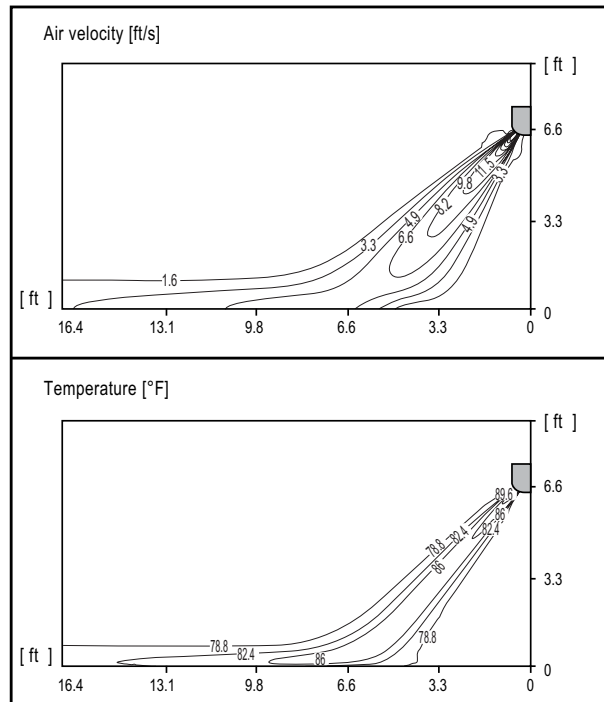
Cooling

Discharge angle:45°



Heating

Discharge angle:50°



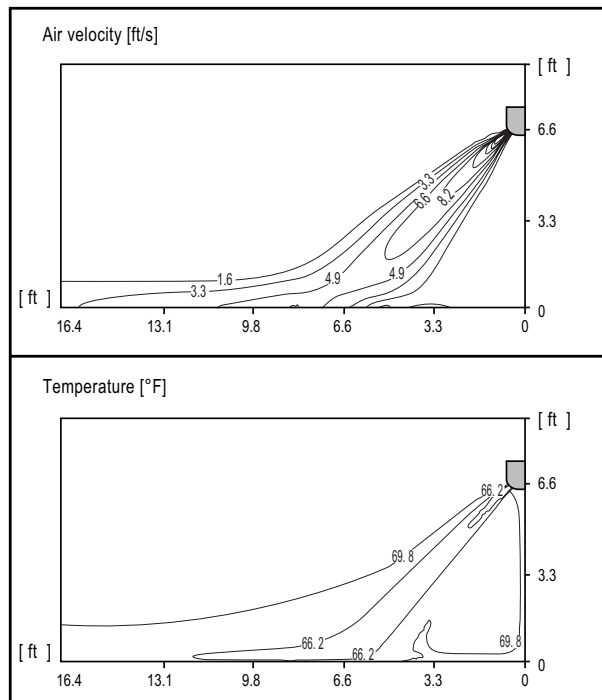
PERFORMANCE DATA

Air Flow and Temperature Distributions Graphs

LSN180HEV1

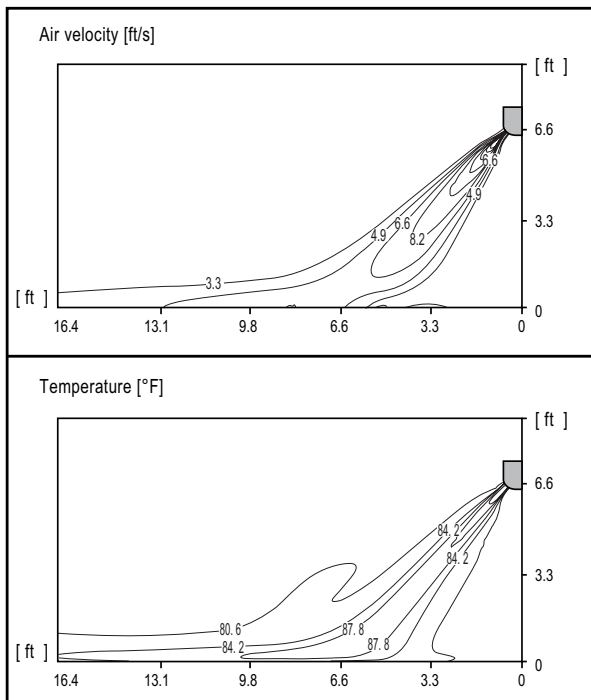
Cooling

Discharge angle:45°



Heating

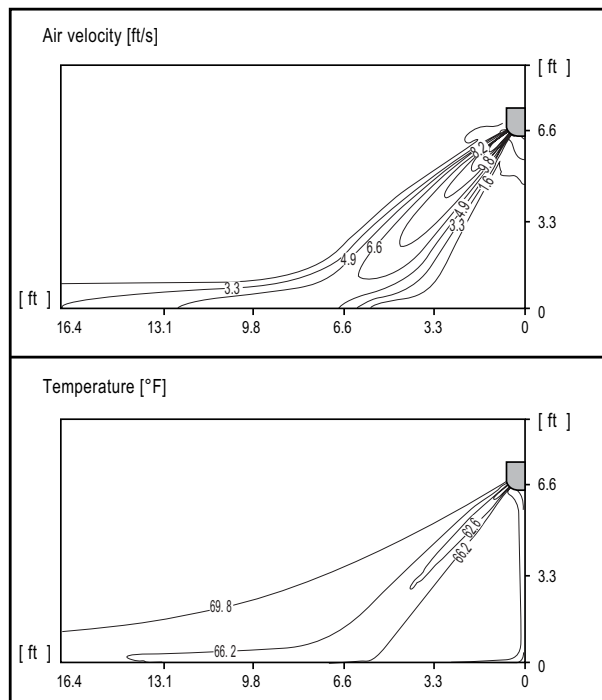
Discharge angle:50°



LSN240HEV1

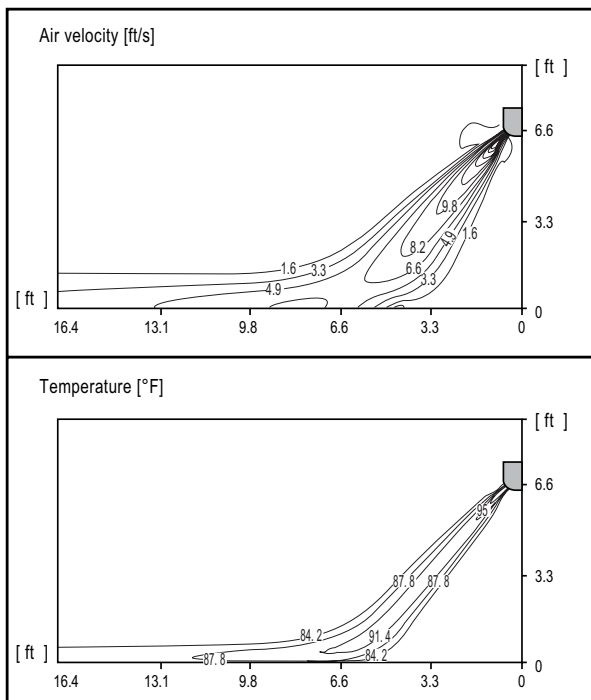
Cooling

Discharge angle:45°



Heating

Discharge angle:50°



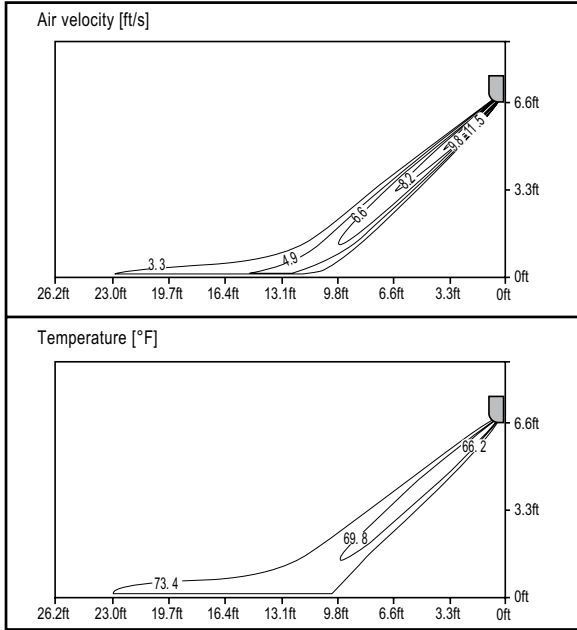
PERFORMANCE DATA

Air Flow and Temperature Distributions Graphs

LSN090HXV

Cooling

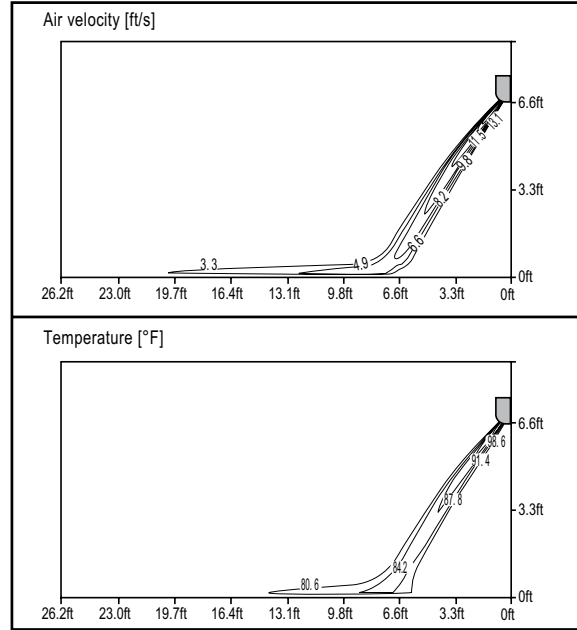
Discharge angle: 45°



* Based on maximum air flow.

Heating

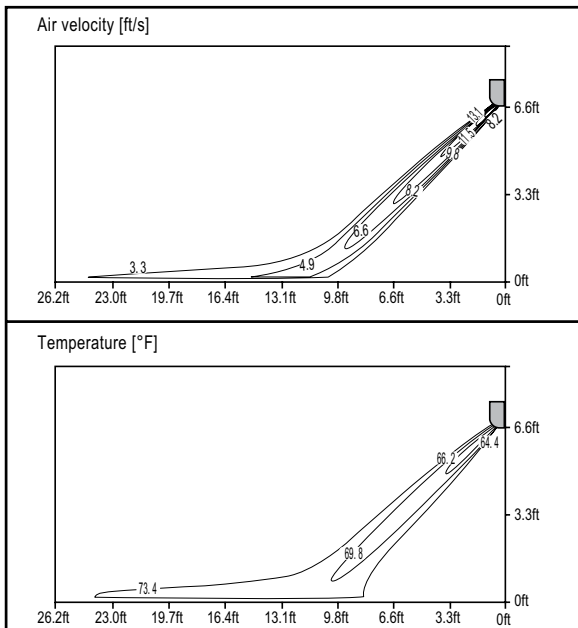
Discharge angle: 50°



LSN120HXV

Cooling

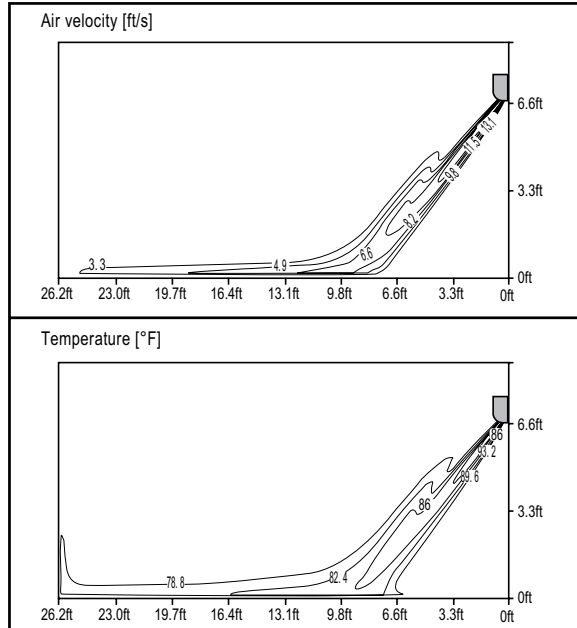
Discharge angle: 45°



* Based on maximum air flow.

Heating

Discharge angle: 50°



APPLICATION GUIDELINES

“Equipment Selection Procedure” on page 50

“Building Ventilation Design Guide” on page 52

“Placement Considerations” on page 54

EQUIPMENT SELECTION PROCEDURE

Cooling / Heating Correction Factors

For the Single Zone Mega Wall Mounted system, calculate the equivalent length of the liquid line from the outdoor unit to the indoor unit. Also, determine the elevation difference of the indoor unit above or below the outdoor unit. Find corresponding cooling or heating capacity correction factors as shown in Figures 17 through 20. Multiply the correction factors by the cooling or heating capacity obtained from the capacity tables using design conditions. The resultant is the NET cooling or heating capacity.

Figure 17: LS090-240HEV1 Cooling Coefficient Factor.

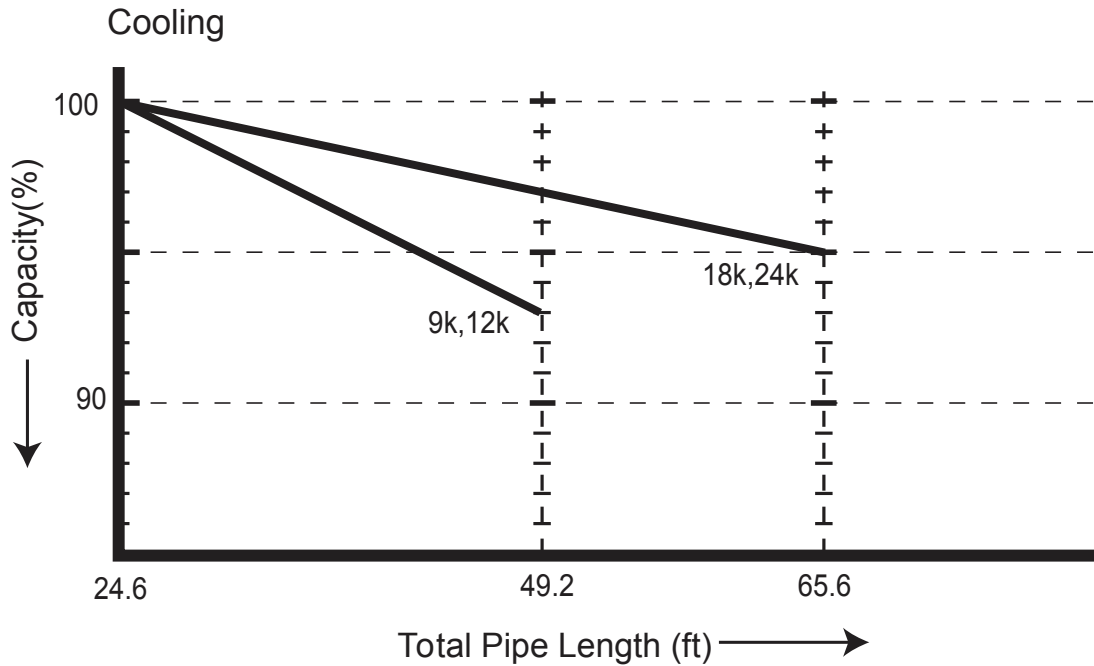
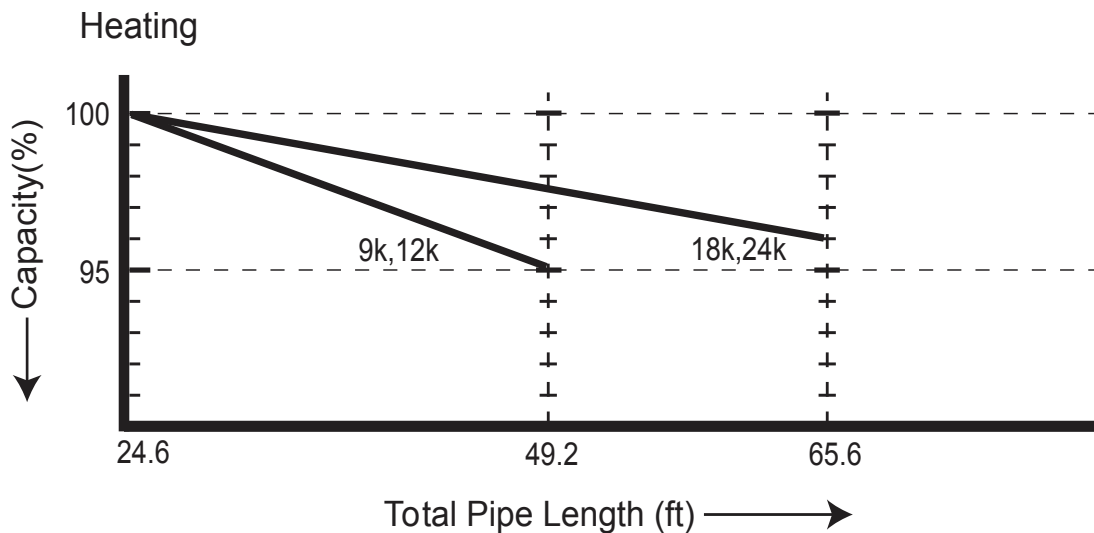


Figure 18: LS090-240HEV1 Heating Coefficient Factor.



EQUIPMENT SELECTION PROCEDURE

Figure 19: LS090HXV, LS120HXV Cooling Coefficient Factor.

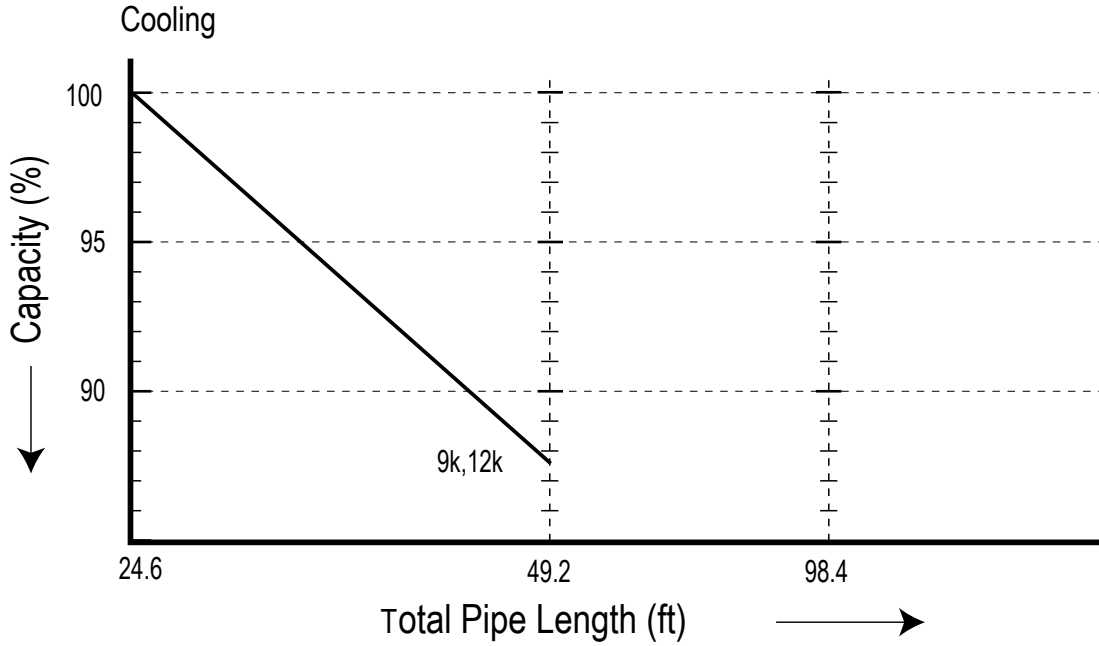
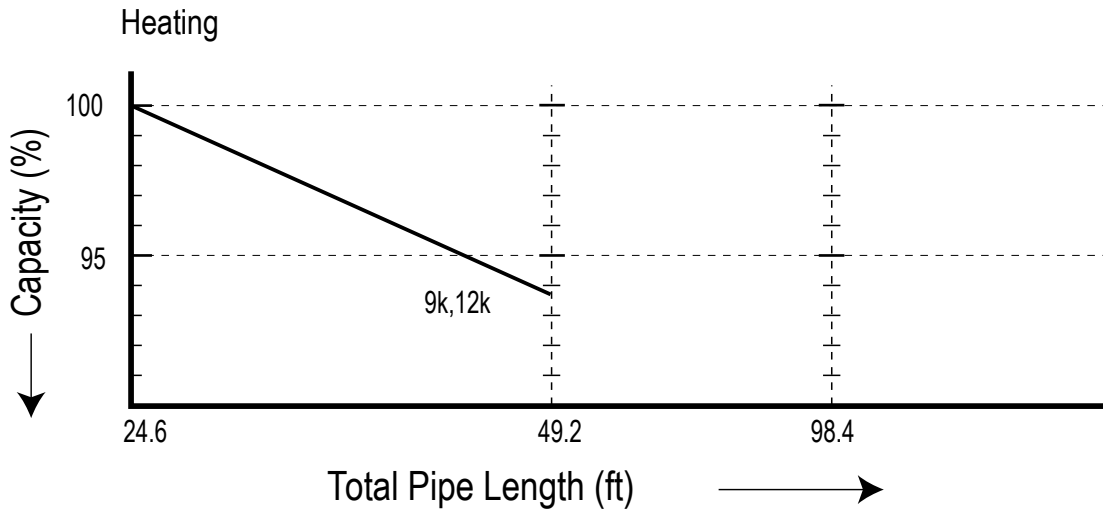


Figure 20: LS090HXV, LS120HXV Heating Coefficient Factor.



BUILDING VENTILATION DESIGN GUIDE

Building Ventilation Design Guide

ASHRAE 62.1 and local codes specify the minimum volume of outdoor air that must be provided to an occupied space. Outdoor air is required to minimize adverse health effects, and it provides acceptable indoor air quality for building occupants. The three methods of accomplishing this with single zone systems are summarized here.

Note:

Although we believe that these building ventilation methods have been portrayed accurately, none of the methods have been tested, verified, or evaluated by LG Electronics, U.S.A., Inc.. In all cases, the designer, installer, and contractor should understand if the suggested method is used, it is used at their own risk. LG Electronics U.S.A., Inc., takes no responsibility and offers no warranty, expressed or implied, in law or in fact, including but not limited to any implied warranty of merchantability or fitness for a particular purpose.

• For a complete copy of Standard 62.1-2010, refer to the American Standard of Heating and Air Conditioning Engineers (ASHRAE) website at www.ashrae.org.

• For more information on how to properly size a ventilation air pretreatment system, refer to the article, "Selecting DOAS Equipment with Reserve Capacity" by John Murphy, published in the ASHRAE Journal, April 2010.

Method 1: Decoupled Dedicated Outdoor Air System (DDOAS)

Provide a separate, dedicated outdoor-air system designed to filter, condition, and dehumidify ventilation air and deliver it directly to the conditioned space through a separate register or grille. This approach requires a separate independent ventilation duct system not associated with single zone systems (Figure 21).

Note:

LG recommends using the DDOAS method in all installations.

Advantages

- May be used with all single zone systems.
- The outdoor air unit may supply "neutral" air to the occupant space even when the single zone indoor unit fan changes speed or cycles on and off. DDOAS controls do not have to be interlocked with the single zone system.
- In lieu of installing localized smaller outside air treatment equipment throughout the building, this method centralizes the ventilation air source making service and filter changes easier and less disruptive for the building occupants.
- Third-party demand control ventilation controls are more readily accommodated.

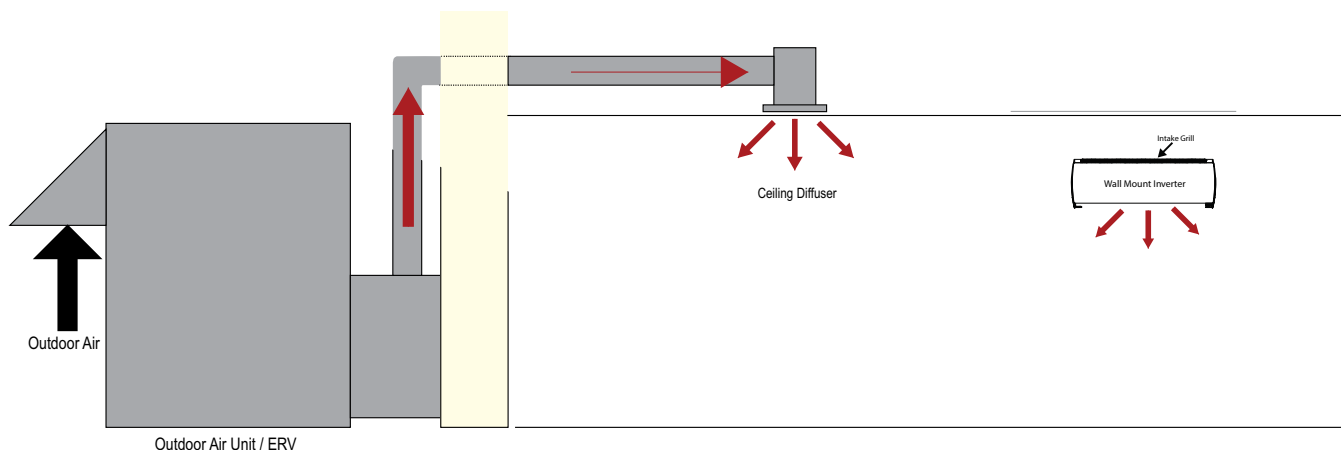
Disadvantages

- Ceiling space is required to accommodate ductwork between the centralized outdoor air unit and ceiling diffusers.

Note:

Methodology illustrations are for examples only and do not depict actual indoor units for the specific outdoor unit pairing. These are generic illustrations to show ventilation design only.

Figure 21: Decoupled Dedicated Outdoor System Diagram



BUILDING VENTILATION DESIGN GUIDE

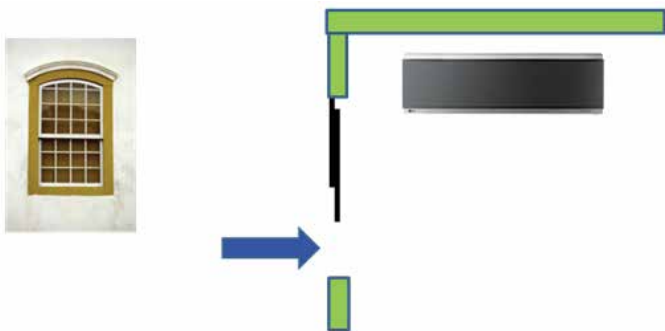
Method 2: Unconditioned Outdoor Air (Non-Ducted, Natural Ventilation)

Natural ventilation devices, such as operable windows or louvers may be used to ventilate the building when local code permits. The open area of a window or the free area of a louver must meet the minimum percentage of the net occupied floor area. Refer to Figure 22.

Advantages

- Occupants control the volume of the ventilation air manually.
- Useful for historic buildings that have no ceiling space available for outdoor air ductwork.
- May be used with single zone systems.

Figure 22: Unconditioned Outdoor Air (Non-Ducted)



Disadvantages

- In some locations, it may be difficult to control humidity levels when windows are open.
- Thermal comfort levels may be substandard when windows are open.
- Indoor units may have to be oversized to account for the added heating and cooling loads when windows are open.
- Provides outdoor air to perimeter spaces only. Additional mechanical ventilation system may be required to satisfy requirements for interior spaces.
- Outdoor air loads may be difficult to calculate since the quantity of outdoor air is not regulated.
- May affect indoor unit proper operation when open.

Note:

Methodology illustrations are for examples only and do not depict actual indoor units for the specific outdoor unit pairing. These are generic illustrations to show ventilation design only.

Method 3: Unconditioned Outdoor Air (Non-Ducted, Fan Assisted Ventilation)

When approved by local codes, the fan assisted ventilation method uses exhaust fans to remove air from the building, and outdoor air is drawn into occupied spaces through a wall louver or gravity roof intake hood. Supply fans can also be used to push the outdoor air into the space and building positive pressure will vent the exhaust air through louvers or roof-mounted exhaust hoods. Outdoor air is neither cooled nor heated before entering the building. Refer to Figure 23.

Note:

This may result in loss of building pressurization control, increasing infiltration loads with adverse effects.

Advantages

- Outdoor air may be manually controlled by the occupant or automatic controls may be installed to open/close outdoor air dampers or to turn on/off ventilation fans.
- Useful for large open spaces like warehouses, garages, and workshops.
- Outdoor air volume is a known quantity. Air loads may be easier to calculate since fans will regulate the amount of outdoor air.
- May be used with single zone systems.

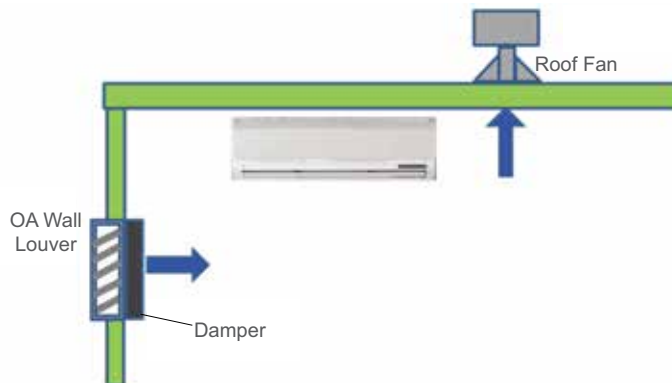
Note:

Methodology illustrations are for examples only and do not depict actual indoor units for the specific outdoor unit pairing. These are generic illustrations to show ventilation design only.

Disadvantages

- In some locations of the country, it may be difficult to control humidity levels while outdoor air louvers/hoods are opened.
- Thermal comfort levels may be substandard when louvers/hoods are opened.
- Indoor units may have to be oversized to account for the added heating/cooling loads when louvers/hoods are open.
- Hot, cold, and/or humid areas may be present if the outdoor air is not evenly distributed to the different spaces.

Figure 23: Unconditioned Outdoor Air (Non-Ducted)



PLACEMENT CONSIDERATIONS

Selecting the Best Location

⚠ DANGER

To avoid the possibility of fire, do not install the unit in an area where combustible gas may generate, flow, stagnate, or leak. Failure to do so will cause serious bodily injury or death.

⚠ WARNING

- Install a fence to prevent vermin from crawling into the unit or unauthorized individuals from accessing it.
- Do not install the unit in a location where acidic solution and spray (sulfur) are often used as this may cause serious bodily injury or death.
- Do not use the unit in environments where oil, steam, or sulfuric gas are present as this may cause serious bodily injury or death.

Note:

Select a location for installing the outdoor unit that will meet the following conditions:

- Where the unit will not be subjected to direct thermal radiation from other heat sources.
- Where operating sound from the unit will not disturb inhabitants of surrounding buildings.
- Where the unit will not be exposed to direct, strong winds.
- Where there is enough strength to bear the weight of the unit.
- Include space for drainage to ensure condensate flows properly out of the unit when it is in heating mode.
- Include enough space for air flow and for service access.

Note:

To ensure the outdoor unit operates properly, certain measures are required in locations where there is a possibility of heavy snowfall or severe wind chill or cold:

1. Prepare for severe winter wind chills and heavy snowfall, even in areas of the country where these are unusual phenomena.
2. Position the outdoor unit so that its airflow fans are not buried by direct, heavy snowfall. If snow piles up and blocks the airflow, the system may malfunction.
3. Remove any snow that has accumulated by 4 inches or more on the top of the outdoor unit.
4. Place the outdoor unit on a raised platform at least 20 inches higher than the average annual snowfall for the area. In environments where there is a possibility of heavy snow, the frame height must be more than two (2) times the amount of average annual snowfall, and should not exceed the width of the outdoor unit. If the frame width is wider than the outdoor unit, snow may accumulate.
5. Install a snow protection hood.
6. To prevent snow and heavy rain from entering the outdoor unit, install the suction and discharge ducts facing away from direct winds.
7. Additionally, the following conditions should be taken into consideration when the unit operates in defrost mode:
 - If the outdoor unit is installed in a highly humid environment (near an ocean, lake, etc.), ensure that the site is well-ventilated and has a lot of natural light. (Example: Install on a rooftop.)
 - Sidewalks or parking lots near the outdoor unit may accumulate moisture after unit operates in defrost mode that can turn to ice.

Note:

The indoor unit may take longer to provide heat, or heating performance will be reduced in winter if the unit is installed:

1. In a narrow, shady location.
2. Near a location that has a lot of ground moisture.
3. In a highly humid environment.
4. In an area in which condensate does not drain properly.

Ambient Air Conditions

Note:

- Avoid exposing the unit to discharge from boiler stacks, chimneys, steam relief ports, other air conditioning units, kitchen vents, plumbing vents, or substances that may degrade performance or cause damage to the unit.
- When installing multiple outdoor units, avoid placing the units where discharge of one outdoor unit will blow into the inlet side of an adjacent unit.

⚠ WARNING

Avoid exposing the unit to sources of extreme temperature or gases to prevent serious bodily injury.

PLACEMENT CONSIDERATIONS

Indoor Unit Clearance/Outdoor Unit Installation

Indoor Unit Best Location

Note:

Follow recommended best practices when choosing an indoor location for the single zone indoor unit.

- Use a metal detector to locate studs in the walls. Anchor unit following stud location, to prevent damage to the wall.
- Clearance gap between any wall or enclosure and the left or right side of the unit must be greater than 4 inches (Figure 24).
- Follow Table 11 for minimum clearance of indoor unit from the top of the unit to the ceiling.
- Unit should be at least 6.5 feet from the floor for adequate clearance.

- ⊘ • Keep unit away from any indoor steam or excessive heat.
- No obstacles should be placed around unit.
- Condensation drain (leakage piping) should be routed away from the unit.
- Do not install near doorway.

General Mounting for Outdoor Units

Securely attach the outdoor unit to a condenser pad, base rails, or another mounting platform that is securely anchored to the ground or building structure. Attach the outdoor unit with a bolt and nut on a concrete or rigid mount. See Figure 25. Refer to the applicable installation manual and follow applicable local codes for clearance, mounting, anchor and vibration attenuation requirements.

Note:

All referenced materials are to be field-supplied. Images are not to scale.

Mounting Platform

The underlying structure or foundation must be designed to support the weight of the unit. Avoid placing the unit in a low lying area where water may accumulate. When installing the outdoor unit on the wall, or roof top, anchor the mounting base securely to account for wind, earthquake or vibration.

Tie-Downs and Wind Restraints

The strength of the Duct-free Split Single Zone Inverter system frame is adequate to be used with field-provided wind restraint tie-downs. The overall tie-down configuration must be approved by a local professional engineer.

Note:

Always refer to local code when designing a wind restraint system.

Snow and Ice Conditions

In climates that experience snow build-up, place the unit on a raised platform to ensure condenser airflow. The raised support platform must be high enough to allow the unit to remain above possible snow drifts. Mount the unit on a field-provided snow stand at a minimum height that is equal to the average annual snowfall plus 20 inches. Design the mounting base to prevent snow accumulation on the platform in front or back of the unit case. If necessary, provide a field fabricated hood to keep snow and ice and/or drifting snow from accumulating on the coil surfaces. Use inlet and discharge duct or hoods to prevent snow or rain from accumulating on the fan inlet and outlet guards. Best practice prevents snow from accumulating on top of the unit. Consider tie-down requirements in case of high winds or where required by local codes.

CAUTION

When deciding on a location to place the outdoor unit, be sure to choose an area where run-off from defrost will not accumulate and freeze on sidewalks or driveways which may create unsafe conditions.

Figure 24: Single Zone Indoor Unit Clearance Requirements.

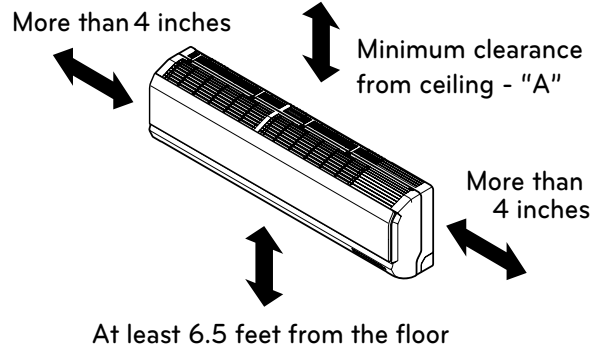
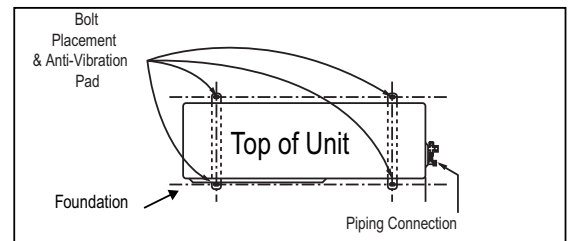
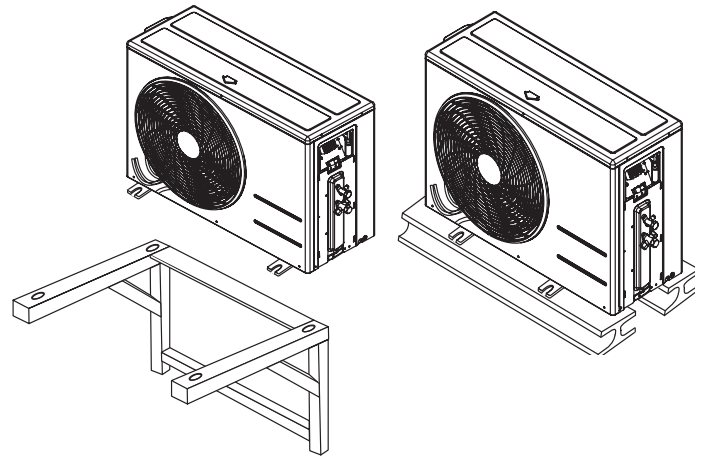


Table 11: Indoor Unit Ceiling Clearance.

"A" Ceiling Clearance (inches)	Indoor Unit Model(s)
5	LSN090HEV1, LSN120HEV1
8	LSN090HXV, LSN120HXV, LSN180HEV1, LSN240HEV1

Figure 25: Outdoor Unit Mounting Methods.



PLACEMENT CONSIDERATIONS

Outdoor Unit Clearances

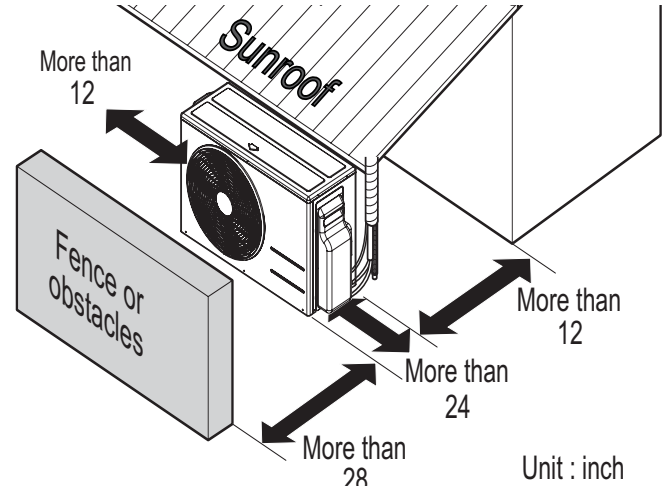
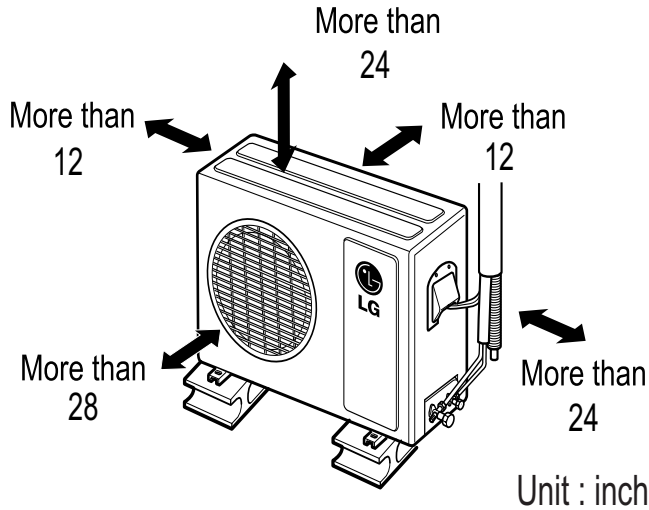
Minimum Clearance Requirements for Single-Zone Mega Systems

Proper clearance for the outdoor unit coil is critical for proper unit operation. When installing the outdoor unit, consider service, inlet and outlet and minimum allowable space requirements as illustrated in the diagrams below.

Specific clearance requirements in the diagram below are for the single-zone Art Cool Premier wall mount systems. Figure 26 shows the overall minimum clearances that must be observed for safe operation and adequate airflow around the outdoor unit.

Figure 26: Outdoor Unit Clearances.

Figure 27: Outdoor Unit Sunroof/Awning Clearances.



When placing the outdoor unit under an overhang, awning, sunroof or other “roof-like structure”, observe the clearance requirements (as shown in Figure 27) for height in relation to the unit. This clearance ensures that heat radiation from the condenser is not restricted around the unit.

Adhere to all clearance requirements if installing the unit on a roof. Be sure to level the unit and ensure that the unit is adequately anchored. Consult local codes for rooftop mounting requirements.

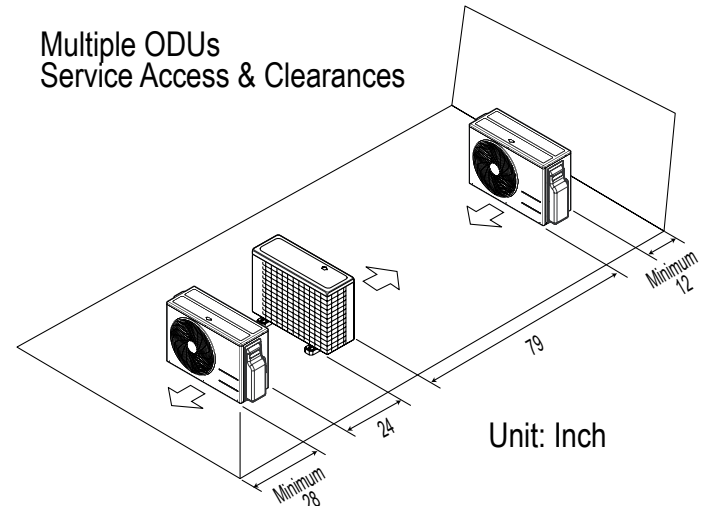
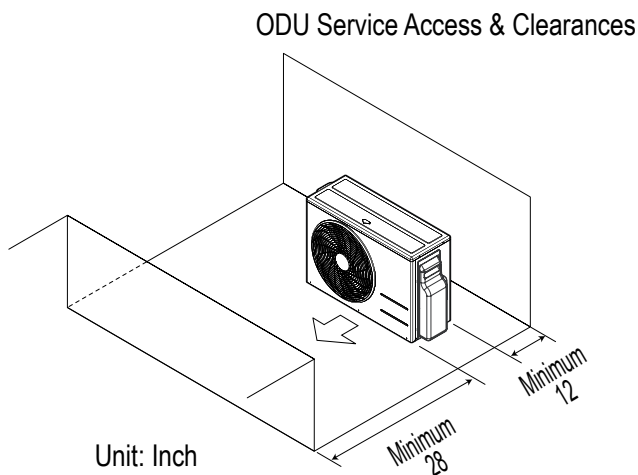
Note:

Do not place the unit where animals and/or plants will be in the path of the warm air, or where the warm air and/or noise will disturb neighbors.

In order to have successful service access to the outdoor unit, see Figure 28 for minimum spacing. When installing multiple outdoor units, see Figure 29 for correct spacing requirements.

Figure 28: ODU Service Access Clearance - Single Unit.

Figure 29: ODU Service Access Clearance - Multiple Units.



REFRIGERANT PIPING DESIGN & LAYOUT BEST PRACTICES

"Refrigerant Piping Design" on page 58

"Selecting Field-Supplied Copper Tubing" on page 59

"Refrigerant Piping System Layout" on page 60

"Piping Connection" on page 59

"Electrical Connections" on page 64

"Mechanical Specifications" on page 66

"Acronyms" on page 67

REFRIGERANT PIPING DESIGN

Design Guideline Summary/Selecting Field-Supplied Copper Tubing

Device Connection Limitations

Single-zone systems consist of one outdoor unit and one indoor unit. One of the most critical elements of a single zone system is the refrigerant piping. Table 12 lists pipe length limits that must be followed in the design of a Single Zone Art Cool Premier refrigerant pipe system. Refer to Figure 30 for maximum length and elevation of piping.

Figure 30: Mega System Layout.

Max Length = A
Max Elevation = B
Unit = Feet

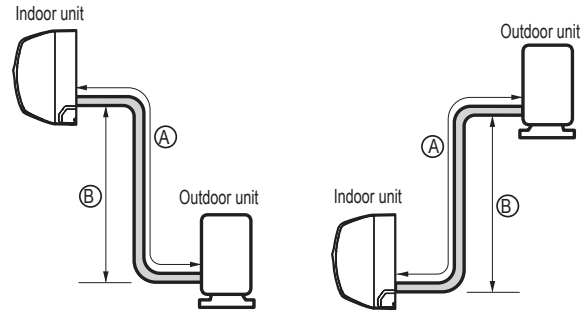


Table 12: Single-Zone Mega Wall Mount Refrigerant Piping System Limitations.

Pipe Length (ELF = Equivalent Length of pipe in Feet)	Longest total equivalent piping length	LS090HEV1/ LS120HEV1	LS180HEV1/ LS240HEV1	LSU090HXV/ LSU120HXV
	Shortest total equivalent piping length	49.2 feet	65.6 feet	49.2 feet
	Piping Length (no additional refrigerant)	9.8 feet	9.8 feet	6.6 feet
	Distance between fittings and indoor or outdoor units	24.6 feet	24.6 feet	24.6 feet
Elevation (All Elevation Limitations are Measured in Actual Feet)	If outdoor unit is above indoor unit	≥20 inches	≥20 inches	≥20 inches
	If outdoor unit is below indoor unit	22.9 feet	32.8 feet	22.9 feet
Additional Refrigerant Needed (oz/ft)		22.9 feet	32.8 feet	22.9 feet
		0.22	0.33	0.22

Table 13: Linear Thermal Expansion of Copper Tubing in Inches

Pipe Length ¹	Fluid Temperature °F																			
	35°	40°	45°	50°	55°	60°	65°	70°	75°	80°	85°	90°	95°	100°	105°	110°	115°	120°	125°	130°
10	0.04	0.04	0.05	0.06	0.06	0.07	0.08	0.08	0.09	0.09	0.10	0.10	0.11	0.11	0.11	0.12	0.13	0.14	0.15	0.15
20	0.08	0.08	0.10	0.12	0.13	0.14	0.15	0.16	0.17	0.18	0.19	0.20	0.21	0.22	0.22	0.23	0.26	0.28	0.29	0.30
30	0.12	0.12	0.15	0.18	0.20	0.21	0.23	0.24	0.26	0.27	0.29	0.30	0.32	0.33	0.32	0.35	0.39	0.42	0.44	0.45
40	0.16	0.16	0.20	0.24	0.26	0.28	0.30	0.32	0.34	0.36	0.38	0.40	0.42	0.44	0.43	0.46	0.52	0.56	0.58	0.60
50	0.20	0.20	0.25	0.30	0.33	0.35	0.38	0.40	0.43	0.45	0.48	0.50	0.53	0.55	0.54	0.58	0.65	0.70	0.73	0.75
60	0.24	0.24	0.30	0.36	0.39	0.42	0.45	0.48	0.51	0.54	0.57	0.60	0.63	0.66	0.65	0.69	0.78	0.84	0.87	0.90

¹Pipe length baseline temperature = 0°F. "Expansion of Carbon, Copper and Stainless Steel Pipe," *The Engineers' Toolbox*, www.engineeringtoolbox.com.

REFRIGERANT PIPING DESIGN

Selecting Field-Supplied Copper Tubing

Figure 31: Coiled Expansion Loops and Offsets.

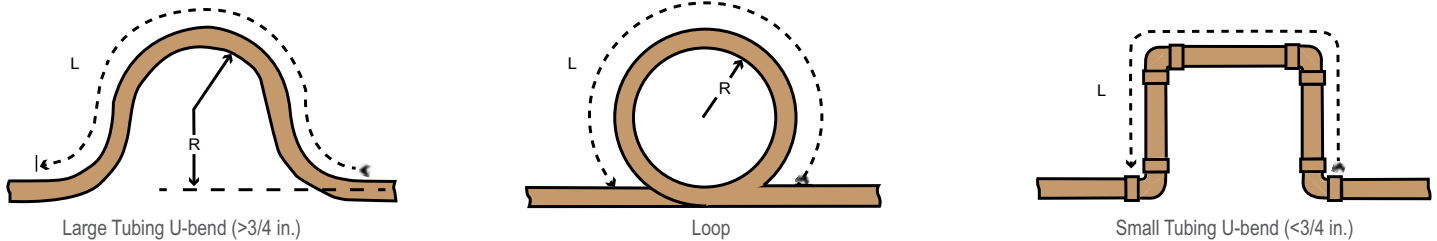


Table 14: Radii of Coiled Expansion Loops and Developed Lengths of Expansion Offsets.

Anticipated Linear Expansion (LE) (inches)		Nominal Tube Size (OD) inches			
		1/4	3/8	1/2	3/4
1/2	R ¹	6	7	8	9
	L ²	38	44	50	59
1	R ¹	9	10	11	13
	L ²	54	63	70	83
1-1/2	R ¹	11	12	14	16
	L ²	66	77	86	101
2	R ¹	12	14	16	19
	L ²	77	89	99	117
2-1/2	R ¹	14	16	18	21
	L ²	86	99	111	131
3	R ¹	15	17	19	23
	L ²	94	109	122	143
3-1/2	R ¹	16	19	21	25
	L ²	102	117	131	155
4	R ¹	17	20	22	26
	L ²	109	126	140	166

¹R = Centerline Length of Pipe.

²L = Centerline Minimum Radius (inches).

Definitions

Physical Pipe Length: Actual length of straight segment(s) of pipe.

Equivalent Pipe Length: Actual length of pipe plus equivalent lengths of elbows and valves.

Layout Procedure

1. Draft a one-line diagram of the proposed piping system connecting outdoor unit to indoor unit. Follow the pipe limitations listed on page 58.
2. Calculate the physical length of each pipe segment and note it on the drawing.
3. Calculate the equivalent pipe length of each pipe segment.

Using Elbows

Field-supplied elbows are allowed as long as they are long radius and designed for use with R410A refrigerant. The designer should be cautious with the quantity and size of fittings used, and must account for the additional pressure losses in equivalent pipe length calculation. The equivalent pipe length of each elbow must be added to each pipe segment. See Table 15 for equivalent lengths.

Table 15: Equivalent Piping Length for Piping Components.

Component	Size (Inches)				
	1/4	3/8	1/2	5/8	3/4
Long Radius Elbow (ft.)	0.5	0.6	0.7	0.8	1.2

Field-Provided Isolation Ball Valves

It is acceptable to install field-supplied ball valves with Schrader ports at the indoor unit. Full-port isolation ball valves with Schrader ports (positioned between valve and indoor unit) rated for use with R410A refrigerant should be used on both the liquid and vapor lines.

If valves are not installed and the indoor unit needs to be removed or repaired, the entire system must be shut down and evacuated. Position valves with a minimum distance of three (3) to six (6) inches of pipe on either side of the valve. Valves must be easily accessible for service. If necessary, install drywall access doors or removable ceiling panels, and position the valves to face the access door or ceiling panel opening. Mount valves with adequate space between them to allow for placement of adequate pipe insulation around the valves. Recommended best practice is to clearly label and document locations of all service valves. The equivalent pipe length of each ball valve must be added to each pipe segment.

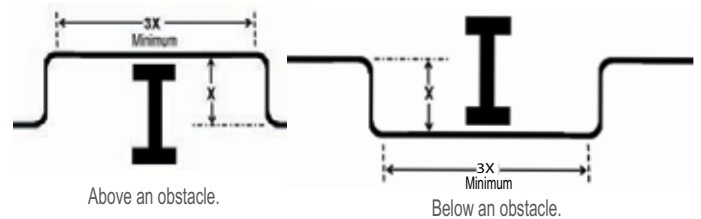
INSTALLATION & LAYOUT BEST PRACTICES

Refrigerant Piping System Layout

Obstacles

When an obstacle, such as an I-beam or concrete T, is in the path of the planned refrigerant pipe run, it is best practice to route the pipe over the obstacle. If adequate space is not available to route the insulated pipe over the obstacle, then route the pipe under the obstacle. In either case, it is imperative the horizontal section of pipe above or below the obstacle be a minimum of three (3) times greater than the longest vertical rise (or fall) distance (Figure 32).

Figure 32: Installing Piping Above and Below an Obstacle



In-line Refrigeration Components

Components such as oil traps, solenoid valves, filter-dryers, sight glasses, tee fittings, and other after-market accessories are not permitted on the refrigerant piping system between the outdoor unit and the indoor unit. Single Zone Mega Inverter Wall Mounted air-source systems are provided with redundant systems that assure oil is properly returned to the compressor. Sight-glasses and solenoid valves may cause vapor to form in the liquid stream. Over time, dryers may deteriorate and introduce debris into the system. The designer and installer should verify the refrigerant piping system is free of traps, sagging pipes, sight glasses, filter dryers, etc.

No Pipe Size Substitutions

Using a different size is prohibited and may result in a system malfunction or failure to work at all.

Pipe Supports

A properly installed pipe system should be adequately supported to avoid pipe sagging. Sagging pipes become oil traps that lead to equipment malfunction.

Pipe supports should never touch the pipe wall; supports shall be installed outside (around) the primary pipe insulation jacket (see Figure 33). Insulate the pipe first because pipe supports shall be installed outside (around) the primary pipe insulation jacket. Clevis hangers should be used with shields between the hangers and insulation. Field provided pipe supports should be designed to meet local codes. If allowed by code, use fiber straps or split-ring hangers suspended from the ceiling on all-thread rods (fiber straps or split ring hangers can be used as long as they do not compress the pipe insulation). Place a second layer of insulation over the pipe insulation jacket to prevent chafing and compression of the primary insulation within the confines of the support pipe clamp.

A properly installed pipe system will have sufficient supports to avoid pipes from sagging during the life of the system. As necessary, place supports closer for segments where potential sagging could occur. Maximum spacing of pipe supports shall meet local codes. If local codes do not specify pipe support spacing, pipe shall be supported as follows:

- Maximum of five feet (5') on center for straight segments of pipe up to 3/4" outside diameter size.

Wherever the pipe changes direction, place a hanger within twelve (12) inches on one side and within twelve to nineteen (12 to 19) inches of the bend on the other side as shown in Figure 35.

Figure 33: Pipe Hanger Details

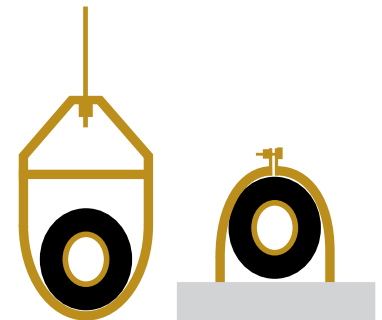


Figure 34: Typical Pipe Support Location—Change in Pipe Direction

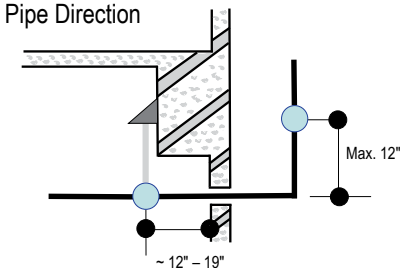
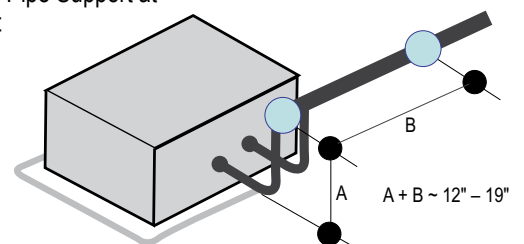


Figure 35: Pipe Support at Indoor Unit



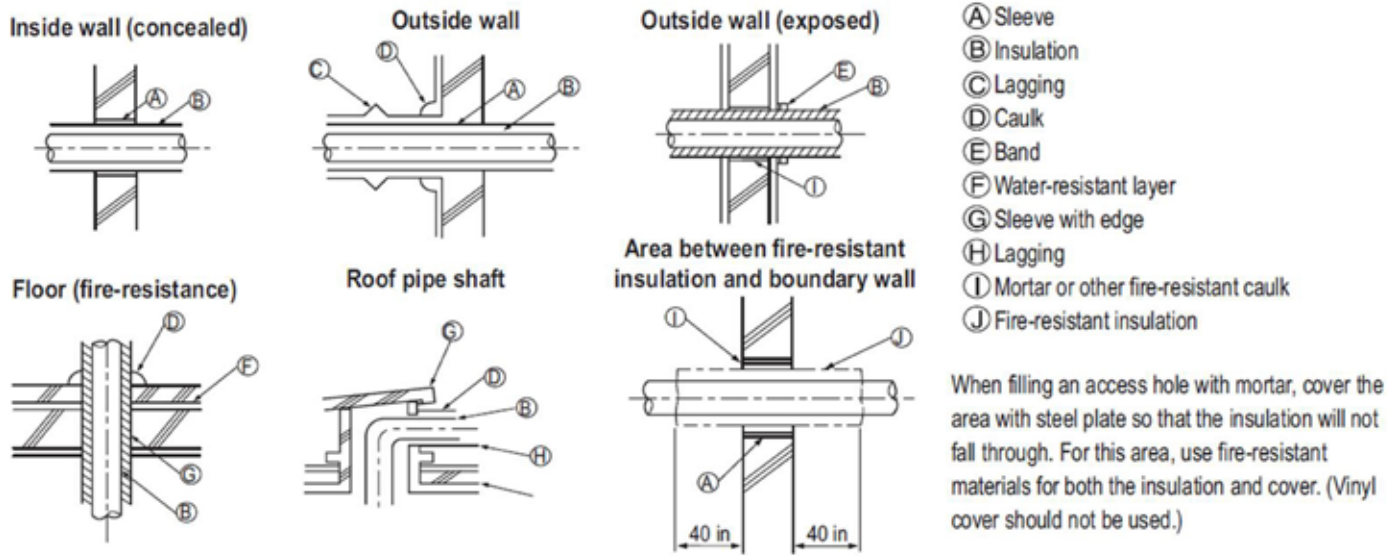
INSTALLATION & LAYOUT BEST PRACTICES

Refrigerant Piping System Layout

Pipe Sleeves at Penetrations

LG requires that all pipe penetrations through walls, floors, and pipes buried underground be properly insulated and routed through an appropriate wall sleeve of sufficient size to prevent compression of refrigerant pipe insulation and free movement of the pipe within the sleeve (Figure 36). Underground refrigerant pipe shall be routed inside a protective sleeve to prevent insulation deterioration.

Figure 36: Pipe Sleeve Options.



Note:

Diameter of penetrations shall be determined by pipe diameter plus the thickness of the insulation.

Underground Refrigerant Piping

Refrigerant pipe installed underground should be routed inside a vapor tight protective sleeve to prevent insulation deterioration and water infiltration. Refrigerant pipe installed inside underground casing must be continuous without any joints. Underground refrigerant pipe must be located at a level below the frost line.

Table 16: Utility Conduit Sizes (Inches)

Liquid Pipe ¹	Vapor Pipe ¹		
	3/8 (1-1/8 ^{2,3})	1/2 (2.0 ^{2,4})	5/8 (2-1/8 ^{2,4})
1/4 (1.0) ⁴	4	4	4
3/8 (1-1/8) ⁴	4	4	4

¹OD pipe diameter in inches; Values in parenthesis () indicate OD of pipe with insulation jacket.

²Diameter of pipe with insulation. Thickness of pipe insulation is typical. Actual required thickness may vary based on surrounding ambient conditions and should be calculated and specified by the design engineer.

³Insulation thickness (value in parenthesis) = 3/8 inch.

⁴Insulation thickness (value in parenthesis) = 3/4 inch.

Figure 37: Typical Arrangement of Refrigerant Pipe and Cable(s) in a Utility Conduit.

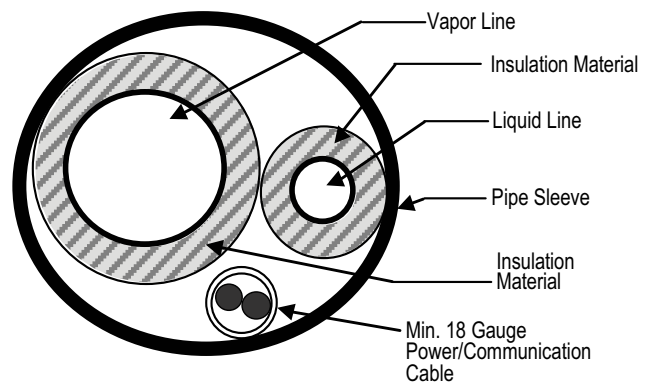


Table 17: Outdoor Unit Refrigerant Pipe Connections (All Brazed Type).

Model	Liquid Conn. (inches)	Vapor Conn. (inches)
LSU090HEV1, LSU120HEV1	1/4	3/8
LSU180HEV1	1/4	1/2
LSU240HEV1	1/4	5/8
LSU090HXV, LSU120HXV	1/4	3/8

INSTALLATION & LAYOUT BEST PRACTICES

Refrigerant Piping System Layout

Single Zone Mega Outdoor Unit Connections

1. Remove the tubing cover from the unit by loosening the fastening screws.
2. Align the center of the refrigerant pipe and corresponding connection as shown, and tighten the flare nut initially by hand.
3. Finish tightening the flare nut with a torque wrench until the wrench clicks. Follow the guidelines as outlined in Table 18 for the amount of torque to use.

Figure 38: LSU90-120HEV1, LSU90-120HXV Outdoor Unit Connection Cover Removal.

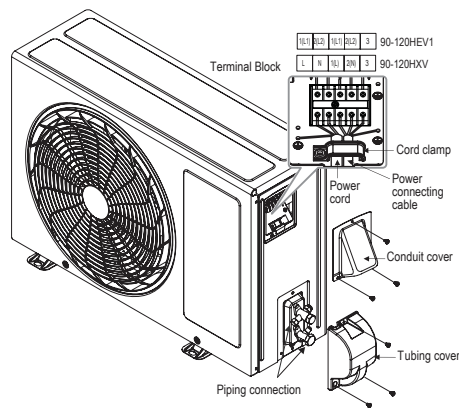


Figure 39: LSU180HEV1 Outdoor Unit Connection Cover Removal.

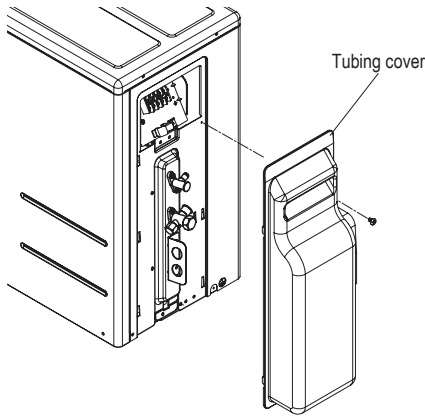


Figure 40: LSU240HEV1 Outdoor Unit Connection Cover Removal.

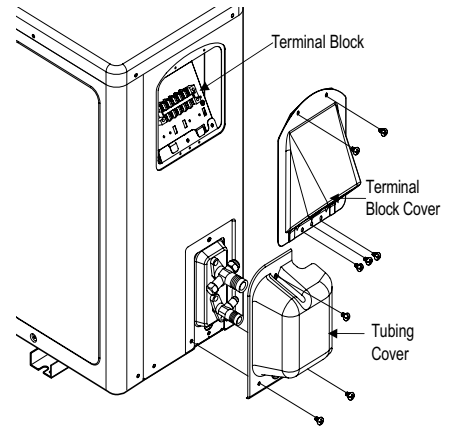
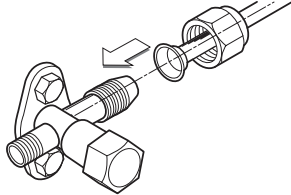


Figure 41: Pipe Attachment.



Note:
When tightening the flare nut with torque wrench, ensure the direction for tightening follows the arrow on the wrench.

Table 18: Torque Wrench Tightening

Outside Diameter (Inches)	Torque (Lbs.-ft)
1/4	13-18
3/8	24.6-30.4
1/2	39.8-47.7
5/8	45.6-59.3
3/4	71.6-87.5

Figure 42: LSU90-120HEV1, LSU90-120HXV Outdoor Unit Piping Connection.

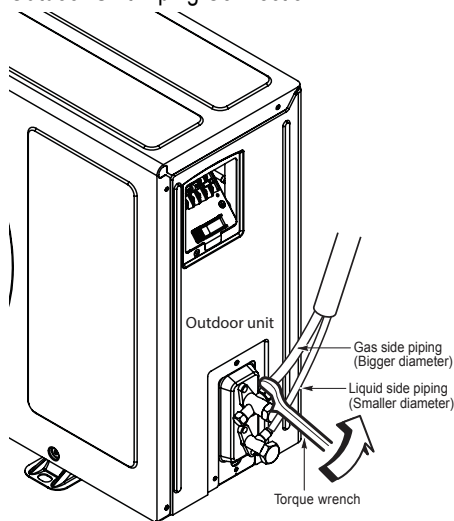


Figure 43: LSU180HEV1 Outdoor Unit Piping Connection.

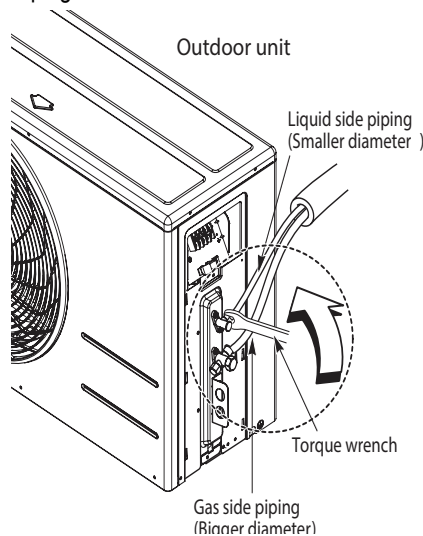
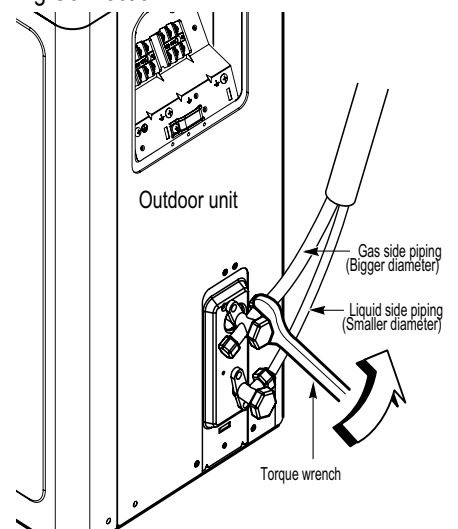


Figure 44: LSU240HEV1 Outdoor Unit Piping Connection.



INSTALLATION & LAYOUT BEST PRACTICES

Refrigerant Piping System Layout

Installation of Refrigerant Piping / Brazing Practices

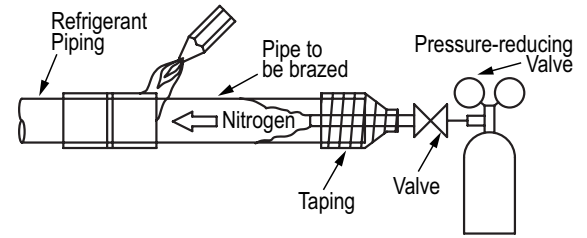
Note:

Keep the piping system free of contaminants and debris such as copper burrs, slag, or carbon dust during installation.

All joints are brazed in the field. Single Zone Mega refrigeration system components contain very small capillary tubes, small orifices, electronic expansion valves, oil separators, and heat exchangers that can easily become blocked. Proper system operation depends on the installer using best practices and utmost care while assembling the piping system (see Figure 45).

- While brazing, use a dry nitrogen purge operating at a minimum pressure of three (3) psig and maintain a steady flow.
- Blow clean all pipe sections with dry nitrogen prior to assembly.
- Use a tubing cutter, do not use a saw to cut pipe. De-burr and clean all cuts before assembly.
- Store pipe stock in a dry place. Keep pipe capped and clean.
- Use adapters to assemble different sizes of pipe.
- Do not use flux, soft solder, or anti-oxidant agents.
- Use a 15% silver phosphorous copper brazing alloy to avoid overheating and produce good flow.
- Protect isolation valves, electronic expansion valves, and other heat-sensitive control components from excessive heat with a wet rag or a heat barrier spray product

Figure 45: Refrigerant Pipe Brazing.



Refrigerant Piping System Insulation

All refrigerant piping, field-provided isolation ball valves, service valves, and elbows shall be completely insulated using closed cell pipe insulation. The liquid and vapor lines must be insulated separately.

To prevent heat loss/heat gain through the refrigerant piping, all refrigerant piping including liquid lines, and vapor lines shall be insulated separately. Insulation shall be a minimum 1/2" thick, and thickness needs to be increased based on ambient conditions and local codes.

All insulation joints are to be glued with no air gaps. Insulation material must fit snugly against the refrigeration pipe with no air space between it and the pipe. Insulation passing through pipe hangers, inside conduit, and/or sleeves must not be compressed. Protect insulation inside hangers and supports with a second layer. All pipe insulation exposed to the sun and outdoor elements shall be properly protected with PVC, aluminum vapor barrier, or alternatively placed in a weather-resistant enclosure such as a pipe rack with a top cover; and meet local codes.

The design engineer performs calculations to determine if the factory-supplied insulation jackets are sufficient to meet local codes and avoid sweating. Add additional insulation if necessary. Mark all pipes at the point where the insulation jacket ends. Remove the jacket. Install field provided insulation on the run-out and main trunk pipes first. Peel the adhesive glue protector slip from the insulation jacket and install the clam-shell jacket over the fitting.

Charging

Each outdoor unit is factory charged (nameplate charge) for the evaporator as well as a standard 24.6 ft line. Any time a line set is used longer than the standard 24.6 ft line set length, the refrigerant charge has to be adjusted.

You must adjust the charge based on how many feet of piping are added based on 0.22 or 0.33 oz of R410A per foot. The factory charge accommodates pipe lengths up to the standard length without requiring refrigerant removal.

Note:

If you are uncertain of the unit charge, reclaim, evacuate and weigh in the correct charge using the unit nameplate (capacity) charge adjusting for line sets longer than 24.6 ft. This will prevent any interruptions to the functioning of the unit and possible damage.

Example: A 30 ft line set is used --

$$5.4 \text{ additional feet} \times 0.33 \text{ oz per ft} = \text{Add } 1.78 \text{ oz of R410A}$$

Table 19: Charging Capacity.

Capacity (Btu/h)/Model	Pipe Size		Standard Length (ft)	Max. Elevation (ft)	Max. Length (ft)	Min. Length (ft)	Additional Refrigerant (oz/ft)
	Vapor	Liquid					
9k, 12k/HEV1	3/8	1/4	24.6	22.9	49.2	9.8	0.22
9k, 12k/HXV	3/8	1/4	24.6	22.9	49.2	6.6	0.22
18k/HEV1	1/2	1/4	24.6	32.8	65.6	9.8	0.33
24k/HEV1	5/8	1/4	24.6	32.8	65.6	9.8	0.33

ELECTRICAL CONNECTIONS

Outdoor Electrical Connection

1. Remove the control cover from the unit by loosening the fastening screw (Figures 46 to 48).
2. Take off the caps on the conduit panel.
3. Connect both the power supply and low voltage lines to the corresponding terminals on the terminal block (terminals block may be different depending on model).
4. Be sure to ground the unit by following local codes.
5. Allow for enough length (add several inches) for each wiring.
6. Secure the cable with a cord clamp.
7. Secure conduit tubes with lock nuts.
8. Reattach the control cover to the original position with the fastening screw.

Figure 46: LSU90-120HEV1, LSU90-120HXV Outdoor Unit Electrical Connection.

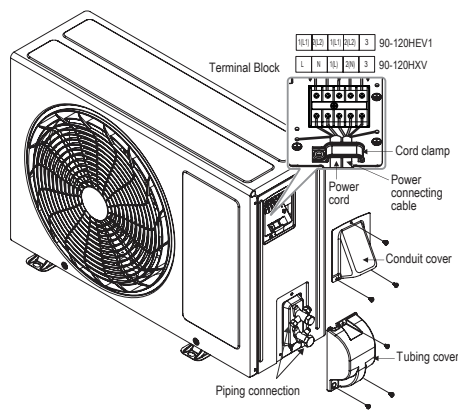


Figure 47: LSU180HEV1 Outdoor Unit Electrical Connection.

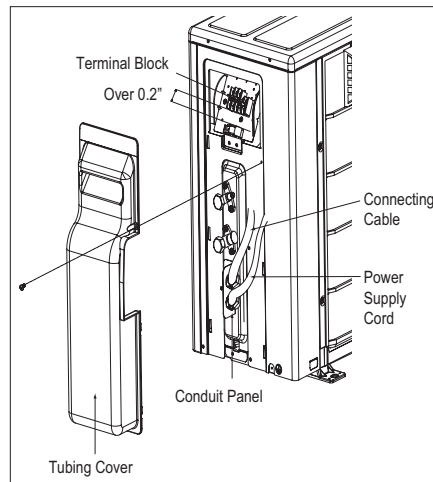
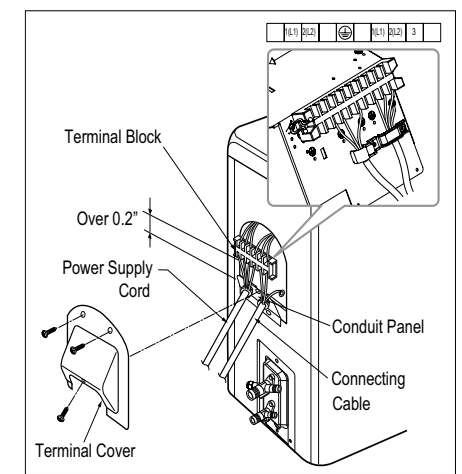


Figure 48: LSU240HEV1 Outdoor Unit Electrical Connection.



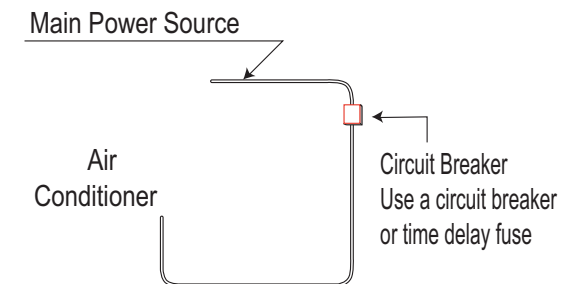
⚠ WARNING

- Separately wire the high and low voltage lines. There is a risk of electric shock, physical injury, or death.
- Use heat-proof electrical wire capable of withstanding temperatures up to 167°F to avoid wiring malfunction and electrical shock, which may cause physical injury or death.
- Ensure you connect the wire firmly. Loose wiring may cause unit malfunction, the wires to burnout or the terminal to overheat and catch fire. There is a risk of electric shock, physical injury or death.
- Use outdoor and waterproof connection cable rated up to 300V for the connection between the indoor and outdoor unit to avoid electrical shock, which may cause physical injury or death.

Note:

- Separately wire the high and low voltage lines to avoid damage to unit.
- Use heat-proof electrical wire capable of withstanding temperatures up to 167°F to avoid damage to unit.
- Always use a circuit breaker or time delay fuse when connecting electrical wiring to the unit.
- Ensure you connect the wire firmly. Loose wiring may cause unit malfunction, the wires to burnout or the terminal to overheat and catch fire. There is a risk of equipment malfunction or property damage.
- Use outdoor and waterproof connection cable rated up to 300V for the connection between the indoor and outdoor unit to avoid damage to the unit.
- Comply with local codes while running wire from the indoor unit to the outdoor unit.
- Do not allow wire to touch refrigerant tubing, the compressor or any moving parts since it can lead to mechanical failure.

Figure 49: Circuit Breaker.



ELECTRICAL CONNECTIONS

Figure 50: Terminal Block Wiring Diagram LS090HEV1
LS090HEV1

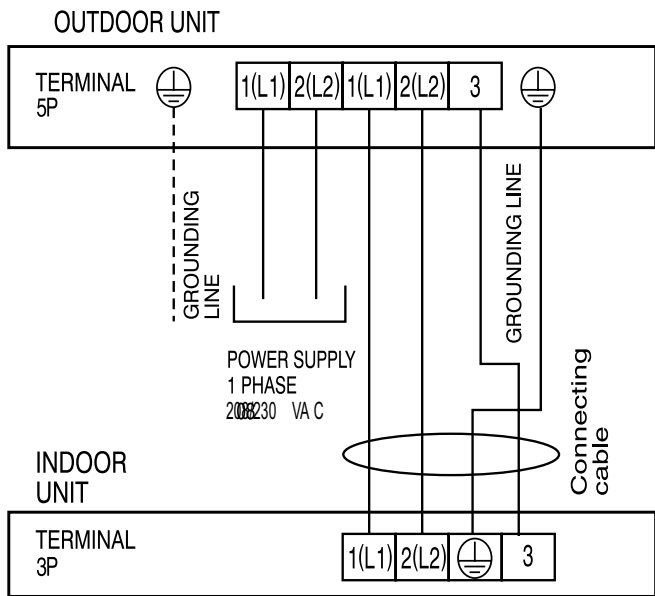


Figure 51: Terminal Block Wiring Diagram LS120HEV1
LS120HEV1

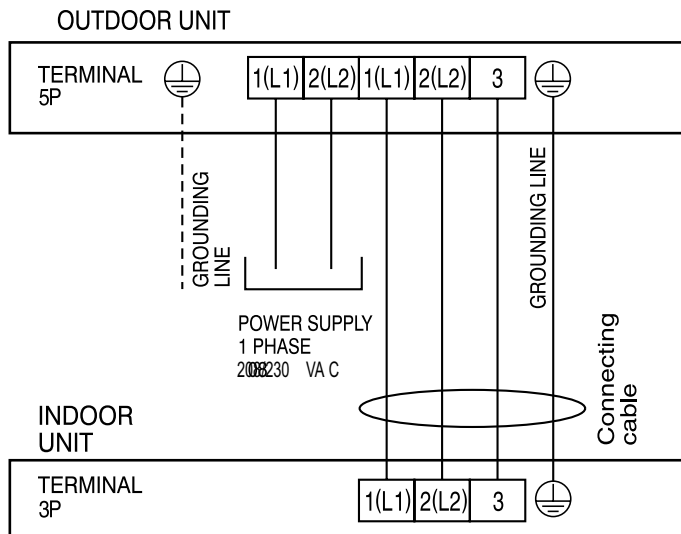


Figure 52: Terminal Block Wiring Diagram LS180HEV1, LS240HEV1
LS180HEV1, LS240HEV1

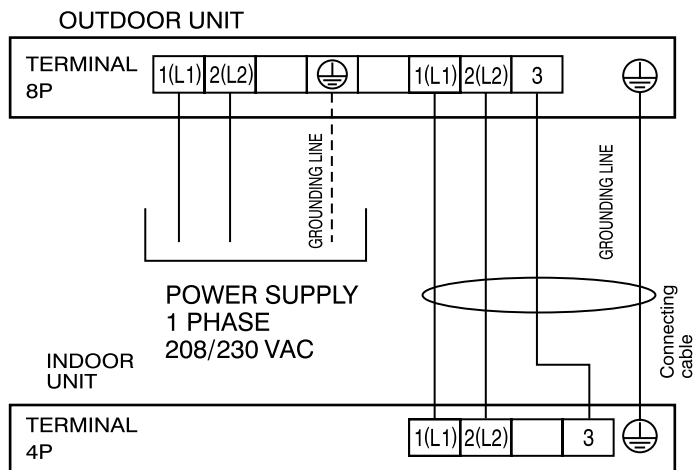
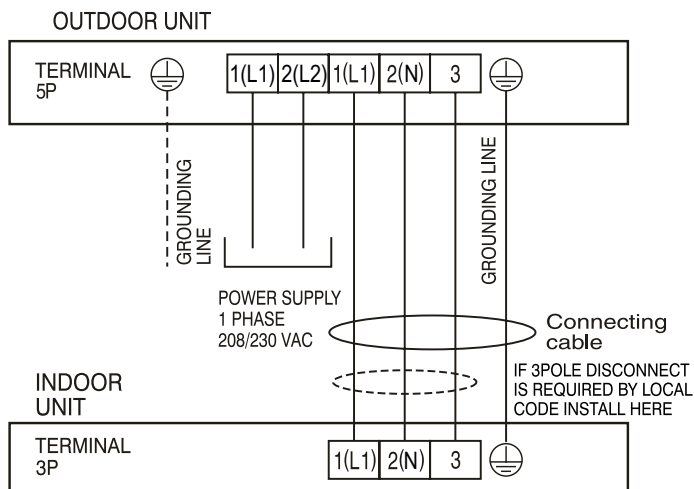


Figure 53: Terminal Block Wiring Diagram LS090HXV, LS120HXV
LSU090HXV, LSU120HXV



MECHANICAL SPECIFICATIONS

Single Zone Mega and Mega 115V

General

LG Single Zone Mega Wall Mounted system comprises of a single outdoor unit connected to a single indoor unit with a single refrigerant circuit.

An LG Single Zone Mega Inverter Wall Mounted system is a Duct-Free Split system that can operate in either cooling or heating mode. The system shall be capable of changing mode within a maximum time of three (3) minutes to ensure indoor temperature can be properly maintained.

LG Single Zone Mega systems are manufactured in a facility registered to ISO 9001 and ISO 14001, which is a set of standards applying to environmental protection set by the International Organization for Standardization (ISO). The units are listed by Intertek Electrical Testing Laboratories (ETL) and bear the ETL label. Wiring in these units are in accordance with the National Electrical Code (NEC).

Temperature Ranges

Mega (HEV1)

Operating ranges for outdoor unit of 14°F to 118°F (DB) for cooling; 14°F to 65°F (WB) for heating.

Operating ranges for indoor unit of 53°F to 75°F (WB) for cooling; 60°F to 86°F (DB) for heating.

Mega 115V (HXV)

Operating ranges for outdoor unit of 14°F to 118°F (DB) for cooling; 14°F to 65°F (WB) for heating.

Operating ranges for indoor unit of 53°F to 75°F (WB) for cooling; 60°F to 86°F (DB) for heating.

Casing / Frame

Outdoor unit is constructed with pre-coated metal (PCM).

Indoor unit is constructed of heavy duty Acrylonitrile Butadiene Styrene (ABS) and High Impact Polystyrene (HIPS) plastic.

Refrigerant System

The refrigeration system consists of a single refrigeration circuit and uses R410A refrigerant. The outdoor unit is provided with factory installed components, including a refrigerant strainer, check valves, oil separator, accumulator, four-way reversing valve, EEV, high and low side charging ports, service valves, and interconnecting piping.

Refrigeration Oil Control

Heat Pump outdoor units have a centrifugal oil separator and controls to ensure sufficient oil supply is maintained, and that oil does not travel with the refrigerant.

Compressors

The outdoor unit is equipped with one hermetic digitally controlled inverter driven rotary (9k/12k Btu/h systems) or twin-rotary (18k/24k Btu/h systems) compressor to modulate capacity (modulation in 1 Hz increments).

Frequency ranges for the (HEV1) outdoor units are:

9k Btu/h = 20 to 80 Hz

12k Btu/h = 20 to 90 Hz

18/24k Btu/h = 15 to 100 Hz

Frequency ranges for the (HXV) outdoor units are:

9k Btu/h = 15 to 100 Hz

12k Btu/h = 15 to 100 Hz

Over-current protection and vibration isolation are integrated with the compressor.

Outdoor Unit Coil

Heat Pump outdoor unit coils are of a nonferrous construction with louvered fins on copper tubing, and are protected with an integral coil guard. Coil fins have a factory applied corrosion resistant GoldFin™ material with hydrophilic coating.

Fans and Motors

The outdoor unit includes one direct drive, variable speed propeller type fan.

The Brushless Digitally Controlled (BLDC) fan motor has inherent protection, permanently lubricated bearings, and variable speed with a maximum speed up to 950 rpm. Raised guards are provided to limit contact with moving parts.

The outdoor unit has horizontal discharge airflow.

Electrical

The HEV model unit is available in a 208-230V 60 Hz, 1-phase power supply. The HXV model unit is available in a 115V 60 Hz, 1-phase power supply. The units are capable of operating within voltage limits of ±10% rated voltage, and include overcurrent protection.

Controls

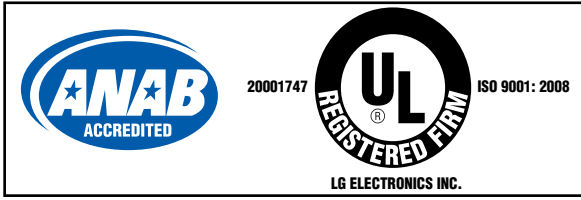
The unit is factory wired with necessary electrical control components, integral microprocessors, printed circuit boards, thermistors, sensors, terminal blocks, and lugs for power wiring.

Microprocessor-based algorithms provide component protection, soft-start capability, refrigeration system pressure, temperature, defrost, and ambient control.

Table 20: Table of Acronyms

ABS	Acrylonitrile Butadiene Styrene	IDU	Indoor Unit
AC	Air Conditioner	ISO	International Organization for Standardization
ACP	Advanced Control Platform	kW	Kilo Watts
ASHRAE	American Society of Heating, Refrigeration, and Air Conditioning	LED	Light Emitting Diode
AWG	American Wire Gauge	MBh	Thousands BTUs per hour
BLDC	Brushless Digitally Controlled/Direct	MCA	Maximum Circuit Ampacity
Btu/h	British Thermal Units per hour	MOP	Maximum Overcurrent Protection
BUS	Binary Unit System	MSC	Maximum Starting Current
CFM	Cubic Feet per Minute	NC	Noise Criterion (regarding Sound Pressure Levels)
COP	Coefficient Of Performance	NEC	National Electrical Code
CR	Combination Ratio	ODU	Outdoor Unit
DB	Dry Bulb	PCB	Printed Circuit Board
dB(A)	Decibels with "A" frequency weighting	PCM	Pre-Coated Metal
DDOAS	Decoupled Dedicated Outdoor Air	PDI	Power Distribution Indicator
DI	Digital Input	PI	Power Input
DO	Digital Output	PTAC	Packaged Terminal Air Conditioner
DPST	Double-Pole Single-Throw (switch)	PVC	Polyvinyl Chloride
EEV	Electronic Expansion Valve	SW or S/W	Switch
ELF	Equivalent Length in Feet	USB	Universal Serial BUS
ESP	External Static Pressure	VAC	Voltage Alternating Current
ETL	Electronic Testing Laboratories	VAV	Variable Air Volume
HIPS	High Impact Polystyrene	VRF	Variable Refrigerant Flow
H/M/L	High/Medium/Low	WB	Wet Bulb
HVAC	Heating, Ventilation and Air Conditioning		

Inverter



LG Electronics
Commercial Air Conditioning Division
11405 Old Roswell Road
Alpharetta, Georgia 30009
www.lghvac.com

LG Electronics Commercial Products Support
1-888-865-3026 USA
Follow the prompts for commercial A/C products.

EM-SZ_Mega_Mega115V-4-15
Supersedes: EM-SZ_Mega_Mega115V-10-14
DFS-EM-AL-001-US_014D09