

PRODUCT SPECIFICATIONS

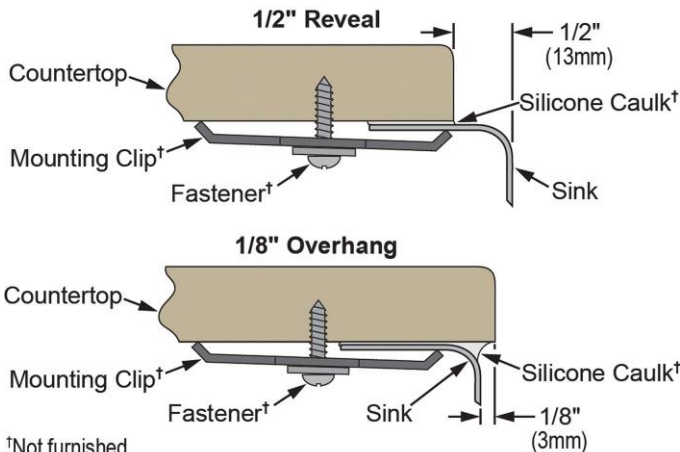
Gourmet (Lustertone®) Stainless Steel Single Bowl Undermount Sink. Overall dimensions are 14-1/2" x 14-1/2" x 7". Sink is manufactured from 18 gauge 304 Stainless Steel with a Lustrous Highlighted Satin finish, Rear Center drain placement, Full spray sides and bottom and Sides Only sound dampening pads.

Installation Type:	Undermount
Material:	304 Stainless Steel
Special Features:	Perfect Drain
Finish:	Lustrous Highlighted Satin
Gauge:	18
Sound Deadening:	Full spray sides and bottom
Sound Dampening Pads:	Sides Only
Number of Bowls:	1
Sink Dimensions:	14-1/2" x 14-1/2" x 7"
Bowl 1 Dimensions:	12" x 12" x 7"
Drain Size:	3-3/8" (86mm)
Drain Location:	Rear Center
Minimum Cabinet Size:	18"
Mounting Hardware:	Undermount brackets sold separately
Template Included:	Yes
Cutout Template #:	1000001423

Template is available for download at [elkay.com](#)

Perfect Drain: Seamlessly welded stainless steel collar eliminates the gap between a traditional drain and the sink for a sanitary and gap free installation. An InSinkErator® garbage disposer can be installed on either sink bowl for user convenience.. **Patent Pending**

Installation Profile:



†Not furnished
Designed to affix to the underside of any solid surface countertop.

PART: _____ QTY: _____
 PROJECT: _____
 CONTACT: _____
 DATE: _____
 NOTES: _____
 APPROVAL: _____



Included with Product: LKPD1 Perfect Drain Strainer Assemblies

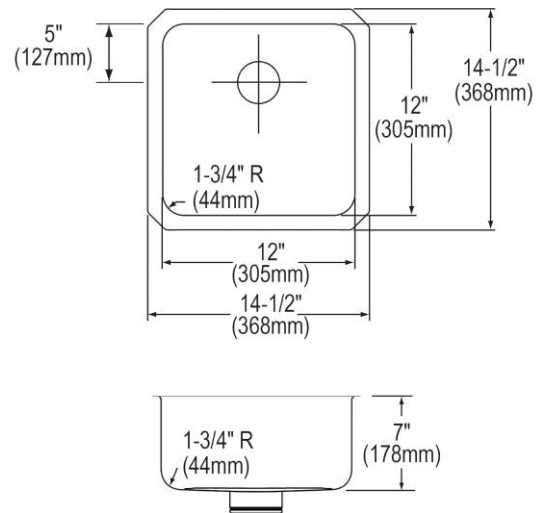
AMERICAN PRIDE. A LIFETIME TRADITION. Like your family, the Elkay family has values and traditions that endure. For almost a century, Elkay has been a family-owned and operated company, providing thousands of jobs that support our families and communities.



Sinks are listed by IAPMO® as meeting the applicable requirements of the Uniform Plumbing Code®, International Plumbing Code®, and National Plumbing Code of Canada.

Product Compliance: BUY AMERICAN ACT
 ASME A112.19.3/CSA B45.4
 Accessory: ASME A112.18.2/CSA B125.2

[Clean and Care Manual \(PDF\)](#)
[Installation Instructions \(PDF\) - 1000002045](#)
[Installation Instructions \(PDF\) - 74180289 Disposer](#)
[Installation Instructions \(PDF\) - 74180340-USA Drain](#)
[Limited Lifetime Warranty \(PDF\)](#)



In keeping with our policy of continuing product improvement, Elkay reserves the right to change product specifications without notice. Please visit [elkay.com](#) for the most current version of Elkay product specification sheets. This specification describes an Elkay product with design, quality, and functional benefits to the user. When making a comparison of other producers' offerings, be certain these features are not overlooked.

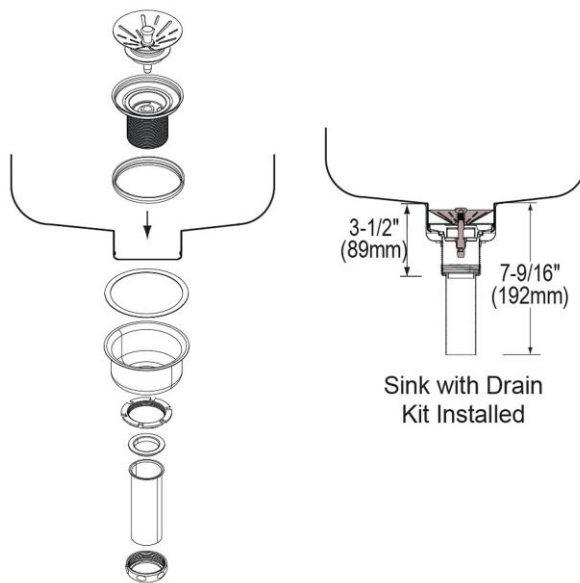
OPTIONAL ACCESSORIES

Cutting Board:	CB912
Faucet:	LKGT1042, LKGT2042
Hardware:	LKUCLIP8
Rinsing Basket:	LKW RB1209SS
Sinkmate:	LKSM17, LKSMHOOK, LKSMSPONGE, LKSMHSL
Soap Dispenser:	LKGT1054

in sink erator®

Elkay® Perfect Drain™ sinks are designed and approved for compatible disposers manufactured by InSinkEerator® utilizing the Quick Lock® mounting configuration. Use of non-approved disposers may void Elkay warranty.

InSinkEerator, Quick Lock and the mounting collar configuration are trademarks of Emerson Electric Co.

In keeping with our policy of continuing product improvement, Elkay reserves the right to change product specifications without notice. Please visit elkay.com for the most current version of Elkay product specification sheets. This specification describes an Elkay product with design, quality, and functional benefits to the user. When making a comparison of other producers' offerings, be certain these features are not overlooked.

Elkay Sinks, Faucets and Accessories Care and Cleaning

Sinks

Stainless Steel

- General cleaning: use an ordinary mild detergent and soft cloth, rinse and towel dry.
- Steel soap pads should never be used; particles can adhere to a stainless steel sink surface and will eventually rust.
- Light scratches are normal for stainless steel sinks; over time they will blend into the uniform finish pattern.
- Do not use dish mats as these can trap soap and dirt making sink maintenance more time-consuming.
- We recommend the use of an Elkay bottom grid or rinsing basket to protect your sink.

Stainless Steel Mirror or Hammered Mirror

- General cleaning: use an ordinary mild detergent and soft cloth, rinse and towel dry.
- Never use abrasive cleaners, including steel soap pads.

Antique Copper Hammered

- General cleaning: use non-abrasive, non-detergent soap and a soft cloth, rinse and towel dry.
- Never use abrasives, metal (copper) cleaners, scouring pads, lime or rust removal, alkaline-based, ammonia-based or acidic-based chemicals or cleaning products.
- Acidic foods such as juices and ketchup can remove the patina if left on the sink.
- Hard water spots and mineral deposits can be difficult to remove and may result in damage to the patina.
- Light scratches are normal for copper sinks; over time they will blend into the uniform finish pattern.
- Copper has a living finish and its surface tarnishes naturally. You can expect tarnish, scratches, and dents to appear in your sink over time.

CuVerro® Anti-microbial Copper

- Clean the surface to regular hospital protocols (i.e. appropriate disinfectants, frequency, etc.); be sure to rub in the direction of the satin finish grain lines; rinse and towel dry.
- Use a cleaner that will not leave a wax film or coating on the surface, so that cleaning will not interfere with the antimicrobial action of the surface.
- Never use abrasives, metal (copper) cleaners, scouring pads, lime or rust removal, alkaline-based, ammonia-based or acidic-based chemicals or cleaning products.
- Light scratches are normal for copper sinks; over time they will blend into the uniform finish pattern.

Cast Brass

- General cleaning: use a non-abrasive, non-detergent soap with a soft cloth, rinse and towel dry.
- Never use abrasives, metal cleaners, scouring pads, lime or rust removal, alkaline-based, ammonia-based or acidic-based chemicals or cleaning products.
- Brass has a living finish and its surface tarnishes naturally. You can expect tarnish, scratches, and dents to appear in your sink over time.
- Surface waxing is recommended. Each sink provides a factory applied layer of wax. However, after time and use, this wax layer will need to be rejuvenated. Johnson's or Trewax Sealer Finish for floors is recommended. Do not use any waxes that contain polishing agents.

e-granite™

- Most dirt and stains: Wipe with a damp cotton cloth/sponge and soapy water. Towel dry with a cotton cloth.
It is recommended that you clean your sink prior to first use.
- Stubborn stains and water marks: Wipe with a Mr. Clean® Magic Eraser® and either water or a 50/50 white vinegar and water solution. Towel dry with a cotton cloth.
- Difficult stains: Use a 3M Scotch-Brite™ Heavy Duty Scour Pad with either water, 50/50 white vinegar/water solution or non-abrasive cleaner. Start cleaning in a circular motion with constant pressure over the area of the stain, rinse thoroughly with water and dry with a cotton cloth. Let dry 5-10 minutes. If stain persists, repeat.

Elkay Sinks, Faucets and Accessories Care and Cleaning

Sinks (cont.)

Fine Fireclay

- General cleaning: use soapy water or vinegar-based cleaner and a sponge and towel dry.
- Water marks: wipe with damp cloth and towel dry.
- Difficult stains: use a 50/50 water/bleach solution or non-abrasive cleaners (follow cleaner manufacturer's instructions), rinse and towel dry.
- Do not use strong chemicals such as paint removers or oven cleaners, straight or undiluted bleach solution, abrasive cleaning products, scouring pads, steel wool or caustic solutions containing ammonia or alkalis.
- Do not set hot pans directly into sink.
- Run cold water when pouring boiling water into sink.

Faucets

- Simply wipe gently with a damp cloth and blot dry with a soft towel.
- Avoid build-up of soap or mineral deposits, as these tend to have an adverse effect on the appearance of the product.
- NEVER use cleaning products of any kind on this product—especially those containing ammonia, bleach or alcohol—or those with any form of abrasive.

Accessories

- Elkay colanders, cutting boards, rinsing baskets and bottom grids are not designed as “Dishwasher Safe” or “Microwave Safe”. These products should be hand washed in a mild detergent, rinsed thoroughly and hand dried.
- For wood cutting boards – apply a coat of mineral oil to all wood surfaces on a monthly basis or more frequently if needed.
- The following are recommendations from the USDA regarding cutting boards:
 - Always use a clean cutting board.
 - If possible, use one cutting board for fresh produce and a separate one for raw meat, poultry, and seafood.
 - Once cutting boards become excessively worn or develop hard-to-clean grooves, you should replace them.