

PRODUCT SPECIFICATIONS

Harmony™ E-Granite™ Single Bowl Top Mount Sink. Overall dimensions are 33" x 22" x 9-1/2". Sink is molded with up to 80% natural quartz and high performance acrylic resins that are non-porous providing superior heat, scratch, fade and stain resistance. Naturally sound deadening and Rear Right drain placement.

| | |
|------------------------------|---|
| Installation Type: | Top Mount |
| Material: | E-Granite |
| Finish: | Bisque (BQ), Black (BK), Dusk Gray (GY), Greige (GR), Greystone (GS), Mocha (MC), Pecan (PC), Putty (PT), Sand (SD), White (WH) |
| Number of Bowls: | 1 |
| Sink Dimensions: | 33" x 22" x 9-1/2" |
| Bowl 1 Dimensions: | 30-5/16" x 17-7/8" x 9-1/2" |
| Drain Size: | 3-1/2" (89mm) |
| Drain Location: | Rear Right |
| Minimum Cabinet Size: | 36" |
| Mounting Hardware: | Part # 0000000222 included for countertops up to 1-3/4" (44mm) thick |
| Cutout Template #: | 0000001442 |

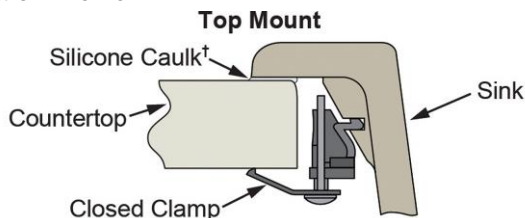
Template is available for download at [elkay.com](#)

Cutout Dimensions for Top Mount Installation:

32-3/8" x 21-3/8" (822mm x 543mm) with 1/2" (13mm) corner radius



Installation Profile:



†Not furnished
Maximum thickness for use of hold down system is 1-3/4" (44mm).

PART: _____ QTY: _____
 PROJECT: _____
 CONTACT: _____
 DATE: _____
 NOTES: _____
 APPROVAL: _____



AMERICAN PRIDE. A LIFETIME TRADITION.
Like your family, the Elkay family has values and traditions that endure. For almost a century, Elkay has been a family-owned and operated company, providing thousands of jobs that support our families and communities.



Sinks are listed by IAPMO® as meeting the applicable requirements of the Uniform Plumbing Code®, International Plumbing Code®, and National Plumbing Code of Canada.

Product Compliance: CSA B45.5/IAPMO Z124

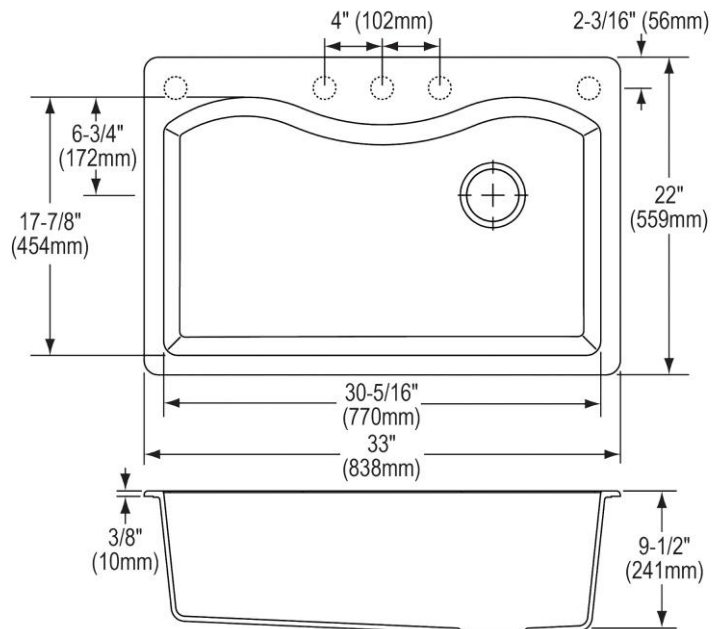
[Clean and Care Manual \(PDF\)](#)

[Installation Instructions \(PDF\)](#)

[Limited Lifetime Warranty \(PDF\)](#)

1-1/2" (38mm) Diameter Faucet Holes are Pre-Scored.

Installer can punch up to 5 faucet holes.



In keeping with our policy of continuing product improvement, Elkay reserves the right to change product specifications without notice. Please visit [elkay.com](#) for the most current version of Elkay product specification sheets. This specification describes an Elkay product with design, quality, and functional benefits to the user. When making a comparison of other producers' offerings, be certain these features are not overlooked.

OPTIONAL ACCESSORIES

| | |
|------------------------|------------------------------|
| Bottom Grid: | LKWOBG3017RSS |
| Cutting Board: | LKCB1417HW |
| Drain: | LKD35, LKS35 |
| Faucet: | LKHA1031, LKHA2031, LKHA3041 |
| Rinsing Basket: | LKWRB1414SS, LKWERBSS |
| Soap Dispenser: | LKHA1054 |

In keeping with our policy of continuing product improvement, Elkay reserves the right to change product specifications without notice. Please visit elkay.com for the most current version of Elkay product specification sheets. This specification describes an Elkay product with design, quality, and functional benefits to the user. When making a comparison of other producers' offerings, be certain these features are not overlooked.