



3X LAYER
MESH FILTER

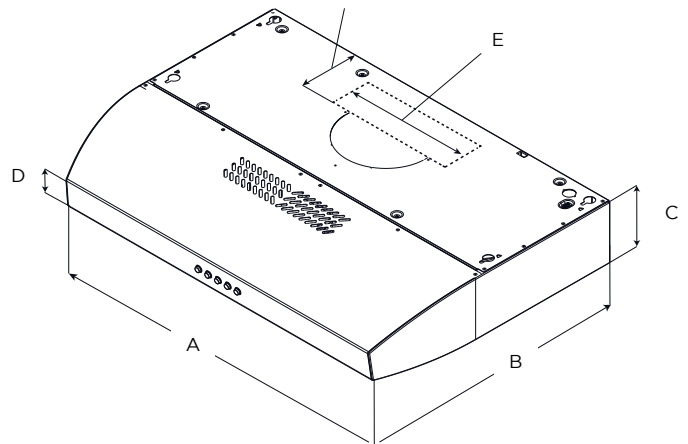


LED LIGHT

ELICA'S EXCLUSIVE
PLUS FEATURES

The slim Allasio with 4 3/4" height is ideal where under-cabinet space is limited, plus the contemporary styling and gleaming colors will compliment other appliances and most cabinetry. Allasio features a 3-speed, 300 CFM internal blower, which provides sufficient ventilating power for most kitchens. The attractive, backlit push button controls illuminate an elegant blue glow when activated and allows the user to manage blower speeds and dual LED lamps.

Dishwasher-safe anodized aluminum mesh filters are easy to clean and a snap to remove and replace. Available in 30" or 36" widths, Allasio is designed for standard ducted installation, and can be installed as a recirculating system, using the Recirculating Kit.



	EAL330S1	EAL336S1
A	30" (76.2 cm)	36" (91.4 cm)
B	20" (50.8 cm)	
C	4 7/8" (12 cm)	
D	2 5/8" (5.7 cm)	
E	3 1/4" x 10" (8.3 x 25.4 cm)	
F	5 1/8" (13 cm)	

SPECIFICATIONS



	30" UNIT	36" UNIT
Model:	EAL330S1	EAL336S1
Dimensions:	30" W x 20" D x 4 3/4" H	36" W x 20" D x 4 3/4" H
Blower Type(internal):	300 CFM (3 -speed)	
Blower Performance:		
Speed 1	120 CFM	
Speed 2	210 CFM	
Speed 3	300 CFM	
Noise (sones):	Min: 1.5, Max: 5.9	
Woking Speed		
Finish:	Stainless Steel	
Controls:	Backlit Electronic Push Buttons	
Illumination:	2 LED, 2.5 Watts	
(replaceable lamps 1 intensity)		
Filter Type:	Dishwasher-Safe, Anodized Aluminum Mesh Filter	
Aluminum Mesh Filters:	1	2
Duct Transition:	6" Round with Back Draft Damper (top only)	
Installation Type:	Ducted (Recirculating Kit sold separately)	
Electrical:	120V - 60 Hz 289 Watts at 2.43 Amps	
KITS:		
Recirculating Kit with 2 carbon filters:	KIT02178	KIT02179
Non return valve/back-draft damper 7" round:	KIT02723	
CONSUMABLE PARTS:		
Grease Filter (1):	GF04BA	GF04BB
Carbon Filter (1):	TM01FA	TM01FB
Replacement Light Bulb (1):	LMP0117673	

*Consumable parts are sold in units of one (1). Order accordingly

*The product images shown are for illustration purposes only and may not be an exact representation of the product.

PLUS FEATURES



3X LAYER GREASE FILTER - Elica aluminum mesh filters are a step above competition, featuring triple layered, anodized aluminum that is woven into a highly dense mesh. The thick mesh captures more grease, anodization helps resist staining and provides durability to repeated cleanings in the dishwasher.



LED LIGHT - LED lighting is undoubtedly the smartest solution in terms of energy saving. Expected life time of over 20,000 hours, represents the most remarkable advantage of LED light bulbs.