

**EN** Instruction on mounting and use  
**FR** Prescriptions de montage et mode d'emploi  
**ES** Montaje y modo de empleo

**ESS432SS**

**READ AND SAVE THESE INSTRUCTIONS  
LISEZ CES INSTRUCTIONS ET CONSERVEZ-LES  
LEA Y GUARDE ESTAS INSTRUCCIONES**

**THIS MANUAL IS FOR USE ONLY IN USA AND CANADA  
CE MANUEL EST UNIQUEMENT VALABLE AUX USA ET AU CANADA  
ESTE MANUAL ES PARA USO EXCLUSIVO EN EE.UU. Y CANADÁ**

**elica®**

# 1. SAFETY INFORMATION

## IMPORTANT SAFETY INSTRUCTION

### READ AND SAVE THESE INSTRUCTIONS

APPROVED FOR RESIDENTIAL APPLIANCES  
FOR RESIDENTIAL USE ONLY  
READ AND SAVE THESE INSTRUCTIONS

PLEASE READ ENTIRE INSTRUCTIONS BEFORE  
PROCEEDING.

INSTALLATION MUST COMPLY WITH ALL LOCAL  
CODES.

**IMPORTANT:** Save these Instructions for the Local  
Electrical Inspector's use.

**INSTALLER:** Please leave these Instructions with this  
unit for the owner.

**OWNER:** Please retain these instructions for future  
reference.

**Safety Warning:** Turn off power circuit at service panel  
and lock out panel, before wiring this appliance.

**Requirement:** 120V, 60 Hz, 15 or 20 A Branch Circuit

Removing the packaging

**CAUTION!**

Remove carton carefully, Wear gloves to protect  
against sharp edges.

**WARNING!**

Remove the protective film covering the product before  
putting into operation.

**NOM**



**Range Hood:** ESS432SS

**Rated Voltage:** 120 V~

**Frequency:** 60 Hz

**Power consumption:** 300 W

**Current consumption:** 2,5 A

**Maximum lamp power:** 4x7 W + 1x9 W LED

**Number:** 1 piece.

**Made in Italy**

**Manufactured by:** Elica SPA

**Imported by :** ELICAMEX S.A. de C.V.

**Address:** Av. La Noria (Prolongación) No. 102, Col.  
Ampliación Parque Industrial Querétaro, Santa Rosa  
Jauregui, C.P. 76215, Querétaro, México. R.F.C.

ELI060102RK8

Tel. 81 8625 5000 - Cel. 55 3955 8770

**\*** : the items marked with this symbol are optional  
accessories supplied only with some models or items that  
cannot be supplied but can be purchased.

#### **Important Safety Notice**

**CAUTION**

**FOR GENERAL VENTILATING USE ONLY. DO NOT  
USE TO EXHAUST HAZARDOUS OR EXPLOSIVE  
MATERIALS OR VAPOURS.**

**WARNING**

**TO REDUCE THE RISK OF FIRE, ELECTRIC SHOCK,  
OR INJURY TO PERSONS, OBSERVE THE  
FOLLOWING:**

**A.** Use this unit only in the manner intended by the  
manufacturer. If you have questions, contact the  
manufacturer.

**B.** Before servicing or cleaning the unit, switch power off at  
service panel and lock service panel disconnecting means  
to prevent power from being switched on accidentally.  
When the service disconnecting means cannot be locked,  
securely fasten a prominent warning device, such as a tag,  
to the service panel.

**WARNING**

**TO REDUCE THE RISK OF FIRE, ELECTRIC SHOCK,  
OR INJURY TO PERSONS, OBSERVE THE  
FOLLOWING:**

**A.** Installation Work and Electrical Wiring Must Be Done By  
Qualified Person(s) In Accordance With All Applicable  
Codes & Standards, Including Fire-rated Construction.

**B.** Sufficient air is needed for proper combustion and  
exhausting of gases through the flue (Chimney) of fuel  
burning equipment to prevent back-drafting. Follow the  
heating equipment manufacturers guideline and safety  
standards such as those published by the National Fire  
Protection Association (NFPA), the American Society for  
Heating, Refrigeration and Air Conditioning Engineers  
(ASHRAE), and the local code authorities.

**C.** When cutting or drilling into wall or ceiling, do not  
damage electrical wiring and other hidden utilities.

**D.** Ducted fans used to exhaust contaminants must always  
be vented to the outdoors.

**WARNING**

**TO REDUCE THE RISK OF FIRE, USE ONLY METAL  
DUCT WORK.**

Install this hood in accordance with all requirements  
specified.

## WARNING

**To Reduce The Risk Of Fire Or Electric Shock, Do Not Use This Hood With Any External Solid State Speed Control Device.**

## WARNING

**TO REDUCE THE RISK OF A RANGE TOP GREASE FIRE.**

- a) Never leave surface units unattended at high settings. Boilovers cause smoking and greasy spillovers that may ignite. Heat oils slowly on low or medium settings.
- b) Clean ventilating fans frequently. Grease should not be allowed to accumulate on fan or filter.
- c) Use proper pan size. Always use cookware appropriate for the size of the surface element.

## WARNING

**TO REDUCE THE RISK OF INJURY TO PERSONS, IN THE EVENT OF A RANGE TOP GREASE FIRE, OBSERVE THE FOLLOWING:**

- a) **SMOTHER FLAMES** with a close-fitting lid, cookie sheet, or other metal tray, then turn off the gas burner or the electric element. **BE CAREFUL TO PREVENT BURNS.** If the flames do not go out immediately, **EVACUATE AND CALL THE FIRE DEPARTMENT.**
- b) **NEVER PICK UP A FLAMING PAN** - you may be burned.
- c) **DO NOT USE WATER**, including wet dishcloths or towels - a violent steam explosion will result.
- d) Use an extinguisher **ONLY** if:
  - 1) You know you have a class ABC extinguisher, and you already know how to operate it.
  - 2) The fire is small and contained in the area where it started.
  - 3) The fire department is being called.
  - 4) You can fight the fire with your back to an exit.

Based on "Kitchen Firesafety Tips" published by NFPA.

## WARNING

**TO REDUCE THE RISK OF FIRE, ELECTRIC SHOCK OR INJURY TO PERSONS, DO NOT USE REPLACEMENT PARTS THAT HAVE NOT BEEN RECOMMENDED BY THE MANUFACTURER (E.G. PARTS MADE AT HOME USING A 3D PRINTER).**

## OPERATION

Always leave safety grills and filters in place. Without these components, operating blowers could catch onto hair, fingers and loose clothing.

The manufacturer declines all responsibility in the event of failure to observe the instructions given here for installation, maintenance and suitable use of the product. The

manufacturer further declines all responsibility for injury due to negligence and the warranty of the unit automatically expires due to improper maintenance.

- This device is not intended for use by persons (including children) whose physical, sensory or mental abilities are different or reduced, or who lack experience or knowledge unless such persons receive supervision or training for the operation of the device by a person responsible for your safety.
- Children should be supervised to ensure they do not use the devices as a toy.
- Do not flame food under the kitchen hood.
- There must be adequate ventilation in the room, when the range hood is used at the same time as appliances that consume gas or other fuels. (DOES NOT APPLY FOR RANGEHOODS THAT ARE ONLY RECYCLING MODE).
- There is a risk of fire, if the cleaning is not carried out in accordance with the instructions.
- The discharge air must not be sent through a duct that is used to evacuate fumes from appliances that consume gas or other fuels. (DOES NOT APPLY FOR RANGEHOODS THAT ARE ONLY RECYCLING MODE).
- Must be complied with regulations relate to the evaluation of the air discharge.
- In the event that your power cord is damaged in part or in full, do not try to repair it by contacting the service center marked on your warranty or by a specialist technician for replacement.
- **WARNING:** Incorrect placement of screws or fasteners or mounting devices according to these instructions may result in electrical hazards.
- **CAUTION:** Accessible parts of the hood may become hot when used with cooking appliances.

## Electrical & Installation Requirements

### Electrical Requirements

#### IMPORTANT

Observe all governing codes and ordinances.

It is the customer's responsibility:

To contact a qualified electrical installer.

To assure that the electrical installation is adequate and in conformance with National Electrical Code, ANSI/NFPA 70 — latest edition\*, or CSA Standards C22.1-94, Canadian Electrical Code, Part 1 and C22.2 No.0-M91 - latest edition\*\* and all local codes and ordinances.

If codes permit and a separate ground wire is used, it is recommended that a qualified electrician determine that the ground path is adequate.

#### IMPORTANT

**Save Installation Instructions for electrical inspector's use.**

The range hood should be connected directly to the fused disconnect (Or circuit breaker).

Wire sizes must conform to the requirements of the National Electrical Code ANSI/NFPA 70 — latest edition\*, or CSA Standards C22.1-94, Canadian Electrical Code Part 1 and C22.2 No. 0-M91 - latest edition\*\* and all local codes and ordinances.

A U.L.- or C.S.A.-listed conduit connector must be provided at each end of the power supply conduit (at the appliance and at the junction box).

Copies of the standards listed may be obtained from:

\* National Fire Protection Association Batterymarch Park Quincy, Massachusetts 02269

\*\* CSA International 8501 East Pleasant Valley Road Cleveland, Ohio 44131-5575

**The product is meant for connecting directly to the mains supply, therefore apply a regulation bipolar switch that ensures complete disconnection from the mains in the conditions of category III over-tension, conforming to the installation rules.**

#### Before installing the hood

At least two people are necessary for installation. Wear gloves to protect against sharp edges.

All fastener location must span the studs otherwise proceed as follows:

Cutout drywall along marked lines. Install wood blocking between studs and make sure it is flush with existing stud front. Make sure all mounting screws will anchor to added studs. Replace drywall and refinish.

**When used in recirculation mode, To Reduce the Risk of Fire and Shock use only conversion kit Model: Kit carbon filter Shell.**

## 2. USE

The hood has been made for use in the internal recirculating filtering version.

Cooking fumes and steam are aspirated inside the hood, filtered and cleaned, passing through the fat filter/s and the carbon filter/s that **MUST** be supplied with the hood.

## 3. INSTALLATION

**Specialised personnel must carry out both the electrical and the mechanical installation.**

Do not cut a joist or stud unless absolutely necessary. If a joist or stud must be cut, then a supporting frame must be constructed.

Fittings material is provided to secure the hood to most types of walls/ceilings. However, a qualified technician must verify suitability of the materials in accordance with the type of wall/ceiling.

**CAUTION: The means of fixing supplied with the hood, are exclusively suitable for fixing on concrete or brick ceiling.**

Before making cutouts, make sure there is proper clearance within the ceiling or wall for exhaust vent.

Hood installation height above cooktop is the users preference.

**CAUTION: FOR GAS RANGES INSTALLATION: MOUNT THIS HOOD SO THAT THE BOTTOM EDGE IS AT 30" (76,2 CM) ABOVE THE COOKING SURFACE.**

**FOR ELECTRIC RANGES INSTALLATION: MOUNT THIS HOOD SO THAT THE BOTTOM EDGE IS NOT LESS THAN 24" (61 CM) ABOVE THE COOKING SURFACE.**

**HOUSEHOLD USE. PLEASE, READ INSTALLATION MANUAL FOR SPECIFIC APPLICATION.**

**If the instructions for installation for the gas hob specify a greater distance, this must be adhered to.**

**Check your ceiling height and the hood height maximum before you select your hood.**

Consult last pages of this manual for installation instruction and electrical connection steps.

## 4. OPERATION



This product is configured for operation with a remote control supplied with the product or purchased separately as an optional accessory.

In order to be able to use this product, the remote control must be paired.

#### CAUTION!

To begin, the hood must be disconnected and then reconnected to the power supply and the affiliation procedure must be carried out within the first minute of connection to the power.

Read the instructions supplied with the remote control, which provide detailed instructions on affiliation and correct use.

**Note:** if the hood does not work, make sure that it is ON by using the ON/OFF button.

## 5. MAINTENANCE

### User Servicing and Maintenance Instructions

- **Cleaning:** For cleaning, simply use a cloth moistened with neutral liquid detergents. Do not use cleaning tools or instruments.
- Avoid the use of abrasive products. DO NOT USE ALCOHOL!

#### • **XA** Grease filter maintenance:

##### Traps grease particles generated by cooking.

Must be cleaned once a month (or when indicated by the filter saturation indication system), with non-aggressive detergents, either by hand or in the dishwasher at low temperatures and in a short cycle. When cleaned in the dishwasher, the metal grease filter may discolour, but its filtering characteristics remain unchanged.

To remove the anti-grease filter, pull the spring release handle.

#### • **XB** Washable activated carbon filter (for filter version only):

The carbon filter can be washed every two months (or when indicated by the filter saturation system - if included in your model). As indicated in the drawing section: remove the grease filter, remove the carbon filter and wash using hot water and suitable detergents or in a dishwasher at 149°F (65°C) (if washing in a dishwasher, carry out the complete washing cycle without dishes inside). Remove any excess water without damaging the filter, then place it in the oven for 10 minutes at 212°F (100°C) to dry it out completely. Put the anti-grease filters back in place. Replace the foam layer every 3 years and each time the cloth appears damaged.

#### • **illumination**

- The lighting system is based on LED technology. LEDs provide optimal illumination, last up to 10 times longer than conventional lamps and save 90% of electricity.
- **Lighting system** : The lighting system cannot be replaced by the user, contact Customer Service in case of malfunction.

# ELICA North America

## TWO-YEAR LIMITED WARRANTY

Register your product in

**elica.com**

and earn a 3<sup>rd</sup> year of factory warranty, covering all parts plus in-home labor.

### TO OBTAIN SERVICE UNDER WARRANTY

Owner must present proof of original purchase date. Please keep a copy of your dated proof of purchase (sales slip) in order to obtain service under warranty.

### PARTS AND SERVICE WARRANTY

For the period of two (2) years from the date of the original purchase, Elica will provide free of charge, non consumable parts or components that failed due to manufacturing defects. During these two (2) years limited warranty, Elica will also provide free of charge, all labor and in-home service to replace any defective parts.

### WHAT IS NOT COVERED

- Damage or failure to the product caused by accident or act of God, such as, flood, fire or earthquake.
- Damage or failure caused by modification of the product or use of non-genuine parts.
- Damage or failure to the product caused during delivery, handling or installation.
- Damage or failure to the product caused by operator abuse.
- Damage or failure to the product caused by dwelling fuse replacement or resetting of circuit breakers.
- Damage or failure caused by use of product in a commercial application.
- Service trips to dwelling to provide use or installation guidance.
- Light bulbs, metal or carbon filters and any other consumable part.
- Normal wear of finish.
- Wear to finish due to operator abuse, improper maintenance, use of corrosive or abrasive cleaning products/pads and oven cleaner products.
- When the product has not been operated in accordance with the accompanying instructions for use.

### WHO IS COVERED

This warranty is extended to the original purchaser for products purchased for ordinary residential use in North America (Including the United States, Guam, Puerto Rico, US Virgin Islands & Canada) and Latin America

For any aesthetic defect there is a limited warranty for thirty (30) days from the date of purchase by the end user. (Latin America)

This warranty is non-transferable and applies only to the original purchaser and does not extend to subsequent owners of the product. This warranty is made expressly in lieu of all other warranties, expressed or implied, including, but not limited to any implied warranty of merchantability or fitness for a particular purpose and all other obligations on the part of Elica North America, provided, however, that if the disclaimer of implied warranties is ineffective under applicable law, the duration of any implied warranty arising by operation of law shall be limited to two (2) years from the date of original purchase at retail or such longer period as may be required by applicable law.

This warranty does not cover any special, incidental and/or consequential damages, nor loss of profits, suffered by the original purchaser, its customers and/or the users of the Products.

### WHO TO CONTACT

To obtain service under warranty or for any service related question:

COUNTRY	COMPANY	E-MAIL FROM TECHNICAL SERVICE	PHONE TECHNICAL SERVICE
USA & CANADA (Western provinces)	SERVICE POWER	elica@servicepower.com	888 732 8018
CANADA (Province of Ontario)	AGI SERVICE	service@agintl.qc.ca	888 651 2534
CANADA (Quebec and Atlantic provinces)	ATELIERTS G. PAQUETTE	service@atellersgpaquette.com	800 463 0119
MEXICO	ARTEXA MEXICO S.A. DE C.V.	servicio@artexa.com	+ 52 81 8625 5063
BRAZIL	LOFRA SUDAMERICA LTDA	carlos@lofra.com.br	+41 3661 7006
PERU	LINEA HOGAR	flavio.figari@appliancecenter.pe	+ 51 1 2418055

Artexa Mexico S.A. de C.V. Address: Cañon Grande # 7720, Col. La Estanzuela, Monterrey, N.L., 64984, ☎ 55 3955 8770 Mexico If there is no distributor in your area, please go to [www.elica.com/asistencia](http://www.elica.com/asistencia) \*\*\*Just for Mexico

To ensure prompt after-sales service, when you call we will kindly ask you to provide the following information indicated on the nameplate inside the hood: **hood model, 12 NC and date of purchase on original invoice.** To access the nameplate, all you have to do is remove the grease filters.

**12NC:** \_\_\_\_\_

**Hood model:** \_\_\_\_\_

**Serial No:** \_\_\_\_\_

**Date of purchase on original invoice:** \_\_\_\_\_

# 1. INFORMATIONS SUR LA SÉCURITÉ

## CONSIGNES DE SÉCURITÉ IMPORTANTES

## VEUILLEZ LIRE ET CONSERVER CES INSTRUCTIONS

APPROUVÉ POUR LES APPAREILS DE TYPE RÉSIDENTIEL

POUR UNE UTILISATION RÉSIDENTIELLE SEULEMENT

LISEZ CES INSTRUCTIONS ET CONSERVEZ-LES

VEUILLEZ LIRE CES INSTRUCTIONS AU COMPLET AVANT DE COMMENCER. L'INSTALLATION DE L'APPAREIL DOIT RESPECTER TOUS LES CODES EN VIGUEUR.

**IMPORTANT :** Conservez ces instructions afin de pouvoir les remettre à l'inspecteur-électricien de votre région.

**INSTALLATEUR :** Veuillez laisser ces instructions avec l'appareil pour le propriétaire.

**PROPRIÉTAIRE :** Veuillez conserver ces instructions pour pouvoir vous y référer plus tard. Avertissement de sécurité : Coupez l'alimentation du circuit dans le panneau électrique et verrouillez le panneau avant de raccorder les fils de cet appareil.

Exigence : Circuit de dérivation de 120V, 60 Hz, 15 ou 20 A.

Enlever l'emballage

**ATTENTION!**

Enlever le carton avec précaution, porter des gants pour se protéger des parties coupantes.

**AVERTISSEMENT!**

Enlever le film de protection qui recouvre le produit avant de l'utiliser.



Hotte de cuisinière : ESS432SS

Tension nominale: 120 V~

Fréquence: 60 Hz

Puissance: 300 W

Current: 2,5 A

Puissance maximale de la lampe: 4x7 W + 1x9 W LED

Quantité: 1 pièce

Fabriqué en Italie

Produit par: Elica SPA

Importé par: ELICAMEX S.A. de C.V.

Adresse: Av. La Noria (Prolongación) No. 102, Col. Ampliación Parque Industrial Querétaro, Santa Rosa Jáuregui, C.P. 76215, Querétaro, México. R.F.C.

ELI060102RK8

Tel. 81 8625 5000 - Cel. 55 3955 8770

\* : les détails marqués par ce symbole sont des accessoires optionnel fournis uniquement sur certains modèles ou des détails à fournir à la demande.

### Avis de Sécurité Important

**ATTENTION**

UTILISER CET APPAREIL À DES FINS DE VENTILATION GÉNÉRALE SEULEMENT. NE PAS UTILISER CET APPAREIL POUR ÉVACUER DES MATÉRIAUX OU DES VAPEURS DANGEREUX OU EXPLOSIFS.

**AVERTISSEMENT**

**POUR RÉDUIRE LES RISQUES D'INCENDIE, DE CHOC ÉLECTRIQUE ET DE BLESSURE, RESPECTER LES DIRECTIVES SUIVANTES :**

**A.** Utiliser cet appareil uniquement aux fins prévues par le fabricant. Si vous avez des questions à propos de l'appareil, communiquez avec le fabricant.

**B.** Avant de faire l'entretien de l'appareil ou de le nettoyer, coupez l'alimentation dans le panneau électrique et verrouillez le panneau en bloquant le dispositif permettant d'empêcher d'activer l'alimentation accidentellement. S'il n'est pas possible de verrouiller l'accès au panneau, fixez une étiquette très voyante au panneau électrique.

**AVERTISSEMENT**

**POUR RÉDUIRE LES RISQUES D'INCENDIE, DE CHOC ÉLECTRIQUE ET DE BLESSURE, RESPECTER LES DIRECTIVES SUIVANTES :**

**A.** Une personne qualifiée doit effectuer l'installation et le câblage des fils électriques en conformité avec tous les codes et toutes les normes, y compris la cote de résistance au feu.

**B.** Il est important de prévoir suffisamment d'air pour assurer une bonne combustion de l'équipement de chauffe et l'évacuation adéquates des gaz par le conduit de cheminé afin de prévenir les refoulements d'air. Respectez les directives et les normes de sécurité des fabricants de l'équipement de chauffage, comme celles publiées par la National Fire Protection Association (NFPA), la American Society for Heating, Refrigeration and Air Conditioning Engineers (ASHRAE) et le code des autorités de votre région.

**C.** Au moment de couper ou de percer un mur ou un plafond, assurez-vous de ne pas endommager la filerie électrique ou tout autre accès à un service publique.

**D.** Les ventilateurs canalisés utilisés pour l'échappement de contaminants doivent toujours être dotés d'une évacuation vers l'extérieur.

#### **AVERTISSEMENT**

**POUR RÉDUIRE DES RISQUES D'INCENDIE, UTILISEZ UNIQUEMENT DES CONDUITS EN MÉTAL.**

Installez cette hotte en respectant toutes les exigences mentionnées.

#### **AVERTISSEMENT**

**Pour réduire les risques d'incendie et de choc électrique, n'utilisez pas cette hotte avec un contrôleur de vitesse à semi-conducteurs.**

#### **AVERTISSEMENT**

**POUR RÉDUIRE LES RISQUES D'INCENDIE DE GRAISSE SUR LES CUISINIÈRES.**

**a)** Ne laissez jamais la cuisinière sans surveillance lorsqu'elle est réglée à une haute température. Les débordements par bouillonnement causent de la fumée et des débordements de gras qui peuvent s'enflammer. Faites chauffer l'huile lentement, à une température basse ou moyenne.

**b)** Nettoyez les hélices de ventilation fréquemment. Il ne faut pas que la graisse s'accumule sur les filtres ou les hélices.

**c)** Utilisez le bon format de casserole. Utilisez toujours un chaudron de taille approprié à l'élément de la cuisinière.

#### **AVERTISSEMENT**

**POUR ÉVITER DE BLESSER QUELQU'UN LORS D'UN INCENDIE DE GRAISSE SUR LA CUISINIÈRE, SUIVRE LES CONSEILS SUIVANTS**

**a)** ÉTOUFFER LES FLAMMES avec un couvercle aux dimensions de la taque de cuisson, une tôle à biscuit ou tout autre plateau métallique, puis couper le gaz ou l'alimentation électrique de la cuisinière. FAIRE

**ATTENTION A NE PAS SE BRÛLER.** Si les flammes ne s'éteignent pas immédiatement, QUITTER LA PIÈCE ET APPELER LES POMPIERS.

**b)** NE JAMAIS PRENDRE EN MAIN UNE CASSEROLE EN FEU, vous pourriez vous blesser.

**c)** NE PAS UTILISER D'EAU, y compris les essuies de vaisselle ou les serviettes humides – une violente explosion due à la vapeur formée pourrait survenir.

**d)** Utilisez un extincteur **SEULEMENT** si:

**1)** Vous êtes sûr d'avoir un extincteur de classe ABC que vous savez utiliser.

**2)** Le feu est petit et confiné à la zone où il s'est formé.

**3)** Les pompiers ont été appelés.

**4)** Vous pouvez lutter contre le feu avec une sortie derrière vous.

Basé sur "Kitchen Firesafety Tips" publié par NFPA.

#### **AVERTISSEMENT**

**AFIN DE RÉDUIRE LE RISQUE D'INCENDIE, D'ELECTROCUTION OU DE DOMMAGES PHYSIQUES, NE PAS UTILISER DE PIÈCES DE RECHANGE NON RECOMMANDÉES PAR LE FABRICANT (PAR EXEMPLE, DES PIÈCES FAÇONNÉES À L'AIDE D'UNE IMPRIMANTE 3D).**

#### **MODE OPERATOIRE**

Toujours laisser les grilles de sécurité et les filtres à leur place. Sans la présence de ces derniers, les parties aspirantes pourraient attirer les cheveux, les doigts ou les vêtements.

Le fabricant décline toute responsabilité si les informations détaillées dans ce manuel pour l'installation, l'entretien et l'utilisation adéquate du produit ne sont pas observées. Le fabricant décline en outre toute responsabilité pour d'éventuelles blessures dues à des négligences; en outre, la garantie de l'appareil sera annulée suite à des conditions d'entretien inappropriées. Cet appareil est fabriqué pour un usage interne. Ne pas utiliser cet appareil à l'extérieur.

- Cet appareil n'est pas prévu pour l'utilisation par des personnes (y compris les enfants) avec des capacités physiques, sensorielles ou mentales différentes ou réduites, ou qui manquent d'expérience ou de connaissances, à moins que ces personnes ne soient sous la supervision d'une personne responsable de la sécurité ou qu'elles aient reçu une formation sur le fonctionnement de l'appareil.
- Les enfants doivent être surveillés afin de s'assurer qu'ils n'utilisent pas l'appareil comme un jouet.
- Ne pas faire flamber des aliments en dessous de la hotte.
- Il doit y avoir une aération adéquate dans la pièce, lorsque la hotte est utilisée en même temps que des appareils qui consomment du gaz ou d'autres carburants. (PAS APPLICABLE POUR LES HOTTES QUI SONT EN MODE RECYCLAGE).

- Il y a un risque d'incendie si le nettoyage n'est pas effectué conformément aux instructions.
- L'air aspiré ne doit pas être envoyé dans une conduite qui est utilisée pour évacuer les fumées d'appareils qui consomment du gaz ou d'autres carburants. (PAS APPLICABLE POUR LES HOTTES QUI SONT UNIQUEMENT EN MODE RECYCLAGE).
- Doit être conforme aux règlements relatifs à l'évacuation de l'air.
- Dans le cas où le cordon d'alimentation est en partie ou complètement endommagé, ne pas essayer de le réparer par vous-même mais contacter le service d'assistance indiqué sur la carte de garantie ou un technicien spécialisé pour le remplacement.
- **AVERTISSEMENT:** le placement incorrect des vis ou des fixations ou des dispositifs de montage conformément à ces instructions peut entraîner des risques électriques.
- **AVERTISSEMENT:** Lorsque la table de cuisson est en fonctionnement, les parties accessibles de la hotte peuvent devenir très chaudes.

## Exigences électriques et exigences d'installation

### Exigences électriques

#### IMPORTANT

Respectez tous les codes et ordonnances en vigueur.

Il incombe au client :

De contacter un installateur électricien qualifié.

De s'assurer que l'installation électrique est adéquate et conforme au Code national de l'électricité, ANSI/NFPA 70 - dernière édition\*, ou aux normes CSA C22.1-94, Code canadien de l'électricité, Partie 1 et C22.2 No.0-M91 - dernière édition\*\* et à tous les codes et ordonnances locaux.

Si les codes le permettent et qu'un fil de terre séparé est utilisé, il est recommandé qu'un électricien qualifié détermine que le chemin de terre est adéquat.

#### IMPORTANT

**Conservez les instructions d'installation à l'usage de l'inspecteur en électricité.**

Il faut raccorder la hotte directement à une boîte à fusible ou à un disjoncteur.

La taille des fils doit être conforme aux exigences du National Electrical Code ANSI/NFPA 70 - dernière édition\*, ou aux normes CSA C22.1-94, Code canadien de l'électricité Partie 1 et C22.2 No. 0-M91 - dernière édition\*\* et à tous les codes et ordonnances locaux. Un connecteur de conduit répertorié U.L. ou C.S.A. doit être prévu à chaque extrémité du conduit d'alimentation électrique (à l'appareil et à la boîte de jonction).

Vous pouvez obtenir des copies des normes mentionnées auprès de :

\* National Fire Protection Association Batterymarch Park Quincy, Massachusetts 02269

\*\* CSA International 8501 East Pleasant Valley Road Cleveland, Ohio 44131-5575

**Ce produit a été conçu pour être branché directement à l'alimentation secteur, par conséquent, appliquer un interrupteur bipolaire de réglage garantissant la déconnexion complète du secteur en cas de surtension de catégorie III, conformément aux normes d'installation.**

### Avant d'installer la hotte

Deux personnes sont nécessaires pour effectuer l'installation.

Porter des gants pour se protéger des bords coupants. Les marques d'ouverture de fixation doivent toutes se trouver entre deux montants, sinon procédez de la façon suivante :

Coupez la cloison sèche en suivant les lignes marquées.

Installez perpendiculairement entre deux montants une pièce de bois pour qu'elle soit alignée avec les montants existants. Assurez-vous que les vis de fixation s'enfonceront dans ces nouveaux montants.

**Remplacez la cloison sèche et refaites le fini de la surface. Lorsqu'il est utilisé en mode de recirculation, Pour Réduire Les Risques d'Incendie Et De Choc utiliser seulement kits de conversion Modèle: Kit carbon filter Shell.**

## 2. UTILISATION

La hotte a été conçue pour être utilisée en version filtrante avec recyclage d'air.

Les fumées et les vapeurs de la cuisson sont aspirées à l'intérieur de la hotte, filtrées et purifiées en passant au travers de filtre(s) à graisse et de filtre(s) au charbon dont la hotte DOIT être pourvue.

## 3. INSTALLATION

**L'installation, aussi bien électrique que mécanique doit être effectuée par du personnel qualifié.**

Ne coupez pas une solive ou un montant à moins qu'il soit absolument nécessaire de le faire. Si vous devez couper une solive ou un montant, vous devez construire un cadre de soutien.

La quincaillerie fournie permet de fixer la hotte à la plupart des murs et des plafonds.

Vous devez cependant demander à un technicien qualifié de vérifier la solidité des matériaux selon le type de mur ou de plafond.

La quincaillerie fournit permet de fixer la hotte à la plupart des murs et des plafonds.

**Vous devez cependant demander à un technicien qualifié de vérifier la solidité des matériaux selon le type de mur ou de plafond.**

Avant de couper, assurez-vous qu'il y a un dégagement suffisant dans le plafond ou le mur pour passer la conduite de sortie.

Vous pouvez déterminer vous-même la hauteur à laquelle vous installez la hotte au dessus de la cuisinière.

**ATTENTION: POUR L'INSTALLATION DES CUISINIÈRES A GAZ: METTEZ LA HOTTE AFIN D'AVOIR ENTRE LE BORD INFÉRIEUR DE LA HOTTE ET LE PLAN DE CUISSON UNE DISTANCE DE 30" (76,2 CM).**

**POUR DES CUISINIÈRES ÉLECTRIQUES: LA DISTANCE ENTRE LE BORD INFÉRIEUR DE LA HOTTE ET LE PLAN DE CUISSON NE DOÏT PAS ÊTRE INFÉRIEURE DE 24" (61 CM).**

**EMPLOI DOMESTIQUE. LIRE ATTENTIVEMENT LE LIVRET INSTRUCTIONS POUR DES APPLICATIONS SPÉCIFIQUES.**

**Si les instructions d'installation du dispositif de cuisson au gaz spécifient une plus grande distance, il faut en tenir compte.**

**Vérifiez donc la hauteur de votre plafond et la hauteur maximum de la hotte avant de choisir votre modèle de hotte.**

Reportez-vous aux dernières pages de ce manuel pour les instructions d'installation et le raccordement électrique.

## 4. FONCTIONNEMENT



Ce produit est conçu pour fonctionner avec une télécommande fournie avec le produit ou qui peut être achetée comme option.

Pour pouvoir utiliser ce produit, il est nécessaire d'effectuer l'association de la télécommande.

### ATTENTION !

Pour commencer il est nécessaire de débrancher et de rebrancher la hotte au secteur électrique et d'effectuer la procédure d'association au cours de la première minute d'alimentation.

Lire les instructions fournies avec la télécommande pour connaître toutes les informations sur son association et utilisation correctes.

**Note:** si la hotte ne devait pas fonctionner, vérifier que le bouton ON/OFF de la hotte soit en position ON.

## 5. ENTRETIEN

• **Nettoyage** : Pour le nettoyage, utiliser exclusivement un chiffon imbibé de nettoyant liquide neutre. Ne pas utiliser d'ustensiles ni d'instruments de nettoyage.

• Éviter l'usage de produits à base d'agents abrasifs. NE PAS UTILISER D'ALCOOL !

### • **✕A** Entretien des Filtres à graisse :

**Il retient les particules de graisse dérivantes de la cuisson.**

Il doit être nettoyé une fois par mois (ou quand l'indicateur de saturation des filtres l'indique), avec des détergents non agressifs, à la main ou au lave-vaisselle à basse température et cycle rapide. Avec le lavage au lave-vaisselle, le filtre anti-graisse métallique peut décolorer mais ses caractéristiques de filtrage restent les mêmes. Pour démonter le filtre à graisse, tirer la poignée de décrochage à ressort.

### • **✕B** Filtre au charbon actif lavable (uniquement pour version filtrante) :

le filtre à charbon peut être lavé tous les deux mois (ou quand le système d'indication de saturation des filtres - si prévu sur le modèle possédé - indique ce besoin). Comme indiqué dans la section des dessins : enlever les filtres à graisse, enlever le filtre à charbon et laver avec de l'eau chaude et des nettoyants adéquats ou au lave-vaisselle à 149°F (65°C) (en cas de lavage au lave-vaisselle, effectuer le cycle de lavage complet sans vaisselle à l'intérieur). Éliminer l'excès d'eau sans abimer le filtre, puis le placer au four pendant 10 minutes à 212°F (100°C) pour le sécher définitivement. Remettre les filtres à graisse.

Remplacer le tapis tous les 3 ans et chaque fois qu'il est abimé.

### Éclairage du plan de cuisson

• Le système d'éclairage est basé sur la technologie LED. Les LED fournissent un éclairage optimal, durent jusqu'à 10 fois plus longtemps que les ampoules classiques et permettent d'économiser 90 % d'électricité.

• **Système d'Éclairage** : Le système d'éclairage ne peut pas être remplacé par l'utilisateur ; en cas de dysfonctionnement, contacter le service d'assistance.

# ELICA North America

## GARANTIE DE DEUX ANS

Enregistrez votre produit sur

**elica.com**

et obtenez une 3<sup>e</sup> année de garantie, qui couvre toutes les pièces en plus de la main-d'œuvre.

### POUR OBTENIR UN DEPANNAGE SOUS GARANTIE

Le propriétaire doit présenter une preuve de la date d'achat. Garder une copie de votre preuve d'achat datée (ticket de caisse) de façon à pouvoir bénéficier du service après-vente sous garantie.

### GARANTIE PIÈCES DE RECHANGE ET MAIN D'ŒUVRE

Pendant une période de deux (2) ans à partir de la date d'achat, Elica s'engage à fournir gratuitement les pièces de rechange ou les composants autres que les recharges ayant des défauts de fabrication. Durant cette garantie de deux (2) ans, Elica fournira également gratuitement, toute la main d'œuvre et le service à domicile pour remplacer d'éventuelles pièces défectueuses.

### CE QUE LA GARANTIE NE COUVRE PAS

- Dégât ou panne du produit causé par un accident ou un cas de force majeure tels que inondation, incendie ou tremblement de terre.
- Dégât ou panne du produit causé par modification du produit ou utilisation de pièces pas d'origine.
- Dégât ou panne du produit causé lors de la livraison, de la manipulation ou de l'installation.
- Dégât ou panne du produit causé par une mauvaise utilisation.
- Dégât ou panne du produit causé par un remplacement des fusibles ou une remise en fonction des disjoncteurs par le propriétaire.
- Dégât ou panne du produit causé par une utilisation du produit pour raison commerciale.
- Déplacement à domicile pour explication d'utilisation ou d'entretien.
- Ampoules, filtres métalliques ou au charbon et toute autre pièce consommable.
- Usure normale.
- Usure due à une mauvaise utilisation du propriétaire, un entretien incorrect, une utilisation de substances nettoyantes corrosives ou abrasives et produits de nettoyage pour four.
- Lorsque le produit n'a pas été utilisé conformément aux instructions d'utilisation qui l'accompagnent.

### QUI EST COUVERT

Cette garantie s'étend à l'acheteur original de produits achetés pour un usage domestique habituel en Amérique du Nord (Y compris Etats Unis, Guam, Porto Rico, les îles Virgin Américaines & le Canada) et Amérique latine.

Pour tout défaut esthétique, il existe une garantie limitée de trente (30) jours à compter de la date d'achat par l'utilisateur final (Amérique latine)

Cette garantie n'est pas transférable et vaut uniquement pour l'acheteur original et ne s'étend pas aux propriétaires successifs du produit. Cette garantie vaut expressément en lieu et place de toute autre garantie, expresse ou sous-entendue, mais ne limite pas toute autre garantie sous-entendue de marchandage ou adaptation dans un but particulier et toute autre obligation de la part de Elica North America, étant entendu, cependant, que si la réclamation pour garanties sous-entendues n'est pas applicable aux yeux de la loi en vigueur, la durée de toute garantie sous-entendue émanant de la loi doit être limitée à deux (2) ans à partir de la date d'achat du produit ou à une période plus longue selon ce que dit la loi en vigueur.

Cette garantie ne couvre pas tout dégât particulier, accidentel et/ou consécutif, ni les pertes et profits, à charge du propriétaire, des ses clients et/ou des utilisateurs Des produits.

**QUI CONTACTER** Pour obtenir un Service Après-vente durant la Garantie ou pour toute autre Question liée au Service Après-vente:

PAYS	COMPAGNIE	E-MAIL DE SERVICE TECHNIQUE	TÉLÉPHONE DE SERVICE TECHNIQUE
USA & CANADA (Provinces de l'Ouest)	SERVICE POWER	elica@servicepower.com	888 732 8018
CANADA (Province de l'Ontario)	AGI SERVICE	service@agintl.qc.ca	888 651 2534
CANADA (Québec & provinces de l'Atlantique)	ATELIERS G. PAQUETTE	service@ateliersgpaquette.com	800 463 0119
MEXIQUE	ARTEXA MEXICO S.A. DE C.V.	servicio@artexa.com	+ 52 81 8625 5063
BRESIL	LOFRA SUDAMERICA LTDA	carlos@lofra.com.br	+ 41 3661 7006
PEROU	LÍNEA HOGAR	flavio.figari@appliancecenter.pe	+ 51 1 2418055

Artexa Mexico S.A. de C.V. Adresse : Cañon Grande # 7720, Col. La Estanzuela, Monterrey, N.L., 64984, Mexique S'il ☎ 55 3955 8770 n'y a pas de distributeur dans votre région, veuillez visiter [www.elica.com/asistencia](http://www.elica.com/asistencia) \*\*\*Juste pour le Mexique

Pour garantir un service après-vente rapide, quand vous téléphonerez nous vous prions de bien vouloir donner les informations suivantes, qui sont indiquées sur la plaque signalétique qui se trouve à l'intérieur de la hotte: **modèle, 12 NC et date d'achat sur votre facture originale**. Pour accéder à la plaque signalétique, il vous suffit d'enlever les filtres graisse.

**12NC:** \_\_\_\_\_

**Modèle:** \_\_\_\_\_

**N° de série:** \_\_\_\_\_

**Date d'achat sur votre facture originale:** \_\_\_\_\_

# 1. INFORMACIÓN DE SEGURIDAD

## INSTRUCCIONES DE SEGURIDAD IMPORTANTES

### LEA Y GUARDE ESTAS INSTRUCCIONES

APROBADO PARA APARATOS DE USO DOMÉSTICO  
SÓLO PARA USO DOMÉSTICO  
LEA Y GUARDE ESTAS INSTRUCCIONES

ANTES DE CONTINUAR, LEA LAS INSTRUCCIONES  
POR COMPLETO.

LA INSTALACIÓN DEBE CUMPLIR TODA LA  
NORMATIVA LOCAL.

**IMPORTANTE:** guarde estas instrucciones para su uso  
por parte del inspector de electricidad local.

**INSTALADOR:** entregue al propietario estas  
instrucciones junto con la unidad.

**PROPIETARIO:** conserve estas instrucciones para  
futuras consultas.

**Advertencia de seguridad:** antes de realizar el  
cableado de este aparato, desactive el circuito de  
energía eléctrica en el panel de servicio y desbloquee  
el panel.

**Requisito:** Circuito auxiliar de 120V, 60 Hz, 15 ó 20 A

Quitar el embalaje

¡PRECAUCIÓN!

Quitar el cartón con cuidado, usar guantes para  
protegerse de los bordes agudos.

¡ADVERTENCIA!

Quitar la película protectora que cubre el producto  
antes de la puesta en operación.



**Campana purificadora:** ESS432SS

**Tensión asignada:** 120 V~

**Frecuencia:** 60 Hz

**Consumo de potencia:** 300 W

**Consumo de corriente:** 2,5 A

**Potencia máxima de la lámpara:** 4x7 W + 1x9 W LED

**Contenido:** 1 pieza.

**Hecho en Italia**

**Fabricado por:** Elica SPA

**Importado por:** ELICAMEX S.A. de C.V.

**Dirección:** Av. La Noria (Prolongación) No. 102, Col.  
Ampliación Parque Industrial Querétaro, Santa Rosa  
Jáuregui, C.P. 76215, Querétaro, México. R.F.C.

ELI060102RK8

Tel. 81 8625 5000 - Cel. 55 3955 8770

\* : las piezas marcadas con este símbolo son accesorios  
opcionales suministrados solo en algunos modelos o  
piezas no suministrables, pero que pueden comprarse.

#### **Aviso de seguridad importante**

##### **PRECAUCIÓN**

**SÓLO PARA USO DE VENTILACIÓN GENERAL. NO  
UTILIZAR PARA EXPULSAR VAPORES O  
MATERIALES PELIGROSOS O EXPLOSIVOS.**

##### **ADVERTENCIA**

**PARA REDUCIR EL RIESGO DE FUEGO, DESCARGA  
ELÉCTRICA O LESIONES PERSONALES, RESPETE LO  
SIGUIENTE:**

**A.** Utilice esta unidad solamente en el modo que indica el  
fabricante. En caso de duda, póngase en contacto con el  
fabricante.

**B.** Antes de reparar o limpiar la unidad, desconecte la  
alimentación en el panel de servicio y bloquee los medios  
de desconexión del panel de servicio para evitar la  
conexión accidental de la alimentación. Si no es posible  
bloquear los medios de desconexión del panel de servicio,  
coloque un dispositivo de advertencia que destaque como,  
por ejemplo, una etiqueta, en el panel de servicio.

##### **ADVERTENCIA**

**PARA REDUCIR EL RIESGO DE FUEGO, DESCARGA  
ELÉCTRICA O LESIONES PERSONALES, RESPETE LO  
SIGUIENTE:**

**A.** La instalación y el cableado eléctrico deben realizarlos  
personas cualificadas de acuerdo con las normativas y los  
estándares aplicables, incluida la construcción ignífuga.

**B.** Es necesaria una ventilación suficiente para la correcta combustión y expulsión de gases por la salida de humos (Chimenea) del equipo de combustión de carburante para evitar el contratiempo. Siga las directrices de fabricantes de equipos de calefacción y los estándares de seguridad como los publicados por la National Fire Protection Association (NFPA), American Society for Heating, Refrigeration and Air Conditioning Engineers (ASHRAE) y las normativas locales.

**C.** Al efectuar orificios en una pared o techo, no dañe el cableado eléctrico y otras instalaciones ocultas.

**D.** Los ventiladores de conducto utilizados para expulsar contaminantes deben ventilarse siempre al exterior.

#### **ADVERTENCIA**

##### **PARA REDUCIR EL RIESGO DE FUEGO, UTILICE SOLAMENTE TUBOS METÁLICOS.**

Instale esta campana de acuerdo con los requisitos especificados.

#### **ADVERTENCIA**

**Para reducir el riesgo de fuego o descarga eléctrica, no utilice esta campana con ningún dispositivo externo en estado sólido para el control de la velocidad.**

#### **ADVERTENCIA**

##### **PARA REDUCIR EL RIESGO DE INCENDIO OCASIONADO POR GRASA:**

- a) No deje nunca ninguna unidad externa desatendida y con valores de fuego altos. La cocción puede causar humo o reboses de grasa que pueden prender fuego. Caliente el aceite a fuego lento o medio.
- b) Limpie con frecuencia los ventiladores. No permita que la grasa se acumule en el ventilador o filtro.
- c) Utilice un tamaño de sartén adecuado. Utilice siempre piezas de batería de cocina adecuadas al tamaño del elemento de superficie.

#### **ADVERTENCIA**

##### **PARA REDUCIR EL RIESGO DE LESIONES PERSONALES, EN CASO DE FUEGO OCASIONADO POR GRASA, TENGA EN CUENTA LO SIGUIENTE:**

- a) EXTINGA LAS LLAMAS con una tapa ajustada, una lámina para hacer galletas u otro tipo de bandeja metálica y apague el quemador de gas o elemento eléctrico. TENGA CUIDADO PARA EVITAR QUEMADURAS. Si las llamas no se extinguen inmediatamente, DESALOJE EL LUGAR Y LLAME A LOS BOMBEROS.
- b) NUNCA TOME UNA SARTÉN EN LLAMAS, podría sufrir quemaduras.
- c) NO UTILICE AGUA, incluidas bayetas o toallas húmedas ya que se produciría una violenta explosión de vapor.
- d) Utilice un extintor **SÓLO** si:

1) Sabe que dispone de un extintor de la clase ABC y conoce su funcionamiento.

2) El fuego es pequeño y se encuentra en la misma zona donde se inició.

3) Ha llamado a los bomberos.

4) Puede luchar contra el fuego teniendo una salida a su espalda.

Según los "Consejos para la Seguridad Antincendio en Cocina", publicado por NFPA.

#### **ADVERTENCIA**

##### **PARA REDUCIR EL RIESGO DE INCENDIO, DESCARGA ELÉCTRICA O LESIONES A LAS PERSONAS, NO UTILICE PIEZAS DE RECAMBIO QUE NO HAYAN SIDO RECOMENDADAS POR EL FABRICANTE (POR EJEMPLO, PIEZAS HECHAS EN CASA UTILIZANDO UNA IMPRESORA 3D).**

#### **FUNCIONAMIENTO**

Coloque siempre las rejillas y los filtros de seguridad en su lugar correspondiente. Sin estos componentes, los ventiladores en funcionamiento podrían atrapar su pelo, sus dedos o su ropa.

El fabricante declina toda responsabilidad en caso de fallo de cumplimiento de las instrucciones aquí facilitadas para la instalación, el mantenimiento y el uso adecuado del producto. El fabricante declina además toda responsabilidad por daños ocasionados por negligencia y la garantía de la unidad queda cancelada automáticamente como consecuencia de un mantenimiento incorrecto.

- Este aparato no se destina para utilizarse por personas (incluyendo niños) cuyas capacidades físicas, sensoriales o mentales sean diferentes o estén reducidas, o carezcan de experiencia o conocimiento a menos que dichas personas reciban una supervisión o capacitación para el funcionamiento del aparato por una persona responsable de su seguridad.
- Los niños deben supervisarse para asegurar que ellos no empleen los aparatos como juguete.
- No flamear alimentos bajo la campana de cocina
- Debe haber una ventilación adecuada en el cuarto, cuando la campana de cocina se utiliza al mismo tiempo que los aparatos que consumen gas u otros combustibles. (NO APLICA PARA CAMPANAS QUE ÚNICAMENTE SON RECIRCULANTES)
- Existe el riesgo de fuego, si la limpieza no se realiza de acuerdo con las instrucciones.
- El aire de descarga no debe enviarse a través de un conducto que se utilice para evacuar los humos de los aparatos que consumen gas u otros combustibles. (NO APLICA PARA CAMPANAS QUE ÚNICAMENTE SON RECIRCULANTES).
- Deben de cumplirse las regulaciones que se relacionen con la evaluación de la descarga de aire

- En caso de que su cordón de alimentación llegase a sufrir un daño parcial o total no trate de repararlo acuda al centro de servicio marcado en su garantía o bien con un técnico especialista para su sustitución.
- **ADVERTENCIA:** La mala colocación de los tornillos o artefactos de montaje o sujeción de acuerdo a estas instrucciones puede traer consigo peligros eléctricos.”
- **PRECAUCIÓN:** Las partes accesibles pueden calentarse cuando se utilizan los aparatos de cocción.”

## Requisitos eléctricos y de instalación

### Requisitos eléctricos

#### IMPORTANTE

Respete todos los códigos y ordenanzas vigentes.

Es responsabilidad del cliente:

Contactar con un instalador eléctrico cualificado.

Para asegurarse de que la instalación eléctrica es adecuada y se ajusta al Código Eléctrico Nacional, ANSI/NFPA 70 - última edición\*, o a las normas CSA C22.1-94, Código Eléctrico Canadiense, Parte 1 y C22.2 N.º.0-M91 - última edición\*\* y a todos los códigos y ordenanzas locales.

Si los códigos lo permiten y se utiliza un cable de tierra separado, se recomienda que un electricista cualificado determine si la trayectoria de la tierra es adecuada.

#### IMPORTANTE

**Guarde las instrucciones de instalación para que pueda utilizarlas el inspector eléctrico.**

La campana debe estar conectada directamente al desconector con fusible (O disyuntor) .

Las dimensiones de los cables deben ajustarse a los requisitos del Código Eléctrico Nacional ANSI/NFPA 70 - última edición\*, o a las normas CSA C22.1-94, Código Eléctrico Canadiense Parte 1 y C22.2 N.º.0-M91 - última edición\*\* y a todos los códigos y ordenanzas locales.

En cada extremo del conducto de alimentación (en el aparato y en la caja de conexiones) debe haber un conector de conducto listado por U.L. o C.S.A.

Es posible obtener copias de las normas enumeradas en:

\* National Fire Protection Association Batterymarch Park Quincy, Massachusetts 02269

\*\* CSA International 8501 East Pleasant Valley Road Cleveland, Ohio 44131-5575

**El producto está destinado a la conexión directa al suministro de red, por lo tanto, coloque un interruptor bipolar de regulación que garantice la desconexión completa de la red en condiciones de sobretensión de categoría III, conforme a las normas de instalación.**

## Antes de instalar la campana

Para realizar la instalación, se necesitan al menos dos personas.

Use guantes para protegerse contra los bordes afilados. Toda ubicación de fijación debe extenderse hasta los pernos; de lo contrario proceda de la siguiente manera: Realice un corte en el tabique aislante a lo largo de las líneas marcadas. Instale lo necesario entre los pernos firmemente emparejados con la parte frontal del perno existente. Asegúrese de que los tornillos de montaje quedan anclados a los pernos agregados. Reemplace y renueve el acabado del tabique aislante.

**Cuando se use en modo re circulante, Para reducir el riesgo de incendio y choque eléctrico, use sólo el kit de conversión modelo Kit carbon filter Shell.**

## 2. USO

La campana fue realizada para ser utilizada en la versión filtrante con recirculación interna.

El humo y el vapor de la cocción vienen aspirados en el interno de la campana, filtrados y depurados pasando a través de el/los filtros de grasa y el/los filtros de carbón que DEBE ser suministrados con la campana.

## 3. INSTALACION

**La instalación, eléctrica o mecánica, debe ser realizada por personas especializadas.**

No corte una vigueta o un perno a menos que sea absolutamente necesario. Si fuera necesario efectuar el corte, deberá construirse un marco de soporte.

Se suministra el material de ajuste necesario para fijar la campana a la mayoría de tipos de muro o techo.

No obstante, un técnico cualificado debe comprobar la idoneidad de los materiales de acuerdo con el tipo de muro o techo.

**Se suministra el material de ajuste necesario para fijar la campana a la mayoría de tipos de muro o techo. No obstante, un técnico cualificado debe comprobar la idoneidad de los materiales de acuerdo con el tipo de muro o techo.**

Antes de efectuar ningún corte, asegúrese de existe espacio libre adecuado en el techo o muro para la expulsión del aire.

La preferencia de la altura de instalación de la campana de los usuarios es por encima de la cocina.

**PRECAUCION: PARA LA INSTALACION DE ESTUFAS DE GAS: INSTALE ESTA CAMPANA DE TAL MANERA QUE LA CORNISA INFERIOR SE ENCUENTRE A 30" (76,2 CM) SOBRE LA SUPERFICIE DE COCCION.**

**PARA LA INSTALACION DE ESTUFAS ELECTRICAS: INSTALE ESTA CAMPANA DE TAL MANERA QUE LA CORNISA INFERIOR SE ENCUENTRA A NO MENOS DE 24" (61 CM) SOBRE LA SUPERFICIE DE COCCION.**

**PARA USO ELECTRODOMESTICO. POR FAVOR, LEA EL MANUAL DE INSTALACION PARA UNA INSTALACION ESPECIFICA.**

**Si las instrucciones para la instalación del dispositivo para cocinar con gas especifican una distancia mayor, hay que tenerlo en consideración.**

**Antes de seleccionar la campana, compruebe la altura del techo y la altura máxima de la campana.**

Consulte las últimas páginas de este manual para obtener instrucciones de instalación y conexión eléctrica.

## 4. FUNCIONAMIENTO



Este producto está preparado para funcionar con un radiomando que se suministra con el producto o puede adquirirse por separado como opción.

Para poder utilizar este producto, es necesario realizar la afiliación del radiomando.

### ¡ATENCIÓN!

Para empezar, es necesario desconectar y volver a conectar la campana extractora a la red eléctrica y realizar el procedimiento de afiliación en el primer minuto de alimentación.

Leer las instrucciones que acompañan al radiomando donde se da toda la información para su afiliación y correcto uso.

**Nota:** si la campana no debiera funcionar, verificar que el pulsante ON/OFF de la campana esté en posición ON.

## 5. MANTENIMIENTO

• **Limpieza:** Para la limpieza use exclusivamente un paño humedecido con detergentes líquidos neutros. No utilice herramientas o instrumentos para la limpieza.

• No utilice productos que contienen abrasivos. ¡NO UTILICE ALCOHOL!

### • ✕A Mantenimiento Filtros de grasa:

Retiene las partículas de grasa procedentes de la cocción.

Se debe limpiar una vez al mes (o cuando el sistema de indicación de saturación de filtros indica dicha necesidad), con detergentes no agresivos, manualmente o bien en el lavavajillas con un programa breve y a baja temperatura. Cuando el filtro metálico de grasa se lava en el lavavajillas puede decolorarse pero ello no afecta de ninguna manera sus características de filtrado.

Para desmontar el filtro de grasas, tire de la palanca de liberación con muelle.

### • ✕B Filtro de carbón activado lavable (solo para la versión filtrante):

el filtro de carbón puede lavarse cada dos meses (o cuando el sistema de indicación de saturación de los filtros - si está previsto en su modelo - indique esta necesidad). Como se indica en la sección de dibujos: quite los filtros de grasa, retire el filtro de carbón y lave en agua caliente y detergentes adecuados o en un lavavajillas a 149°F (65°C) (cuando lo lave en un lavavajillas, realice el ciclo de lavado completo sin la vajilla dentro). Elimine el exceso de agua sin dañar el filtro y, a continuación, introdúzcalo en el horno durante 10 minutos a 212°F (100°C) para secarlo. Sustituya los filtros de grasas.

Sustituya la alfombrilla cada 3 años y siempre que la tela esté dañada.

### Iluminación

• El sistema de iluminación está basado en la tecnología LED. Los LED garantizan una iluminación óptima, con una duración hasta 10 veces mayor que las lámparas tradicionales y permiten ahorrar el 90% de energía eléctrica.

• **Sistema de Iluminación :** El sistema de iluminación no es sustituible por el usuario, en caso de mal funcionamiento póngase en contacto con el servicio de asistencia técnica.

**PARA OBTENER SERVICIO DENTRO DE GARANTÍA**

El propietario debe presentar su recibo original de la compra. Guarde por favor una copia de su recibo de compra como prueba, para recibir el servicio dentro del periodo de garantía.

**PARTES Y GARANTÍA DE SERVICIO**

Por el periodo de dos (2) años desde la fecha original de la compra, Elica proveerá, gratuitamente, partes no-consumibles o componentes que hayan fallado debido a defectos de fabricación. Durante estos dos (2) años de garantía limitada, Elica también proveerá gratuitamente, todo el servicio en casa y mano de obra necesaria para reemplazar cualquier parte defectuosa.

**QUÉ NO ESTÁ CUBIERTO**

- Daños o fallas del producto causados por accidente o actos de Dios, tales como inundaciones incendios o terremotos.
- Daños o fallas causadas por alteración del producto o por el uso de partes no-originales.
- Daños o fallas del producto causados durante la entrega, manejo o instalación.
- Daños o fallas del producto causados por abuso del usuario.
- Daños o fallas del producto causados por reemplazo de fusibles dañados o reseteo de interruptor de circuito.
- Daño o fallas causados por el uso del producto en un ambiente comercial (no doméstico).
- Viajes de servicio para proporcionar orientación de uso o instalación.
- Bombillas, filtros de carbón o metal y cualquier otra parte consumible.
- Desgaste normal.
- Desgaste terminal debido a abusos del usuario, mantenimiento inadecuado, uso de productos / toallas de limpieza corrosivos o abrasivos y por uso de limpiadores para hornos.
- Cuando el producto no hubiese sido operado de acuerdo con el instructivo de uso que se le acompaña.

**QUIÉN ESTÁ CUBIERTO**

Esta garantía se extiende al comprador original de productos adquiridos para uso residencial en Norte América (incluyendo Estados Unidos, Guam, Puerto Rico, Islas Vírgenes de EU y Canadá) y Latinoamérica.

Para cualquier defecto estético se tiene una garantía limitada por treinta (30) días de la fecha de compra del usuario final. (Latinoamérica)

Esta garantía no es transferible y aplica solamente al comprador original y no se extiende a propietarios subsecuentes del producto. Esta garantía se expresa en lugar de otras garantías, expresadas o implícitas, incluyendo, pero no limitada a ninguna garantía implicada de comercialización o adaptada para propósitos particulares y cualquier otra obligación por parte de Elica considerando, sin embargo, que si la negación de garantías implícitas es inefectiva bajo la ley aplicable, la duración de cualquier garantía implícita será limitada a dos (2) años desde la fecha original de compra o por el periodo necesario como sea requiriendo por la ley aplicable.

Esta garantía no cubre cualquier daño especial, incidental y/o consecuente, ni pérdidas de ganancias, sufridas por el comprador original, sus clientes y/o usuarios del producto.

**A QUIÉN CONTACTAR**

Para obtener Servicio bajo Garantía o para cualquier pregunta relacionada a Servicio:

PAÍS	COMPAÑÍA	MAIL CONTACTO SERVICIO TÉCNICO	TELÉFONO SERVICIO TÉCNICO
ESTADOS UNIDOS & CANADÁ (Provincias Occidentales)	SERVICE POWER	elica@servicepower.com	888 732 8018
CANADA (Provincia de Ontario)	AGI SERVICE	service@agintl.qc.ca	888 651 2534
CANADA (Provincias de Quebec & Atlántico)	ATELIERTS G. PAQUETTE	service@atelierspauquette.com	800 463 0119
MÉXICO	ARTEXA MEXICO S.A. DE C.V.	servicio@artexa.com	+ 52 81 8625 5063
BRASIL	LOFRA SUDAMERICA LTDA	carlos@lofra.com.br	+ 41 3661 7006
PERÚ	LÍNEA HOGAR	flavio.figari@appliancecenter.pe	+ 51 1 2418055

Artexa Mexico S.A. de C.V. Domicilio: Cañon Grande #7720, Col. La Estanzuela, Monterrey, N.L., 64984, Mexico En caso de no existir un distribuidor en su localidad, favor de ingresar a [www.elica.com/asistencia](http://www.elica.com/asistencia) \*\*\*Solo para México ☎ 55 3955 8770

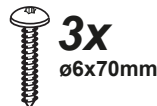
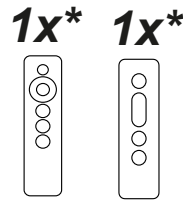
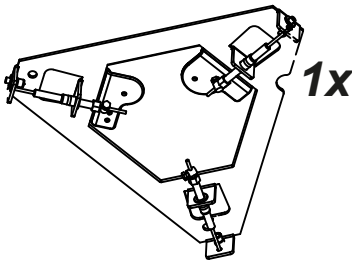
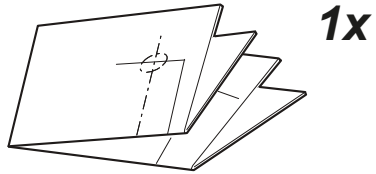
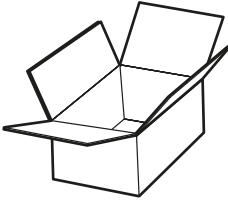
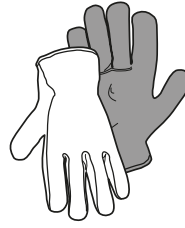
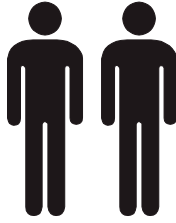
Para garantizar un rápido servicio postventa, cuando llame le pediremos que amablemente brinde la siguiente información que se indica en la placa de identificación que está dentro de la campana: **modelo de campana, 12 NC y fecha de compra en su factura original**. Para acceder a la placa de identificación, todo lo que tiene que hacer es quitar los filtros de grasa.

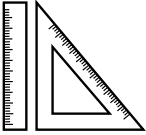
12NC: \_\_\_\_\_

Modelo de campana: \_\_\_\_\_

No. Serie: \_\_\_\_\_

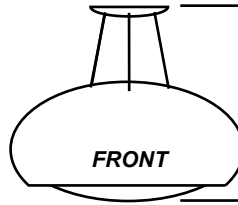
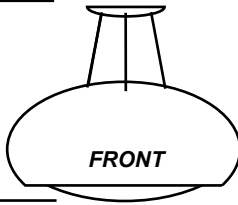
Fecha de compra en su factura original: \_\_\_\_\_





22" 7/16  
(min. 570 mm)

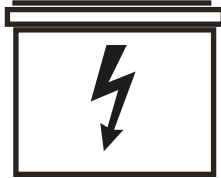
61" 27/64  
(max. 1560 mm)



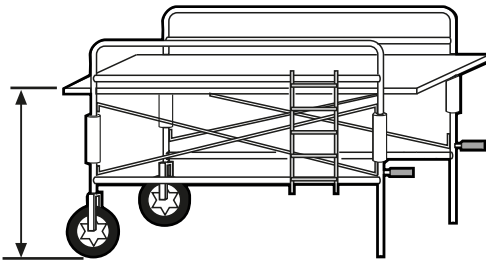
22" 7/16  
(min. 570 mm)

61" 27/64  
(max. 1560 mm)

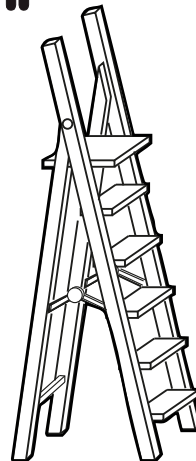
24"  
(610 mm)

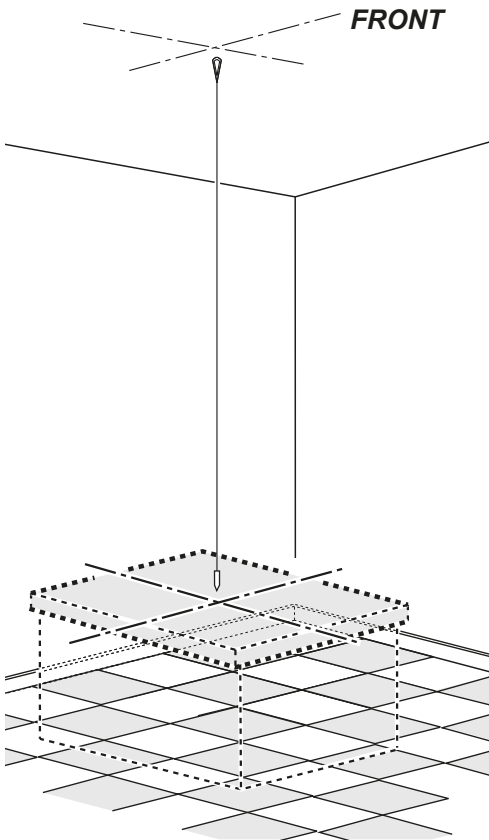


30"  
(760 mm)



X+7 7/8 (20cm)





**Note: Take into consideration the hood depth; the hood could be much deeper than the cooktop.**

- a. Mark center lines of cooktop or range on ceiling above. Use centerlines marked on ceiling to position the mounting template. Note location of hood front (that indicated with a printed arrow), side, and mounting holes indicated on template.

**Note:** Remember that printed arrow on template corresponds to front of the hood and consequently to side where control panels will be located at the end of installation).

---

**Note :** Tenez compte de la profondeur de la hotte; la hotte peut être beaucoup plus profonde que la surface de cuisson.

- a. Marquez les lignes de centre de la surface de cuisson ou de la cuisinière au plafond, au-dessus de l'appareil. Utilisez ces lignes de centre au plafond pour positionner le modèle de montage. Notez sur le modèle l'emplacement de l'avant (indiqué avec une flèche) et des côtés de la hotte, ainsi que des ouvertures de montage.

**Note :** Souvenez-vous que la flèche sur le modèle représente l'avant de la hotte et, donc, le côté où sera installé le panneau de commandes une fois l'appareil installé.

---

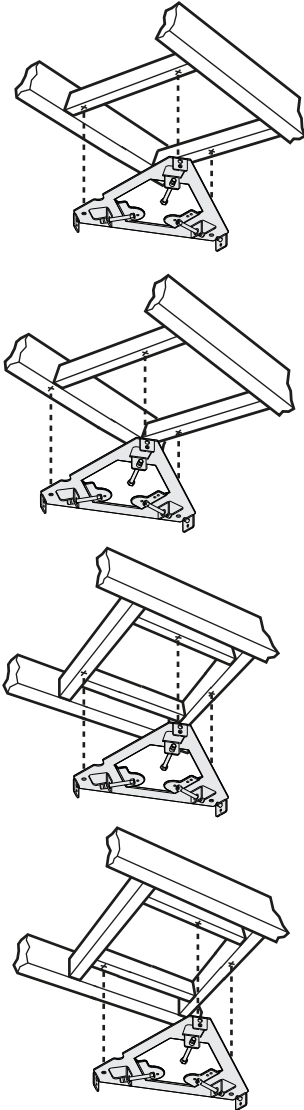
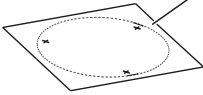
**Nota:** tenga en cuenta la profundidad de la campana; es posible que la campana tenga una mayor profundidad que la cocina.

- a. Marque las líneas centrales de la cocina o de la campana en el techo. Utilice las líneas centrales marcadas en el techo para colocar la plantilla de montaje. Observe que en la plantilla se indican la ubicación de la parte delantera de la campana (mediante una flecha), el lateral y los orificios de montaje.

**Nota:** no olvide que la flecha impresa en la plantilla corresponde a la parte delantera de la campana y, por lo tanto, al lateral donde se colocarán los paneles de control al final de la instalación).

Ceiling  
Plafond  
Techo

Template  
Modèle  
Plantilla



- b. Remove and save template. Cut and remove ceiling drywall. Install suitable length 2" x 4" lumber between joists to provide support bracket mounting points as shown above. Use template for dimensions and required clearance.

Make sure to affix the added lumber firmly and level. Consult a professional if you have difficulties or your installation is unique. Consult template and Figs. above.

- c. Install drywall; then refinish ceiling. Determine the required position for the conduit and cut a 1-1/4" (3.2 cm) hole at this location. Run wires through hole according the National Electrical Code or CSA Standards and local codes and ordinances.
- d. Tape Template in place and mount the support bracket with wood screws (Supplied in mounting hardware kit) on locations marked on template, then remove template.

- b. Enlevez le modèle et conservez-le. Pratiquez une ouverture dans la cloison sèche. Installez un 2 po x 4 po de longueur adéquate entre les montants, qui constituera les points de montage de le support de fixation, comme il est indiqué ci-dessus. Pour connaître les dimensions et le dégagement nécessaire, utilisez le modèle.

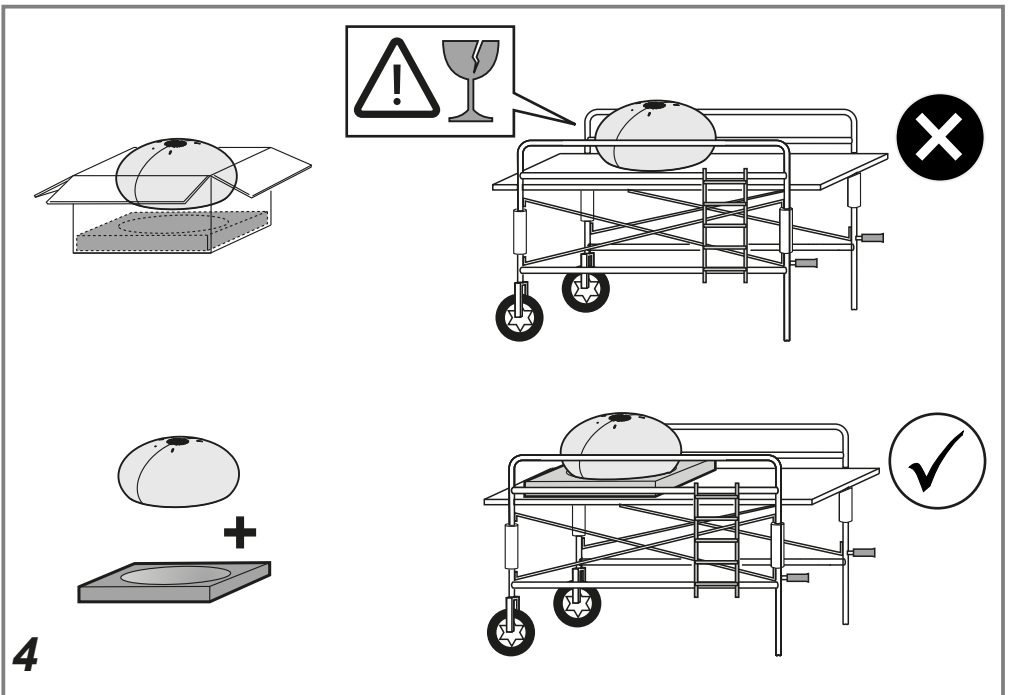
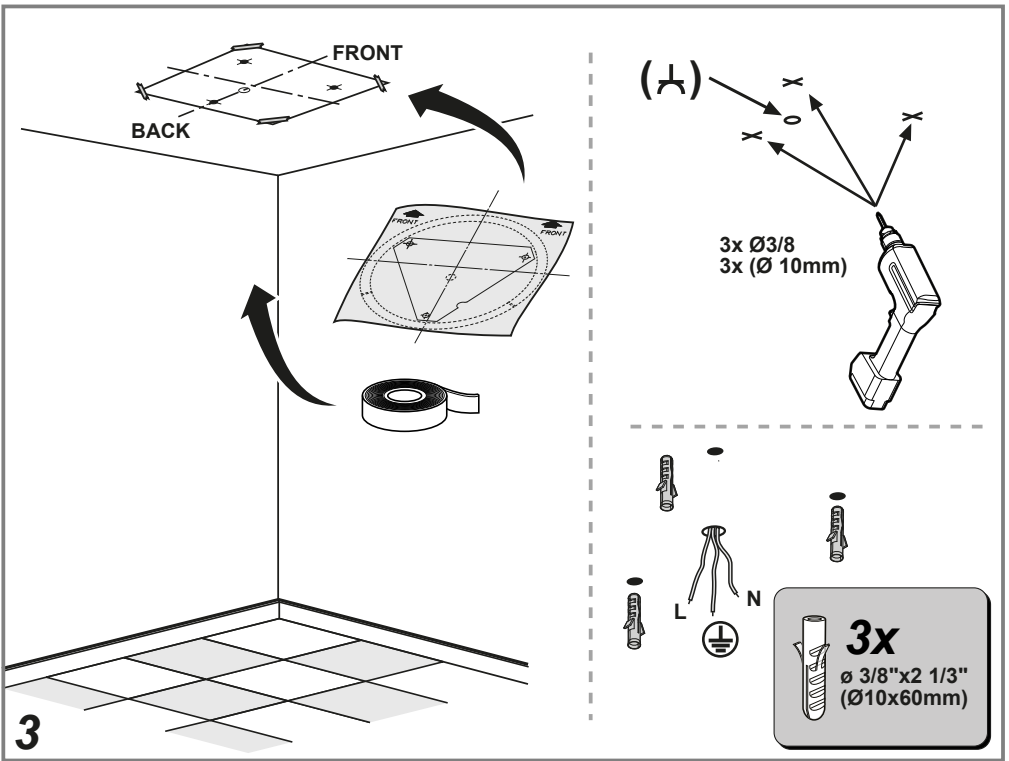
Assurez-vous de fixer la pièce de bois solidement et à niveau. Si vous avez des difficultés ou que votre installation comporte des problèmes particuliers, consultez un professionnel. Consultez le modèle et les illustrations ci-dessus.

- c. Installez une cloison sèche, puis terminez la finition du plafond. Déterminez la position nécessaire pour le conduit et coupez une ouverture de 1-1/4 po (3,2 cm) à cet endroit. Passez les fils à cet endroit en respectant les normes du code national de l'électricité ou de la CSA, ainsi que les codes et les ordonnances en vigueur dans votre région.
- d. Fixez le support de fixation à l'aide de vis à bois (Fournies dans la trousse de quincaillerie de montage) sur les marques tracées sur le modèle, puis enlevez le modèle.

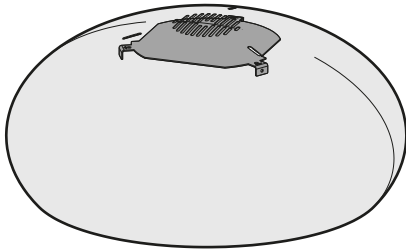
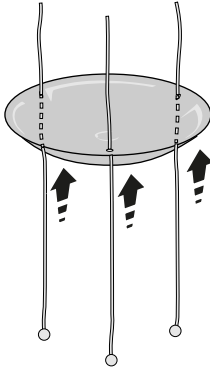
- b. Eliminar y guardar la plantilla. Cortar y retirar los paneles de yeso del techo. Instalar las tablas de madera de 2" x 4" de longitud adecuada entre las viguetas para proporcionar puntos de montaje de los soportes como se muestra arriba. Utilizar la plantilla para las dimensiones y el espacio libre requerido.

Asegurarse de fijar la madera añadida de forma firme y nivelada. Consultar con un profesional si tiene dificultades o su instalación es única. Consultar la plantilla y las figuras anteriores.

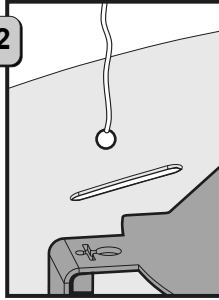
- c. Instalar paneles de yeso; luego pintar de nuevo el techo. Determinar la posición requerida para el conducto y cortar un agujero de 1-1/4" (3,2 cm) en esta ubicación. Pasar los cables por el agujero de acuerdo con el Código Eléctrico Nacional o las normas CSA y los códigos y ordenanzas locales.
- d. Fijar la plantilla con cinta adhesiva y montar el soporte con tornillos para madera (suministrados en el kit de accesorios de montaje) en los lugares marcados en la plantilla, luego retirar la plantilla.



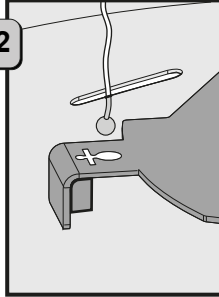
.1



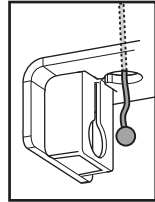
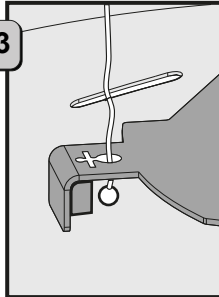
.2



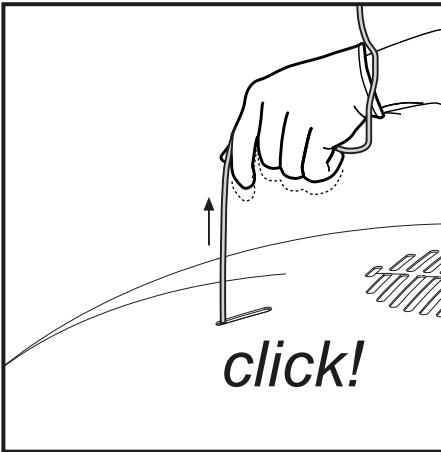
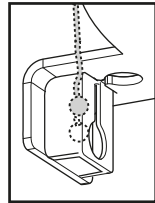
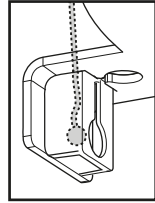
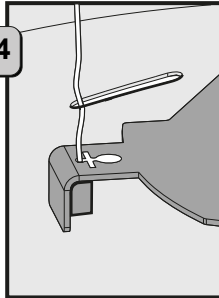
.2



.3

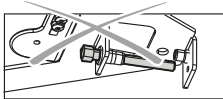


.4

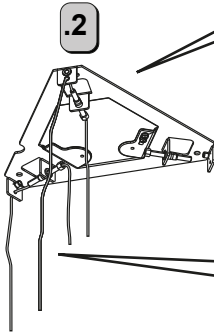
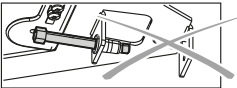


*click!*

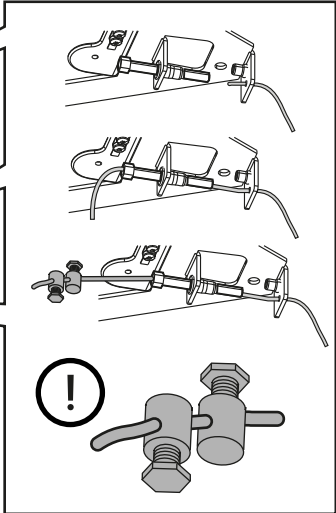
5



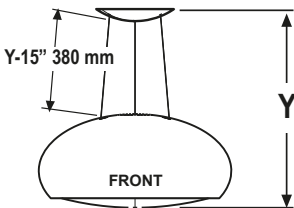
.1



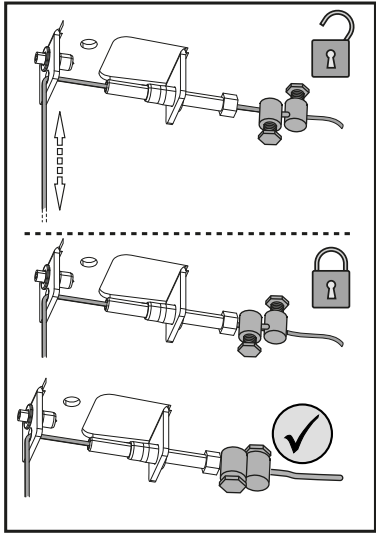
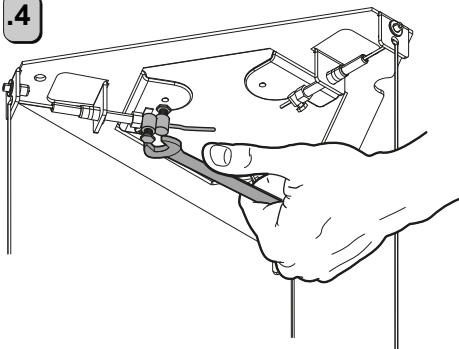
.2

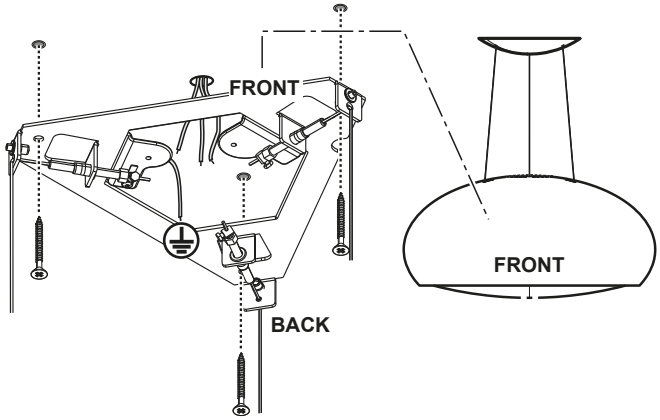
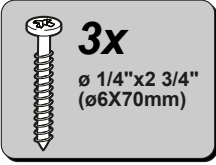


.3

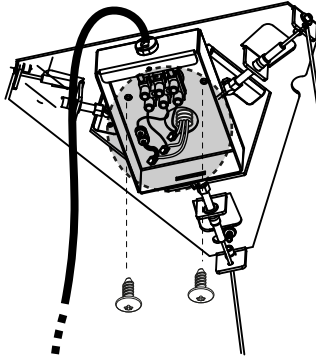
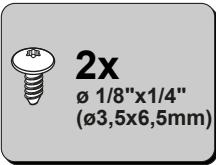


.4

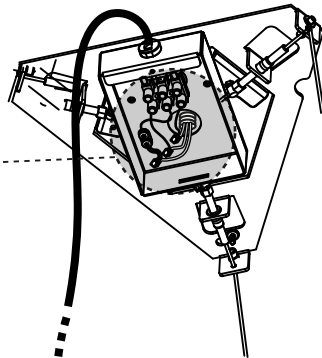
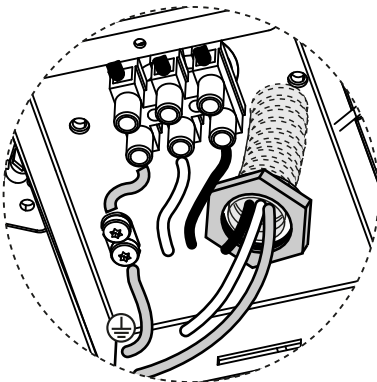




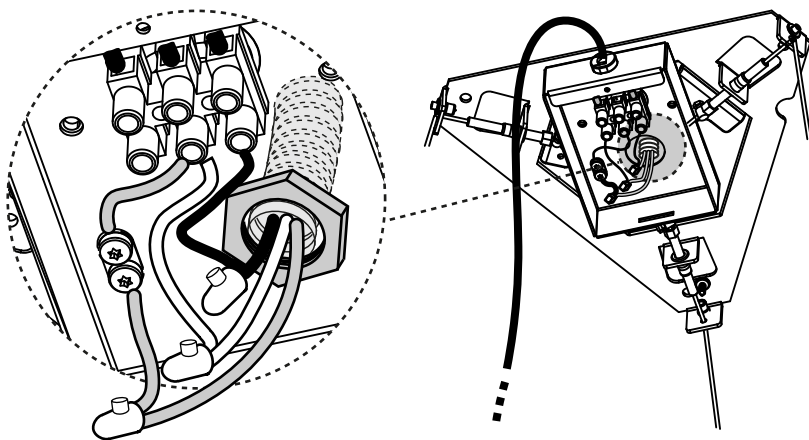
7



8



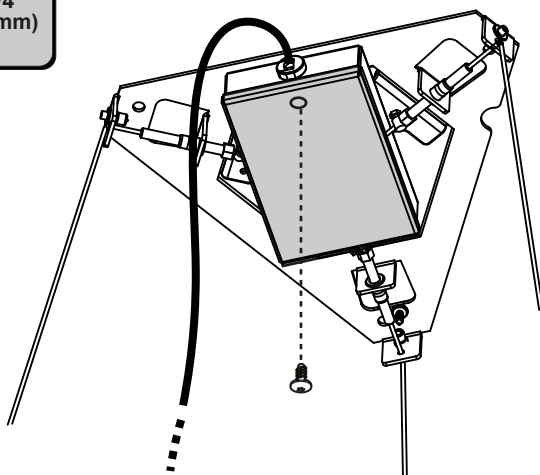
9



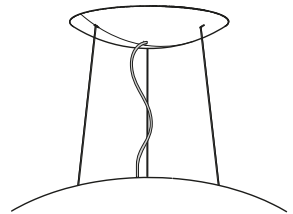
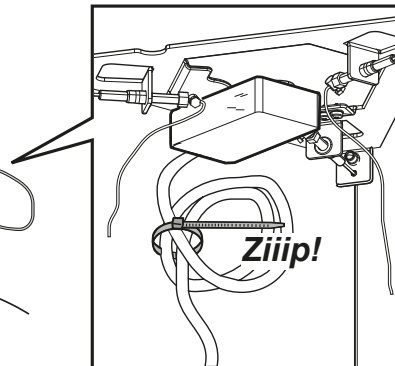
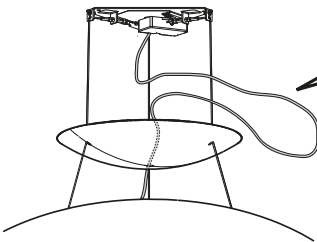
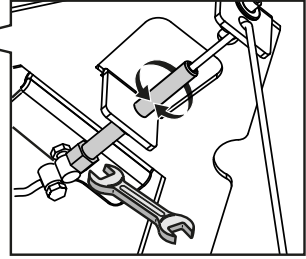
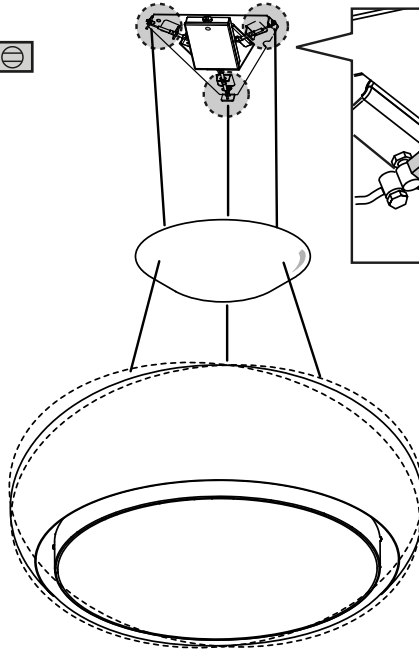
10

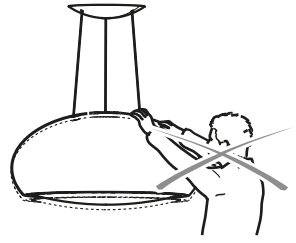
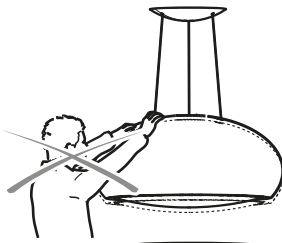


**1x**  
ø 1/8"x1/4"  
(ø3,5x 5mm)

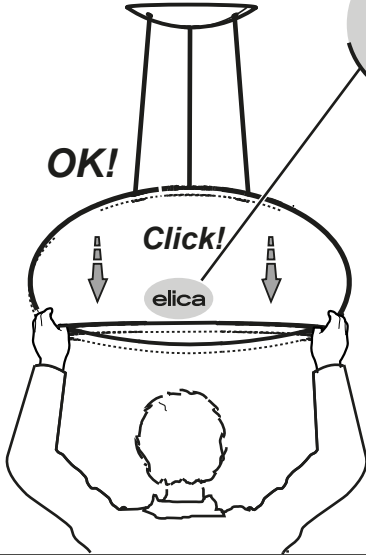


11

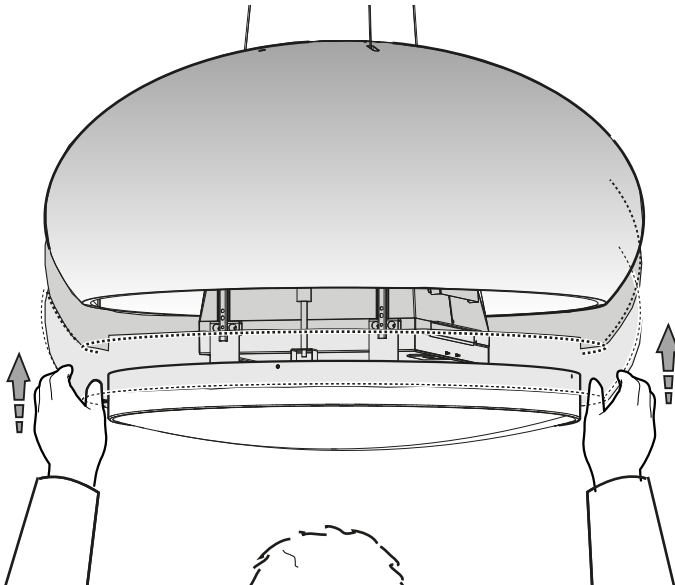
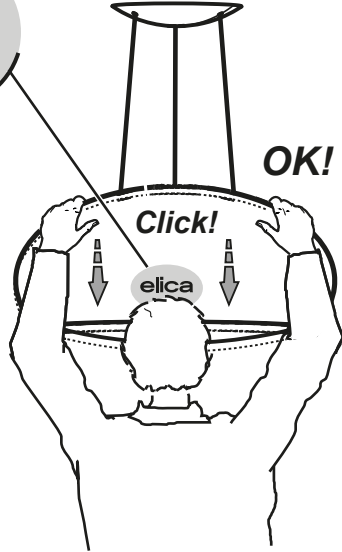


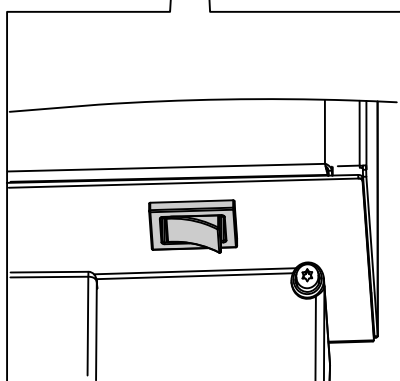
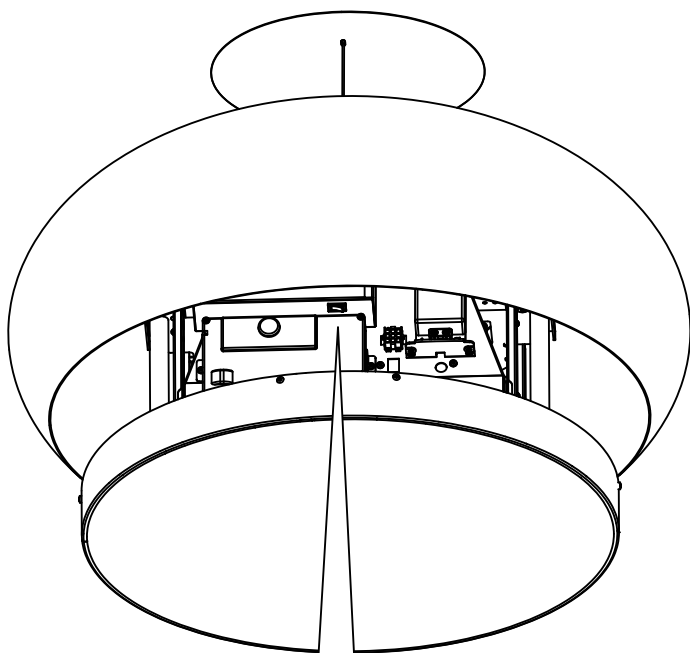


**OK!**

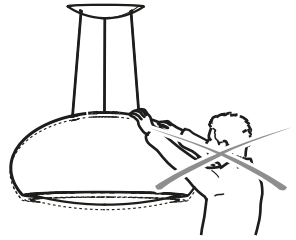
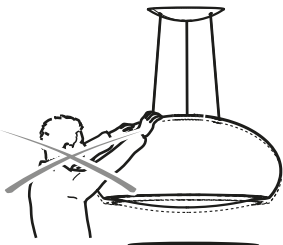


**OK!**



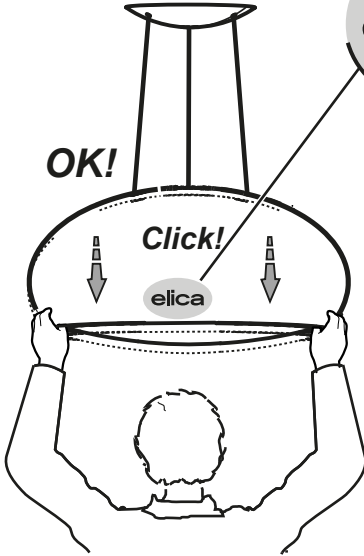


**ON / OFF**

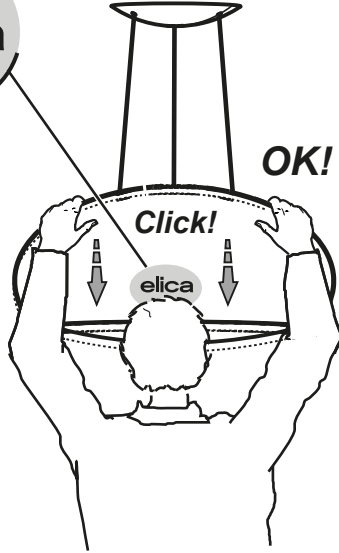


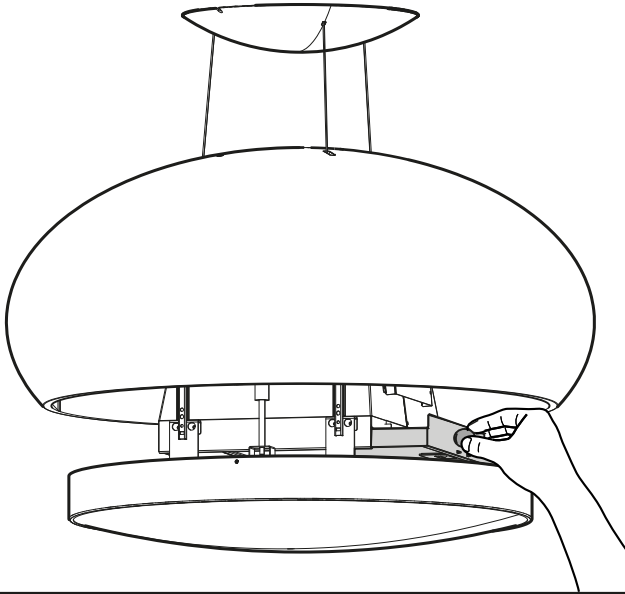
elica

OK!



OK!

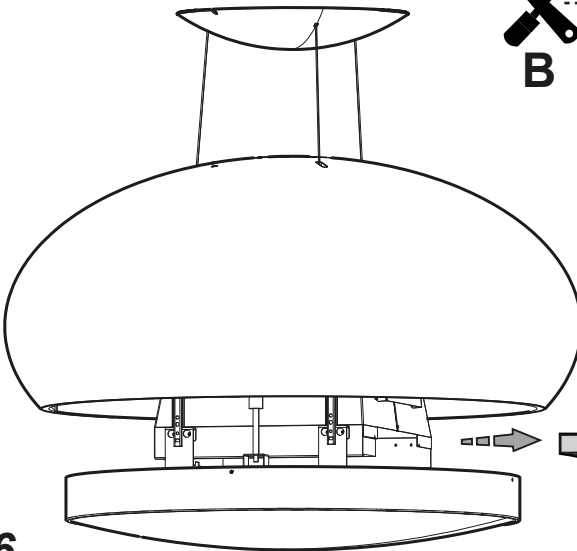




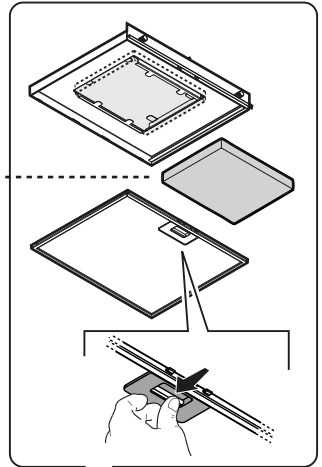
.1



A



B



.2



**elica®**



LIB0165818A Ed. 03/25