

# Front Load Washers & Dryers

Featuring IQ-Touch™ Electronic Controls



## more choices

More options, including the fastest wash and dry time,<sup>1</sup> so you spend less time in the laundry room. Plus, a bold new color for a fresh new laundry room.

### Front Load Washers:

IQ-Touch™ Controls –  
EIFLW55H MB/IW

### Front Load Dryers:

IQ-Touch™ Controls –  
EIED55H MB/IW (Electric)  
EIGD55H MB/IW (Gas)

Available in:



Mediterranean Blue



Island White

## features

### IQ-Touch™ Controls

The IQ-Touch™ control panel offers all the cycles/options you need — including a “My Favorite” setting.

### Largest Capacity Washers and Dryers<sup>2</sup>

Wash and dry the most in one load.

### Fastest Wash and Dry Times<sup>3</sup>

18 minutes to wash, 18 minutes to dry — so your clothes are ready before you are.

### front load washers

#### Perfect Balance™ System

State-of-the-art technology keeps even oversized wash loads balanced for smooth, quiet operation.

#### AquaLux™ Wash System

Energy-efficient wash system is gentle on the environment and on clothes.

#### Eco-Friendly

Gentle on the environment as they are on your clothes. IQ-Touch™ Control models are 75% more energy efficient<sup>4</sup> and use 56% less water.<sup>5</sup>

### front load dryers

#### Gentle Tumble™ Dry System

Exclusive dryer design separates and gently tumbles clothes for even drying.

#### Luxury-Dry™ System

Exceptional temperature control helps protect fabrics and keeps clothes looking great.

#### 4-Way Dryer Venting

Exclusive 4-way venting system is easy to install without side panel knock-outs, for ultimate venting flexibility.

<sup>1</sup>Fastest time based on smallest load/Fast Wash and Fast Dry cycles.

<sup>2</sup>Based on manufacturer specifications.

<sup>3</sup>Fastest time based on smallest load/Fast Wash and Fast Dry cycles.

<sup>4</sup>Energy efficiency based on current DOE Federal Minimum standard for washers based on MEF.

<sup>5</sup>Water Savings based on DOE ENERGY STAR® energy savings calculator.

Drop into our Virtual Laundry Room at [electroluxappliances.com](http://electroluxappliances.com)

# Electrolux

The New Collection from the premium kitchen appliance brand that has been used in Europe for over 70 years





**27" Front Load Washers**  
E1FLW55H MB/W

**Features**

ENERGY STAR®	Yes
NSF® Certified	Yes
Signature Soft-Arc Door Design	Yes
IQ-Touch™ Electronic Controls with LCD Display	Yes
Perfect Balance™ System	Yes
Luxury-Quiet™ Sound Package	Yes
Luxury-Design™ Lighting	Yes
Touch-2-Open™/(Close) Door	Yes
Luxury-Glide™ Touch-2-Open™/(Close) Dispenser Drawer	Yes
AquaLux™ Wash System	Yes
Integral Water Heater	Yes
Front Console Control Location	Yes
Stainless Steel Wash Drum	Yes
Automatic Water Level Adjustment	32-52
Auto Prewash Detergent Dispenser (Liquid/Powder)	Yes
Auto Bleach Dispenser (Liquid Only)	Yes
Auto Detergent Dispenser (Liquid/Powder)	Yes
Auto Fabric Softener Dispenser	Yes
Tumble Speed (RPM)	48-52 Variable
Spin Speed (RPM)	1,200
Reversible Door	Yes
Adjustable Leveling Legs	Yes

**Cycles**

Fast Wash, My Favorite (1), Deep Clean Sanitize, Heavy Duty, Whites, Colors, Normal, Casual, Delicates, Hand Wash, Spin Only	11
--	----

**Options**

Temperature Selections w/ Automatic Temperature Controls	5
Spin Speed Selections	5
Soil Level Selections	5
Delay Start (Hours)	14
End-of-Cycle Chime	Adjustable

**Accessories**

Luxury-Glide™ Touch-2-Open™/(Close) Pedestal – Mediterranean Blue (EPWD15MB), Island White (EPWD15IW)	Optional
Drain Hose Extension Kit – (137098000)	Optional
Mobile Home Installation Kit – (137067200)	Optional

**Specifications**

Power Supply/Water Inlet Location	Top Right Rear/ Top Left Rear
Voltage Rating	120V/60Hz/15A
Connected Load (kW Rating) @ 120 Volts†	1.4
Watts @ 120 Volts	1,000
Amps @ 120 Volts	12
Product Weight	237 Lbs.
Shipping Weight	247 Lbs.



**27" Front Load Dryers**  
E1E/GD55H MB/W

**Features**

NSF® Certified	Yes
Signature Soft-Arc Door Design	Yes
IQ-Touch™ Electronic Controls with LCD Display	Yes
Gentle Tumble™ Dry System	Yes
Luxury-Quiet™ Sound Package	Yes
Luxury-Design™ Lighting	Yes
Luxury-Dry™ System	Yes
Touch-2-Open™/(Close) Door	Yes
Exact Dry™ Moisture Sensor	Yes
Front Console Control Location	Yes
Stainless Steel Dryer Drum	Yes
Tumble Speed (RPM)	50
Reversible Door	Yes
Adjustable Leveling Legs	Yes

**Cycles**

Fast Dry, My Favorite (1), Heavy Duty, Bulky/Bedding, Mixed Load, Towels, Normal, Casual, Delicate, Touch Up, Timed Dry	11
---	----

**Options**

Temperature Selections	5
Electronic Auto Dry System	Yes
Manual Timed Dry Selections	4
End-of-Cycle Chime	Adjustable

**Accessories**

Luxury-Glide™ Touch-2-Open™/(Close) Pedestal – Mediterranean Blue (EPWD15MB), Island White (EPWD15IW)	Optional
Dryer Stacking Kit – (134700400)	Included
LP Conversion Kit (Gas Models) – (134709300)	Optional
Mobile Home Installation Kit – (137067200)	Optional
Drying Rack – (134912700)	Included

**Electric Specifications**

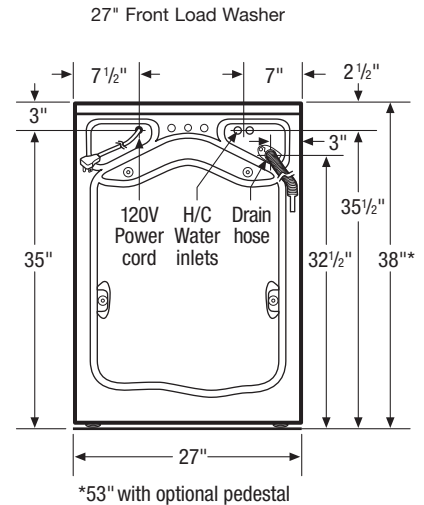
Power Supply Connection Location	Bottom Right Rear
Voltage Rating	240V/60Hz/30A
Connected Load (kW Rating) @ 240 Volts	6.48
Amps @ 240 Volts	27
Heating Element @ 240 Volts (Watts)	5500
Product Weight	130 Lbs.
Shipping Weight	140 Lbs.

**Gas Specifications**

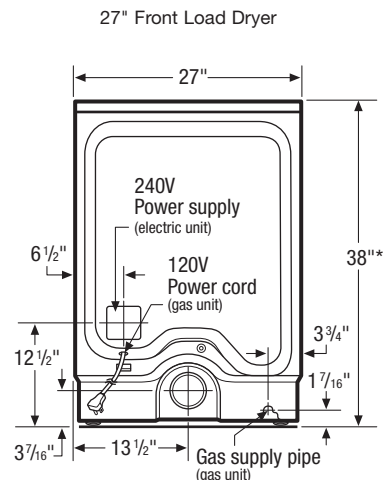
Gas/Power Supply Connection Location	Bottom Center Rear Bottom Right Rear
Voltage Rating	120V/60Hz/15A
Connected Load (kW Rating) @ 120 Volts†	1.1
Amps @ 120 Volts	9
Heating Element (BTU/HR)	22,000
Product Weight	130 Lbs.
Shipping Weight	140 Lbs.

†For use on adequately wired 120V, dedicated circuit having 2-wire service with a separate ground wire. Appliance must be grounded for safe operation. NOTE: Always consult local and/or national electric codes. Refer to Product Installation Guide for detailed installation instructions on the web at [electroluxappliances.com](http://electroluxappliances.com).

Specifications subject to change.



\*53" with optional pedestal



\*53" with optional pedestal

Dimensions	Side-by-Side Installation	Stacked Installation
Cutout –		
Height	38" min.	75-3/4" min.
Width	54" min.	27" min.
Depth	31-1/2"*	31-1/2" min.*
Overall Exterior –	<b>27" Washers</b>	<b>27" Dryers</b>
Height (Without 15" Pedestal)	38"	38"
(With 15" Pedestal)	53"	53"
Width	27"	27"
Depth (to Center of Arc)	31-1/2" Not Including Hose	31-1/2" Including Exhaust
Depth (with 90° Door Open)	50-5/8"	50-5/8"

\*To achieve minimal depth dimensions or clearances, dryer MUST be vented straight back or with quick-turn 90° elbow. Side-by-Side units in under-counter installation require custom-built countertop and/or cabinetry. Note: For planning purposes only. Refer to Product Installation Guide on the web at [electroluxappliances.com](http://electroluxappliances.com) for detailed instructions.



Accessories and Electrolux Platinum Star™ Service & Warranty information available on the web at [www.electroluxappliances.com](http://www.electroluxappliances.com)

**Electrolux Major Appliances, N.A.**

USA • 250 Bobby Jones Expressway • Augusta, GA 30907 • 1-877-4electrolux (1-877-435-3287) • [electroluxappliances.com](http://electroluxappliances.com)  
CANADA • 5855 Terry Fox Way • Mississauga, ON L5V 3E4 • 1-800-265-8352 • [electroluxappliances.ca](http://electroluxappliances.ca)