

### PRODUCT SPECIFICATIONS

Elkay Crosstown® 16 Gauge Stainless Steel, 47-1/4" x 18-1/2" x 10", 60/40 Double Bowl Undermount Sink with Drainboard. Sink is manufactured from 16 gauge 304 Stainless Steel with a Polished Satin finish, Center drain placement, and Sound Guard.

<b>Installation Type:</b>	Undermount
<b>Material:</b>	304 Stainless Steel
<b>Finish:</b>	Polished Satin
<b>Gauge:</b>	16
<b>Sound Deadening:</b>	Sound Guard
<b>Number of Bowls:</b>	2
<b>Sink Dimensions:</b>	47-1/4" x 18-1/2" x 10"
<b>Bowl 1 Dimensions:</b>	16" x 16" x 10"
<b>Bowl 2 Dimensions:</b>	11-1/2" x 16" x 10"
<b>Drain Size:</b>	3-1/2" (89mm)
<b>Drain Location:</b>	Center
<b>Minimum Cabinet Size:</b>	51"
<b>Template Included:</b>	Yes
<b>Cutout Template #:</b>	<a href="#">1000001410</a>

Template is available for download at [elkay.com](#)



AMERICAN PRIDE. A LIFETIME TRADITION. Like your family, the Elkay family has values and traditions that endure. For almost a century, Elkay has been a family-owned and operated company, providing thousands of jobs that support our families and communities.



Sinks are listed by IAPMO® as meeting the applicable requirements of the Uniform Plumbing Code®, International Plumbing Code®, and National Plumbing Code of Canada.

**Product Compliance:** ASME A112.19.3/CSA B45.4

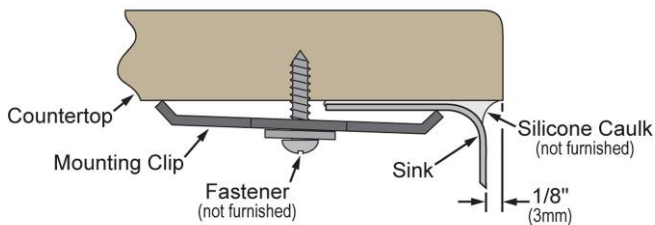
[Clean and Care Manual \(PDF\)](#)

[Installation Instructions \(PDF\)](#)

[Limited Lifetime Warranty \(PDF\)](#)

### Installation Profile:

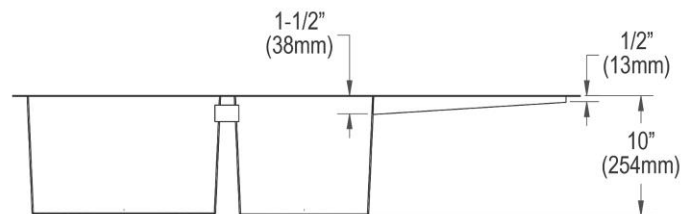
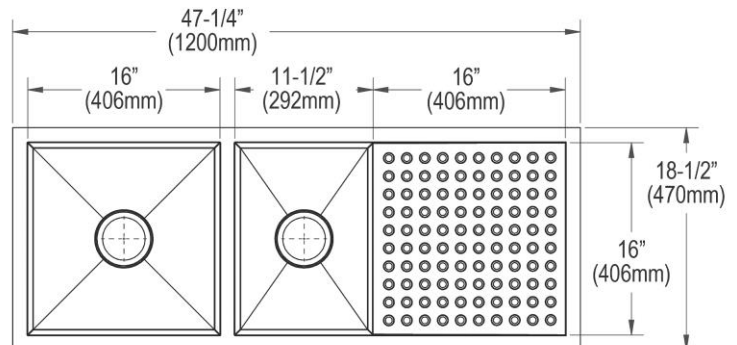
1/8" OVERHANG



Designed to affix to the underside of any solid surface countertop.

### OPTIONAL ACCESSORIES

<b>Bottom Grid:</b>	CTXBG1414, CTXBG1014
<b>Drain:</b>	LKDD, LK35
<b>Faucet:</b>	LKAV1031, LKAV2031, LKAV3041
<b>Hardware:</b>	LKUCLIP8 (2 Required)
<b>Sinkmate:</b>	LKSMHSL



PART: \_\_\_\_\_ QTY: \_\_\_\_\_

PROJECT: \_\_\_\_\_

CONTACT: \_\_\_\_\_

DATE: \_\_\_\_\_

NOTES: \_\_\_\_\_

APPROVAL: \_\_\_\_\_

In keeping with our policy of continuing product improvement, Elkay reserves the right to change product specifications without notice. Please visit [elkay.com](#) for the most current version of Elkay product specification sheets. This specification describes an Elkay product with design, quality, and functional benefits to the user. When making a comparison of other producers' offerings, be certain these features are not overlooked.

*In keeping with our policy of continuing product improvement, Elkay reserves the right to change product specifications without notice. Please visit [elkay.com](http://elkay.com) for the most current version of Elkay product specification sheets. This specification describes an Elkay product with design, quality, and functional benefits to the user. When making a comparison of other producers' offerings, be certain these features are not overlooked.*