

PRODUCT SPECIFICATIONS

Elkay Copper 31-1/4" x 20-1/2" x 10", Offset Double Bowl Undermount Sink. Sink is hand fabricated from 16 gauge genuine, uncoated copper that will continue to age and tarnish naturally. Sink has Rear Center drain placement, and Sides and Bottom pads.

| | |
|------------------------------|-------------------------------------|
| Installation Type: | Undermount |
| Material: | Copper |
| Finish: | Antique Hammered |
| Gauge: | 16 |
| Sound Deadening: | Sides and Bottom pads |
| Number of Bowls: | 2 |
| Sink Dimensions: | 31-1/4" x 20-1/2" x 10" |
| Bowl 1 Dimensions: | 14" x 18" x 10" |
| Bowl 2 Dimensions: | 13-1/2" x 16" x 8" |
| Drain Size: | 3-1/2" (89mm) |
| Drain Location: | Rear Center |
| Minimum Cabinet Size: | 36" |
| Mounting Hardware: | Undermount brackets sold separately |



AMERICAN PRIDE. A LIFETIME TRADITION.
Like your family, the Elkay family has values and traditions that endure. For almost a century, Elkay has been a family-owned and operated company, providing thousands of jobs that support our families and communities.

Product Compliance: CSA B45.12/IAPMO Z402

[Clean and Care Manual \(PDF\)](#)
[Installation Instructions \(PDF\)](#)
[Warranty \(PDF\)](#)

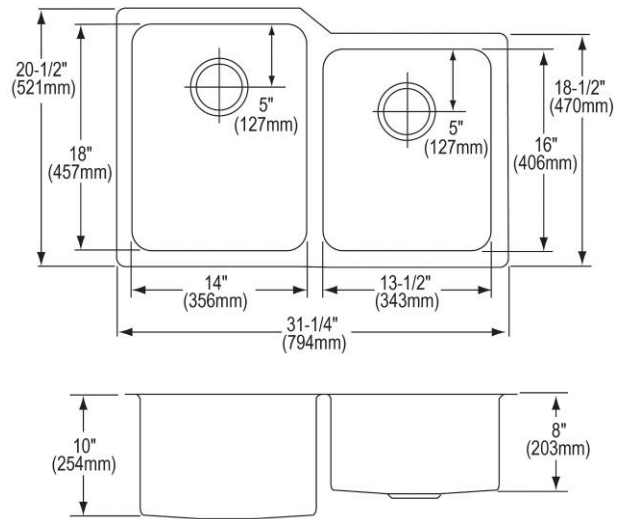
Installation Profile:

Requires professional installation. Use actual sink as template to determine cut-out opening.

All Elkay undermount sinks are designed to affix to the underside of any solid surface countertop.

OPTIONAL ACCESSORIES

| | |
|------------------------|----------------|
| Drain: | LK35AC |
| Faucet: | LK9102, LK9101 |
| Hardware: | LKUCLIP8 |
| Soap Dispenser: | LKAV3054 |



PART: _____ QTY: _____

PROJECT: _____

CONTACT: _____

DATE: _____

NOTES: _____

APPROVAL: _____

In keeping with our policy of continuing product improvement, Elkay reserves the right to change product specifications without notice. Please visit elkay.com for the most current version of Elkay product specification sheets. This specification describes an Elkay product with design, quality, and functional benefits to the user. When making a comparison of other producers' offerings, be certain these features are not overlooked.