

PRODUCT SPECIFICATIONS

Elkay Asana® Copper 19" x 16" x 6-1/2", Single Bowl Undermount Bathroom Sink. Sink is hand fabricated from 16 gauge genuine, uncoated copper that will continue to age and tarnish naturally. Sink has Center drain placement, and Sides only pads.

Installation Type:	Undermount
Material:	Copper
Finish:	Antique Hammered
Gauge:	16
Sound Deadening:	Sides only pads
Number of Bowls:	1
Sink Dimensions:	19" x 16" x 6-1/2"
Bowl 1 Dimensions:	17" x 14" x 6-1/2"
Drain Size:	1-3/4" (44mm)
Drain Location:	Center
Minimum Cabinet Size:	24"
Mounting Hardware:	Undermount brackets sold separately



AMERICAN PRIDE. A LIFETIME TRADITION.
Like your family, the Elkay family has values and traditions that endure. For almost a century, Elkay has been a family-owned and operated company, providing thousands of jobs that support our families and communities.

Product Compliance: ADA & ICC A117.1
CSA B45.12/IAPMO Z402


Installation Profile:


Requires professional installation. Use actual sink as template to determine cut-out opening.

All Elkay undermount sinks are designed to affix to the underside of any solid surface countertop.

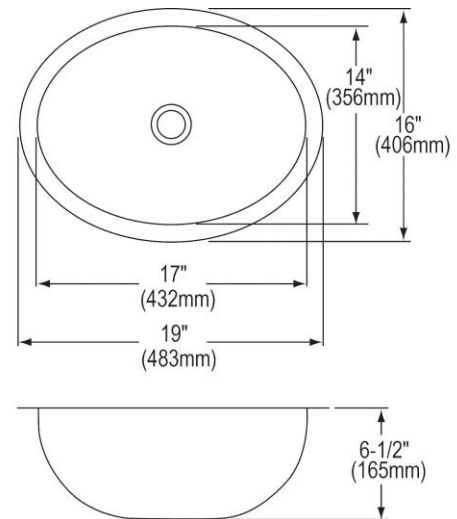
OPTIONAL ACCESSORIES

Hardware:	LKUCLIP8
------------------	----------

 Sinks are listed by IAPMO® as meeting the applicable requirements of the Uniform Plumbing Code®, International Plumbing Code®, and National Plumbing Code of Canada.

 Complies with ADA & ICC A117.1 accessibility requirements when installed according to the requirements outlined in these standards.

[Clean and Care Manual \(PDF\)](#)
[Installation Instructions \(PDF\)](#)
[Warranty \(PDF\)](#)



PART: _____ QTY: _____
 PROJECT: _____
 CONTACT: _____
 DATE: _____
 NOTES: _____
 APPROVAL: _____

In keeping with our policy of continuing product improvement, Elkay reserves the right to change product specifications without notice. Please visit elkay.com for the most current version of Elkay product specification sheets. This specification describes an Elkay product with design, quality, and functional benefits to the user. When making a comparison of other producers' offerings, be certain these features are not overlooked.