

PRODUCT SPECIFICATIONS

Elkay Crosstown[®] 18 Gauge Stainless Steel 33" x 22" x 9" Equal Double Bowl Dual Mount Sink Kit with Filtered Faucet with Aqua Divide. Sink is handmade/fabricated from 18 gauge 304 Stainless Steel with a Stainless Steel finish, Rear Center drain placement, and Full spray sides and bottom with Sides and Bottom pads.

Installation Type:	Sink Kits, Drop-in, Undermount
Material:	304 Stainless Steel
Finish:	Stainless Steel
Gauge:	18
Sound Deadening:	Full spray sides and bottom with Sides and Bottom pads
Number of Bowls:	2
Sink Dimensions:	33" x 22" x 9"
Bowl 1 Dimensions:	14-3/4" x 16-3/4" x 9"
Bowl 2 Dimensions:	14-3/4" x 16-3/4" x 9"
Drain Size:	3-1/2" (89mm)
Drain Location:	Rear Center
Minimum Cabinet Size:	36"
Mounting Hardware:	Included
Template Included:	Yes
Cutout Template #:	1000001180

Template is available for download at [elkay.com](#). CAD software will be required to open the template.



Included with Product:

LKAV7051FCR Faucet with filter included, two LKDD Drains, two CTXBG1315 Bottom Grids

A Century of Tradition and Quality. For more than 100 years, Elkay has been making innovative products and providing exceptional customer care. We take pride in offering plumbing products that make life easier, inspire change and leave the world a better place.



Product Compliance:

Faucet:

ASME A112.19.3/CSA B45.4
ASME A112.18.1/CSA B125.1
NSF 61
NSF 372 (lead free)

Accessory:

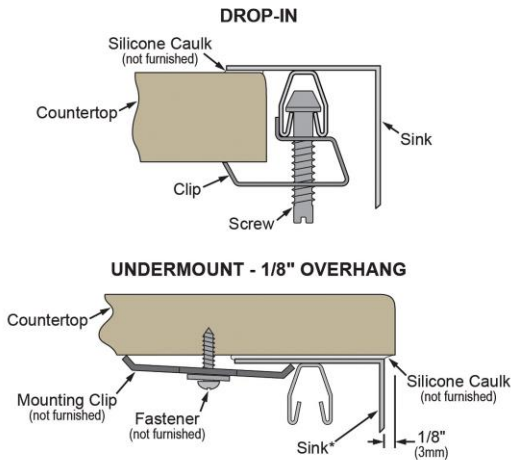
ASME A112.18.2/CSA B125.2
NSF 42
NSF 53
NSF 401

[Clean and Care Manual \(PDF\)](#)

[Installation Instructions \(PDF\) - 1000005237](#)

[Warranty \(PDF\)](#)

Installation Profile:



*Designed to affix to the underside of any solid surface countertop.

PART: _____ QTY: _____

PROJECT: _____



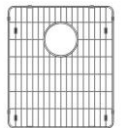
CONTACT: _____

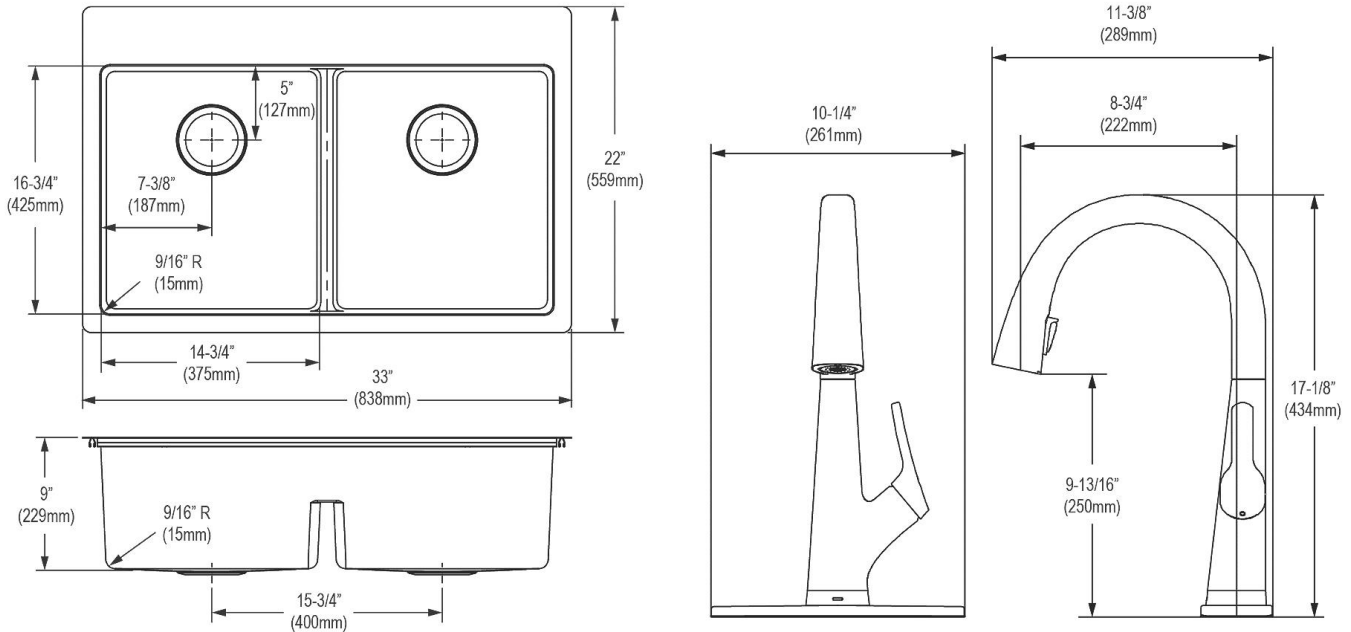
DATE: _____



NOTES: _____

APPROVAL: _____

In keeping with our policy of continuing product improvement, Elkay reserves the right to change product specifications without notice. Please visit [elkay.com](#) for the most current version of Elkay product specification sheets. This specification describes an Elkay product with design, quality, and functional benefits to the user. When making a comparison of other producers' offerings, be certain these features are not overlooked.

Included Accessories		
LKAV7051FCR	Elkay Avado® Single Hole 2-in-1 Kitchen Faucet with Filtered Drinking Water Chrome Spec Sheet (PDF)	
LKDD	Elkay® 3-1/2" Drain Fitting Deep Strainer Basket Spec Sheet (PDF)	
CTXBG1315	Elkay Crosstown Stainless Steel 13-1/2" x 15-1/2" x 1-1/4" Bottom Grid Spec Sheet (PDF)	



Optional Accessories		
LK35	Elkay 3-1/2" Drain Fitting Type 304 Stainless Steel Body Strainer Basket and Tailpiece Spec Sheet (PDF)	
ERF750	Elkay® 750-gallon Residential Replacement Filter Spec Sheet (PDF)	

In keeping with our policy of continuing product improvement, Elkay reserves the right to change product specifications without notice. Please visit elkay.com for the most current version of Elkay product specification sheets. This specification describes an Elkay product with design, quality, and functional benefits to the user. When making a comparison of other producers' offerings, be certain these features are not overlooked.