

PRODUCT SPECIFICATIONS

Elkay Crosstown® Stainless Steel 31-1/2" x 18-1/2" x 9", 40/60 Double Bowl Undermount Sink. Sink is manufactured from 18 gauge 304 Stainless Steel with a Polished Satin finish, Rear Center drain placement, and Sound Guard.

| | |
|------------------------------|----------------------------|
| Installation Type: | Undermount |
| Material: | 304 Stainless Steel |
| Finish: | Polished Satin |
| Gauge: | 18 |
| Sound Deadening: | Sound Guard |
| Number of Bowls: | 2 |
| Sink Dimensions: | 31-1/2" x 18-1/2" x 9" |
| Bowl 1 Dimensions: | 12" x 17" x 9" |
| Bowl 2 Dimensions: | 17" x 17" x 9" |
| Drain Size: | 3-1/2" (89mm) |
| Drain Location: | Rear Center |
| Minimum Cabinet Size: | 36" |
| Template Included: | Yes |
| Cutout Template #: | 1000001381 |

Template is available for download at [elkay.com](#)



AMERICAN PRIDE. A LIFETIME TRADITION. Like your family, the Elkay family has values and traditions that endure. For almost a century, Elkay has been a family-owned and operated company, providing thousands of jobs that support our families and communities.

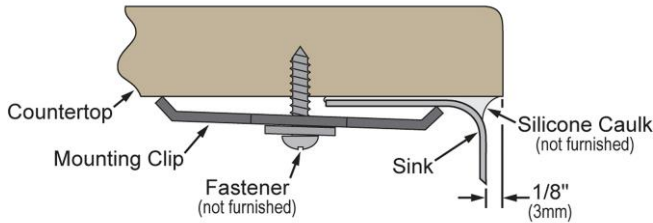
Sinks are listed by IAPMO® as meeting the applicable requirements of the Uniform Plumbing Code®, International Plumbing Code®, and National Plumbing Code of Canada.

Product Compliance: ASME A112.19.3/CSA B45.4

[Clean and Care Manual \(PDF\)](#)
[Installation Instructions \(PDF\)](#)
[Limited Lifetime Warranty \(PDF\)](#)

Installation Profile:

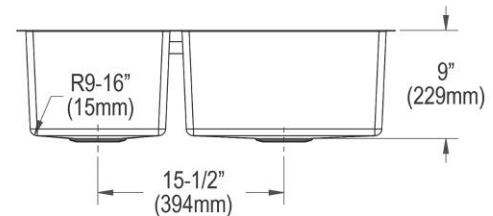
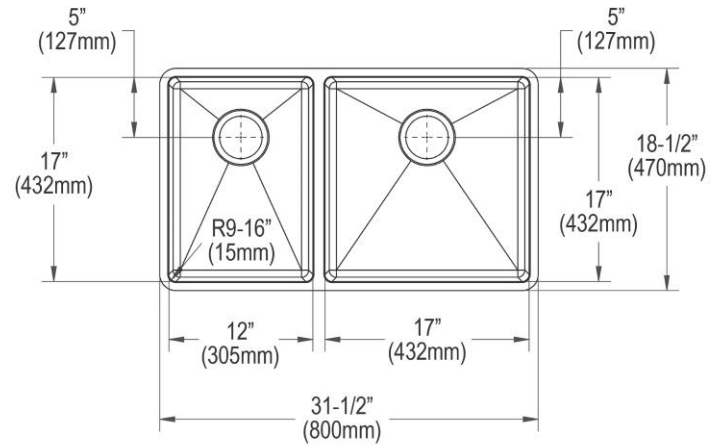
1/8" OVERHANG



Designed to affix to the underside of any solid surface countertop.

OPTIONAL ACCESSORIES

| | |
|---------------------|--|
| Bottom Grid: | CTXBG1015, CTXBG1515 |
| Drain: | LKDD, LK35 |
| Faucet: | LK3000CR, LK3001CR, LK5000CR, LK5000LS, LK6000CR, LK6000LS |
| Hardware: | LKUCLIP8 |
| Sinkmate: | LKSMHSL |



PART: _____ QTY: _____
 PROJECT: _____
 CONTACT: _____
 DATE: _____
 NOTES: _____
 APPROVAL: _____

In keeping with our policy of continuing product improvement, Elkay reserves the right to change product specifications without notice. Please visit [elkay.com](#) for the most current version of Elkay product specification sheets. This specification describes an Elkay product with design, quality, and functional benefits to the user. When making a comparison of other producers' offerings, be certain these features are not overlooked.

In keeping with our policy of continuing product improvement, Elkay reserves the right to change product specifications without notice. Please visit elkay.com for the most current version of Elkay product specification sheets. This specification describes an Elkay product with design, quality, and functional benefits to the user. When making a comparison of other producers' offerings, be certain these features are not overlooked.