

INSTALLATION GUIDE

E Series Built-In Ovens



Contents

Wolf E Series Built-In Ovens	3
E Series Oven Specifications	4
E Series Oven Installation	15
Service Information	18

Features and specifications are subject to change at any time without notice. Visit wolfappliance.com/specs for the most up-to-date information.

IMPORTANT NOTE: Throughout this guide, dimensions in parentheses are millimeters unless otherwise specified.

Important Note

To ensure the safe and efficient use of Wolf equipment, please take note of the following types of highlighted information throughout this guide:

IMPORTANT NOTE highlights information that is especially important.

CAUTION signals a situation where minor injury or product damage may occur if instructions are not followed.

WARNING states a hazard that may cause serious injury or death if precautions are not followed.



E Series Oven Installation

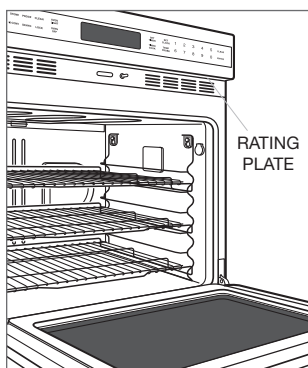
IMPORTANT NOTE: This installation must be completed by a qualified installer or Wolf authorized service center technician.

Read this entire installation guide prior to installation and save for the local inspector's reference. The homeowner should keep this installation guide for future reference.

This appliance must be installed in accordance with National Electrical Codes, as well as all state, municipal and local codes. The correct voltage, frequency and amperage must be supplied to the appliance from a dedicated, grounded circuit which is protected by a properly sized circuit breaker or time delay fuse. The proper voltage, frequency and amperage ratings are listed on the product rating plate.

Record the model and serial numbers before installing the E series oven. Both numbers are listed on the product rating plate located below the control panel. The oven door must be open to view the rating plate. Refer to the illustration below.

Wolf E Series Oven	
Model Number	
Serial Number	

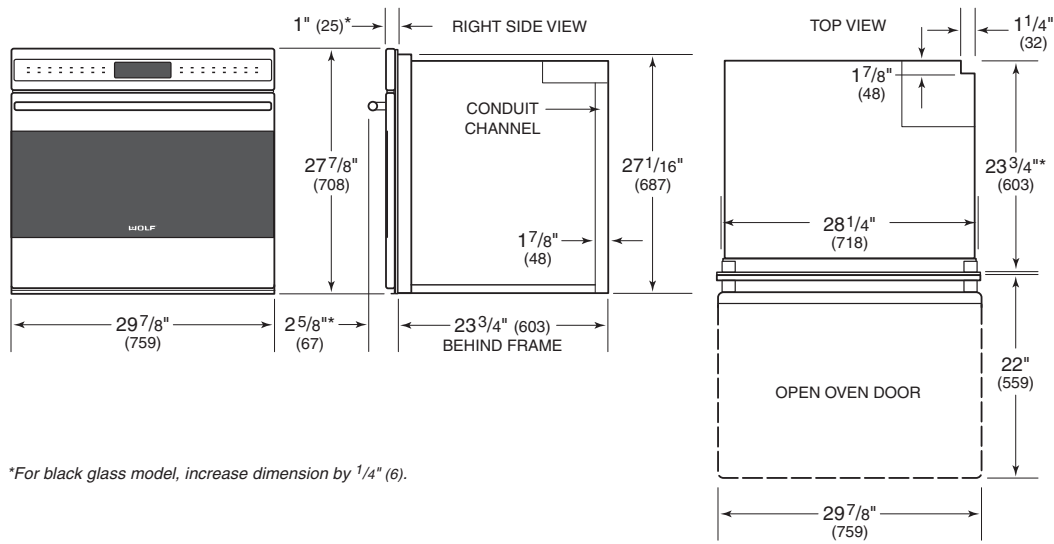


Location of rating plate.

Overall Dimensions

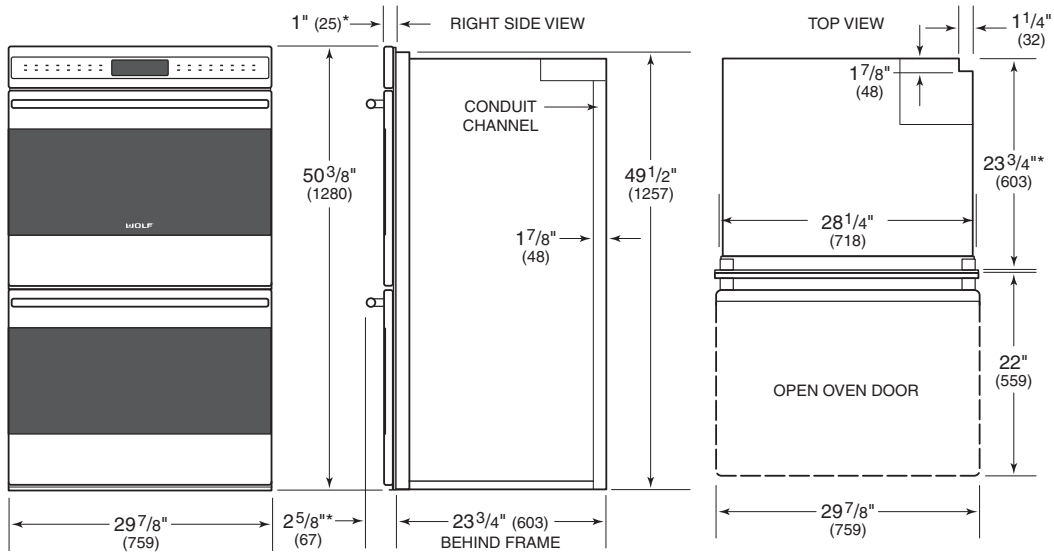
E SERIES SINGLE OVEN

Model SO30-2U/S shown



E SERIES DOUBLE OVEN

Model DO30-2U/S shown



*For black glass model, increase dimension by 1/4" (6).

E Series Built-In Ovens

For ease of installation, Wolf recommends using a 33" (838) wide cabinet with the E series oven. The installation opening must have a flat, level base to support the oven. The single oven requires a minimum base support of 250 lbs (115 kg). The double oven requires a minimum base support of 400 lbs (180 kg).

STANDARD INSTALLATION

A minimum 24" (610) of usable cabinet depth is required for standard installations, or the back panel of the cabinet may need to be removed for proper installation. The electrical box must be flush with the back panel of the cabinet.

For standard installations, the E series oven is installed by inserting into cabinetry from the front. The oven has a face trim on all four sides and will overlap stiles and rails. The trim overlaps $\frac{5}{8}$ " (16) on the top, $\frac{1}{8}$ " (3) on the bottom and $\frac{3}{4}$ " (19) on each side.

FLUSH INSET INSTALLATION

For flush inset installations, a minimum 25" (635) of usable cabinet depth is required, 25 $\frac{1}{4}$ " (641) for black glass models, or the back panel of the cabinet may need to be removed for proper installation. The electrical box must be flush with the back panel of the cabinet.

For flush inset installations, the inside edges of the rough opening must be finished, as they will be exposed when the oven door is open. These edges should be stained instead of having a laminated surface, to avoid damage from high temperatures during self-clean.

COMBINATION INSTALLATIONS

Wolf built-in ovens are designed and agency approved for installation with Wolf cooktops, microwaves and warming drawers only. The nominal width of the built-in oven should match the nominal width of the cooktop. A built-in oven cannot be installed below a Wolf rangetop.

For typical combination installations, refer to the illustrations on pages 11–14.

The single oven may be installed next to another E series single oven. You must allow for a 1 $\frac{1}{2}$ " (38) space between the oven rough openings. Also, a separate inner wall is required for each oven between openings.

Electrical Requirements

IMPORTANT NOTE: Unless you are using cabinets deeper than 24" (610) for a standard installation or 25" (635) for a flush inset installation, it is recommended that the electrical supply for the oven be placed in an adjacent cabinet within reach of the conduit. Choose the electrical location shown in the illustrations on the following pages that best suits your installation.

E SERIES SINGLE OVEN

- Power supply: 240/208 V AC, 60 Hz with 30 amp service.
- Maximum connected load: 5.1 kW.
- Total amps: 21 amps.
- Supply wire minimum size: L1, L2 and ground—10 AWG.

E SERIES DOUBLE OVEN

- Power supply: 240/208 V AC, 60 Hz with 50 amp service.
- Maximum connected load: 8.9 kW.
- Total amps: 37 amps.
- Supply wire minimum size: L1, L2 and ground—10 AWG.

IMPORTANT NOTE: You must follow all National Electrical Code regulations. In addition, be aware of local codes and ordinances when installing your service.

IMPORTANT NOTE: Performance may be compromised if the electrical supply is less than 240 volts.

The E series oven is provided with a conduit consisting of two insulated hot lead conductors and an insulated ground conductor. The wiring diagram covering the control circuit is located on the top of the E series oven in a sealed plastic bag.

▲ WARNING

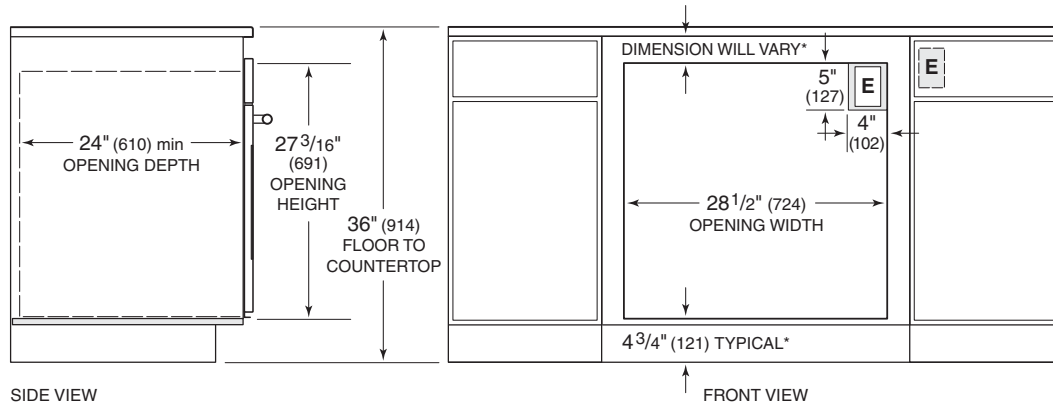
The complete appliance must be properly grounded at all times when electrical power is applied.

Grounding through the neutral conductor is prohibited for new branch-circuit installations (1996 NEC); mobile homes and recreational vehicles, or where local codes prohibit grounding through the neutral conductor.

If aluminum house supply wiring is utilized, splice the appliance copper wire to the aluminum house wiring using special connectors design and agency certified for joining copper and aluminum. Follow the connector manufacturer's recommended procedure carefully. Improper connection can result in a fire hazard.

E Series Single Oven

STANDARD INSTALLATION

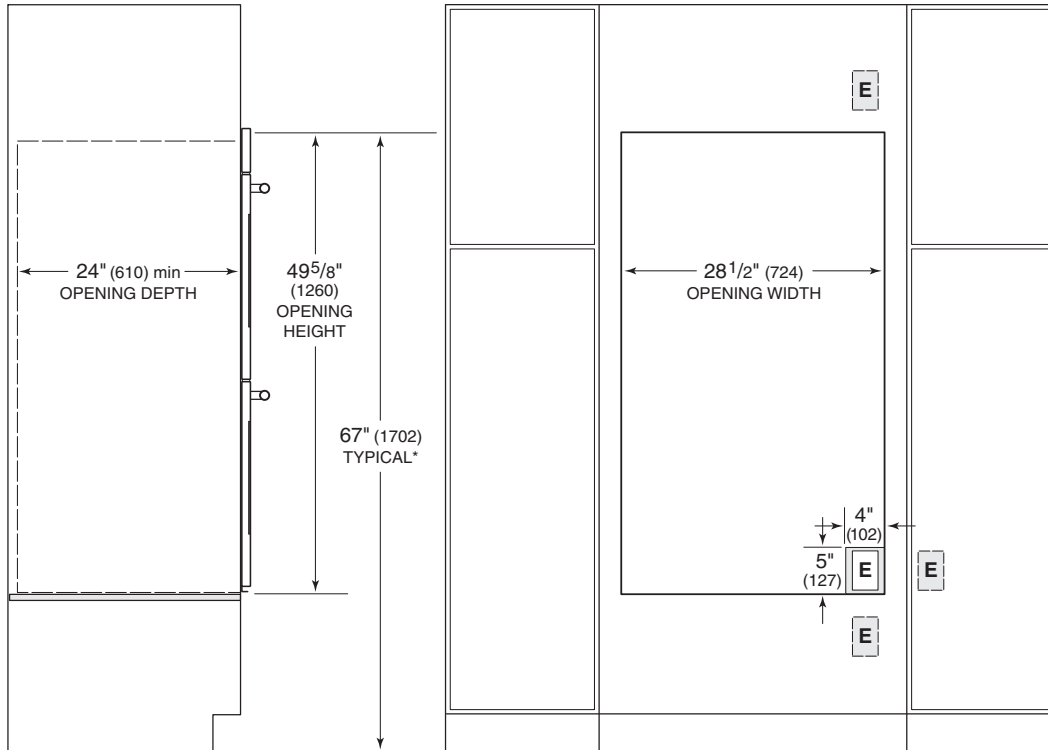


*Dimension must accommodate height of oven trim.

NOTES: Location of electrical supply within opening may require additional cabinet depth.
Dashed line represents profile of unit.

E Series Double Oven

STANDARD INSTALLATION



SIDE VIEW

FRONT VIEW

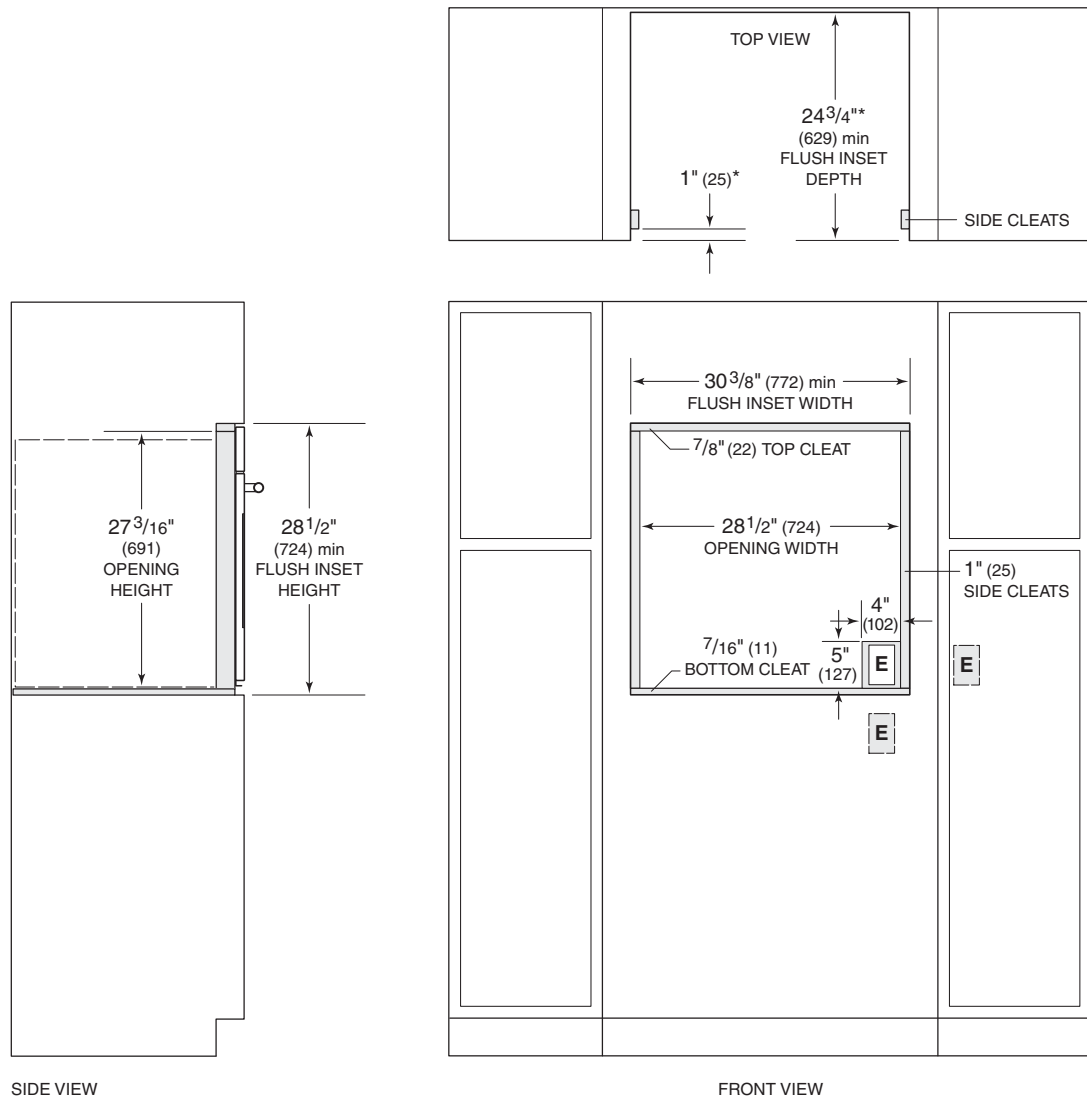
*Dimension must accommodate height of oven trim.

NOTES: Location of electrical supply within opening may require additional cabinet depth.

Dashed line represents profile of unit.

E Series Single Oven

FLUSH INSET INSTALLATION

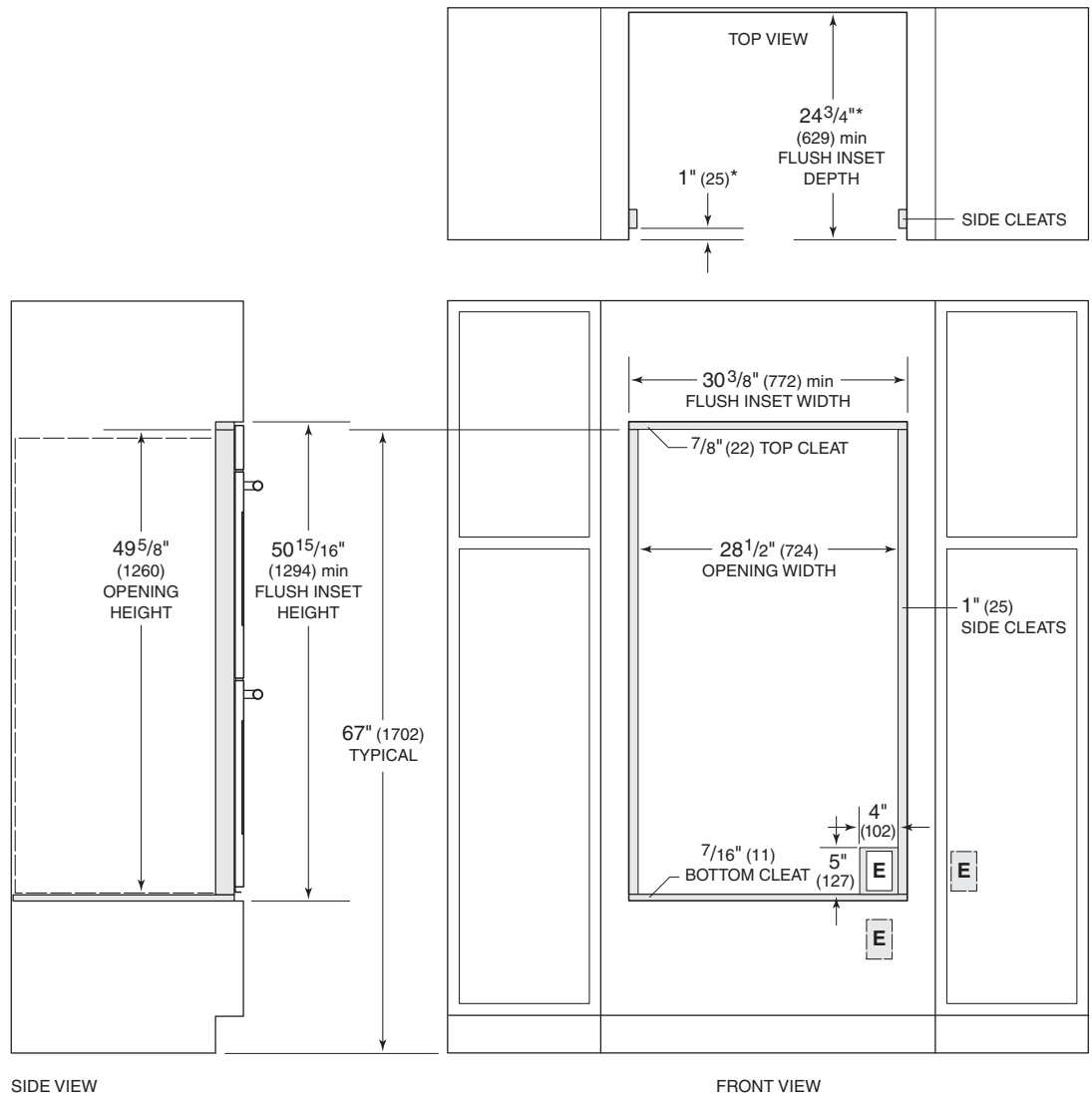


*For black glass model, increase dimension by $\frac{1}{4}''$ (6).

NOTES: Minimum base support 250 lbs (113 kg).
 Location of electrical supply within opening may require additional cabinet depth.
 Cleats may be visible and should be finished to match cabinetry.
 Dashed line represents profile of unit.

E Series Double Oven

FLUSH INSET INSTALLATION

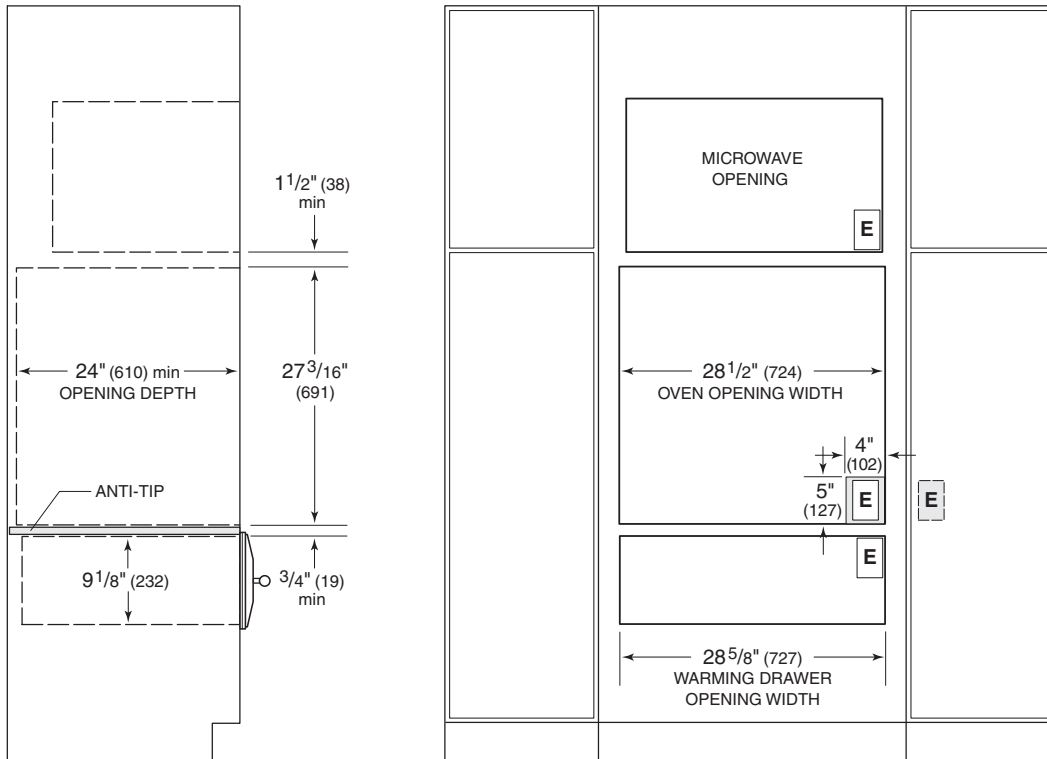


*For black glass model, increase dimension by $\frac{1}{4}''$ (6).

NOTES: Minimum base support 400 lbs (181 kg).
 Location of electrical supply within opening may require additional cabinet depth.
 Cleats may be visible and should be finished to match cabinetry.
 Dashed line represents profile of unit.

E Series Single Oven

STANDARD INSTALLATION WITH MICROWAVE AND WARMING DRAWER



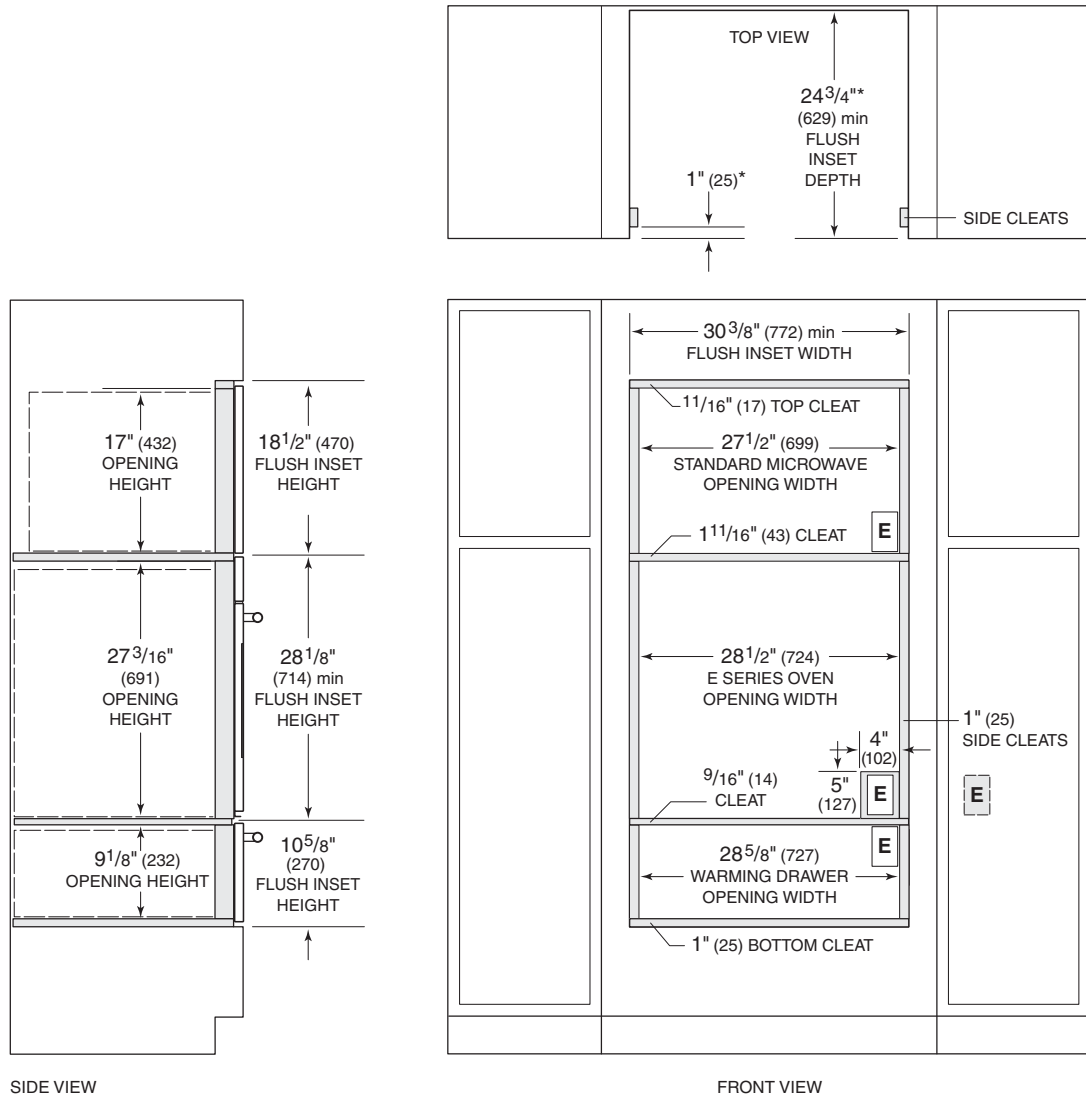
SIDE VIEW

FRONT VIEW

NOTES: Minimum base support for oven 250 lbs (113 kg).
 Location of electrical supply within opening may require additional cabinet depth.
 Dashed line represents profile of unit.

E Series Single Oven

FLUSH INSET INSTALLATION WITH STANDARD MICROWAVE AND WARMING DRAWER

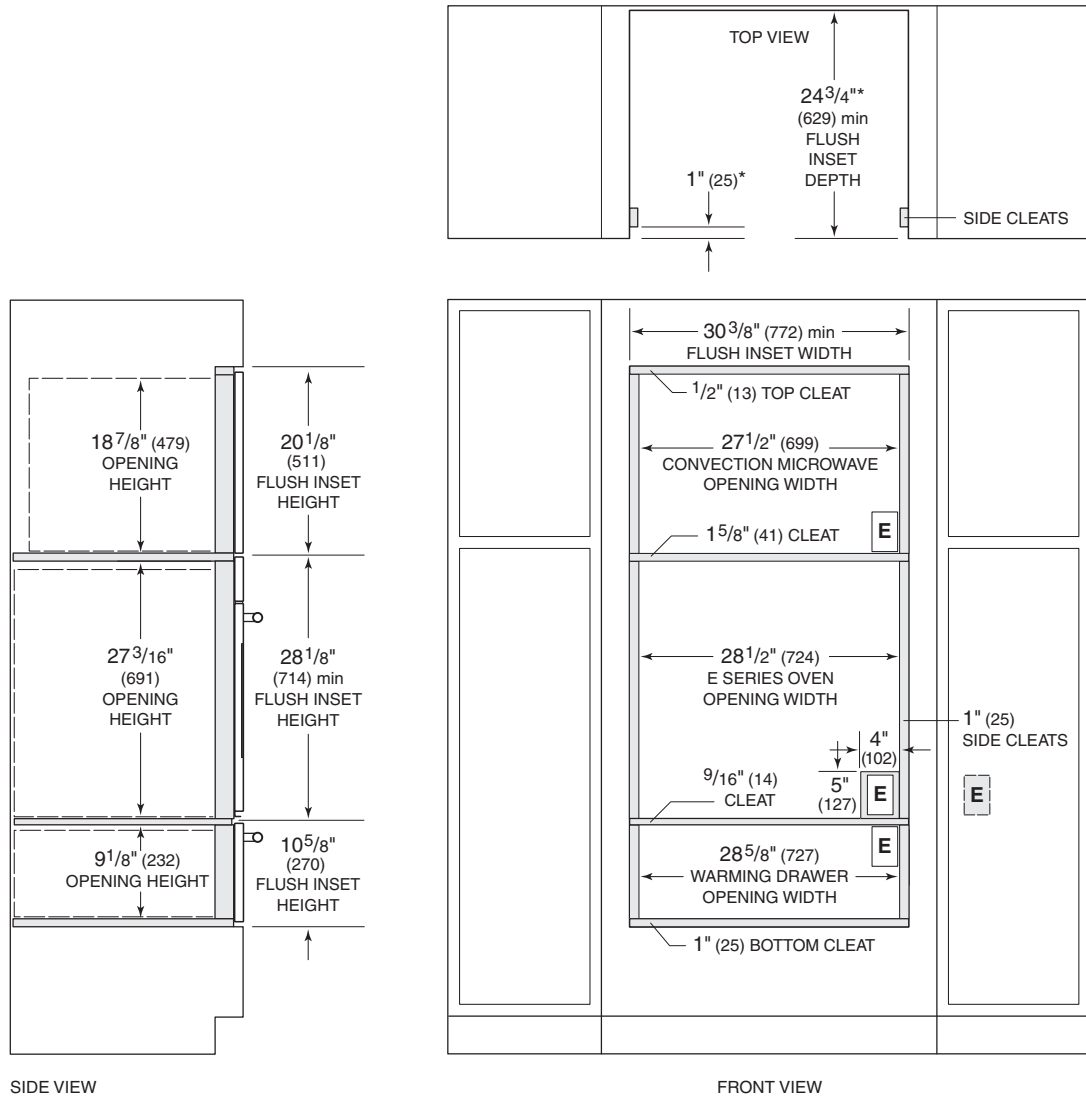


*For black glass model, increase dimension by 1/4" (6).

NOTES: Minimum base support for oven 250 lbs (113 kg).
Location of electrical supply within oven opening may require additional cabinet depth.
Cleats may be visible and should be finished to match cabinetry.
Dashed line represents profile of unit.

E Series Single Oven

FLUSH INSET INSTALLATION WITH CONVECTION MICROWAVE AND WARMING DRAWER

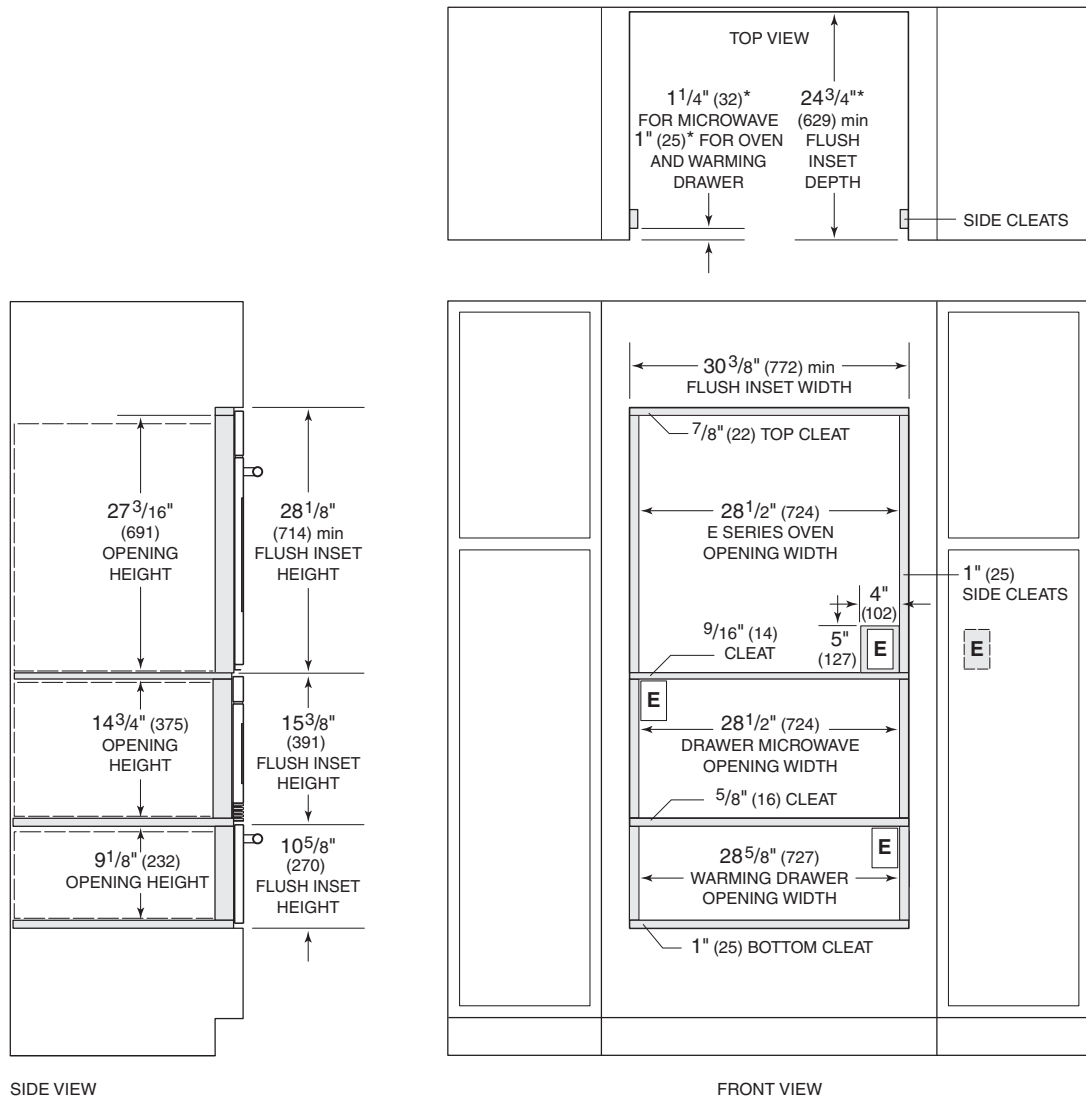


*For black glass model, increase dimension by $\frac{1}{4}''$ (6).

NOTES: Minimum base support for oven 250 lbs (113 kg).
 Location of electrical supply within oven opening may require additional cabinet depth.
 Cleats may be visible and should be finished to match cabinetry.
 Dashed line represents profile of unit.

E Series Single Oven

FLUSH INSET INSTALLATION WITH DRAWER MICROWAVE AND WARMING DRAWER



*For black glass model, increase dimension by 1/4" (6).

NOTES: Minimum base support for oven 250 lbs (113 kg).

Location of electrical supply within oven opening may require additional cabinet depth.

Cleats may be visible and should be finished to match cabinetry.

Dashed line represents profile of unit.

Install the Oven

IMPORTANT NOTE: Before moving the oven, protect any finished flooring to avoid damage to the floor.

Move the oven into position near the installation opening. Remove and discard packing materials. Remove the box containing oven components found in each oven cavity.

⚠ CAUTION

The oven is very heavy—use caution when lifting. Do not lift the oven by the door handle. This will damage the oven door and hinges.

OVEN DOOR REMOVAL

To reduce the weight of the oven and ease installation, oven door(s) may be removed.

To remove, open oven door all the way. Flip down the hinge latch on each side, then close the door. While holding the door on each side, lift up. Continue to push the door closed and pull it away from the oven frame.

To reinstall, insert both hanger arms into the oven frame openings. Open the door. You should hear a click as the door is set into place. Move the hinge levers back to the locked position. Check that the door is free to open and close. If not, repeat the process.

ELECTRICAL CONNECTIONS

⚠ WARNING

Verify that power is disconnected from the electrical box before proceeding.

With the oven positioned directly in front of the installation opening, feed the conduit through the opening in the cabinet platform (if applicable). Depending on local codes, connect the oven to the electrical supply following these steps for a three-wire or four-wire system:

- 1) Connect the appliance black wire to the black (L1) power supply wire in the electrical box.
- 2) Connect the appliance red wire to the red (L2) power supply wire in the electrical box.
- 3) Connect the appliance bare ground wire to the green/bare ground house wire in the electrical box.
- 4) For a four-wire system only, leave the white neutral wire in the house electrical box floating (not connected to anything) but sealed off with a wire cap.

Install the Oven

POSITION THE OVEN

Carefully lift the oven up to the opening. Resting the oven on the cabinet base support, slide the oven into the opening until it is approximately 6" (152) from being fully installed. Make sure the conduit slides through the opening of the base support as the oven is moved into place.

IMPORTANT NOTE: The conduit must fit into the recessed area along the right rear edge of the oven. Make sure it is not trapped between the oven and cabinet wall.

IMPORTANT NOTE: To avoid interference, a 90° door stop may be required for any appliance or cabinet door installed next to an E series oven with tubular handle.

⚠ CAUTION

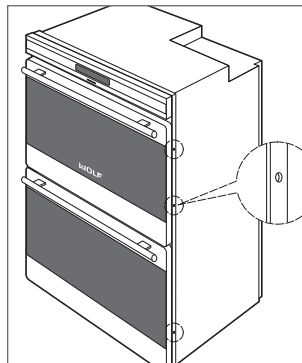
Do not block the exhaust vent located at the bottom of the oven. It must remain clear for proper ventilation.

MOUNT OVEN TO CABINETRY

Once the oven is fully inserted into the opening, locate the mounting holes on the oven side trim. There are four mounting holes for a single oven and six for a double oven. Refer to the illustration below. Use a 1/16" drill bit to drill pilot holes into the cabinet. Using the wood screws provided, secure the oven to the cabinet.

⚠ WARNING

Failure to install the mounting screws may cause the oven to tip forward during use.



Location of mounting holes.

Verify Oven Operation

Unpack the box containing the oven components found in each oven cavity. Install the oven rack guides onto the shoulder screws located on the interior side walls of the oven. Slide the oven racks onto the rack guides and place the broiler pan in the oven.

Before operating the oven, be sure to read the entire use & care guide included with the oven for important safety, operating and warranty information.

Turn on the electrical supply to the oven. Set the time of day by pressing the CLOCK touch pad, input the time by using the number pads, then touch ENTER.

Select any of the ten cooking modes on the control panel. Verify that the oven is coming up to temperature. For the double oven, be sure to verify operation of both ovens.

IMPORTANT NOTE: A small amount of smoke and odor may be noticed during the initial break-in period. Refer to the E series built-in ovens use & care guide for additional information.

Troubleshooting

IMPORTANT NOTE: If the E series oven does not operate properly, follow these troubleshooting steps:

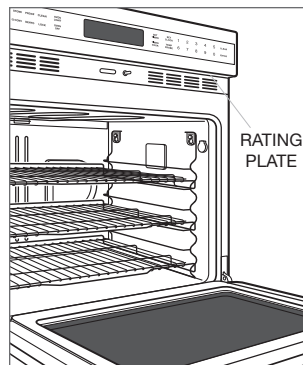
- Verify that electrical power is being supplied to the oven.
- Check the electrical connections to ensure that the installation has been completed correctly.
- Refer to the troubleshooting guide in the E series built-in ovens use & care guide.
- If the oven still does not operate properly, contact Wolf factory certified service. Do not attempt to repair the oven yourself. Wolf is not responsible for service required to correct a faulty installation.

Service Information

If service is necessary, maintain the quality built into your E series oven by contacting Wolf factory certified service.

For the name and number of Wolf factory certified service nearest you, check the contact & support section of our website, wolfappliance.com or call Wolf customer care at 800-222-7820.

When calling for service, you will need the model and serial numbers of the E series oven. Both numbers are listed on the product rating plate located below the control panel. The oven door must be open to view the rating plate. Refer to the illustration below.



Location of rating plate.



The information and images in this guide are the copyright property of Wolf Appliance, Inc. Neither this guide nor any information or images contained herein may be copied or used in whole or in part without the express written permission of Wolf Appliance, Inc. ©Wolf Appliance, Inc. all rights reserved.

Wolf, Wolf & Design, Wolf Gourmet, W & Design and the color red as applied to knobs are registered trademarks and service marks of Wolf Appliance, Inc. Sub-Zero, Sub-Zero & Design, Dual Refrigeration, Constant Care and The Living Kitchen are registered trademarks and service marks of Sub-Zero, Inc. (collectively, the "Company Marks.") All other trademarks or registered trademarks are property of their respective owners in the United States and other countries.



WOLF APPLIANCE, INC. P. O. BOX 44848 MADISON, WI 53744 WOLFAPPLIANCE.COM 800.222.7820

819066 REV-A

9/2011

