

INSTALLATION GUIDE

Induction and Electric Cooktops



Contents

Wolf Induction and Electric Cooktops	3
Cooktop Specifications	4
Cooktop Installation	14
Service Information	18

Features and specifications are subject to change at any time without notice. Visit wolfappliance.com/specs for the most up-to-date information.

IMPORTANT NOTE: Throughout this guide, dimensions in parentheses are millimeters unless otherwise specified.

Important Note

To ensure the safe and efficient use of Wolf equipment, please take note of the following types of highlighted information throughout this guide:

IMPORTANT NOTE highlights information that is especially important.

CAUTION signals a situation where minor injury or product damage may occur if instructions are not followed.

WARNING states a hazard that may cause serious injury or death if precautions are not followed.



Induction and Electric Cooktops

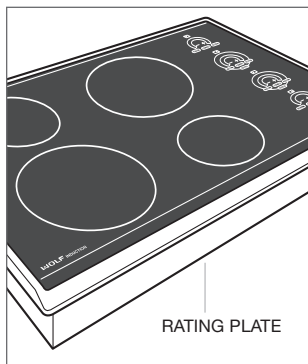
IMPORTANT NOTE: This installation must be completed by a qualified installer or Wolf factory certified service.

Read this entire installation guide prior to installation and save for the local inspector's reference. The homeowner should keep this installation guide for future reference.

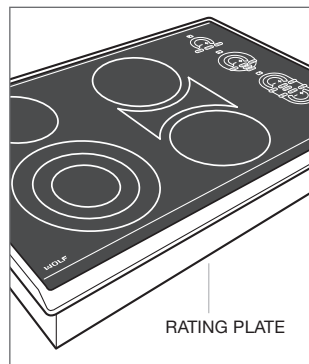
This appliance must be installed in accordance with National Electrical Codes, as well as all state, municipal and local codes. The correct voltage, frequency and amperage must be supplied to the appliance from a dedicated, grounded circuit which is protected by a properly sized circuit breaker or time delay fuse. The proper voltage, frequency and amperage ratings are listed on the product rating plate.

Record the model and serial numbers before installing the cooktop. Both numbers are listed on the product rating plate, located on the underside of the cooktop. Refer to the illustrations below for location of the rating plate.

Wolf Induction or Electric Cooktop
Model Number
Serial Number



Induction cooktop.

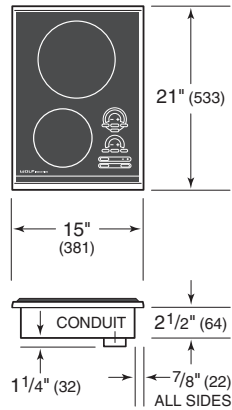


Electric cooktop.

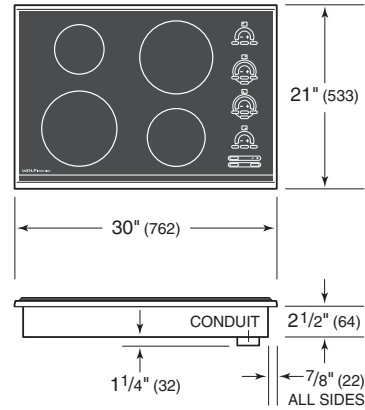
Induction Cooktops

OVERALL DIMENSIONS

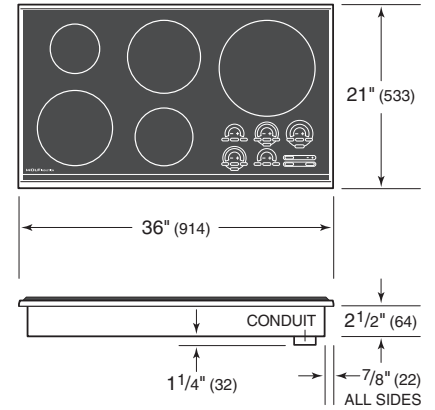
15" (381) FRAMED



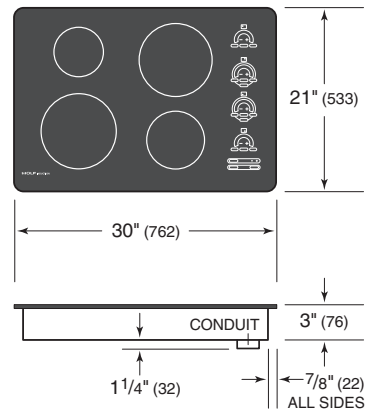
30" (762) FRAMED



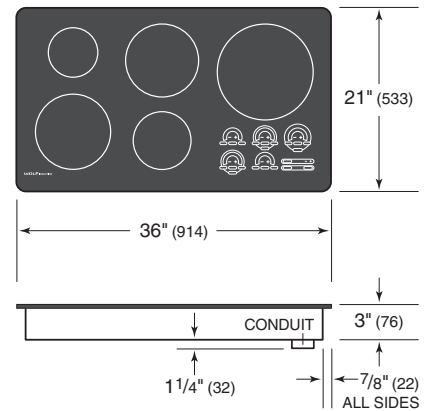
36" (914) FRAMED



30" (762) UNFRAMED



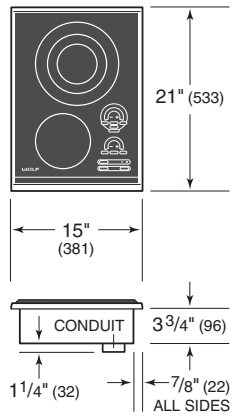
36" (914) UNFRAMED



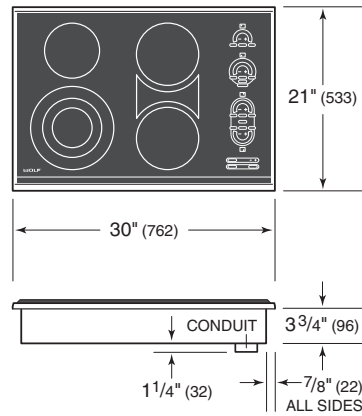
Electric Cooktops

OVERALL DIMENSIONS

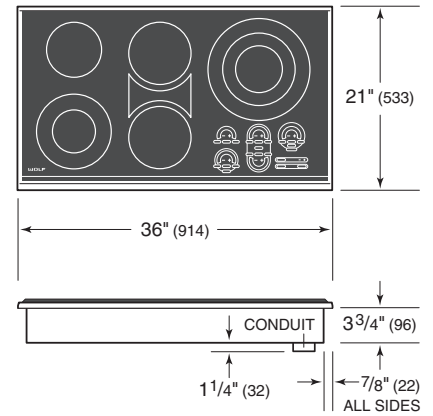
15" (381) FRAMED



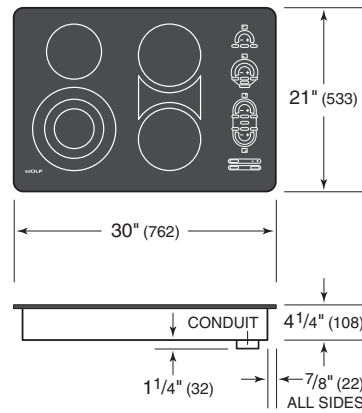
30" (762) FRAMED



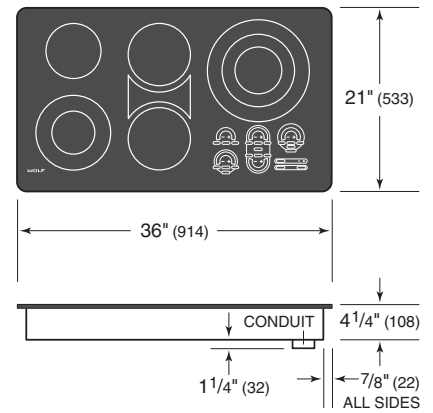
36" (914) FRAMED



30" (762) UNFRAMED



36" (914) UNFRAMED



Electrical Requirements

Wolf induction and electric cooktops have a 4' (1.2 m) flexible conduit and require a separate, grounded 3-wire electrical supply with its own circuit breaker. Locate the electrical supply within the shaded area shown in the installation illustration for your specific model on the following pages.

IMPORTANT NOTE: You must follow all National Electrical Code regulations. In addition, be aware of local codes and ordinances when installing your service.

IMPORTANT NOTE: Except for model CT30E-208/S, performance may be compromised if the electrical supply is less than 240 volts.

Induction Cooktops

CT15I/S	
Power Supply	240/208 V AC, 60 Hz
Service	20 amp
Max Connected Load	3.6 kW at 240 / 3.1 kW at 208
CT30I/S AND CT30IU	
Power Supply	240/208 V AC, 60 Hz
Service	40 amp
Max Connected Load	7.2 kW at 240 / 6.3 kW at 208
CT36I/S AND CT36IU	
Power Supply	240/208 V AC, 60 Hz
Service	50 amp
Max Connected Load	11.2 kW at 240 / 9.7 kW at 208

Electric Cooktops

CT15E/S	
Power Supply	240/208 V AC, 60 Hz
Service	20 amp
Max Connected Load	3.7 kW at 240 / 2.8 kW at 208
CT30E-208/S	
Power Supply	208 V AC, 60 Hz
Service	40 amp
Max Connected Load	7.9 kW
CT30E/S AND CT30EU	
Power Supply	240/208 V AC, 60 Hz
Service	40 amp
Max Connected Load	8.1 kW at 240 / 6.1 kW at 208
CT36E/S AND CT36EU	
Power Supply	240/208 V AC, 60 Hz
Service	50 amp
Max Connected Load	10.5 kW at 240 / 7.9 kW at 208

Electrical Requirements

IMPORTANT NOTE: For electrical installation, attach the conductors to the residence wiring in accordance with National Electrical Codes and all state, provincial, municipal and local codes.

This appliance must be installed in accordance with National Electrical Codes, as well as all state, municipal and local codes. The correct voltage, frequency and amperage must be supplied to the appliance from a dedicated, grounded circuit which is protected by a properly sized circuit breaker or time delay fuse. The proper voltage, frequency and power ratings are listed on the product rating plate, located on the underside of the cooktop. Refer to the illustrations on page 3 for location of the rating plate.

▲ WARNING

The complete appliance must be properly grounded at all times when electrical power is applied.

Do not ground appliance with the neutral (white) house supply wire. A separate ground wire must be utilized.

If aluminum house supply wiring is utilized, splice the appliance copper wire to the aluminum house wiring using special connectors design and agency certified for joining copper and aluminum. Follow the connector manufacturer's recommended procedure carefully. Improper connection can result in a fire hazard.

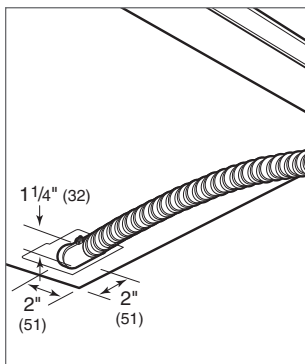
Installation Requirements

IMPORTANT NOTE: Installation of the induction or electric cooktop must meet location requirements shown in the installation illustration for your specific model on the following pages. All dimensions listed are minimum requirements for safe operation.

Wolf induction and electric cooktops are intended for indoor use. For ease of installation, Wolf recommends using 33" (838) wide cabinets with 30" (762) cooktops and 39" (991) cabinets with 36" (914) cooktops. They are designed to fit a standard 24" (610) deep base cabinet with a 25" (635) deep countertop. Before making the countertop cut-out, verify that the cooktop will clear the side walls of the base cabinet.

A minimum height clearance of 6¹/₄" (159) is required from the top of the countertop to any combustible surface directly below the cooktop. For induction cooktops, if a shelf is installed below the unit, a 1" (25) gap at the rear of the shelf is necessary to allow for proper ventilation.

Clearance is required for the conduit located at the right rear of induction and electric cooktops. Refer to the illustration below for dimensions.



Conduit dimensions.

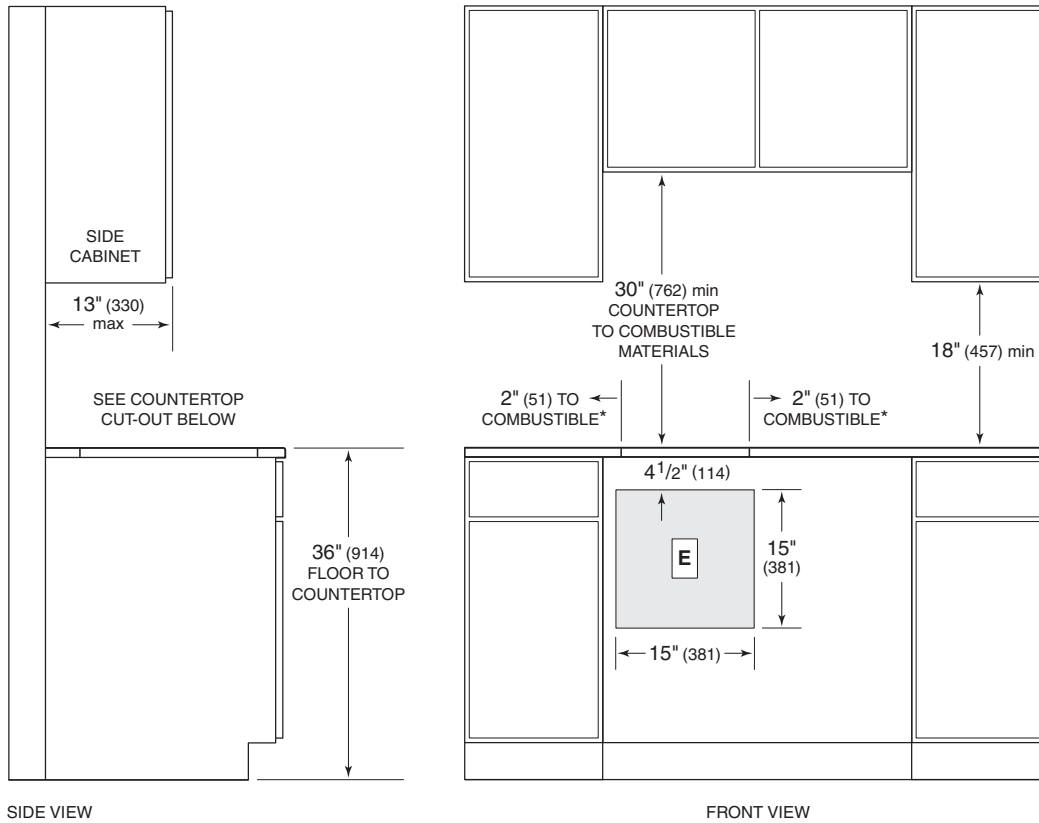
⚠ WARNING

Failure to locate the cooktop without proper clearances will result in a fire hazard.

It is recommended that you use a Wolf cooktop ventilation hood, pro hood or hood liner with induction and electric cooktops. Framed cooktops can accommodate a Wolf downdraft ventilation system. Refer to the Wolf design guide.

15" (381) Framed Induction and Electric Cooktops

STANDARD INSTALLATION

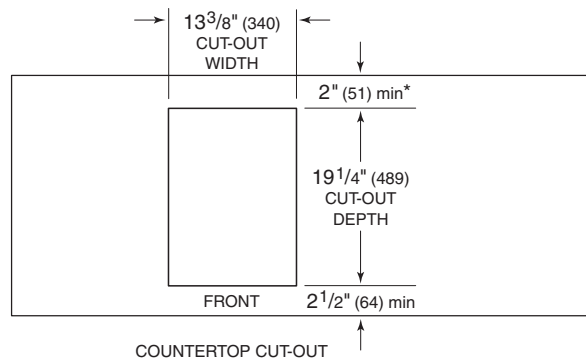


SIDE VIEW

FRONT VIEW

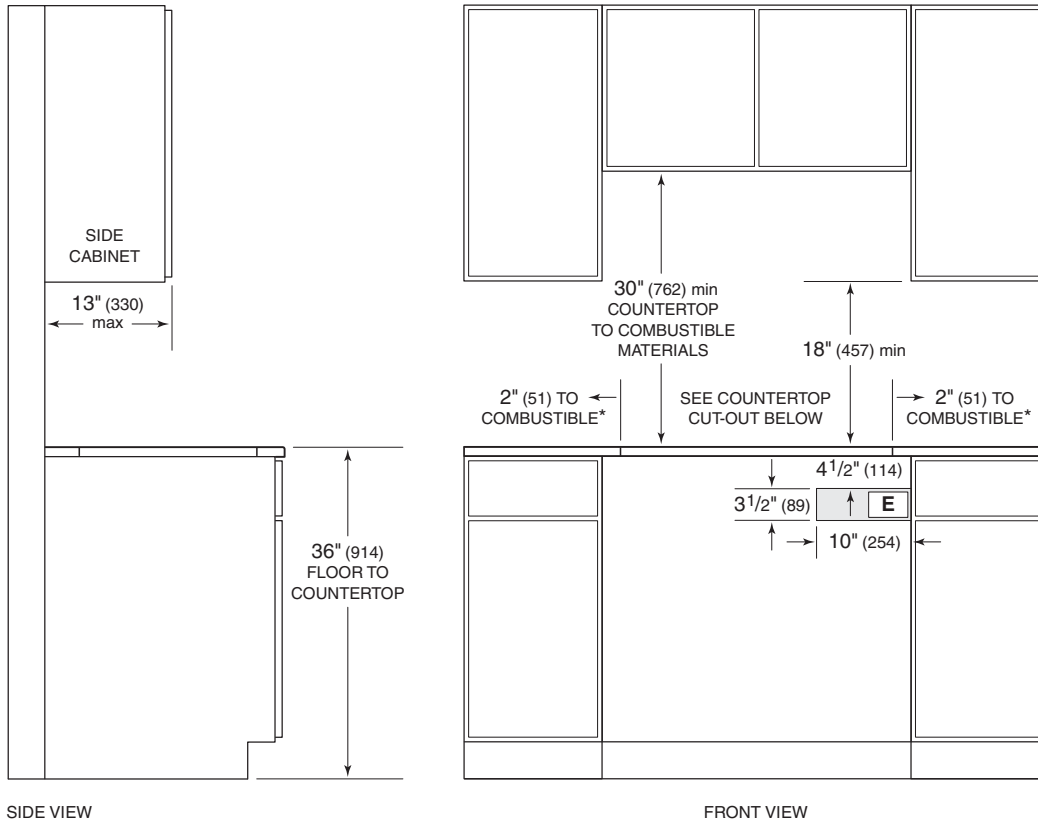
*Minimum clearance from cooktop cut-out to combustible materials up to 18" (457) above countertop.

NOTE: Application shown allows for installation of two 15" (381) modules side by side.



30" (762) Framed Induction and Electric Cooktops

STANDARD INSTALLATION

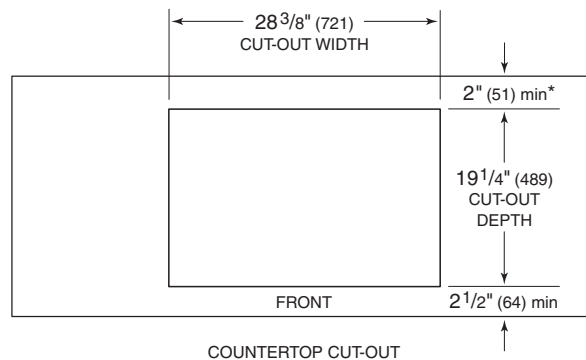


SIDE VIEW

FRONT VIEW

*Minimum clearance from cooktop cut-out to combustible materials up to 18" (457) above countertop.

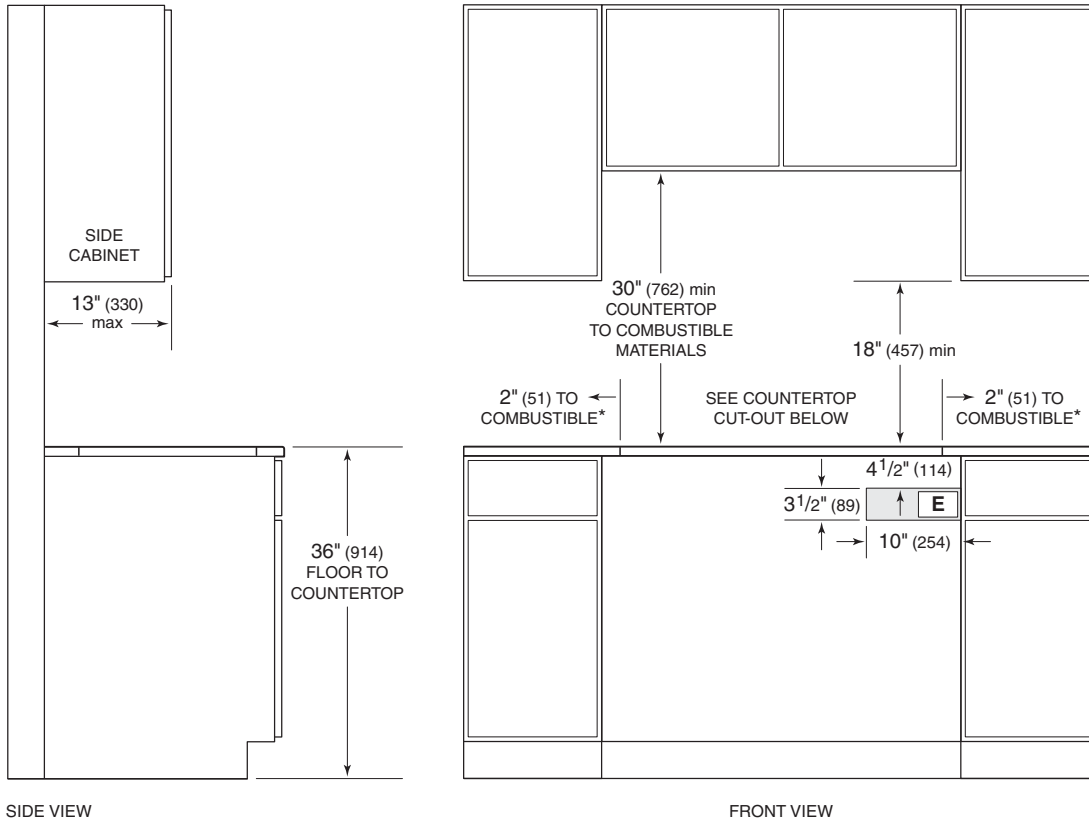
NOTE: Electrical location applies only to installation with built-in oven.



COUNTERTOP CUT-OUT

36" (914) Framed Induction and Electric Cooktops

STANDARD INSTALLATION

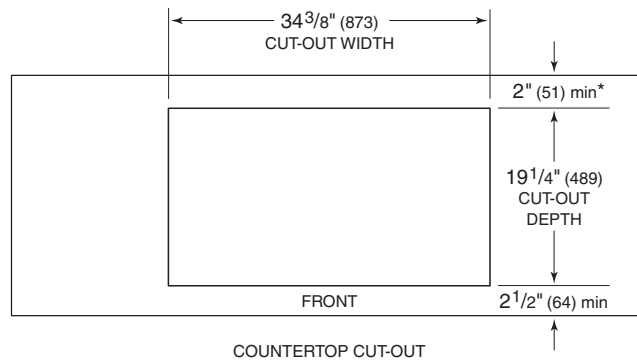


SIDE VIEW

FRONT VIEW

*Minimum clearance from cooktop cut-out to combustible materials up to 18" (457) above countertop.

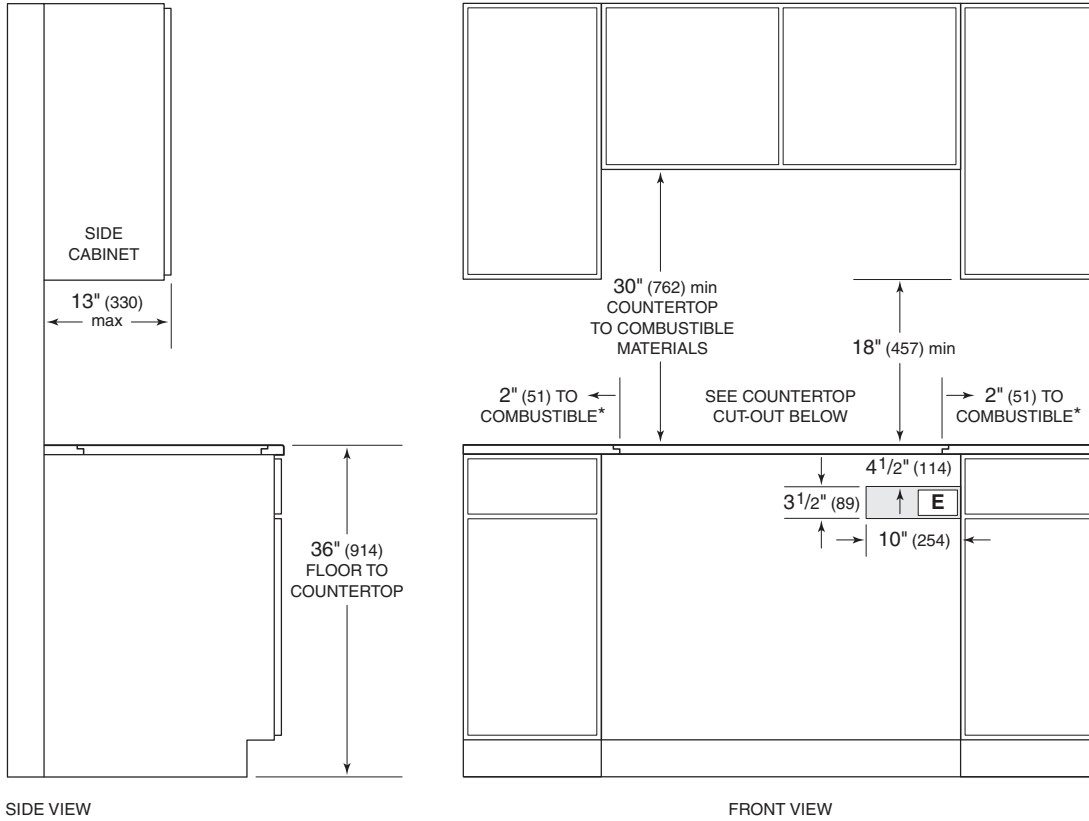
NOTE: Electrical location applies only to installation with built-in oven.



COUNTERTOP CUT-OUT

36" (914) Unframed Induction and Electric Cooktops

FLUSH MOUNT INSTALLATION

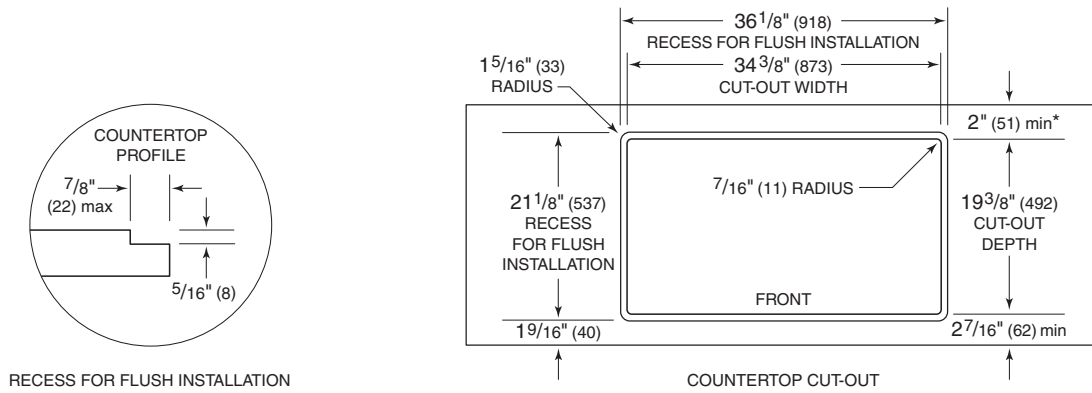


SIDE VIEW

FRONT VIEW

*Minimum clearance from cooktop cut-out to combustible materials up to 18" (457) above countertop.

NOTE: Electrical location applies only to installation with built-in oven.



RECESS FOR FLUSH INSTALLATION

COUNTERTOP CUT-OUT

Multiple Cooktop Installation

IMPORTANT NOTE: Unframed induction and electric cooktops are not designed to be installed in combination with other cooktops.

If the framed induction or electric cooktop is to be used with any combination of additional cooktops or modules with a filler strip, the dimensions provided in the chart below are derived by adding 1¹/₄" (32) additional space for each additional unit, to give you the total countertop cut-out width. Dimensions include the filler strip.

IMPORTANT NOTE: For models CT15I/S and CT15E/S, the cut-out width should be increased from 13³/₈" (340) to 14" (356) when installed with multiple cooktops.

When multiple cooktops are installed side by side, each unit must have its own separate recommended electrical circuit.

When two or more modules are installed together, an integrated module filler strip is recommended. If a 30" (762) downdraft ventilation system is also installed, an integrated module support for downdraft ventilation is also required.

The filler strip and other accessories are available through your authorized Wolf dealer. For local dealer information, visit the find a showroom section of our website, wolfappliance.com.

Multiple Cooktops	
COUNTERTOP CUT-OUT	WIDTH
2 Modules	29 ¹ / ₄ " (743)
3 Modules	44 ¹ / ₂ " (1130)
4 Modules	59 ³ / ₄ " (1518)
30" (762) Cooktop / Module	44 ¹ / ₄ " (1124)
30" (762) Cooktop / 2 Modules	59 ¹ / ₂ " (1511)
36" (914) Cooktop / Module	50 ¹ / ₄ " (1276)

Unframed Installations

Unframed induction and electric cooktops can be mounted flush with the top of the countertop or as a frameless installation with the glass-ceramic top mounted on top of the countertop surface. In either installation the countertop cut-out dimensions are the same. If the cooktop is to be mounted flush with the countertop, a recessed area surrounding the countertop cut-out must be provided. Refer to the installation illustrations on pages 12–13.

IMPORTANT NOTE: An installation kit and additional instructions required for a flush mount installation are provided with the unframed cooktop. The template provided with the unframed cooktop is for reference only. Use the actual cooktop for marking the cut-out.

⚠ CAUTION

Flush mount installations are intended for granite, solid surface or stone countertop surfaces only. Contact with hot cookware may cause damage to countertop surfaces that are not resistant to high heat.

Unframed Installations

FLUSH MOUNT INSTALLATION—OPTION 1

For this flush mount installation, a recessed area surrounding the standard countertop cut-out is required. Fabrication of the recessed area must take place before the final countertop installation. A template of the countertop cut-out is provided with the unframed cooktop for fabrication purposes.

IMPORTANT NOTE: This option is not recommended for molded backsplash style countertops.

In order to rout the required recessed area for this flush mount installation, a second template must be made from $\frac{1}{2}$ " (13) plywood. The template will be used as a guide for a top-bearing router bit.

Make the wood template wide enough so that clamps used to hold the template to the countertop do not interfere with the router base. The cut-out dimension of the wood template should match the outer perimeter of the template supplied with the cooktop.

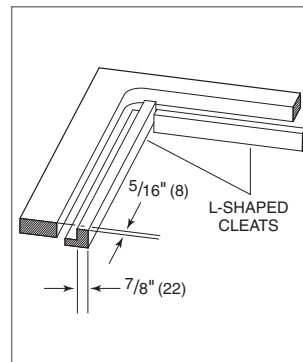
Center the wood template over the existing cut-out in the countertop and clamp. Use double-sided tape to adhere the template to the countertop to keep the template from shifting during routing. Make sure that the adhesive can be easily removed by testing it on a scrap piece of the countertop. Using a top-bearing router bit with the wood template as a guide, rout out a $\frac{5}{16}$ " (8) deep recessed area in the countertop cut-out.

FLUSH MOUNT INSTALLATION—OPTION 2

For this flush mount installation, the countertop cut-out will be the same size as the outer edge of the glass-ceramic top. It is recommended that unframed cooktop itself be used as the template for the cut-out. Turn the cooktop over and mark the opening using the glass-ceramic top as a template.

It will be necessary to attach L-shaped cleats to the inner perimeter of the countertop cut-out to support the unframed cooktop. The top edge of the cleat can be no wider than $\frac{7}{8}$ " (22) and will be attached $\frac{5}{16}$ " (8) below the surface of the countertop. Refer to the illustration below. Attach the cleats wherever enough countertop material is present.

For additional support in the cut-out area, adhere scrap countertop material to the bottom side of the countertop. Consult your countertop supplier for the proper methods of attachment.



Support cleats.

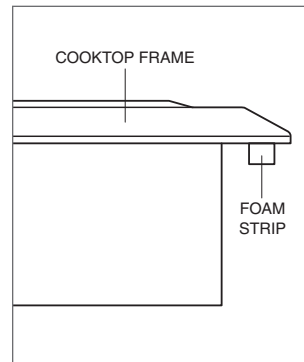
Install the Cooktop

Attach the foam strip to the underside of the cooktop frame. Refer to the illustration. For unframed cooktops, be sure to adhere the foam strip to the outer edge of the glass-ceramic top, not the support frame.

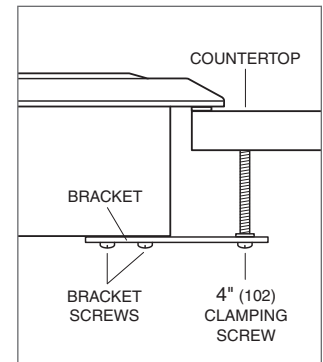
Gently lower the cooktop into the cut-out area in the countertop and center. Check that the front edge of the cooktop is parallel to the front edge of the countertop. Check that all required clearances are met.

Attach the brackets to the bottom of the cooktop, as shown in the illustration. Install clamping screws into the brackets and tighten until the screws contact the underside of the countertop. Do not overtighten screws.

IMPORTANT NOTE: Do not seal the cooktop to the countertop. It must be removed if service is necessary.



Foam strip.



Installation brackets.

Verify Cooktop Operation

Before operating the induction or electric cooktop, be sure to read the entire use & care guide included with the cooktop for important safety, operating and warranty information.

Clean the glass-ceramic surface as recommended in the induction or electric cooktops use & care guide. The cooktop surface must be free of any foreign substances, especially those that could melt and permanently adhere to the glass-ceramic.

Turn on the electrical supply to the cooktop. Check operation of the controls and verify that each of the elements is coming up to temperature.

IMPORTANT NOTE: A small amount of smoke and odor may be noticed during the initial break-in period.

WARNING

Do not operate the cooktop if the glass-ceramic surface is broken. Contact Wolf factory certified service.

Cooktop Removal

IMPORTANT NOTE: Cooktop removal should only be done by Wolf factory certified service.

If it is necessary to remove the cooktop for cleaning or service, disconnect the electrical supply. Remove the mounting brackets and remove the cooktop. Reinstall in the reverse order.

For flush mount installations, use a razor blade to carefully cut around the perimeter seal. A new RTV installation kit will be required to reinstall the cooktop. This kit and other accessories are available through your authorized Wolf dealer. For local dealer information, visit the find a showroom section of our website, wolfappliance.com.

Troubleshooting

IMPORTANT NOTE: If the induction or electric cooktop does not operate properly, follow these troubleshooting steps:

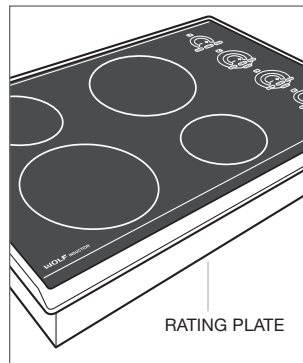
- Verify that electrical power is being supplied to the cooktop.
- Check the electrical connections to ensure that the installation has been completed correctly.
- Refer to the troubleshooting guide in the induction or electric cooktops use & care guide.
- If the cooktop still does not operate properly, contact Wolf factory certified service. Do not attempt to repair the cooktop yourself. Wolf is not responsible for service required to correct a faulty installation.

Service Information

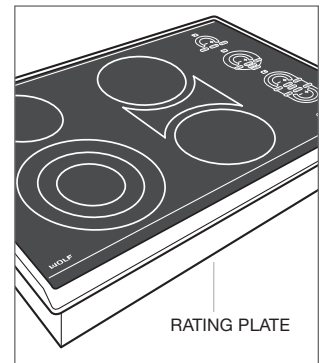
If service is necessary, maintain the quality built into your cooktop by contacting Wolf factory certified service.

For the name and number of Wolf factory certified service nearest you, check the contact & support section of our website, wolfappliance.com or call Wolf customer care at 800-222-7820.

When calling for service, you will need the model and serial numbers of the induction or electric cooktop. Both numbers are listed on the product rating plate, located on the underside of the cooktop. Refer to the illustrations below for location of the rating plate.



Induction cooktop.



Electric cooktop.



The information and images in this guide are the copyright property of Wolf Appliance, Inc. Neither this guide nor any information or images contained herein may be copied or used in whole or in part without the express written permission of Wolf Appliance, Inc. ©Wolf Appliance, Inc. all rights reserved.

Wolf, Wolf & Design, Wolf Gourmet, W & Design and the color red as applied to knobs are registered trademarks and service marks of Wolf Appliance, Inc. Sub-Zero, Sub-Zero & Design, Dual Refrigeration, Constant Care and The Living Kitchen are registered trademarks and service marks of Sub-Zero, Inc. (collectively, the "Company Marks.") All other trademarks or registered trademarks are property of their respective owners in the United States and other countries.



WOLF APPLIANCE, INC. P. O. BOX 44848 MADISON, WI 53744 WOLFAPPLIANCE.COM 800.222.7820

819062 REV-A

10/2011

