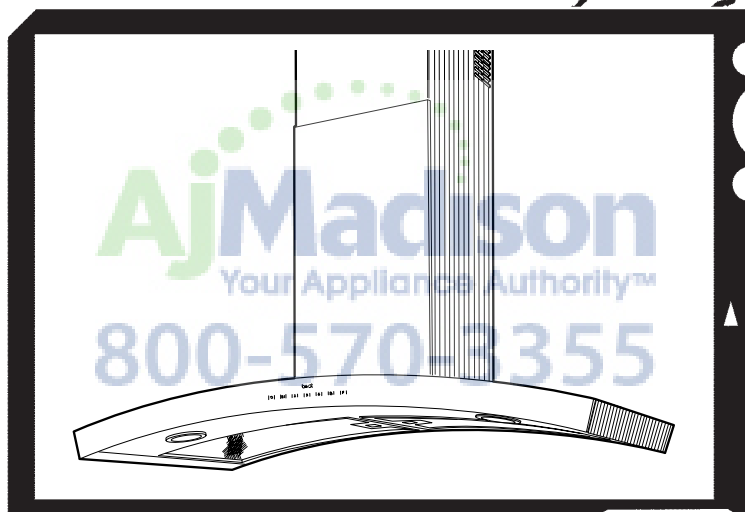


best®



Model WC35I

ENGLISH.....	2
FRANÇAIS.....	17
ESPAÑOL.....	33

In USA - BEST Hartford, Wisconsin

In CANADA - BEST Drummondville, QC, Canada

REGISTER YOUR PRODUCT ONLINE AT : www.BestRangeHoods.com/register
For additional Information visit www.BestRangeHoods.com

READ AND SAVE THESE INSTRUCTIONS

 **INTENDED FOR DOMESTIC COOKING ONLY** 

WARNING

TO REDUCE THE RISK OF FIRE, ELECTRIC SHOCK, OR INJURY TO PERSONS, OBSERVE THE FOLLOWING:

1. Use this unit only in the manner intended by the manufacturer. If you have questions, contact the manufacturer at the address or telephone number listed in the warranty.
2. Before servicing or cleaning unit, switch power off at service panel and lock service panel to prevent power from being switched on accidentally. When the service disconnecting means cannot be locked, securely fasten a prominent warning device, such as a tag, to the service panel.
3. Installation work and electrical wiring must be done by a qualified person(s) in accordance with all applicable codes and standards, including fire-rated construction codes and standards.
4. Sufficient air is needed for proper combustion and exhausting of gases through the flue (chimney) of fuel burning equipment to prevent backdrafting. Follow the heating equipment manufacturer's guidelines and safety standards such as those published by the National Fire Protection Association (NFPA), and the American Society for Heating, Refrigeration and Air Conditioning Engineers (ASHRAE), and the local code authorities.
5. When cutting or drilling into wall or ceiling, do not damage electrical wiring and other hidden utilities.
6. Ducted fans must always be vented to the outdoors.
7. Do not use this unit with any separate solid-state speed control device.
8. To reduce the risk of fire, use only metal ductwork.

GROUNDING INSTRUCTIONS

This appliance must be grounded. In the event of an electrical short circuit, grounding reduces the risk of electrical shock by providing an escape wire for the electric current. This appliance is equipped with a cord having a grounding wire with a grounding plug. The plug must be plugged into an outlet that is properly installed and grounded.

WARNING - Improper grounding can result in a risk of electric shock.

Consult a qualified electrician if the grounding instructions are not completely understood, or if doubt exists as to whether the appliance is properly grounded.

Do not use an extension cord. If the power supply cord is too short, have a qualified electrician install an outlet near the appliance.

WARNING

TO REDUCE THE RISK OF A RANGE TOP GREASE FIRE:

- A. Never leave surface units unattended at high settings. Boilovers cause smoking and greasy spillovers that may ignite. Heat oils slowly on low or medium settings.
- B. Always turn hood ON when cooking at high heat or when flambeing food (i.e. Crepes Suzette, Cherries Jubilee, Peppercorn Beef Flambe’).
- C. Clean ventilating fans frequently. Grease should not be allowed to accumulate on fan or filter.
- D. Use proper pan size. Always use cookware appropriate for the size of the surface element.

TO REDUCE THE RISK OF INJURY TO PERSONS IN THE EVENT OF A RANGE TOP GREASE FIRE, OBSERVE THE FOLLOWING:*

1. SMOTHER FLAMES with a close-fitting lid, cookie sheet, or metal tray, then turn off the burner. BE CAREFUL TO PREVENT BURNS. If the flames do not go out immediately, EVACUATE AND CALL THE FIRE DEPARTMENT.
2. NEVER PICK UP A FLAMING PAN - You may be burned.
3. DO NOT USE WATER, including wet dishcloths or towels - violent steam explosion will result.
4. Use an extinguisher ONLY if:
 - A. You know you have a Class ABC extinguisher and you already know how to operate it.
 - B. The fire is small and contained in the area where it started.
 - C. The fire department is being called.
 - D. You can fight the fire with your back to an exit.

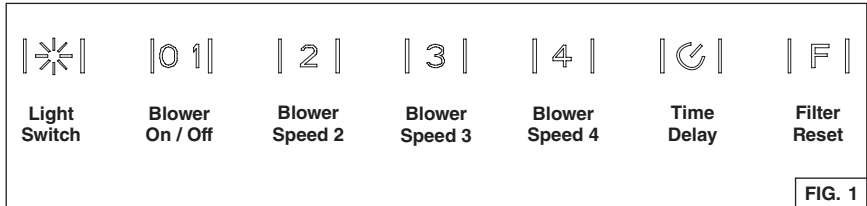
* Based on “Kitchen Fire Safety Tips” published by NFPA.

CAUTION

1. For indoor use only.
2. To reduce risk of fire and to properly exhaust air, be sure to duct air outside. Do not vent exhaust air into spaces within walls or ceilings or into attics, crawl spaces, or garages.
3. Take care when using cleaning agents or detergents.
4. Avoid using food products that produce flames under the Range Hood.
5. For general ventilating use only. Do not use to exhaust hazardous or explosive materials and vapors.
6. To avoid motor bearing damage and noisy and/or unbalanced impellers, keep drywall spray, construction dust, etc. off power unit.
7. Your hood motor has a thermal overload which will automatically shut off the motor if it becomes overheated. The motor will restart when it cools down. If the motor continues to shut off and restart, have the hood serviced.
8. For best capture of cooking impurities, the bottom of the hood should be a minimum of 24” and a maximum of 30” above the cooking surface. See “Install Mounting Bracket” section for mounting restrictions.
9. Two installers are recommended because of the large size and weight of this hood.
10. This product is equipped with a thermostat which may start blower automatically. To reduce the risk of injury and to prevent power from being switched on accidentally, switch power off at service panel and lock or tag service panel.
11. Please read specification label on product for further information and requirements.

OPERATION

Controls (Fig. 1)



Light Switch turns the halogen lights on and off. Push once to turn lights on. Push a second time to increase brightness. Push again to turn lights off.

Blower On / Off switch turns the blower on to low speed. Push a second time to turn blower off.

Blower Speed 2 switch increases blower speed to medium-low speed.

Blower Speed 3 switch increases blower speed to medium-high speed.

Blower Speed 4 switch increases blower speed to high speed.

Time Delay switch activates a delay off feature. Press once to activate the 10-minute delay off for any of the blower speed settings. Press again to deactivate the time delay off.

Filter Reset lights after every 30 hours of operation, indicating a need to clean the filters. After filters are cleaned or replaced, press once to reset the 30-hour timer.

HEAT SENTRY™

Your hood is equipped with a HEAT SENTRY™ thermostat. This thermostat is a device that will turn on or speed up the blower if it senses excessive heat above the cooking surface.

1) If blower is OFF - it turns blower ON to HIGH speed.

2) If blower is ON at a lower speed setting - it turns blower up to HIGH speed.

When the temperature level drops to normal, the blower will return to its original setting.

WARNING

The HEAT SENTRY thermostat can start the blower even if the hood is turned OFF. When this occurs, it is impossible to turn the blower OFF with its switch. If you must stop the blower, do it from the main electrical panel.

HALOGEN BULBS

This range hood requires two halogen bulbs (Type T4, 120Volt, 25Watt Max, G9 Base).

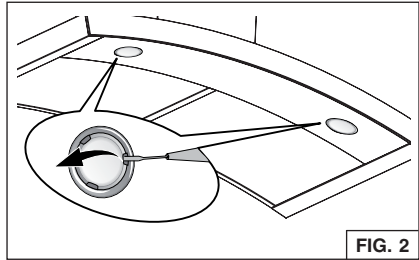
⚠ WARNING: Always switch off the electrical supply before carrying out any operation on the appliance.

To change bulbs:

1. Open the cover by prying from the proper slots. Fig. 2.
2. Remove the bulbs by pulling sideways. (DO NOT ROTATE).

⚠ CAUTION: Bulbs may be hot.

3. Replace with Type T4, 120Volt, 25Watt Max, G9 Base halogen bulbs. Do not touch replacement bulbs with bare hands!



CLEANING AND MAINTENANCE

Proper maintenance of the Range Hood will assure proper performance of the unit.

Motor

The motor is permanently lubricated and never needs oiling. If the motor bearings make excessive or unusual noise, replace the motor with the exact service motor. The impeller should also be replaced.

Grease Filter

The grease filter should be cleaned frequently. Use a warm detergent solution. Grease filter is dishwasher safe.

Clean all-metal filters in the dishwasher using a non-phosphate detergent. Discoloration of the filter may occur if using phosphate detergents, or as a result of local water conditions - but this will not affect filter performance. This discoloration is not covered by the warranty.

See "INSTALL FILTERS" section for removal and installation instructions.

Non-ducted Recirculation Filter

The non-ducted recirculation filter should be changed every 6 months. Replace more often if your cooking style generates extra grease, such as frying and wok cooking. See "INSTALL FILTERS" section for removal and installation instructions.

Stainless Steel Cleaning

DO:

- Regularly wash with clean cloth or rag soaked with warm water and mild soap or liquid dish detergent.
- Always clean in the direction of original polish lines.
- Always rinse well with clear water (2 or 3 times) after cleaning. Wipe dry completely.
- You may also use a specialized household stainless steel cleaner.

DON'T:

- Use any steel or stainless steel wool or any other scrapers to remove stubborn dirt.
- Use any harsh or abrasive cleansers.
- Allow dirt to accumulate.
- Let plaster dust or any other construction residues reach the hood. During construction/renovation, cover the range hood to make sure no dust sticks to the stainless steel surface.

Avoid: When choosing a detergent

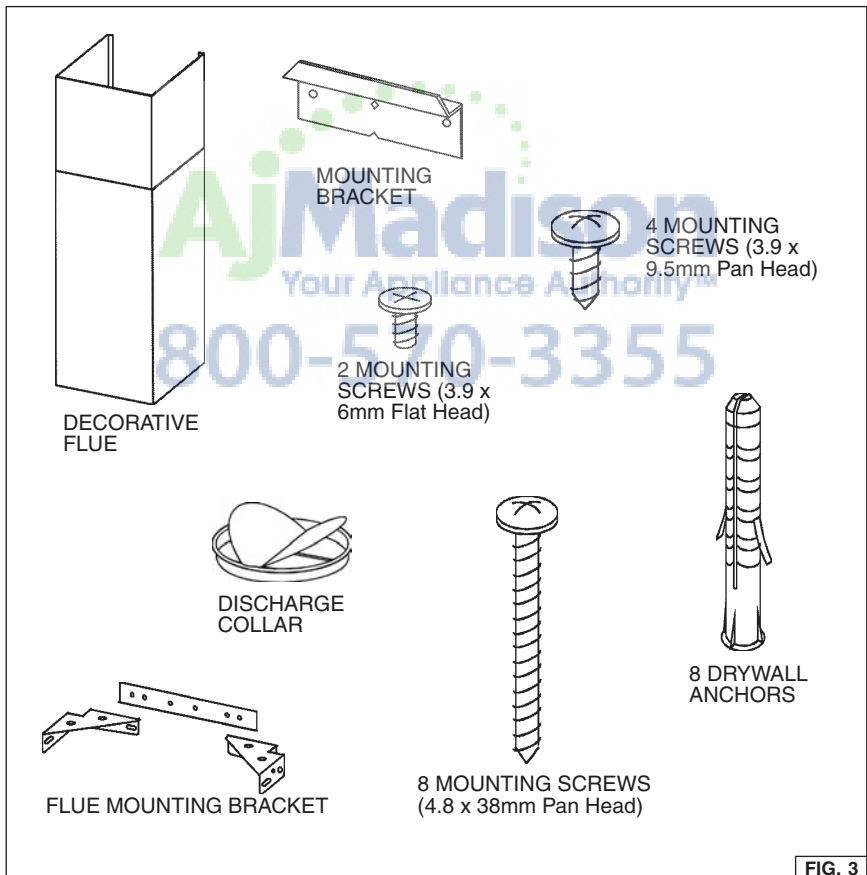
- Any cleaners that contain bleach will attack stainless steel
- Any products containing: chloride, fluoride, iodide, bromide will deteriorate surfaces rapidly.
- Any combustible products used for cleaning such as acetone, alcohol, ether, benzol, etc., are highly explosive and should never be used close to a range.

PREPARE THE HOOD

Unpack hood and check contents.

You should receive:

- 1 - Hood
- 1 - Decorative Flue Assembly
- 1 - Parts Bag containing:
 - 1 - Mounting Bracket
 - 1 - Discharge Collar
 - 1 - Flue Mounting Bracket
 - 8 - Mounting Screws (4.8 x 38mm Pan Head)
 - 4 - Mounting Screws (3.9 x 9.5mm Pan Head)
 - 2 - Mounting Screws (3.9 x 6mm Flat Head)
 - 8 - Drywall Anchors
- 1 - Installation Instructions

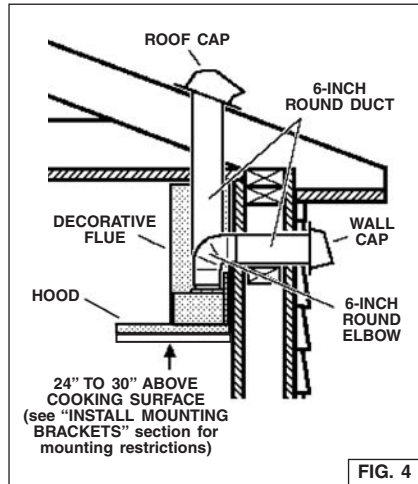


INSTALL THE DUCTWORK

DUCTED HOODS ONLY

CAUTION: To reduce the risk of fire, use only metal ductwork.

1. Decide where the ductwork will run between the hood and the outside. Fig. 4.
2. A straight, short duct run will allow the hood to perform most efficiently.
3. Long duct runs, elbows, and transitions will reduce the performance of the hood. Use as few of them as possible. Larger ducting may be required for best performance with longer duct runs.
4. Install a roof or wall cap. Connect round metal ductwork to cap and work back towards hood location. Use duct tape to seal the joints between ductwork sections.

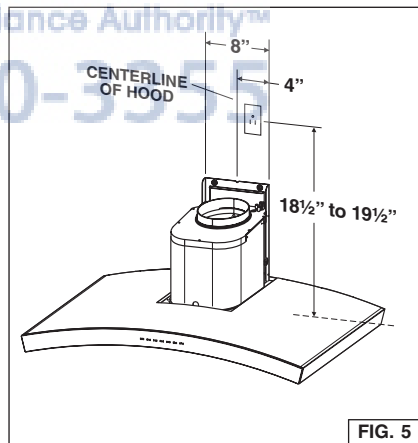


INSTALL ELECTRICAL

DUCTED and NON-DUCTED HOODS

⚠ WARNING : Electrical wiring must be done by a qualified person(s) in accordance with all applicable codes and standards. This range hood must be properly grounded. Turn off electrical power at service entrance before wiring.

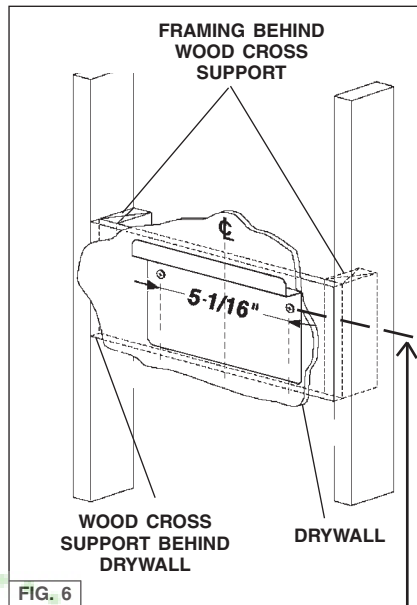
1. Plan where the hood will be located above the cook top. Refer to the "INSTALL MOUNTING BRACKET" section for hood mounting height options.
2. Install a standard 2" x 4" wall outlet box and 3-blade 125 volt, 15 Amp grounded receptacle. Fig. 5.
3. Mount the center of the wall outlet 18½" to 19½" above the bottom of the hood.
4. Locate the box and the receptacle within boundary shown and off center of the ductwork (to allow for power cord plug and flue clearance).



INSTALL MOUNTING BRACKET

DUCTED and NON-DUCTED HOODS

- Construct wood wall **framing** that is **flush** with interior surface of wall studs. Fig. 6. Make sure:
 - the framing is centered over installation location.
 - the height of the framing will allow the **mounting bracket** to be secured to the framing within the dimensions shown.
- After wall surface is finished**, secure the mounting bracket to framing with (2) 4.8 x 38 mm mounting screws. See chart below for mounting bracket location.



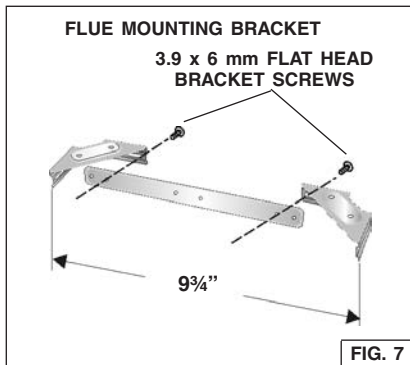
CEILING HEIGHT	DUCT METHOD	HOOD DISTANCE ABOVE 36" HIGH COOK TOP (see note below)						
		24"	25"	26"	27"	28"	29"	30"
		MOUNTING BRACKET LOCATION ABOVE 36" HIGH COOK TOP						
8 FEET	DUCTED	38-3/8"	39-3/8"	40-3/8"	41-3/8"	42-3/8"	43-3/8"	44-3/8"
	NON-DUCTED	38-3/8"	39-3/8"	40-3/8"	41-3/8"			
9 FEET	DUCTED OR NON-DUCTED	38-3/8"	39-3/8"	40-3/8"	41-3/8"	42-3/8"	43-3/8"	44-3/8"

Note : Minimum hood distance above cook top must not be less than 24". A maximum of 30" above cook top is highly recommended for best capture of cooking impurities. Distances over 30" are at the installer and user's discretion; and if ceiling height and flue length permit.

INSTALL FLUE MOUNTING BRACKET

DUCTED AND NON-DUCTED HOODS

1. Assemble the flue mounting bracket, adjusting outside width as shown. Fig. 7.
2. **Carefully** center the mounting bracket directly over the range hood location.
3. Secure the bracket assembly to the ceiling using (2) 4.8 x 38 mm mounting screws and drywall anchors. Fig. 8. Make sure the bracket is pushed into the corner, tight against the wall and centered over the hood.

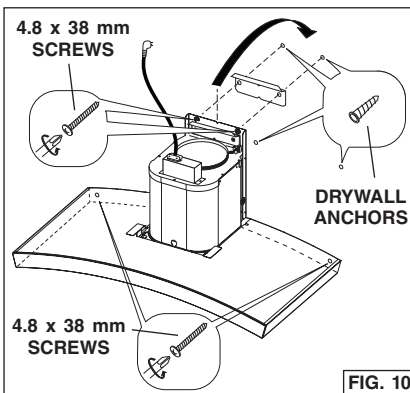
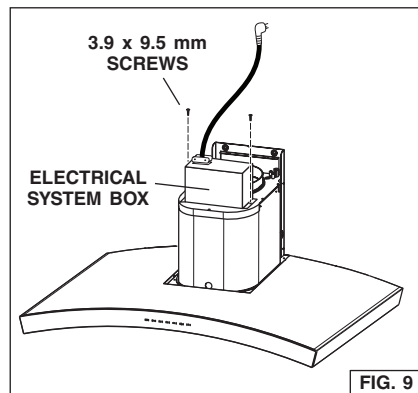
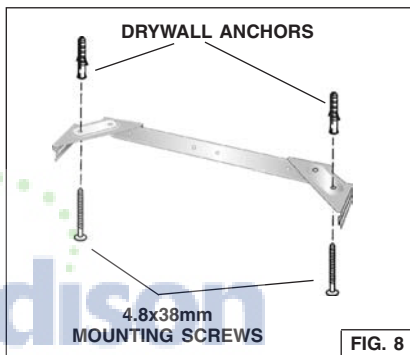


INSTALL THE HOOD

Note: Remove the plastic protective film from all exterior surfaces, decorative flues and filters, prior to final installation.

DUCTED and NON-DUCTED INSTALLATION

1. Remove the tape on the electrical system box and secure with (2) 3.9 x 9.5 mm screws. Fig. 9.
2. Install hood onto the wall mounting bracket. Make sure hood is level with floor. Fig. 10.
3. Mark and install (4) additional drywall anchors and screws as shown.
4. Secure hood to wall with (4) 4.8 x 38 mm mounting screws.



DUCTED INSTALLATION ONLY

1. Press the damper over the duct connector on the hood and tape joint with aluminum duct tape. Fig. 11.
2. Run 6-inch diameter metal ductwork to the outside location.
3. Install an appropriate wall or roof cap with damper to exhaust the air to the outside.
4. Tape all duct joints with aluminum duct tape.
5. Plug power cord into wall outlet.
6. Install upper and lower decorative flues onto the range hood.
 - Vents are concealed on 8-foot ceilings.
 - Vents are exposed on 9-foot ceilings.
7. Secure upper flue to flue mounting bracket with (2) 3.9 x 6 mm screws.

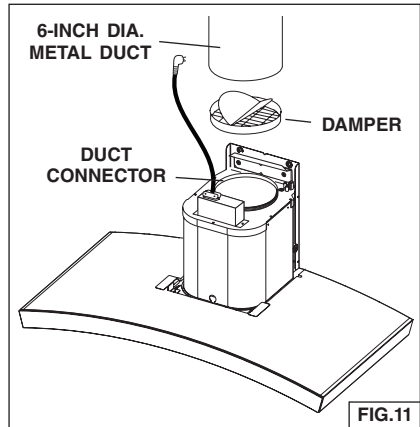


FIG.11

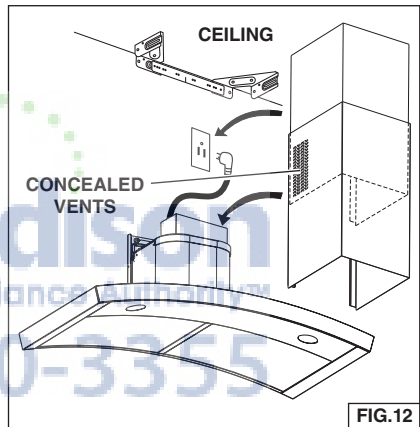


FIG.12

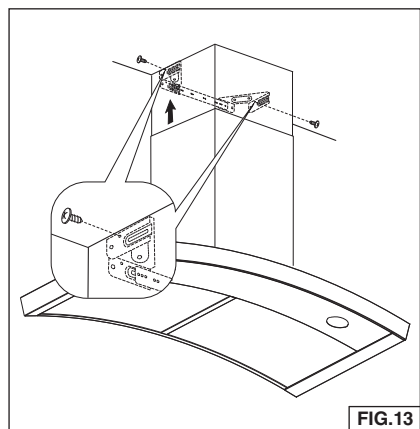
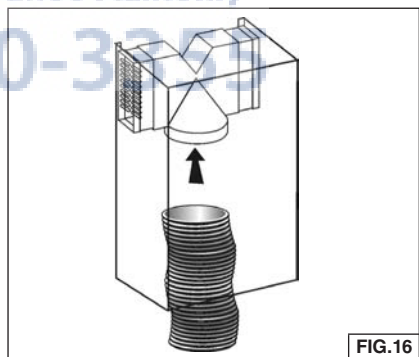
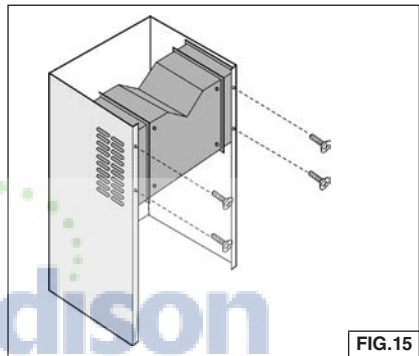
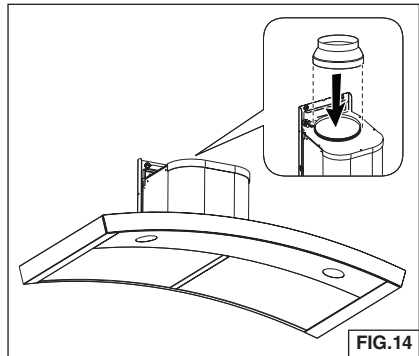


FIG.13

NON-DUCTED INSTALLATION ONLY

Note: Purchase Model ANKWC35 Non-ducted Recirculation Kit.

1. Do not install discharge collar supplied with the range hood.
2. Attach the 5"-to-6" adapter to blower discharge and tape joint with aluminum duct tape. Fig. 14.
3. Install the plenum to the upper decorative flue using (4) 3.4 x 15 mm screws provided as shown. Fig. 15.
4. Attach 5-inch expandable ducting to the plenum and tape joint with aluminum duct tape. Fig. 16.



AjMadison
Your Appliance Authority™
800-570-3355

5. Temporarily secure the upper and lower flue together with duct tape as shown. Fig. 17.
6. Lift the flue into position above the hood. Secure upper flue to the flue mounting bracket with (2) 3.9 x 6 mm screws. Fig. 18.
7. Stretch expandable duct, attach it to the 5"-to-6" adapter and tape duct joints. Fig. 19.
8. Plug power cord into wall outlet.
9. Remove tape from flues and lower into position on the hood. Fig. 20.

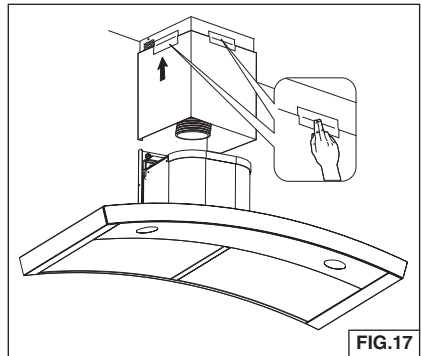


FIG.17

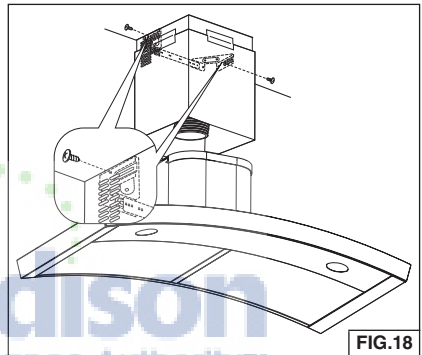


FIG.18

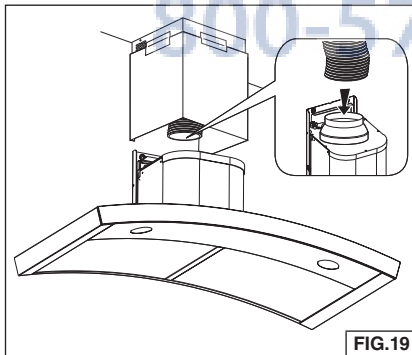


FIG.19

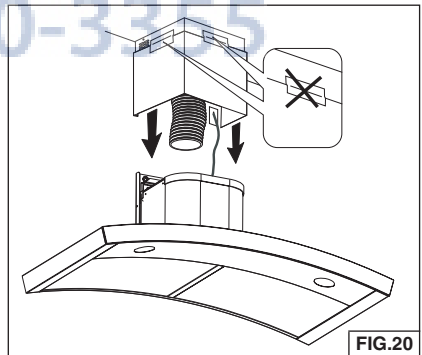


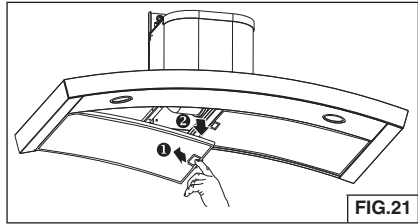
FIG.20


 AjMadison
 Your Appliance Authority™
 800-570-3355

INSTALL FILTERS

DUCTED AND NON-DUCTED HOODS

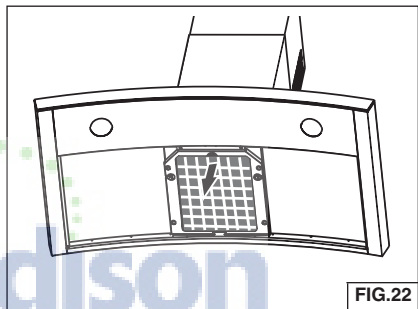
1. To remove the GREASE filter, pull down latch tab to disengage the filter from the hood. Tilt the filter downward and remove. Fig. 21.
2. To install the GREASE filter, align rear filter tabs with slots in the hood. Pull down latch tab, push filter into position and release. Make sure the filter is securely engaged after installation. Fig. 21.



NOTE: Prior to use, remove protective film from the filter frame.

NON-DUCTED HOODS ONLY

1. To remove the CHARCOAL filter, grip and push filter tab toward rear of hood. Pull the filter down to disengage the rear filter tabs. Fig. 22.
2. To install the CHARCOAL filter, align filter in rectangular opening. Push filter against springs in rear of hood and press into place. Make sure the filter is securely engaged after assembly.
3. Install GREASE filter after charcoal filter in installed.



WARRANTY

ONE YEAR LIMITED WARRANTY FOR BEST PRODUCTS

Broan-NuTone LLC (Broan-NuTone) warrants to the original consumer purchaser of Best products that such products will be free from defects in materials or workmanship for a period of one year from the date of original purchase. THERE ARE NO OTHER WARRANTIES, EXPRESS OR IMPLIED, INCLUDING, BUT NOT LIMITED TO, IMPLIED WARRANTIES OR MERCHANTABILITY OR FITNESS FOR A PARTICULAR PURPOSE.

During this one-year period, Broan-NuTone will, at its option, repair or replace, without charge, any product or part which is found to be defective under normal use and service.

THIS WARRANTY DOES NOT EXTEND TO FLUORESCENT LAMP STARTERS, TUBES, HALOGEN AND INCANDESCENT BULBS, FUSE, FILTERS, DUCTS, ROOF CAPS, WALL CAPS AND OTHER ACCESSORIES FOR DUCTING. This warranty does not cover (a) normal maintenance and service or (b) any products or parts which have been subject to misuse, negligence, accident, improper maintenance or repair (other than by Broan-NuTone), faulty installation or installation contrary to recommended installation instructions.

The duration of any implied warranty is limited to the one-year period as specified for the express warranty. Some states do not allow limitation on how long an implied warranty lasts, so the above limitation may not apply to you.

BROAN-NUTONE'S OBLIGATION TO REPAIR OR REPLACE, AT BROAN-NUTONE'S OPTION, SHALL BE THE PURCHASER'S SOLE AND EXCLUSIVE REMEDY UNDER THIS WARRANTY. BROAN-NUTONE SHALL NOT BE LIABLE FOR INCIDENTAL, CONSEQUENTIAL OR SPECIAL DAMAGES ARISING OUT OF OR IN CONNECTION WITH PRODUCT USE OR PERFORMANCE. Some states do not allow the exclusion or limitation of incidental or consequential damages, so the above limitation or exclusion may not apply to you.

This warranty gives you specific legal rights, and you may also have other rights, which vary from state to state. This warranty supersedes all prior warranties.

To qualify for warranty service, you must (a) notify Broan-NuTone at the address stated below or telephone number stated below, (b) give the model number and part identification and (c) describe the nature of any defect in the product or part. At the time of requesting warranty service, you must present evidence of the original purchase date.

In USA - Best®, 926 W. State Street, Hartford, WI 53027 (800-558-1711)

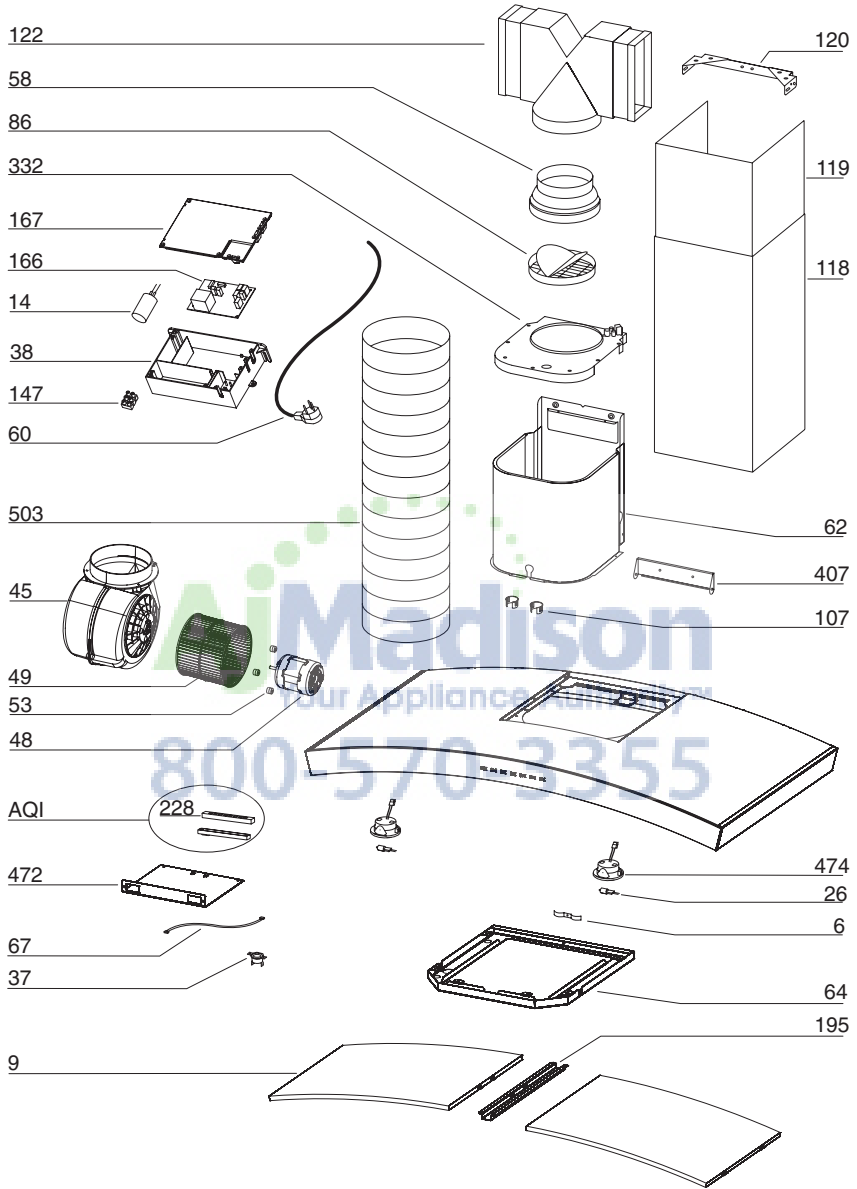
In Canada - Best®, 550 Lemire Blvd., Drummondville, QC J2C 7W9 (866-737-7770)

www.BestRangeHoods.com

SERVICE PARTS

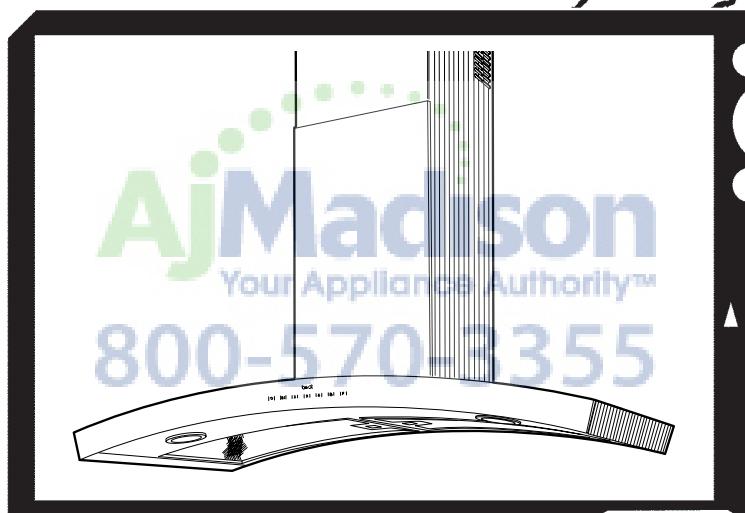
KEY NO.	PART NO.	DESCRIPTION
6	B02000191	SPRING
9	B08087823	GREASE FILTER
14	B02300233	CONDENSER
26	B02300890	LAMP BULB
37	B02300804	KNOB
38	B03295595	ELECTRICAL PRINTED CIRCUIT BOARD BOX
45	BW0000040	BLOWER
48	B02310260	MOTOR (CLOCKWISE)
49	B03295071	FAN (CLOCKWISE)
53	B03204177	RUBBER WASHER
58	B03295018	OUTLET REDUCTION
60	B02300249	FEEDER CABLE
62	B08091462	BLOWER BRACKET
64	BE3350989	BOTTOM BRACKET
67	B02300957	WIRES
86	B08088378	OUTLET FLANGE
107	B03202287	CABLE STOP
118	BE3345965	BOTTOM DUCT EXT.
119	BE3345966	UPPER DUCT EXT.
120	B08091367	TELESCOPIC DUCT UPPER BRACKET
122	B08088369	RISER
147	BR2300132	JUNCTION CLAMP
166	B08080853	ELECTRICAL PRINTED CIRCUIT BOARD
167	B03295596	ELECTRICAL BOX COVER
195	BE3351078	BRACKET
228	B08080320	CONTROLS PRINTED CIRCUIT BOARD
332	B03295009	COVER
407	BE3343336	BLOWER SUPPORT BRACKET
472	BE3351077	BRACKET
474	B02300918	HALOGEN LAMP
503	B02011452	EXPANDABLE DUCT
AQI	B06103882	SWITCH BOX ASSEMBLY (INCLUDES KEY NO. 228)
*	B06002080	BLOWER ASSEMBLY (INCLUDES KEY NOS. 45,48,49,53)
*	B080810501	FITTING SET (INCLUDES KEY NOS. 86, 120)
*	B06145119	ELECTRICAL INSTALLATION ASSEMBLY (INCLUDES KEY NOS. 14,38,60,67,147,166,167,AQI)

SERVICE PARTS





best®



Modèle WC35I

ENGLISH.....	2
FRANÇAIS.....	17
ESPAÑOL.....	33

Aux États-Unis - BEST Hartford, Wisconsin
Au CANADA - BEST Drummondville, QC, Canada

ENREGISTREZ VOTRE PRODUIT EN LIGNE À L'ADRESSE : www.BestRangeHoods.com/register
Pour en savoir plus, visitez le site www.BestRangeHoods.com

VEUILLEZ LIRE ET CONSERVER CES INSTRUCTIONS

⚠️ CONÇUE POUR LES CUISINES PRIVÉES UNIQUEMENT ⚠️

⚡ ⚠️ AVERTISSEMENT

POUR RÉDUIRE LES RISQUES D'INCENDIE, D'ÉLECTROCUTION OU DE BLESSURES PHYSIQUES, RESPECTEZ LES INSTRUCTIONS CI-DESSOUS :

1. Utilisez cet appareil uniquement de la manière prévue par le fabricant. Si vous avez des questions, contactez le fabricant à l'adresse ou au numéro de téléphone indiqués dans la garantie.
2. Avant d'effectuer l'entretien ou le nettoyage de l'appareil, mettez-le hors tension sur le panneau de service et verrouillez ce dernier pour éviter que l'appareil soit mis sous tension par inadvertance. S'il n'est pas possible de verrouiller le dispositif de déconnexion, apposez un avertissement bien visible (par exemple une étiquette) sur le panneau de service.
3. L'installation et le raccordement électrique doivent être effectués par du personnel qualifié conformément à toutes les réglementations et normes en vigueur, y compris celles concernant les constructions cotées pour leur résistance au feu.
4. Afin d'éviter un refoulement lors de l'utilisation d'équipements à combustible, une quantité d'air suffisante est nécessaire pour assurer une combustion et un échappement adéquats des gaz à travers le conduit (la cheminée). Suivez les consignes du fabricant de l'équipement chauffant et les normes de sécurité publiées, entre autres, par l'Association nationale de protection contre l'incendie (NFPA) et l'American Society for Heating, Refrigeration and Air Conditioning Engineers (ASHRAE), ainsi que les réglementations locales.
5. Quand vous effectuez une découpe ou un forage dans un mur ou un plafond, veillez à ne pas endommager des câblages électriques ou d'autres équipements non visibles.
6. Les soufflantes canalisées doivent toujours être dirigées vers l'extérieur.
7. N'utilisez pas cet appareil avec un dispositif de commande de vitesse transistorisé séparé.
8. Pour réduire les risques d'incendie, utilisez uniquement des canalisations en métal.

INSTRUCTIONS DE MISE À LA TERRE

Cet appareil doit être mis à la terre. En cas de court-circuit électrique, la mise à la terre réduit le risque d'électrocution grâce à un fil permettant au courant électrique de s'échapper. Cet appareil est doté d'un cordon ayant un fil de terre, ainsi que d'une fiche de mise à la terre. La fiche doit être branchée dans une prise bien installée et mise à la terre.

AVERTISSEMENT - Une mise à la terre inappropriée peut donner lieu à un risque d'électrocution.

Consultez un électricien qualifié si vous ne comprenez pas parfaitement les instructions de mise à la terre ou si vous n'êtes pas certain(e) que l'appareil est mis à la terre comme il se doit.

N'utilisez pas de rallonge. Si le cordon est trop court, demandez à un électricien d'installer une prise près de l'appareil.



AVERTISSEMENT

POUR RÉDUIRE LE RISQUE D'UN FEU DE FRITURE SUR LA TABLE DE CUISSON :

- A. Ne laissez jamais les appareils de surface sans surveillance quand ils sont sur un réglage élevé. Les débordements peuvent provoquer de la fumée et des déversements gras risquant de prendre feu. Chauffez les huiles lentement sur un réglage bas ou moyen.
- B. ALLUMEZ toujours la hotte quand vous cuisinez à une chaleur élevée ou quand vous flambez des aliments (p. ex. des crêpes Suzette, des cerises jubilé ou du bœuf au poivre flambé).
- C. Nettoyez souvent les ventilateurs d'aération. Évitez que de la graisse s'accumule sur le ventilateur ou le filtre.
- D. Utilisez des poêles de la taille appropriée. Utilisez toujours des ustensiles de cuisine adaptés à la taille de l'élément de surface.

POUR RÉDUIRE LE RISQUE DE BLESSURES PHYSIQUES EN CAS DE FEU DE FRITURE SUR LA TABLE DE CUISSON, VEUILLEZ PROCÉDER COMME SUIT : *

1. ÉTOUFFEZ LES FLAMMES avec un couvercle hermétique, une plaque à biscuits ou un plateau en métal, puis éteignez le brûleur. SOYEZ PRUDENT (E) AFIN D'ÉVITER LES BRÛLURES. Si les flammes ne s'éteignent pas immédiatement, ÉVACUEZ LE LIEU ET APPELEZ LE SERVICE DES POMPIERS.
2. NE SAISISSEZ JAMAIS UNE POÊLE ENFLAMMÉE, vous risquez de vous brûler.
3. N'UTILISEZ JAMAIS D'EAU ni de torchons ou serviettes mouillé(e)s : cela donnerait lieu à une violente explosion de vapeur.
4. Utilisez un extincteur UNIQUEMENT si :
 - A. Vous savez qu'il s'agit d'un extincteur de Classe ABC et savez déjà comment vous en servir.
 - B. L'incendie est de petite taille et confiné à l'endroit où il a commencé.
 - C. Le service des pompiers a été averti.
 - D. Vous pouvez éteindre l'incendie en ayant une sortie derrière vous.

* Basé sur « Kitchen Fire Safety Tips », publié par la NFPA.

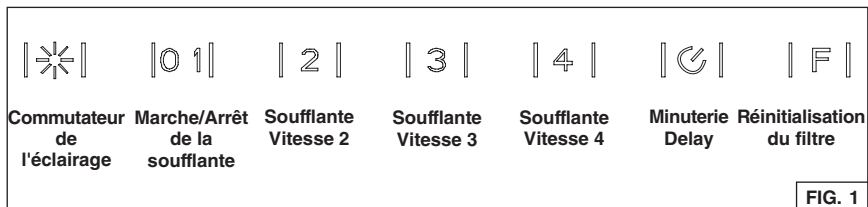


ATTENTION

1. Uniquement pour l'utilisation intérieure.
2. Pour réduire le risque d'incendie et obtenir un échappement d'air adéquat, veillez à bien canaliser l'air vers l'extérieur. Ne ventilez pas l'air d'échappement vers des espaces confinés, des plafonds, des combles, des vides sanitaires ou des garages.
3. Soyez prudent(e) quand vous utilisez des agents de nettoyage ou des détergents.
4. Évitez d'utiliser sous la hotte de cuisine des denrées alimentaires produisant des flammes.
5. À utiliser uniquement pour la ventilation générale. N'utilisez pas la hotte pour l'échappement de matériaux ou de vapeurs comportant un danger ou un risque d'explosion.
6. Pour éviter que le roulement moteur s'endommage et que des hélices deviennent bruyantes ou déséquilibrées, faites en sorte que le bloc d'alimentation n'entre pas en contact avec un atomiseur pour cloisons sèches, de la poussière de construction, etc.
7. Le moteur de la hotte est doté d'un rupteur thermique qui éteint automatiquement le moteur en cas de surchauffe. Le moteur redémarrera après avoir refroidi. Si le moteur s'éteint et se rallume constamment, faites réparer la hotte.
8. Pour mieux capturer les impuretés de cuisson, la partie inférieure de la hotte doit se trouver au minimum à 60 cm (24") et au maximum à 75 cm (30") au-dessus de la surface de cuisson. Consultez la section « Installation du support de montage » pour connaître les restrictions de montage.
9. Étant donné la taille et le poids de la hotte, il est conseillé d'avoir recours à deux personnes pour la monter.
10. Ce produit est doté d'un thermostat qui peut activer la soufflante automatiquement. Pour éviter les risques de blessure et l'allumage accidentel de la hotte, mettez-la hors tension sur le panneau de service et verrouillez ce dernier ou fixez-y une étiquette d'avertissement.
11. Pour en savoir plus et connaître les exigences sur le produit, veuillez lire l'étiquette des spécifications.

FONCTIONNEMENT

Commandes (Fig. 1)



Le **commutateur d'éclairage** permet d'allumer et d'éteindre les ampoules halogènes. Appuyez une fois pour allumer la lumière. Appuyez une deuxième fois pour augmenter la luminosité. Appuyez encore une fois pour éteindre la lumière.

Le commutateur **Marche/Arrêt de la soufflante** permet d'allumer la soufflante à basse vitesse. Appuyez une deuxième fois pour éteindre la soufflante.

Le commutateur **Soufflante Vitesse 2** permet d'augmenter la vitesse de la soufflante à la vitesse moyenne-basse.

Le commutateur **Soufflante Vitesse 3** permet d'augmenter la vitesse de la soufflante à la vitesse moyenne-haute.

Le commutateur **Soufflante Vitesse 4** permet d'augmenter la vitesse de la soufflante à la vitesse haute.

Le commutateur de Minuterie active une fonction de temporisation. Appuyez une fois afin d'activer la temporisation de 10 minutes pour n'importe quel réglage de vitesse. Appuyez à nouveau pour désactiver la minuterie.

La **Réinitialisation du filtre** s'allume après 30 heures de fonctionnement pour indiquer qu'il faut nettoyer les filtres. Après avoir nettoyé ou remplacé les filtres, appuyez une fois sur ce commutateur pour réinitialiser la minuterie de 30 heures.

HEAT SENTRY™

La hotte est équipée d'un thermostat HEAT SENTRY™. Ce dispositif active ou accélère la soufflante s'il détecte une chaleur excessive au-dessus de la surface de cuisson.

- 1) Si la soufflante est ARRÊTÉE, il l'ALLUME sur la vitesse HAUTE.
- 2) Si la soufflante est ALLUMÉE à une vitesse basse, il la fait passer à la vitesse HAUTE. Quand la température redevient normale, la soufflante retourne au réglage d'origine.

AVERTISSEMENT

Le thermostat HEAT SENTRY peut activer la soufflante même si la hotte est éteinte. Dans ce cas, il est impossible de désactiver la soufflante avec le commutateur d'ARRÊT. Si vous devez ARRÊTER la soufflante, faites-le depuis le panneau électrique principal.

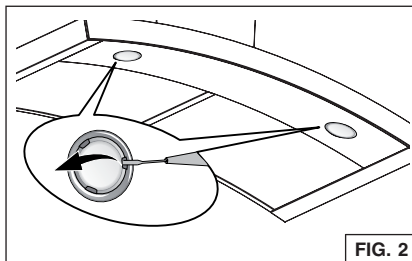
AMPOULES HALOGÈNES

Cette hotte de cuisine nécessite deux ampoules halogènes (Type T4, 120 V, 25 W max., base G9).

⚠ AVERTISSEMENT : désactivez toujours l'alimentation avant d'effectuer toute opération sur l'appareil.

Pour changer les ampoules :

1. Ouvrez le couvercle en faisant levier sur les fentes prévues à cet effet. Fig. 2.
2. Retirez les ampoules en les tirant vers le côté. (NE LES TOURNEZ PAS.)



⚠ ATTENTION : il est possible que les ampoules soient chaudes.

3. Remplacez-les par des ampoules halogènes de type T4, 120 V, 25 W max., base G9. Ne touchez pas les ampoules de rechange à mains nues!

NETTOYAGE ET ENTRETIEN

Pour assurer les performances de l'appareil, entretenez-le de manière appropriée.

Moteur

Le moteur est lubrifié en permanence et aucun graissage n'est nécessaire. Si les roulements du moteur font un bruit excessif ou inhabituel, remplacez le moteur par une pièce de rechange identique. Remplacez aussi les hélices.

Filtere à graisse

Le filtre à graisse doit être nettoyé souvent. Vous pouvez utiliser une solution détergente chaude ou le mettre dans le lave-vaisselle.

Nettoyez tous les filtres en métal dans le lave-vaisselle avec un détergent sans phosphate. Si vous utilisez un détergent phosphaté ou selon le type d'eau, il est possible que le filtre se décolore, mais cela n'affectera aucunement ses performances. Cette décoloration n'est pas couverte par la garantie.

Consultez la section « INSTALLATION DES FILTRES » pour connaître les instructions de retrait et d'installation.

Filtere de recirculation non canalisé

Le filtre de recirculation non canalisé doit être changé tous les 6 mois. Si votre style de cuisine engendre beaucoup de graisse, par exemple si vous faites souvent de la friture ou utilisez un wok, remplacez-le plus souvent. Consultez la section « INSTALLATION DES FILTRES » pour connaître les instructions de retrait et d'installation.

Nettoyage de l'acier inoxydable

À FAIRE :

- nettoyez régulièrement l'acier inoxydable avec un chiffon ou un torchon enduit d'eau chaude et de savon doux ou de liquide vaisselle.
- nettoyez toujours dans le sens des lignes de polissage d'origine.
- rincez toujours à l'eau claire (2 ou 3 fois) après le nettoyage. Essuyez complètement.
- vous pouvez aussi utiliser un nettoyant spécial pour acier inoxydable d'électroménagers.

À NE PAS FAIRE :

- n'utilisez pas de laine d'acier inoxydable ou d'autres racloirs pour éliminer la saleté difficile à éliminer.
- n'utilisez pas de produits de nettoyage durs ou abrasifs.
- ne laissez pas la poussière s'accumuler.
- maintenez la hotte à l'abri de la poussière de plâtre ou d'autres résidus de construction. Pendant la construction/les rénovations, couvrez la hotte afin d'éviter qu'aucune poussière n'adhère aux surfaces en acier inoxydable.

À éviter quand vous choisissez un détergent :

- tous les produits de nettoyage contenant de l'eau de Javel attaquent l'acier inoxydable.
- tous les produits contenant du chlore, du fluor, de l'iode ou du bromure provoquent une détérioration rapide des surfaces.
- tous les produits combustibles utilisés pour le nettoyage, tels que l'acétone, l'alcool, l'éther, le benzène sont extrêmement explosifs et ne doivent jamais être employés à proximité d'une table de cuisson.

PRÉPARATION DE LA HOTTE

Déballez la hotte et vérifiez le contenu de l'emballage.

Il doit comprendre :

1 - Hotte

1 - Ensemble de carneau décoratif

1 - Sac de pièces contenant :

1 - Support de montage

1 - Collet de refolement

1 - Support de montage du carneau

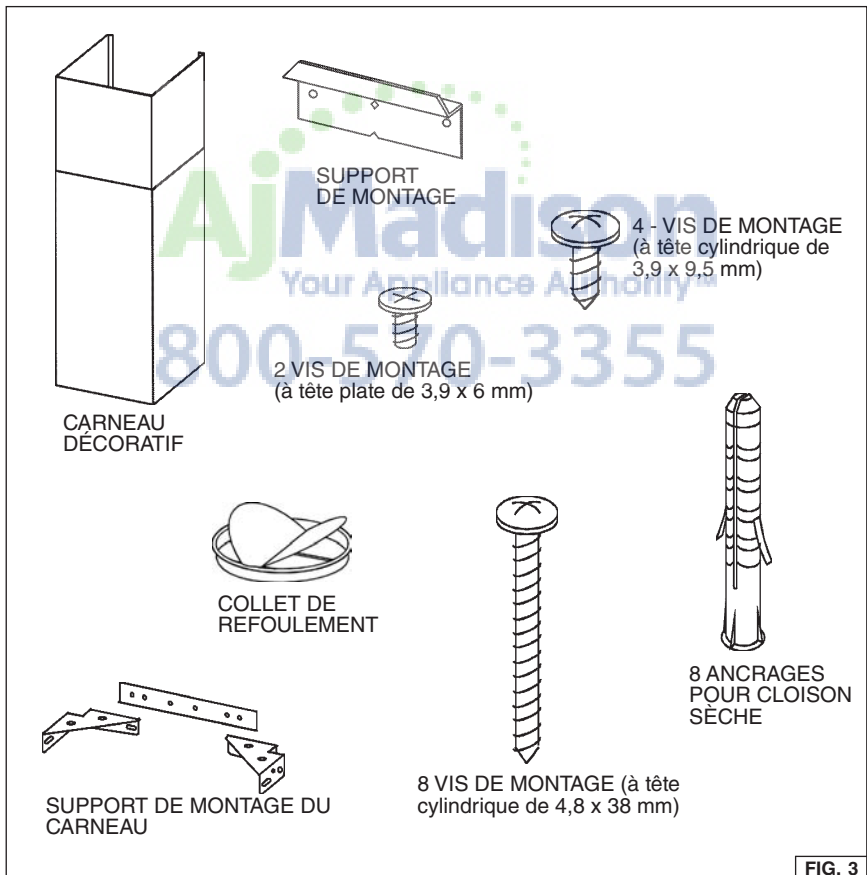
8 - Vis de montage (à tête cylindrique de 4,8 x 38 mm)

4 - Vis de montage (à tête cylindrique de 3,9 x 9,5 mm)

2 - Vis de montage (à tête plate de 3,9 x 6 mm)

8 - Ancrages pour cloison sèche

1 - Instructions d'installation

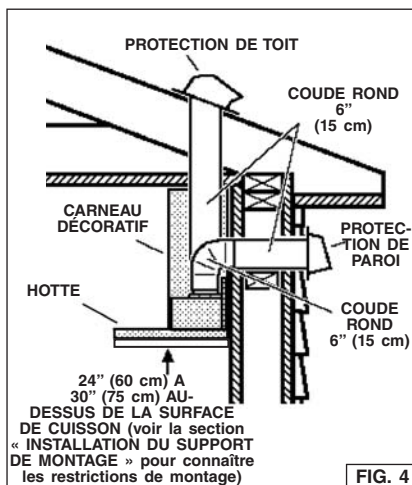


INSTALLATION DE LA CANALISATION

HOTTES CANALISÉES UNIQUEMENT

ATTENTION : pour réduire les risques d'incendie, utilisez uniquement des canalisations en métal.

1. Décidez à quel endroit passera la canalisation entre la hotte et l'extérieur. Fig. 4.
2. Une canalisation droite et courte assurera des performances optimales de la hotte.
3. Une canalisation longue, coudée et les transitions réduiront les performances de la hotte. Utilisez-les le moins possible. Si la canalisation est longue, il peut s'avérer nécessaire d'utiliser une canalisation plus grande.
4. Installez une protection de toit ou de paroi. Raccordez la canalisation métallique ronde à la protection et reculez vers l'emplacement de la hotte. Utilisez du ruban adhésif en toile pour étanchéiser les joints entre les sections de la canalisation.

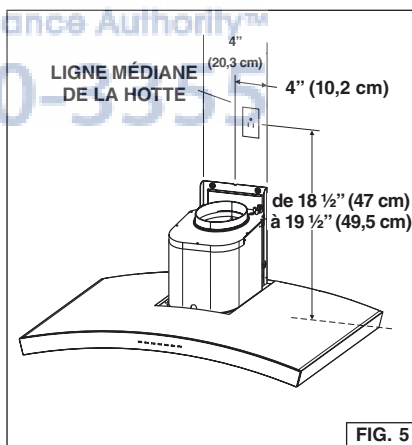


INSTALLATION ÉLECTRIQUE

HOTTES CANALISÉES et NON CANALISÉES

⚠ AVERTISSEMENT : le câblage électrique doit être réalisé par une personne qualifiée, conformément aux réglementations et normes en vigueur. Cette hotte de cuisine doit être mise à la terre de manière adéquate. Avant d'effectuer le câblage, coupez le courant à l'origine de l'installation électrique.

1. Prévoyez où la hotte sera placée au-dessus de la table de cuisson. Consultez la section « Installation du support de montage » pour savoir à quelles hauteurs la hotte peut être montée.
2. Installez une boîte à prises murale de 5 x 10 cm (2" x 4") et un prolongateur à 3 broches de 125 V, 15 A mis à la terre. Fig. 5.
3. Montez le centre de la prise murale à 46-49 cm (18 1/2" à 19 1/2") au-dessus du bas de la hotte.
4. Placez la boîte et le prolongateur dans les limites indiquées et de manière décentrée par rapport à la canalisation (afin de laisser l'espace pour la protection du cordon et le carneau).



INSTALLATION DU SUPPORT DE MONTAGE

HOTTES CANALISÉES et NON CANALISÉES

1. Construisez une **structure** murale en bois à niveau avec la surface intérieure des poteaux de cloison. Fig. 6.
Assurez-vous :
 - a) que la structure est centrée sur l'emplacement d'installation.
 - b) que la structure soit placée à une hauteur permettant d'y fixer le **support de montage** conformément aux dimensions indiquées.
2. **Une fois que la surface murale est terminée**, fixez le support de montage à la structure avec 2 vis de montage de 4,8 x 38 mm. Consultez le tableau ci-dessous pour connaître l'emplacement du support de montage.

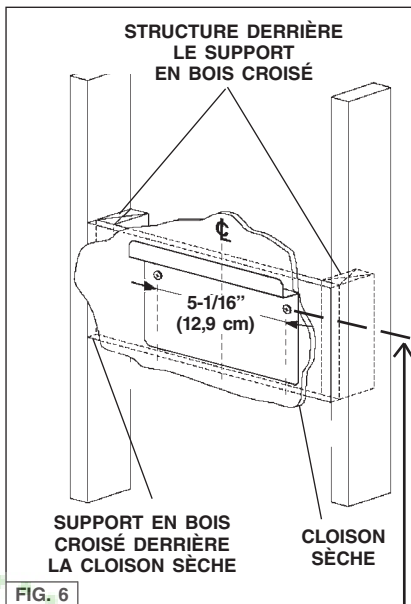


FIG. 6

HAUTEUR DE PLAFOND	MÉTHODE DE CANALISATION	DISTANCE DE LA HOTTE À 90 CM (36") AU-DESSUS DE LA TABLE DE CUISSON (voir remarque ci-dessous)						
		60 cm (24")	63 cm (25")	66 cm (26")	68 cm (27")	71 cm (28")	73 cm (29")	75 cm (30")
		EMPLACEMENT DU SUPPORT DE MONTAGE À 90 CM (36") AU-DESSUS DE LA TABLE DE CUISSON						
2,4 M (8 PI)	CANALISÉE	96 cm (38-3/8")	99 cm (39-3/8")	101 cm (40-3/8")	104 cm (41-3/8")	106 cm (42-3/8")	109 cm (43-3/8")	111 cm (44-3/8")
	NON CANALISÉE	96 cm (38-3/8")	99 cm (39-3/8")	101 cm (40-3/8")	104 cm (41-3/8")	106 cm (42-3/8")	109 cm (43-3/8")	111 cm (44-3/8")
2,75 M (9 PI)	CANALISÉE OU NON CANALISÉE	96 cm (38-3/8")	99 cm (39-3/8")	101 cm (40-3/8")	104 cm (41-3/8")	106 cm (42-3/8")	109 cm (43-3/8")	111 cm (44-3/8")

Remarque : la distance minimum de la hotte au-dessus de la table de cuisson ne doit pas être inférieure à 60 cm (24"). Il est vivement recommandé de placer la hotte à 75 cm (30") au maximum au-dessus de la table de cuisson pour qu'elle capture au mieux les impuretés culinaires. L'installateur et l'utilisateur peuvent s'ils le souhaitent - et si la hauteur de plafond et la longueur du carneau le permettent - placer la hotte à plus de 75 cm (30") de la table de cuisson.

INSTALLATION DU SUPPORT DE MONTAGE DU CARNEAU

HOTTES CANALISÉES ET NON CANALISÉES

1. Montez le support de montage du carneau en réglant la largeur extérieure comme indiqué. Fig. 7.
2. **Centrez avec soin** le support de montage directement au-dessus de l'emplacement de la hotte de cuisine.
3. Fixez l'ensemble du support au plafond à l'aide de 2 vis de montage de 4,8 x 38 mm et des ancrages pour cloison sèche. Fig. 8. Veillez à ce que le support soit poussé à fond contre la paroi au niveau du coin et soit centré au-dessus de la hotte.

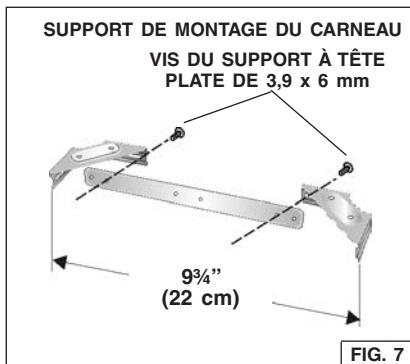


FIG. 7

INSTALLATION DE LA HOTTE

Remarque : avant l'installation finale, retirez la pellicule en plastique de toutes les surfaces extérieures, des carnaux décoratifs et des filtres.

INSTALLATION D'UNE HOTTE CANALISÉE OU NON CANALISÉE

1. Retirez l'adhésif du boîtier électrique et fixez avec 2 vis de 3,9 x 9,5 mm Fig. 9.
2. Installez la hotte sur le support de montage mural. Vérifiez que la hotte est parallèle au sol. Fig. 10.
3. Prenez les repères et installez 4 autres ancrages pour cloison et les vis tel qu'indiqué.
4. Fixez la hotte à la paroi avec 4 vis de montage de 4,8 x 38 mm.

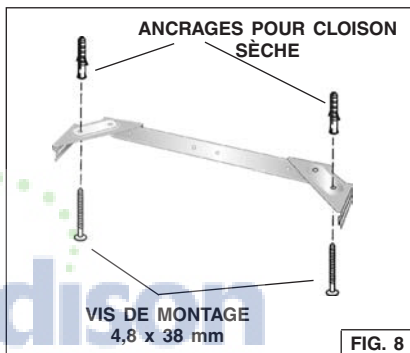


FIG. 8

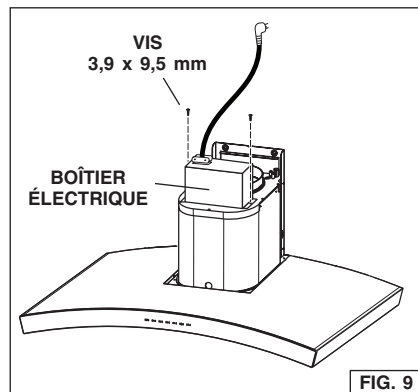


FIG. 9

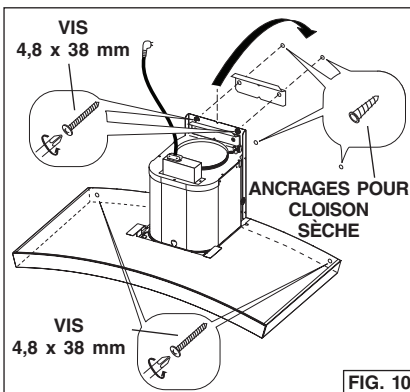
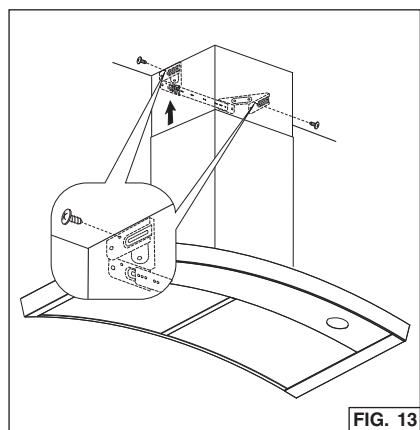
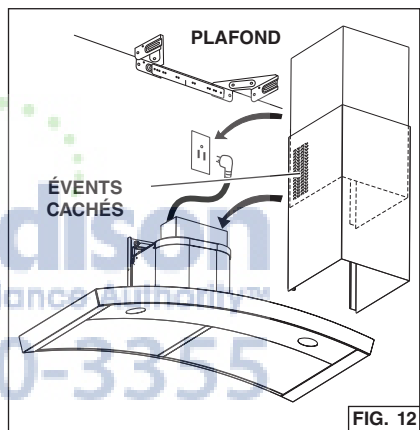
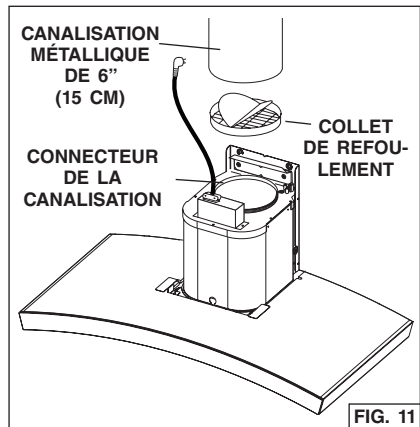


FIG. 10

INSTALLATIONS CANALISÉES UNIQUEMENT

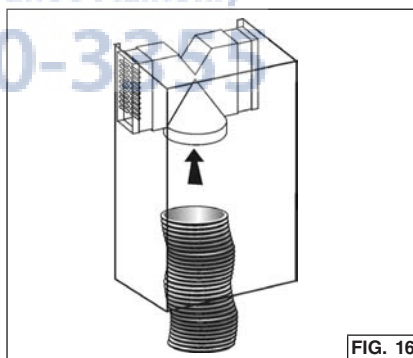
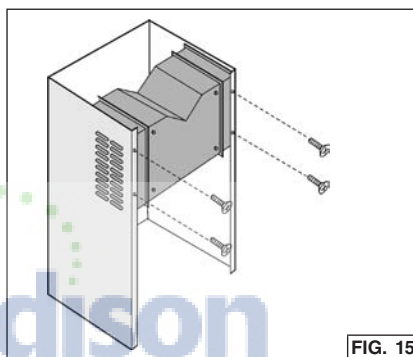
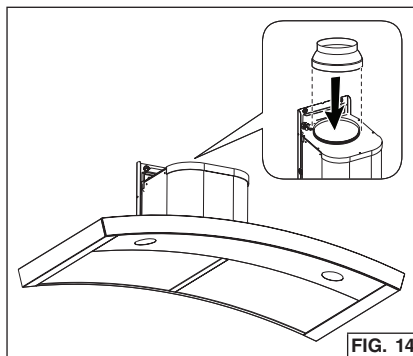
1. Poussez le collet de refoulement sur le connecteur de la canalisation de la hotte et collez le joint avec de l'adhésif pour canalisation en aluminium. Fig. 11.
2. Faites passer la canalisation en métal de 15 cm (6 po) vers l'emplacement extérieur.
3. Installez une protection de paroi ou de toit appropriée avec le collet de refoulement afin que l'air s'échappe vers l'extérieur.
4. Collez tous les joints de la canalisation avec de l'adhésif pour canalisation en aluminium.
5. Branchez le cordon dans la prise murale.
6. Installez les carreaux supérieur et inférieur sur la hotte de cuisine.
 - Les événements sont cachés si le plafond a une hauteur de 2,4 m (8 pi).
 - Les événements sont exposés si le plafond a une hauteur de 2,75 m (9 pi).
7. Fixez le carneau supérieur au support de montage du carneau avec 2 vis de 3,9 x 6 mm.



INSTALLATIONS NON CANALISÉES UNIQUEMENT

Remarque : achetez le modèle ANKWC35 avec l'ensemble de recirculation non canalisé.

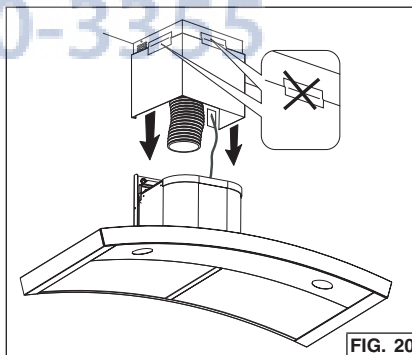
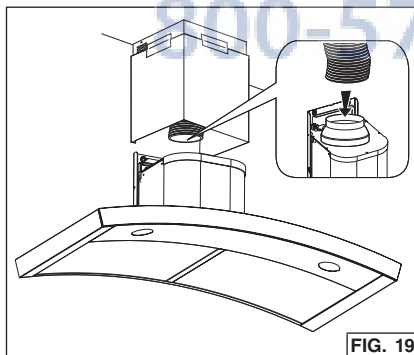
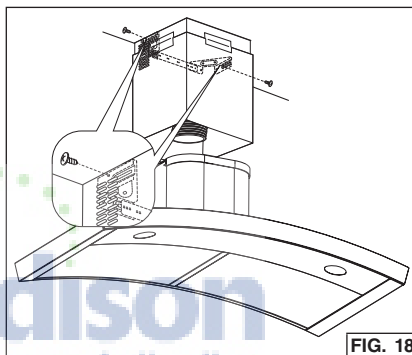
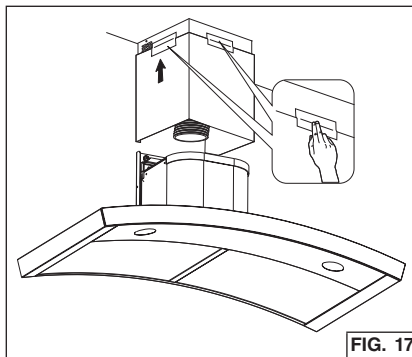
1. N'installez pas le collet de refoulement fourni avec la hotte de cuisine.
2. Fixez l'adaptateur 12 à 15 cm (5" à 6") au refoulement de la soufflante et collez le joint avec de l'adhésif pour canalisation en aluminium. Fig. 14.
3. Installez le collecteur dans le carneau décoratif supérieur à l'aide des 4 vis de 3,4 x 15 mm fournies, ainsi qu'indiqué. Fig. 15.
4. Fixez la canalisation extensible de 12 cm (5 po) au collecteur et collez le joint avec de l'adhésif pour canalisation en aluminium. Fig. 16.
5. Fixez temporairement les carneaux



AjMadison
Your Appliance Authority™
800-570-3355

supérieur et inférieur l'un à l'autre avec de l'adhésif pour canalisation, ainsi qu'indiqué. Fig. 17.

6. Mettez le carneau en position au-dessus de la hotte. Fixez le carneau supérieur au support de montage du carneau avec 2 vis de 3,9 x 6 mm. Fig. 18.
7. Étirez la canalisation extensible, fixez-la à l'adaptateur 12 à 15 cm (5" à 6") et appliquez de l'adhésif sur les joints des canalisations. Fig. 19.
8. Branchez le cordon dans la prise murale. Fig. 18.
9. Retirez l'adhésif des carneaux et abaissez les carneaux en position sur la hotte. Fig. 20.

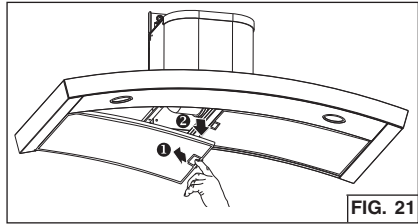


AjMadison
Your Appliance Authority™
800-570-3355

INSTALLATION DES FILTRES

HOTTES CANALISÉES ET NON CANALISÉES

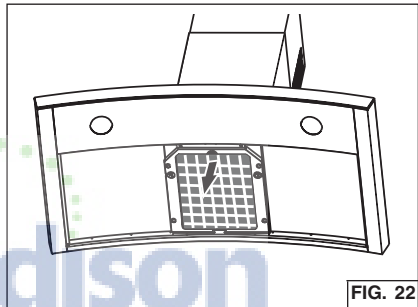
1. Pour retirer le filtre à GRAISSE, tirez la languette de blocage vers le bas pour dégager le filtre de la hotte. Inclinez le filtre vers le bas et retirez-le. Fig. 21.
2. Pour installer le filtre à GRAISSE, alignez les languettes arrière du filtre avec les fentes de la hotte. Tirez la languette de blocage vers le bas et enfoncez le filtre à sa position, puis relâchez. Au terme de l'installation, assurez-vous que le filtre est bien engagé. Fig. 21.



REMARQUE : avant l'utilisation, retirez la pellicule de protection du cadre du filtre.

HOTTES NON CANALISÉES UNIQUEMENT

1. Pour retirer le filtre à CHARBON, saisissez la languette du filtre et poussez-la vers l'arrière de la hotte. Tirez le filtre vers le bas pour dégager les languettes arrière du filtre. Fig. 22.
2. Pour installer le filtre à CHARBON, alignez-le avec l'ouverture rectangulaire. Poussez contre les ressorts à l'arrière de la hotte et appuyez pour mettre le filtre à sa place. Au terme du montage, assurez-vous que le filtre est bien engagé.
3. Installez le filtre à GRAISSE après avoir installé le filtre à charbon.



GARANTIE

GARANTIE LIMITÉE DE UN AN POR LES PRODUITS BEST

Broan-NuTone LLC (Broan-NuTone) garantit à l'acheteur consommateur original de produits Best qu'ils sont exempts de vice de matériaux ou de fabrication pour une période d'un an à compter de la date d'achat original. IL N'Y A PAS D'AUTRES GARANTIES, EXPRIMÉES OU IMPLICITES, INCLUANT MAIS NON LIMITÉES AUX GARANTIES IMPLICITES DE QUALITÉ MARCHANDE ET DE CONVENANCE DANS UN BUT PARTICULIER.

Durant cette période d'un an, Broan-NuTone, à sa discrétion, réparera ou remplacera gratuitement tout produit ou pièce qui s'avèrera défectueux et ayant été utilisé normalement et d'une manière non abusive.

CETTE GARANTIE NE S'APPLIQUE PAS AUX TUBES FLUORESCENTS ET AUX DÉMARREURS, NI AUX AMPOULES HALOGÈNES OU INCANDESCENTES, FUSIBLES, FILTRES, CONDUITS, CAPUCHONS DE TOIT, CAPUCHONS MURAUX ET AUTRES ACCESSOIRES POUR CONDUITS. Cette garantie ne couvre pas (a) l'entretien et le service normal ou (b) tout produit ou pièce endommagé à la suite d'un mauvais usage, d'une négligence, d'un accident, d'un entretien inadéquat ou d'une réparation (autre que par Broan-NuTone), d'une mauvaise installation ou d'une installation non conforme au mode d'installation recommandé.

La durée de toute garantie implicite est limitée à une période de un an tel que spécifié pour la garantie exprimée. Certains États ou provinces ne permettent pas de limitation de la durée d'une garantie implicite. Cette condition ne s'applique donc peut-être pas dans votre cas.

L'ENGAGEMENT DE BROAN-NUTONE À RÉPARER OU À REMPLACER, AU CHOIX DE BROAN-NUTONE, SERA LA SEULE OBLIGATION EXCLUSIVE SOUS CETTE GARANTIE. BROAN-NUTONE NE SE TIENDRA PAS RESPONSABLE DES DOMMAGES DIRECTS, INDIRECTS OU SPÉCIAUX AYANT UN LIEN DIRECT OU INDIRECT AVEC L'UTILISATION OU LA PERFORMANCE DE SES PRODUITS. Certains États ou provinces ne permettent pas l'exclusion ou la limitation de dommages directs ou indirects. Cette condition ne s'applique donc peut-être pas dans votre cas.

Cette garantie vous donne des droits spécifiques et il se peut que vous ayez d'autres droits qui varient d'une province à l'autre ou d'un État à l'autre. Cette garantie annule toutes les garanties précédentes.

Pour le service sous garantie, vous devez (a) aviser Broan-NuTone à l'adresse ou numéro de téléphone mentionnée ci-dessous, (b) donner le numéro de modèle et l'identification de la pièce et (c) décrire la nature de tout défaut dans le produit ou la pièce. Au moment de la demande de service sous garantie, vous devez présenter une preuve de la date d'achat original du produit en question.

Au USA - BEST® Hartford, Wisconsin 800-558-1711

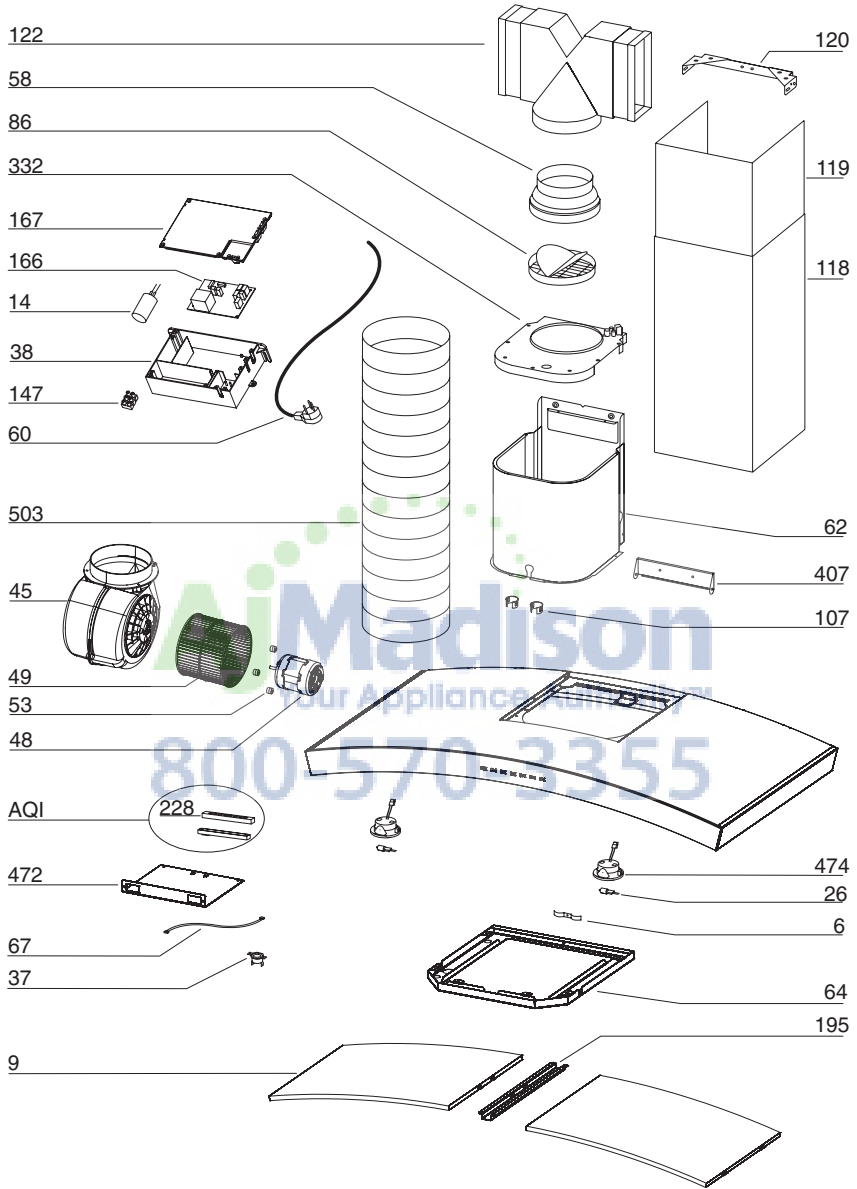
Au Canada - BEST® Drummondville, QC 866-737-7770

www.BestRangeHoods.com

PIÈCES DE RECHANGE

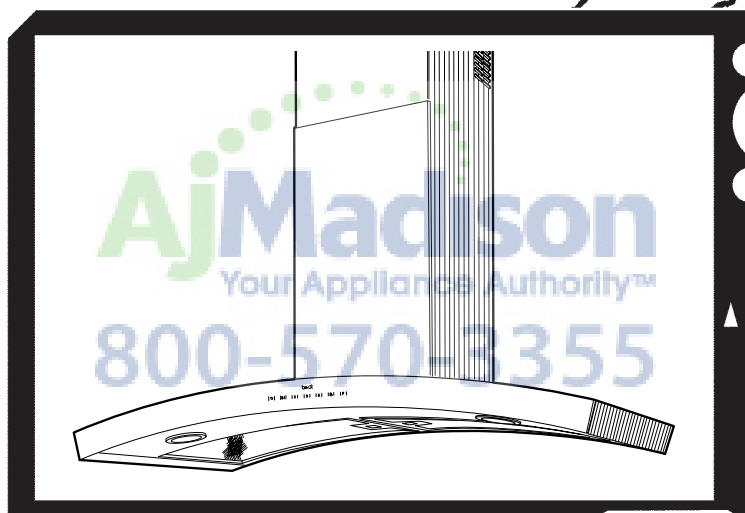
N° DE RÉF.	N° DE PIÈCE	DESCRIPTION
6	B02000191	RESSORT
9	B08087823	FILTRE À GRAISSE
14	B02300233	CONDENSATEUR
26	B02300890	AMPOULE
37	B02300804	MANETTE
38	B03295595	BOÎTIER DE LA CARTE DE CIRCUITS IMPRIMÉS ÉLECTRIQUES
45	BW0000040	SOUFFLANTE
48	B02310260	MOTEUR (SENS HORAIRE)
49	B03295071	VENTILATEUR (SENS HORAIRE)
53	B03204177	RONDELLE EN CAOUTCHOUC
58	B03295018	RÉDUCTION DE SORTIE
60	B02300249	CÂBLE D'ALIMENTATION
62	B08091462	SUPPORT DE SOUFFLANTE
64	BE3350989	SUPPORT INFÉRIEUR
67	B02300957	FILS
86	B08088378	BRIDE DE SORTIE
107	B03202287	ARRÊT DU CÂBLE
118	BE3345965	EXT. CANALISATION INFÉRIEURE
119	BE3345966	EXT. CANALISATION SUPÉRIEURE
120	B08091367	SUPPORT SUPÉRIEUR DE CANALISATION TÉLESCOPIQUE
122	B08088369	APPUI
147	BR2300132	COLLIER DE JONCTION
166	B08080853	CARTE DE CIRCUITS IMPRIMÉS ÉLECTRIQUES
167	B03295596	COUVERCLE DU BOÎTIER ÉLECTRIQUE
195	BE3351078	SUPPORT
228	B08080320	CARTE DE CIRCUITS IMPRIMÉS DE COMMANDE
332	B03295009	COUVERCLE
407	BE3343336	SUPPORT DE LA SOUFFLANTE
472	BE3351077	SUPPORT
474	B02300918	AMPOULE HALOGENE
503	B02011452	CANALISATION EXTENSIBLE
AQI	B06103882	ENSEMBLE DE TABLEAU DE COMMANDE (COMPREND LE N° DE RÉFÉRENCE 228)
*	B06002080	ENSEMBLE DE SOUFFLANTE (COMPREND LES N° DE RÉFÉRENCE 45, 48, 49, 53)
*	B080810501	JEU DE RACCORD (COMPREND LES N° DE RÉFÉRENCE 86, 120)
*	B06145119	ENSEMBLE DE L'INSTALLATION ÉLECTRIQUE (COMPREND LES N° DE RÉFÉRENCE 14, 38, 60, 67, 147, 166, 167, AQI)

PIÈCES DE RECHANGE





best®



Modelo WC35I

ENGLISH.....	2
FRANÇAIS.....	17
ESPAÑOL.....	33

En EE.UU.: BEST Hartford, Wisconsin
En CANADÁ: BEST Drummondville, QC, Canadá

REGISTRE SU PRODUCTO EN LÍNEA EN: www.BestRangeHoods.com/register
Para obtener Información adicional visite www.BestRangeHoods.com

LEA Y CONSERVE ESTAS INSTRUCCIONES

⚠ PARA COCINAS DOMÉSTICAS SOLAMENTE ⚠

⚡ ⚠ ADVERTENCIA

PARA REDUCIR EL RIESGO DE INCENDIOS, DESCARGAS ELÉCTRICAS O LESIONES PERSONALES, RESPETE LO SIGUIENTE:

1. Utilice esta unidad sólo de la manera prevista por el fabricante. Si tiene preguntas, comuníquese con el fabricante a la dirección o el número de teléfono que aparecen en la garantía.
2. Antes de realizar el mantenimiento de la unidad o de limpiarla, desconecte la energía en el panel de servicio y bloquéelo para evitar conectar la energía accidentalmente. Cuando no se pueda bloquear el mecanismo de desconexión, fije firmemente un dispositivo de advertencia que se destaque, como una etiqueta, en el panel de servicio.
3. Una persona capacitada debe realizar el trabajo de instalación y el cableado eléctrico conforme a los códigos y estándares correspondientes, incluidos los códigos y estándares de construcción de resistencia al fuego.
4. Es necesario que haya suficiente aire para que se produzca una combustión adecuada y los gases de los equipos que consumen combustible se puedan evacuar a través del conducto de humo (chimenea) para evitar el contratiraje. Siga las directrices y las normas de seguridad del fabricante del equipo de calefacción como las publicadas por la Asociación Nacional de Protección contra Incendios (National Fire Protection Association, NFPA) y la Sociedad Americana de Ingenieros en Calefacción, Refrigeración y Aire Acondicionado (American Society for Heating, Refrigeration and Air Conditioning Engineers, ASHRAE) y las autoridades de códigos locales.
5. Cuando realice cortes o perforaciones en paredes o techos, no dañe el cableado eléctrico ni otros servicios públicos ocultos.
6. Los ventiladores entubados siempre deben ventilarse hacia el exterior.
7. No utilice esta unidad con un dispositivo de control de velocidad de estado sólido independiente.
8. Para reducir el riesgo de incendios, sólo utilice entubados de metal.

INSTRUCCIONES DE CONEXIÓN A TIERRA

Este artefacto se debe conectar a tierra. En caso de un cortocircuito eléctrico, la conexión a tierra reduce el riesgo de descarga eléctrica al proporcionar un cable de escape para la corriente eléctrica. Este artefacto está equipado con un cable con un alambre de conexión a tierra con una clavija de tierra. La clavija debe conectarse en un tomacorriente que esté instalado y conectado a tierra correctamente.

ADVERTENCIA: la conexión a tierra incorrecta puede crear riesgo de descarga eléctrica.

Consulte a un electricista capacitado si no comprende por completo las instrucciones de conexión a tierra o si tiene dudas sobre si el artefacto está conectado a tierra correctamente.

No utilice un alargador. Si el cable de alimentación eléctrica es demasiado corto, pida a un electricista capacitado que instale un tomacorriente cerca del artefacto.

ADVERTENCIA

PARA REDUCIR EL RIESGO DE INCENDIOS POR GRASA EN LA COCINA:

- A. Nunca deje las unidades de superficie sin cuidado en graduaciones altas. Los derrames por ebullición generan humos y derrames grasosos que pueden encenderse. Caliente aceites lentamente en una graduación baja o media.
- B. Siempre ENCIENDA la campana cuando cocine con mucho calor o cuando flambea alimentos (por ejemplo crepes Suzette, cerezas jubileo, filete flambeado a la pimienta).
- C. Limpie los ventiladores con frecuencia. No se debe dejar acumular grasa en el ventilador ni en el filtro.
- D. Utilice una cacerola del tamaño adecuado. Siempre utilice utensilios de cocina apropiados para el tamaño del elemento de la superficie.

PARA REDUCIR EL RIESGO DE LESIONES PERSONALES EN CASO DE UN INCENDIO POR GRASA EN LA COCINA, RESPETE LO SIGUIENTE: *

1. SOFOQUE LAS LLAMAS con una tapa bien ajustada, una bandeja para hornear o una bandeja metálica y luego apague el quemador. TENGÁ LA PRECAUCIÓN DE EVITAR QUEMADURAS. Si las llamas no se apagan inmediatamente, SALGA Y LLAME A LOS BOMBEROS.
2. NUNCA TOQUE UNA CACEROLA EN LLAMAS: puede quemarse.
3. NO USE AGUA, incluso toallas o repasadores húmedos. Se producirá una explosión de vapor violenta.
4. Utilice un extintor de incendios SÓLO si:
 - A. Sabe que tiene un extintor de incendios Clase ABC y ya sabe utilizarlo.
 - B. El fuego es pequeño y está contenido en el área donde comenzó.
 - C. Se está llamando a los bomberos.
 - D. Puede combatir el incendio de espaldas hacia una salida.

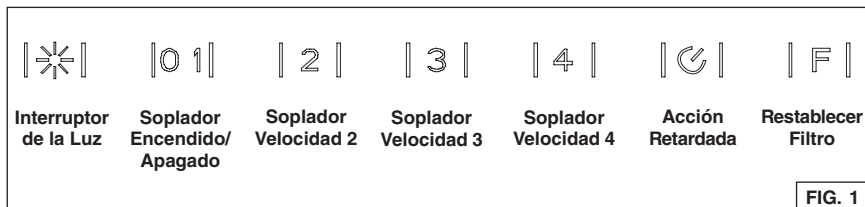
* Según los "Consejos de seguridad en la cocina" publicado por la NFPA.

PRECAUCIÓN

1. Sólo para uso en interiores.
2. Para reducir el riesgo de incendios y eliminar el aire correctamente, asegúrese de dirigir el aire hacia afuera. No ventile el aire de escape en espacios dentro de paredes o techos ni en áticos, sótanos o garajes.
3. Tenga cuidado cuando use agentes de limpieza o detergentes.
4. Evite usar productos alimenticios que produzcan llamas debajo de la campana para cocina.
5. Sólo para uso de ventilación general. No utilice para purgar materiales y vapores explosivos o peligrosos.
6. Para evitar causar daños en el cojinete del motor y que los propulsores queden desbalanceados o ruidosos, mantenga el polvillo de paredes de yeso, polvo de construcción, etc. alejados de la unidad motriz.
7. El motor de la campana tiene relés térmicos que se apagan automáticamente si el motor se sobrecalienta. El motor se reiniciará cuando se enfríe. Si el motor se sigue apagando y reiniciando, realice el mantenimiento de la campana.
8. Para capturar mejor las impurezas de la cocina, la parte inferior de la campana debe tener un espacio de como mínimo 24" y como máximo 30" por encima de la superficie de cocción. Consulte la sección "Instalación del soporte de montaje" para obtener las restricciones de montaje.
9. Se recomienda que haya dos instaladores debido al gran tamaño y peso de esta campana.
10. Este producto está equipado con un termostato que puede iniciar el soplador automáticamente. Para reducir el riesgo de lesiones y evitar conectar la energía accidentalmente, desconecte la energía en el panel de servicio y bloquéelo o etiquételo.
11. Lea la etiqueta de especificación en el producto para obtener más información y requisitos.

FUNCIONAMIENTO

Controles (Fig. 1)



El Interruptor de la Luz enciende y apaga las luces halógenas. Presiónelo una vez para encender las luces. Presiónelo una segunda vez para aumentar el brillo. Presiónelo nuevamente para apagar las luces.

Soplador Encendido/Apagado enciende el soplador a una velocidad baja. Presiónelo una segunda vez para apagar el soplador.

Soplador Velocidad 2 aumenta la velocidad del soplador a media-baja.

Soplador Velocidad 3 aumenta la velocidad del soplador a media-alta.

Soplador Velocidad 4 aumenta la velocidad del soplador a alta.

Acción Retardada activa una función de retardo apagado. Presiónelo una vez para activar la función de retardo apagado de 10 minutos para cualquiera de los ajustes de velocidad del soplador. Presiónelo nuevamente para desactivar la función de retardo apagado.

Restablecer Filtro se enciende cada 30 horas de funcionamiento para indicar que se deben limpiar los filtros. Cuando se limpien o cambien los filtros, presione este interruptor una vez para restablecer el temporizador de 30 horas.

HEAT SENTRY™

La campana está equipada con un termostato HEAT SENTRY™. Este termostato es un dispositivo que encenderá o acelerará el soplador si detecta calor excesivo sobre la superficie de cocción.

- 1) Si el soplador está APAGADO: ENCIENDE el soplador en velocidad ALTA.
- 2) Si el soplador está ENCENDIDO en un ajuste de velocidad bajo: cambia el soplador a velocidad ALTA.

Cuando el nivel de temperatura descienda a normal, el soplador regresará a su ajuste original.

ADVERTENCIA

El termostato HEAT SENTRY puede iniciar el soplador aún si la campana está APAGADA. Cuando sucede esto, es imposible APAGAR el soplador con su interruptor. Si debe detener el soplador, hágalo desde el panel eléctrico principal.

FOCOS HALÓGENOS

Esta campana para cocina necesita dos focos halógenos (Tipo T4, de 120 Voltios, 25 Vatios Máximos, G9 Base).

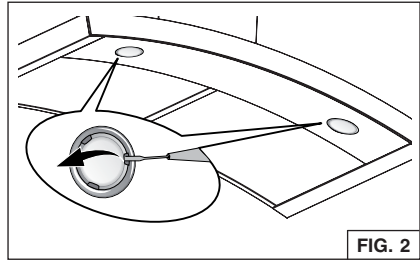
⚠ ADVERTENCIA: siempre desconecte el suministro eléctrico antes de realizar cualquier operación en el artefacto.

Para cambiar los focos:

1. Abra la tapa haciendo palanca desde las ranuras correspondientes. Fig. 2.
2. Retire los focos tirando de los costados. (NO LOS HAGA GIRAR.)

⚠ PRECAUCIÓN: los focos pueden estar calientes.

3. Reemplácelos por focos halógenos del Tipo T4, de 120 Voltios, 25 Vatios Máximos, G9 Base. No toque los focos de repuesto con las manos sin protección.



LIMPIEZA Y MANTENIMIENTO

El mantenimiento adecuado de la campana para cocina garantizará el rendimiento correcto de la unidad.

Motor

El motor está constantemente lubricado y nunca necesita engrase. Si los cojinetes del motor hacen un ruido excesivo o inusual, reemplace el motor con el mismo motor de servicio. También se debe reemplazar el propulsor.

Filtro de grasas

Se debe limpiar el filtro de grasas regularmente. Utilice una solución de detergente tibia. El filtro de grasas es apto para lavavajillas.

Limpie los filtros que sean completamente de metal del lavavajillas con un detergente sin fosfato. Es posible que se produzca una decoloración del filtro si se usan detergentes con fosfato o como resultado del estado del agua local, pero esto no afectará el rendimiento del filtro. Esta decoloración no está cubierta por la garantía.

Consulte la sección "INSTALACIÓN DE FILTROS" para obtener instrucciones de extracción e instalación.

Filtro de recirculación sin entubar

El filtro de recirculación sin entubar se debe cambiar cada 6 meses. Reemplácelo más seguido si su estilo de cocina produce grasa adicional, como frituras y cocina en wok. Consulte la sección "INSTALACIÓN DE FILTROS" para obtener instrucciones de extracción e instalación.

Limpieza del acero inoxidable

LO QUE SE DEBE HACER:

- limpiar regularmente con un paño limpio o un trapo empapado con agua tibia y jabón suave o detergente líquido.
- limpiar siempre en la dirección de las líneas pulidas originales.
- siempre enjuagar bien con agua limpia (2 ó 3 veces) después de la limpieza. secar con un trapo por completo.
- también se puede utilizar un limpiador de acero inoxidable doméstico.

LO QUE NO SE DEBE HACER:

- usar cualquier esponja de acero o acero inoxidable o cualquier raspador para eliminar cualquier suciedad persistente.
- usar limpiadores agresivos o abrasivos.
- permitir que se acumule suciedad.
- dejar que el polvo de yeso o cualquier otro residuo de construcción alcance la campana. durante una construcción/renovación, cubrir la campana para cocina para asegurarse de que el polvo no se pegue en la superficie de acero inoxidable.

Cuando elija un detergente, evite lo siguiente:

- todos los limpiadores que contienen lejía, ya que atacarán el acero inoxidable.
- todos los productos que contienen: cloruro, fluoruro, yoduro o bromuro, porque deteriorarán las superficies rápidamente.
- todos los productos combustibles usados para limpiar, como acetona, alcohol, éter, benzol, etc., puesto que son altamente explosivos y nunca se deben usar cerca de la cocina.

PREPARACIÓN DE LA CAMPANA

Desembale la campana y revise el contenido.

Debe recibir:

- 1 - Campana
- 1 - Conjunto de conducto de humo decorativo
- 1 - Bolsa de piezas que contiene:
 - 1 - Soporte de montaje
 - 1 - Collarín de descarga
 - 1 - Soporte de montaje del conducto de humo
 - 8 - Tornillos de montaje (Cabeza troncocónica 4.8 x 38 mm)
 - 4 - Tornillos de montaje (Cabeza troncocónica 3.9 x 9.5 mm)
 - 2 - Tornillos de montaje (Cabeza plana 3.9 x 6 mm)
 - 8 - Anclajes para paredes de yeso
- 1 - Instrucciones de instalación

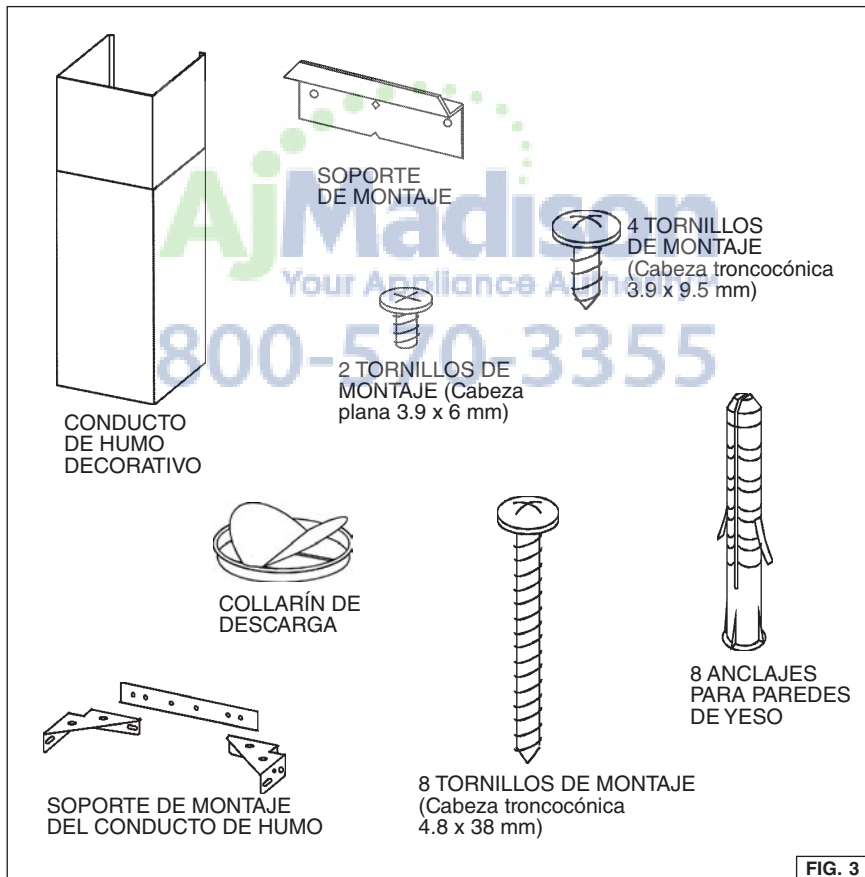


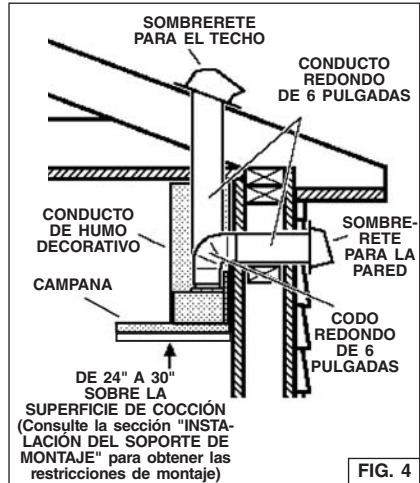
FIG. 3

INSTALACIÓN DE LOS ENTUBADOS

SÓLO CAMPANAS ENTUBADAS

PRECAUCIÓN: para reducir el riesgo de incendios, sólo utilice entubados de metal.

1. Decida si los entubados irán entre la campana y el exterior. Fig. 4.
2. Un tendido de conducto corto y recto permitirá que la campana funcione con la mayor eficiencia.
3. Los tendidos de conductos largos, los codos y las transiciones reducirán el rendimiento de la campana. Utilice la menor cantidad posible de estos. Es posible que se necesiten entubados para mejorar el rendimiento con tendidos de conductos más largos.
4. Instale un sombrerete para techo o pared. Conecte un entubado de metal redondo en el sombrerete y trabaje hacia atrás, hacia la ubicación de la campana. Utilice cinta adhesiva para sellar las juntas entre las secciones del entubado.

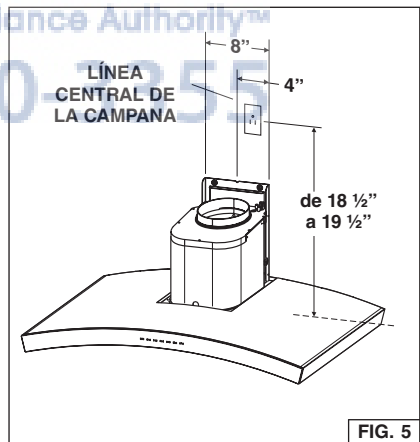


INSTALACIÓN DEL CABLEADO ELÉCTRICO

CAMPANAS ENTUBADAS Y SIN ENTUBAR

⚠️ ADVERTENCIA: una persona capacitada debe realizar el trabajo de instalación del cableado eléctrico conforme a los códigos y estándares correspondientes. Esta campana para cocina debe estar correctamente conectada a tierra. Desconecte la energía eléctrica en la entrada de servicio antes de instalar el cableado.

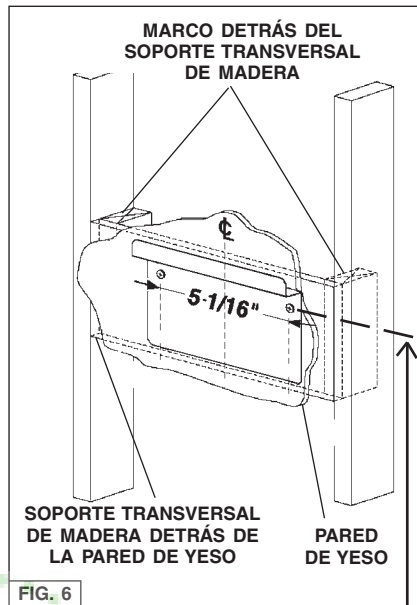
1. Planifique dónde ubicará la campana encima de la cocina. Consulte la sección "INSTALACIÓN DEL SOPORTE DE MONTAJE" para obtener las opciones de altura para el montaje de la campana.
2. Instale una caja de salida estándar para pared de 2" x 4" y un receptáculo conectado a tierra de 3 patas, 125 voltios, 15 amperes. Fig. 5.
3. Instale el centro de la caja de salida para pared de 18 ½" a 19 ½" por encima de la parte inferior de la campana.
4. Coloque la caja y el receptáculo dentro de los límites que se muestran, descentrados del entubado (para dejar margen para el enchufe del cable de alimentación y el conducto de humo).



INSTALACIÓN DEL SOPORTE DE MONTAJE

CAMPANAS ENTUBADAS y SIN ENTUBAR

1. Construya un **marco** de madera para la pared que esté **nivelado** con la superficie interior de los puntales de la pared. Fig. 6. Asegúrese de lo siguiente:
 - a) que el marco esté centrado sobre el lugar de instalación.
 - b) la altura del marco permitirá fijar el **soporte de montaje** al marco dentro de las dimensiones que se muestran.
2. **Una vez terminada la superficie de la pared**, fije el soporte de montaje al marco con (2) tornillos de montaje de 4.8 x 38 mm. Consulte la siguiente tabla para obtener la ubicación del soporte de montaje.



ALTURA DEL TECHO	MÉTODO DE ENTUBADO	DISTANCIA DE 36" DE ALTURA DE LA CAMPANA SOBRE LA COCINA (consulte la siguiente nota)						
		24"	25"	26"	27"	28"	29"	30"
		UBICACIÓN DEL SOPORTE DE MONTAJE A 36" DE ALTURA SOBRE LA COCINA						
8 PIES	ENTUBADA	38-3/8"	39-3/8"	40-3/8"	41-3/8"	42-3/8"	43-3/8"	44-3/8"
	SIN ENTUBAR	38-3/8"	39-3/8"	40-3/8"	41-3/8"			
9 PIES	ENTUBADA O SIN ENTUBAR	38-3/8"	39-3/8"	40-3/8"	41-3/8"	42-3/8"	43-3/8"	44-3/8"

Nota: la distancia mínima de la campana sobre la cocina no debe ser inferior a 24". se recomienda enfáticamente un máximo de 30" sobre la cocina para capturar mejor las impurezas de la cocina. las distancias de más de 30" quedan a discreción del instalador y el usuario. También dependen de la altura del techo y la longitud del conducto de humo.

INSTALACIÓN DEL SOPORTE DE MONTAJE DEL CONDUCTO DE HUMO

CAMPANAS ENTUBADAS Y SIN ENTUBAR

1. Arme el soporte de montaje del conducto de humo, ajustando el ancho exterior como se muestra. Fig. 7.
2. **Con cuidado** centre el soporte de montaje directamente sobre el lugar de la campana para cocina.
3. Fije el conjunto del soporte en el techo con (2) tornillos de montaje de 4.8 x 38 mm y anclajes para paredes de yeso. Fig. 8. Asegúrese de que el soporte esté contra la esquina, apretado contra la pared y centrado sobre la campana.

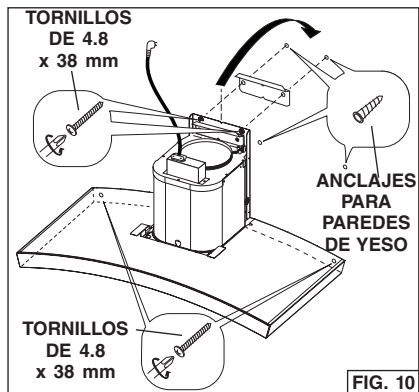
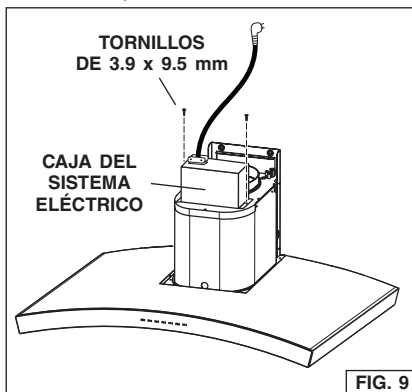


INSTALACIÓN DE LA CAMPANA

Nota: retire la película protectora de plástico de todas las superficies exteriores, conductos de humo decorativos y filtros antes de la instalación final.

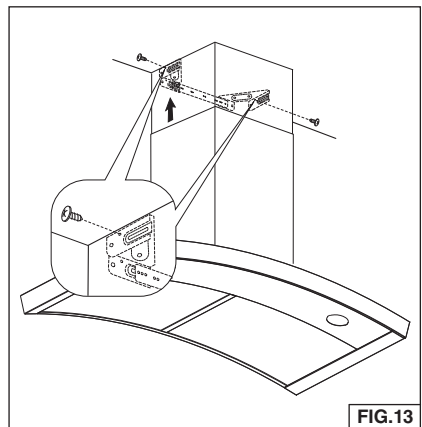
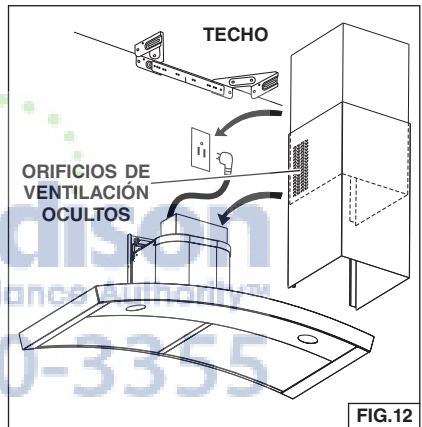
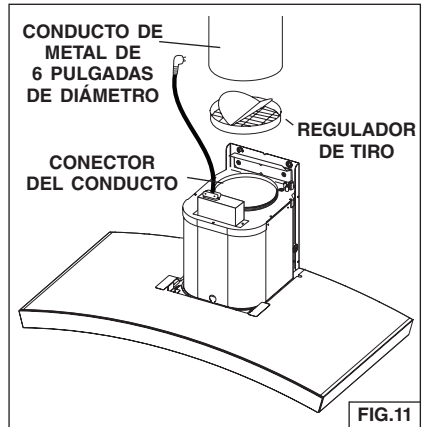
INSTALACIÓN DE CAMPANAS ENTUBADAS y SIN ENTUBAR

1. Retire la cinta de la caja del sistema eléctrico y fije con (2) tornillos de 3.9 x 9.5 mm. Fig. 9.
2. Instale la campana en el soporte de montaje de la pared. Asegúrese de que la campana esté nivelada con el piso. Fig. 10.
3. Marque e instale (4) anclajes para pared de yeso adicionales y tornillos como se muestra.
4. Fije la campana a la pared con (4) tornillos de montaje de 4.8 x 38 mm.



SÓLO INSTALACIÓN ENTUBADA

1. Presione el regulador de tiro sobre el conector del conducto en la campana y coloque cinta adhesiva de aluminio en la junta. Fig. 11.
2. Realice un tendido de canalización de metal de 6 pulgadas de diámetro en la ubicación exterior.
3. Instale un sombrero para techo o pared adecuado con el regulador de tiro para purgar el aire al exterior.
4. Coloque cinta adhesiva de aluminio en todas las juntas.
5. Enchufe el cable de alimentación en el tomacorriente de pared.
6. Instale los conductos de humo decorativos superior e inferior en la campana de la cocina.
 - Los orificios de ventilación están ocultos en techos de 8 pies.
 - Los orificios de ventilación están expuestos en techos de 9 pies.
7. Fije el conducto de humo superior al soporte de montaje con (2) tornillos de 3.9 x 6 mm.



SÓLO INSTALACIÓN SIN ENTUBAR

Nota: adquiera el Juego de Recirculación Sin entubar Modelo ANKWC35.

1. No instale el collarín de descarga suministrado con la campana para cocina.
2. Fije el adaptador de 5" a 6" a la descarga del soplador y coloque cinta adhesiva de aluminio en la junta. Fig. 14.
3. Instale la cámara de distribución en el conducto de humo decorativo superior con los (4) tornillos de 3.4 x 15 mm suministrados, tal como se muestra. Fig. 15.
4. Fije el entubado de 5 pulgadas expansible a la cámara de distribución y coloque cinta adhesiva de aluminio en la junta. Fig. 16.

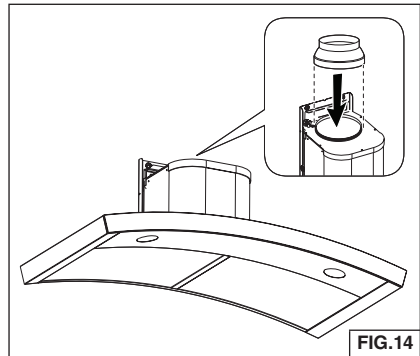


FIG.14

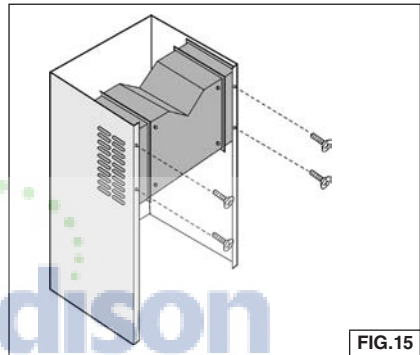


FIG.15

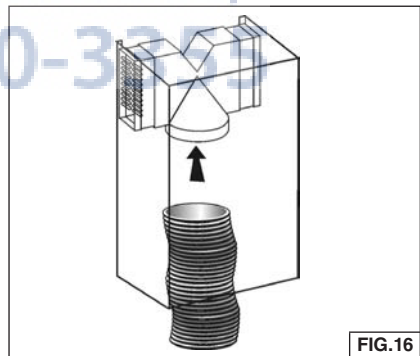
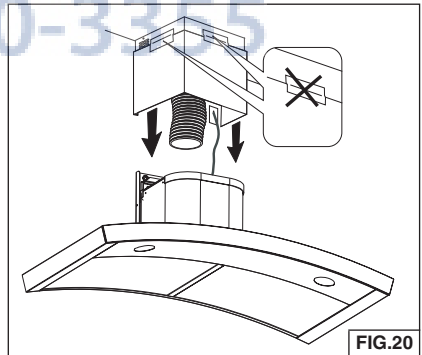
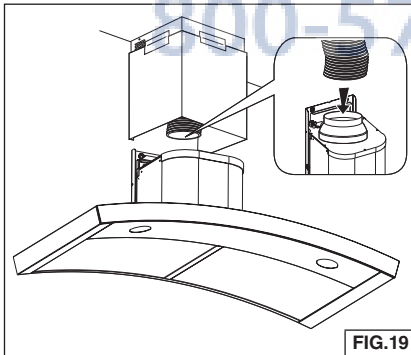
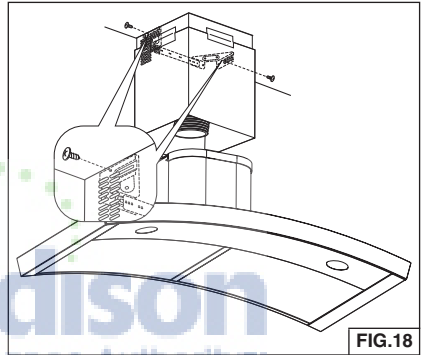
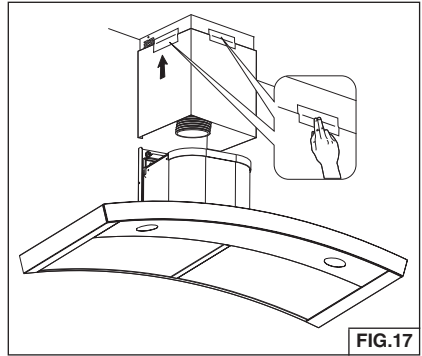


FIG.16

5. Fije el conducto de humo superior e inferior con cinta adhesiva de manera temporaria, como se muestra. Fig. 17.
6. Eleve el conducto de humo a su posición sobre la campana. Fije el conducto de humo superior al soporte de montaje con (2) tornillos de 3.9 x 6 mm. Fig. 18.
7. Estire el conducto expansible, fíjelo al adaptador de 5" a 6" y coloque cinta adhesiva en las juntas. Fig. 19.
8. Enchufe el cable de alimentación en el tomacorriente de pared.
9. Retire la cinta de los conductos de humo y bájelos a su posición en la campana. Fig. 20.





 Your Appliance Authority™

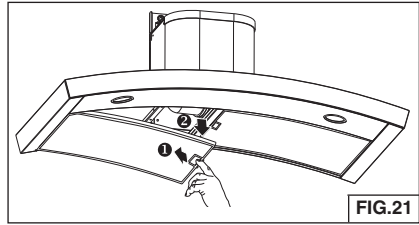
 800-570-3355

INSTALACIÓN DE FILTROS

CAMPANAS ENTUBADAS Y SIN ENTUBAR

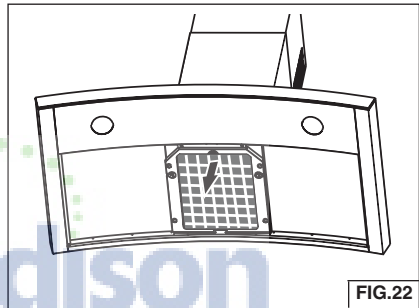
1. Para retirar el filtro de GRASAS, tire de la lengüeta del pestillo para desprender el filtro de la campana. Incline el filtro hacia abajo y retírelo. Fig. 21.
2. Para instalar el filtro de GRASAS, alinee las lengüetas posteriores del filtro con las ranuras de la campana. Tire de la lengüeta del pestillo, coloque el filtro en su posición y libérela. Asegúrese de que el filtro quede bien conectado después de la instalación. Fig. 21.

NOTA: antes de usar el filtro, elimine la película protectora del marco.



SÓLO CAMPANAS SIN ENTUBAR

1. Para retirar el filtro de CARBÓN, sujete y presione la lengüeta del filtro hacia la parte posterior de la campana. Tire del filtro hacia abajo para desprenderlo de las lengüetas posteriores del filtro. Fig. 22.
2. Para instalar el filtro de CARBÓN, alinee el filtro en la abertura rectangular. Presione el filtro contra los resortes en la parte posterior de la campana y colóquelo en su lugar. Asegúrese de que el filtro esté bien conectado después del montaje.
3. Una vez que haya instalado del filtro de carbón, instale el filtro de GRASAS.



GARANTIA

GARANTIA LIMITADA POR UN AÑO PARA LOS PRODUCTOS BEST

Broan-NuTone LLC (Broan-NuTone) garantiza al consumidor comprador original de productos Best que dichos productos carecerán de defectos en materiales o en mano de obra por un período de un año a partir de la fecha original de compra. NO EXISTEN OTRAS GARANTIAS, EXPLÍCITAS O IMPLÍCITAS, INCLUYENDO, PERO NO LIMITADAS A, GARANTIAS IMPLÍCITAS DE COMERCIALIZACION O APTITUD PARA UN PROPOSITO PARTICULAR.

Durante el período de un año, y a su propio criterio, Broan-NuTone reparará o reemplazará, sin costo alguno cualquier producto o pieza que se encuentre defectuosa bajo condiciones normales de servicio y uso.

LA PRESENTE GARANTÍA NO CUBRE LOS TUBOS FLUORESCENTES NI SUS ARRANCADORES, BOMBILLAS DE HALÓGENO E INCANDESCENTES, FUSIBLES, CONDUCTOS, FILTROS, TAPONES DE TECHO O PAREDES Y DEMÁS ACCESORIOS PARA CONDUCTOS. Esta garantía no cubre (a) mantenimiento y servicio normales o (b) cualquier producto o piezas que hayan sido utilizadas de forma errónea, negligente, que hayan causado un accidente, o que hayan sido reparadas o mantenidas inapropiadamente (por otras compañías que no sean Broan-NuTone), instalación defectuosa, o instalación contraria a las instrucciones de instalación recomendadas.

La duración de cualquier garantía implícita se limita a un período de un año como se especifica en la garantía expresa. Algunos estados no permiten limitaciones en cuanto al tiempo de expiración de una garantía implícita, por lo que la limitación antes mencionada puede no aplicarse a usted.

LA OBLIGACION DE BROAN-NUTONE DE REPARAR O REEMPLAZAR, SIGUIENDO EL CRITERIO DE BROAN-NUTONE, DEBERA SER EL ÚNICO Y EXCLUSIVO RECURSO LEGAL DEL COMPRADOR BAJO ESTA GARANTIA. BROAN-NUTONE NO SERÁ RESPONSABLE POR DAÑOS INCIDENTALES, CONSIGUIENTES, O POR DAÑOS ESPECIALES QUE SURJAN A RAÍZ DEL USO O DESEMPEÑO DEL PRODUCTO. Algunos estados no permiten la exclusión o limitación de daños incidentales o consiguientes, por lo que la limitación antes mencionada puede no aplicarse a usted. Esta garantía le proporciona derechos legales específicos, y usted puede también tener otros derechos, los cuales varían de estado a estado. Esta garantía reemplaza todas las garantías anteriores.

Para calificar en la garantía de servicio, usted debe (a) notificar a Broan-NuTone al domicilio o al número de teléfono que se menciona abajo, (b) dar el número del modelo y la identificación de la pieza, y (c) describir la naturaleza de cualquier defecto en el producto o pieza. En el momento de solicitar servicio cubierto por la garantía, usted debe de presentar evidencia de la fecha original de compra.

En EE. UU. - BEST® Hartford, Wisconsin 800-558-1711

En Canadá - BEST® Drummondville, QC 866-737-7770

www.BestRangeHoods.com

PIEZAS DE REPUESTO

Nº DE REF.	Nº DE PIEZA	DESCRIPCIÓN
6	B02000191	RESORTE
9	B08087823	FILTRO DE GRASAS
14	B02300233	CONDENSADOR
26	B02300890	FOCO
37	B02300804	PERILLA
38	B03295595	CAJA DEL TABLERO DEL CIRCUITO ELÉCTRICO IMPRESO
45	BW0000040	SOPLADOR
48	B02310260	MOTOR (SENTIDO HORARIO)
49	B03295071	VENTILADOR (SENTIDO HORARIO)
53	B03204177	ARANDELA DE CAUCHO
58	B03295018	REDUCCIÓN DE SALIDA
60	B02300249	CABLE DE ALIMENTACIÓN
62	B08091462	SOPORTE DEL SOPLADOR
64	BE3350989	SOPORTE INFERIOR
67	B02300957	CABLES
86	B08088378	BRIDA DE SALIDA
107	B03202287	TOPE DE CABLE
118	BE3345965	EXTENSIÓN DEL CONDUCTO INFERIOR
119	BE3345966	EXTENSIÓN DEL CONDUCTO SUPERIOR
120	B08091367	SOPORTE SUPERIOR DEL CONDUCTO TELESCÓPICO
122	B08088369	ELEVADOR
147	BR2300132	ABRAZADERA DE UNIÓN
166	B08080853	TABLERO DEL CIRCUITO ELÉCTRICO IMPRESO
167	B03295596	TAPA DE LA CAJA ELÉCTRICA
195	BE3351078	SOPORTE
228	B08080320	TABLERO DEL CIRCUITO IMPRESO DE LOS CONTROLES
332	B03295009	TAPA
407	BE3343336	SOPORTE DE MONTAJE DEL SOPLADOR
472	BE3351077	SOPORTE
474	B02300918	LÁMPARA HALÓGENA
503	B02011452	CONDUCTO EXPANDIBLE
AQI	B06103882	CONJUNTO DE LA CAJA DE INTERRUPTORES (INCLUYE Nº DE REFERENCIA 228)
*	B06002080	CONJUNTO DE SOPLADO (INCLUYE Nº DE REFERENCIA 45, 48, 49, 53)
*	B080810501	EQUIPO DE AJUSTE (INCLUYE Nº DE REFERENCIA 86, 120)
*	B06145119	CONJUNTO DE INSTALACIÓN ELÉCTRICA (INCLUYE Nº DE REFERENCIA 14, 38, 60, 67, 147, 166, 167, AQI)

PIEZAS DE REPUESTO

