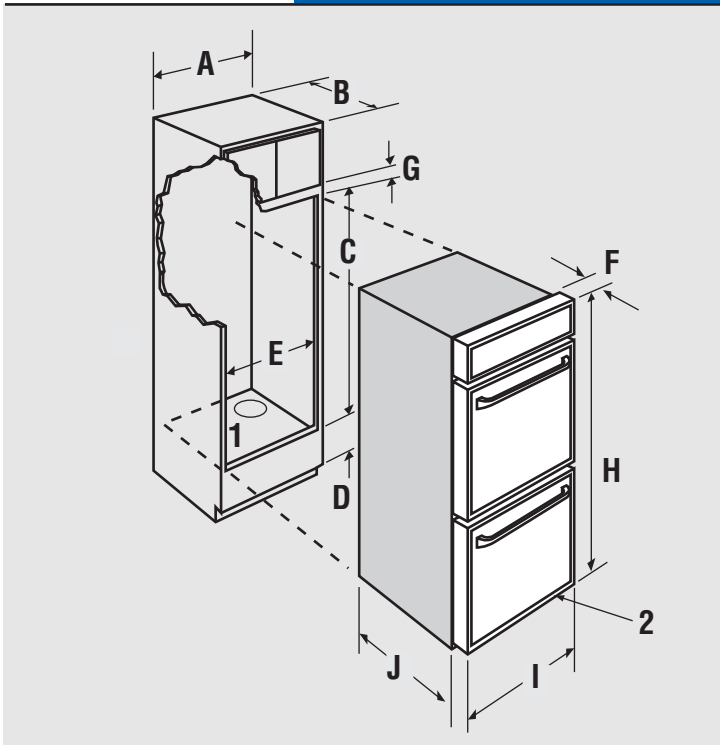


24"

SINGLE GAS WALL OVEN WITH BROILER



CWG3600

Dimensions

■	Inches	Centimeters
A	24 minimum	61.0
B	24 minimum	61.0
C	45 3/8	115.3
D	17 minimum	43.2
E	22 minimum	55.9 minimum
F	1 5/8	4.1
G	1 1/2 minimum	3.8 minimum
H	46 5/16	117.6
I	23 7/8	60.6
J	22 5/8	57.5

Notes:

1. 5/8" plywood floor (must support 250 lbs.).
2. Do not block air intake slots along sides and bottom of oven.

Electrical Requirements: 120 Volts, 60 Hz. VAC.

These appliances have been designed in accordance with the requirements of various safety agencies and comply with the maximum allowable wood cabinet temperatures of 194 degrees F. If these appliances are installed with cabinets that have a lower working temperature than 194 degrees F, discoloration, delamination or melting may occur.

Important: Because of continuing product improvements, Maytag reserves the right to change specifications without notice. Dimensional specifications are provided for planning purposes only. For complete details see installation instructions that accompany each product before selecting cabinetry, making cutouts or beginning installation.