



THE SIGN OF A GREAT COOK®

www.jennair.com

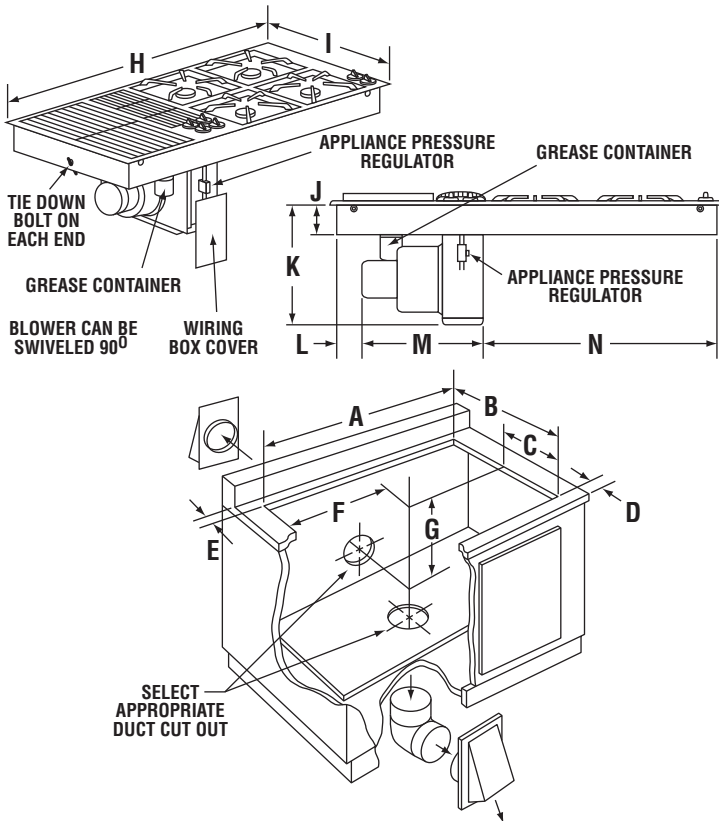
45"

CONVERTIBLE GAS GRILL COOKTOP

JGD8345AD

Dimensions

■	Inches	Centimeters
A	43 1/4 ± 1/16	109.9 ± .2
B	21 ± 1/16	53.3 ± .2
C	7 9/16	19.2
D	1 7/8 minimum	4.8 minimum
E	15/16 minimum	2.4 minimum
F	9 3/8	23.8
G	13	33.0
H	45	114.3
I	21 3/4	55.2
J ¹	3 1/2 minimum	8.9 minimum
K	13 13/16	35.1
L ²	2 minimum	5.1 minimum
M	13 3/4	34.9
N	26 3/4	68.0



Notes:

1. Measured from top of countertop, not top of unit.
2. Provide 2" min. (5.08 cm) cabinet clearance to motor for cooling purposes.
3. Side Clearance - Grills installed near a side wall must allow a minimum clearance of 8" (20.32 cm).
4. Where possible, 6" (15.24 cm) is recommended for motor/blower service.
5. Access must be provided to remove and empty grease container(s).
6. Chamfer all exposed edges of decorative laminate to prevent damage from chipping.
7. Radius corners of cutout and file to insure smooth edges and prevent corner cracking. Recommend 1/4" or 3/8" diameter drill in each corner.
8. Rough edges, inside corners which have not been rounded and forced fits can contribute to cracking of the countertop laminate.
9. Countertop must be supported within 3" of cutout.
10. Cooktop can be vented to the equivalent of 60 feet. See installation instructions for downdraft installation.
11. Convertible to LP gas, components supplied with cooktop.
12. Electrical Requirements: Provide for 110/120 Volt, A.C., 15 amp, 60 Hz electrical system.
13. Overhead Cabinetry - Allow 30" (76.2 cm) minimum vertical clearance between cooking surface and construction above the appliance. Allow 13" (33.02 cm) maximum depth of cabinets installed above cooking surface.

Important: Because of continuing product improvements, Jenn-Air reserves the right to change specifications without notice. Dimensional specifications are provided for planning purposes only. FOR COMPLETE DETAILS, SEE INSTALLATION INSTRUCTIONS PACKED WITH PRODUCT BEFORE SELECTING CABINETRY, MAKING CUTOUTS OR BEGINNING INSTALLATION.