



THE SIGN OF A GREAT COOK®

www.jennair.com

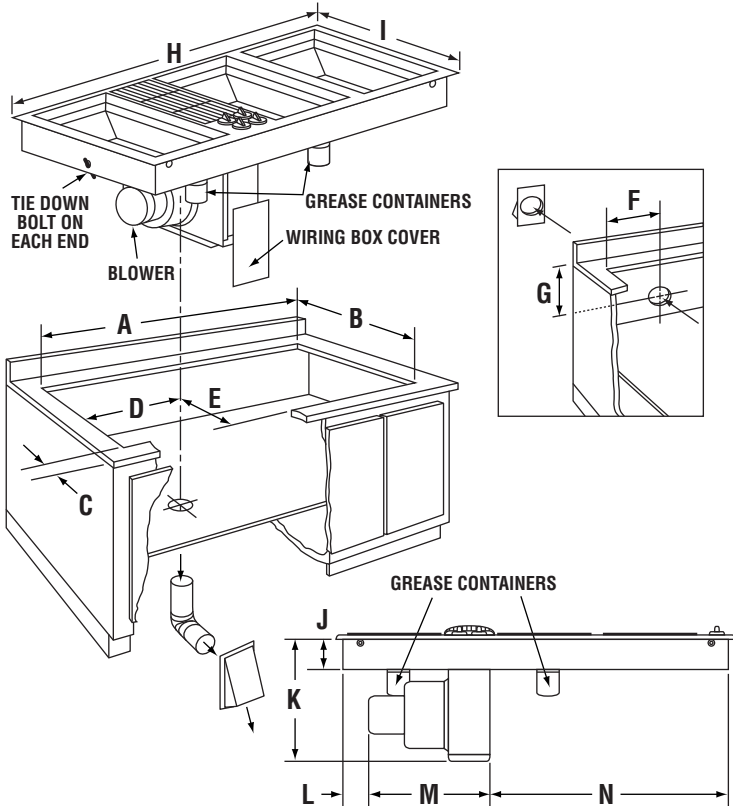
45"

ELECTRIC CONVERTIBLE COOKTOP

JED8345AD

Dimensions

■	Inches	Centimeters
A	43 1/4 ± 1/16	109.9 ± .2
B	21 ± 1/16	53.3 ± .2
C	1 7/8 minimum	4.8 minimum
D	9 3/8	23.8
E	7 9/16	19.2
F	9 3/8	23.8
G	13	33.0
H	45	114.3
I	21 3/4	55.2
J ¹	3 1/2 minimum	8.9 minimum
K	13 13/16	35.1
L ²	2 minimum	5.1 minimum
M	13 3/4	34.9
N	26 3/4	68.0



Notes:

1. Measured from top of countertop, not top of unit.
2. Provide 2" min. (5.08 cm) cabinet clearance to motor for cooling purposes.
3. Access must be provided to remove and empty grease containers. 6 1/4" (15.9 cm) is required for removal.
4. Side Clearance - Grill models installed near a side wall must allow a minimum clearance of 6" (15.24 cm) for maximum performance.
5. Where possible, 6" (15.24 cm) is recommended for motor/blower service.
6. Chamfer all exposed edges of decorative laminate to prevent damage from chipping.
7. Radius corners of cutout and file to insure smooth edges and prevent corner cracking. Recommend 1/4" or 3/8" diameter drill in each corner.
8. Rough edges, inside corners which have not been rounded and forced fits can contribute to cracking of the countertop laminate.
9. Countertop must be supported within 3" of cutout.
10. Cooktop can be vented to the equivalent of 60 feet. See installation instructions for downdraft installation.
11. Electrical Requirements: Provide for three-wire, single phase, A.C. 120/240 volt 60 cycle electrical system.
12. Overhead Cabinetry - Provide 30" (76.2 cm) minimum clearance between the top of the cooking platform and the bottom of an unprotected wood or metal cabinet.

Important: Because of continuing product improvements, Jenn-Air reserves the right to change specifications without notice. Dimensional specifications are provided for planning purposes only. FOR COMPLETE DETAILS, SEE INSTALLATION INSTRUCTIONS PACKED WITH PRODUCT BEFORE SELECTING CABINETRY, MAKING CUTOUTS OR BEGINNING INSTALLATION.