

Diamante Isola

Designer Collection

a brilliantly cut gem

- island canopy rangehood
- sleek styling
- 600 cfm PRO motor
- Silent Kit noise reduction
- 4 halogen lights with dimmer
- 4 Speed LED display control
- 30 minute auto off timer
- stainless steel baffle filters
- modified pro depth
- convertible to ductless*
- Easy Cube motor access
- one range: 3.5 - 6.5
- 6" round duct
- Uses 25% less energy than old model

* it is highly recommended that professional style cooking always be vented to the outside.



A streamlined shape combined with traditional styling makes the Diamante Isola an updated alternative in canopy ventilation. To add subtle sparkle, the corners of the canopy and the chimney are angled in a diamond-like cut. The quiet, 600 cfm PRO motor is located inside the chimney, allowing for a lower profile canopy and room for a view.

Size Color	Model #
36 x 28 Stainless	DIAMIS36SS

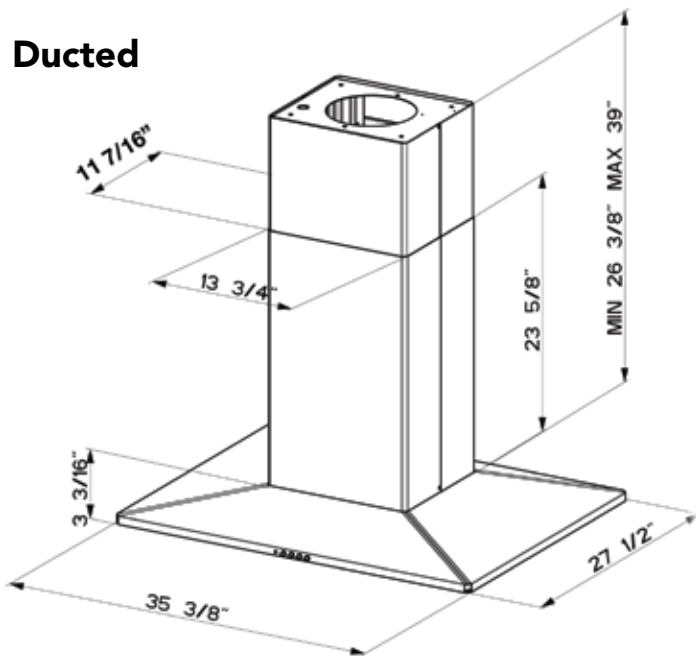
a c c e s s o r i e s	High Ceiling Chimney Kit	
	Extends the island chimney for high ceilings	
	Stainless	HIGHDIAMIS
	Ductless Conversion Kit	
	Includes: • Lower Chimney with holes for ducting • Ductless Diverter Assembly • Vent Grates • Charcoal Filter	
	Stainless	DUCTDIAMIS
	Replacement Charcoal Filter	
		FILTER2



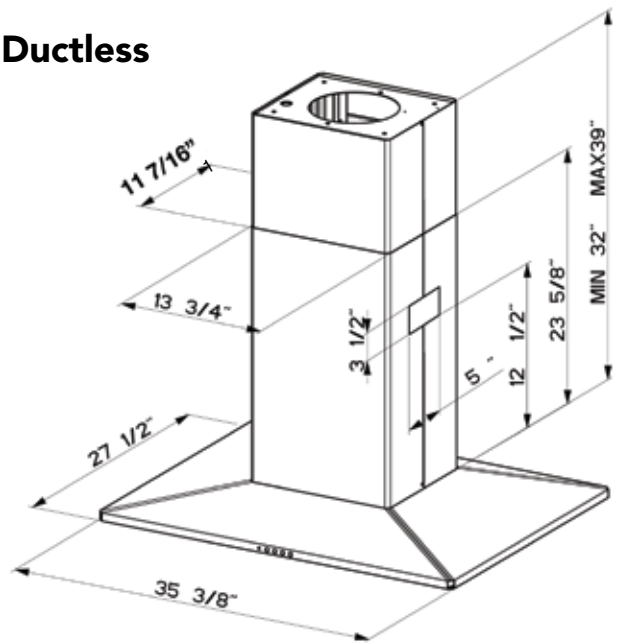
NOW WITH A NEW LED DISPLAY WITH ELECTRONIC TOUCH CONTROLS, 2 LEVEL LIGHTING, 30 MINUTE AUTO SHUT OFF, AND 10 MINUTE INTENSIVE SPEED CONTROL

Dimensional Diagrams

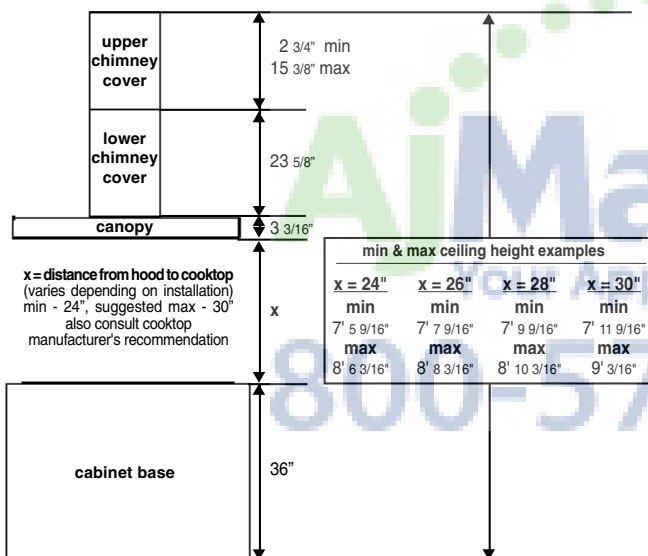
Ducted



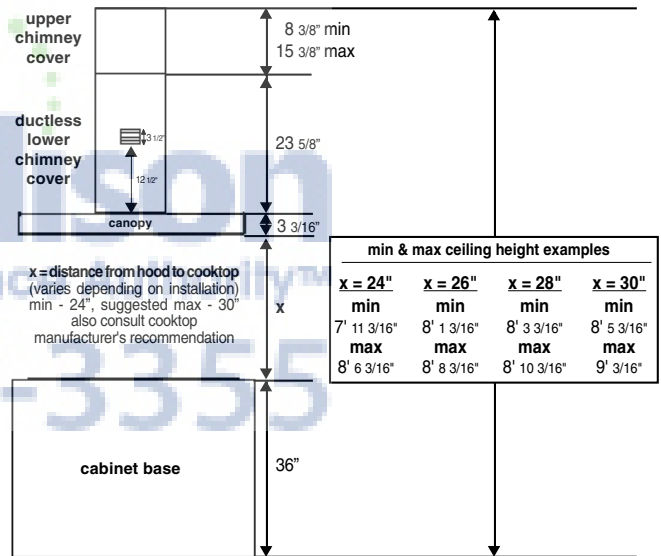
Ductless



Ducted



Ductless

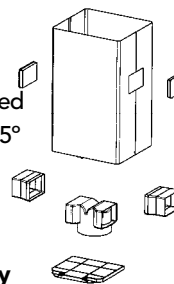


The ducted Diamante Isola chimney can be adjusted for ceilings between 7' 5 9/16" and 9' 3/16" depending on the distance between the bottom of the hood and the cooktop (**distance x in above DUCTED diagram**). The ductless Diamante Isola chimney can be adjusted for ceilings between 7' 11 3/16" and 9' 3/16" depending on the distance between the bottom of the hood and the cooktop (**distance x in above DUCTLESS diagram**). For higher ceiling installations, the **High Ceiling Chimney Kit** includes an additional support structure which adds 27 1/2" to the various ceiling heights in the figures above.

Pre-Planning Your Installation - Important: Consult the installation instructions before you begin installing this rangehood.

Make your ductrun as straight and short as possible. The ductrun should not exceed 35 equivalent feet if ducted with the required minimum of 6" round duct. Count 45° angles as 3 feet, 90° elbows as 5 feet, and 90° flat elbows as 12 feet.

For best results, use no more than three 90° elbows. Make sure that there is a minimum of 24" of straight duct between elbows if more than one is used. Do not install two elbows together. If you must elbow right away, do it as far away from the hood's exhaust opening as possible.



Ductless Installations*

For installations where ductwork is impossible or highly impractical, a **Ductless Conversion Kit** is available. A charcoal filter, which attaches under the blower assembly, absorbs smoke and odors. A ductless diverter assembly directs the air out to a lower chimney with vent grates cut into the sides.

*** it is highly recommended that professional style cooking always be vented to the outside.**

WARNING! Product specifications are subject to change without notification. Consult the installation instructions before you begin installing this rangehood.