

# Diamante Isola

a brilliantly cut gem

- island canopy rangehood
- sleek styling
- 600 cfm PRO motor
- Silent Kit noise reduction
- 4 halogen lights
- 3 speed push button controls
- stainless steel baffle filters
- modified pro depth
- convertible to ductless\*
- Easy Cube motor access
- some range: 3.5 - 6.5
- 6" round duct

\* it is highly recommended that professional style cooking always be vented to the outside.



Size/Color/Model # \_\_\_\_\_

36 x 28 Stainless 630001429

DESIGNER



*A streamlined shape combined with traditional styling makes the Diamante Isola an updated alternative in canopy ventilation. To add subtle sparkle, the corners of the canopy and the chimney are angled in a diamond-like cut. The quiet, 600 cfm PRO motor is located inside the chimney, allowing for a lower profile canopy and room for a view.*



pro-style baffle filters with European flair and a built-in grease control system; bright halogen lights encircled by a stainless trim

## a High Ceiling Chimney Kit

C Extends the island chimney for high ceilings  
 C Stainless 620000558

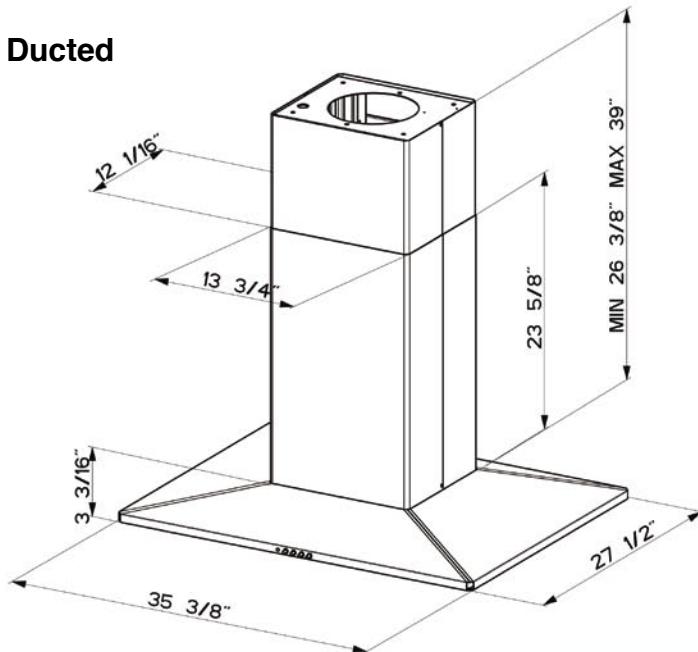
## S Ductless Conversion Kit

S Includes: • Lower Chimney with holes for ducting  
 O • Ductless Diverter Assembly • Vent Grates  
 r • Charcoal Filter  
 i Stainless 620000557

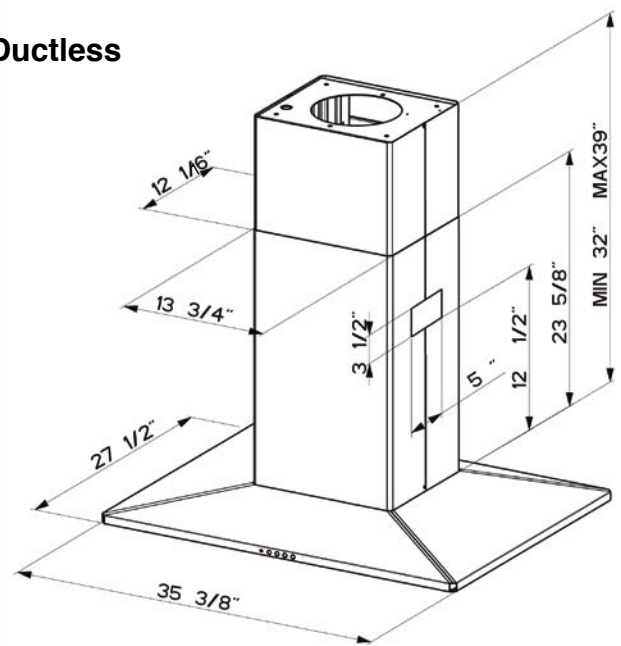
e Replacement Charcoal Filter 620000041

# Dimensional Diagrams

## Ducted

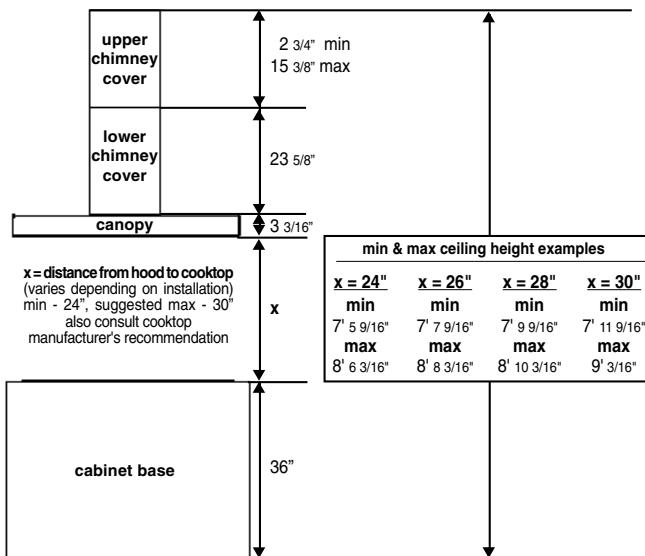


## Ductless

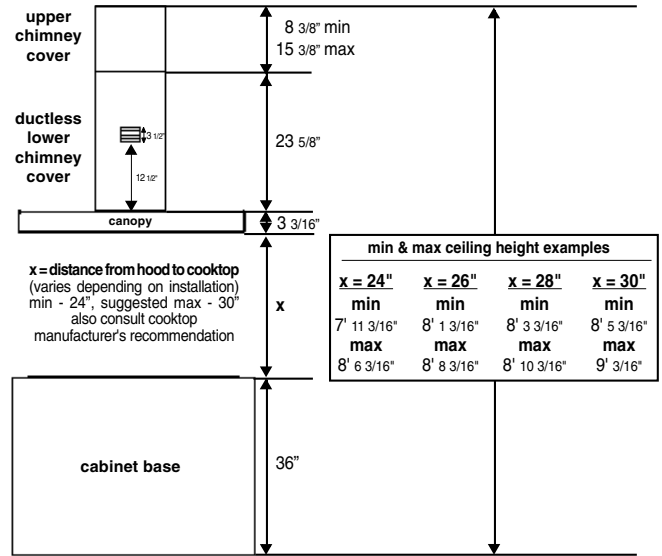


**Pre-Planning Your Installation - Important:** Consult the installation instructions before you begin installing this rangehood.

## Ducted



## Ductless



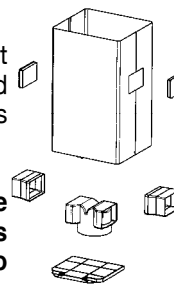
The ducted Diamante Isola chimney can be adjusted for ceilings between 7' 5 9/16" and 9' 3/16" depending on the distance between the bottom of the hood and the cooktop (**distance x in above DUCTED diagram**). The ductless Diamante Isola chimney can be adjusted for ceilings between 7' 11 3/16" and 9' 3/16" depending on the distance between the bottom of the hood and the cooktop (**distance x in above DUCTLESS diagram**). For higher ceiling installations, the **High Ceiling Chimney Kit** includes an additional support structure which adds 27 1/2" to the various ceiling heights in the figures above.

**Pre-Planning Your Installation - Important:** Consult the installation instructions before you begin installing this rangehood.

Make your ductrun as straight and short as possible. The ductrun should not exceed 35 equivalent feet if ducted with the required minimum of 6" round duct. Count 45° angles as 3 feet, 90° elbows as 5 feet, and 90° flat elbows as 12 feet.

For best results, use no more than three 90° elbows. Make sure that there is a **minimum** of 24" of straight duct between elbows if more than one is used. **Do not install two elbows together. If you must elbow right away, do it as far away from the hood's exhaust opening as possible.**

**WARNING!** Product specifications are subject to change without notification. Consult the installation instructions before you begin installing this rangehood.



## Ductless Installations\*

For installations where ductwork is impossible or highly impractical, a **Ductless Conversion Kit** is available. A charcoal filter, which attaches under the blower assembly, absorbs smoke and odors. A ductless diverter assembly directs the air out to a lower chimney with vent grates cut into the sides.

\* it is highly recommended that professional style cooking always be vented to the outside.