

PureLine Brilliant White  
Combi-Steam Oven

DGC 6600 XL BRWS



# PureLine Combi-Steam Oven

## DGC 6600 XL BRWS



### DGC 6600 XL BRWS

#### Features:

- SensorTronic controls: 5-line TFT display with laterally positioned sensor controls that clearly present menu content.
- MultiSteam technology delivers powerful external steam generation and optimum steam distribution via 6 inlet ports
- Wired roast probe for perfect roasting
- 3-in-1 appliance
  1. True European convection oven
  2. Steam oven
  3. Combination of steam and convection oven
- MasterChef menus offer over 150 food types to cook to perfection
- XL stainless steel cavity
- Lift up control panel conceals water and condensate container (both containers are dishwasher-safe)
- The simple yet sleek Silhouette chrome handle seems to float enhancing its modern design lines

#### SPECIFICATIONS

##### DGC 6600 XL BRWS — Item 23660012USA

Overall Fascia Dimensions	23 <sup>7</sup> / <sub>16</sub> " (595mm) W x 18" (455.5mm) H x 7 <sup>8</sup> / <sub>8</sub> " (23mm) D
Overall Unit Width - Excluding Fascia Dimension	21 <sup>9</sup> / <sub>16</sub> " (548mm)
Overall Height - Excluding Fascia Dimension	17 <sup>11</sup> / <sub>16</sub> " (449mm)
Overall Unit Depth - Excluding Fascia Dimension	21 <sup>5</sup> / <sub>8</sub> " (550mm)
Oven Door Clearance	13 <sup>1</sup> / <sub>16</sub> " (332mm)
Depth with door open	34 <sup>11</sup> / <sub>16</sub> " (898mm)
<b>Built-In</b>	
Cabinet Width	22 <sup>1</sup> / <sub>16</sub> " — 22 <sup>3</sup> / <sub>8</sub> " (560 - 568mm)
Cabinet Depth	≥ 21 <sup>7</sup> / <sub>8</sub> " (555mm)
Cabinet Opening Height	17 <sup>11</sup> / <sub>16</sub> " — 17 <sup>9</sup> / <sub>16</sub> " (450 — 452mm)
Minimum Base Support	60 lbs
Additional Cut-outs Required	Venting cut-out required 19 <sup>11</sup> / <sub>16</sub> " x 1 <sup>9</sup> / <sub>16</sub> " (500 x 40 mm)
<b>Electrical</b>	
Electrical Requirements	240V 60Hz 20A
Power Cord	Molded plug - NEMA 6-20, 240V power cord 5ft (1.5m)
Cut out for power cord	Minimum 3" square
<b>Shipping</b>	
Shipping Weight	65 lbs
Shipping Dimensions	26 <sup>7</sup> / <sub>32</sub> " (666mm) W x 21 <sup>5</sup> / <sub>8</sub> " (549mm) H x 23 <sup>1</sup> / <sub>16</sub> " (535mm) L
<b>Support</b>	
Call Miele	800.843.7231
Miele Website	🌐www.mieleusa.com
20/20 Link	🌐2020technologies.com

<p><b>Comfort Handle:</b> Optional with ContourLine (DS 6708 Item #09828380)</p>	<p><b>ComfortSwivel Handle:</b> Standard with ContourLine Optional for PureLine (DS 6718 Item # 09828390)</p>
------------------------------------------------------------------------------------------	---------------------------------------------------------------------------------------------------------------------------

<p><b>Silhouette Handle:</b> Standard with Pureline Optional for Contourline (DS 6808 Item # 09828400)</p>	
------------------------------------------------------------------------------------------------------------------------	--

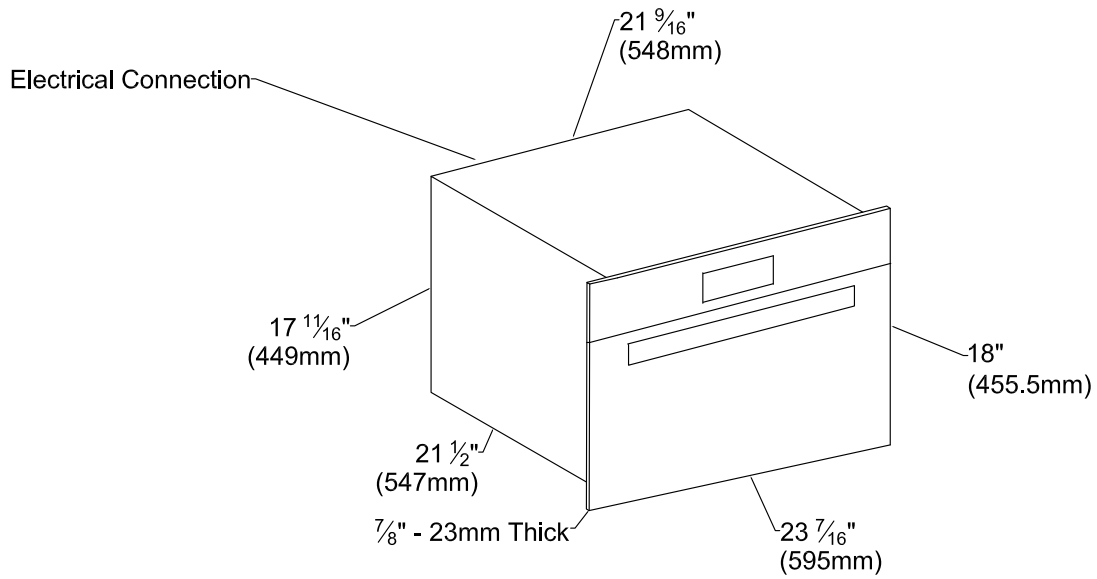
<p><b>Silhouette Handle (Chrome):</b> Standard with BrilliantWhite (DS 6808 Item # 09828410)</p>	<p><b>Silhouette Handle:</b> Standard with Truffle Brown (DS 6808 Item # 09870690)</p>
----------------------------------------------------------------------------------------------------------	------------------------------------------------------------------------------------------------

# PureLine Combi-Steam Oven DGC 6600 XL BRWS

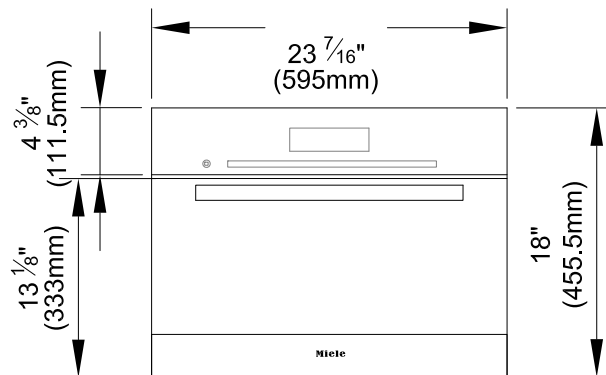


## PRODUCT VIEWS

### Isometric View

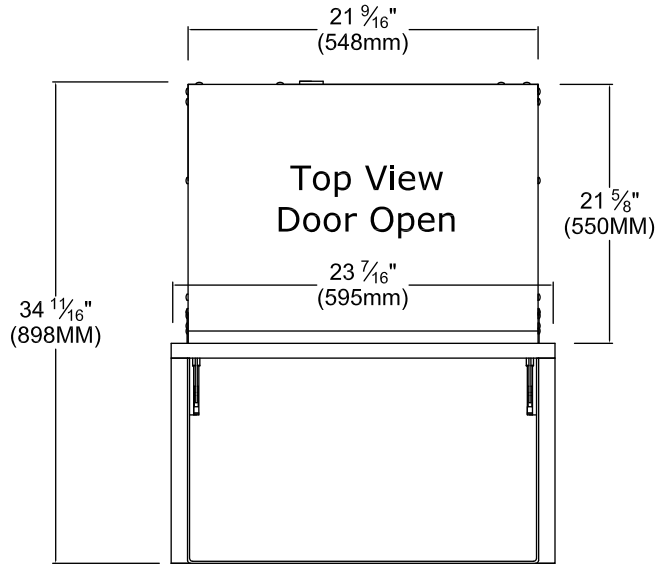


### Front View

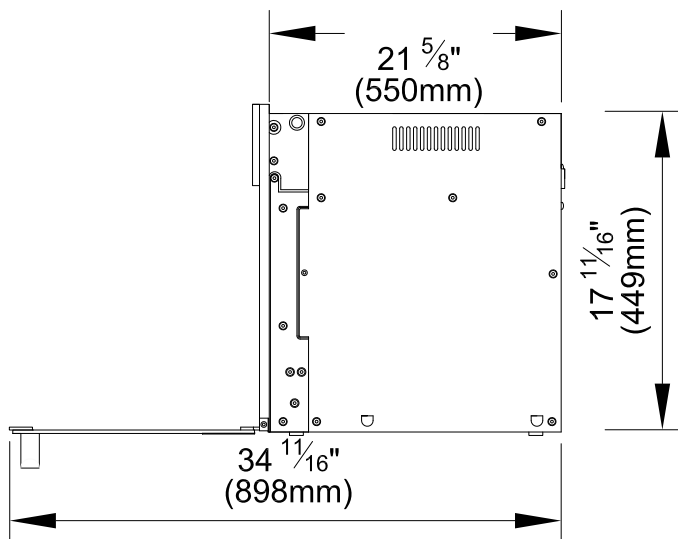


INSTALLATION SPECIFICATIONS

Top View, Door Open

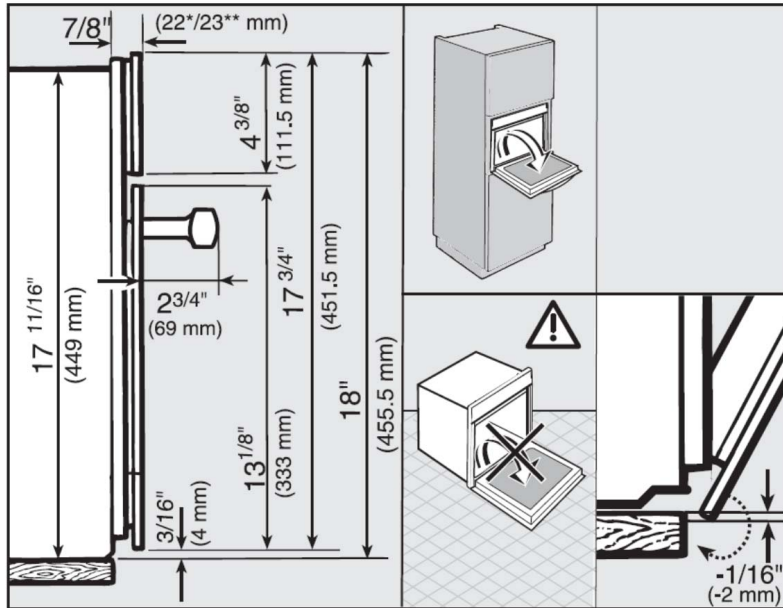


Side View



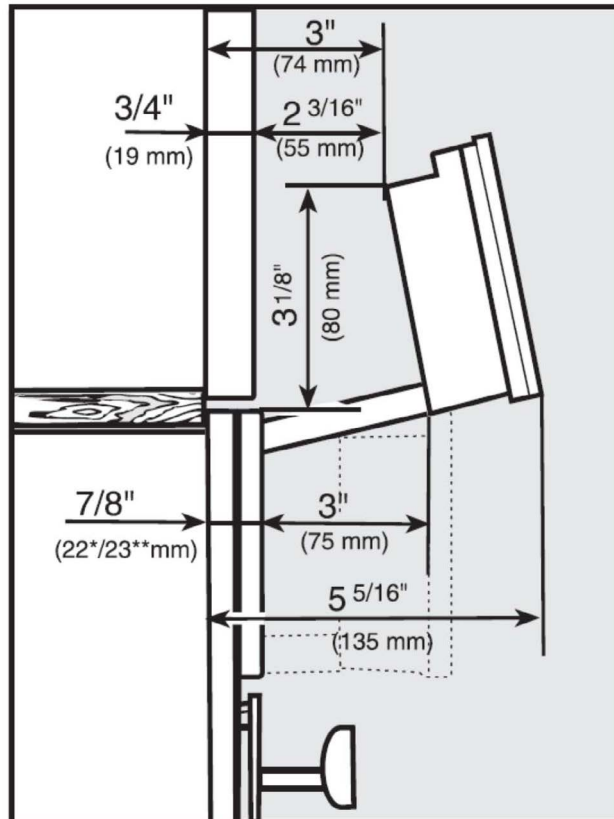
## INSTALLATION SPECIFICATIONS

### Door Swing and Face Detail



- \* Appliances with glass front
- \*\* Appliances with metal front

### Control Panel Swivel View

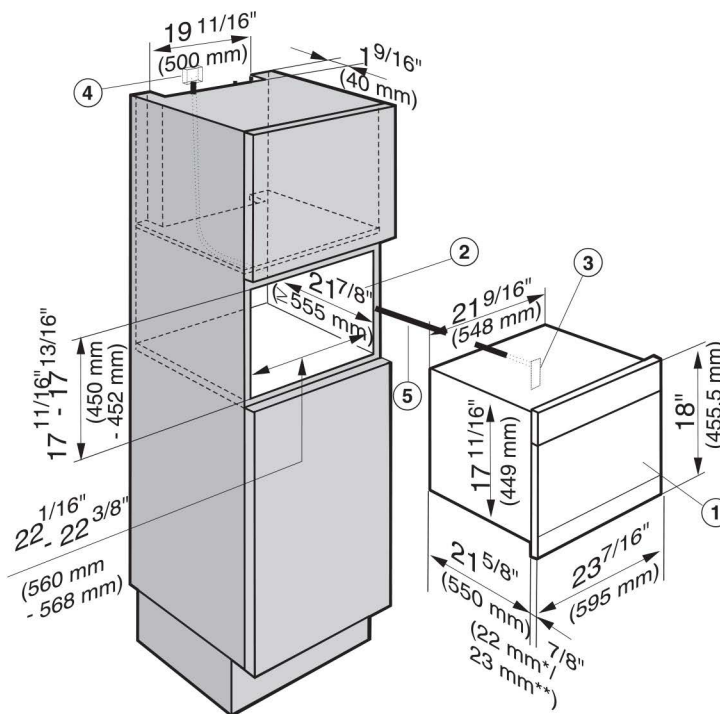


# PureLine Combi-Steam Oven DGC 6600 XL BRWS



## INSTALLATION SPECIFICATIONS

### Tall Cabinet Installation



- ① Combi Steam Oven
- ② Installation niche
- ③ Power supply to the appliance
- ④ Recommended location for electrical connection
- ⑤ Power cord

\* Appliances with glass front

\*\* Appliances with metal front

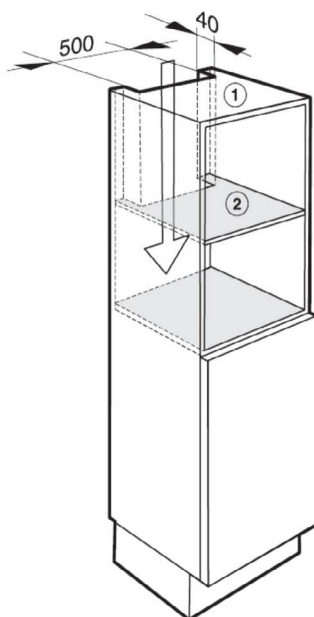
# PureLine Combi-Steam Oven

## DGC 6600 XL BRWS



### INSTALLATION SPECIFICATIONS

#### Tall Cabinet Installation – Venting Requirements

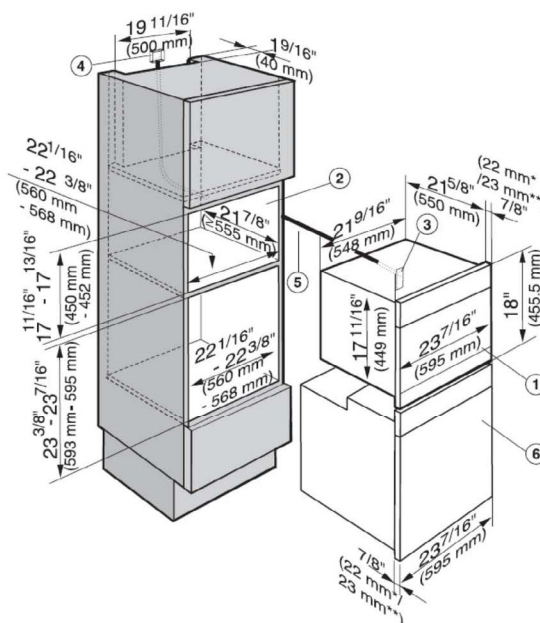


To ensure that the Combi Steam Oven has adequate ventilation, the following cut-outs measuring 19 11/16" x 1 9/16" (500 x 40 mm) must be made:

- ① in the top of the cabinet
- ② in the center shelf above the installation niche

The cabinet housing must not have a back panel fitted behind the installation niche.

#### Installation Above 24" Oven

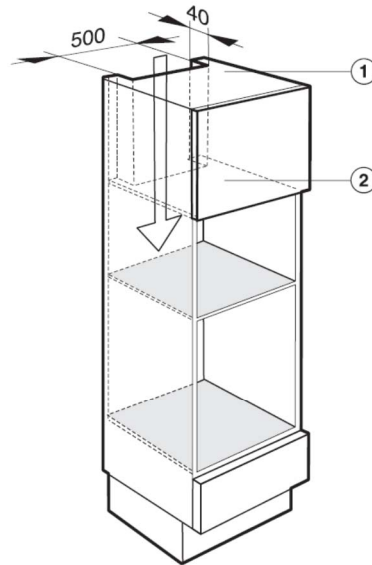


- ① Combi Steam Oven
- ② Installation niche
- ③ Power supply to the appliance
- ④ Recommended location for electrical connection
- ⑤ Power cord
- ⑥ Oven



## INSTALLATION SPECIFICATIONS

### Installation Above 24" Oven — Venting Requirements



To ensure that the Combi Steam Oven has adequate ventilation, the following cut-outs measuring 19 11/16" x 1 9/16" (500 x 40 mm) must be made:

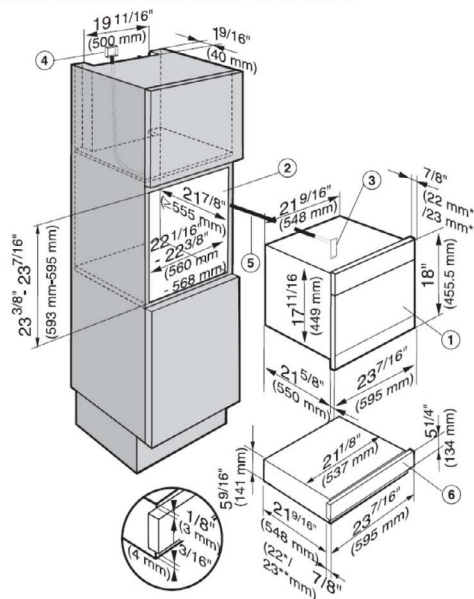
- ① in the top of the cabinet
- ② in the center shelf above the installation niche

The cabinet housing must not have a back panel fitted behind the installation niche.

Cut-out for venting the oven:  
Please refer to the installation instructions for the oven.

### Installation in combination with ESW 6x14

### Installation Above Warming Drawer

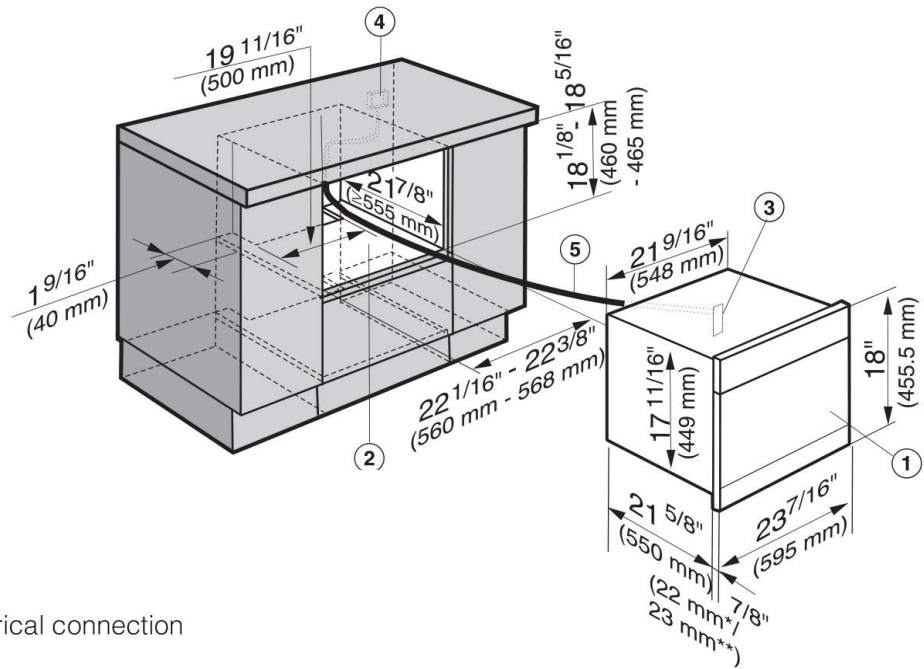


- ① Combi Steam Oven
- ② Installation niche
- ③ Power supply to the appliance
- ④ Recommended location for electrical connection
- ⑤ Power cord
- ⑥ Warming drawer

# PureLine Combi-Steam Oven DGC 6600 XL BRWS



## INSTALLATION SPECIFICATIONS

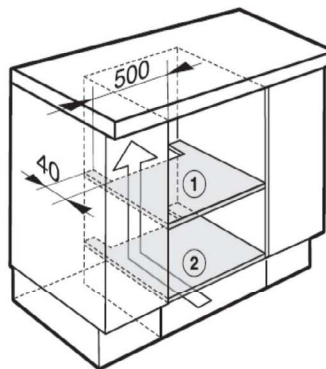


- ① Combi Steam Oven
- ② Installation niche
- ③ Power supply to the appliance
- ④ Recommended location for electrical connection
- ⑤ Power cord

- \* Appliances with glass front
- \*\* Appliances with metal front

If the appliance is to be installed under a cooktop, observe the instructions for installation of the cooktop and its installation height.

### Installation Undercounter – Venting Requirements



To ensure that the Combi Steam Oven has adequate ventilation, the following cut-outs measuring 19 11/16" x 1 9/16" (500 x 40 mm) must be made:

- ① in the appliance support base
- ② in the bottom of the cabinet space below

The cabinet housing must not have a back panel fitted behind the installation niche.

## 30" Trim Kit

EBA 6708, EBA 6708 HVBR,

EBA 6708 BRWS

EBA 6808, EBA 6808 HVBR,

EBA 6808 BRWS

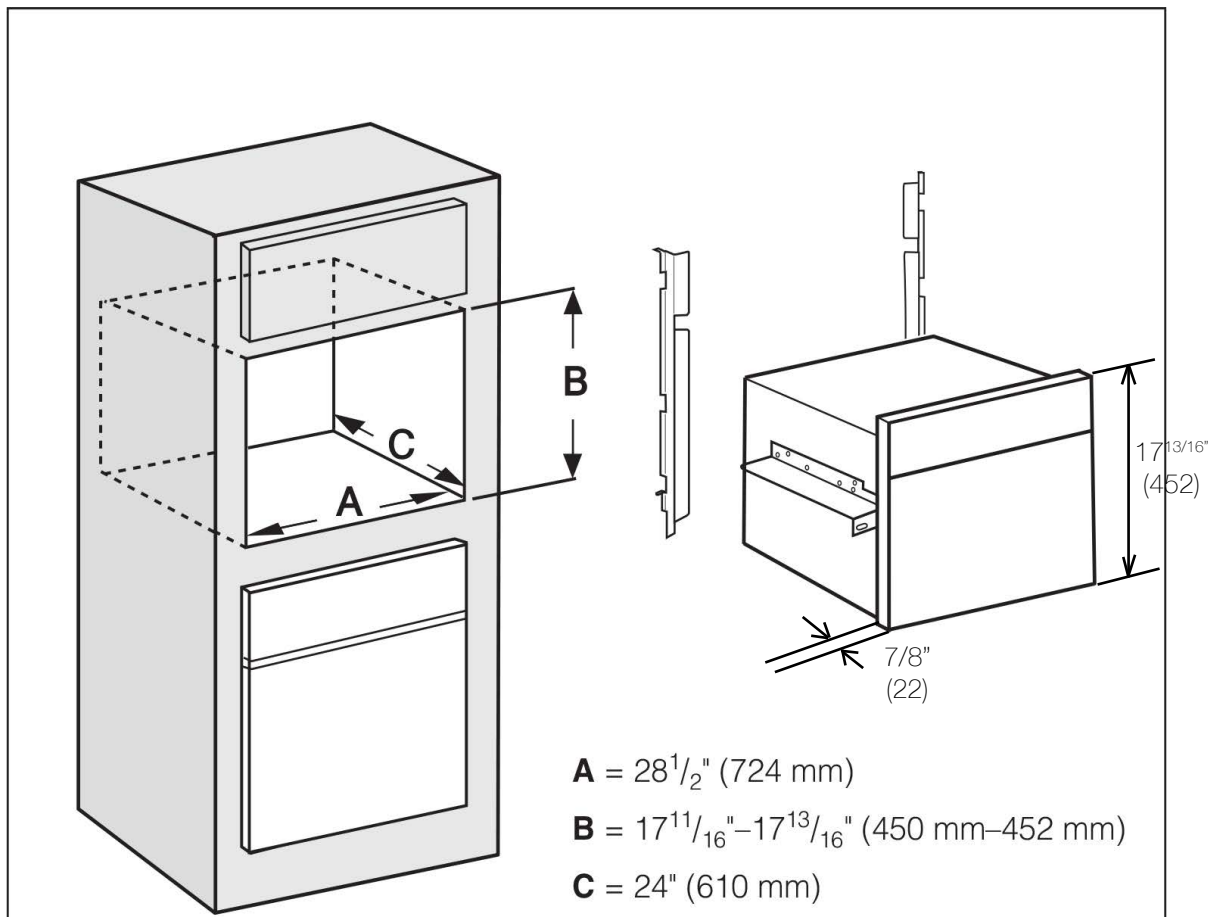


# 30" Trim Kit EBA 6708, EBA 6808



## INSTALLATION SPECIFICATIONS

Installation In Tall Niche

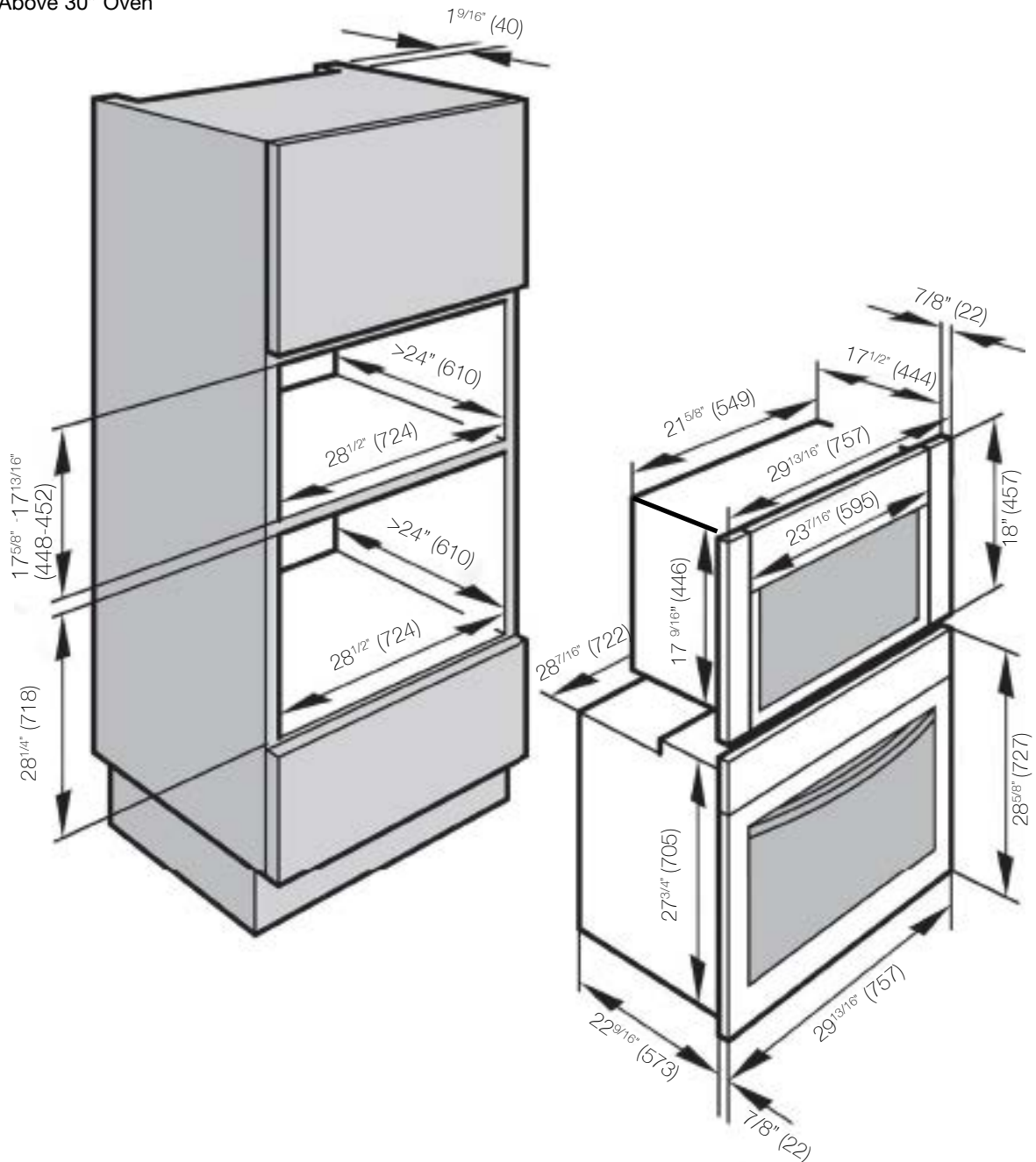


\*\* Follow the appliance's installation directions for plumbing, electrical, and ventilation.

# 30" Trim Kit EBA 6708, EBA 6808



Installation Above 30" Oven



\*\* Follow the appliance's installation directions for plumbing, electrical, and ventilation.