

PureLine Truffle Brown
24" Combi-Steam Oven

DGC 6600 XL HVBR



PureLine Combi-Steam Oven

DGC 6600 XL HVBR



DGC 6600 XL HVBR

Features:

- SensorTronic controls: 5-line TFT display with laterally positioned sensor controls that clearly present menu content.
- MultiSteam technology delivers powerful external steam generation and optimum steam distribution via 6 inlet ports
- Wired roast probe for perfect roasting
- 3-in-1 appliance
 1. True European convection oven
 2. Steam oven
 3. Combination of steam and convection oven
- MasterChef menus offer over 150 food types to cook to perfection
- XL stainless steel cavity
- Lift up control panel conceals water and condensate container (both containers are dishwasher-safe)
- The simple yet sleek Silhouette chrome handle seems to float enhancing its modern design lines

SPECIFICATIONS

DGC 6600 XL HVBR — Item 23660002USA

Overall Fascia Dimensions	23 ⁷ / ₁₆ " (595mm) W x 18" (455.5mm) H x 7 ⁷ / ₈ " (23mm) D
Overall Unit Width - Excluding Fascia Dimension	21 ⁹ / ₁₆ " (548mm)
Overall Unit Height - Excluding Fascia Dimension	17 ¹¹ / ₁₆ " (449mm)
Overall Unit Depth - Excluding Fascia Dimension	21 ⁵ / ₈ " (550mm)
Oven Door Clearance	13 ¹ / ₁₆ " (332mm)
Depth with door open	34 ¹¹ / ₁₆ " (898mm)
Built-In	
Cabinet Width	22 ¹ / ₁₆ " — 22 ³ / ₈ " (560 - 568mm)
Cabinet Depth	≥ 21 ⁷ / ₈ " (555mm)
Cabinet Opening Height	17 ¹¹ / ₁₆ " — 17 ¹³ / ₁₆ " (450 — 452mm)
Minimum Base Support	60 lbs
Additional Cut-outs Required	Venting cut-out required 19 ¹¹ / ₁₆ " x 1 ⁹ / ₁₆ " (500 x 40 mm)
Electrical	
Electrical Requirements	240V 60Hz 20A
Power Cord	Molded plug - NEMA 6-20, 240V power cord 5ft (1.5m)
Cut out for power cord	Minimum 3" square
Shipping	
Shipping Weight	65 lbs
Shipping Dimensions	26 ⁷ / ₃₂ " (666mm) W x 21 ⁵ / ₈ " (549mm) H x 23 ¹ / ₁₆ " (535mm) L
Support	
Call Miele	800.843.7231
Miele Website	🌐 www.mieleusa.com
20/20 Link	🌐 2020technologies.com

<p>Comfort Handle: Optional with ContourLine (DS 6708 Item #09828380)</p>	<p>ComfortSwivel Handle: Standard with ContourLine Optional for PureLine (DS 6718 Item # 09828390)</p>
--	---

<p>Silhouette Handle: Standard with Pureline Optional for Contourline (DS 6808 Item # 09828400)</p>	
--	--

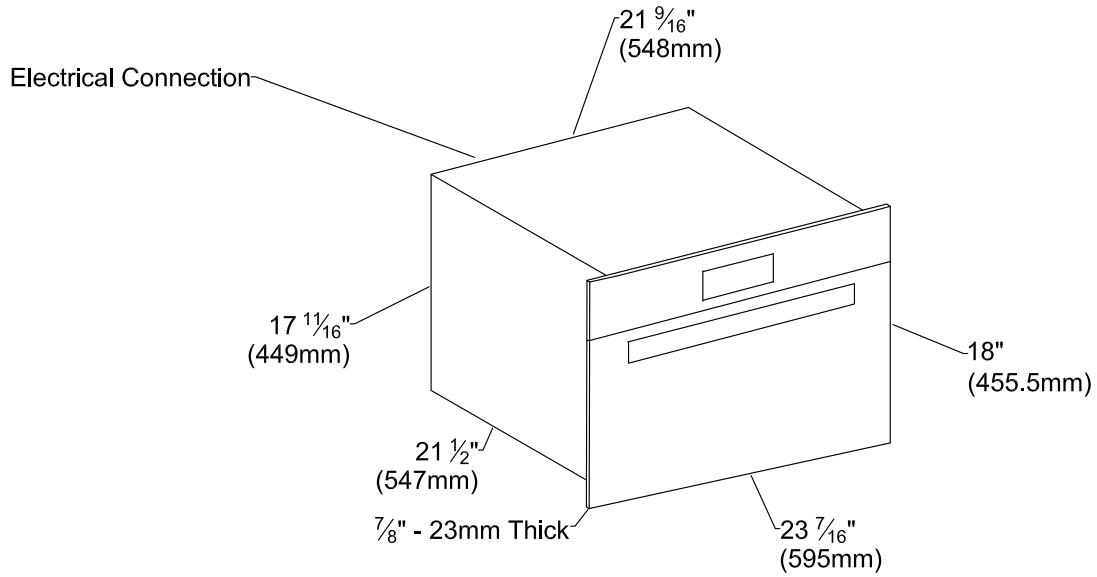
<p>Silhouette Handle (Chrome): Standard with BrilliantWhite (DS 6808 Item # 09828410)</p>	<p>Silhouette Handle: Standard with Truffle Brown (DS 6808 Item # 09870690)</p>
--	--

PureLine Combi-Steam Oven DGC 6600 XL HVBR

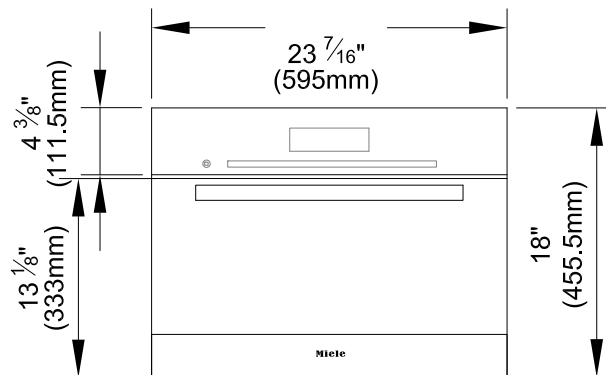


PRODUCT VIEWS

Isometric View

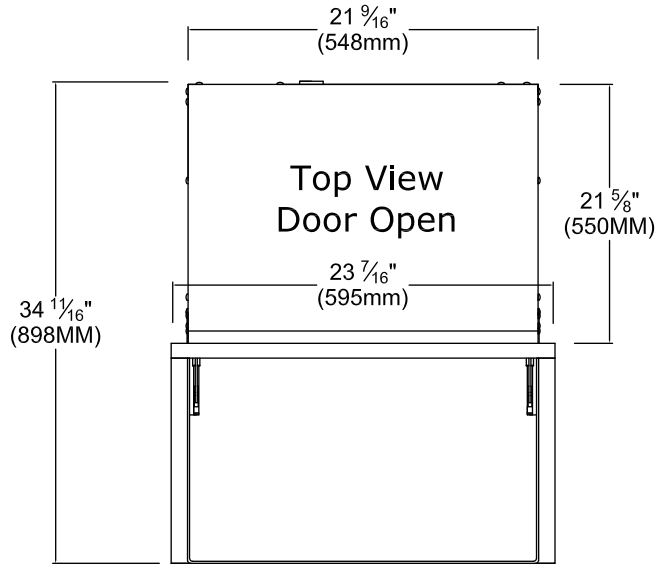


Front View

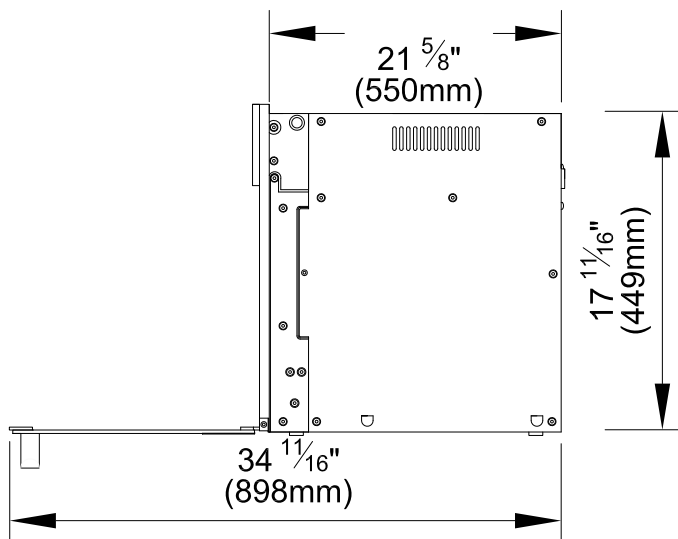


INSTALLATION SPECIFICATIONS

Top View, Door Open

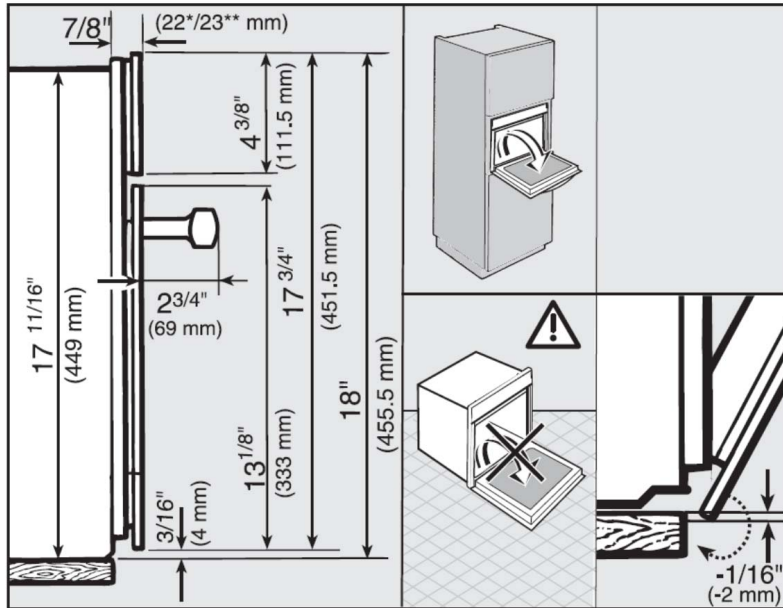


Side View



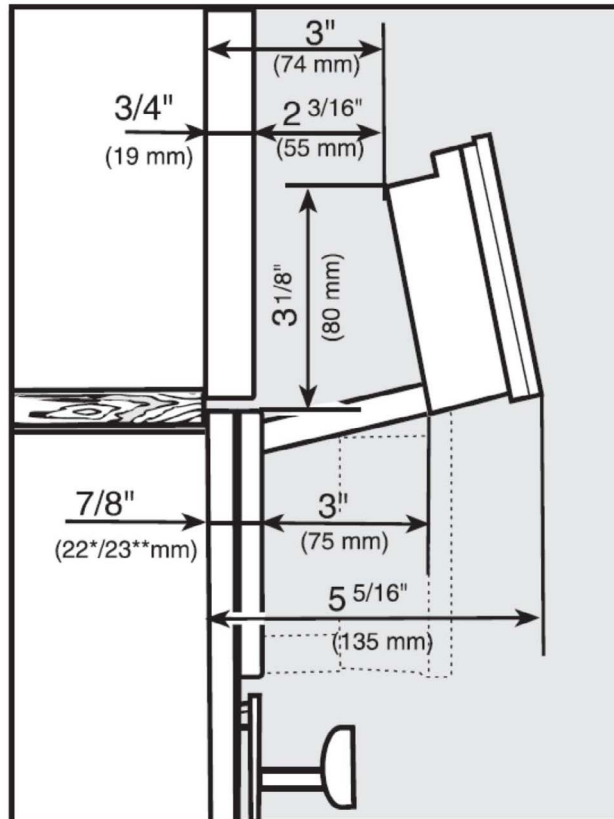
INSTALLATION SPECIFICATIONS

Door Swing and Face Detail



- * Appliances with glass front
- ** Appliances with metal front

Control Panel Swivel View

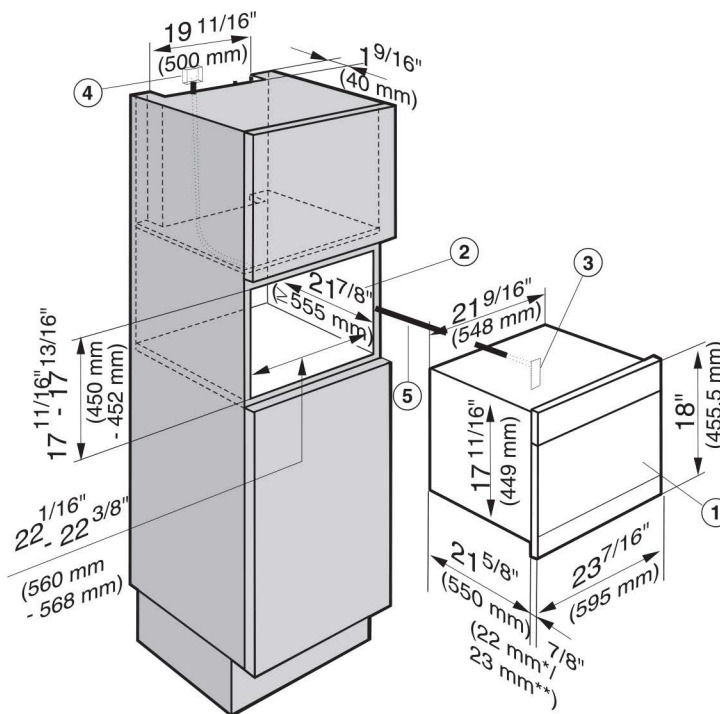


PureLine Combi-Steam Oven DGC 6600 XL HVBR



INSTALLATION SPECIFICATIONS

Tall Cabinet Installation



- ① Combi Steam Oven
- ② Installation niche
- ③ Power supply to the appliance
- ④ Recommended location for electrical connection
- ⑤ Power cord

* Appliances with glass front

** Appliances with metal front

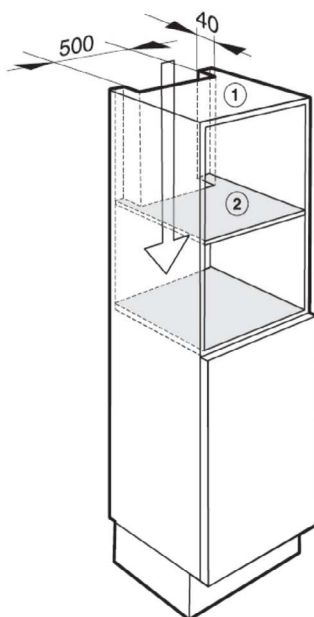
PureLine Combi-Steam Oven

DGC 6600 XL HVBR



INSTALLATION SPECIFICATIONS

Tall Cabinet Installation – Venting Requirements

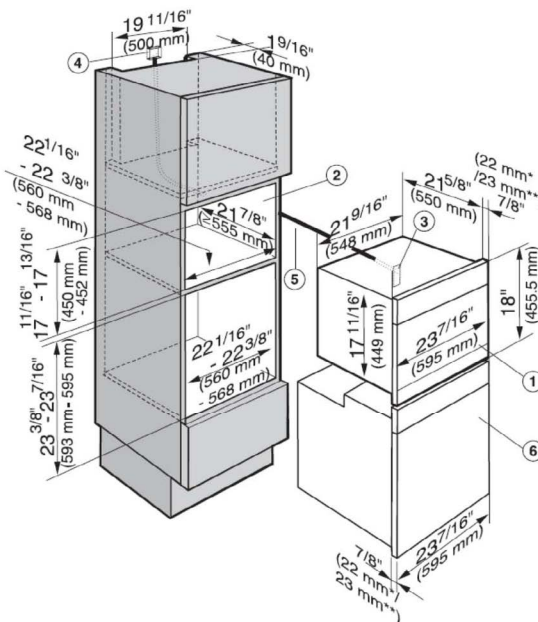


To ensure that the Combi Steam Oven has adequate ventilation, the following cut-outs measuring 19 11/16" x 1 9/16" (500 x 40 mm) must be made:

- ① in the top of the cabinet
- ② in the center shelf above the installation niche

The cabinet housing must not have a back panel fitted behind the installation niche.

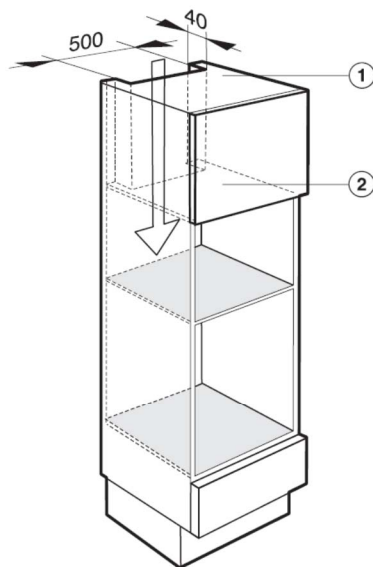
Installation Above 24" Oven



- ① Combi Steam Oven
- ② Installation niche
- ③ Power supply to the appliance
- ④ Recommended location for electrical connection
- ⑤ Power cord
- ⑥ Oven

INSTALLATION SPECIFICATIONS

Installation Above 24" Oven — Venting Requirements



To ensure that the Combi Steam Oven has adequate ventilation, the following cut-outs measuring 19 11/16" x 1 9/16" (500 x 40 mm) must be made:

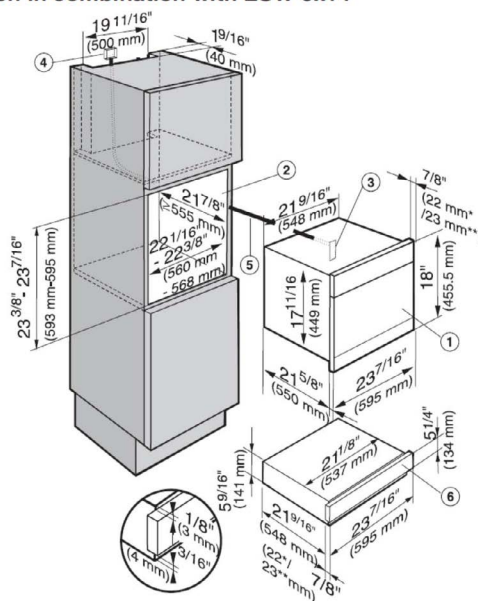
- ① in the top of the cabinet
- ② in the center shelf above the installation niche

The cabinet housing must not have a back panel fitted behind the installation niche.

Cut-out for venting the oven:
Please refer to the installation instructions for the oven.

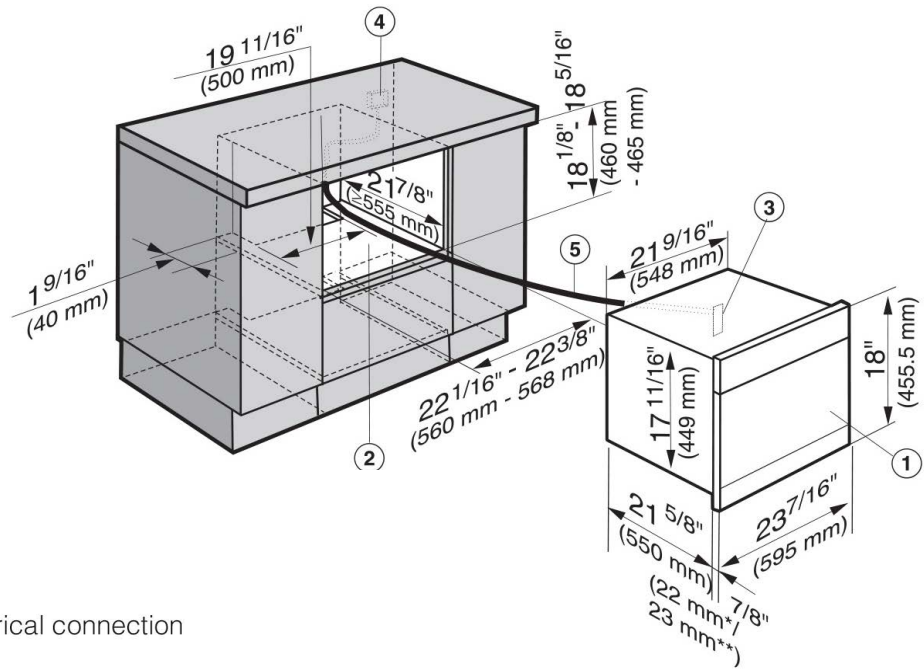
Installation in combination with ESW 6x14

Installation Above Warming Drawer



- ① Combi Steam Oven
- ② Installation niche
- ③ Power supply to the appliance
- ④ Recommended location for electrical connection
- ⑤ Power cord
- ⑥ Warming drawer

INSTALLATION SPECIFICATIONS

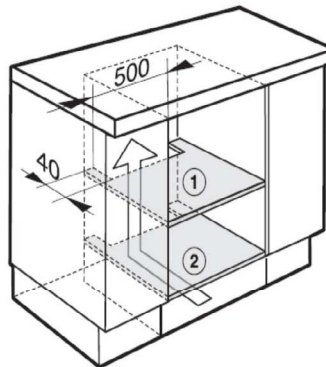


- ① Combi Steam Oven
- ② Installation niche
- ③ Power supply to the appliance
- ④ Recommended location for electrical connection
- ⑤ Power cord

* Appliances with glass front
 ** Appliances with metal front

If the appliance is to be installed under a cooktop, observe the instructions for installation of the cooktop and its installation height.

Installation Undercounter – Venting Requirements



To ensure that the Combi Steam Oven has adequate ventilation, the following cut-outs measuring 19 11/16" x 1 9/16" (500 x 40 mm) must be made:

- ① in the appliance support base
- ② in the bottom of the cabinet space below

The cabinet housing must not have a back panel fitted behind the installation niche.

30" Trim Kit

EBA 6708, EBA 6708 HVBR,

EBA 6708 BRWS

EBA 6808, EBA 6808 HVBR,

EBA 6808 BRWS

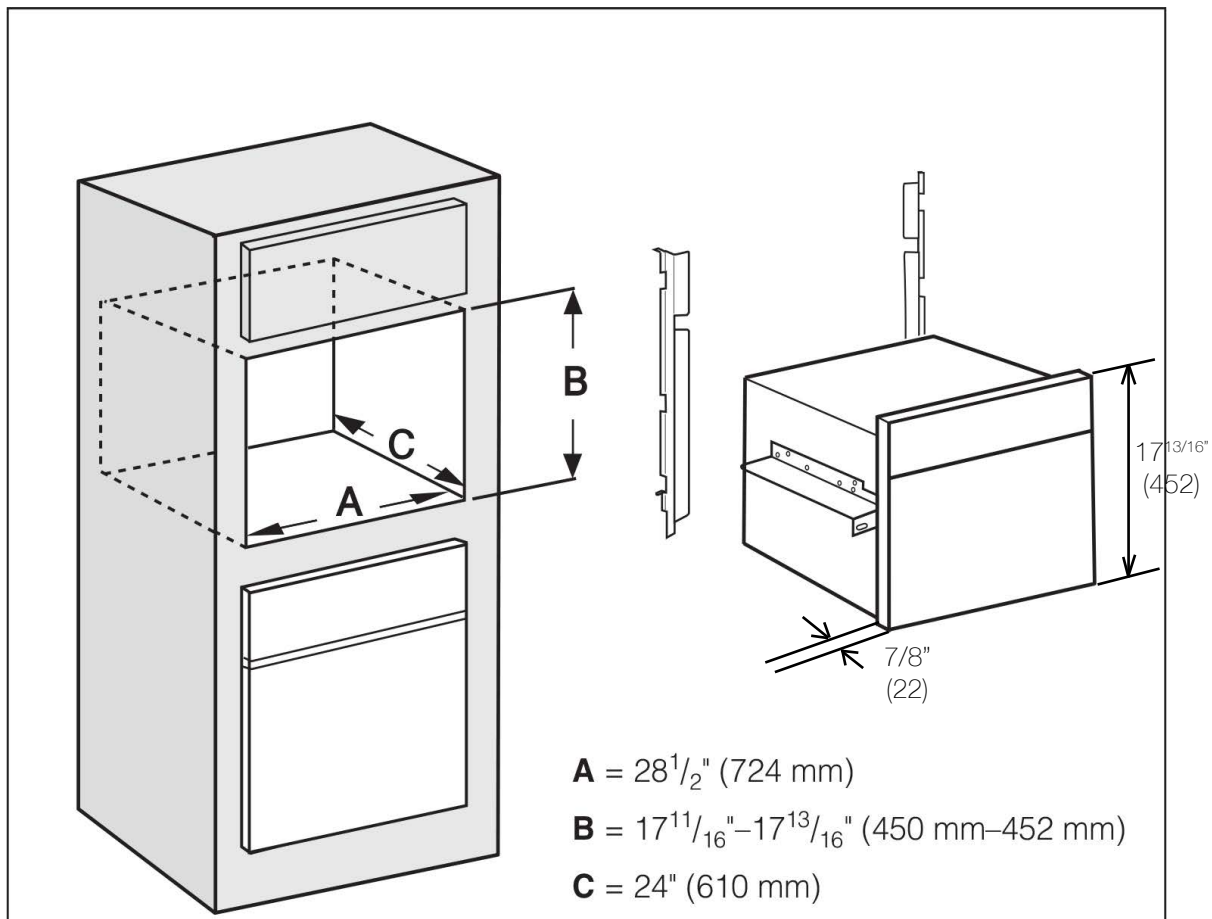


30" Trim Kit EBA 6708, EBA 6808



INSTALLATION SPECIFICATIONS

Installation In Tall Niche



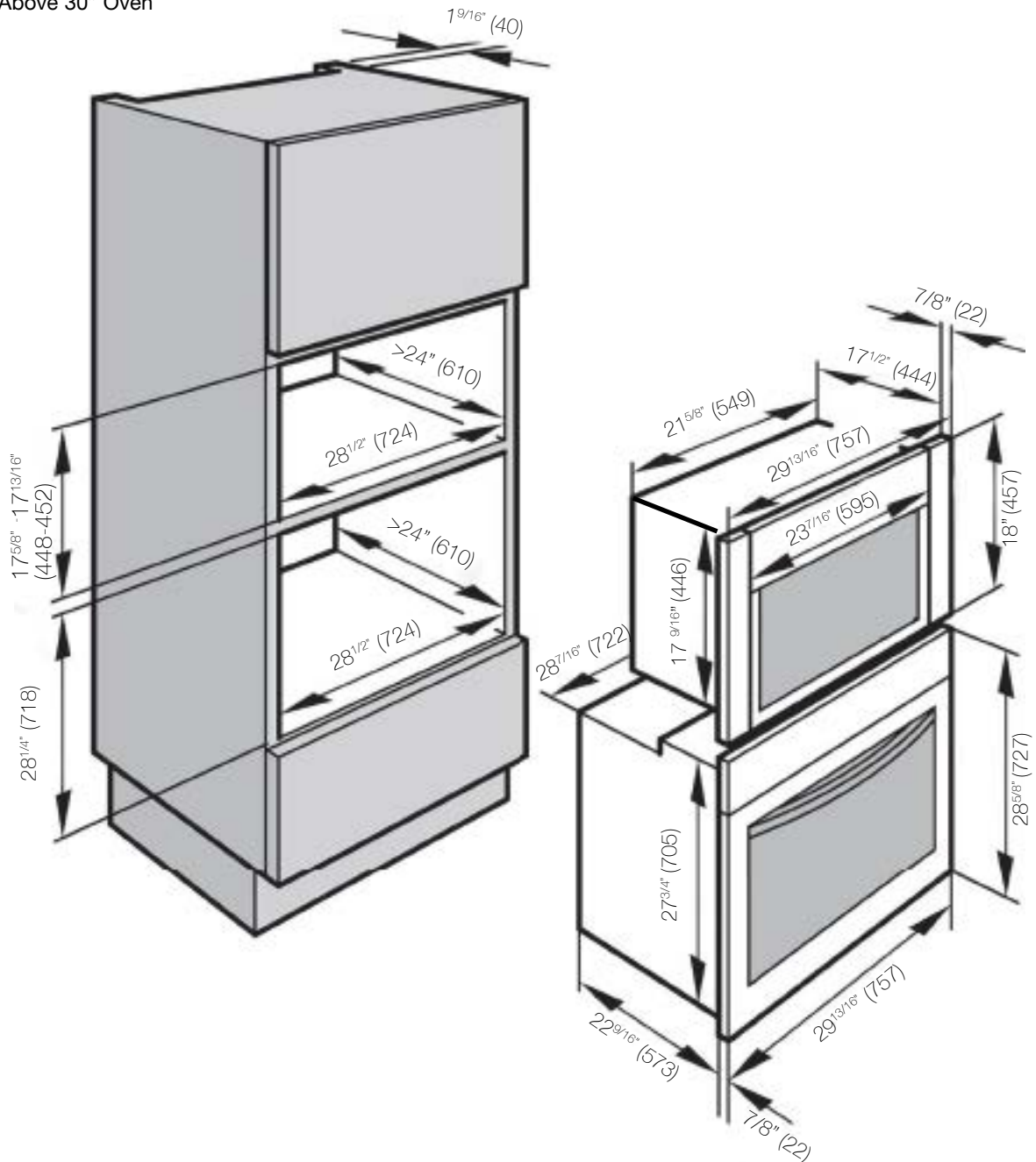
** Follow the appliance's installation directions for plumbing, electrical, and ventilation.

30" Trim Kit

EBA 6708, EBA 6808



Installation Above 30" Oven



** Follow the appliance's installation directions for plumbing, electrical, and ventilation.