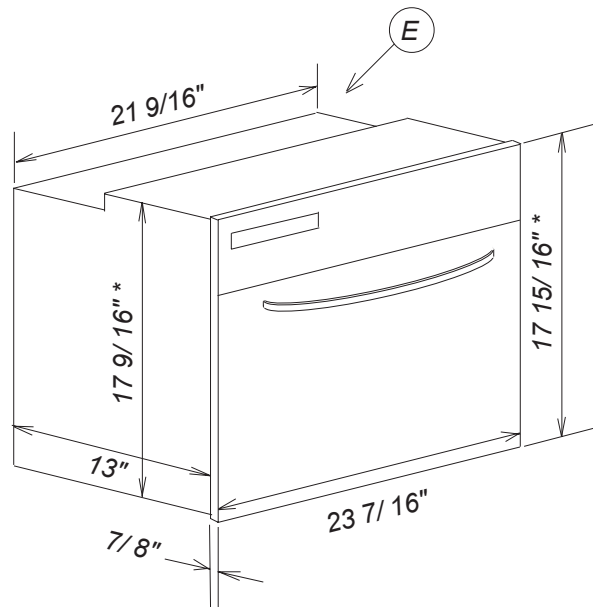
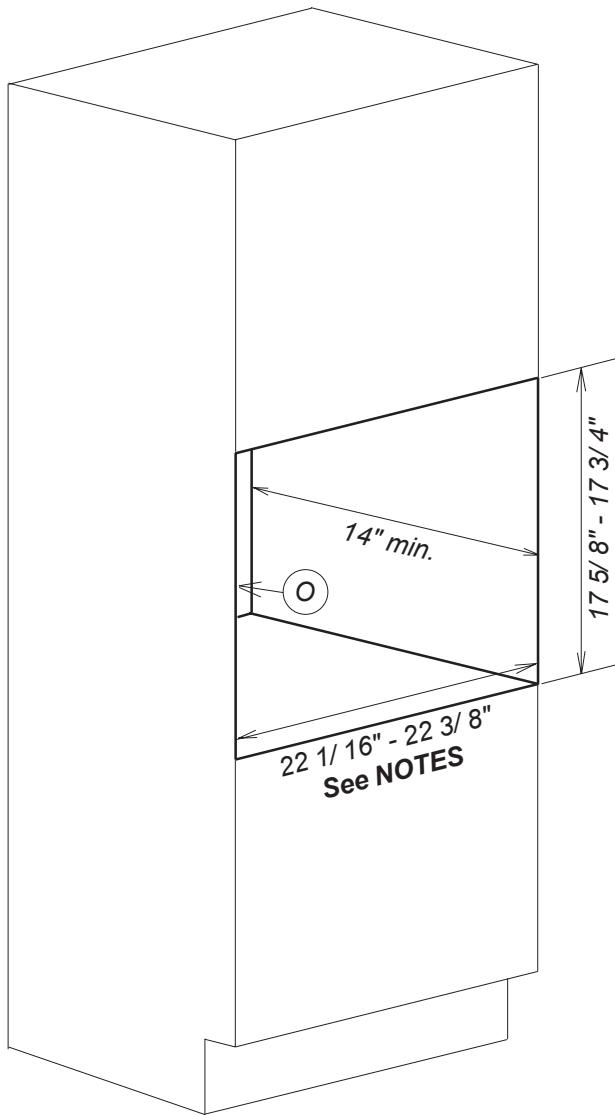


# Product and Cut-out Dimensions

## Convection Steam Oven

DG 155-2



Location Codes
E - Pigtail electrical main connects left back side .
O - 208-240 Volt - 15 Amp - 3-wire connection box (2 lives / ground).
Notes
<ul style="list-style-type: none"> <li>• Installation with optional EBA 70 Filler Strips requires a width of 26" - 26 1/4"</li> <li>• All installations must be done in accordance with local codes.</li> </ul>

NOTE: Drawing is not to scale.  
SPECIFICATION SHEETS 151203