

SPECIFICATIONS

SHERIDAN™ TWO HANDLE KITCHEN FAUCET WITH SPRAY

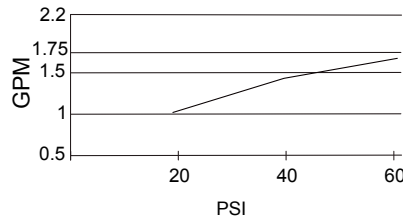
Model

D422255

Description

- Ceramic disc valve
- 12" high spout, 8" spout length
- Matching spray
- 4 hole mount
- Maximum flow rate on aeration at 1.75gpm & side spray as temporary flow at 2.2gpm
- Meets CEC requirements

Aeration Flow Rate



Standards



NSF/ANSI 372

• NSF/ANSI 372

MEETS ASME A112.18.1M/A112.18.1

• ASME A112.18.1M/A112.18.1



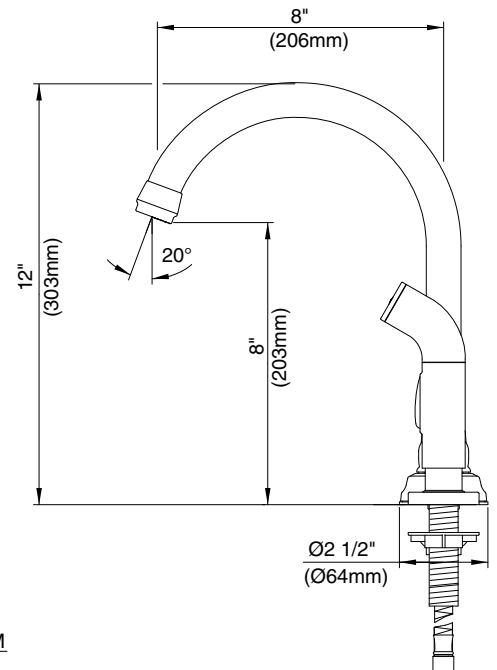
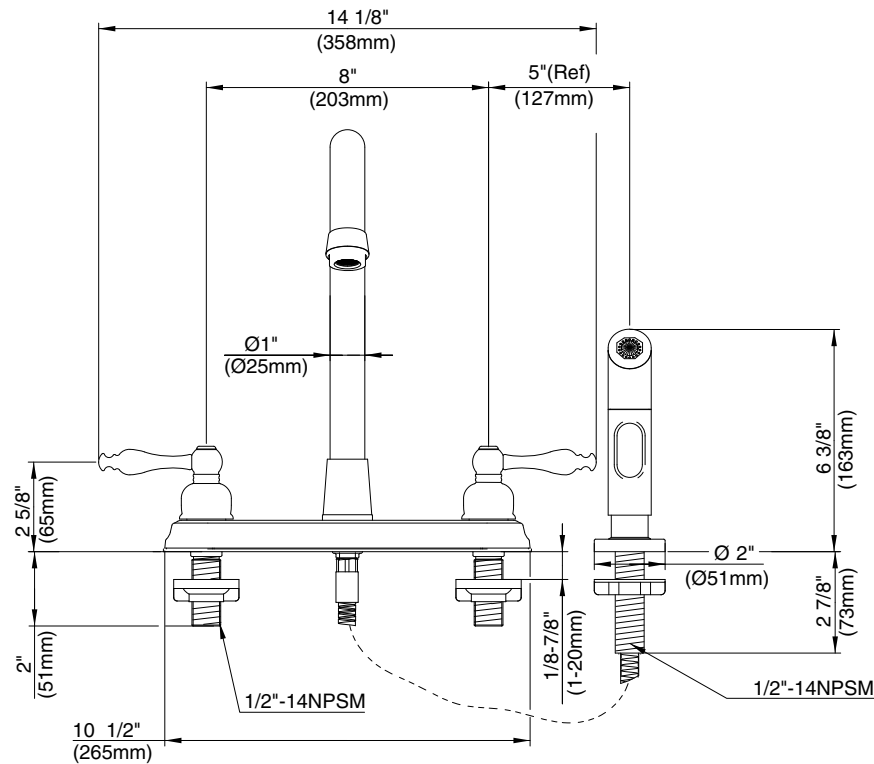
• ADA Accessibility Guidelines for Buildings and Facilities - 309.4 Operation for Operable Parts

Warranty

Danze products are covered by a manufacturer's limited "lifetime" warranty for manufacturing defects.

Finishes Available

- Chrome
- Other: Refer to Price List for additional finish



Submittal Information:

Job Name: _____
 Contractor: _____

Location: _____
 Contact #: _____