

SPECIFICATIONS

BRANDYWOOD™ TWO HANDLE WIDESPREAD LAVATORY FAUCET

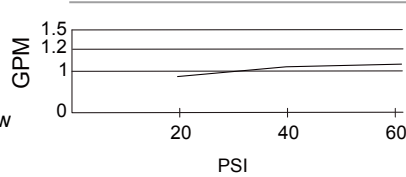
Model

D304966

Description

- Ceramic disc valves
- 2 7/8" high spout, 4 5/8" spout length, laminar flow
- With metal touch-down drain assembly
- 3 hole mount, 6"-12" installation
- Cross handles
- 1.2gpm (4.5L/min) maximum flow rate @60 psi
- Meets CEC Requirement

Flow Rate



Standards



NSF/ANSI 372

- NSF/ANSI 372

MEETS ASME A112.18.1M/A112.18.1

- ASME A112.18.1M/A112.18.1



- ADA Accessibility Guidelines for Buildings and Facilities - 309.4 Operation for Operable Parts

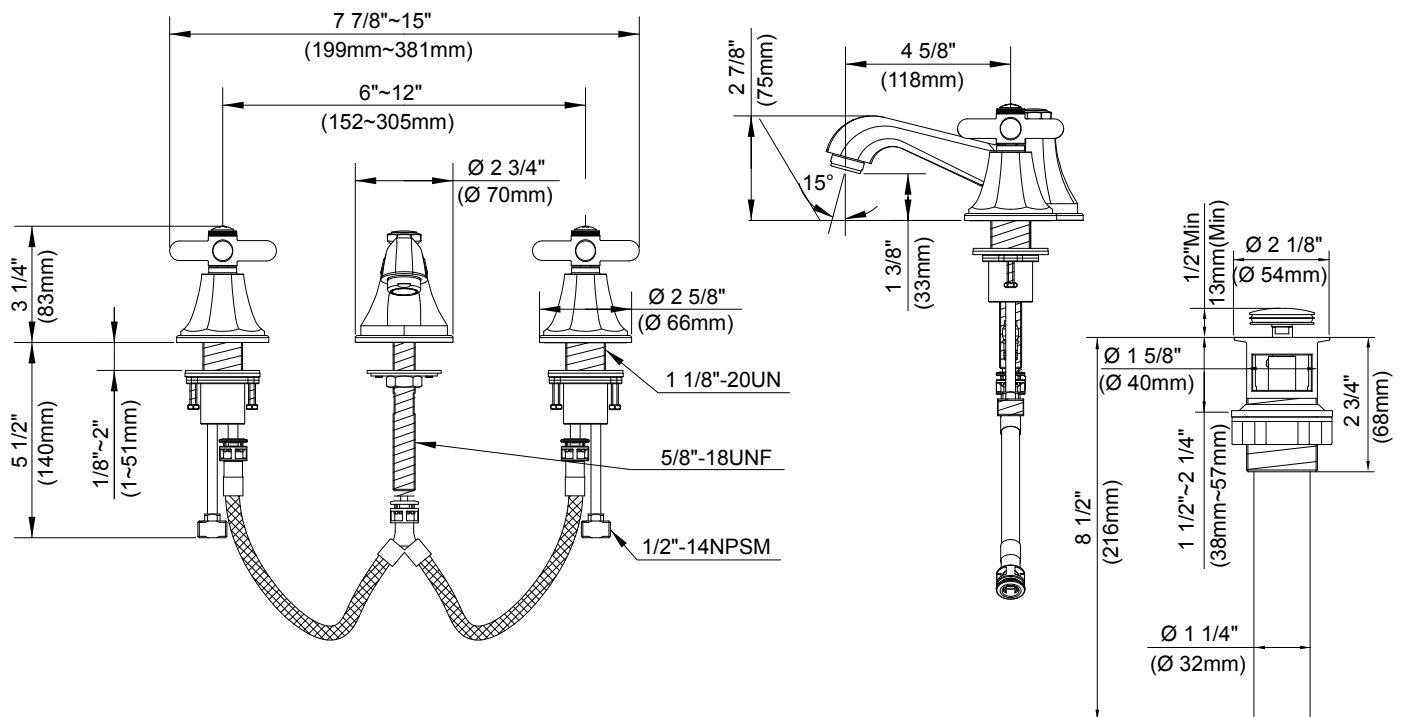
•WaterSense Pending

Finishes Available

- Chrome
- Other: Refer to Price List for additional finish

Warranty

Danze products are covered by a manufacturer's limited "lifetime" warranty for manufacturing defects.



Submittal Information:

Job Name: _____
 Contractor: _____

Location: _____
 Contact #: _____