

# Dama

# Decorative Collection

traditionally styled rangehood

- wall canopy rangehood
- sleek styling
- 600 cfm PRO motor or **300 cfm**
- 2 halogen lights
- 3 speed push button controls
- dishwasher safe grease filters
- convertible to ductless\*
- Easy Cube mounting system
- 6" round duct

\* it is highly recommended that professional style cooking always be vented to the outside.



# FABER

Your Appliance Authority™

# 800-570-3355

**Size | Color** **Model #**

**600 CFM models**

30 Stainless DAMA30SS

36 Stainless DAMA36SS

**300 CFM models**

30 Stainless DAMA30SS300

36 Stainless DAMA36SS300

Designed to offer a high-end decorative look while taking into consideration great value. Traditional styling, standard features, and solid performance make the Dama wall a great choice in canopy range hoods.

**a High Ceiling Chimney Kit**

**c** One 40" upper chimney to replace 16 1/8" upper chimney that came with hood

**c** Stainless HIGH1

**e Ductless Conversion Kit**

**s** Includes: • Lower Chimney with holes for ducting  
**s** • Ductless Diverter Assembly • Vent Grates  
**o** • Charcoal Filter

**r** Stainless DUCT1

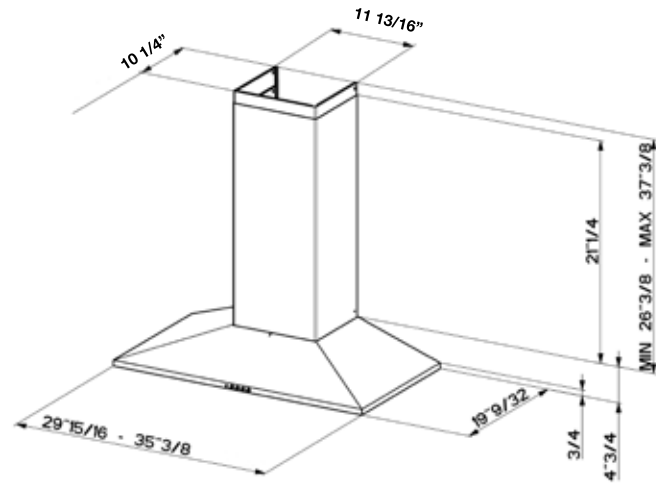
**i Replacement Charcoal Filter**

**e** FILTER2  
**s**

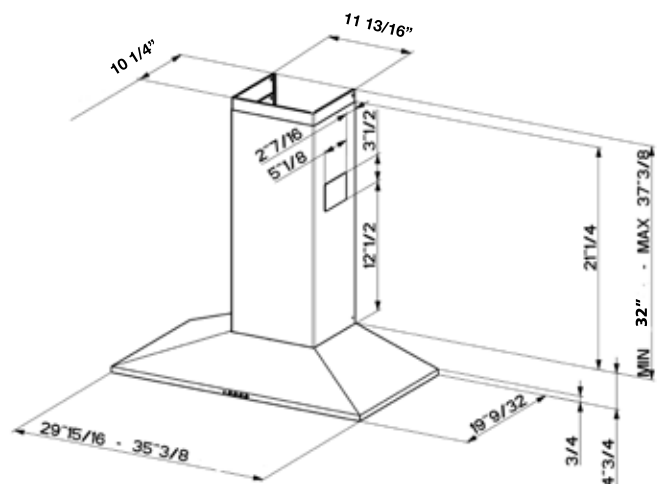


# Dimensional Diagrams

## Ducted

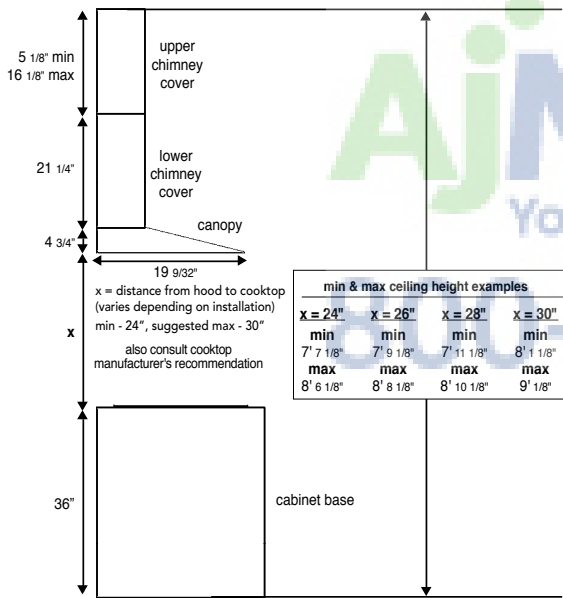


## Ductless



### Pre-Planning Your Installation - Important: Consult the installation instructions before you begin installing this rangehood.

## Ducted

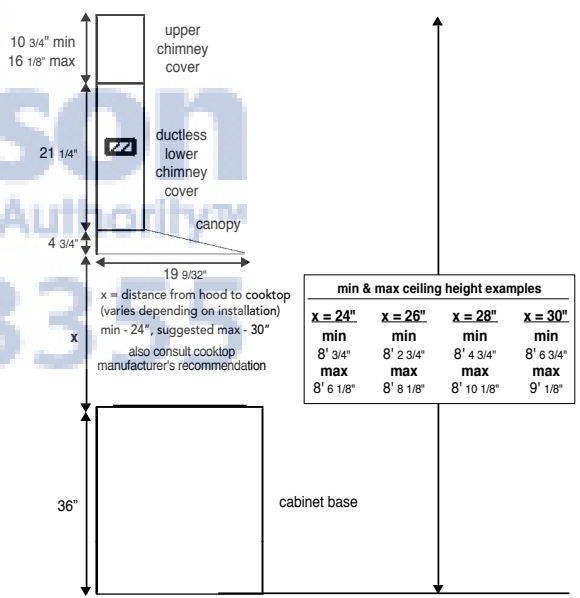


For ducted installations the chimneys are adjustable and designed to meet varying ceiling heights between 7' 7 1/8" and 9' 1/8" depending on the distance between the bottom of the hood and the cooktop (distance x in the ducted diagram).

For ductless installations the chimneys are adjustable and designed to meet varying ceiling heights between 8' 3/4" and 9' 1/8" depending on the distance between the bottom of the hood and the cooktop (distance x in the ductless diagram).

For shorter ceilings, have the chimney cover(s) cut at a sheet metal shop. For higher ceiling installations, the **High Ceiling Chimney Kit** includes a new 40" upper chimney which would replace the 16 1/8" upper chimney that came with the hood.

## Ductless

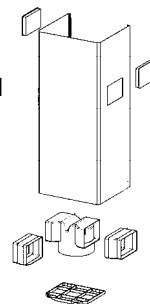


Note: If 24" or 30" **High Backsplash** is being installed, the distance between the bottom of the hood and the cooktop (distance x in diagram) is equal to the height of the **Backsplash**.

### Pre-Planning Your Installation - Important: Consult the installation instructions before you begin installing this rangehood.

Make your ductrun as straight and short as possible. The ductrun should not exceed 35 equivalent feet if ducted with the required minimum of 6" round duct. Count 45° angles as 3 feet, 90° elbows as 5 feet, and 90° flat elbows as 12 feet.

**For best results, use no more than three 90° elbows. Make sure that there is a minimum of 24" of straight duct between elbows if more than one is used. Do not install two elbows together. If you must elbow right away, do it as far away from the hood's exhaust opening as possible.**



### Ductless Installations\*

For installations where ductwork is impossible or highly impractical, a **Ductless Conversion Kit** is available. A charcoal filter, which attaches under the blower assembly, absorbs smoke and odors. A ductless diverter assembly directs the air out to a lower chimney with vent grates cut into the sides.

**\* it is highly recommended that professional style cooking always be vented to the outside.**

**WARNING!** Product specifications are subject to change without notification. Consult the installation instructions before you begin installing this rangehood.