

NEW CONTROLS AND FEATURES

Dama Isola

Decorative Collection

a value alternative in island ventilation

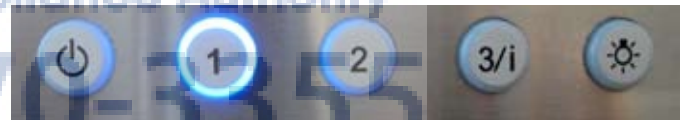
- island canopy rangehood
- traditional styling
- 600 cfm motor or **300 cfm**
- 4 halogen lights
- 3 speed LED backlit push controls
- dishwasher safe grease filters
- modified pro depth
- convertible to ductless*
- Easy Cube motor access
- sone range: 3.5 - 6.5
- 6" round duct



FABER

Designed to offer a high-end look without the high-end price tag, the Dama Isola offers an island rangehood for the price-conscious consumer. Traditional styling, standard features, and solid performance make the Dama Isola a great value in island ventilation.

* it is highly recommended that professional style cooking always be vented to the outside.



NEW BLUE LED BACKLIT CONTROLS

Size | Color

Model

36 x 27 Stainless (600 cfm)	DAMIS36SS
36 x 27 Stainless (300 cfm)	DAMIS36SS300

a High Ceiling Chimney Kit
c Extends the island chimney for high ceilings

c Stainless HIGH2

s Ductless Conversion Kit
s Includes: • Lower Chimney with holes
o for ducting • Ductless Diverter Assembly
r • Vent Grates • Charcoal Filter

i Stainless DUCT2

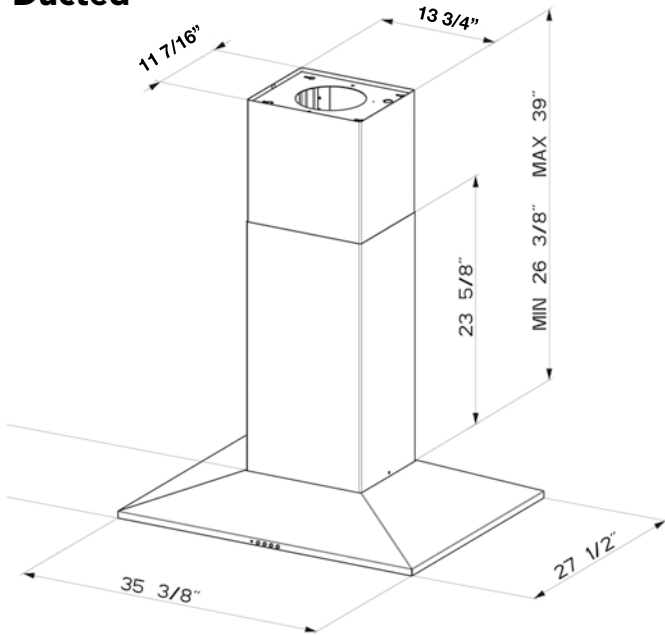
e Replacement Charcoal Filter

s FILTER2

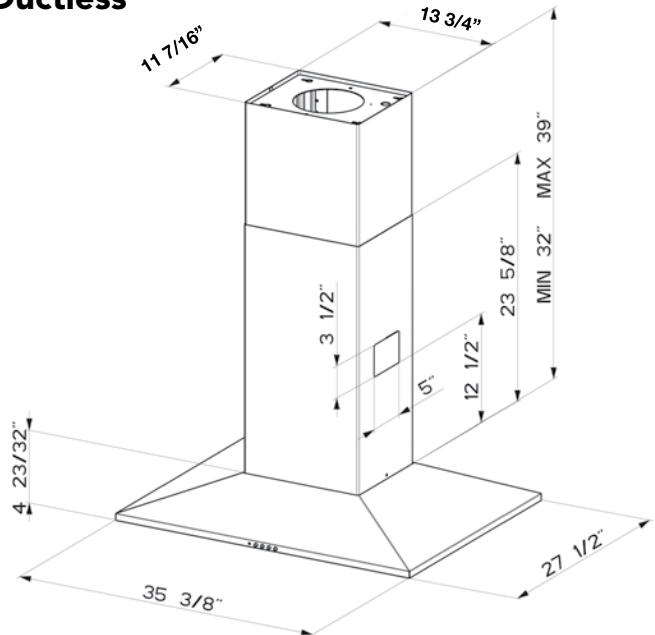


Dimensional Diagrams

Ducted

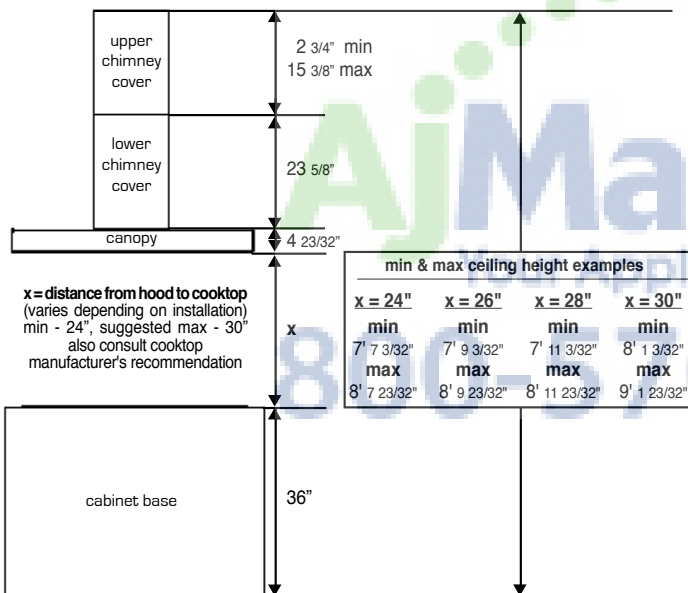


Ductless

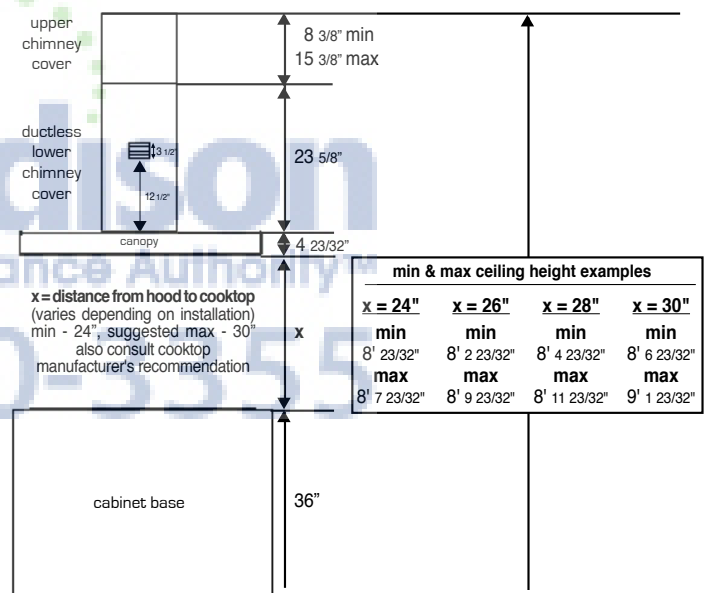


Pre-Planning Your Installation - Important: Consult the installation instructions before you begin installing this rangehood.

Ducted



Ductless

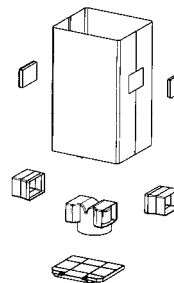


The ducted Dama Isola chimney can be adjusted for ceilings between 7' 7 3/32" and 9' 1 23/32" depending on the distance between the bottom of the hood and the cooktop (distance x in above DUCTED diagram). The ductless Dama Isola chimney can be adjusted for ceilings between 8' 23/32" and 9' 1 23/32" depending on the distance between the bottom of the hood and the cooktop (distance x in above DUCTLESS diagram). For higher ceiling installations, the **High Ceiling Chimney Kit** includes an additional support structure which adds 27 1/2" to the various ceiling heights in the figures above.

Pre-Planning Your Installation - Important: Consult the installation instructions before you begin installing this rangehood.

Make your ductrun as straight and short as possible. The ductrun should not exceed 35 equivalent feet if ducted with the required minimum of 6" round duct. Count 45° angles as 3 feet, 90° elbows as 5 feet, and 90° flat elbows as 12 feet.

For best results, use no more than three 90° elbows. Make sure that there is a minimum of 24" of straight duct between elbows if more than one is used. Do not install two elbows together. If you must elbow right away, do it as far away from the hood's exhaust opening as possible.



Ductless Installations*

For installations where ductwork is impossible or highly impractical, a **Ductless Conversion Kit** is available. A charcoal filter, which attaches under the blower assembly, absorbs smoke and odors. A ductless diverter assembly directs the air out to a lower chimney with vent grates cut into the sides.

* it is highly recommended that professional style cooking always be vented to the outside.

Rev. 07/11

WARNING! Product specifications are subject to change without notification. Consult the installation instructions before you begin installing this rangehood.