

Use and Care Manual

Renaissance[®] Range Hoods

Models RNHP30, RNHP36, and RNHP48

Table of Contents

Important Safety Instructions	1
Parts of the Range Hood	3
Operating Instructions.....	4
Care and Cleaning	5
Before You Call for Service.....	7
Warranty and Service	7
Warranty Card	Back Cover





To Our Valued Customer:

Congratulations on your purchase of the very latest in Dacor® products! Our unique combination of features, style and performance make us The Life of the Kitchen™, and a great addition to your home.

In order to familiarize yourself with the controls, functions and full potential of your new Distinctive Appliance, read this use and care manual thoroughly, beginning with the **Important Safety Instructions** section.

All Dacor appliances are designed and manufactured with quality and pride, while working within the framework of our company value. Should you ever experience a problem with your product, please first check the **Before You Call for Service** section of this manual for guidance. It provides useful suggestions and remedies prior to calling for service.

Valuable customer input helps us to continuously improve our products and services, so please feel free to contact our Customer Service Team for assistance with any of your product support needs.

Dacor Customer Service Team
14425 Clark Avenue
City of Industry, CA 91745

Telephone: (800) 793-0093
Fax: (626) 403-3130
Hours of Operation: Monday through Friday
6:00 A.M. to 5:00 P.M. Pacific Time
Web Site: www.dacor.com

Thank you for choosing Dacor for your home. We are a company built by families for families and we are dedicated to serving yours. We are confident that your new Dacor product will deliver a high level of performance and enjoyment for many years to come.

Sincerely,

The Dacor Customer Service Team

Important Safety Instructions

Installer: Leave these instructions with the appliance. Write the *data plate information* below before installing the unit.

Consumer: Read this Use and Care Manual completely before using this appliance. Save it for future reference. It contains important use and care information.

For Service and Warranty, see page 9.

If you have any questions, other than warranty questions, call:

Dacor Customer Service

(800) 793-0093 (U.S.A. and Canada)

Monday — Friday 6:00 A.M. to 5:00 P.M. Pacific Time

Web site: www.dacor.com

Have the **model and serial number** of your hood available.

Data Plate: Remove the filters to access the model and serial number labels found on the data plate. Record these numbers below for easy reference.

Model Number _____

Serial Number _____

Date of Purchase _____

At Dacor, we continuously improve the quality and performance of all our products. We may need to make changes to this appliance without updating these instructions. **Visit www.Dacor.com to download the latest version of this manual.**

Important Information About Safety Instructions

The **Important Safety Instructions** and warnings in this manual are not meant to cover all possible problems and situations that can occur. Use common sense and caution when installing, maintaining or operating this or any other appliance.

Always contact the Dacor Customer Service Team about problems or situations that you do not understand.

Safety Symbols and Labels

DANGER

Immediate hazards that **WILL** result in severe personal injury or death.

WARNING

Hazards or unsafe practices that **COULD** result in severe personal injury or death.

CAUTION

Hazards or unsafe practices that **COULD** result in *minor* personal injury or property damage.

DANGER

To avoid the possibility of explosion or fire, do not store or use combustible, flammable or explosive vapors and liquids (such as gasoline) inside or in the vicinity of this or any other appliance. Also keep items that could explode, such as aerosol cans away from cooktop burners, ovens and range hoods. Do not store flammable or explosive materials in adjacent cabinets or areas.

WARNING

WARNING - TO REDUCE THE RISK OF FIRE, ELECTRIC SHOCK, OR INJURY TO PERSONS, OBSERVE THE FOLLOWING:

- a. Use this unit only in the manner intended by the manufacturer. If you have questions, contact the manufacturer.
- b. Before servicing or cleaning unit, switch power off at service panel and lock the service disconnecting means to prevent power from being switched on accidentally. When the service disconnecting means cannot be locked, securely fasten a prominent warning device, such as a tag, to the service panel.

WARNING

STATE OF CALIFORNIA PROPOSITION 65 WARNINGS

WARNING: This product contains one or more chemicals known to the State of California to cause cancer.

WARNING: This product contains one or more chemicals known to the State of California to cause birth defects or other reproductive harm.

READ AND SAVE THESE INSTRUCTIONS

Important Safety Instructions

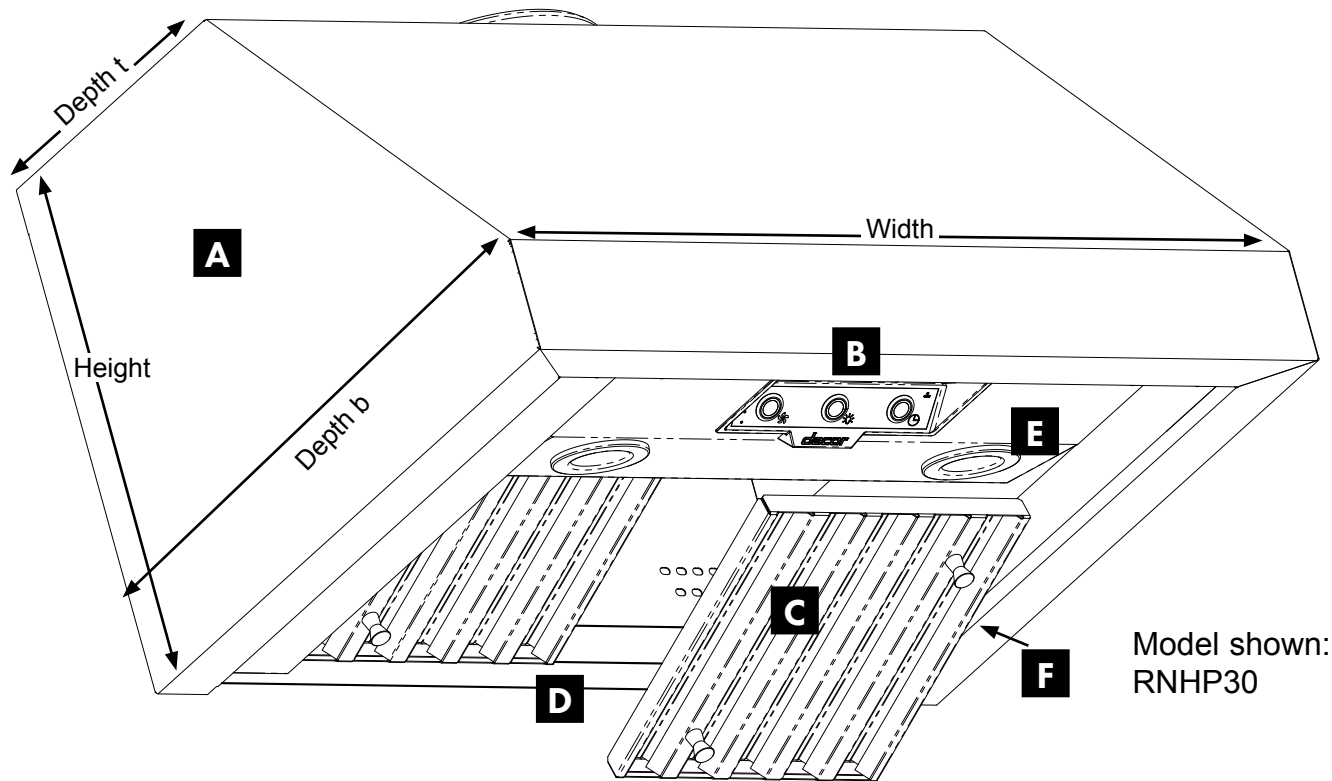
General Safety Precautions

To reduce the risk of fire, electric shock, serious injury, or death when using your range hood, follow basic safety precautions, including the following:

WARNING

- If you receive a damaged product, immediately contact your dealer or builder. Do not install or use a damaged hood.
- Make sure that the range hood has been correctly installed and grounded by a qualified installer according to the accompanying Installation Instructions. Have the installer show you the fuse or junction box so that you can turn the power ON/OFF.
- Do not install, repair, or replace any part of the range hood unless specifically recommended in the literature accompanying it. A qualified service technician should perform all other service.
- To avoid the risk of electric shock, before servicing the range hood, switch power off at the fuse or junction box and lock the electrical panel door to prevent power from being switched on accidentally. If the electrical panel cannot be locked, securely fasten a prominent warning device, such as a tag, to the service panel.
- To avoid the risk of electric shock, before cleaning the range hood, turn off the main power switch.
- Use the range hood only for its intended purpose as outlined in this manual. **DO NOT** use this range hood to vent hazardous or explosive materials or vapors. If you have questions, contact Dacor.
- Do not tamper with the controls.
- Never allow the filters to become blocked or clogged. Do not allow foreign objects, such as cigarettes or napkins, to be sucked into the hood.
- If the cooktop and range hood are near a window, use a secure window treatment. Avoid long drapes or other window coverings that could blow over the cooktop and hood, causing a fire hazard.
- Always run the fans whenever the cooktop is being used.
- Do not leave children alone or unattended in the area where the cooktop and range hood are in use. Never allow children to sit or stand on an appliance. Do not let children play with a range, cooktop, or range hood. Do not store items of interest to children above or around the cooktop, range or range hood.
- The minimum vertical distance between the cooktop surface and the exterior part of the hood must be no less than 30" (76.2 cm). The vertical distance may be longer for the range or cooktop being used. Consult the range or cooktop installation instructions for the minimum vertical distance from the appliance being used.
- To reduce the risk of a rangetop grease fire:
 - a. Never leave surface units unattended at high settings. Boil-overs cause smoking and greasy spill-overs that may ignite. Heat oils slowly on low or medium settings.
 - b. Always turn the hood ON when cooking at high heat or when flambéing food (i.e. Crepes Suzette, Cherries Jubilee, Peppercorn Beef Flambé).
 - c. Clean ventilating fans frequently. Grease should not be allowed to accumulate on filter or on any parts.
 - d. Use correct pan size. Always use cookware matching the size of the surface element or grate.
- **TO REDUCE THE RISK OF INJURY TO PERSONS IN THE EVENT OF A COOKTOP GREASE FIRE:**
 - a. **SMOTHER FLAMES** with a close-fitting lid, cookie sheet, or metal tray, then turn off the burner. **BE CAREFUL TO PREVENT BURNS.** If the flames do not go out immediately, **EVACUATE AND CALL THE FIRE DEPARTMENT.**
 - b. **NEVER PICK UP A FLAMING PAN** - you may be burned.
 - c. **DO NOT USE WATER**, including wet dish cloths or towels - a violent steam explosion may result.
 - d. Use a fire extinguisher **ONLY** if:
 - ◇ You have a Class ABC extinguisher, and you already know how to operate it.
 - ◇ The fire is small and contained in the area where it started.
 - ◇ The fire department is being called.
 - ◇ You can fight the fire with your back to an exit.

Parts of the Range Hood



A HOOD CANOPY The hood canopy is the housing that covers and unites all components and creates the hood system. The purpose of the hood ventilation system is to capture heat, smoke, and odors and move them outside.

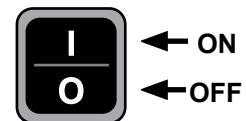
B CONTROL PANEL Located underneath the front of the hood. These buttons control the hood's various functions.

C FILTER Prevents grease and grime from getting into the fan(s). The number of filters depends on the model.

D GREASE CHANNEL A removable part of the filter system that helps capture grease.

E LIGHTS Recessed, dimmable 7.5W LED lights, size PAR16 E26/27. The quantity and placement of lights depends on the model.

F MAIN POWER SWITCH The main power switch is located inside the front of the hood. Remove the filters for access.



NOTE: When power is turned ON, or when power is restored after a power failure, the control panel lights will flash for a few seconds as the control panel re-boots.

Hood Specifications

Total Connected Load	120V, 60 Hz, 9 Amp. Max. (10 Amp. Max. surge)
Filters	Baffle style, ready-to-assemble, stainless steel, dishwasher safe
Lights	120V, 60 Hz., 7.5W Dimmable LED (Max. 75W for halogen and other bulbs) Size: PAR16, E26/27 Base

Model	Hood Width	Hood Height	Hood Depth b	Hood Depth t	Filters	Lights
RNHP3012	30 inches	12 inches	24 inches	11 7/8 inches	2	2
RNHP3018	30 inches	18 inches	24 inches	11 7/8 inches	2	2
RNHP3612	36 inches	12 inches	24 inches	11 7/8 inches	3	3
RNHP3618	36 inches	18 inches	24 inches	11 7/8 inches	3	3
RNHP4812	48 inches	12 inches	24 inches	11 7/8 inches	4	4
RNHP4818	48 inches	18 inches	24 inches	11 7/8 inches	4	4

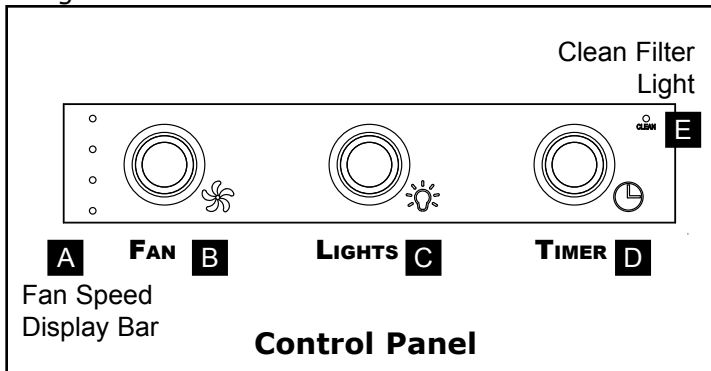
Operating Instructions

WARNING

Never operate the range hood without the filters in place. Also, do not use the hood with grimy or grease-laden filters. Personal injury, fire, or damage to the range hood could result.

Using the Hood Features

Control the fan(s), lights, and timer by pressing the illuminated blue buttons on the **control panel**. See image below.



Using the Fan

The **fan** has *four (4) speed settings*, then cycles to **OFF**.

The speed is indicated by the number of lights glowing on the **fan speed display bar A**.

1. Press the **FAN** button **B** to turn the fan ON.
2. Press it again to increase the speed, or to turn the fan off:
3. Press the **FAN** button until the fan turns OFF. As you repeatedly press and release the **FAN** button, the fan speed increases. After the highest speed is pressed, the fan will cycle to OFF.

Setting the Timer

Your hood is equipped with a **timer** to automatically turn the fan and/or lights OFF after ten minutes.

To Set the Timer:

1. Set the fan and/or lights to your desired setting.
 2. Press the **TIMER** button **D**, and the button will light, indicating the timer is ON.
- The fan and/or the lights will turn OFF after about ten minutes.

To Turn the Timer OFF:

1. Press the **TIMER** button. The light on the **TIMER** button will shut off, indicating that the timer is OFF.

Introducing the AUTO-ON Safety Feature

To protect the electronics from heat damage, the fan automatically turns ON when the temperature rises above 140°F (60°C). The fan speed increases with the heat.

To Temporarily Turn the AUTO-ON Feature OFF:

1. Press and release the **FAN** button until the fan shuts OFF.
 - If the temperature under the hood remains hotter than 140°F (60°C), the fan will start to protect the electronics from scorching.
 - Once the temperature drops below 130°F (54°C), the fan will automatically shut OFF.

Turning on the Lights

1. Press the **LIGHTS** button **C** *once* to turn the lights on the *high* setting.
2. Press the **LIGHTS** button *twice* to set the lights to *low*.
3. Press the **LIGHTS** button *three* times to turn the lights *off*.

Resetting the Clean Filter Light

After 50 hours of fan use, the **CLEAN FILTER** light **E** will illuminate to remind you to clean the filters.

To Turn the Light OFF:

1. At the same time, press and hold the **TIMER** button **D** and **FAN** button **B** for three seconds or until the light turns off.
2. Clean the filters if necessary. For instructions, follow **Cleaning the Filters** on the next page.

Important Operating Tips

- Always use the fan when cooking.
- Turn the fan on a few minutes before cooking to establish an airflow current in the room.
- Adjust the fan speed according to the volume and weight of the food you are cooking.
- Shut nearby windows and doors, turn off ceiling fans, and close nearby heating and air conditioning vents to reduce drafts around the hood.
- Place your largest pots and pans on the back burners when possible.
- *In the interest of safety*, heat oils and fats slowly.

Energy Saving Tips

- Keep the filter system and hood surfaces free of grease and debris to improve efficiency.
- Select cookware of the proper size, material, and construction for the cooking task.

Care and Cleaning

WARNING

To avoid the risk of fire, electric shock or personal injury:

- Turn off power to the hood at the circuit breaker panel or fuse box before cleaning.
- Clean the hood only in the manner specified.
- Use only the types of cleaning solutions specified in this manual.

WARNING

- Thoroughly dry the filter(s) immediately after cleaning.
- Turn off the cooktop or range and make sure that the appliance and range hood are cool before cleaning.
- To avoid damage to the fan, do not reinstall damaged filters (see page 6 for replacement part numbers).

Cleaning the Filters

To help remind you to clean the filters, the **CLEAN FILTER** light will come on after 50 hours of fan use. See page 4 for instructions on how to reset the light.

Be careful not to scratch the grease channel!

Removing the Filters

The filters **A** are located on the bottom of the hood. They are external, exposed pieces that lay directly above all heat, steam, and particulates that draw upward into the blower(s).

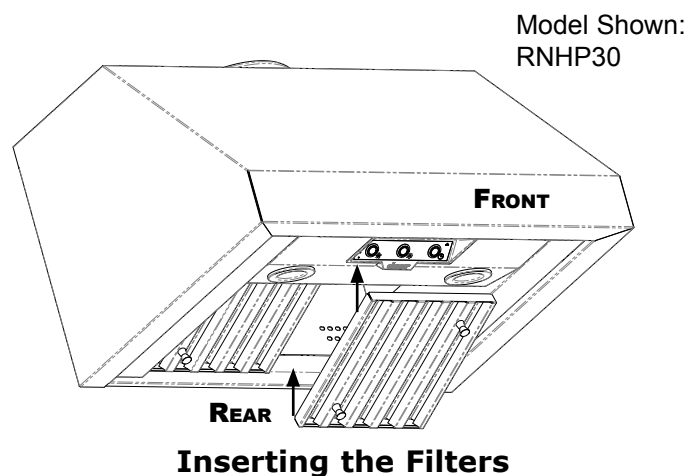
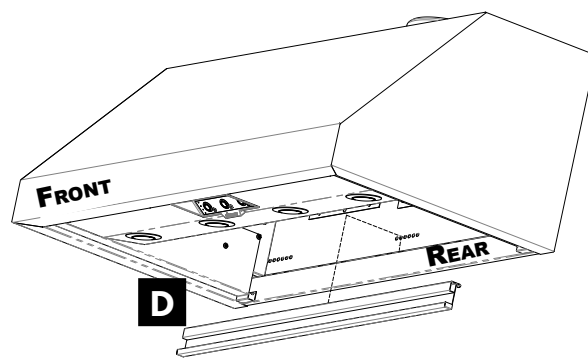
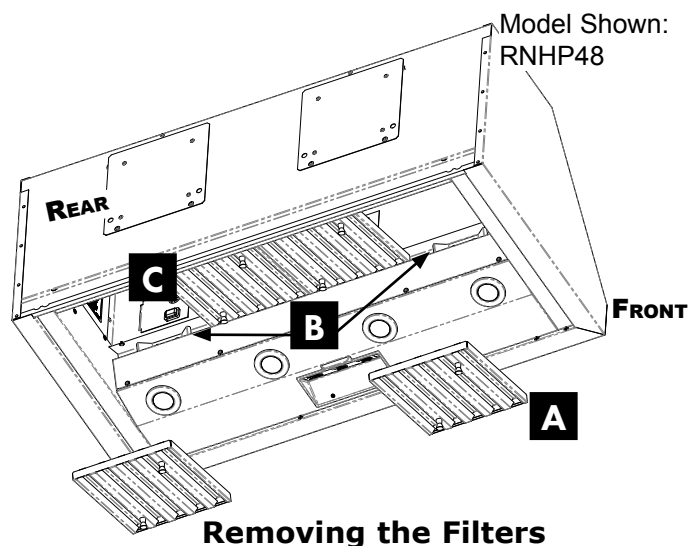
1. Study the illustrations and notice that the:
 - **tension clips B** in the front of the hood secure the filters in place.
 - **main power switch C** is easily accessible when the filters are removed; take care not to bump it when inserting the filters.
2. Grasp the filter knobs. Lift and push the filter forward into the **tension clips B** until the back no longer touches the **grease channel D**.
3. Carefully remove the filter *without scratching the grease channel*.

Cleaning the Filters and Grease Channel

1. Wash the filters in hot soapy water or place them in a dishwasher.
2. Unhinge the grease channel and clean with a hot, soapy sponge. You may need to carefully stand on a sturdy chair (with assistance) while you reach inside the hood, lift up the grease channel with both hands, and detach the piece.
3. Dry the grease channel and filters before reinstalling them.

Inserting the Filters

1. Grasp the filter knobs, and push the front of the filter firmly against the tension clip **B**. This will give you clearance to:
2. Carefully lift the rear of the filter *up into* the hood, and
3. With the front still pressed against the tension clip lower the rear and set it on the grease channel.
4. Wipe fingerprints and adjust as necessary.



Care and Cleaning

Maintenance

Cleaning the Stainless Steel

Clean stainless steel surfaces with a mild solution of dishwashing liquid and warm water.

ALWAYS WIPE *WITH* THE GRAIN OF THE STEEL.
Do not use abrasive cleaners or abrasive cloths.

Rinse and dry with a micro-fiber cloth or other lint-free cloth.

We recommend Dacor Stainless Steel Cleaner. Use it according to the directions on the package

Replacing the Light Bulbs

Light bulb replacement is considered to be homeowner maintenance. Before replacing any bulbs, or if any light does not work, check to make sure that the power is on at the circuit breaker, fuse box, light switch, or the main power button (page 5).

If you are replacing the bulb outside of Dacor's service, please bring the bulb with you to avoid any compatibility problems.

SPECIFICATIONS: LED Dimmable or Halogen
75W Max, 120V
PAR16, E26/27, 500 lumens

Replacing the Light Bulbs

1. Turn the power OFF at the circuit breaker or fuse box. (This avoids damage if a short occurs.)
2. Gently push the suction cup tool **A** (provided with your range hood) onto the lens of the light bulb. **B** Make sure the lens is grease-free.
3. Turn the tool handle *left* to loosen the bulb.
4. Remove the tool and bulb.
5. Insert the replacement bulb inside the housing and tighten. If the bulb remains loose:
6. Attach the suction cup to the lens of the replacement bulb. **C** Make sure the lens is grease-free.
7. Tighten this new bulb into the housing. Twist *right* until it is tight.
8. Remove the suction cup from the bulb.
9. Turn the power ON at the fuse box or circuit panel.

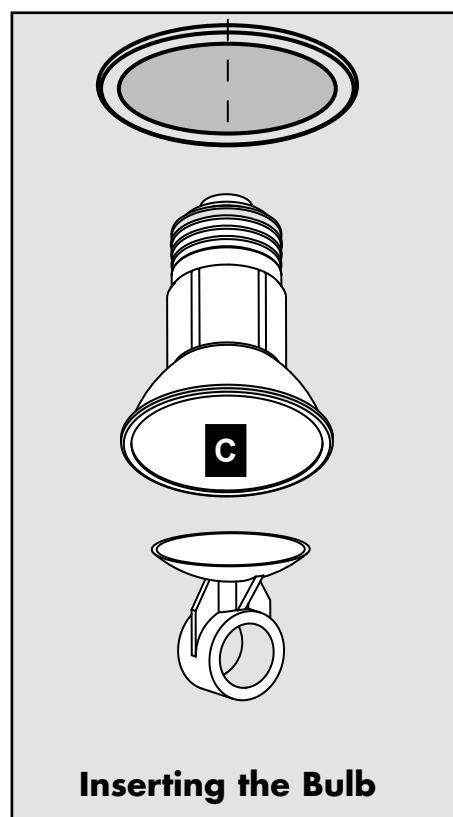
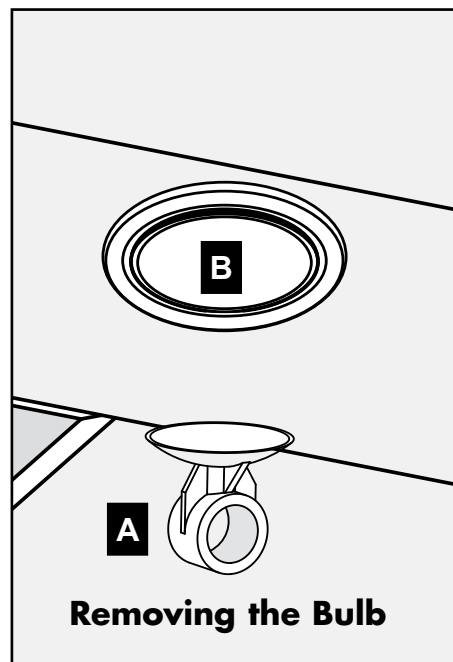
Replacement Parts

Order at www.everythingdacor.com

Dacor Part Number	Description
702666	Dimmable LED Bulb Replacement Kit (1 bulb + 1 suction cup tool)
702579	Baffle Filter Kit (1 pc + hardware)
702580	Baffle Filter Kit (2 pc + hardware)

WARNING

- To prevent electric shock, turn power OFF at the fuse box or circuit breaker panel before replacing the light bulb.
- To avoid the risk of fire, do not use any light bulb stronger than 75W, 120V
- To avoid personal injury, make sure the hood and the light lens are cool before changing the light bulb.



Before You Call for Service

Problem – Solution Guide

Problem	May Be Caused By	What to Do (Solution)
Nothing Works: Control panel is not lit. Fan does not work. Lights do not work.	Main power switch is off. Power to hood is off.	Check the main power switch inside the hood. Turn on power at junction or fuse box. Check for tripped breaker or blown fuse.
	Power outage.	Call your electric company.
	Hood not connected to electric power.	Have qualified electrician connect hood to electric power.
Light(s) does not work. (But control panel is lit and fan works.)	Loose light bulb.	Check to make sure that the light bulb is screwed in completely (see page 6).
	Light bulb is burned out.	Replace light bulb (see page 6).
Fan does not draw enough heat and smoke properly.	Fan is set too low.	See Operating Instructions section.
	Filters are clogged or dirty. Open windows, drafts, HVAC interference.	Check filters. Make sure they are completely clean and not blocked by grease or foreign objects. Check for drafts, airflow interference
	Damper jammed shut or ductwork clogged.	Consult with a qualified installation professional.*
Fan shuts off by itself.	Hood's Timed feature may have been set.	If the timer is set, the fan will turn off after 10 minutes. See Timed Feature on page 4.
Fan does not work. (But control panel is lit and lights work.)	Electrical malfunction in FAN.	Call for service.
Fan comes on by itself.	Hood's AUTO-ON feature may have started.	The fan comes on automatically when the temperature rises above 140°F (60°C). The AUTO-ON feature protects the control panel from damage due to overheating. The fan will automatically turn off when the temperature goes below 140°F (60°C), if the fan control is set to "off". This safety feature cannot be turned off. See page 4 for more details.

* The duct work connected from the range hood chimney to outside the house or building required to vent heat and smoke is not manufactured, warranted or serviced by Dacor. The consumer is responsible for having a qualified installer install and maintain the duct work.

Warranty and Service

Getting Help

Before you request service:

1. Review the **Before You Call For Service** section above.
2. Use the helpful tips found in our **Problem – Solution Guide**.
3. Become familiar with the warranty terms and conditions of your product on the following page.
4. If none of these tips or suggestions resolves your problem, call our Customer Service center at the number shown.

Dacor's Customer Service center is available
6:00 A.M. – 5:00 P.M. Pacific Time

For warranty repairs or questions and for Dacor Distinctive Service (DDS) in the US and Canada
Phone: (800) 793-0093, extension 2822

For non-warranty repairs or questions in the US and Canada
Phone: (800) 793-0093, extension 2813

Contact us through our website at:

www.dacor.com/contact-us

Warranty and Service

Warranty

What is Covered

CERTIFICATE OF WARRANTIES: DACOR RANGE HOODS

WITHIN THE FIFTY STATES OF THE U.S.A., THE DISTRICT OF COLUMBIA AND CANADA*:

FULL ONE-YEAR WARRANTY

The warranty applies only to the Dacor appliance sold to the first use purchaser, starting from the date of original retail purchase or closing date for new construction, whichever period is longer. Warranty is valid on products purchased brand new from a Dacor Authorized Dealer or other seller authorized by Dacor.

If your Dacor product fails to function within one year of the original date of purchase, due to a defect in material or workmanship, Dacor will remedy it without charge to you.

All cosmetic damage (such as scratches on stainless steel, paint/porcelain blemishes, etc.) to the product or included accessories must be reported to Dacor within 60 days of the original purchase date to qualify for warranty coverage.

Consumable parts such as filters and light bulbs are not covered and are the responsibility of the purchaser.

LIMITATIONS OF COVERAGE

Service will be provided by a Dacor designated service company during regular business hours. Please note service providers are independent entities and are not agents of Dacor.

Dealer display and model home display products with a production date greater than 5 years, products sold "As Is," and products installed for non-residential use, which include but are not limited to religious organizations, fire stations, bed and breakfast and spas carry a one year parts warranty only. All delivery, installation, labor costs and other service fees are the responsibility of the purchaser.

Warranty will be null and void on product that has altered, defaced or missing serial numbers and tags.

The owner must provide proof of purchase or closing statement for new construction upon request. All Dacor products must be accessible for service

*Warranty is null and void if non-UL approved product is transported from the U.S.

OUTSIDE THE FIFTY STATES OF THE U.S.A., THE DISTRICT OF COLUMBIA AND CANADA:

LIMITED FIRST YEAR WARRANTY

If your Dacor product fails to function within one year of the original date of purchase due to a defect in material or workmanship, Dacor will furnish a new part, F.O.B. factory to replace the defective part.

All delivery, installation, labor costs and other service fees are the responsibility of the purchaser.

What Is Not Covered

- Slight color variations may be noticed because of differences in painted parts, kitchen lighting, product placement and other factors; this warranty does not apply to color variation.
- Service calls to educate the user on proper use and care of the product.
- Service fees for travel to islands and remote areas, which include but are not limited to, ferries, toll roads or other travel expenses.
- Consequential or incidental damage, including but not limited to food or medicine loss, time away from work or restaurant meals.
- Failure of the product when used for commercial, business, rental or any application other than for residential consumer use.
- Failure of the product caused by improper product installation.
- Replacement of house fuses, fuse boxes or resetting of circuit breakers.
- Damage to the product caused by accident, fire, flood, power interruption, power surges or other acts of God.
- Liability or responsibility for damage to surrounding property including cabinetry, floors, ceilings and other structures or objects around the product.
- Breakage, discoloration or damage to glass, metal surfaces, plastic components, trim, paint or other cosmetic finish caused by improper usage, care, abuse or neglect.

Out of Warranty

Should you experience a service issue beyond the standard warranty period, please contact us. Dacor reviews each issue and customer concern to provide the best possible solution based on the circumstances

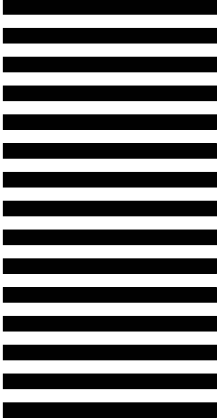
THE REMEDIES PROVIDED IN THE ABOVE EXPRESS WARRANTIES ARE THE SOLE AND EXCLUSIVE REMEDIES. THEREFORE, NO OTHER EXPRESS WARRANTIES ARE MADE, AND OUTSIDE THE FIFTY STATES OF THE UNITED STATES, THE DISTRICT OF COLUMBIA AND CANADA, ALL IMPLIED WARRANTIES, INCLUDING BUT NOT LIMITED TO, ANY IMPLIED WARRANTY OF MERCHANTABILITY OR FITNESS FOR A PARTICULAR USE OR PURPOSE, ARE LIMITED IN DURATION TO ONE YEAR FROM THE DATE OF ORIGINAL PURCHASE. IN NO EVENT SHALL DACOR BE LIABLE FOR INCIDENTAL EXPENSE OR CONSEQUENTIAL DAMAGES. IN THE EVENT DACOR PREVAILS IN ANY LAWSUIT, DACOR SHALL BE ENTITLED TO REIMBURSEMENT OF ALL COSTS AND EXPENSES, INCLUDING ATTORNEY'S FEES, FROM THE DACOR CUSTOMER. NO WARRANTIES, EXPRESS OR IMPLIED, ARE MADE TO ANY BUYER FOR RESALE.

Some states do not allow limitations on how long an implied warranty lasts, or do not allow the exclusion or limitation of inconsequential damages, therefore the above limitations or exclusions may not apply to you. This warranty gives you specific legal rights, and you may also have other rights that vary from state to state.

fold here



NO POSTAGE
NECESSARY
IF MAILED
IN THE
UNITED STATES



BUSINESS REPLY MAIL
FIRST-CLASS MAIL PERMIT NO 1600 CITY OF INDUSTRY CA

POSTAGE WILL BE PAID BY ADDRESSEE

**DACOR
ATTN WARRANTY PROCESSING DEPT
PO BOX 90070
CITY OF INDUSTRY CA 91715-9907**





Please visit www.dacor.com to activate your warranty online.

WARRANTY INFORMATION



IMPORTANT:

Your warranty will not be activated until you activate it online or return this form to Dacor. If you have purchased more than one Dacor product, please return all forms in one envelope or activate the warranty for each product online.

Please rest assured that under no conditions will Dacor sell your name or any of the information on this form for mailing list purposes. We are very grateful that you have chosen Dacor products for your home and do not consider the sale of such information to be a proper way of expressing our gratitude!

Owner's Name: _____
Last (Please Print or Type) First Middle

Street: _____

City: _____ State: _____ Zip: _____

Purchase Date: _____ Email: _____ Telephone: _____

Dealer: _____

City: _____ State: _____ Zip: _____

Your willingness to take a few seconds to fill in the section below will be sincerely appreciated. Thank you.

1. How were you **first** exposed to Dacor products? (Please check one only.)

- A. T.V. Cooking Show
- B. Magazine
- C. Appliance Dealer Showroom
- D. Kitchen Dealer Showroom
- E. Home Show
- F. Builder
- G. Architect/Designer
- H. Another Dacor Owner
- I. Model Home
- J. Other _____

2. Where did you buy your Dacor appliances?

- A. Appliance Dealer
- B. Kitchen Dealer
- C. Builder Supplier
- D. Builder
- E. Other _____

3. For what purpose was the product purchased?

- A. Replacement **only**
- B. Part of a Remodel
- C. New Home
- D. Other _____

4. What is your household income?

- A. Under \$75,000
- B. \$75,000 – \$100,000
- C. \$100,000 – \$150,000
- D. \$150,000 – \$200,000
- E. \$200,000 – \$250,000
- F. Over \$250,000

5. What other brands of appliances do you have in your kitchen?

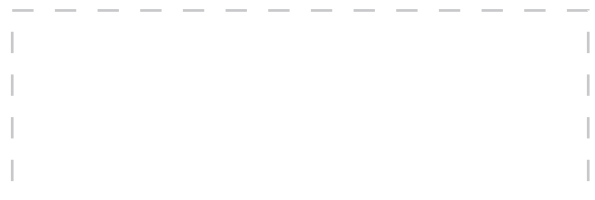
- A. Cooktop _____
- B. Oven _____
- C. Dishwasher _____
- D. Refrigerator _____

6. Would you buy or recommend another Dacor product?

- Yes
- No

Comments: _____

Thank you very much for your assistance. The information you have provided will be extremely valuable in helping us plan for the future and giving you the support you deserve.



cut here

cut here