



Renaissance®

RNMD30/RNMD24 - S/B

Features:

Drawer Configuration for under the counter installations.

Automatic Drawer Opening for easy loading and unloading.

Beverage Center enables you to restore coffee or tea to a suitable drinking temperature or to make instant coffee or tea.

Sensor Cooking in three easy steps prepares your selected food choice.

Multiple Sequence Cooking programs up to 4 automatic cooking sequences, switching from one power level setting to another automatically.

Keep Warm keeps food warm up to 30 minutes.

Easy Minute allows you to cook for a minute at 100% by simply touching the Easy Minute key.

Automatic Start lets you program the microwave to begin cooking automatically at a designated time of day.

Control Lock prevents unwanted operation, such as by small children, and can be set so that the control panel is deactivated or locked.

950 Watts

Finish: Stainless Steel

Interior Capacity: 1.2 cu. ft.

Find enhanced ergonomics and convenience in an unconventional location with Dacor's Microwave-In-A-Drawer™. This unique design also frees your counter space for cooking preparation and small kitchen appliance storage.

The touch of a key is all it takes to make your favorite popcorn or reheat your morning coffee. And on hot days, you can still prepare delicious complete meals without turning on the oven ~ from appetizers to desserts.

Tucked away in your cabinetry, this Microwave-In-A-Drawer is convenient and easy to use.

Just what the home chef ordered!

Learn more at:
<http://www.dacor.com/Products/Microwaves>

Visit www.dacor.com or call 1.800-793.0093, ext. 3812

\$1,499

RNMD30

\$1,449

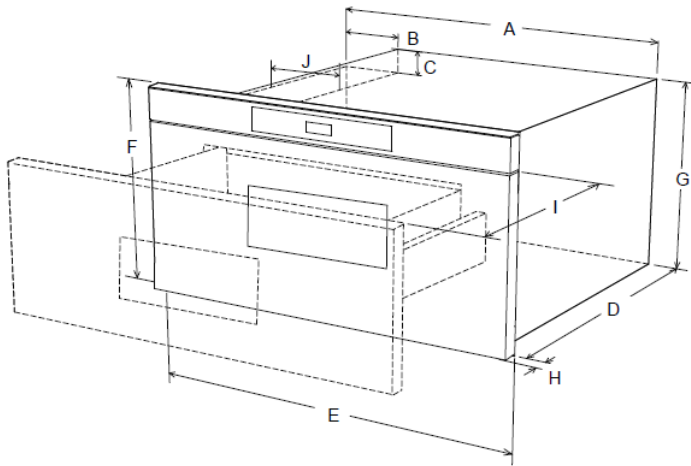
RNMD24

Electrical Requirements:

Product Dimensions:

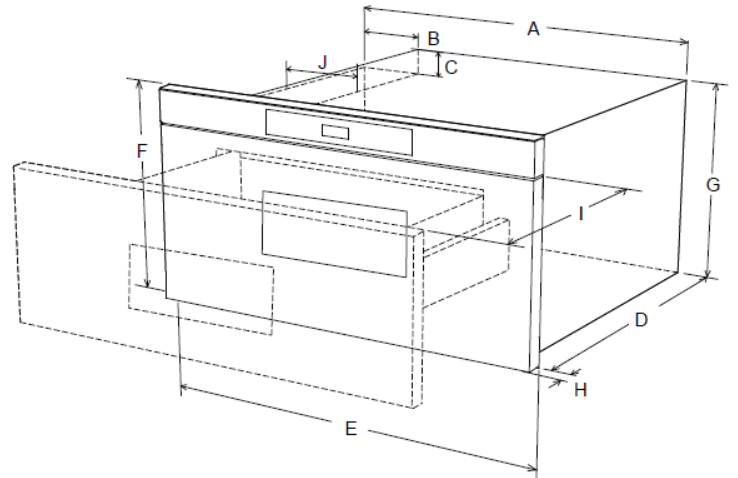
All tolerances $\pm 1/16"$ (± 1.6 mm) unless otherwise noted.

RNMD24



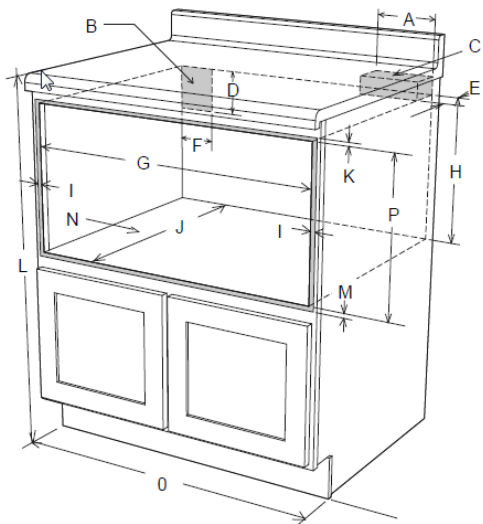
- A. 21 5/8"
- B. 4 11/16"
- C. 1 3/4"
- D. 21 7/8"
- E. 23 7/8"
- F. 15 7/8"
- G. 14 19/32"
- H. 1 9/64" door thickness
- I. 15" auto drawer opening
- J. 4"

RNMD30



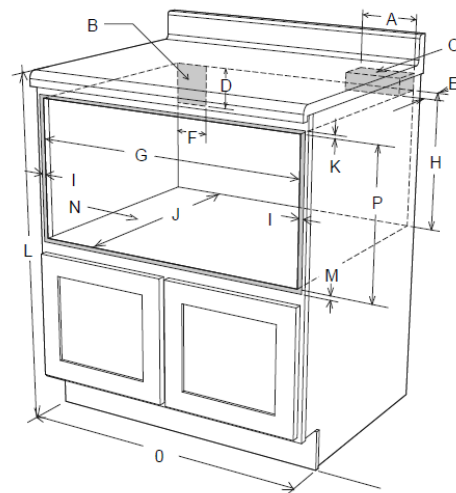
- A. 21 5/8"
- B. 4 11/16"
- C. 1 3/4"
- D. 21 7/8"
- E. 30"
- F. 15 7/8"
- G. 14 19/32"
- H. 1 9/64" door thickness
- I. 15" auto drawer opening
- J. 4"

RNMD24



- A. 6"
- B. Electrical outlet location
- C. Anti-tip block
- D. 5"
- E. 3 1/2"
- F. 4"
- G. 22 1/8" opening
- H. 14 13/16" to bottom of anti-tip block
- I. Allow 7/8" minimum overlap
- J. 23 1/2" minimum depth
- K. Allow 3/16" minimum overlap
- L. 36" nominal countertop height
- M. Allow 1/8" minimum overlap
- N. Floor must support 100 lbs.
- O. *24" cabinet minimum
- NOTE:** Open Top Cabinet illustrated

RNMD30



- A. 6"
- B. Electrical outlet location
- C. Anti-tip block
- D. 5"
- E. 3 1/2"
- F. 4"
- G. 22 1/8" minimum
28 7/16" maximum
- H. 14 13/16" to bottom of anti-tip block
- I. Allow 23/32" minimum overlap
- J. 23 1/2" minimum depth
- K. Allow 3/16" minimum overlap
- L. 36" nominal countertop height
- M. Allow 1/8" minimum overlap
- N. Floor must support 100 lbs.
- O. *30" cabinet minimum
- P. 15 9/16" opening
- NOTE:** Open Top Cabinet illustrated