



Installation Instructions

Discovery[®] 42-inch Built-in Stainless Refrigerator

Model DYF42BSIWS

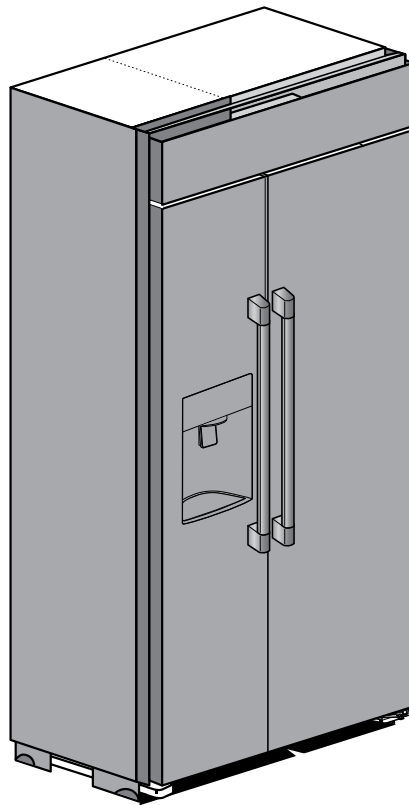


Table of Contents

Before You Begin	1	Installation Instructions	13
Refrigerator Safety	2	Inserting 90-Degree Door-Stops.....	13
Installation Safety	4	Meeting Electrical Requirements.....	14
Location and Installation Safety.....	5	Connecting to the Main Water Supply.....	15
Specification Sheet	6	Connecting the Water Line.....	16
Tipping Radius	7	Attaching to the Cabinet.....	17
Installation Requirements	8	Removing / Attaching the Top Grill.....	18
Tools and Parts.....	8	Adjusting the Height.....	19
Cutout Requirements.....	9	Adjusting the Door Height.....	20
Product Specifications	10	Adjusting the Door Gap.....	21
Refrigerator Dimensions.....	10	Wiring Diagram	23
Refrigerator with Cabinet Dimensions.....	11	Printed Circuit Board (PCB).....	23
Door-Swing Radius.....	12		

Before You Begin...

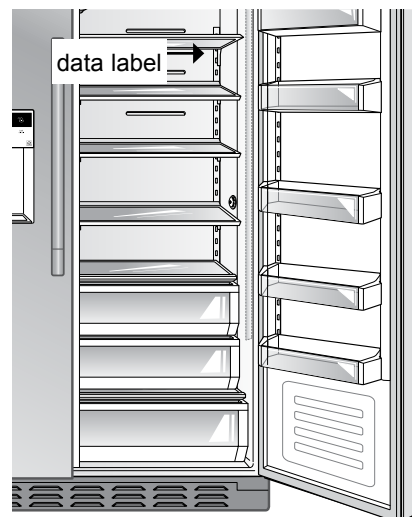
Important

Installer: In the interest of safety and to minimize problems, read this *Installation Instructions* manual carefully and completely before you begin the installation. Leave these installation instructions with the user.

Also, write the model and serial number of the appliance(s) you are installing below so our user can reference them in the future.

This information is found on the data sticker label located inside the refrigerator.

User: Keep this *Installation Instructions* manual for future needs and for the local inspector's reference.



If you have questions or problems with installation, contact your Dacor dealer or the Customer Service Team at Dacor.

Whenever you call, please have the *model and serial number* of the product(s) ready.

This information is found on the data sticker label located inside the refrigerator.

Dacor Customer Service

Phone: (800) 793-0093 (U.S.A. and Canada)
Monday — Friday 6:00 A.M. to 5:00 P.M. Pacific Time

Website: www.dacor.com

**All specifications subject to change without notice.
Dacor assumes no liability for changes to specifications.**

Refrigerator Safety

Important Safety Instructions

The **Important Safety Instructions** and warnings in these instructions are not meant to cover all possible problems and conditions that can occur.

Use common sense and caution when installing, maintaining, or operating this or any other appliance.

Always contact the Dacor Customer Service Team about problems and conditions that you don't understand.

Safety Symbols and Labels

These alerts are meant to bring attention to important areas in the manual.

Whenever you see these symbols or labels, read the message carefully before continuing.

DANGER

Immediate hazards that **WILL** result in severe personal injury or death.

WARNING

Hazards or unsafe practices that **COULD** result in severe personal injury or death.

CAUTION

Hazards or unsafe practices that **MIGHT** result in minor personal injury or property damage.

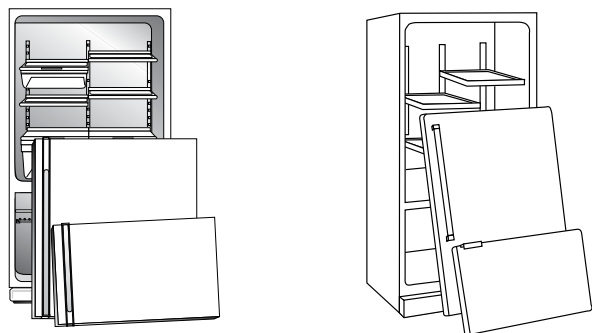
Correct Disposal of Your Old Refrigerator

IMPORTANT: Child entrapment and suffocation are not problems of the past. Junked or abandoned refrigerators are still dangerous, even if they will sit for "just a few days."

If you are getting rid of your old refrigerator, please follow these instructions to help prevent accidents.

Before You Discard Your Old Refrigerator or Freezer:

- Take off the doors.
- Leave the shelves in place so that children may not easily climb inside.



DANGER

To avoid the possibility of explosion or fire, do not store or use combustible, flammable or explosive vapors and liquids (such as gasoline) inside or in the vicinity of this or any other appliance. Also keep items that could explode, such as aerosol cans away from cooktop burners, ovens and range hoods. Do not store flammable or explosive materials in adjacent cabinets or areas.

WARNING

WARNING - TO REDUCE THE RISK OF FIRE, ELECTRIC SHOCK, OR INJURY TO PERSONS, OBSERVE THE FOLLOWING:

- Use this unit only in the manner intended by the manufacturer. If you have questions, contact the manufacturer.
- Before servicing or cleaning unit, switch power off at the circuit breaker panel and lock the panel to prevent power from being switched on accidentally. When the circuit breaker panel cannot be locked, securely fasten a prominent warning device, such as a tag, to the service panel.

WARNING

STATE OF CALIFORNIA PROPOSITION 65 WARNINGS

WARNING: This product contains one or more chemicals known to the State of California to cause cancer.

WARNING: This product contains one or more chemicals known to the State of California to cause birth defects or other reproductive harm.

WARNING

Suffocation Hazard

Remove doors from the old refrigerator:

Failure to do so can allow children to be trapped inside without air, resulting in death or brain damage.

Important Information to Know about Disposal of Refrigerants:

Dispose of refrigerator in accordance with Federal and Local regulations. Refrigerants must be evacuated by a licensed, EPA certified refrigerant technician in accordance with established procedures.

SAVE THESE INSTRUCTIONS

Sécurité du réfrigérateur

Sécurité du réfrigérateur

Nous donnons de nombreux messages de sécurité importants dans ce manuel et sur votre appareil ménager. Assurez-vous de toujours lire tous les messages de sécurité et de vous y conformer.

Ce guide contient plusieurs **messages de sécurité très importants**. Lisez-les tous et obéissez-les alertes.

Ce symbole d'alerte de sécurité

Tous les messages de sécurité identifieront le risque, vous diront comment diminuer les possibilités de blessure et vous expliqueront ce qui peut arriver en cas de non respect des instructions.

Tous les messages de sécurité seront précédés de ce symbole d'avertissement pour votre sécurité et de mots qui signalent DANGER, PRUDENCE ou AVERTISSEMENT. Ces mots signifient :

DANGER

DANGER – Vous serez mort ou sérieusement blessé si vous ne suivez pas ces instructions.

PRUDENCE

PRUDENCE – Vous risquez la mort ou des blessures sérieuses si vous ne suivez pas ces instructions.

AVERTISSEMENT

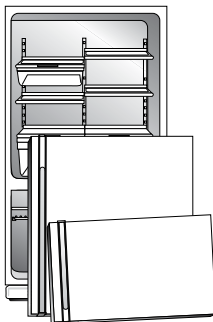
AVERTISSEMENT – Indique une situation de risque imminent qui, en cas d'accomplissement, peut aboutir à des blessures secondaires ou modérées, ou simplement endommager l'appareil.

Mise au rebut du réfrigérateur – méthode appropriée

IMPORTANT: L'emprisonnement et l'étouffement des enfants ne sont pas un problème du passé. Les réfrigérateurs jetés ou abandonnés sont encore dangereux, même s'ils sont abandonnés pendant «quelques jours seulement». Si vous vous débarrassez de votre vieux réfrigérateur, veuillez suivre les instructions ci-dessous pour aider à éviter les accidents.

Avant de jeter votre vieux réfrigérateur ou congélateur :

- Enlever les portes.
- Laisser les tablettes en place de sorte que les enfants ne puissent pas y pénétrer facilement.



DANGER



Risque d'explosion

Garder les matériaux et les vapeurs inflammables, telle que l'essence, loin du réfrigérateur.

Le non-respect de cette instruction peut causer un décès, une explosion ou un incendie.

AVERTISSEMENT



Risque de choc électrique

Brancher sur une prise à 3 alvéoles reliée à la terre.

Ne pas enlever la broche de liaison à la terre.

Ne pas utiliser un adaptateur.

Ne pas utiliser un câble de rallonge.

Le non-respect de ces instructions peut causer un décès, un incendie ou un choc électrique.

WARNING

DE LA PROPOSITION 65 DE L'ÉTAT DE CALIFORNIE :

AVERTISSEMENT : Ce produit contient au moins un produit chimique connu par l'État de Californie pour être à l'origine de cancers.

AVERTISSEMENT : Ce produit contient au moins un produit chimique connu par l'État de Californie pour être à l'origine de malformations et autres déficiences de naissance.

AVERTISSEMENT

Risque de suffoquer

Enlever les portes de votre vieux réfrigérateur :

Le non-respect de cette instruction peut causer un décès ou des lésions cérébrales.

Renseignements importants à propos de la mise au rebut des fluides réfrigérants :

Mettre le réfrigérateur au rebut conformément à la réglementation fédérale et locale. Les fluides réfrigérants doivent être évacués par un technicien certifié et agréé par l'EPA conformément aux procédures établies.

CONSERVEZ CES INSTRUCTIONS

Installation Safety

Location and Installation Safety

WARNING

- Before installing the refrigerator, connect it to a power outlet and turn the refrigerator ON to make sure the refrigerator is working.
- Choose a location away from the heat of a heater, boiler, or direct sunlight.
- Install the unit where air flows freely and where the refrigerator is well ventilated.
- Install the unit so that air flows unobstructed through the front air grill. If the air circulation is not ensured, it may interfere with the normal functioning of the product.
- Outside animals (rodents) can chew on the power cord and cause a fire; therefore, install the unit where there is no access to animals.
- If the cabinet is made of soft material (ex: plaster, etc.), it can have a weak structure and be damaged. Therefore, use a cabinet made of sturdy, strong material.
- Install the refrigerator with a team of at least 2 people.
- Refer to the dimensions of the cabinet and prepare the cabinet with good air circulation.
- Install the unit where it is level. (Within 1 mm horizontally and vertically). If the product is not leveled horizontally and vertically, it can be difficult to install the unit.
- The floor must be made of strong material and not sag when 600 lb (272 kg) of weight is applied.
- During the installation, protect children from parts and installation dangers.
- During the installation, take out the screws from the parts bag one-by-one to avoid any injury from sharp parts.
- Do not use a power strip; plug directly into a wall outlet.
- Use cabinet that will not warp from product heat emissions or humidity from the opening and closing of the refrigerator.



IMPORTANT

If any doorways are too small for the refrigerator to pass through, the doors on the refrigerator can be removed.

This refrigerator is a “built-in” style refrigerator, meaning that the refrigerator requires installation inside a recess in existing kitchen cabinetry.

The sides of the refrigerator are unfinished; they are meant to be attached to the inside walls of the cabinetry. The sides of the refrigerator are not to be visually exposed.

Before moving the refrigerator, clear the route to the location where it will be installed.

Check all product dimensions and the tipping radius with any doorways, hallways, stairs, corners, etc., to ensure a clear passageway.

WARNING



Tip Hazard

Refrigerator is top-heavy and tips easily when not securely installed.

Keep doors taped closed until refrigerator is in its final position and ready to be secured in place.

Use two or more people to move and install refrigerator.

Failure to do so can result in death or serious injury.

DANGER



Explosion Risk

Keep flammable materials and vapors - such as gasoline - away from the refrigerator.

Failure to do so can result in death, explosion, or fire.

Sécurité d'emplacement

Exigences d'emplacement

⚠️ AVERTISSEMENT

Observer les dispositions de tous les codes et règlements en vigueur.

- On recommande de ne pas installer le réfrigérateur près d'un four, d'un radiateur ou de toute autre source de chaleur.
- Ne pas installer l'appareil là où la température pourrait baisser au-dessous de 55°F (13°C).
- Le plancher doit pouvoir supporter le poids du réfrigérateur, soit plus de 600 lb (272 kg), en plus des panneaux de porte et du contenu du réfrigérateur.
- La hauteur sous plafond doit être suffisante pour permettre le basculement latéral du réfrigérateur.
- L'emplacement doit permettre l'ouverture complète des portes.
- L'emplacement d'installation doit permettre la dépose de la grille supérieure. Voir Dimensions de l'ouverture.
- Brancher l'appareil sur une prise à 3 alvéoles reliée à la terre.
- Ne pas enlever la broche de liaison à la terre.
- Ne pas utiliser un adaptateur.
- Ne pas utiliser un câble de rallonge.
- Débrancher la source de courant électrique avant l'entretien.
- Replacer pièces et panneaux avant de faire la remise en marche.
- Enlever les portes de votre vieux réfrigérateur.
- Utiliser un produit de nettoyage ininflammable.
- Garder les matériaux et les vapeurs inflammables, telle que l'essence, loin du réfrigérateur.
- Utiliser deux ou plus de personnes pour déplacer et installer le réfrigérateur.
- Débrancher le réfrigérateur avant l'installation de la machine à glaçons (seulement pour modèles prêts à recevoir une machine à glaçons).
- Utiliser un verre robuste pour prendre des glaçons (sur certains modèles).



REMARQUE

Si toutes les portes sont trop petites pour le réfrigérateur de passer à travers, les portes du réfrigérateur peuvent être enlevés.

Installer le réfrigérateur de façon à pouvoir le dégager facilement du mur pour entretien ou réparation.

- Une prise de courant à 3 alvéoles reliée à la terre doit être installée tel qu'illustré ci-dessous.
- Le robinet d'arrêt doit se trouver dans le placard inférieur, d'un côté ou de l'autre du réfrigérateur ou à un autre droit facilement accessible.

REMARQUE : Le plancher sous le réfrigérateur doit être au même niveau (affleurement) que le plancher de la pièce. Le devant du placard doit être droit.

Si le robinet d'arrêt de la canalisation d'eau n'est pas installé dans un placard adjacent, la canalisation d'eau peut parvenir au réfrigérateur à travers le plancher ou le mur arrière.



AVERTISSEMENT



Risque de basculement

Le réfrigérateur est lourd au sommet et bascule facilement lorsqu'il n'est pas complètement installé.

Garder les portes fermées avec un ruban adhésif jusqu'à l'installation complète du réfrigérateur.

Utiliser deux ou plus de personnes pour déplacer et installer le réfrigérateur.

Le non-respect de ces instructions peut causer un décès ou une blessure grave.

⚠️ DANGER



Risque d'explosion

Garder les matériaux et les vapeurs inflammables, telle que l'essence, loin du réfrigérateur.

Le non-respect de cette instruction peut causer un décès, une explosion ou un incendie.

Specification Sheet

Specifications

Total Capacity (L)	25.6 cu.ft. (725 L)		
Freezer Capacity	9.4 cu.ft. (265 L)		
Refrigerator Capacity	16.2 cu.ft. (460 L)		
Dimensions			
Outer Dimensions (W x H x D)	41"- 42" x 83 1/2" x 25 3/8" (106.7x212x64.5 cm)		
Cutout Dimensions (W x H x D)	42" x 83 3/4" x 24" (106.7x212.7x61 cm)		
Product weight	538 lb. (244 kg)		
Ice and Water	Outside door dispenser (ice, crushed ice, and water)		
Minimum Air Circulation Clearance	1/4 inch surrounding the unit		
Power Consumption			
Motor Only	90 ± 15% [W]	Cold/freezing Fan Motor:	13 VDC
Heater + Freezer	200 ± 15% [W]	Condenser Fan Motor:	14 VDC
Total Refrigerator	160 ± 15% [W]	Inside Lamp Freezer:	12 VDC / 8.7 W
Main Fuse	120 VAC / 9 A	Inside Lamp Refrigerator:	12 VDC / 8.7 W
Freezer			
In-door Ice Maker	1	Compressor Driving Method	IPM operation
Door Basket	2	Compressor Oil	FREOL a5 (175 cc)
Shelf	4		
Drawer	3		
Refrigerator			
Door Basket	5	Type of Refrigerant	HFC-134a (170 g)
Shelf	4		
Drawer	3		
Ice and Water Motors			
Ice Feeding and Crushing	120 VAC / 60 Hz / 16.5 RPM		
Duct Door	DC 12VDC		
Water Valve	120 VAC / 60 Hz		
Motor Switch	Separate ON/OFF on Ice Maker		
Defrost			
Initial Defrost	4~5 hours (varies depending on condition)		
Defrost Cycle	9~11 hours (varies depending on condition)		
Rest Time	Freezer: 5 Minutes - Refrigerator: 7 minutes		
Defrost Sensor	Freezer: -41°F - Refrigerator: Returns to normal operation when it reaches 50°F		

Tipping Radius

Tipping Radius

Because the refrigerator is top-heavy, it will *tip easily when it is not permanently attached to the cabinet.*

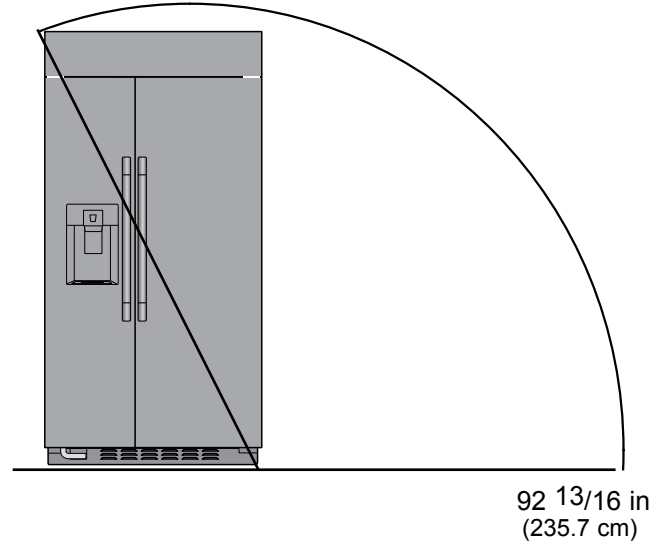
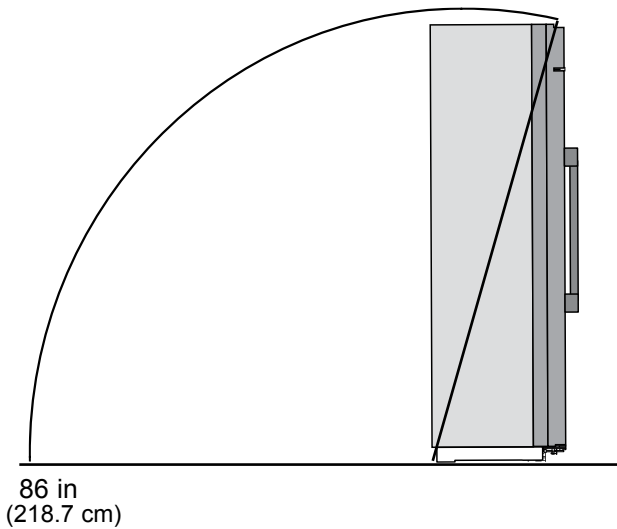
For more on this, go to page 17 and see *Attaching to the Cabinet.*

Below is the radius measurement from the top of the refrigerator to the floor:



Backward Radius 86 in
(218.7 cm)

Sideways Radius 92 13/16 in
(235.7 cm)



Installation Requirements

Tools and Parts

Gather the required tools and parts before starting the installation.

Read and follow the instructions provided with the tools.

All items that are included with the refrigerator are listed here in the Accessory Kit.

Accessory Kit

- Wrench tool
- L-Brackets
- M4 L12 Screws
- M4 L22 Screws
- Water filter
- Door pins
- Installation Instructions
- Use and Care Manual

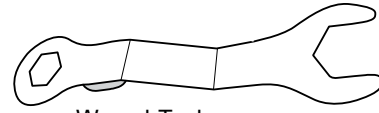
Tools Needed

- Drill set
- Socket wrenches
- Allen wrench (metric)
- Jig saw (for water and power outlets)
- Phillips screwdriver
- Small level
- Appliance dolly

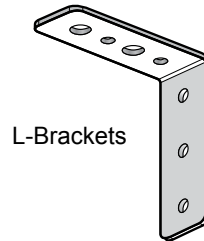
Parts Needed

- Waterline fittings
- Three-prong outlet installed in the upper right corner of the rear wall
- Water supply available inside the cabinet or from beneath the floor

Accessory Kit Images



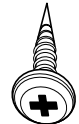
Wrench Tool



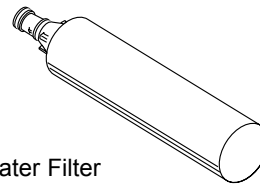
L-Brackets



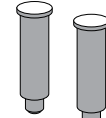
M4 L22
Screws



M4 L12
Screws



Water Filter



Door Pins



Installation
Instructions



Use and Care
Manual

Installation Requirements

Cutout Requirements

Cutout Dimensions (W x H x D)

42" x 83 3/4" x 24"

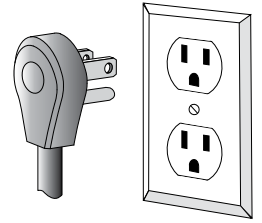
(106.7 x 212.7 x 61 cm)

- Install the refrigerator so that it can be pulled away from the wall if service becomes necessary.
- The flooring under the refrigerator must be level with the kitchen flooring. (The refrigerator cannot be on a raised or lowered floor.)
- The face of the surrounding cabinetry must be plumb.
- The water shutoff line should be placed in the bottom cabinet on either side of the refrigerator or in another easily accessible area.
- If a water shutoff in a cabinet cannot be installed: tap into the water line through the floor or the back wall.

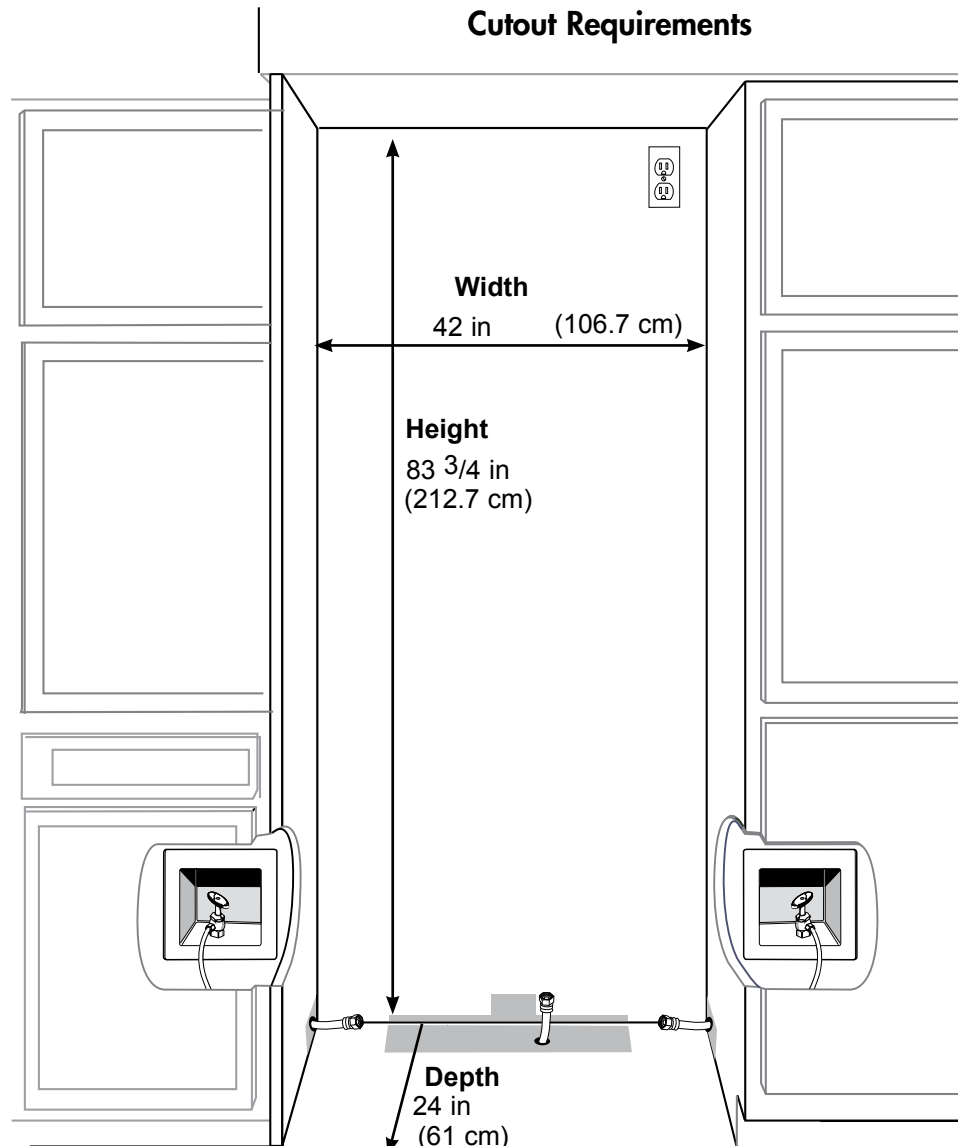
 **AVERTISSEMENT**

 **WARNING**

- Make sure a dedicated, grounded, 3-prong outlet is installed to supply electrical power to the refrigerator.
- Use a 3-prong power cord plugged directly into the grounded outlet. Do not alter into a 2-prong power cord or use a power strip.
- Make sure the house's main water supply is accessible where the refrigerator will be placed. Water is needed for the refrigerator's ice maker and drinking water dispenser.
- See the suggested water line locations in the image below.



Cutout Requirements

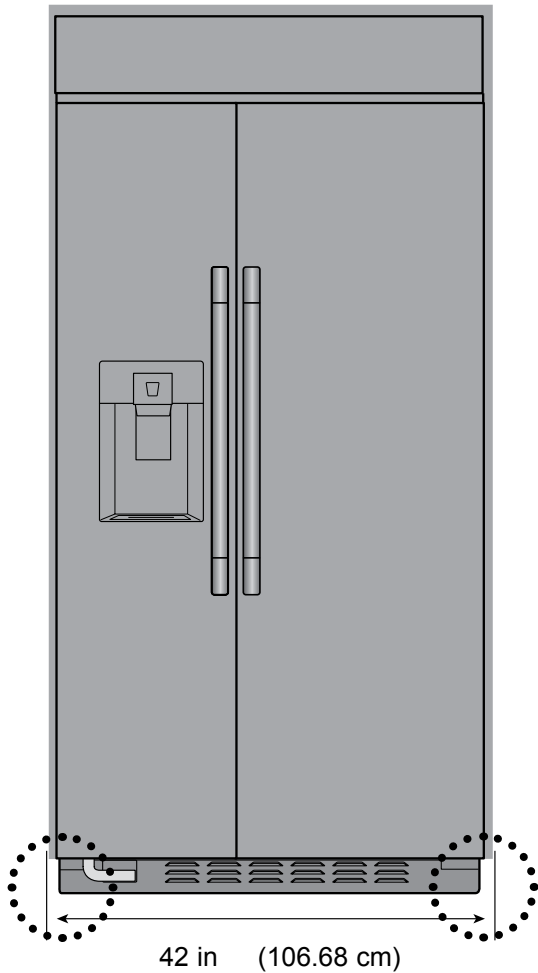


Product Specifications

Refrigerator Dimensions

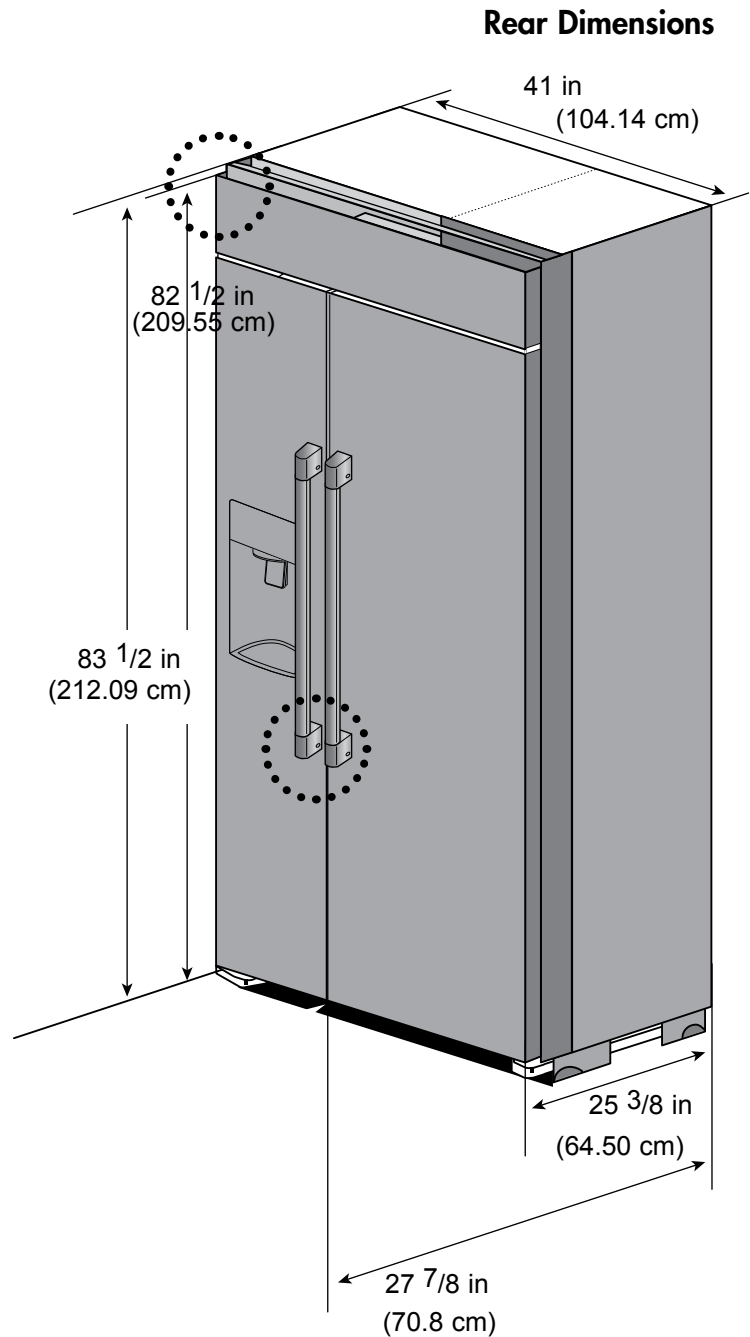
Outside Dimensions (W x H x D)

42" x 83 1/2" x 25 3/8"
(106.7 x 212. x 64.5 cm)



Front Dimensions

Front View and Width Dimensions

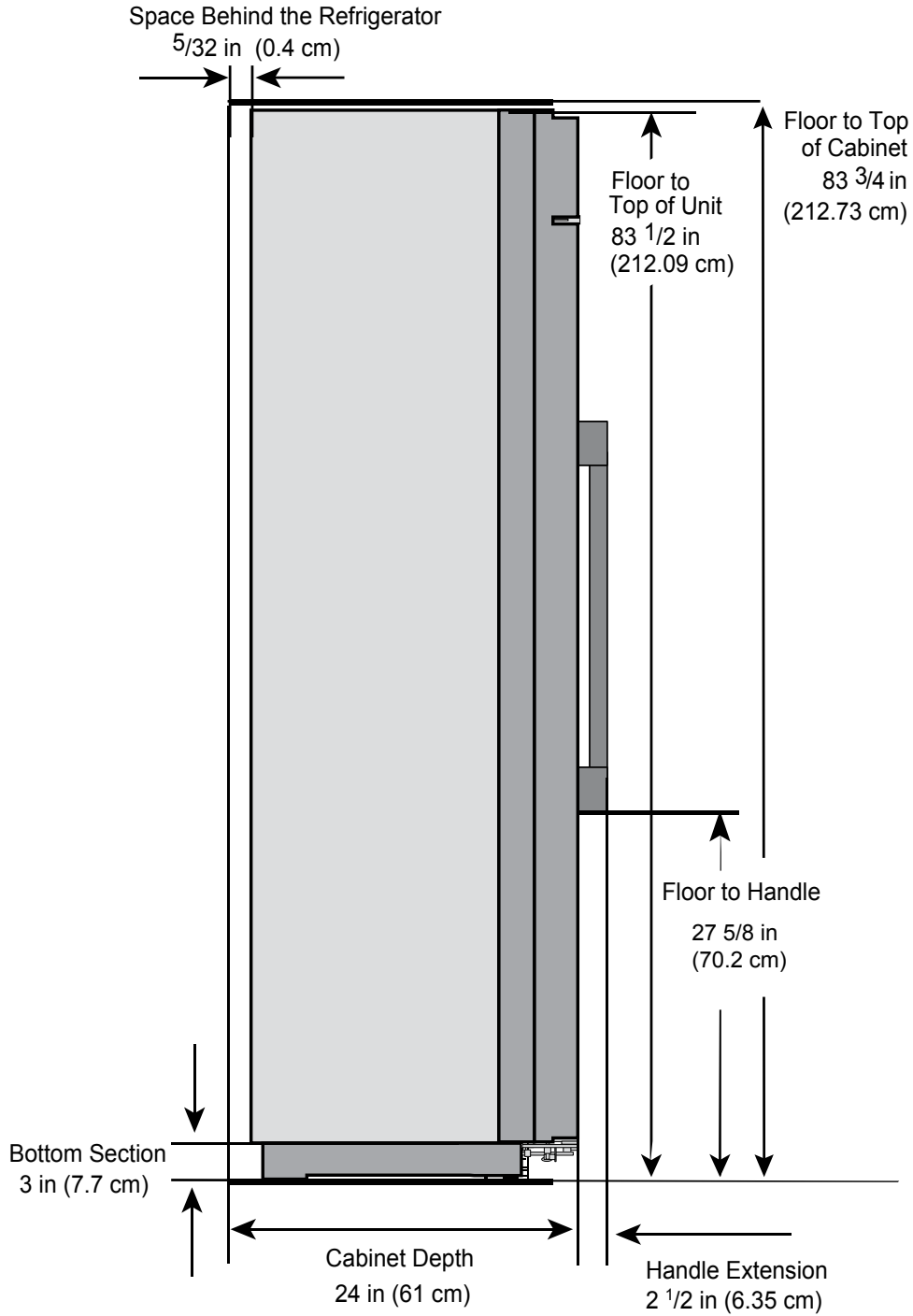


Rear Dimensions

Height and Depth Dimensions

Product Specifications

Refrigerator with Cabinet Dimensions



Refrigerator with Cabinet Dimensions

Product Specifications

Door-Swing Radius

Door Opening: Wide-Open (130°)

Doors can be fully opened when the refrigerator is extended about 2 inches from the cabinet recess.

This allows:

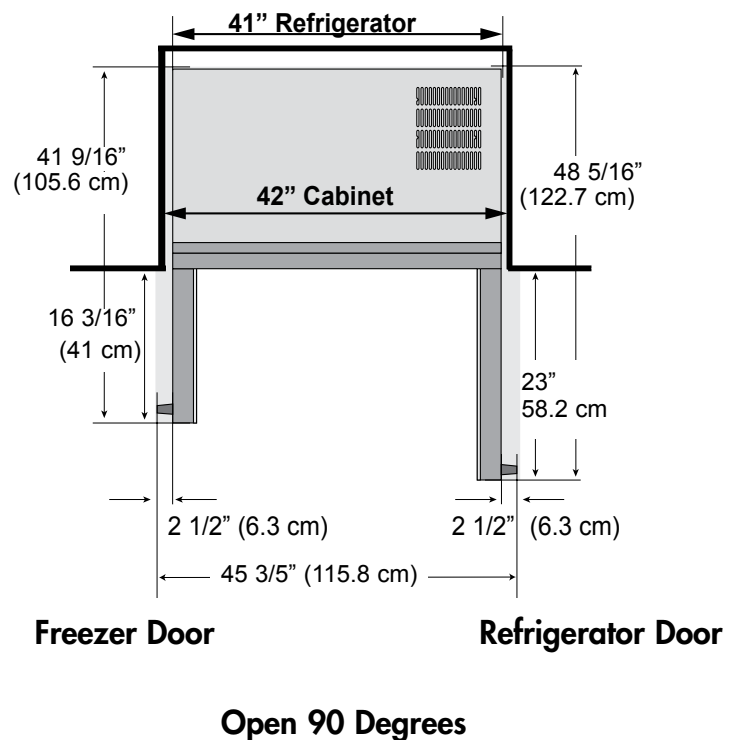
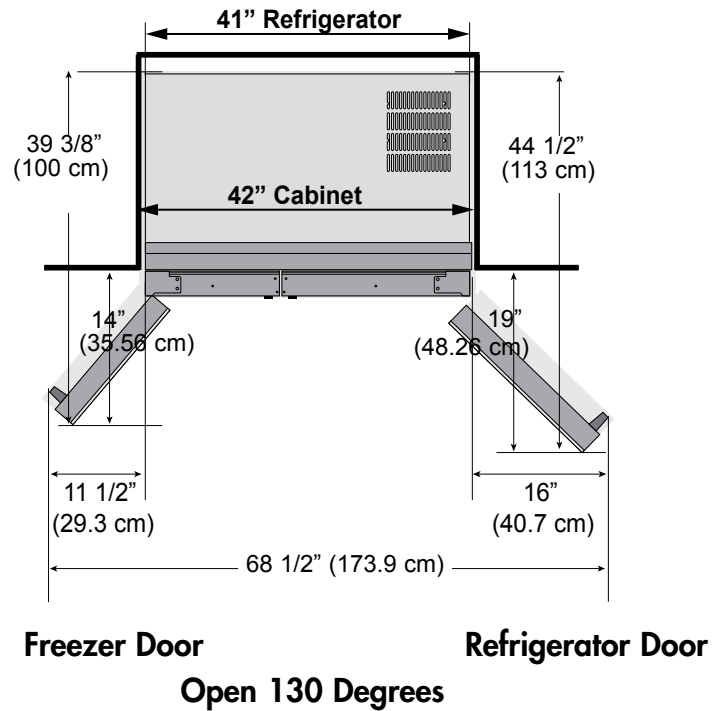
- clearance between the cabinet and doors
- doors fully open to maximum width
- easiest accessibility to large and heavy items

Door Opening: Flush-Aligned (90°)

Doors are stopped when they align flush with the side of the refrigerator.

This allows:

- refrigerator to be flush inside the cabinet recess
- doors to open until they extend 90 degrees



Installation Instructions

Inserting 90-Degree Door-Stops

If the refrigerator is seated deeply within a cabinetry recess, stop-pins can be inserted in the doors to prevent them from opening fully outward and harming the surrounding cabinetry.

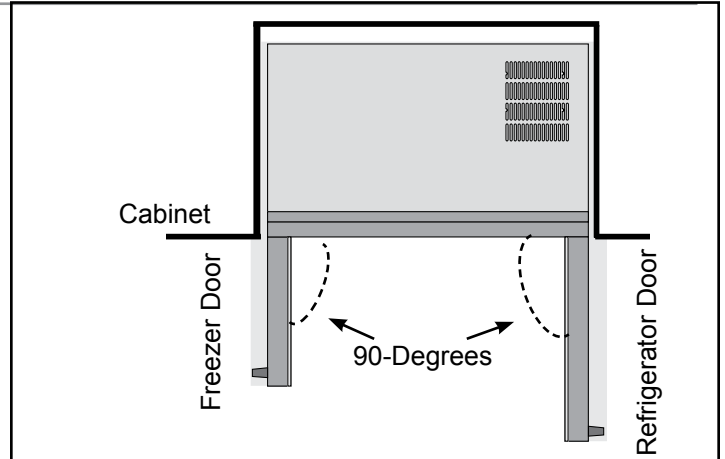
Refer to the two images on the previous page that show the cabinet and the opened refrigerator doors.

The first image, *Open 130 Degrees*, shows

- clearance between the cabinet and doors
- doors fully open to maximum width

The second image, *Open 90 Degrees*, shows

- zero clearance between the cabinet and doors
- doors do not open past 90 degrees
- doors are aligned with sides of refrigerator

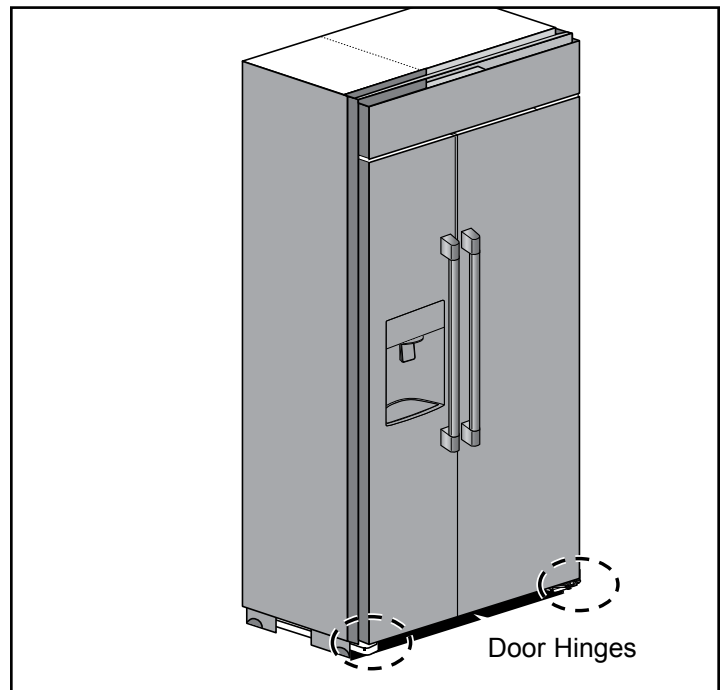


90-Degree Door-Stop Pins

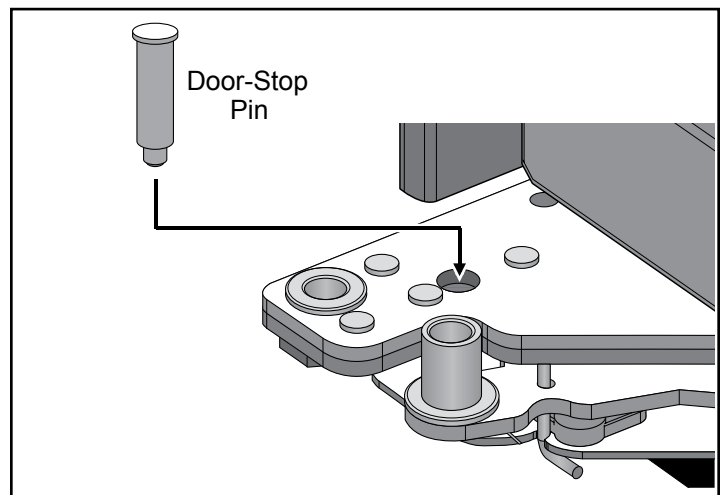
Inserting the Door-Stop Pins

1. Find the door-stop pins in the accessory box.
2. Open the freezer door (or refrigerator door), and
3. Insert a door-stop pin in the bottom hinge as shown below.

TIP: *Keep one hand on the refrigerator door to slightly open/close the door. This toggles the hinge parts back/forth so the holes align, which makes inserting the pin easier.*



Bottom Door Hinge Location



Line-Up Bottom Hinge Plate Holes

Installation Instructions

Meeting Electrical Requirements

Before you move your refrigerator into its final position, it is important to make sure you have the correct, legal electrical connection.

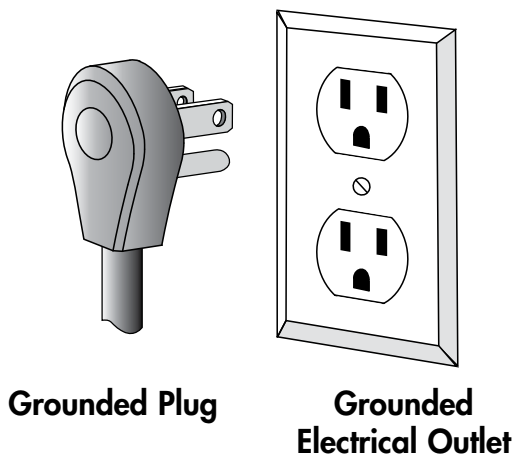
The following electrical specifications are required: 115 Volt, 60 Hz., with a 15 or 20 Amp. fused, **grounded** electrical supply.

- It is recommended to use a separate, dedicated circuit to supply this refrigerator.
- Use a grounded, dedicated 3-prong outlet. See below.
- Use an outlet that cannot be turned off by a switch.
- Do not use an extension cord.
- Make sure the power cord is hung on the hook located on the back of the refrigerator. This will protect the cord from damage and fire risk.

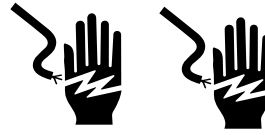
REMARQUE / IMPORTANT: If this product is connected to a GFCI (ground fault circuit interrupter) equipped outlet, nuisance tripping of the power supply may occur. This can result in loss in temperature and affect food quality.

Before connecting the power, always ground the refrigerator:

If the refrigerator is not grounded, the user may be able to feel the electricity due to minute current leakage when touching the metal door handle or stainless steel surface. There is no issue with the product, only current leakage.



⚠ WARNING



Electrical Shock Hazard

Plug into a grounded, dedicated 3-prong outlet.

Do not remove the ground prong.

Do not use an adapter.

Do not use an extension cord.

Failure to follow these instructions can result in death, fire, or electrical shock.

⚠ AVERTISSEMENT



Risque de choc électrique

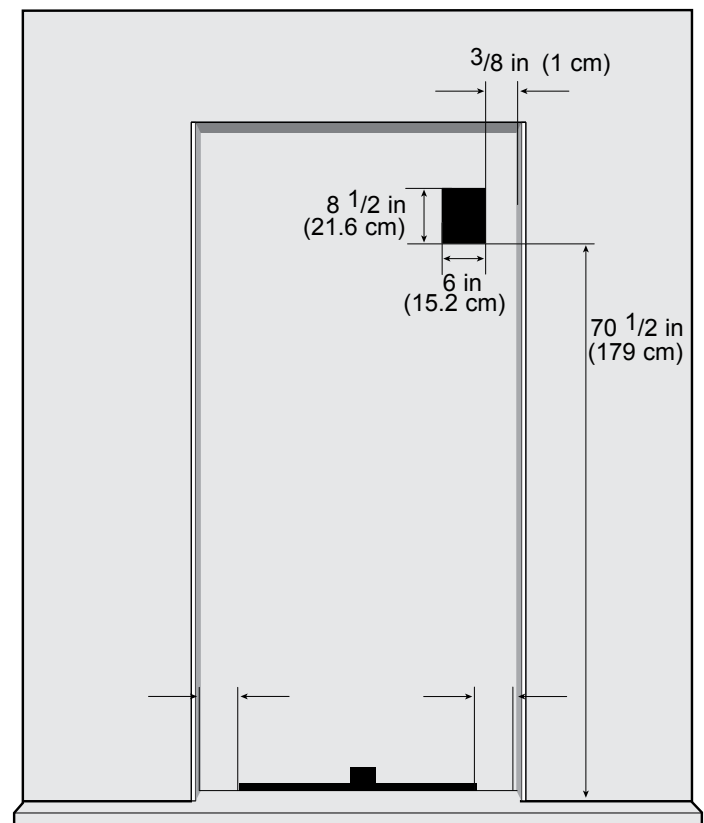
Brancher sur une prise à 3 alvéoles reliée à la terre.

Ne pas enlever la broche de liaison à la terre.

Ne pas utiliser un adaptateur.

Ne pas utiliser un câble de rallonge.

Le non-respect de ces instructions peut causer un décès, un incendie ou un choc électrique.



Suggested Electrical Outlet Placement

Installation Instructions

Connecting to the Main Water Supply

Before connecting the refrigerator's *water line* to the house's main *water supply*, the house's plumbing layout must be understood.

1. Decide the best way to utilize the plumbing layout, then
2. Tap into the main water line while following these requirements:
 - The installer must provide the 5/16-in (0.8 cm) water line and all fittings.
 - The water line must be long enough to provide slack to allow the refrigerator to be moved for floor cleaning and servicing, without the need to first disconnect the water line.
 - All new installations must meet local plumbing code requirements.
 - The water shutoff should be placed in the base cabinet on either side of the refrigerator (the right-side is recommended) or in some other easily accessible area.
 - If the water shut-off valve is placed in the back wall behind the refrigerator, it must be at an angle so that the water line is not kinked when the refrigerator is pushed into its final position.
 - Make sure the water supply pipe is within the range shown in the illustrations at right.

Water Pressure Requirements

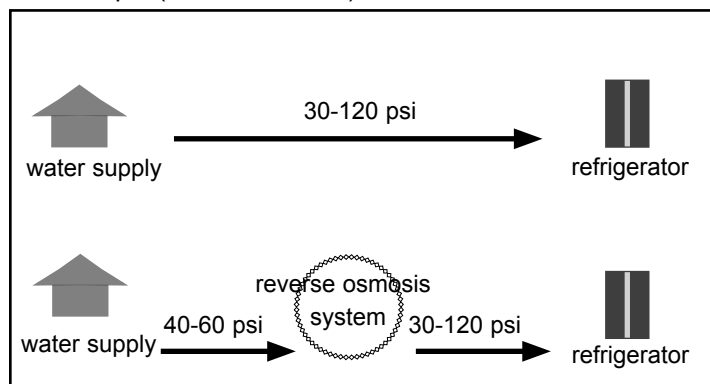
A cold water supply with water pressure between 30 and 120 psi (207 and 827 kPa) is required to operate the water dispenser and ice maker.

If you have questions about your water pressure, call a licensed, qualified plumber.

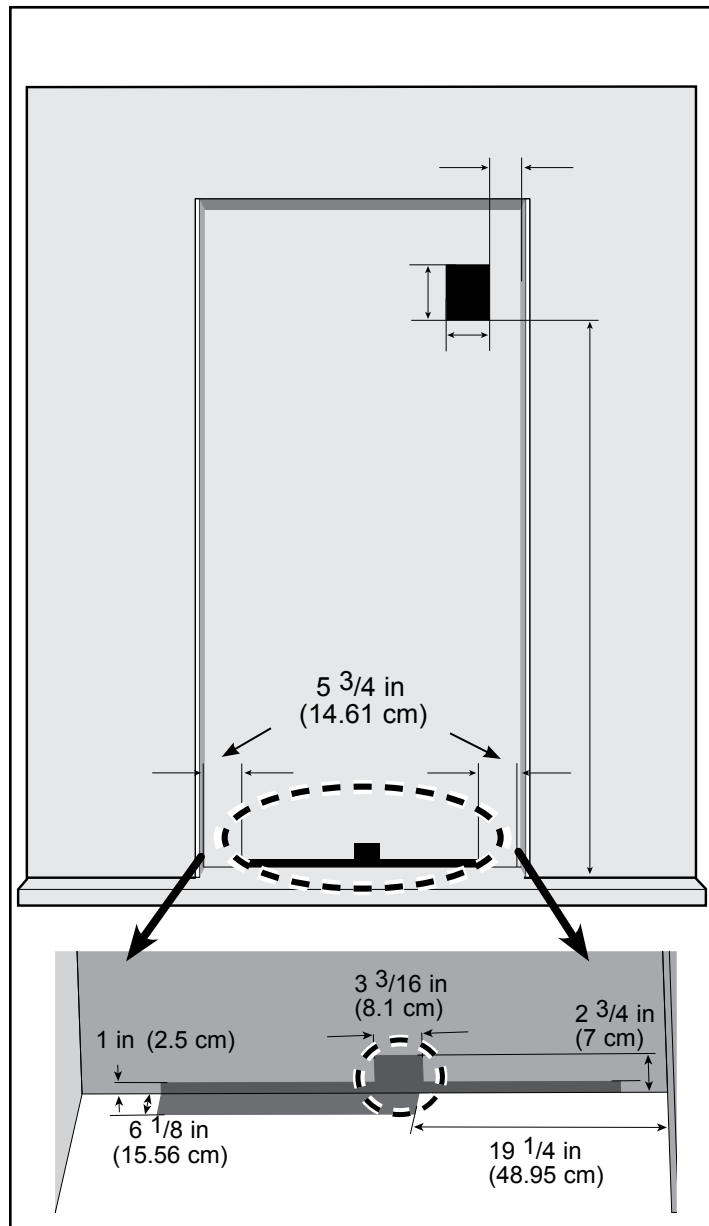
Reverse Osmosis System in the Water Supply

IMPORTANT: The pressure of the water supply *leaving* a reverse osmosis system *going to the refrigerator's* water inlet valve must be between 30 and 120 psi (207 and 827 kPa).

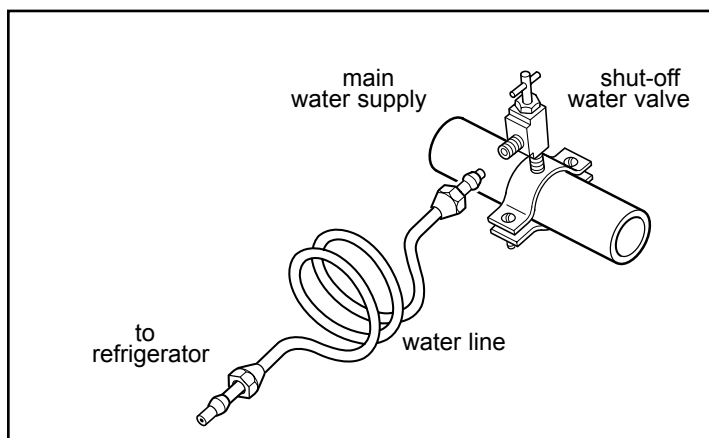
The water pressure from the cold water supply to the reverse osmosis system needs to be a minimum of 40 to 60 psi (276 to 414 kPa).



Water Pressure Graphic



Main Water: Detailed Dimensions



Water Line Tapped into Main Water

Installation Instructions

Connecting the Water Line

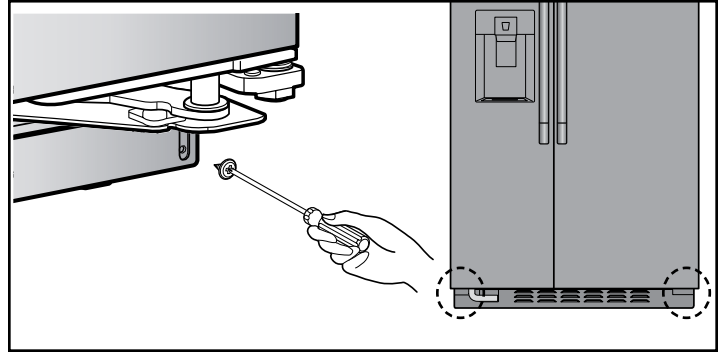
Finish the instructions on the previous page called "Connecting to the Main Water Supply."

The "water line" refers to the line or pipe that connects the refrigerator to the house's main water supply.

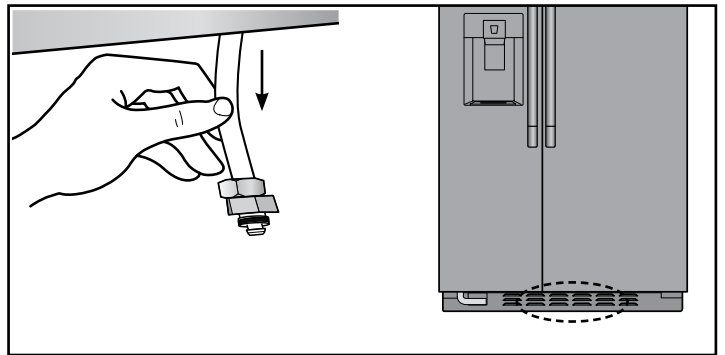
Check for and repair any water leaks at the main water supply valve before continuing.

1. Remove the bottom grill.
Use a Phillips screwdriver to remove the screws on the right and left corners of the grill. Keep the screws in a safe place.
2. Find and free the water line that is tucked underneath the refrigerator.
3. Connect the main water supply to the end of this water line.
4. Check for water leaks before moving the refrigerator into the cabinet.
Place a towel underneath the couplings before testing; this will soak up any possible leaks.
5. Replace the bottom grill.
6. Flush air and impurities from the water system by continuously running the dispenser for five gallons.

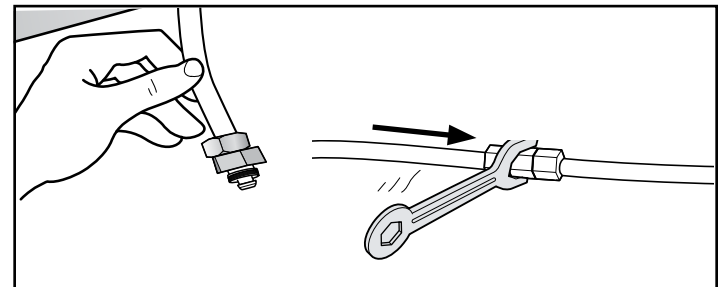
Note: Allow a 1~2 minute delay in water flow to allow the water tank to fill.



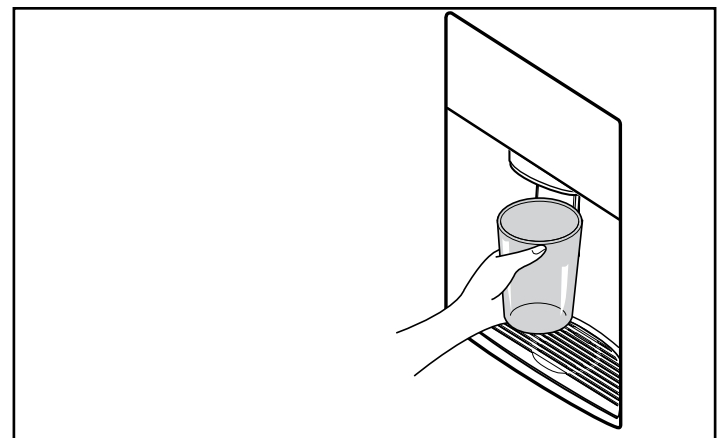
Removing Bottom Grill



Accessing Water Line



Connecting Water Line to Water Supply



Flushing Through the Water Dispenser

Installation Instructions

Attaching to the Cabinet

⚠ DANGER

This refrigerator is top-heavy and **MUST** be attached to the surrounding cabinetry, otherwise it will fall forward and could cause injury or death.

⚠ WARNING

⚠ AVERTISSIMENT



Refer to the images at the right while reading these steps:

Method #1 (optional) and **Method #2** (required)

The first image shows Method #1. If chosen, this must be performed first, because the brackets cannot be installed after Method #2 is completed.

Method #1

Brackets will *attach to the cabinet* and reach over the refrigerator. If the refrigerator tips forward, the brackets will brace the refrigerator and prevent it from tipping further.

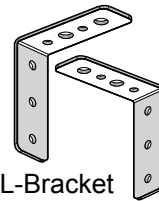
1. Measure 1/4" from the top of the height of your refrigerator. (Make sure it is at your final height.)
2. Attach the brackets to the cabinetry with the screws.

Method #2

There are two holes on each side of the refrigerator rail. These holes are for the screws that will attach the refrigerator to the cabinet.

1. Open the door to access these holes.
2. Place a level on a shelf so that when a screw is tightened, the refrigerator does not tilt too far left or right.
3. Insert and tighten the screws in the top left and right holes.
4. Make sure the refrigerator is level.
5. Insert and tighten the screws in the bottom left and right holes while making sure the refrigerator is level.

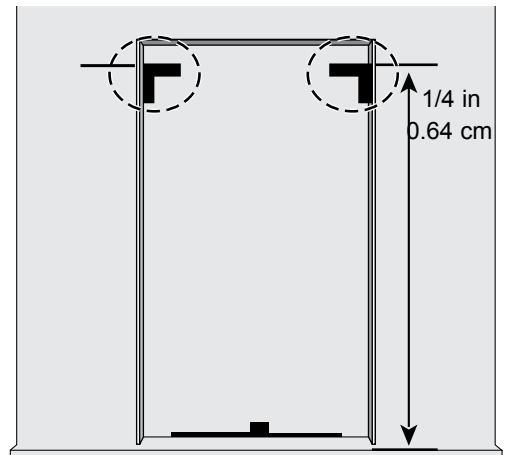
Method #1



L-Bracket

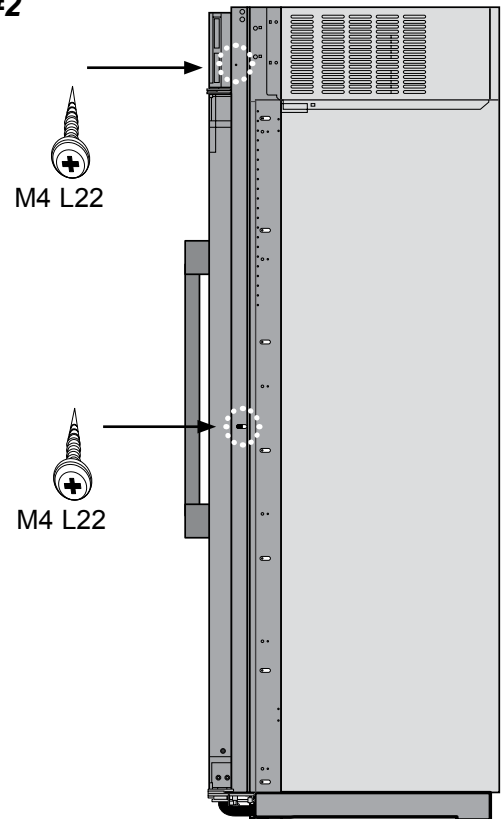


M4 L12

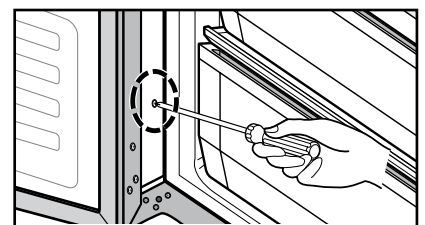


Suspending L-Brackets Above the Refrigerator

Method #2



Inserting the Screws Inside the Rails



Attaching Screws Through an Open Door

Installation Instructions

Removing / Attaching the Top Grill

If the height of the doors needs to be adjusted, the top grill must be removed first.

Refer to the images at the right while following these steps.

1. Remove the screws in the upper right and left corners of the top grill.
2. Save the screws in a safe place. They will be used later to attach the top grill.
3. Refer to the side view of the top grill and the hook attachment.
The left side and right side should be moved as one unit; do not bend or twist one side of the grill.
4. Place a hand on each side of the grill.
5. Gently pull *up and out* at the same time.
Be careful not to twist or bend the soft metal. Doing so could disfigure the shape.
6. Attach the top grill by the same method.

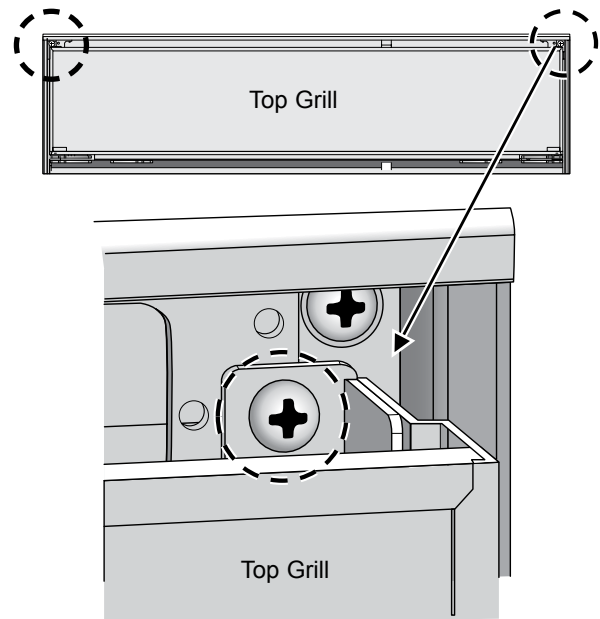
AVERTISSEMENT

Risque de coupure de la mains

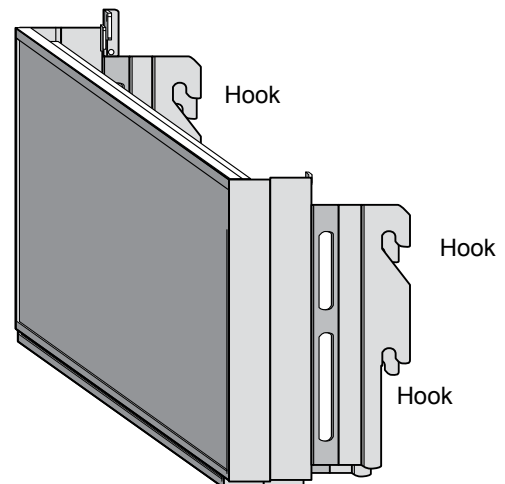
WARNING

Sharp metal corners can cause injury to hands.

Forceful separation of grill parts can unexpectedly slip and cause injury.



Screw Locations of Top Grill



Grill with Hook Attachment (side view)

Installation Instructions

Adjusting the Height

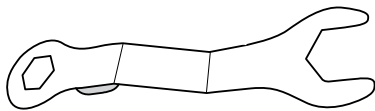
Refer to the images at the right while following these steps:

The bolts that adjust the refrigerator's height are near the front feet. They adjust both the rear and front of the refrigerator.

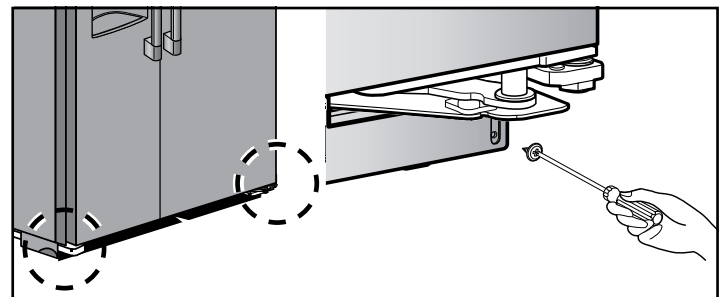
Caution: If the doors are adjusted too far, the sensors can fail to detect the doors.

1. Remove the bottom grill. Be carefull not to scratch the stainless steel surface while removing the screws.
2. Use the wrench tool on the bolt to adjust the *front* height.
3. Use a 5/16" socket wrench on the small bolt to adjust the *rear* height.
Turn the bolts clockwise to raise; counterclockwise to lower.
4. Use a level to ensure the refrigerator is parallel and aligned.
5. Attach the bottom grill with previous screws.

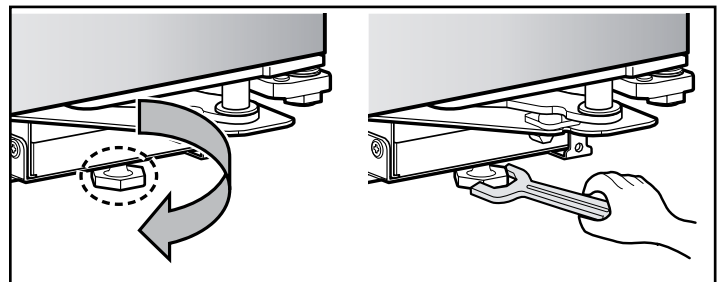
Tools Needed: 5/8" Socket wrench
Phillips screwdriver



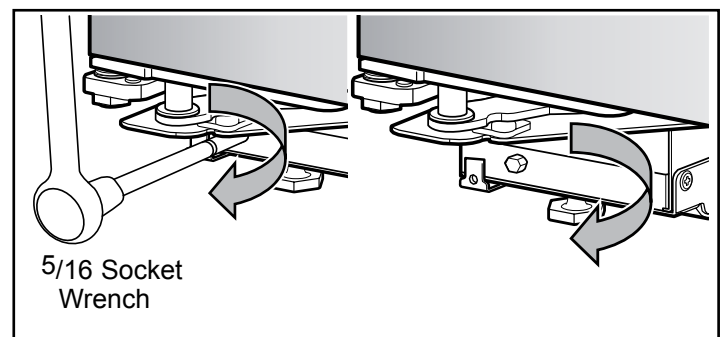
Wrench Tool



Removing the Bottom Grill



Adjusting Front Height with Wrench



Adjusting Rear Height with Socket Wrench

Installation Instructions

Adjusting the Door Height

⚠ WARNING



Tip Hazard

Refrigerator is top-heavy and tips easily when not securely installed.

⚠ AVERTISSEMENT



Risque de basculement

Le réfrigérateur est lourd au sommet et bascule facilement lorsqu'il n'est pas complètement installé.

If the height of the refrigerator and freezer doors does not align, either door can be adjusted.

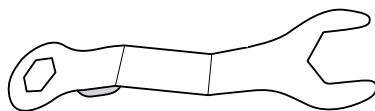
If the doors are adjusted too far, the sensors can fail to detect the doors.

Refrigerator Door

1. Remove the bottom grill. Be carefull not to scratch the stainless steel surface while removing the screws.
2. Use the wrench tool on the bolt to adjust the door.
Turn the bolts clockwise to raise a door; turn counterclockwise to lower a door.
3. Lay a level on top of the door seam to make sure the doors are aligned.
4. Attach the bottom grill using the previous screws.

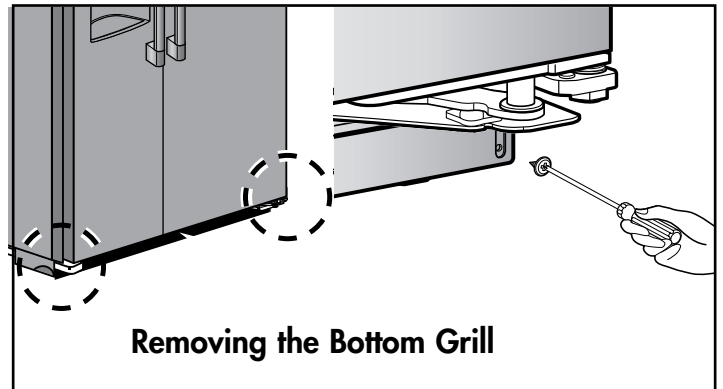
Freezer Door

1. Remove the bottom grill. Be carefull not to scratch the stainless steel surface while removing the screws.
2. Use the wrench tool on the lock-nut while you
3. Insert a 6 mm Allen wrench inside that lock-nut.
4. Turn clockwise to raise the door.
5. Lay a level on top of the door seam to make sure the doors are aligned.
6. Attach the bottom grill with previous screws.

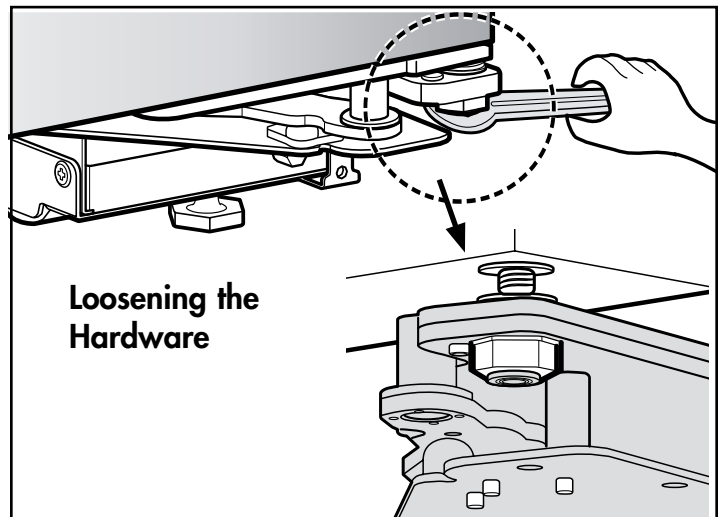


Wrench Tool

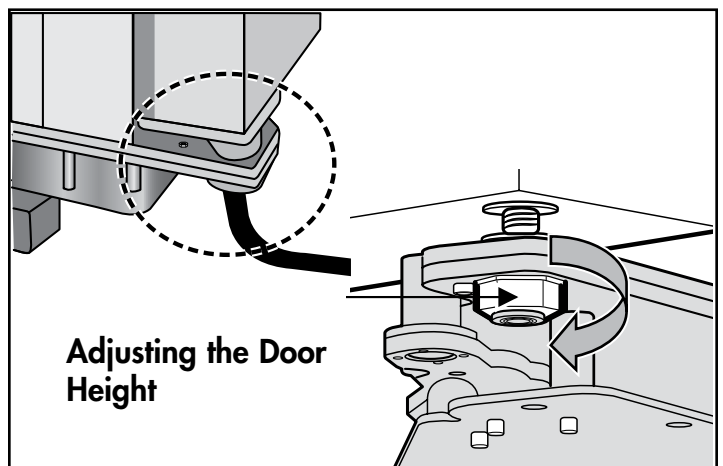
Tools Needed: 6 mm Allen wrench
Phillips screwdriver



Removing the Bottom Grill



Loosening the Hardware



Adjusting the Door Height

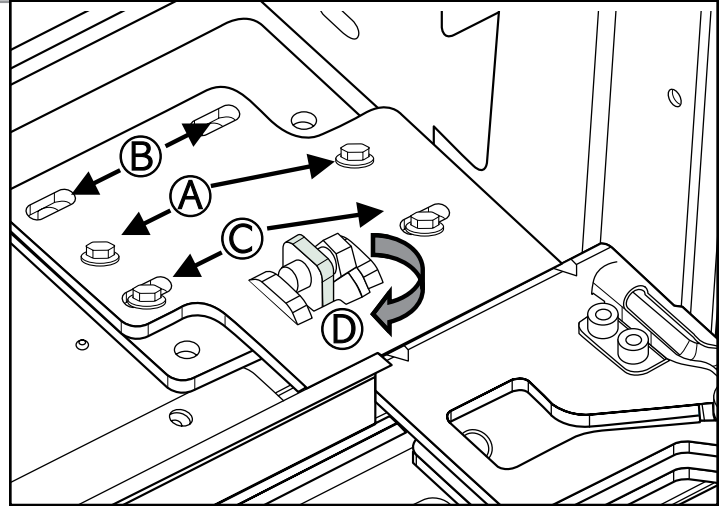
Installation Instructions

Adjusting the Door Gap

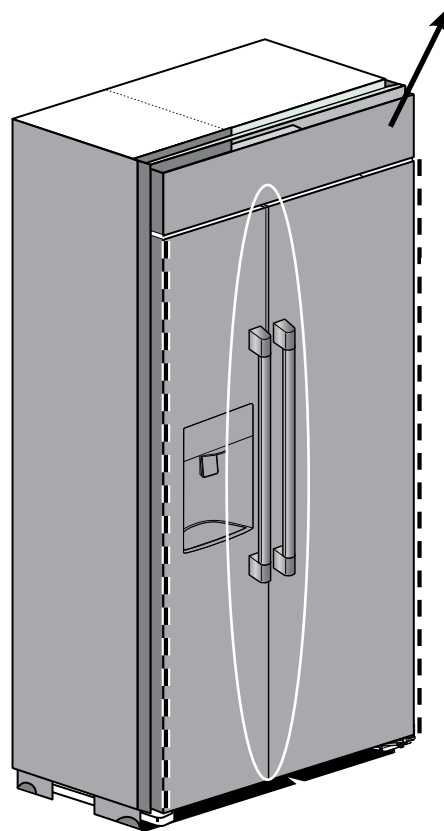
The gap between the doors is factory set to 5/16 (8 mm) before shipping. If the doors get misaligned and this gap needs to be reset, follow these instructions **to adjust the right-side, refrigerator door.**

Refrigerator Door

1. Refer to the images at the right while following these steps:
2. Remove the top grill. (Refer to page 18.)
Be carefull not to scratch or bend the stainless steel while removing the screws and unhooking the grill.
3. Remove the screen.
4. Familiarize yourself with the hardware on the right corner of the refrigerator. This is where the adjustments to the right door will be made.
 - (A) Secured setting (no adjusting allowed)
 - (B) Allows for adjusting
 - (C) Lock-down bolt
 - (D) Adjuster nut
5. Move **bolts (A)** into **slots (B)**, and lightly tighten them.
6. Loosen the **lock-down bolt (C)**. This will free the door to move.
7. Turn the **adjuster nut (D)** to move the door.
 - Turn twice to move the gap 1 mm.
 - Turn counterclockwise to move the door toward the outside.



Right-Side Door Adjustment Hardware



Tools Needed: 10 mm crescent wrench
Phillips screwdriver

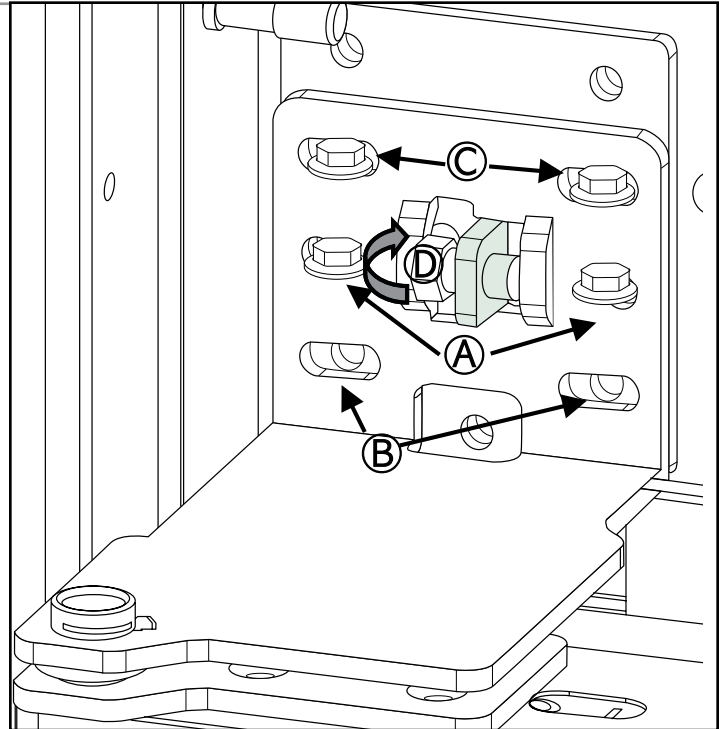
Installation Instructions

Adjusting the Door Gap

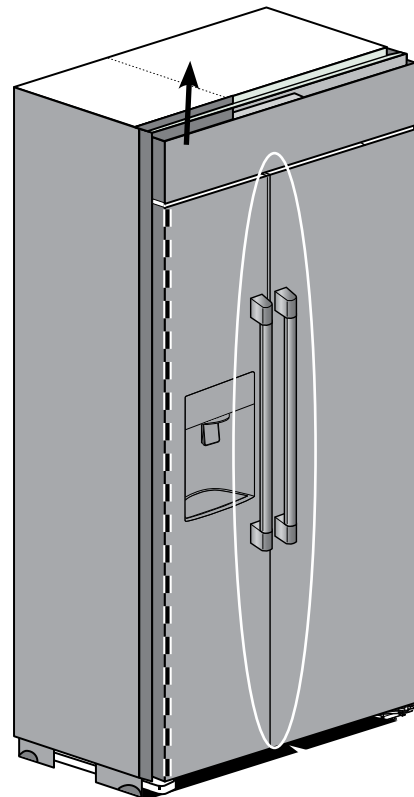
The gap between the doors is factory set to 5/16 (8 mm) before shipping. If the doors get misaligned and this gap needs to be reset, follow these instructions **to adjust the left-side, freezer door.**

Freezer Door

1. Refer to the images at the right while following these steps:
2. Remove the top grill. (Refer to page 15.)
Be carefull not to scratch or bend the stainless steel while removing the screws and unhooking the grill.
3. Remove the screen.
4. Familiarize yourself with the hardware on the front left of the refrigerator. This is where the adjustments to the left (freezer) door will be made.
 - (A) Secured setting (no adjusting allowed)
 - (B) Allows for adjusting
 - (C) Lock-down bolt
 - (D) Adjuster nut
5. Move **bolts (A)** into **slots (B)**, and lightly tighten them.
6. Loosen the **lock-down bolt (C)**. This will free the door to move.
7. Turn the **adjuster nut (D)** to move the door.
 - Turn twice to move the gap 1 mm.
 - Turn counterclockwise to move the door toward the outside.



Left-Side Door Adjustment Hardware

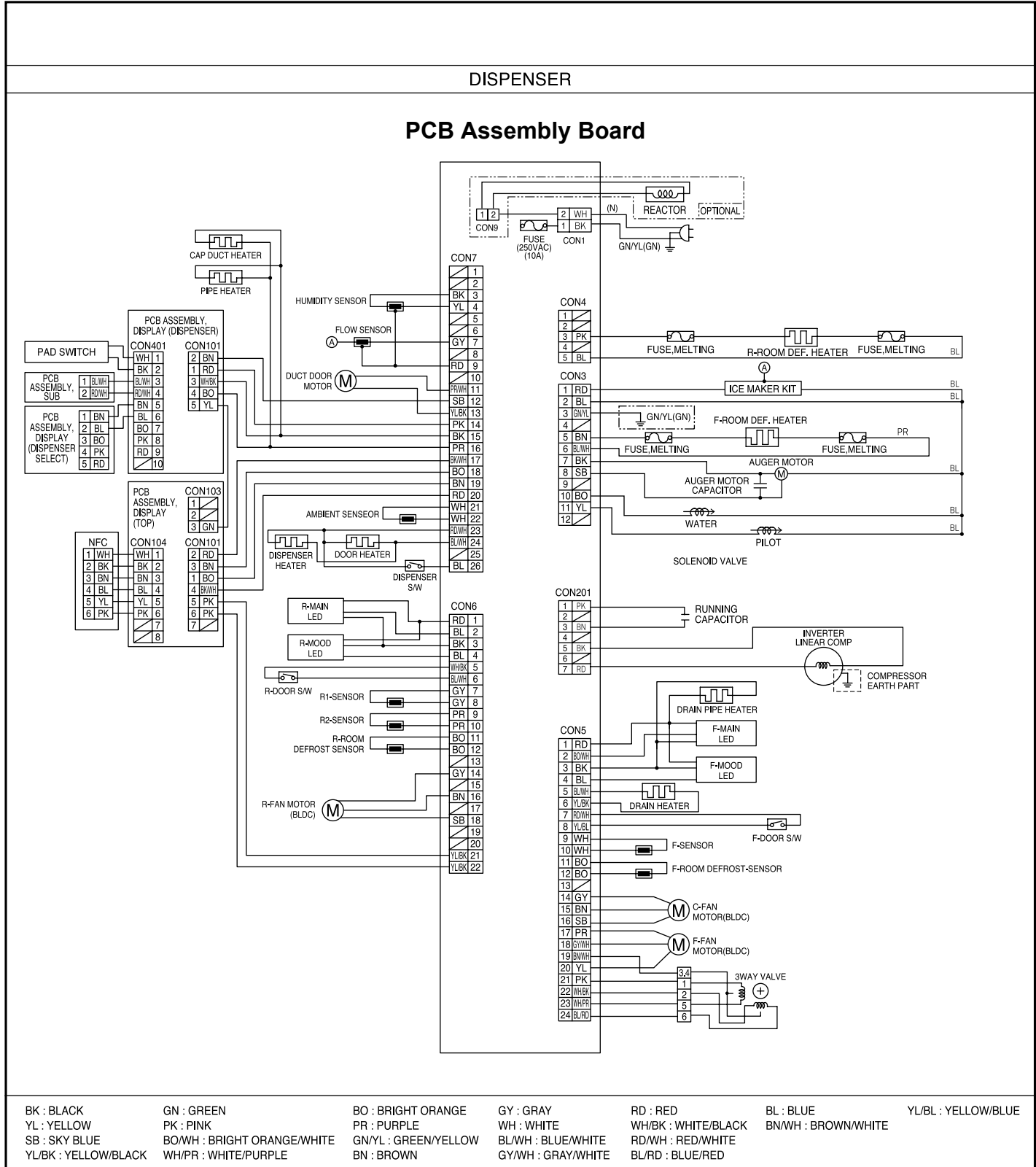


Tools Needed: 10 mm crescent wrench
Phillips screwdriver

Wiring Diagram

Printed Circuit Board (PCB)

REFRIGERATOR MODEL# DYF42BSIWS



dacor[®]

dacor[®]

dacor[®]
The Life of the Kitchen.[®]