



VERTEX™ Complete Capture Design technology ventilates as well as an island hood.

Up to 35% quieter operation than any other downdraft.

Chimney raises 18" off the counter surface for optimal capture on all burners.

Long-lasting LED lighting technology means lamps may never need replacement.

Heat Sentry™ detects excessive heat and adjusts speed to high automatically.

10-minute time-delay shut-off feature and reminder light for filter maintenance.

Remote control to activate downdraft from another location.

Works with optional Automatic Make-Up Air Dampers.

**Model Numbers:**

D49M30SB

D49M36SB

D49M48SB



Our VERTEX™ Complete Capture Design technology performs as well as an island hood.



An LED light bar evenly illuminates the entire cooking surface.



A touch of a button raises or lowers the 18" downdraft.



Sleek, easy-to-clean touch-control panel.



An optional remote control button raises or lowers the downdraft as needed.

**Hood Sizes**

**Widths** 30", 36", 48"

**Depth** 2-1/4"

**Finish**

Stocked Brushed Stainless Steel

Special Order Not Available

**Features**

Lighting Type LED, 7W (30"); 14W (36"); 18W (48")

Lighting Levels 2

Lighting Lamps Included Yes

Control Type 4-speed Capacitive Glass

Control Features Heat Sentry™, Delay Off, Filter Timer

Remote Control Optional ACRD

Filter Type Mesh Grease Filter

Non-ducted Capability Yes

**Hood Blower Options (Must choose one blower sold separately)**

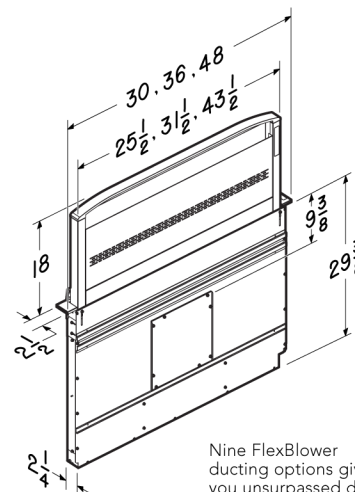
Internal	PF6			
FlexBlower CFM	600			
Sones	8.8			
External In-Line	ILB3	ILB6	ILB9	ILB11
Max CFM	280	600	800	1100
Some levels are typically half of comparable CFM internal blowers.				
External Exterior	EB6	EB9	EB12	EB15
Max CFM	600	900	1200	1500
Some levels are typically half of comparable CFM internal blowers.				

**Accessories**

Non-ducted Recirculating Kit	ANKD
Transition to 8" Round	AVDKD8
Transition to 10" Round	AVDKD10
Charcoal Filter	AFCD
Range Trim Kit	ATKD30SB, ATKD36SB, ATKD48SB
Automatic MUA Damper	MD6T, MD8T, MD10T (Requires Fresh Air Inlet)
Fresh Air Inlet	641FA, 643FA, 610FA

**Installation Requirements**

Amps @ 120V: Internal Blower	6.0 Max
Electrical	Plug In
Duct Size: Internal Blower	8"
Duct Size: External Blower	10" at hood
Duct Direction	Front, Left, Right, Rear or Down
Backdraft Damper	Not Included



Nine FlexBlower ducting options give you unsurpassed design flexibility. The FlexBlower can be installed in front, to the left, right or rear of the downdraft.



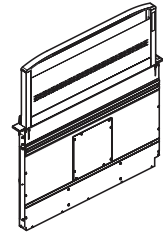
**BESTRangeHoods.com**

926 West State Street, Hartford, Wisconsin 53027  
In U.S.A. 800-558-1711, In Canada 866-737-7770



0 26715 23501 8

# MODELS D49M30SB, D49M36SB, D49M48SB DOWNDRAFT



**Powerful VERTEX™ Complete Capture Design rivals the finest island hoods. Compact design allows the choice of many cooktop styles, free-standing and built-in ranges for island or wall applications.**

### FEATURES

#### HOUSING:

- Galvanized steel construction
- Left, right, front, or rear discharge
- Flexible installation - can be used with cooktops, rangetops, slide-in, and free-standing ranges
- 30", 36", or 48" widths - Fits standard-size cabinets (Some blower configurations may require deeper cabinets.)
- For indoor use only

#### CHIMNEY ASSEMBLY:

- Quiet actuation linear drive system
- Chimney rises 18" when activated - ideal for tall pots
- Aluminum mesh filters - easy to remove, dishwasher-safe
- 304 stainless steel chimney - makes cleanup quick and easy
- 4-speed capacitive-touch control, with delay off and filter clean reminder
- Heat Sentry™ adjusts speed of blower in case of excess heat
- 2-level LED task light. 7W (30"), 14W (36"), 18W (48")
- Up to 100% capture - equal to comparable island hoods

#### TRIM / DOOR:

- Low profile
- 304 stainless steel construction
- Articulating door to hide chimney when retracted
- Integrated, capacitive-touch UP button

#### BLOWER (sold separately):

- Compatible with quiet and efficient 600 cfm Flex Blower - Model PF6
- Permanently lubricated, thermally-protected motor
- Neoprene, resilient anti-vibration mounts
- Can be mounted directly to downdraft or mounted remotely
- Uses standard 8" round duct
- Can be rotated on housing to exhaust left, right or down
- Compatible with in-line/exterior blower models: EB6, EB9, EB12, EB15, ILB3, ILB6, ILB9, ILB11

### TYPICAL SPECIFICATION

Downdraft blower system shall be Best® Model D49M30SB, (D49M36SB), (D49M48SB).

Unit to have stainless steel housing. Chimney to rise 18" and have 304 stainless steel construction for ease of cleaning.

Filters to be aluminum mesh, easy to remove and dishwasher-safe.

Blower will connect directly to 8" round duct. Remote application uses 1-7/8" x 19" to 8" round transition (1-7/8" x 19" to 10" round transition), (8"/10" round plate). Blower to discharge left, (right), (front), (rear).

Motor shall be mounted to blower assembly with grease resistant anti-vibration mounts, be removable, and lifetime lubricated.

Unit to include Heat Sentry™, to adjust blower speed in case of excess heat.

Unit to include trim / door to hide chimney when retracted.

Downdraft system shall operate on 120 VAC and be able to be plugged into a standard grounded outlet. It will have a 4-speed blower control, with delay off, and filter clean reminder.

Downdraft shall include 2-level LED task lighting.

Downdraft blower system to be cULus listed.

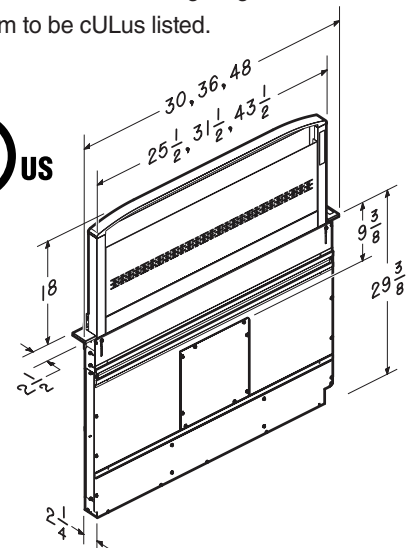
### SPECIFICATIONS

Volts: 120

Hz: 60

Amps: 3.2

Duct: 8" Round



NOTE: Dimensions shown are for reference only. Before cutting out countertop, refer to instructions packed with downdraft and cooktop.

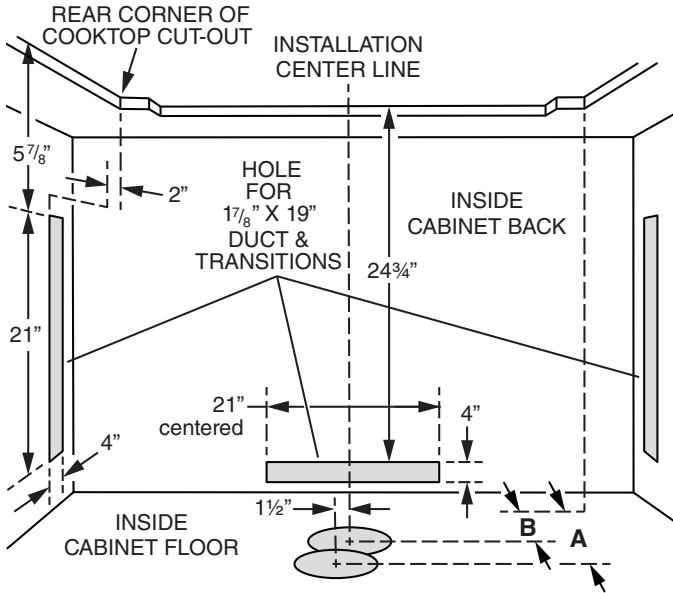
**BEST** Hartford, Wisconsin [www.BestRangeHoods.com](http://www.BestRangeHoods.com) 800-558-1711

REFERENCE	QTY.	REMARKS	Project
			Location
			Architect
			Engineer
			Contractor
			Submitted by <span style="float: right;">Date</span>

# INSTALLATION PLANNING • MODELS D49M30SB, D49M36SB, D49M48SB

## CABINET CUTOUTS

**CAUTION: BEFORE CUTTING HOLE IN CABINET FOR DUCTWORK, check for interference with floor joists, wall studs, electrical wiring, or plumbing.**



Hole in Cabinet Floor		
Dimension A	Dimension B	
Using Flex Blower (Model PF6 & 8" round duct straight down through cabinet floor.) (1 1/2" left of installation center line)	Using Exterior or In-Line Blower & 90° Duct Elbow (on installation center line)	
<b>5-5/8 inches</b>	<b>7-5/8 inches</b> (Model 432 - 8" round elbow)	<b>8-5/8 inches</b> (Model 418 - 10" round elbow)

Use the dimensions in the above illustration to help plan how and where to provide duct access through your cabinet. Generally, 1-7/8" x 19" rectangular duct will be used through left, right, and back of cabinet - while 8" round duct will be used through cabinet floor.

### For left, right, or rear exhaust:

Allow at least 18" for transition and elbow or blower.

### For left / right exhaust:

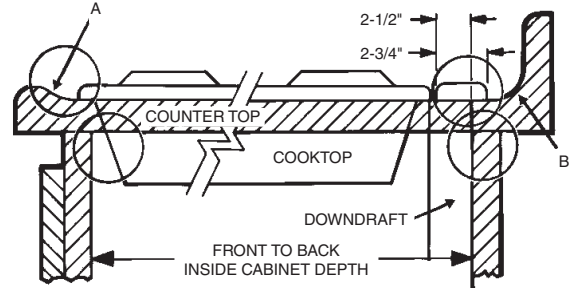
A 30" deep cabinet is recommended to align properly with flex blower. Flex blower can be mounted to rear cabinet wall or to a platform / frame (not provided) on the base of the cabinet floor. (See flex blower instructions).

Cabinet depths of 24" to 30" are required - depending on the type of cooking appliance.

## ELECTRICAL PANEL

The unit has an 30-in. power cord with a 3-pronged plug. Plan to provide a grounded outlet within reach of this cord.

## DOWNDRAFT

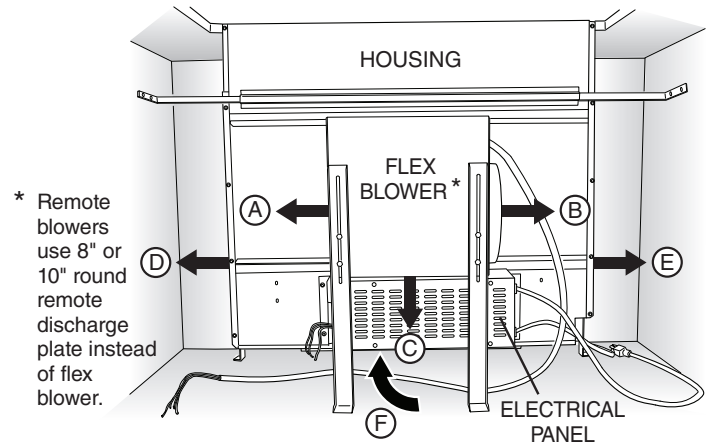


Refer to the cooktop installation instructions for dimensions of cooktop, countertop cut-out, and cabinet requirements. However, it is recommended that oversized cabinets be used for easier installation. Custom island designs need to account for deeper cabinets - especially when installed with a range in front of the downdraft or when mounting the blower behind the downdraft. You must also plan for an access door.

Cooktop depth can vary greatly from one to another. This may cause the fit of these two appliances to be rather tight.

Pay special attention to the areas of potential interference highlighted above. A countertop with (A) a raised lip and/or (B) a backsplash may not allow enough flat countertop for a proper installation. Note that 2-3/4" of flat countertop is required behind cooktop and that 2-1/2" is necessary between the back edge of the cooktop and the inside of cabinet back.

## DUCTWORK



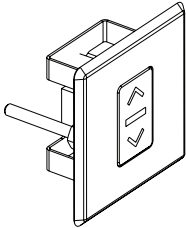
The downdraft blower system is designed for use with 8" round ductwork using a Flex Blower or 10" round ductwork using a remote blower. (Purchase blowers separately.) Six (6) different discharge connections are available - with side-to-side adjustment for accurate alignment of ductwork:


- A = 8" Round, Left Discharge out of Flex Blower
- B = 8" Round, Right Discharge out of Flex Blower
- C = 8" Round, Down Discharge out of Flex Blower (Electrical Panel to be mounted remotely)
- D = 1-7/8" x 19", Left Discharge out of Housing to Remote Blower or Flex Blower in remote location. Use 1-7/8" x 19" to 8" round transition, 1-7/8" x 19" to 10" round transition, or 1-7/8" x 19" ductwork as appropriate.
- E = 1-7/8" x 19", Right Discharge out of Housing to Remote Blower or Flex Blower in remote location. Use 1-7/8" x 19" to 8" round transition, 1-7/8" x 19" to 10" round transition, or 1-7/8" x 19" ductwork as appropriate.
- F = 1-7/8" x 19", Rear Discharge out of Housing to Remote Blower or Flex Blower in remote location. Use 1-7/8" x 19" to 8" round transition, 1-7/8" x 19" to 10" round transition, or 1-7/8" x 19" ductwork as appropriate.

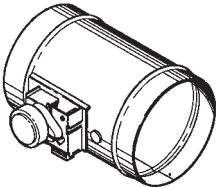
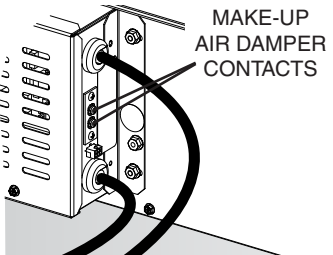
For best performance: Choose the ducting option which allows the shortest length of ductwork and a minimum number of elbows and transitions. Check location of floor joists, wall studs, electrical wiring or plumbing for possible interference.

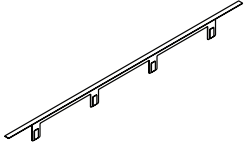
# OPTIONAL ACCESSORIES • MODELS D49M30SB, D49M36SB, D49M48SB

OPTIONAL ACCESSORY	DESCRIPTION / APPLICATION
--------------------	---------------------------

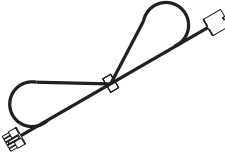
 <p><b>MODEL ACRD</b></p>	<p><b>REMOTEUP/DOWN CONTROL</b></p> <p>Use when you cannot reach the UP/DOWN Button on the downdraft chimney.</p> <p>Can be located on counter top, face of cabinetry or on the side cabinet of an island. Cut-out size: 2¼" H x 2" W.</p> <p>Cannot be used where remote control will interfere with cooking, where hot pans could be set, or where hot liquids could be spilled on the control.</p> <p>Remote wiring connects with 6-pin connector on control box.</p>
--	--

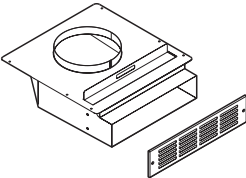
 <p><b>MODELS ATSKD30 ATSKD36 ATSKD48</b></p>	<p><b>GAS COOKTOP SEAL KIT</b></p> <p>Recommended for use with all gas cooktops. Includes trim bracket and trim seal.</p> <p>30", 36" &amp; 48" widths.</p>
--	---

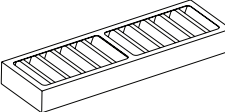
 <p><b>MODELS MD6T MD8T MD10T</b></p>	<p><b>MAKE-UP AIR DAMPER</b></p> <p>Use to provide make-up air when called for to keep the home comfortable by allowing the downdraft to operate at optimum levels.</p> <p>Directwire design works with select BEST® downdrafts to balance indoor air pressure by providing interlocked make-up air; damper opens automatically when the range hood is activated 8" round &amp; 10" round diameters.</p> <p>Connects to <b>2 CONTACTS</b> on <b>ELECTRICAL PANEL.</b></p>  <p>MAKE-UP AIR DAMPER CONTACTS</p>
---	--

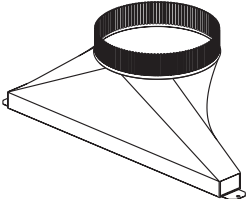
 <p><b>MODELS ATKD30SB ATKD36SB ATKD48SB</b></p>	<p><b>RANGE TRIM KIT</b></p> <p>Use with free-standing range - where a gap is present between back of range and downdraft.</p> <p>30", 36" &amp; 48" widths.</p>
---	--

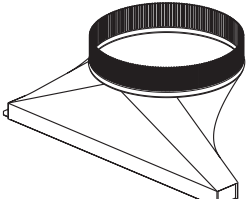
OPTIONAL ACCESSORY	DESCRIPTION / APPLICATION
--------------------	---------------------------

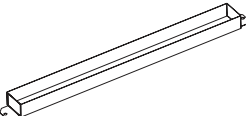
 <p><b>MODEL AEWD5</b></p>	<p><b>EXTENSION CABLE - 5-FT.</b></p> <p>Use where electrical panel is remotely mounted. Extends electrical panel cable an additional 5-feet.</p>
--	---

 <p><b>MODEL ANKD</b></p>	<p><b>NON-DUCT RECIRCULATING KIT</b></p> <p>Use where ducting is not feasible or available. Mount to toe kick or base of a cabinet and attach directly to Model PF6 Flex Blower using 8" round duct. Kit can be rotated so that the exhaust is not directly at your feet. Includes recirculation filter and decorative cover plate.</p>
---	---

 <p><b>MODEL AFCD</b></p>	<p><b>RECIRCULATION FILTER REPLACEMENT</b></p> <p>Replacement filter for ANKD Non-Duct Recirculating Kit. Use to effectively capture cooking contaminants.</p>
---	--

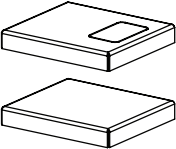
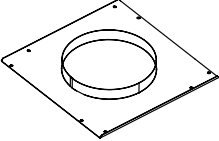
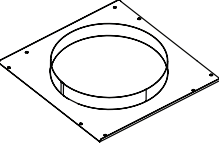
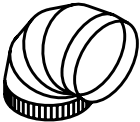

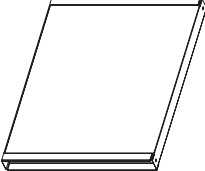
 <p><b>MODEL AVDKD8</b></p>	<p><b>1-7/8" X 19" TO 8" ROUND TRANSITION</b></p> <p>Rectangular to 8" round transition for left, right, or rear exhaust - using Model PF6 Flex Blower. Can be attached to downdraft unit or rectangular duct (AEDD2). Includes S-clips for easy, secure attachment.</p>
---	--

 <p><b>MODEL AVDKD10</b></p>	<p><b>1-7/8" X 19" TO 10" ROUND TRANSITION</b></p> <p>Rectangular to 10" round transition for left, right, or rear exhaust - using Model PF6 Flex Blower. Can be attached to downdraft unit or rectangular duct (AEDD2). Includes S-clips for easy, secure attachment.</p>
--	--

 <p><b>MODEL AVDKD219</b></p>	<p><b>RECTANGULAR ADAPTOR FOR 1-7/8" X 19"</b></p> <p>Use to connect 1-7/8" x 19" rectangular duct directly to downdraft when using side or rear exhaust.</p>
---	---

# OPTIONAL ACCESSORIES • MODELS D49M30SB, D49M36SB, D49M48SB

**(CONTINUED)**

OPTIONAL ACCESSORY	DESCRIPTION / APPLICATION
 <p><b>MODEL ATTD1</b></p>	<p><b>END CAP TRIM EXTENSION +1" WIDTH - LH &amp; RH</b></p> <p>Use left and right to increase the overall trim width by 1" - to 31", 37" and 49".</p>
 <p><b>MODEL ACVPD8</b></p>	<p><b>FRONT PANEL ROUGH-IN PLATE - 8" ROUND</b></p> <p>Use where 8" round duct or elbow attaches to front of airbox (Model PF6 remote blower installation).</p>
 <p><b>MODEL ACVPD10</b></p>	<p><b>FRONT PANEL ROUGH-IN PLATE - 10" ROUND</b></p> <p>Use where 10" round duct or elbow attaches to front of airbox (exterior or in-line blower installation).</p>
 <p><b>MODEL 432 - 8" RD. MODEL 418 - 10" RD.</b></p>	<p><b>90° DUCTWORK ELBOW</b></p> <p>Adjustable from straight to 90°. Galvanized steel construction.</p>
 <p><b>MODEL 408 - 8" RD. MODEL 410 - 10" RD.</b></p>	<p><b>STRAIGHT ROUND DUCT - 2-FT.</b></p> <p>Galvanized steel construction.</p>
 <p><b>MODEL AEDD2</b></p>	<p><b>RECTANGULAR DUCT - 2-FT. SECTIONS (1-7/8" X 19")</b></p> <p>Galvanized steel construction.</p>