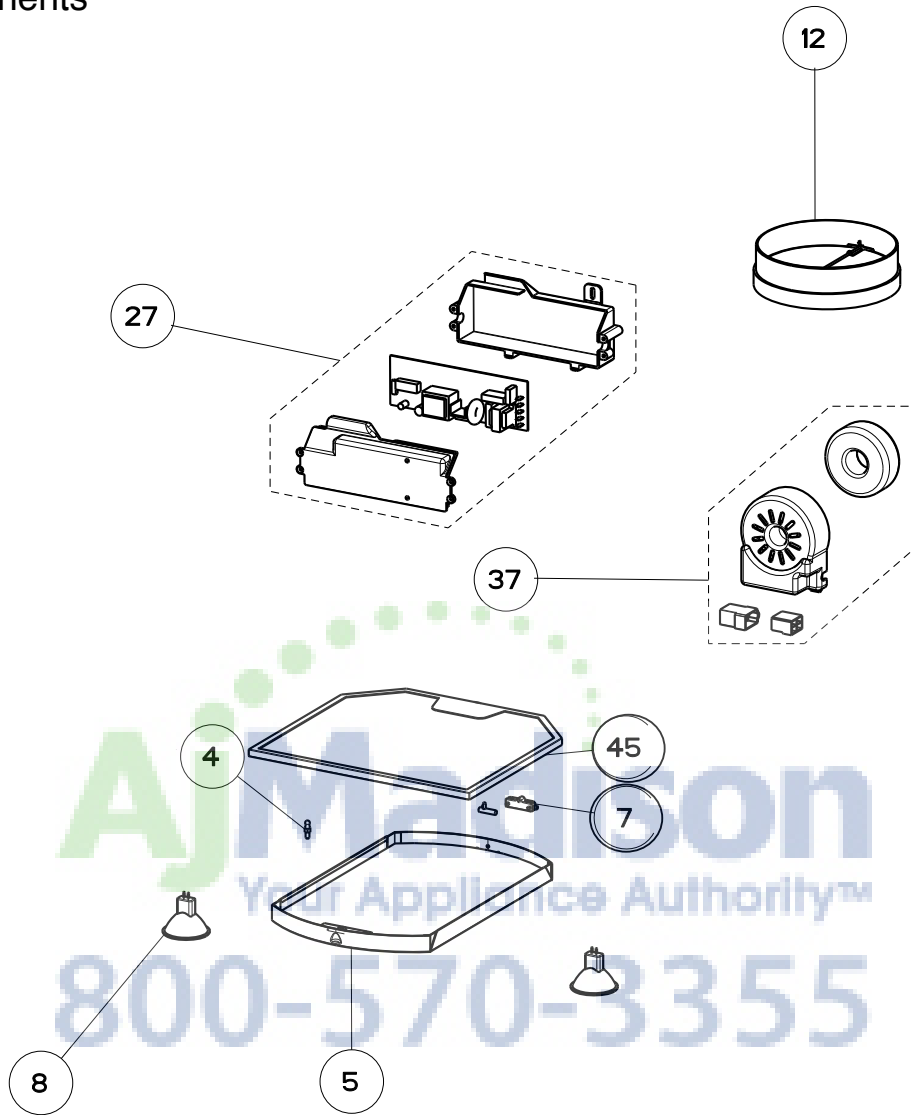


# CYLINDRA

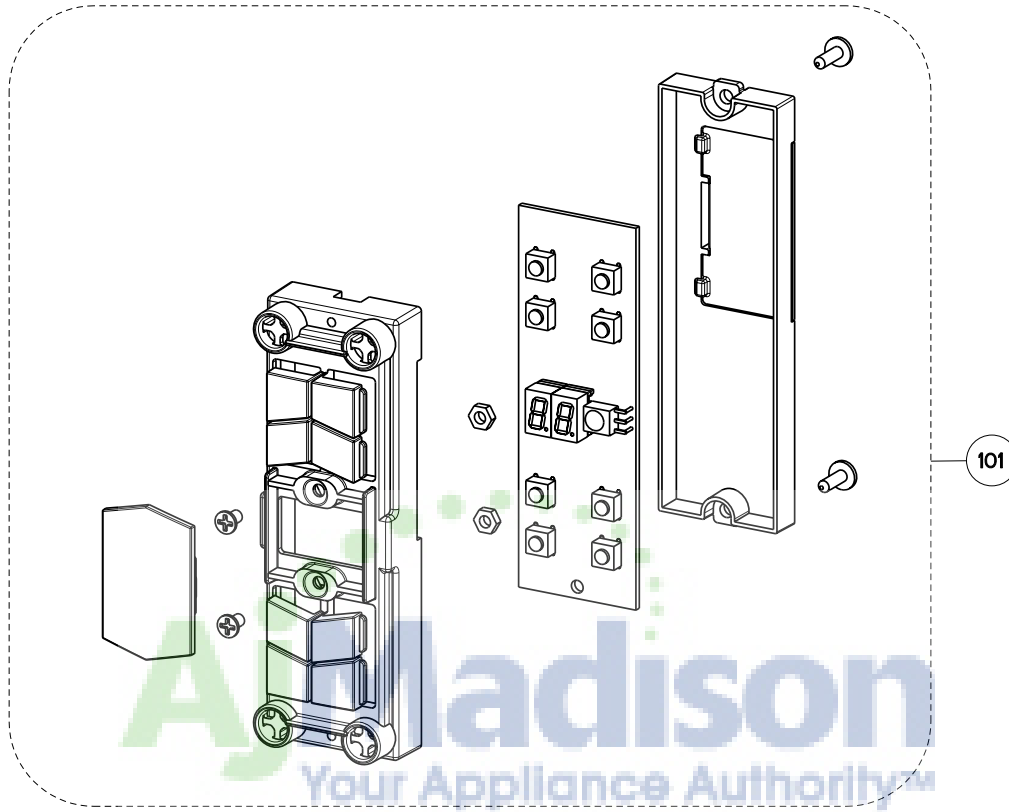
## body components



|     | Model Number      | CYLN15SS /<br>110.0166.589 |          |
|-----|-------------------|----------------------------|----------|
| Key | Description       |                            | Qty Req. |
| 4   | Hinge Pin Kit (2) | 133.0017.004               | 1        |
| 5   | Perimetric Panel  | 133.0021.010               | 1        |
| 7   | Perimetric Hinge  | 133.0017.597               | 1        |
| 8   | Halogen Bulb      | 133.0017.669               | 2        |
| 12  | Damper            | 133.0055.994               | 1        |
| 27  | Control Board     | 133.0052.878               | 1        |
| 37  | Transformer Kit   | 133.0052.516               | 1        |
| 45  | Grease Filter     | 133.0017.598               | 1        |

# CYLINDRA

control components

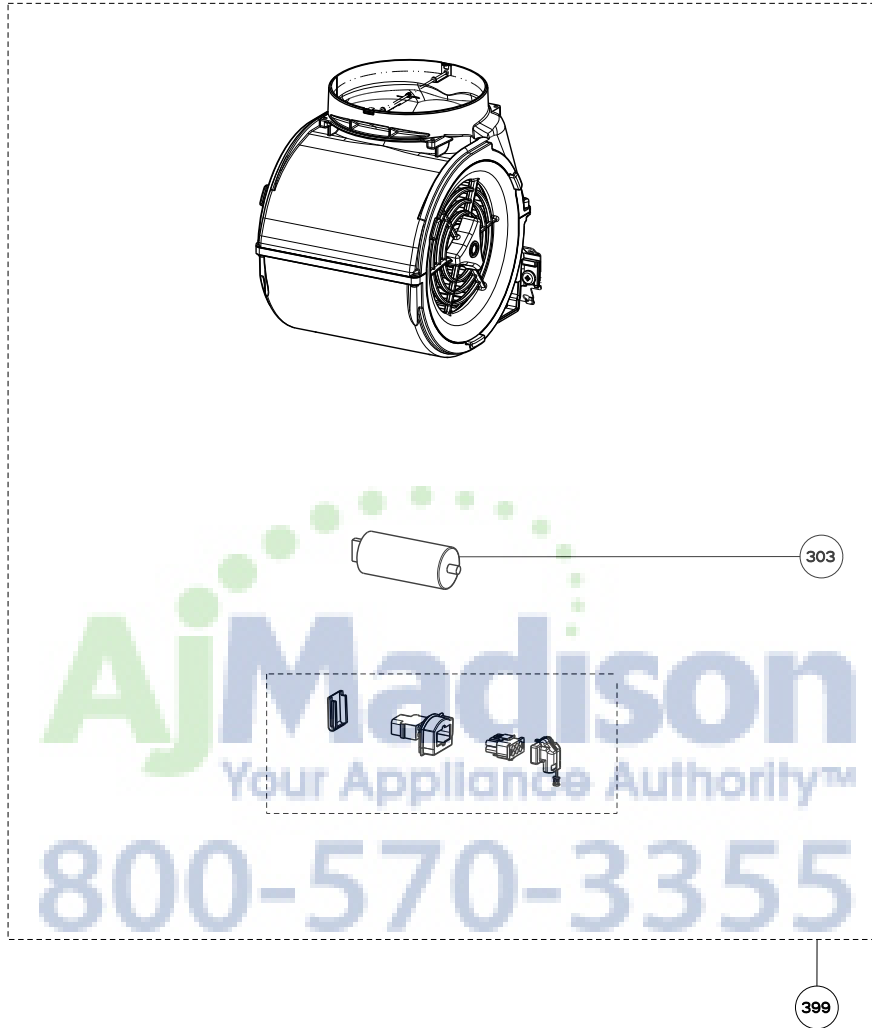


800-570-3355

|     | Model Number | CYLN15SS / 110.0166.589 |          |
|-----|--------------|-------------------------|----------|
| Key | Description  |                         | Qty Req. |
| 101 | Control Kit  | 133.0059.120            | 1        |

# CYLINDRA

## motor components



|     | Model Number | CYLN15SS / 110.0166.589 |          |
|-----|--------------|-------------------------|----------|
| Key | Description  |                         | Qty Req. |
| 303 | Capacitor    | 133.0056.183            | 1        |
| 399 | motor group  | 133.0056.182            | 1        |