

CW24/S



**FEATURES**

Gentle heat warms cups, dishes

50 lb. capacity - room for 40 cups!

Hidden interior control panel

Removable non-slip mat

Push to open

Black glass and stainless steel options

Rigorously tested in our U.S. manufacturing facilities for decades of use

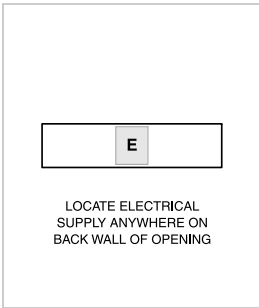
Exceptional 24/7 support from our Customer Care team in Madison



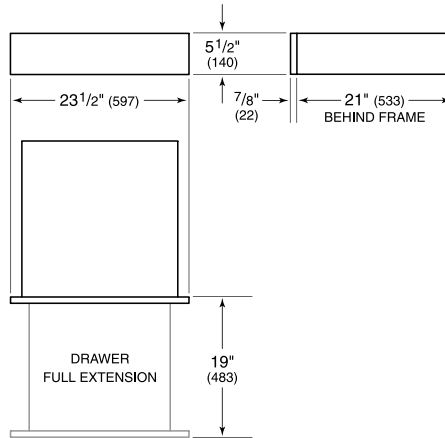
**PRODUCT SPECIFICATIONS**

Model	CW24/S
Dimensions	23 1/2"W x 5 1/2"H x 21"D
Weight	60 lb
Electrical Supply	120 VAC, 60 Hz
Electrical Service	10 amp dedicated circuit
Overall Capacity	0.8 cu ft
Power Cord Length	3 feet

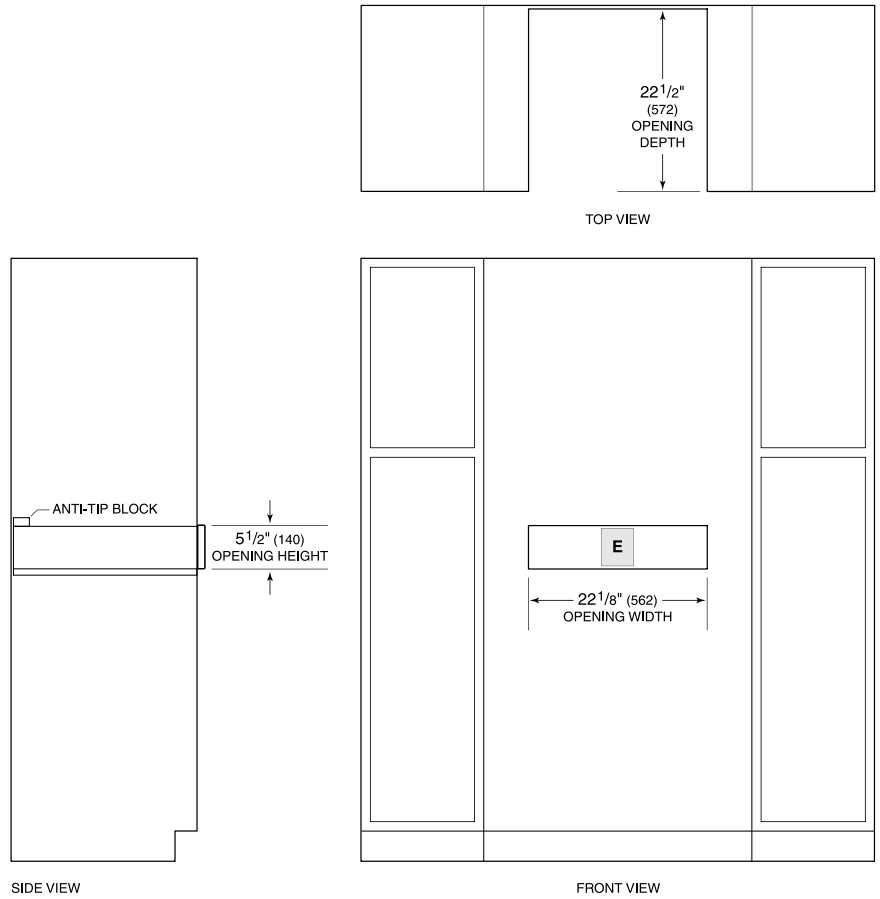
**ELECTRICAL**



**DIMENSIONS**



**STANDARD INSTALLATION**



CW24/S



**FEATURES**

Gentle heat warms cups, dishes

50 lb. capacity - room for 40 cups!

Hidden interior control panel

Removable non-slip mat

Push to open

Black glass and stainless steel options

Rigorously tested in our U.S. manufacturing facilities for decades of use

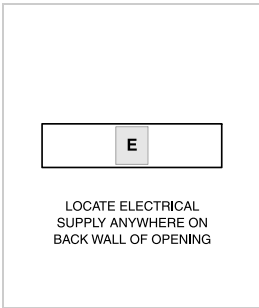
Exceptional 24/7 support from our Customer Care team in Madison



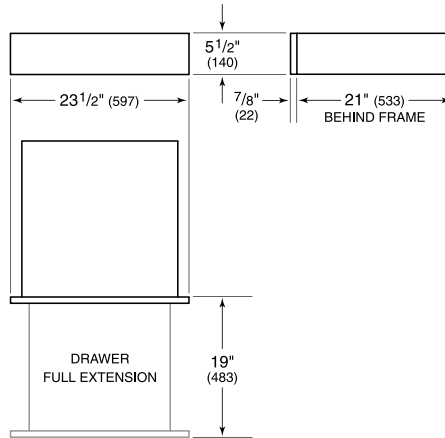
**PRODUCT SPECIFICATIONS**

Model	CW24/S
Dimensions	23 1/2"W x 5 1/2"H x 21"D
Weight	60 lb
Electrical Supply	120 VAC, 60 Hz
Electrical Service	10 amp dedicated circuit
Overall Capacity	0.8 cu ft
Power Cord Length	3 feet

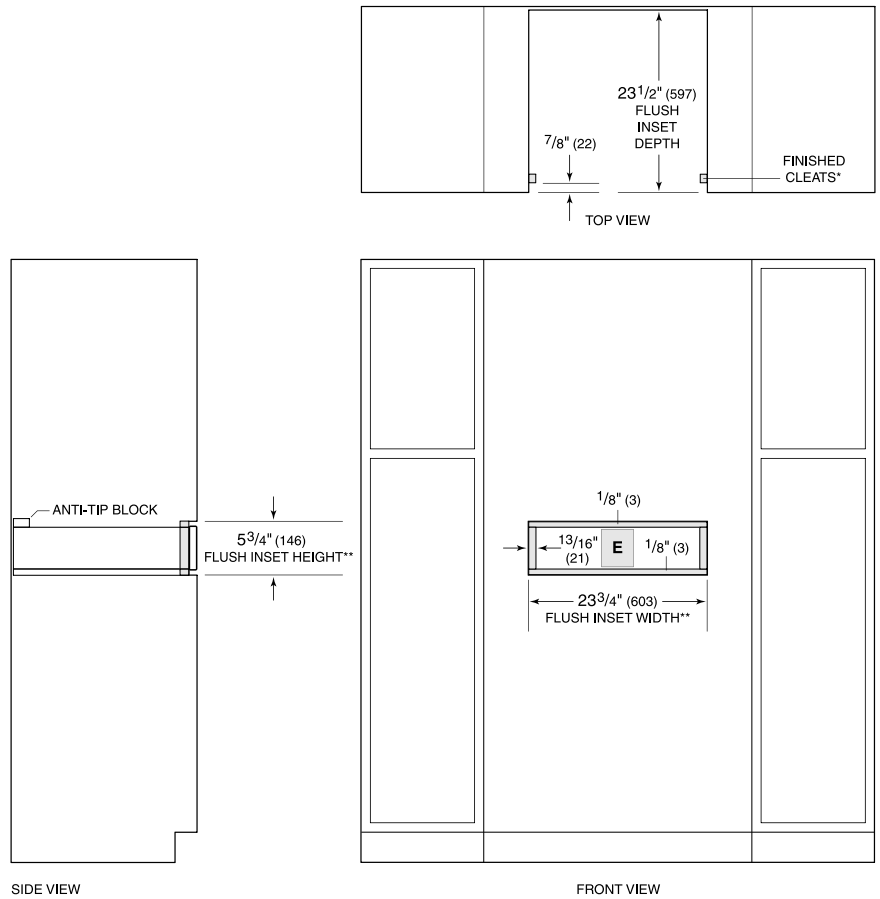
**ELECTRICAL**



**DIMENSIONS**



**FLUSH INSTALLATION**



\*Will be visible and should be finished to match cabinetry.  
 \*\*Dimension provides minimum reveals.