

PRODUCT SPECIFICATIONS

Elkay Crosstown® Stainless Steel 33-7/8" x 17" x 9" Double Bowl Farmhouse Sink Kit for Interchangeable Apron. Sink is manufactured from 16 gauge 304 Stainless Steel with a Polished Satin finish, Rear Center drain placement, and Sound Guard. Interchangeable Aprons are sold separately.



*Apron sold separately.

Installation Type:	Apron Front
Material:	304 Stainless Steel
Special Features:	Interchangeable Apron
Finish:	Polished Satin
Gauge:	16
Sound Deadening:	Sound Guard
Number of Bowls:	2
Sink Dimensions:	35-7/8" x 20-5/16" x 9"
Bowl 1 Dimensions:	16-7/16" x 17" x 9"
Bowl 2 Dimensions:	16-7/16" x 17" x 9"
Drain Size:	3-1/2" (89mm)
Drain Location:	Rear Center
Minimum Cabinet Size:	36"
Mounting Hardware:	Part # 54300008 included

Included with Product: CTFX234179 sink, CTFXFBG1316 grid, CTFXFBG1816 grid, two LKDD drains

AMERICAN PRIDE. A LIFETIME TRADITION.

Like your family, the Elkay family has values and traditions that endure. For almost a century, Elkay has been a family-owned and operated company, providing thousands of jobs that support our families and communities.

Product Compliance: ASME A112.19.3/CSA B45.4
Accessory: ASME A112.18.2/CSA B125.2

[Clean and Care Manual \(PDF\)](#)
[Installation Instructions \(PDF\)](#)
[Warranty \(PDF\)](#)

Special Note: Apron(s) for Crosstown Farmhouse Sink with Interchangeable Apron feature sold separately.

Interchangeable Apron Color Options

(sold separately)

Stainless Steel:



Champagne
CTXACP
(CP)

Graphite
CTXAGT
(GT)

Platinum
CTXAPL
(PL)



Sapphire
CTXASP
(SP)



Scarlet
CTXASC
(SC)

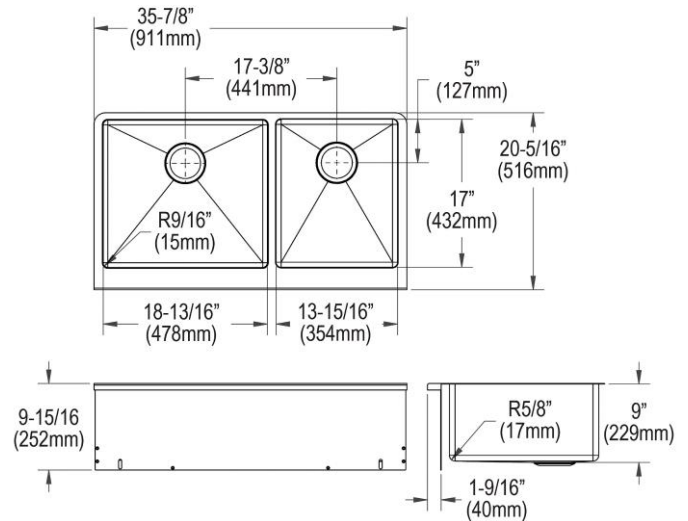


Sunset
CTXASN
(SN)

Fireclay:



Glacier
CTXAFCGL
(GL)



PART: _____ QTY: _____

PROJECT: _____

CONTACT: _____

DATE: _____

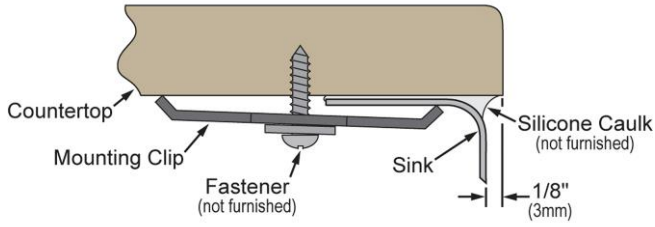
NOTES: _____

APPROVAL: _____

In keeping with our policy of continuing product improvement, Elkay reserves the right to change product specifications without notice. Please visit elkay.com for the most current version of Elkay product specification sheets. This specification describes an Elkay product with design, quality, and functional benefits to the user. When making a comparison of other producers' offerings, be certain these features are not overlooked.

Installation Profile:

1/8" OVERHANG



Designed to affix to the underside of any solid surface countertop.

OPTIONAL ACCESSORIES

Drain:	LK99S, LK35
Faucet:	LKAV4061, LKEC2031, LKEC2037, LKAV4032

In keeping with our policy of continuing product improvement, Elkay reserves the right to change product specifications without notice. Please visit elkay.com for the most current version of Elkay product specification sheets. This specification describes an Elkay product with design, quality, and functional benefits to the user. When making a comparison of other producers' offerings, be certain these features are not overlooked.